



US00D909490S

(12) **United States Design Patent** (10) **Patent No.:** **US D909,490 S**
DeMarco et al. (45) **Date of Patent:** **** *Feb. 2, 2021**

(54) **GAMING MACHINE**

(71) Applicant: **ARISTOCRAT TECHNOLOGIES AUSTRALIA PTY LIMITED**, North Ryde (AU)

(72) Inventors: **Dominic J. DeMarco**, Round Rock, TX (US); **Bruce Edward Urban**, Las Vegas, NV (US); **James Franklin Stair**, Las Vegas, NV (US); **Ariel David Turgel**, San Francisco, CA (US); **Daniel Harden**, Palo Alto, CA (US); **Alexander Abele**, Aalen (DE)

(73) Assignee: **Aristocrat Technologies Australia Pty Ltd.**, North Ryde (AU)

(*) Notice: This patent is subject to a terminal disclaimer.

(**) Term: **15 Years**

(21) Appl. No.: **29/684,899**

(22) Filed: **Mar. 25, 2019**

(51) **LOC (13) Cl.** **21-03**

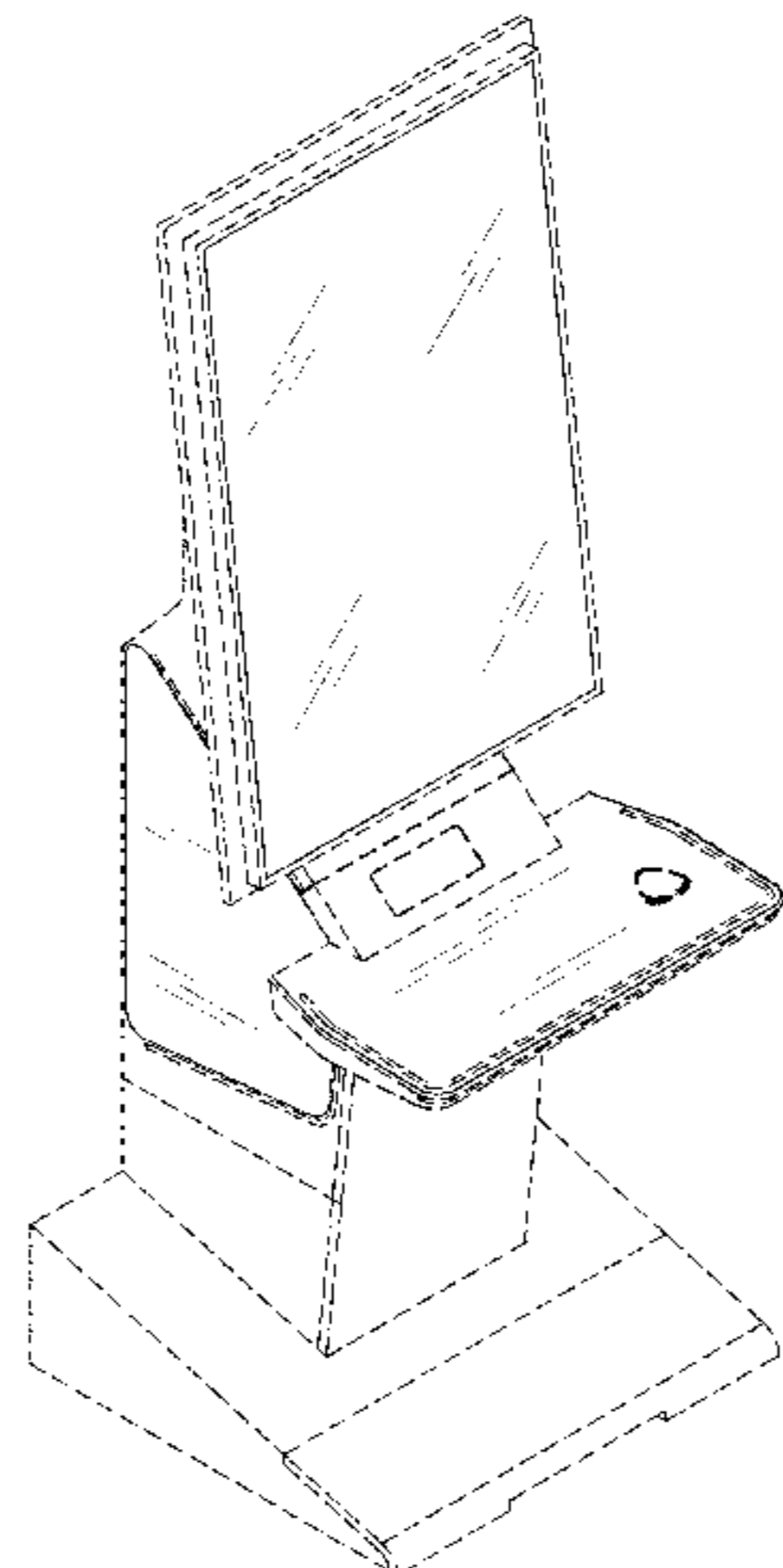
(52) **U.S. Cl.**
 USPC **D21/369**

(58) **Field of Classification Search**
 USPC D21/369, 370, 371, 385, 329, 325, 394; D14/307, 172, 129, 325, 401, 371, 126, D14/439, 432, 450, 128, 375, 248, 374, D14/341, 138 G, 127; 463/28, 13, 11, 463/16, 20, 25, 31, 46, 23, 30, 17, 36, 29, 463/42, 34, 32, 35, 19, 21, 22; 273/292, 273/203, 138.2, 143 R, 142 R, 138.1; D19/60; D16/226; D8/335, 331, 334; D26/141; D7/641
 CPC G07F 17/32; G07F 17/34; G07F 17/3211; G07F 17/3244; G07F 17/3267
 See application file for complete search history.

D479,243 S 9/2003 Ohashi
 D508,719 S 8/2005 de Haas
 D513,044 S 12/2005 Morrison
 6,997,810 B2 2/2006 Cole
 D531,677 S 11/2006 Mallory
 D546,893 S 7/2007 Yamashita
 D560,724 S 1/2008 Johnson
 D560,725 S 1/2008 Johnson
 D562,338 S 2/2008 Keohane
 D572,314 S 7/2008 Vallejo
 D579,456 S 10/2008 Chen
 D587,319 S 2/2009 Moises Deiab
 D599,858 S 9/2009 Lesley
 D599,859 S 9/2009 Lesley
 D604,773 S 11/2009 De Viveiros Ortiz
 D612,432 S 3/2010 De Viveiros Ortiz
 D613,802 S 4/2010 Meyers
 D619,177 S 7/2010 Lee
 D622,781 S 8/2010 Lesley
 D626,182 S 10/2010 Cole
 D628,208 S 11/2010 Potemski
 D646,337 S 10/2011 Kelly
 D652,454 S 1/2012 Yopez
 D666,625 S 9/2012 Gilmore
 D668,261 S 10/2012 Arnold
 D673,620 S 1/2013 Johnson
 D673,621 S * 1/2013 Johnson D21/369
 D677,736 S 3/2013 Dorn
 D678,956 S 3/2013 Lesley
 D679,722 S 4/2013 Ray
 D685,033 S 6/2013 Wudtke
 D689,899 S 9/2013 Lee
 D691,665 S 10/2013 Chudek
 D693,841 S 11/2013 Velasco
 D695,733 S 12/2013 Damhuis
 D697,558 S 1/2014 Myers
 D704,273 S 5/2014 Chudek
 D706,741 S 6/2014 Myers
 D707,646 S 6/2014 Kim
 D713,841 S 9/2014 Lim
 8,832,598 B2 9/2014 Hirata
 D719,616 S 12/2014 Inoue
 D723,626 S * 3/2015 Vasquez D21/370
 D727,431 S 4/2015 Themann
 D728,585 S 5/2015 Lee
 D730,993 S 6/2015 Castro
 D732,520 S 6/2015 Themann
 D734,733 S 7/2015 Park
 D736,171 S 8/2015 Lee
 D740,887 S 10/2015 Randazzo
 D740,888 S 10/2015 DePalma
 D742,974 S 11/2015 Lesley
 D749,342 S 2/2016 Escandon

(56) **References Cited**
 U.S. PATENT DOCUMENTS

D415,124 S 10/1999 Rooyakkers
 D428,864 S 8/2000 Rooyakkers
 D464,377 S 10/2002 Wurz



Office Action dated Jun. 12, 2020 for U.S. Appl. No. 29/684,929 (pp. 1-10).
Office Action dated Jun. 12, 2020 for U.S. Appl. No. 29/684,934 (pp. 1-10).
Office Action dated Jun. 12, 2020 for U.S. Appl. No. 29/684,936 (pp. 1-10).
Office Action dated Jun. 12, 2020 for U.S. Appl. No. 29/684,941 (pp. 1-12).
Office Action dated Jul. 10, 2020 for U.S. Appl. No. 29/684,900 (pp. 1-10).
Office Action dated Jul. 10, 2020 for U.S. Appl. No. 29/684,938 (pp. 1-13).
Notice of Allowance dated Aug. 5, 2020 for U.S. Appl. No. 29/678,496 (pp. 1-7).
Office Action dated Jun. 1, 2020 for U.S. Appl. No. 29/684,806 (pp. 1-9).
Office Action dated Jun. 1, 2020 for U.S. Appl. No. 29/684,807 (pp. 1-8).
Office Action dated Jun. 1, 2020 for U.S. Appl. No. 29/684,809 (pp. 1-7).
Office Action dated Jun. 1, 2020 for U.S. Appl. No. 29/684,811 (pp. 1-7).
Office Action dated Jun. 12, 2020 for U.S. Appl. No. 29/684,912 (pp. 1-10).
Corrected Notice of Allowability dated Aug. 17, 2020 for U.S. Appl. No. 29/678,496 (pp. 1-4).

* cited by examiner

Primary Examiner — Ryan Harvey

(74) *Attorney, Agent, or Firm* — Armstrong Teasdale LLP

(57) **CLAIM**

We claim the ornamental design for a gaming machine, as shown and described.

DESCRIPTION

FIG. 1 is a front perspective view of a gaming machine showing our new design;
FIG. 2 is a front view of the gaming machine shown in FIG. 1;
FIG. 3 is a back view of the gaming machine shown in FIG. 1;
FIG. 4 is a right side view of the gaming machine shown in FIG. 1;
FIG. 5 is a left side view of the gaming machine shown in FIG. 1;
FIG. 6 is a top view of the gaming machine shown in FIG. 1; and,
FIG. 7 is a bottom view of the gaming machine shown in FIG. 1.
The broken line showing of portions of the gaming machine depicts environment and forms no part of the claimed design.

1 Claim, 7 Drawing Sheets

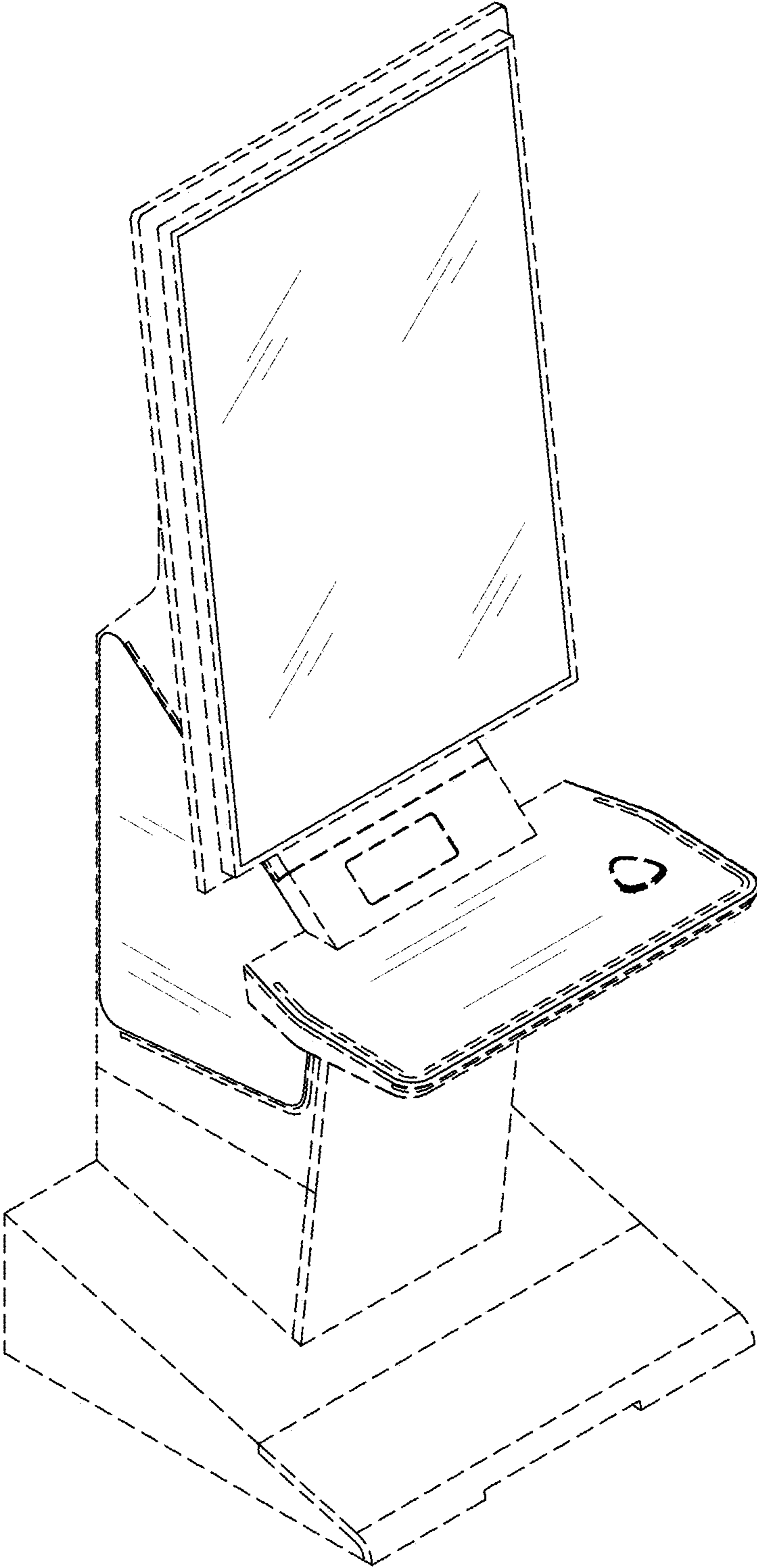


FIG. 1

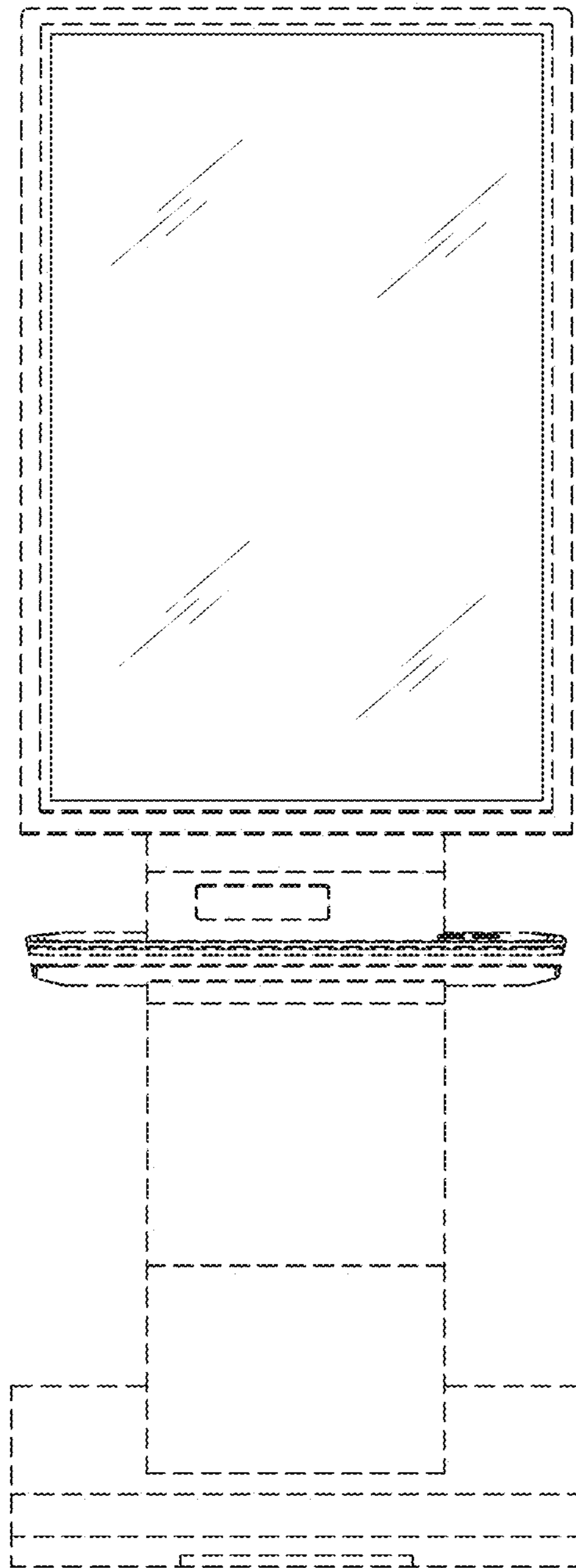


FIG. 2

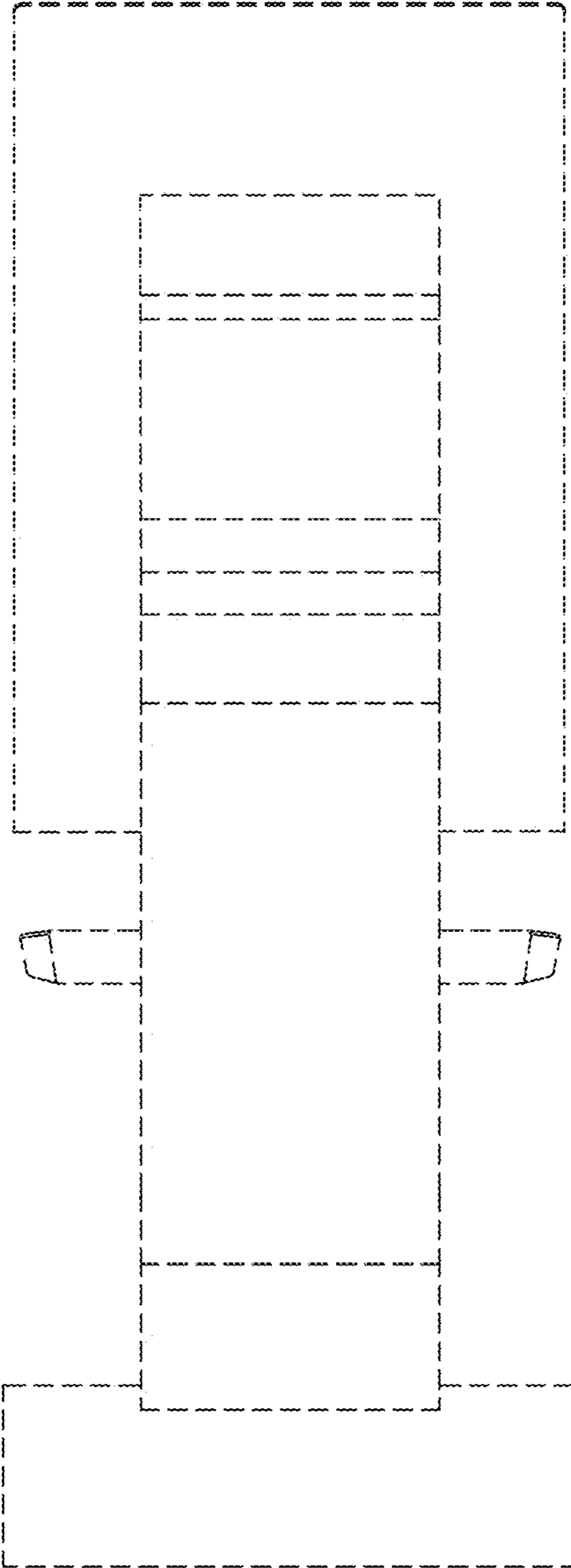


FIG. 3

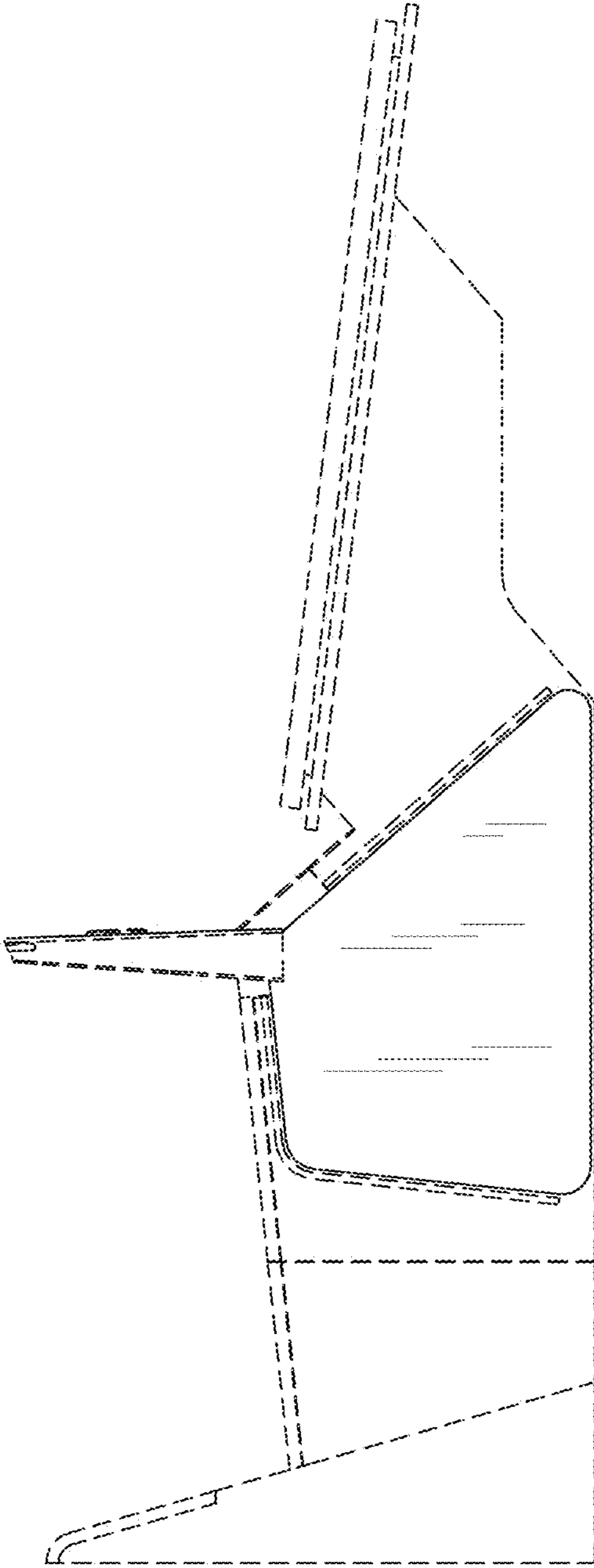


FIG. 4

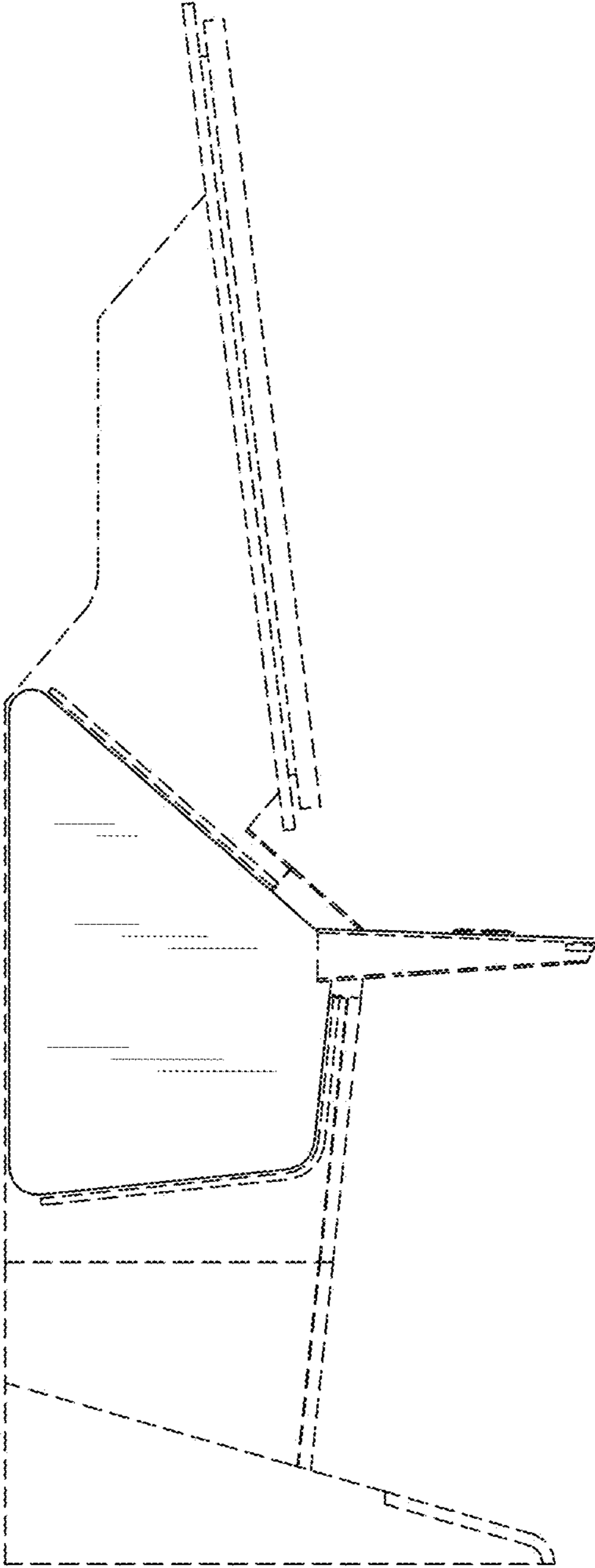


FIG. 5

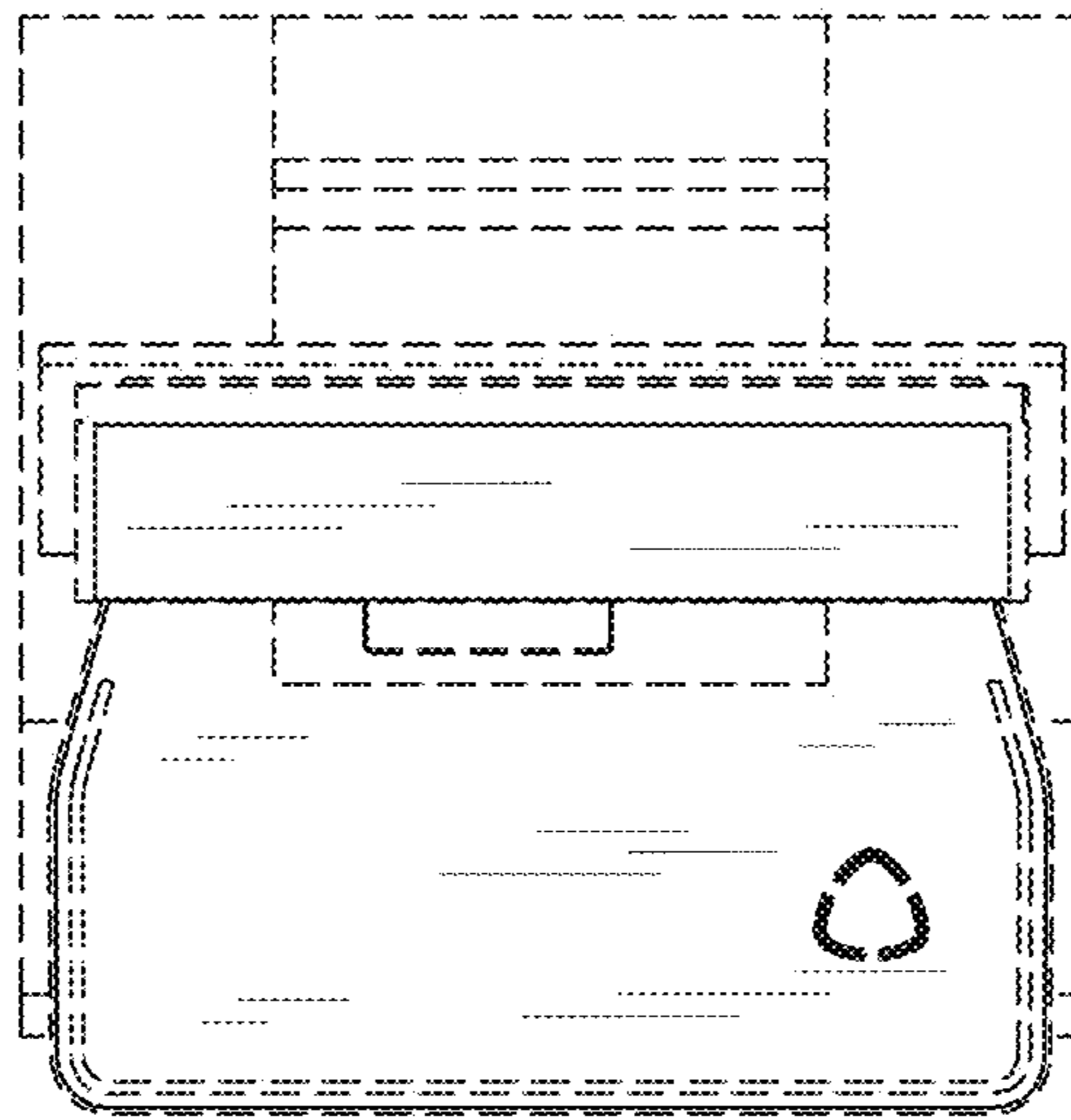


FIG. 6

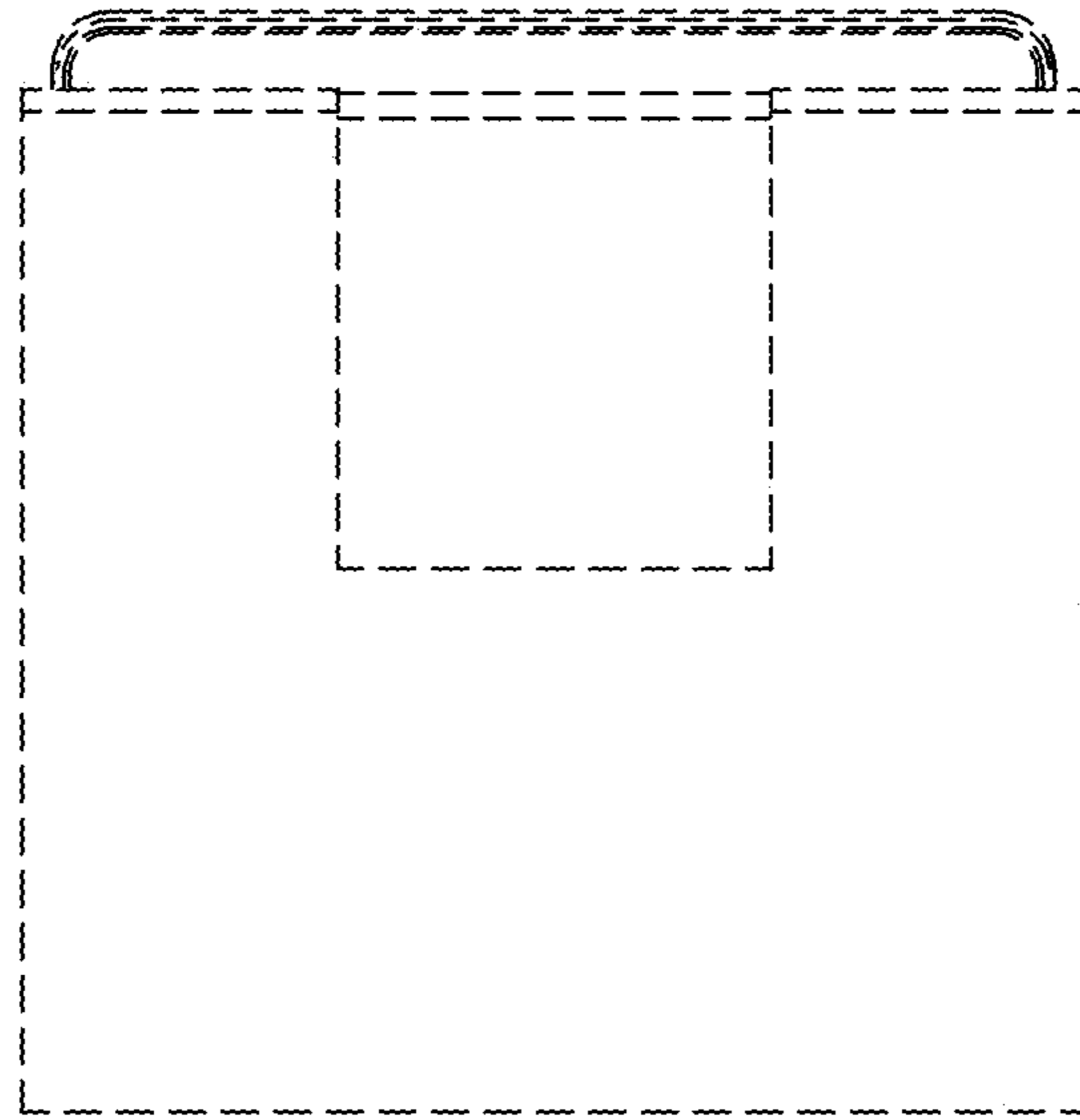


FIG. 7