



US00D909487S

(12) **United States Design Patent** (10) **Patent No.:** **US D909,487 S**
Whitaker et al. (45) **Date of Patent:** **** Feb. 2, 2021**

(54) **CONTROLLER**
(71) Applicant: **Microsoft Corporation**, Redmond, WA (US)
(72) Inventors: **Ryan Eugene Whitaker**, Seattle, WA (US); **Christopher H. Kujawski**, Bellevue, WA (US); **Nicolas A. Denhez**, Seattle, WA (US); **Erika Kelter**, Seattle, WA (US); **Carl J. Ledbetter**, Mercer Island, WA (US)
(73) Assignee: **Microsoft Corporation**, Redmond, WA (US)
(**) Term: **15 Years**
(21) Appl. No.: **29/716,478**
(22) Filed: **Dec. 10, 2019**
(51) **LOC (13) Cl.** **21-01**
(52) **U.S. Cl.**
USPC **D21/333**
(58) **Field of Classification Search**
USPC D14/218, 400-401, 417, 454-457; D21/333
CPC A63F 13/22; A63F 13/24; A63F 13/40; A63F 13/42; A63F 13/98; G06F 3/0338
See application file for complete search history.

D767,038 S 9/2016 Kujawski et al.
D768,784 S 10/2016 Kujawski et al.
D770,568 S 11/2016 Kujawski et al.
D772,987 S 11/2016 Kujawski et al.
D772,988 S 11/2016 Kujawski et al.
D773,561 S 12/2016 Kujawski et al.
D786,251 S 5/2017 Chatterjee et al.
D788,853 S 6/2017 Chatterjee et al.
D791,880 S 7/2017 Chatterjee et al.
D794,129 S 8/2017 Kujawski et al.
D795,350 S 8/2017 Chatterjee et al.
D795,351 S 8/2017 Chatterjee et al.
D795,960 S 8/2017 Chatterjee et al.
D799,599 S 10/2017 Kujawski et al.
D819,641 S * 6/2018 Tsuchiya D21/333
D854,619 S * 7/2019 Konishi D21/333
10,427,037 B2 * 10/2019 Strahle A63F 13/24
10,507,385 B2 * 12/2019 Lyden A63F 13/24
10,773,159 B2 * 9/2020 Schmitz A63F 13/24

* cited by examiner

Primary Examiner — Sandra L Morris
(74) *Attorney, Agent, or Firm* — Banner & Witcoff, Ltd.

(57) **CLAIM**

The ornamental design for a controller, as shown and described.

DESCRIPTION

FIG. 1 is a front perspective view of a controller showing our new design;
FIG. 2 is a front view thereof;
FIG. 3 is a rear view thereof;
FIG. 4 is a top view thereof;
FIG. 5 is a bottom view thereof;
FIG. 6 is a left side view thereof; and,
FIG. 7 is a right side view thereof.
The broken lines depicting the remainder of the controller in FIGS. 1-7 show features that form no part of the claimed design.

1 Claim, 7 Drawing Sheets

(56) **References Cited**
U.S. PATENT DOCUMENTS
D453,932 S * 2/2002 Han D21/333
D522,011 S * 5/2006 Hayes D21/333
D547,763 S * 7/2007 Hayes D21/333
D581,422 S 11/2008 Hayes et al.
D694,830 S * 12/2013 Crowley D21/333
D708,615 S * 7/2014 Delrue D21/333
D709,499 S 7/2014 Morris et al.
D709,882 S 7/2014 Morris et al.
D765,788 S 9/2016 Kujawski et al.

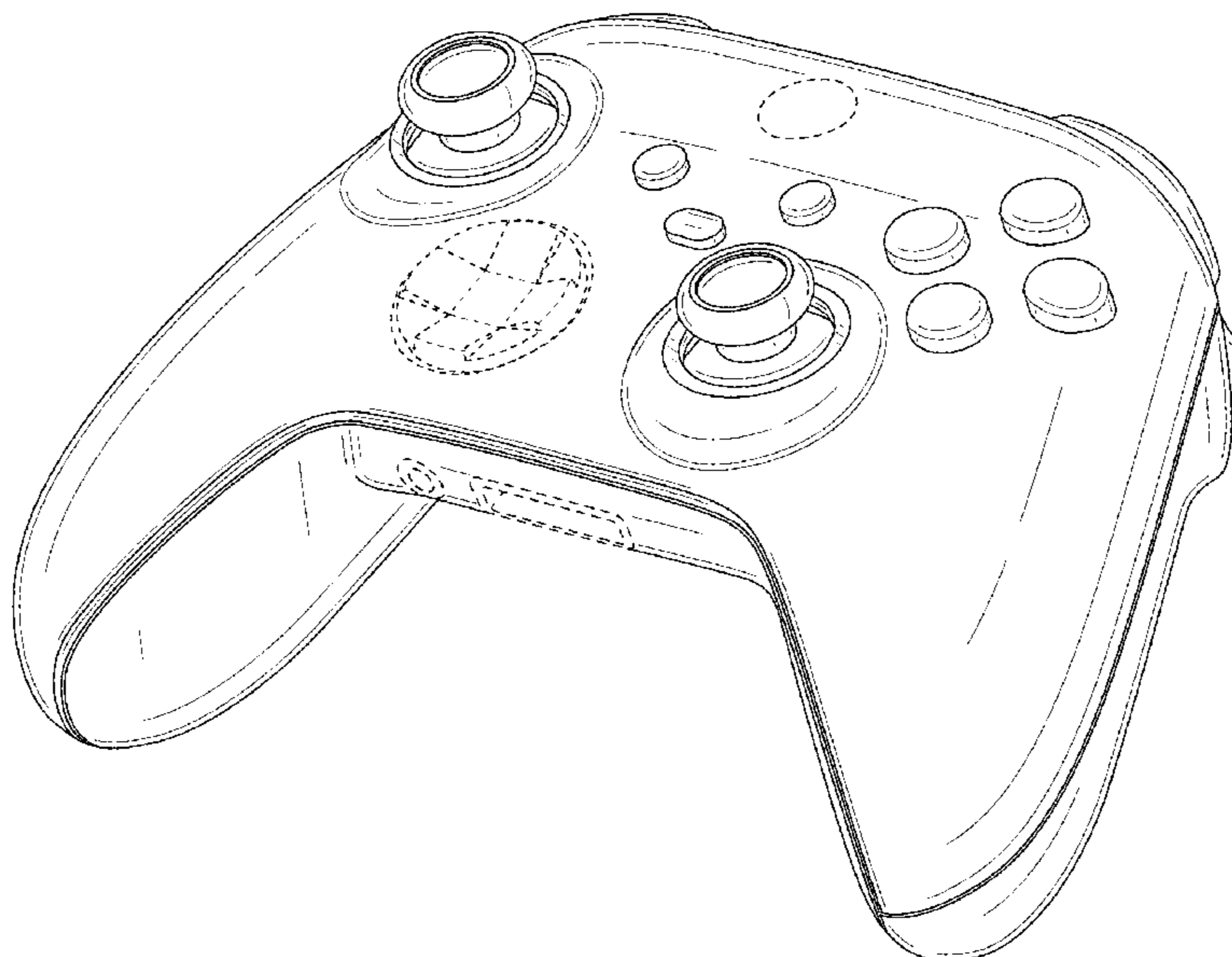




FIG. 1

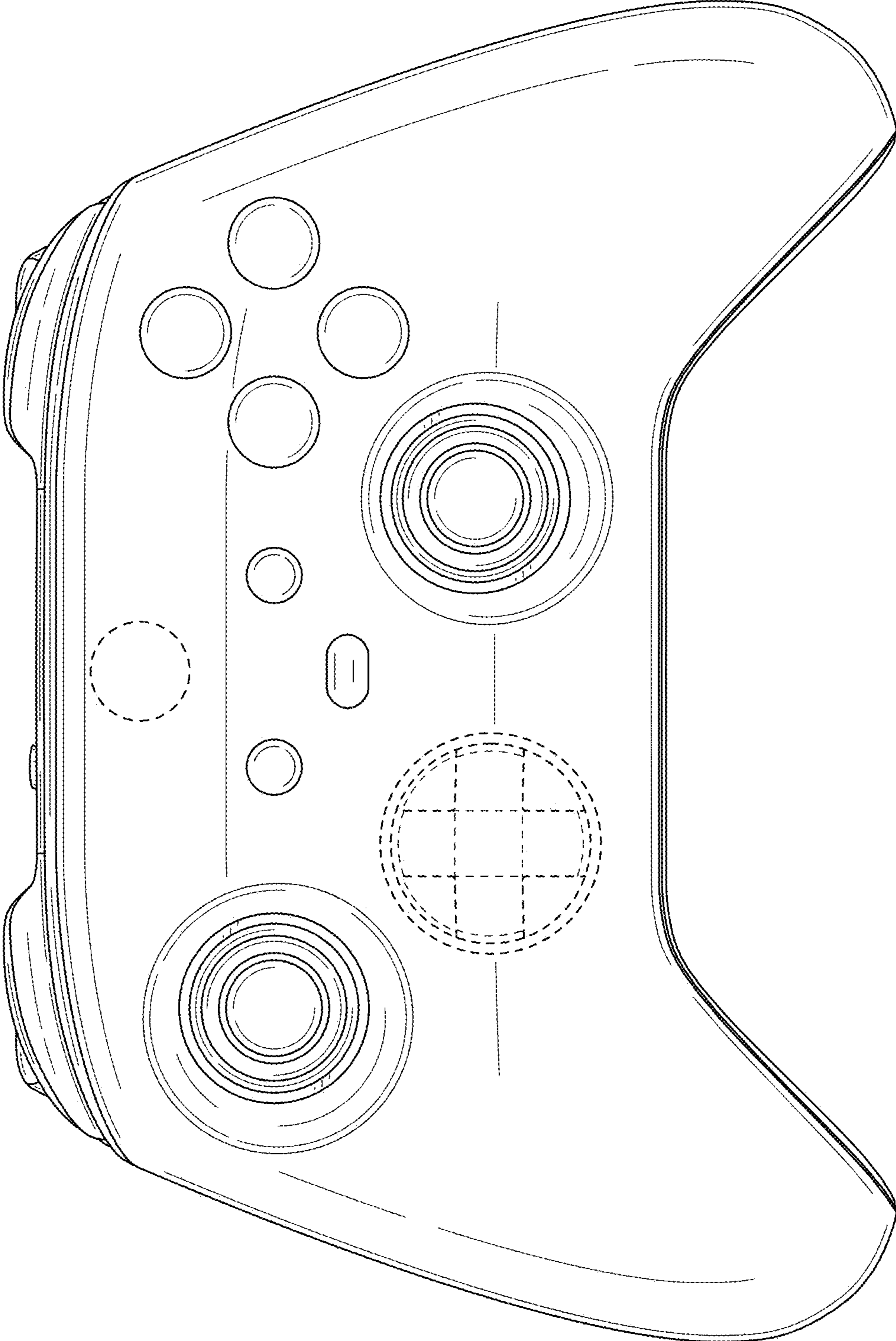


FIG. 2

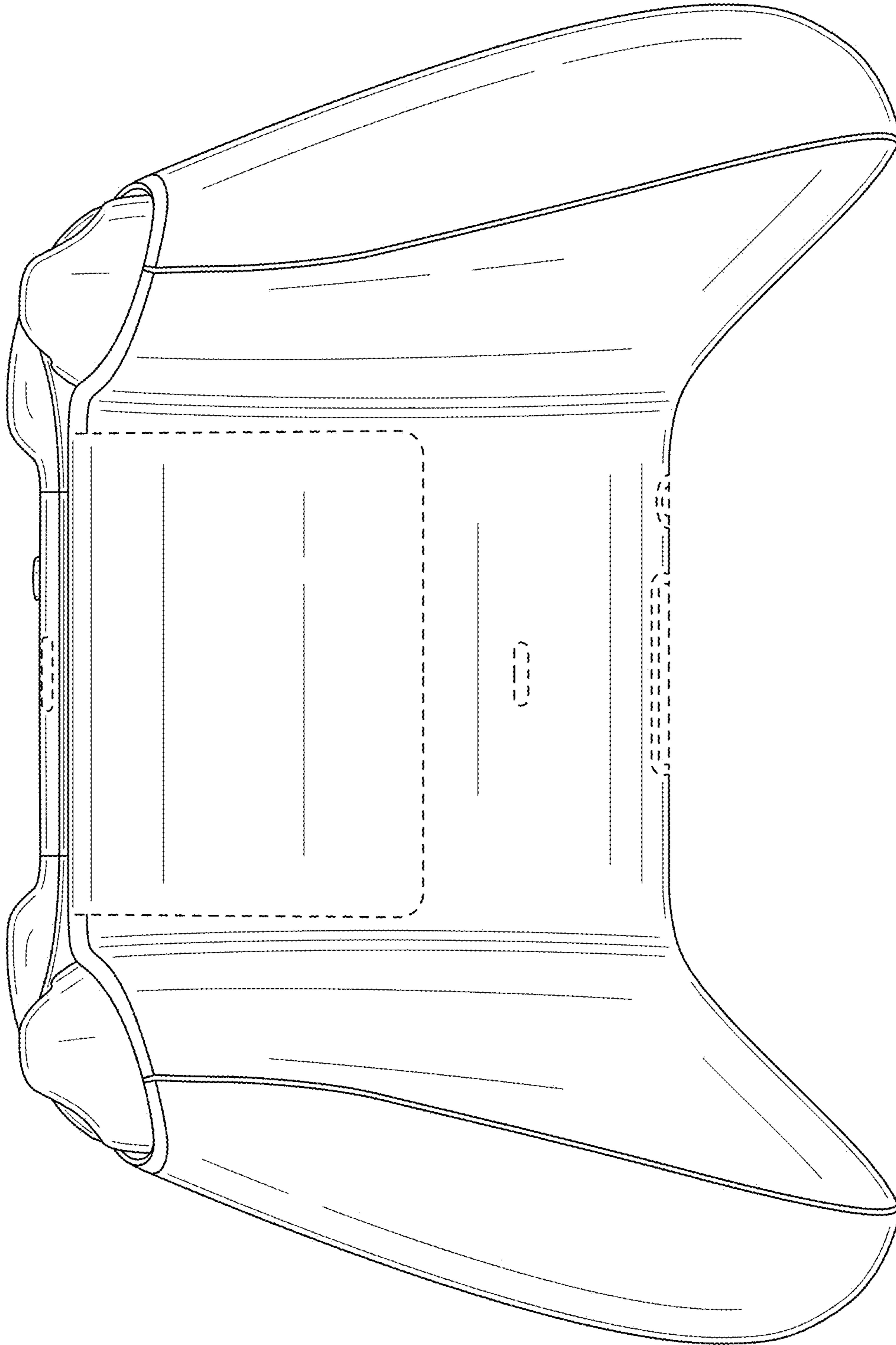


FIG. 3

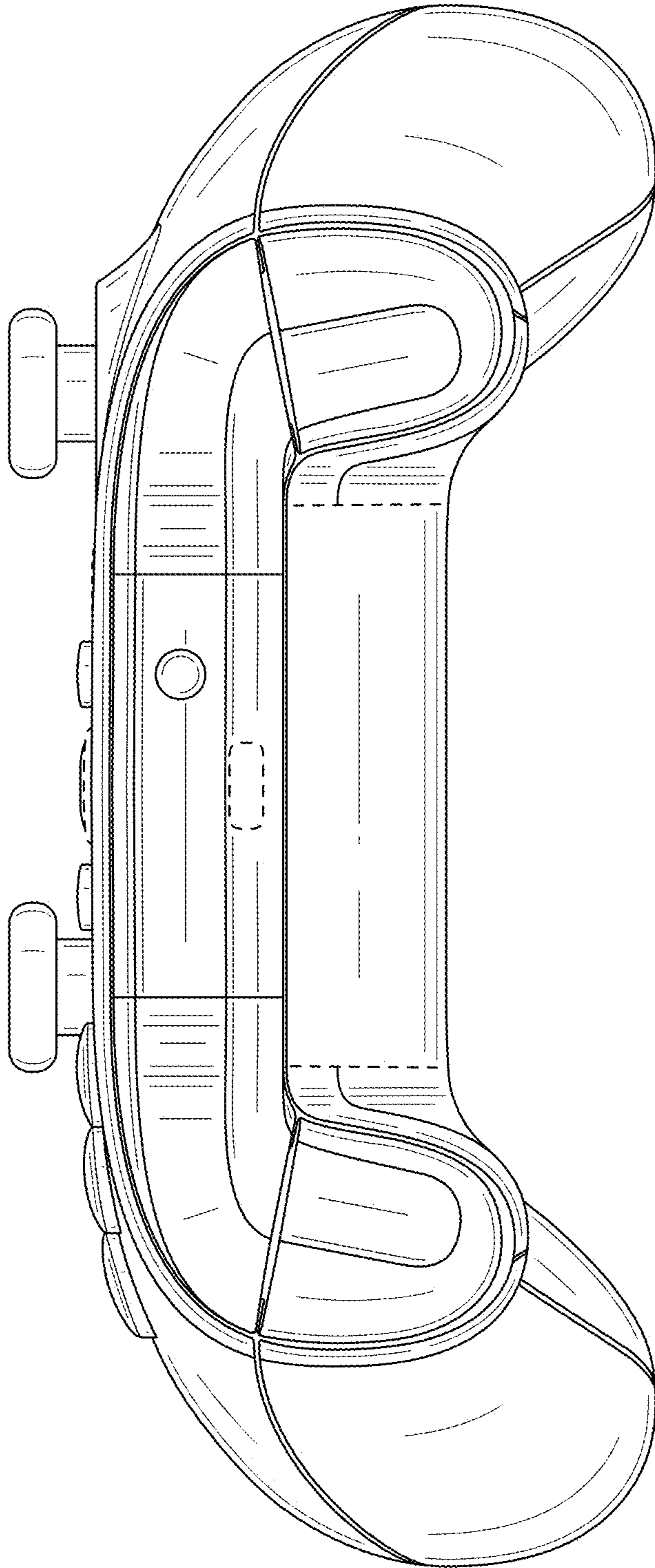


FIG. 4

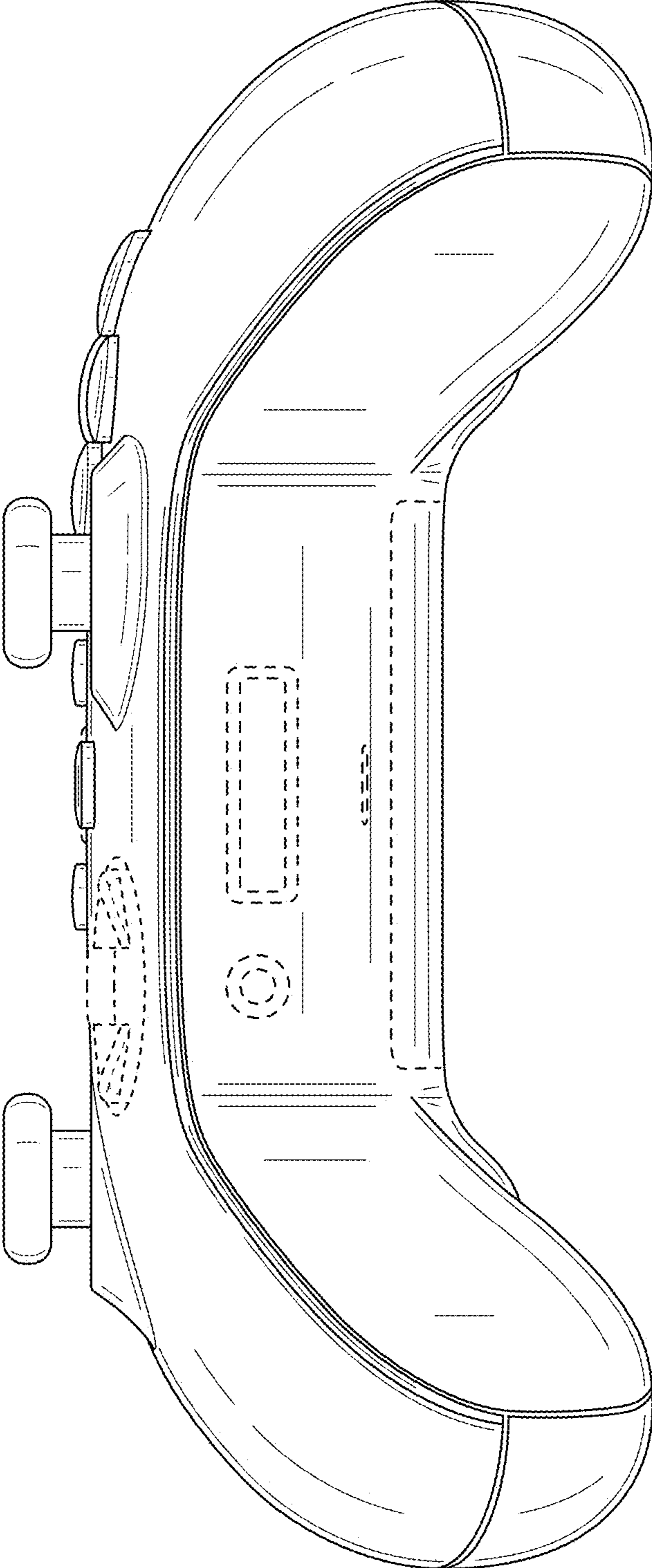


FIG. 5

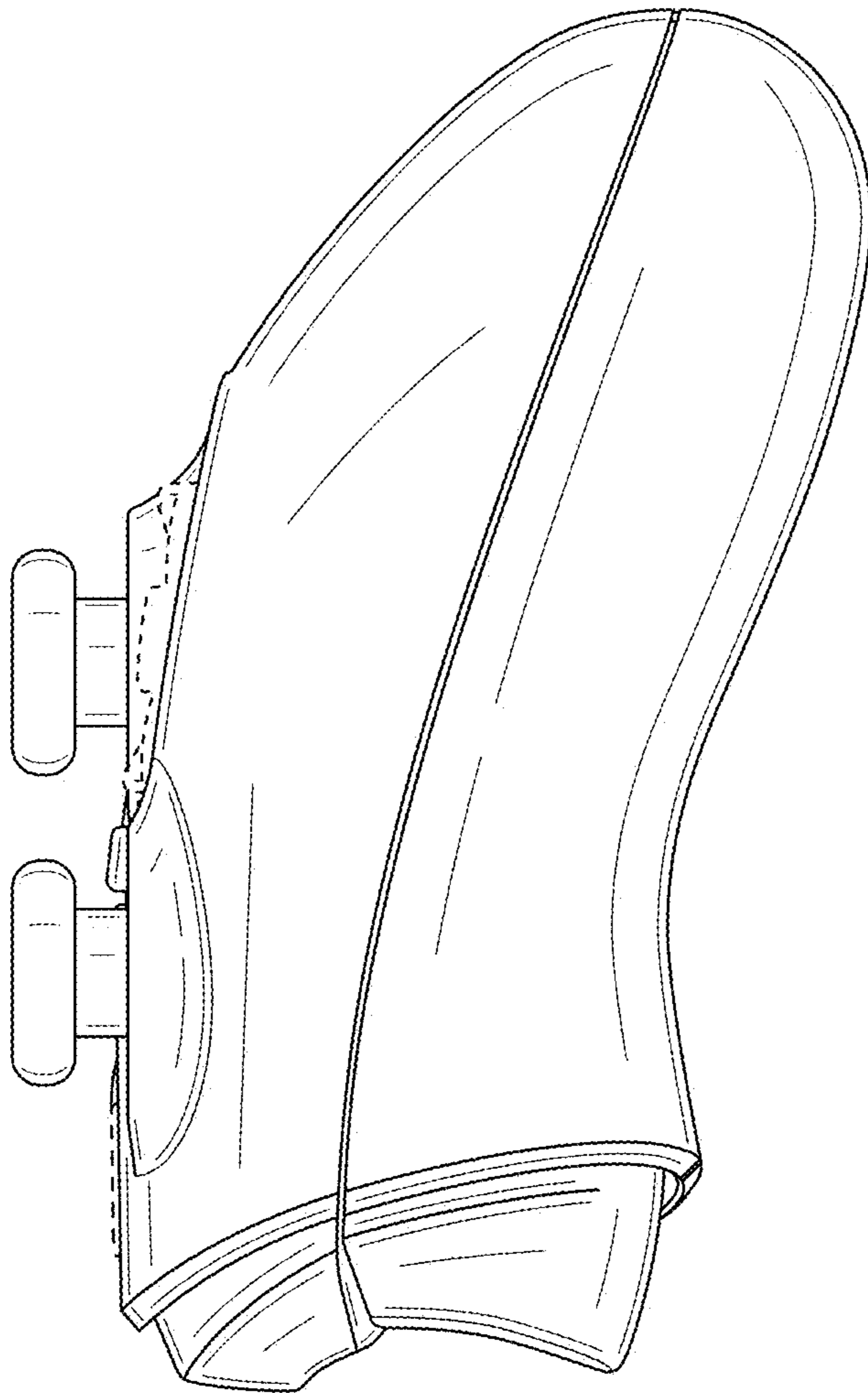


FIG. 6

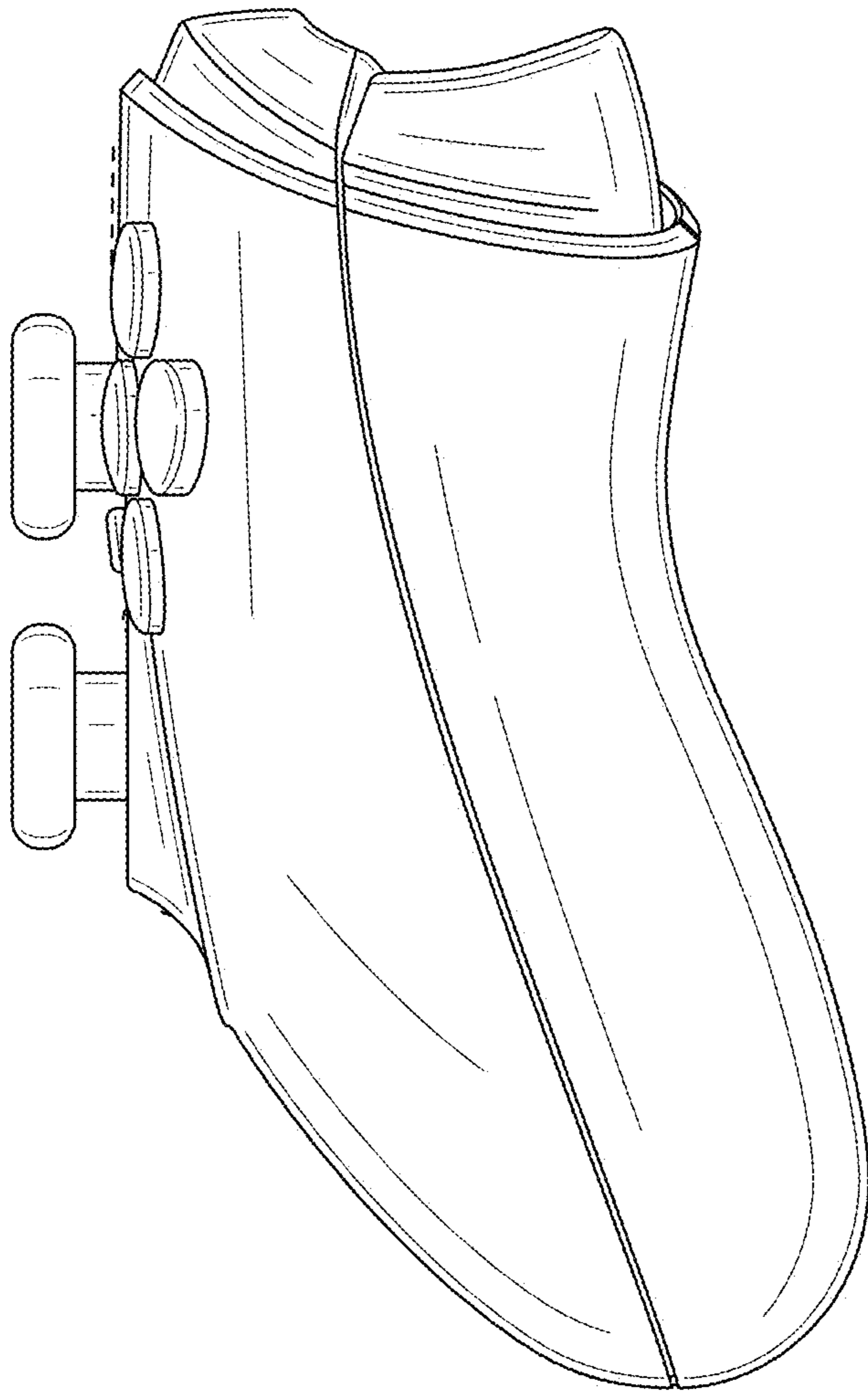


FIG. 7