



US00D909481S

(12) **United States Design Patent**  
**Liu et al.**

(10) **Patent No.:** **US D909,481 S**

(45) **Date of Patent:** **\*\* Feb. 2, 2021**

- (54) **GAME CONTROLLER**
- (71) Applicants: **Han-Tsai Liu**, Taipei (TW);  
**Jyh-Chyang Tzou**, Taipei (TW);  
**Pai-Feng Chen**, Taipei (TW)
- (72) Inventors: **Han-Tsai Liu**, Taipei (TW);  
**Jyh-Chyang Tzou**, Taipei (TW);  
**Pai-Feng Chen**, Taipei (TW)
- (73) Assignee: **COMPAL ELECTRONICS, INC.**,  
Taipei (TW)
- (\*\*) Term: **15 Years**

7,499,284	B2 *	3/2009	Kawanobe	.....	A63F 13/08
					361/752
D622,245	S *	8/2010	Okada	.....	D14/138 G
D632,341	S *	2/2011	Lim	.....	D21/333
D664,601	S *	7/2012	Sogabe	.....	D21/329
D666,679	S *	9/2012	Ehara	.....	D21/330
D669,939	S *	10/2012	Fujino	.....	D21/330
D681,128	S *	4/2013	Ashida	.....	D21/332
D689,138	S *	9/2013	Ashida	.....	D21/332
D691,663	S *	10/2013	Ashida	.....	D21/332
D692,882	S *	11/2013	Lakraa	.....	D14/346
D697,141	S *	1/2014	Sugino	.....	D21/333
D702,770	S *	4/2014	Burris	.....	D21/329
D713,467	S *	9/2014	Sawhney	.....	D21/333
D720,342	S *	12/2014	Starrett	.....	D14/252
D720,406	S *	12/2014	Fujino	.....	D21/329
D721,695	S *	1/2015	Birgeoglu	.....	D14/307

(Continued)

- (21) Appl. No.: **29/699,686**
- (22) Filed: **Jul. 29, 2019**
- (51) **LOC (13) Cl.** ..... **21-01**
- (52) **U.S. Cl.**  
USPC ..... **D21/333**
- (58) **Field of Classification Search**  
USPC ..... D21/324, 328, 329, 330, 331, 333, 341,  
D21/342, 349, 386; D14/218, 250, 299,  
D14/322, 341, 345, 346, 337, 353, 354,  
D14/374, 375, 376, 421, 432, 440, 443,  
D14/463; D8/20, 32, 37, 51, 70, 70.1,  
D8/81, 88, 90, 99, 106, 107, 303, 307,  
D8/315, 316, 321, 325, 339, 367, 385,  
D8/394, 404; D6/300, 301, 320, 328  
CPC ..... A45C 13/00; A45C 13/001; A45C 13/002;  
A63F 13/10; A63F 13/98; A63F 13/24;  
A63F 9/0291  
See application file for complete search history.

*Primary Examiner* — Sandra Snapp  
*Assistant Examiner* — Mehri Bajoul  
(74) *Attorney, Agent, or Firm* — JCIPRNET

(57) **CLAIM**

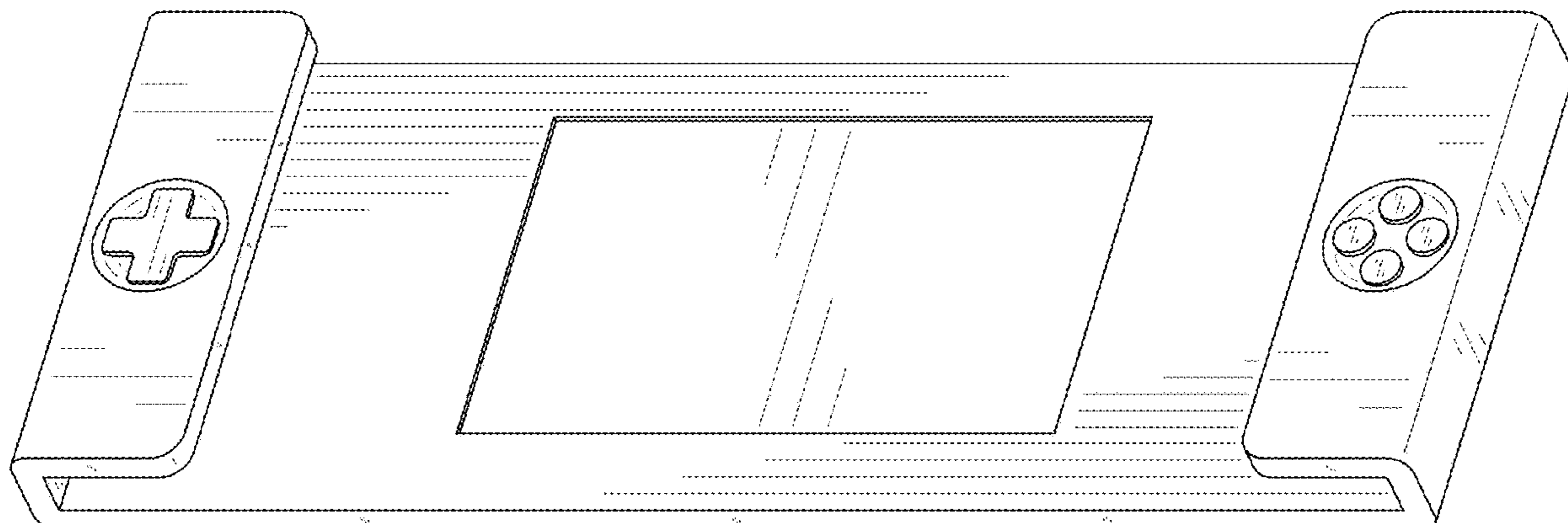
The ornamental design for a game controller, as shown and described.

**DESCRIPTION**

FIG. 1 is a perspective view of a game controller showing our new design;  
FIG. 2 is a front view thereof;  
FIG. 3 is a rear view thereof;  
FIG. 4 is a left side view thereof;  
FIG. 5 is a right side view thereof;  
FIG. 6 is a top view thereof;  
FIG. 7 is a bottom view thereof; and,  
FIG. 8 is a perspective view of the game controller wherein an electronic device has been inserted therein to show the game controller in use.  
The dashed broken lines in FIG. 8 are directed to environmental structure and are for illustrative purposes only; the broken lines form no part of the claimed design.

**1 Claim, 6 Drawing Sheets**

- (56) **References Cited**  
U.S. PATENT DOCUMENTS  
D453,536 S \* 2/2002 Ota ..... D21/329  
D516,634 S \* 3/2006 Man-tat ..... D21/332  
D532,829 S \* 11/2006 Kawanobe ..... D21/333



(56)

**References Cited**

## U.S. PATENT DOCUMENTS

D722,043	S	*	2/2015	Requa	.....	D14/217
D723,032	S	*	2/2015	Schoenith	.....	D14/401
D736,859	S	*	8/2015	Joynes	.....	D21/333
D741,952	S	*	10/2015	Nokuo	.....	D21/329
D754,257	S	*	4/2016	Gallizzi	.....	D21/332
D759,650	S	*	6/2016	Avery	.....	D14/341
D765,788	S	*	9/2016	Kujawski	.....	D21/333
D768,785	S	*	10/2016	Kim	.....	D21/333
D783,722	S	*	4/2017	Peng	.....	D21/333
D789,454	S	*	6/2017	Prisnie	.....	D20/44
D793,479	S	*	8/2017	Youssef	.....	D21/331
D800,717	S	*	10/2017	Hillman	.....	D14/341
D808,466	S	*	1/2018	Foster	.....	D21/333
D819,696	S	*	6/2018	Ehara	.....	D14/496
D833,389	S	*	11/2018	Dunham	.....	D13/108
D867,365	S	*	11/2019	Corigliano	.....	D14/401
D881,191	S	*	4/2020	Navid	.....	D14/401
D881,992	S	*	4/2020	Liu	.....	D21/333
D886,200	S	*	6/2020	Morisawa	.....	D21/333
D886,201	S	*	6/2020	Kanter	.....	D21/333
D888,157	S	*	6/2020	Wei	.....	D21/331
2016/0361627	A1	*	12/2016	Fujita	.....	A63F 13/92
2019/0278326	A1	*	9/2019	Chu	.....	G06F 1/1654

\* cited by examiner

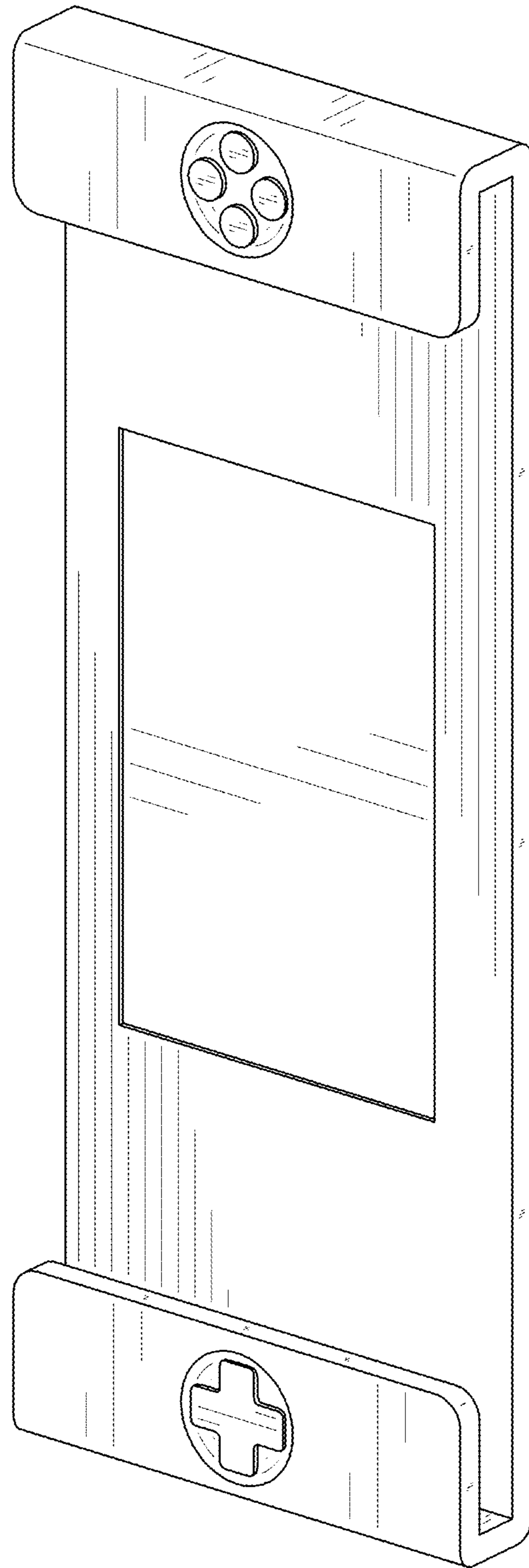


FIG. 1

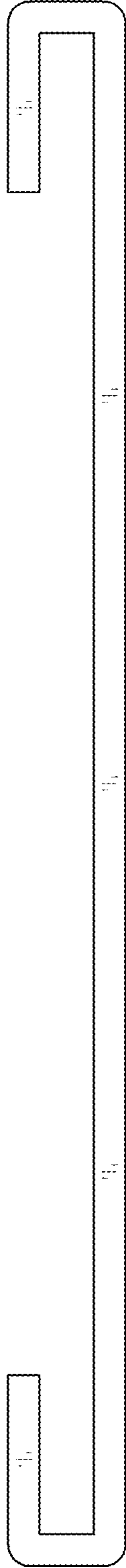


FIG. 2

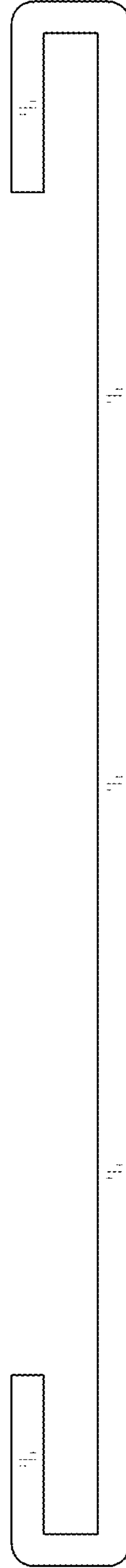


FIG. 3

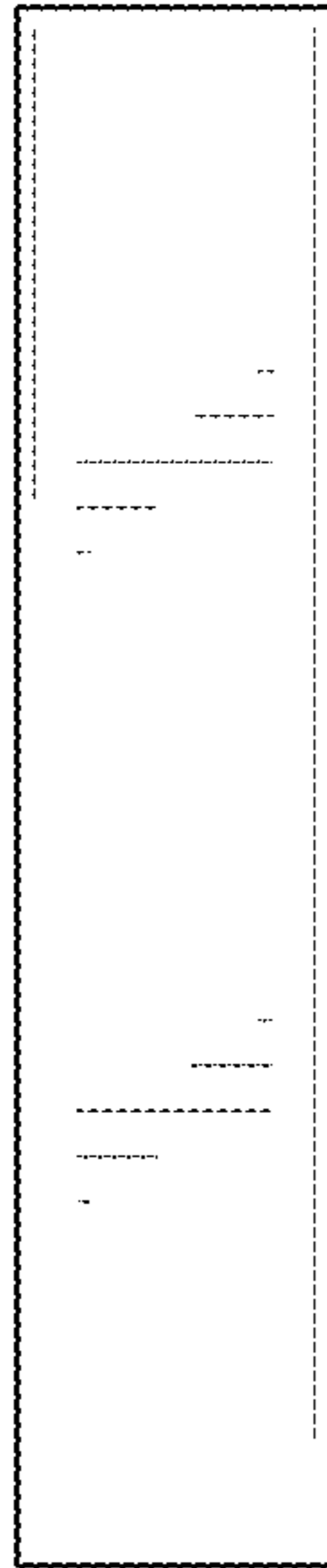


FIG. 4

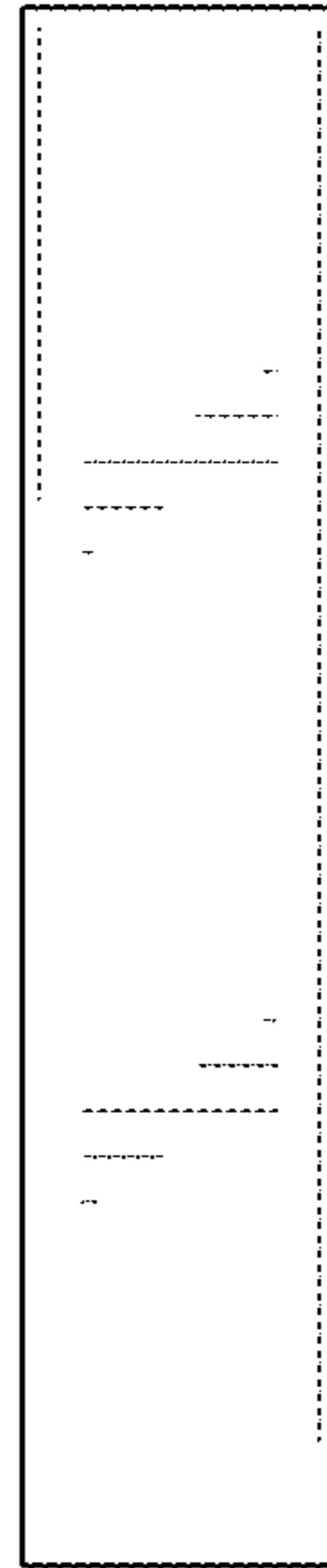


FIG. 5

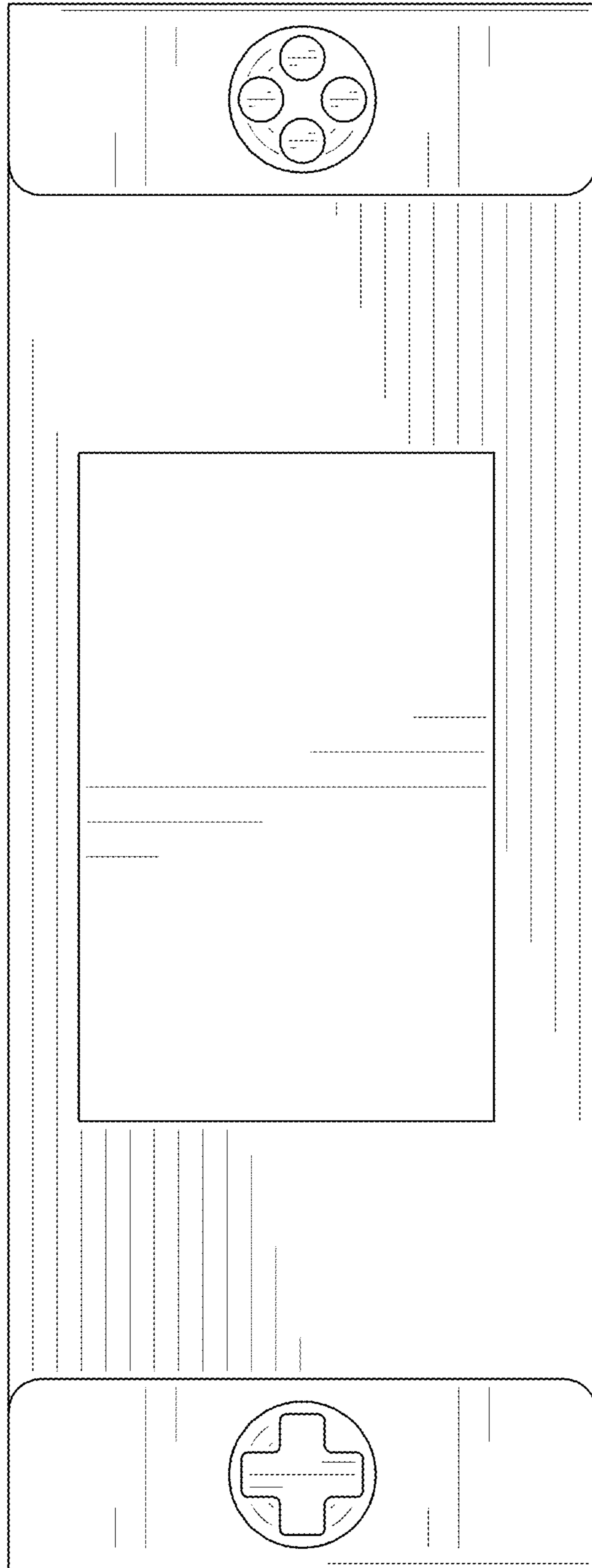


FIG. 6

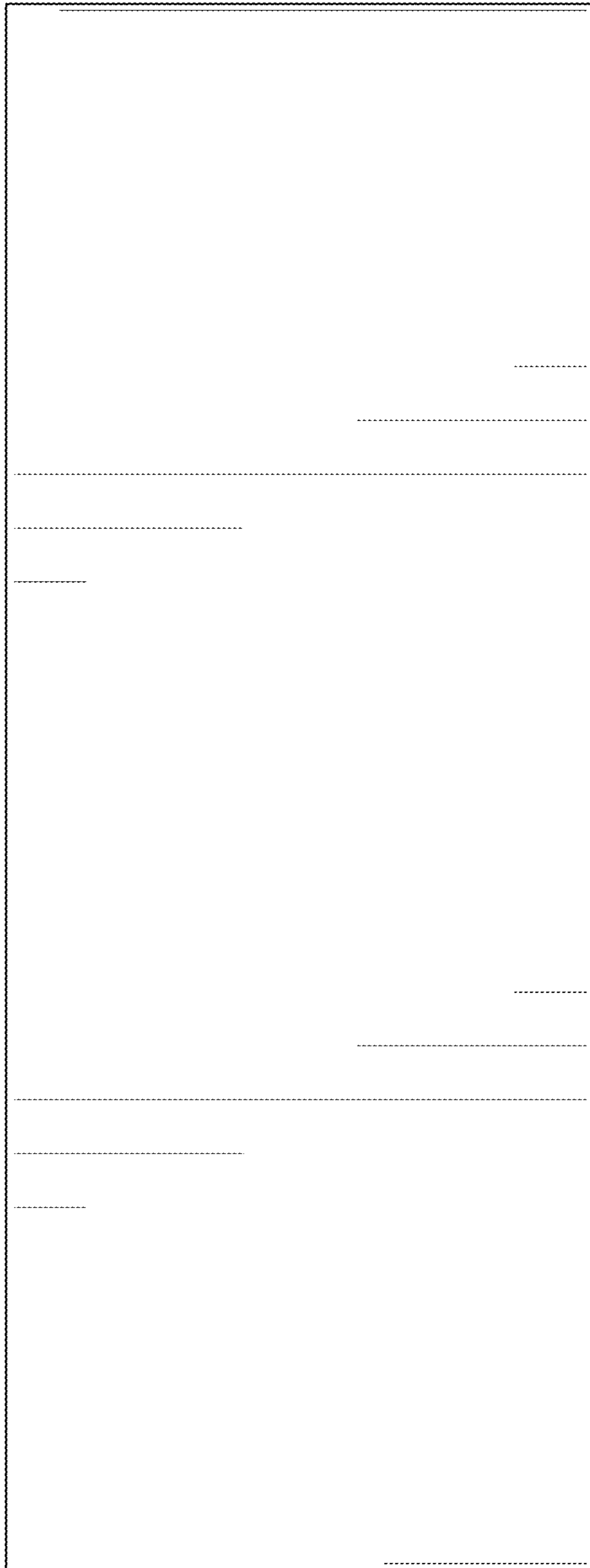


FIG. 7



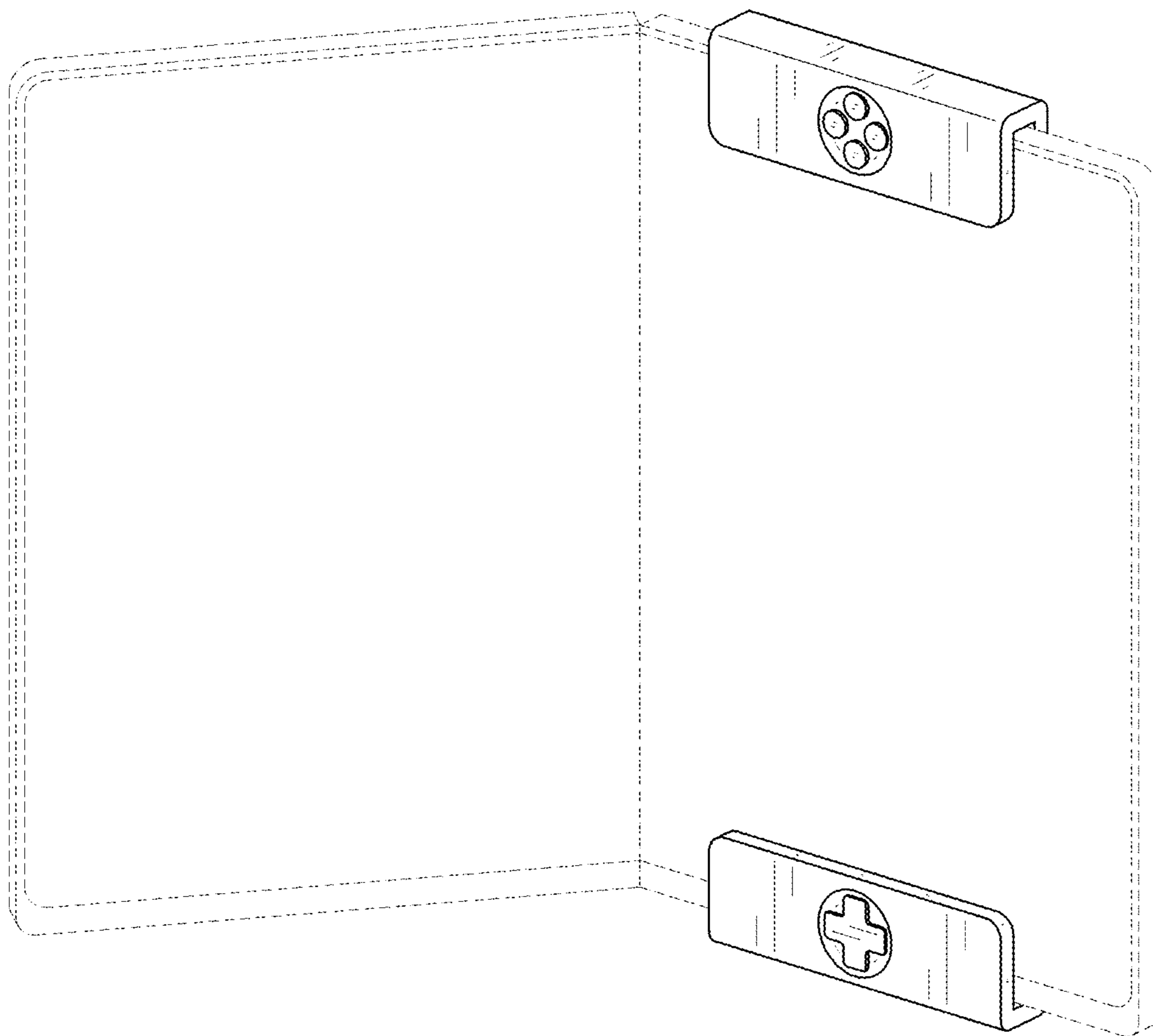


FIG. 8