

US00D909480S

(12) **United States Design Patent** (10) **Patent No.:** **US D909,480 S**
Butler et al. (45) **Date of Patent:** **** Feb. 2, 2021**

- (54) **ELECTRONIC COMPANION CONSOLE**
- (71) Applicant: **Square Panda Inc.**, Sunnyvale, CA (US)
- (72) Inventors: **Andrew Butler**, Sunnyvale, CA (US); **Michael Nuttall**, Portola Valley, CA (US); **Carey Lee**, Redwood City, CA (US); **Shalan Ertis**, Campbell, CA (US); **Timothy James Elliott**, New York, NY (US); **Hector Javier Farias**, Castro Valley, CA (US)
- (73) Assignee: **Square Panda Inc.**, Sunnyvale, CA (US)
- (**) Term: **15 Years**
- (21) Appl. No.: **29/747,736**
- (22) Filed: **Aug. 25, 2020**

Related U.S. Application Data

- (62) Division of application No. 29/661,928, filed on Aug. 31, 2018, now Pat. No. Des. 898,123.
- (51) **LOC (13) Cl.** **21-01**
- (52) **U.S. Cl.**
USPC **D21/324**
- (58) **Field of Classification Search**
USPC D21/300, 324, 328, 332, 333; D14/315, D14/318, 320, 322, 330, 335, 338, 346, D14/356, 374, 381, 382, 387, 388, 399, D14/400, 422, 439, 451, 455, 456, 474, D14/129, 133, 137, 138 R, 140.1, 163, D14/178, 199, 208, 217, 261; D17/20; D19/115, 128, 188, 100; 273/148 R, 273/148 B; 463/1, 46, 47, 43; 84/718, 84/722
CPC G06F 1/1626; G06F 1/1656; G09B 19/00; G09B 19/08; H04B 1/0458
See application file for complete search history.

(56) **References Cited**

U.S. PATENT DOCUMENTS

- D247,002 S 1/1978 Katoh
 - D303,127 S * 8/1989 Biasotti D21/332
 - D324,243 S * 2/1992 Meggison D10/46.1
- (Continued)

OTHER PUBLICATIONS

U.S. Appl. No. 29/661,928, filed Aug. 31, 2018, Electronic Companion Console.

(Continued)

Primary Examiner — Sandra Snapp

Assistant Examiner — Mehri Bajoul

(74) *Attorney, Agent, or Firm* — Schwegman Lundberg & Woessner, P.A.

(57) **CLAIM**

The ornamental design for an electronic companion console, as shown and described.

DESCRIPTION

FIG. 1 is a front view of an electronic companion console, showing our new design.

FIG. 2 is a rear view thereof.

FIG. 3 is a right view thereof.

FIG. 4 is a left view thereof.

FIG. 5 is a top view thereof.

FIG. 6 is a bottom view thereof.

FIG. 7 is a top-front-right perspective view thereof.

FIG. 8 is a top-rear-right perspective view thereof.

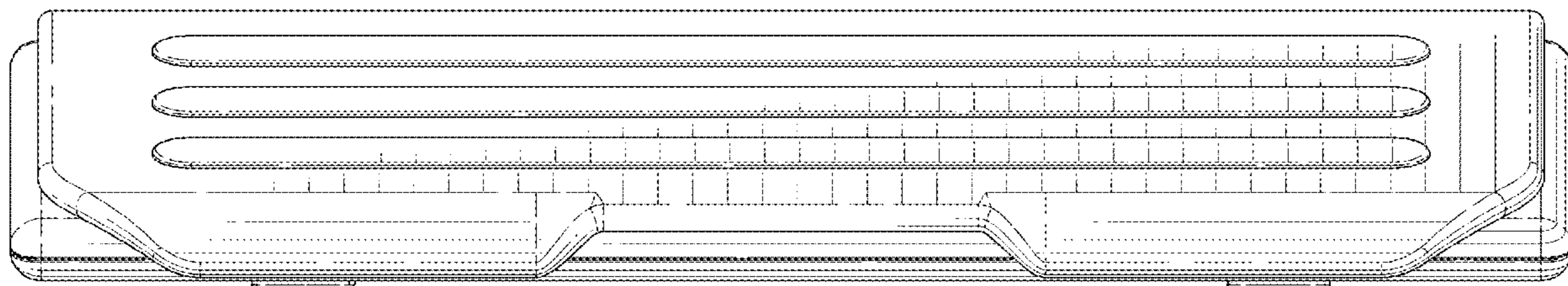
FIG. 9 is a bottom-rear-left perspective view thereof; and,

FIG. 10 is bottom-front-left perspective view thereof.

In the drawings, the broken lines depict portions of the electronic companion console that form no part of the claimed design.

The shade lines show surface contour and not surface ornamentation.

1 Claim, 8 Drawing Sheets



(56)

References Cited

U.S. PATENT DOCUMENTS

D350,373 S * 9/1994 Chow D14/314
 D412,187 S 7/1999 Kitamori
 D416,888 S 11/1999 Kitamori
 D428,939 S * 8/2000 Ota D21/332
 D460,495 S 7/2002 Naghi et al.
 D479,860 S 9/2003 Lim
 D500,316 S * 12/2004 Lynch D14/345
 D500,528 S 1/2005 Morris et al.
 D504,472 S * 4/2005 Liu D21/324
 D516,634 S * 3/2006 Man-tat D21/332
 D536,382 S 2/2007 Sugino et al.
 D539,355 S * 3/2007 Fujita D14/435
 D546,396 S * 7/2007 Matsuno D21/324
 D559,327 S 1/2008 Luk et al.
 D568,884 S 5/2008 Kawanobe et al.
 D580,429 S 11/2008 Cheng et al.
 D581,921 S 12/2008 Kim et al.
 D584,304 S 1/2009 Lin
 D586,798 S 2/2009 Tanaka et al.
 D586,799 S 2/2009 Gluskoter et al.
 D587,715 S 3/2009 Davis et al.
 D597,143 S 7/2009 Izumi
 D602,095 S * 10/2009 Fujino D14/436
 D610,625 S 2/2010 Guinchard et al.
 D611,103 S 3/2010 Fujino et al.
 D616,947 S * 6/2010 Kloster D21/333
 D632,340 S * 2/2011 Guinchard D21/333
 D633,949 S * 3/2011 Fayram D21/324
 D645,909 S 9/2011 Fujita
 D650,447 S * 12/2011 Ehara D21/330
 D667,891 S 9/2012 Hermann, II
 8,681,113 B1 * 3/2014 Wu G06F 1/1688
 345/173
 D748,734 S * 2/2016 Burgess D21/333
 D752,039 S * 3/2016 Park D14/341
 D782,567 S 3/2017 Faoro

D788,768 S 6/2017 Hsieh et al.
 D789,941 S * 6/2017 Sauvage D14/455
 D789,942 S 6/2017 Bailey et al.
 D795,214 S * 8/2017 Tschopp D14/138 G
 D803,814 S 11/2017 Harms
 D804,450 S 12/2017 Spiel et al.
 D807,860 S * 1/2018 Tschetter D14/217
 D809,484 S 2/2018 Shi et al.
 D819,633 S 6/2018 Jun
 D836,579 S 12/2018 Gannon et al.
 D848,421 S * 5/2019 Turksu D14/399
 D849,719 S 5/2019 Branscomb et al.
 D849,742 S 5/2019 Siminoff et al.
 D850,460 S 6/2019 Luo
 D855,056 S * 7/2019 Raken D14/439
 D864,970 S 10/2019 Magi et al.
 D872,077 S * 1/2020 Raken D14/341
 D872,709 S * 1/2020 Pang D14/217
 D873,820 S * 1/2020 Wei D14/348
 D898,123 S 10/2020 Butler et al.
 2006/0050061 A1 3/2006 Aiken et al.

OTHER PUBLICATIONS

“U.S. Appl. No. 29/661,928, Notice of Allowance dated Jun. 15, 2020”, 7 pgs.
 “U.S. Appl. No. 29/661,928, filed Mar. 17, 2020 to Restriction Requirement dated Jan. 24, 2020”, 5 pgs.
 “U.S. Appl. No. 29/661,928, Restriction Requirement dated Jan. 24, 2020”, 4 pgs.
 “U.S. Appl. No. 29/661,928, 312 Amendment filed Aug. 25, 2020”, 3 pgs.
 “U.S. Appl. No. 29/661,928, PTO Response to Rule 312 Communication dated Sep. 9, 2020”, 2 pgs.
 “8 Passengers and Square Panda—Youtube”, [Online] Retrieved from the Internet on May 5, 2020: <URL: [https:// www.youtube.com/watch?v=dlv6vUIA_BM](https://www.youtube.com/watch?v=dlv6vUIA_BM)>, (Nov. 21, 2018), 1 pg.

* cited by examiner

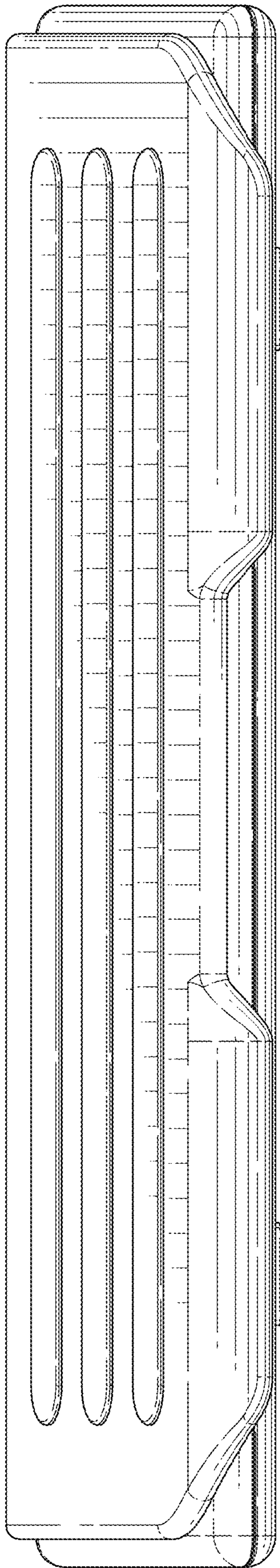


FIG. 1

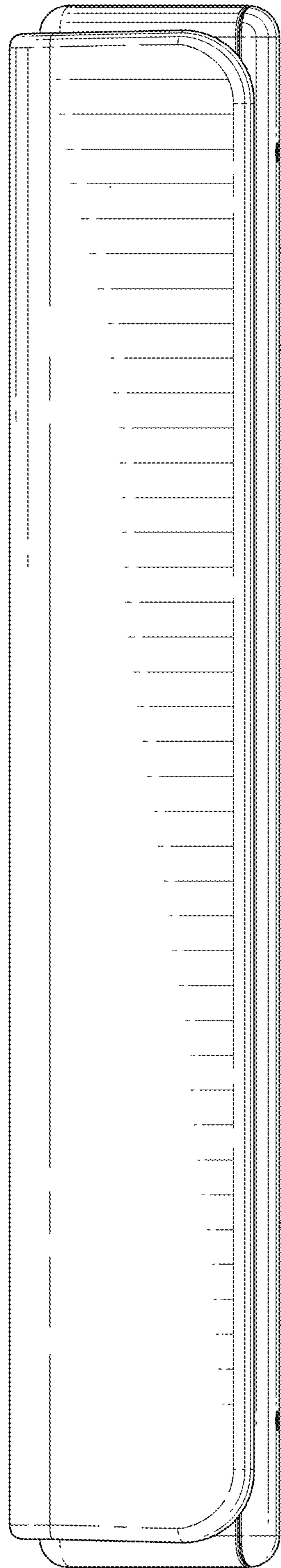


FIG. 2

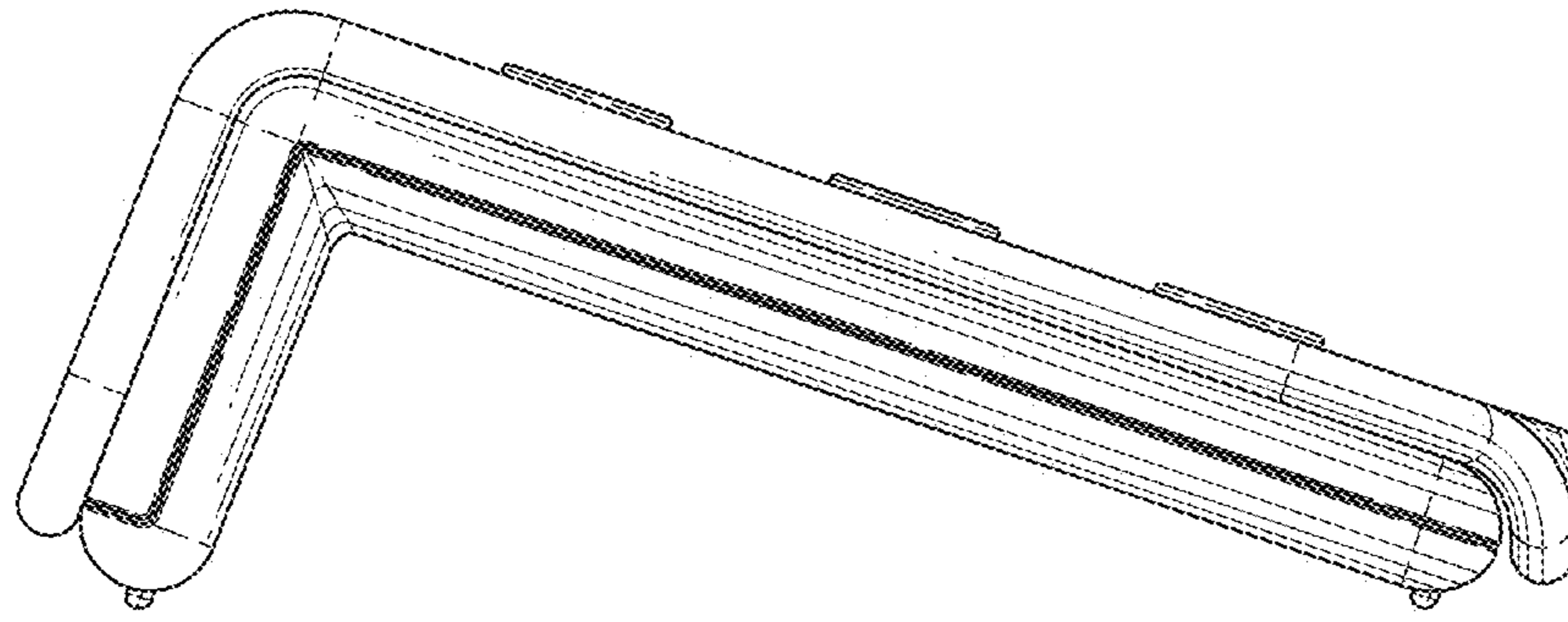


FIG. 3

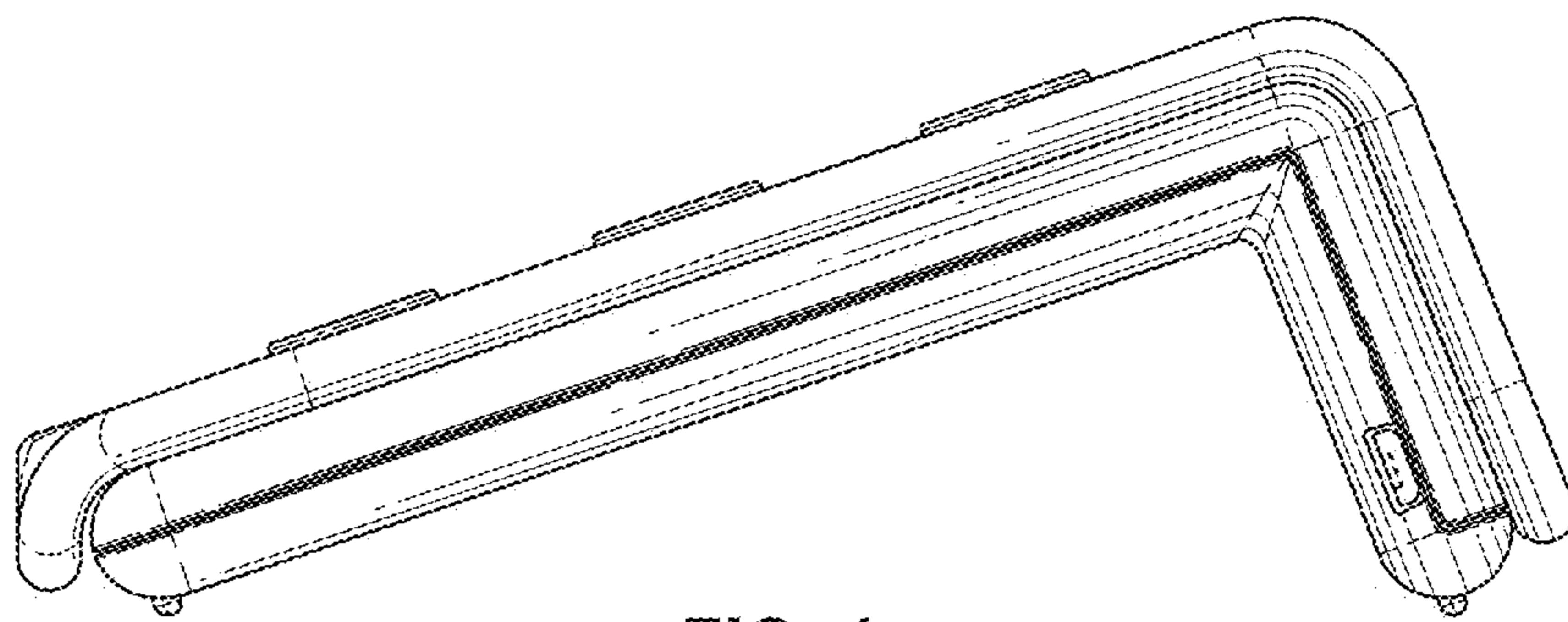


FIG. 4

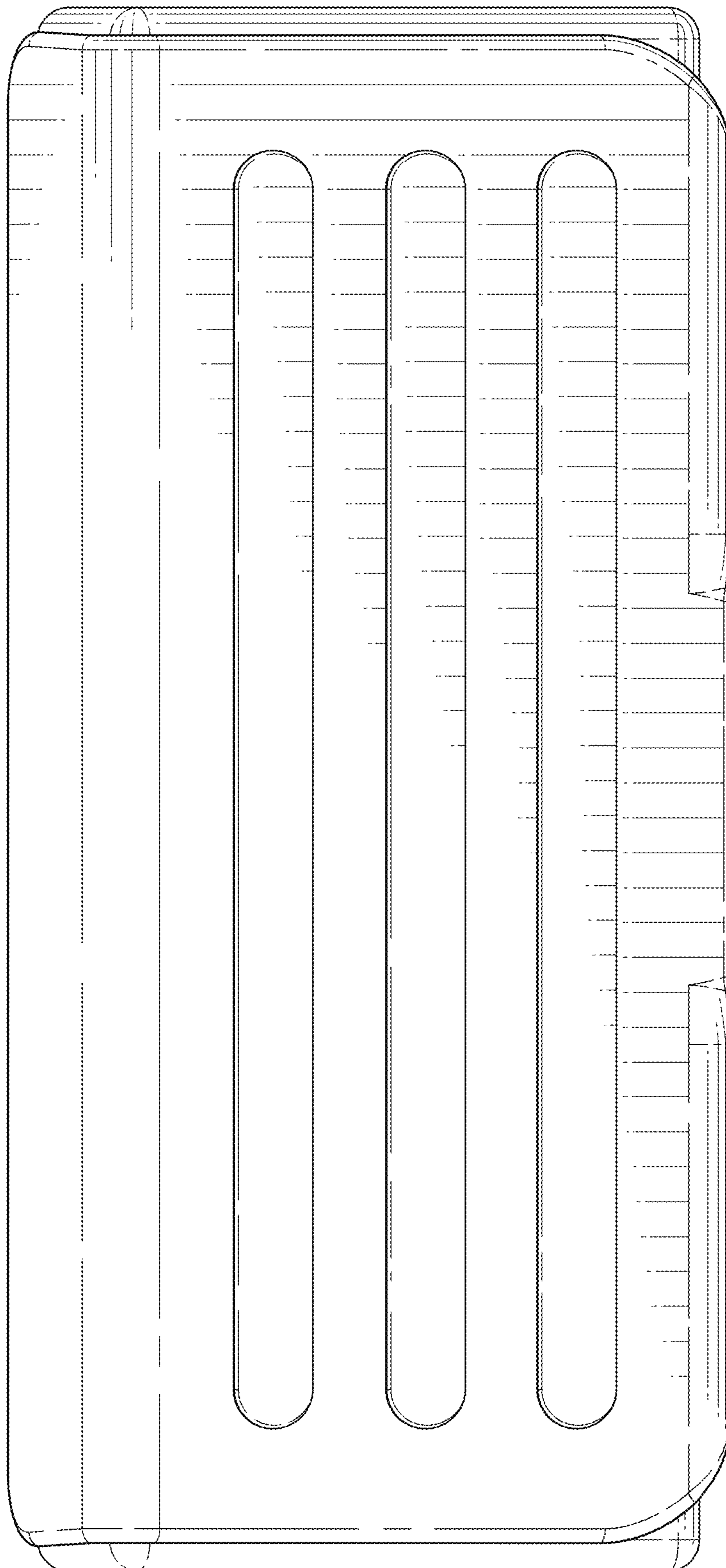


FIG. 5

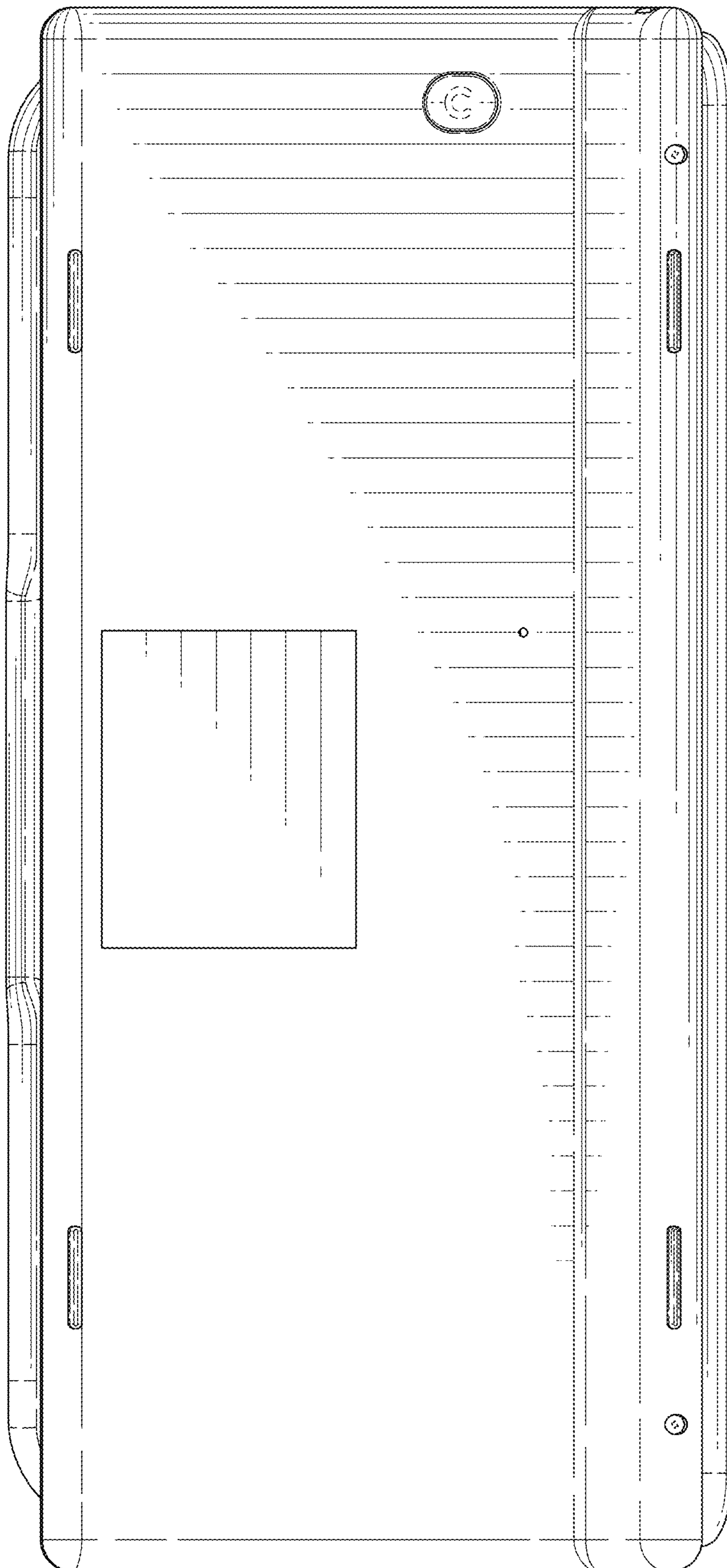


FIG. 6

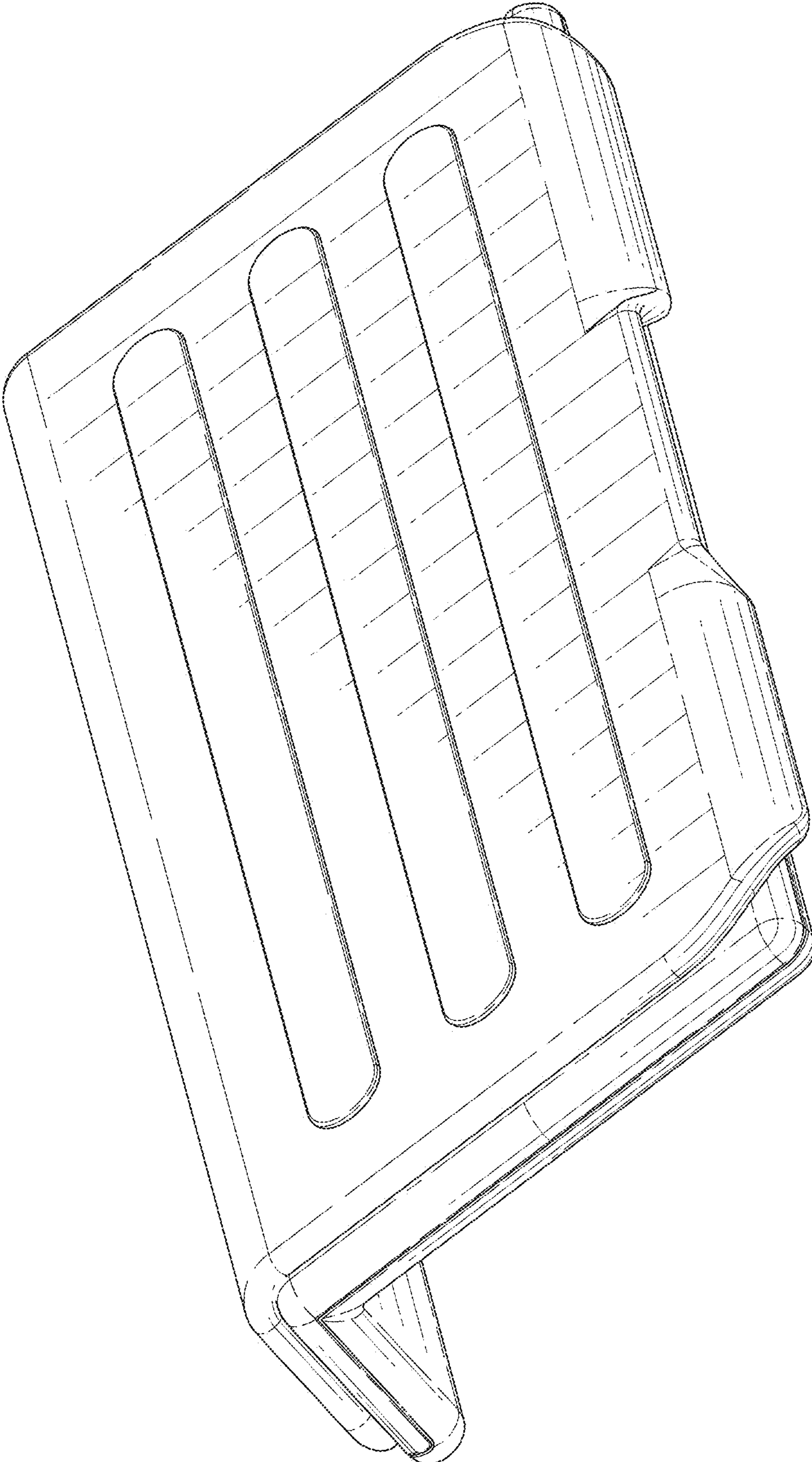


FIG. 7

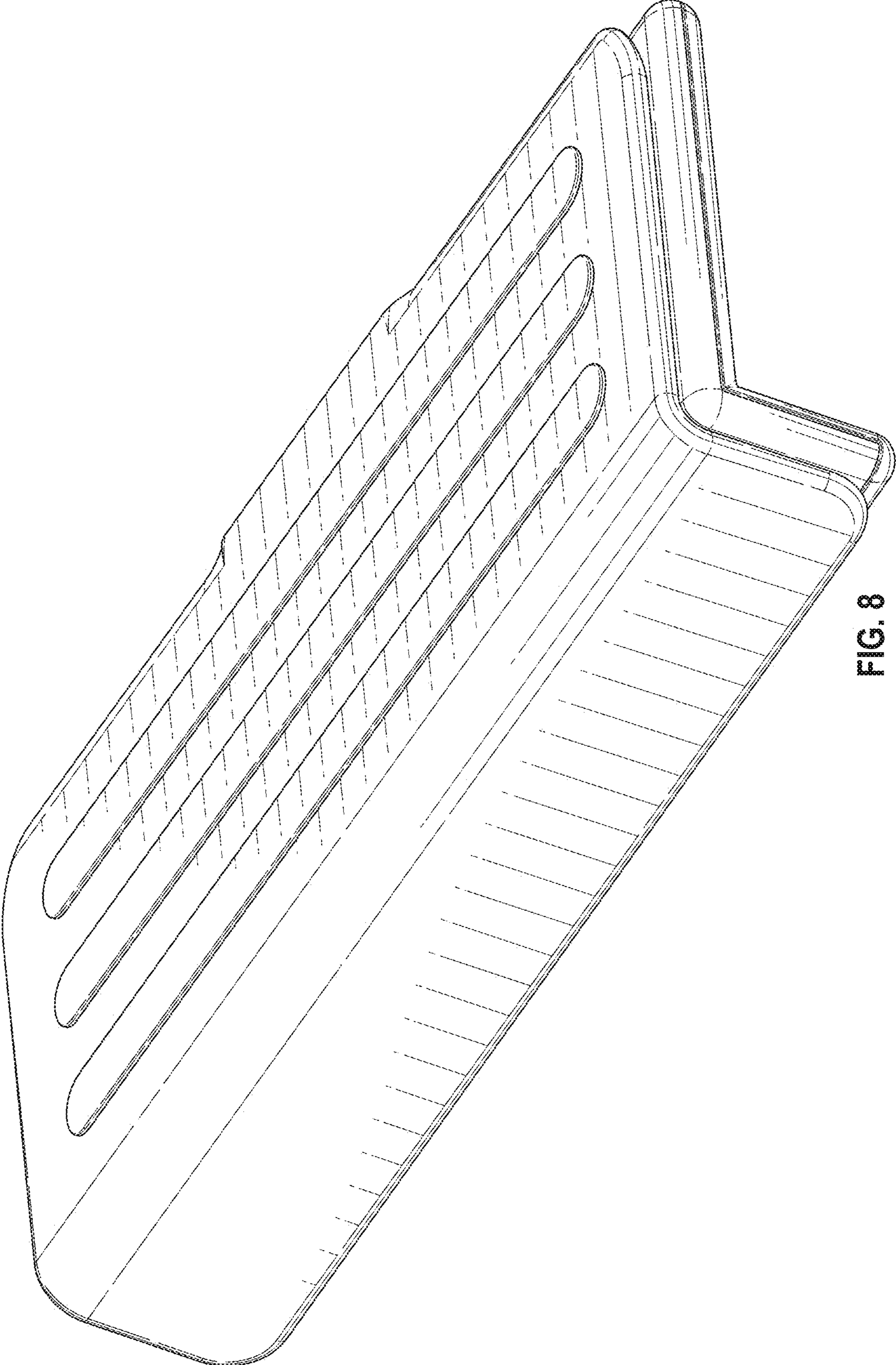


FIG. 8

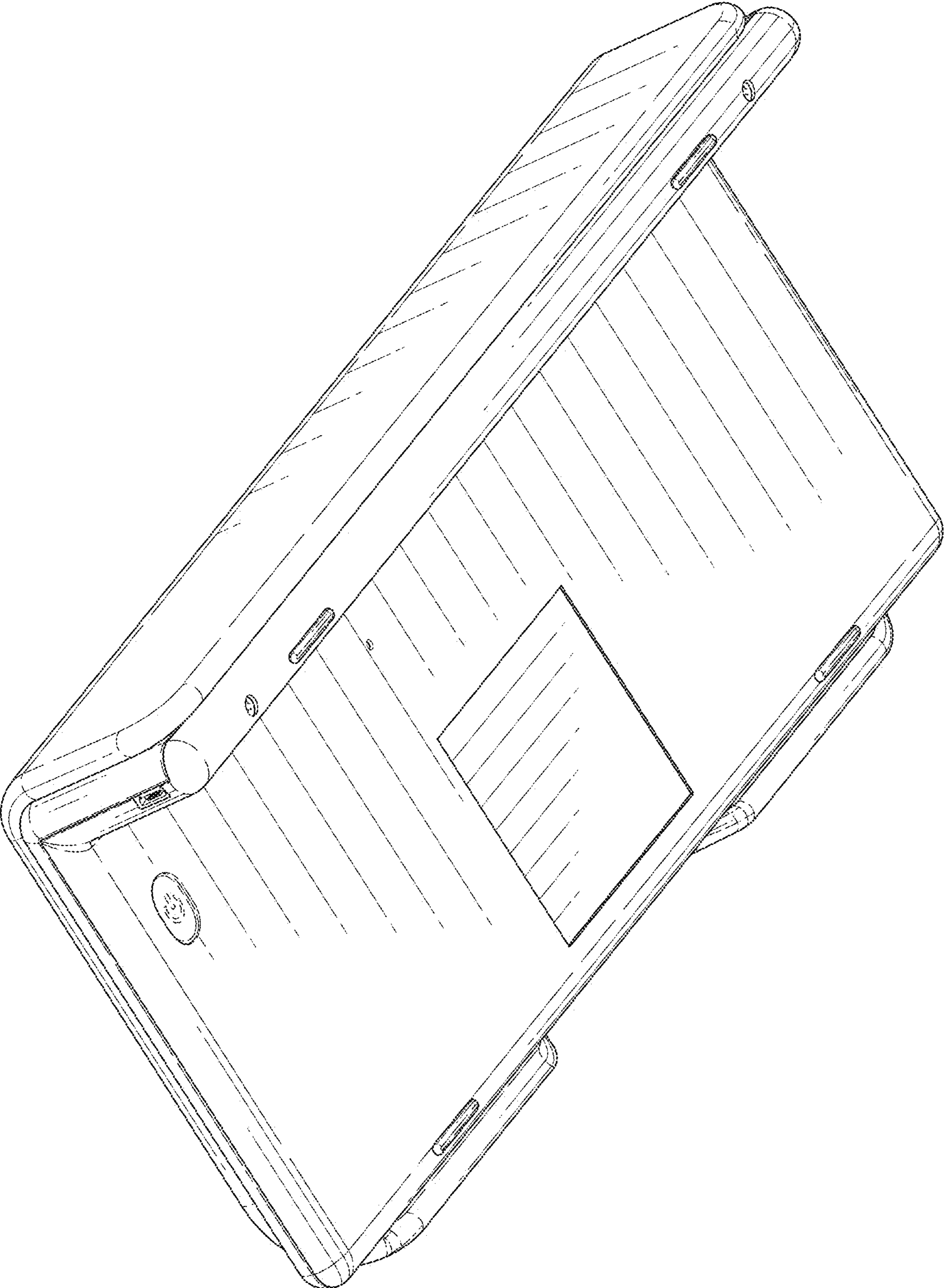


FIG. 9

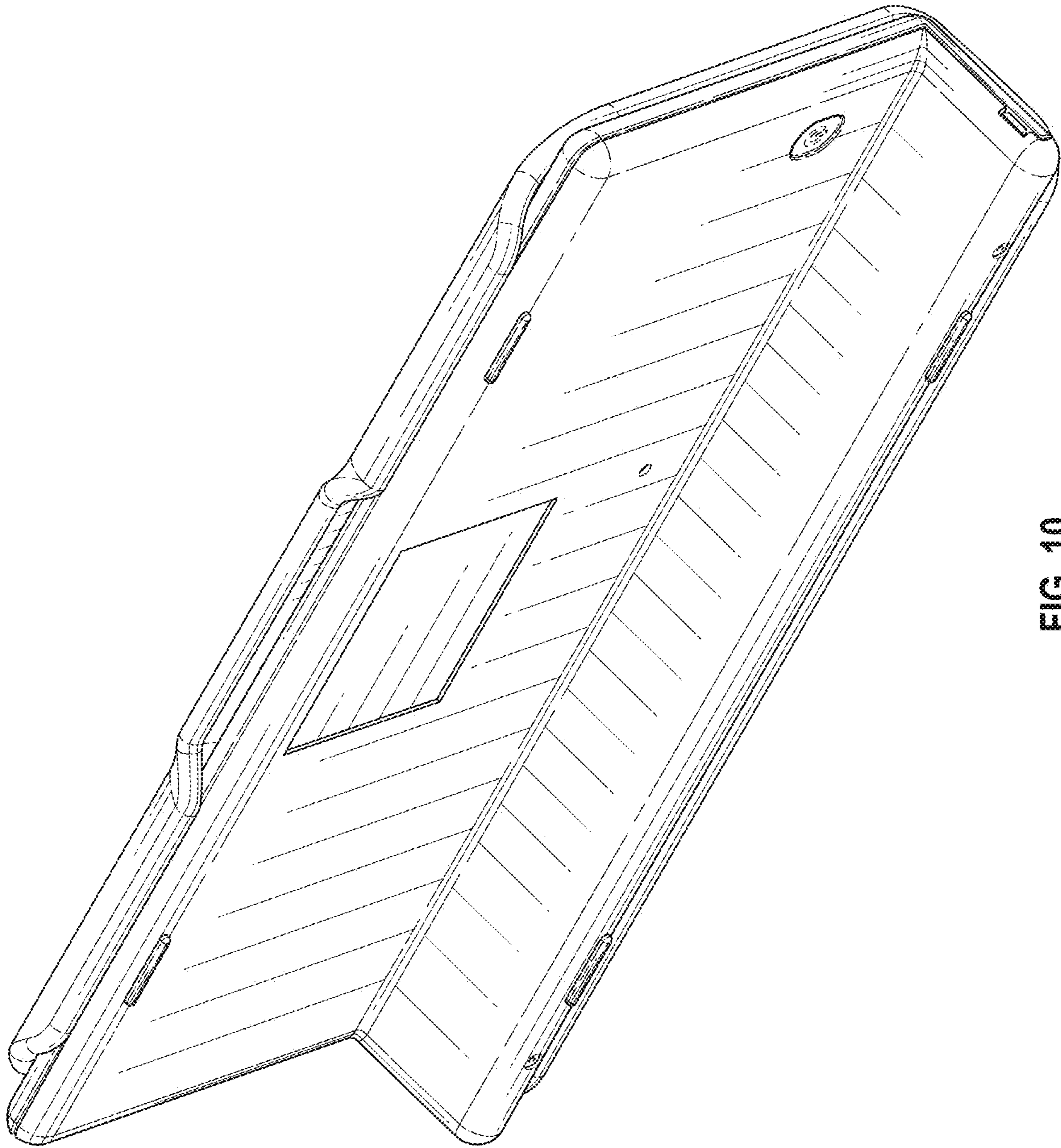


FIG. 10