



US00D909478S

(12) **United States Design Patent** (10) **Patent No.:** **US D909,478 S**
Ricci (45) **Date of Patent:** **** Feb. 2, 2021**

(54) **SIGN FOR SHELF**

(71) Applicant: **Dana Industries Inc.**, Etobicoke (CA)

(72) Inventor: **John Ricci**, Kleinburg (CA)

(73) Assignee: **Dana Industries Inc.**, Etobicoke (CA)

(**) Term: **15 Years**

(21) Appl. No.: **29/712,548**

(22) Filed: **Nov. 8, 2019**

(30) **Foreign Application Priority Data**

May 9, 2019 (CA) 187417

(51) **LOC (13) Cl.** **20-03**

(52) **U.S. Cl.**
USPC **D20/43**

(58) **Field of Classification Search**

USPC D10/109.1, 109.2, 113.4; D11/165, 166,
D11/181, 182; D20/10, 19, 21, 29, 37,
D20/39, 40, 41, 42, 43, 99

CPC G09F 7/00; G09F 7/12; G09F 7/14; G09F
7/16; G09F 7/18; G09F 2007/122; G09F
2007/1804; G09F 2007/1834; G09F
2007/1886; G09F 9/00; G09F 13/00;
G09F 13/02; G09F 13/04; G09F 13/0018;
G09F 13/22; G09F 2003/1895; G09F
15/00; G09F 15/0037; G09F 15/02; G09F
15/025; G09F 17/00; G09F 2007/0075;
G09F 23/00

See application file for complete search history.

(56) **References Cited**

U.S. PATENT DOCUMENTS

D175,481 S * 8/1955 Slavsky D20/44
5,921,012 A * 7/1999 Caivano G09F 13/04
40/541
D453,798 S * 2/2002 Gray D20/43

(Continued)

Primary Examiner — Mary Ann Calabrese

Assistant Examiner — Catherine Ho

(74) *Attorney, Agent, or Firm* — Santosh K. Chari; CPST
Intellectual Property Inc.

(57) **CLAIM**

The ornamental design for a sign for shelf, substantially as
shown and described.

DESCRIPTION

FIG. 1 is a front view according to a first embodiment of the
sign for a shelf in an unfolded state.

FIG. 2 is a rear view of the sign for a shelf of FIG. 1.

FIG. 3 is a right side view of the sign for a shelf of FIG. 1 in
a folded state.

FIG. 4 is a left side view of the sign for a shelf of FIG. 1 in a
folded state.

FIG. 5 is a front perspective view of the sign for a shelf of FIG.
1 in a folded state.

FIG. 6 is a front view of the sign for a shelf of FIG. 1 in an
unfolded state showing environment.

FIG. 7 is a front perspective view of the sign for a shelf of
FIG. 1 in a folded state showing environment.

FIG. 8 is a front view according to a second embodiment of
the sign for a shelf in an unfolded state.

FIG. 9 is a rear view of the sign for a shelf of FIG. 8.

FIG. 10 is a right side view of the sign for a shelf of FIG. 8 in
a folded state.

FIG. 11 is a left side view of the sign for a shelf of FIG. 8 in
a folded state.

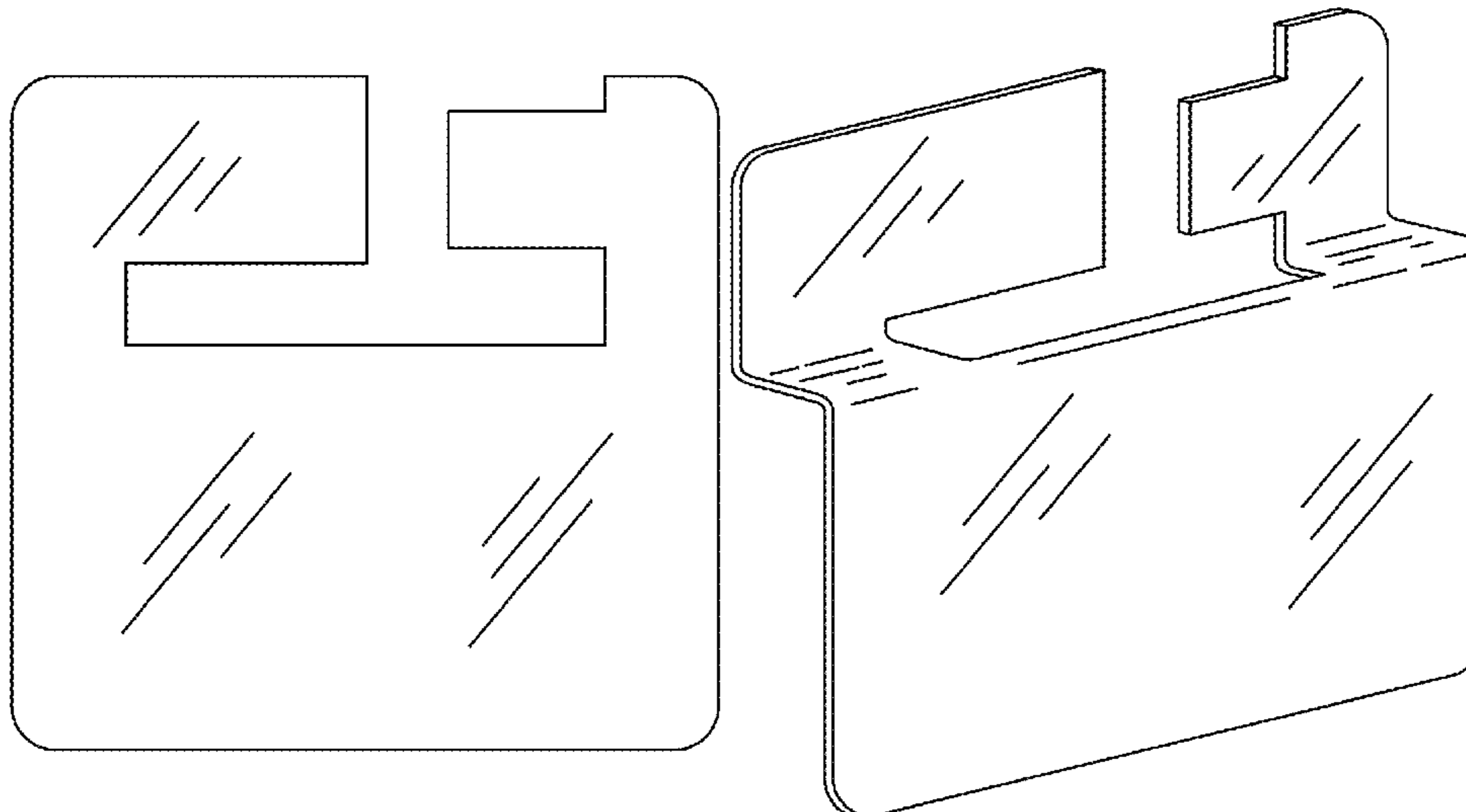
FIG. 12 is a front perspective view of the sign for a shelf of
FIG. 8 in a folded state.

FIG. 13 is a front view of the sign for a shelf of FIG. 8 in
an unfolded state showing environment; and,

FIG. 14 is a front perspective view of the sign for a shelf of
FIG. 8 in a folded state showing environment.

The portions of FIGS. 6, 7, 13, and 14 shown in broken lines
illustrate environment and do not form part of the claimed
design.

1 Claim, 8 Drawing Sheets



(56)

References Cited

U.S. PATENT DOCUMENTS

6,360,465	B1 *	3/2002	Simpson	G09F 3/204 40/638
D479,278	S *	9/2003	Nagel	D20/43
D579,984	S *	11/2008	Bruegmann	D20/43
D625,935	S *	10/2010	Theisen	D20/43
D627,828	S *	11/2010	Ricci	D20/29
D652,873	S *	1/2012	Ricci	D20/10
D685,855	S *	7/2013	Hawkins	D20/41
D754,251	S *	4/2016	Bigham	D20/10
D829,823	S *	10/2018	White	D20/43
D846,648	S *	4/2019	Ricci	D20/42

* cited by examiner

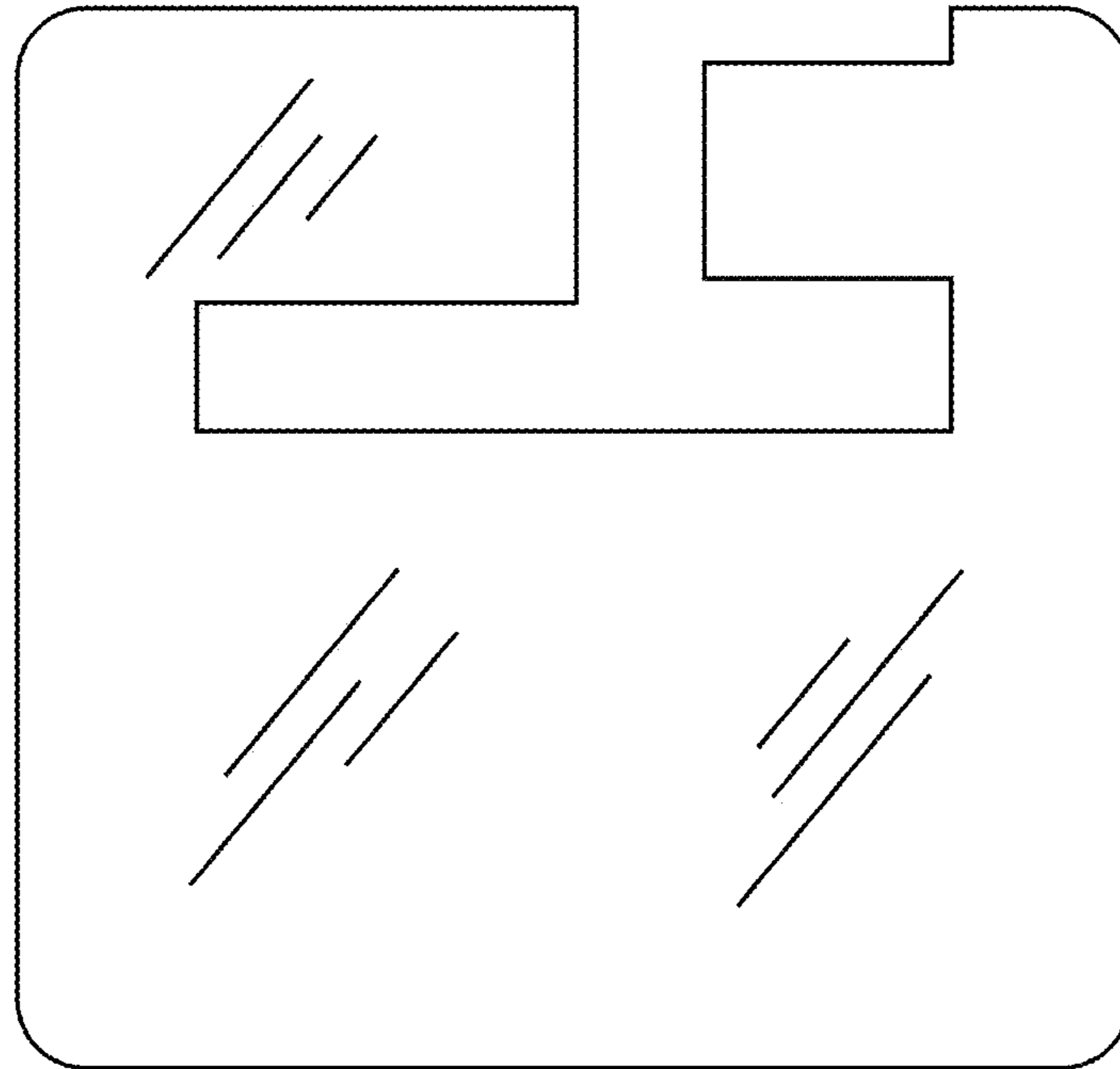


FIG. 1

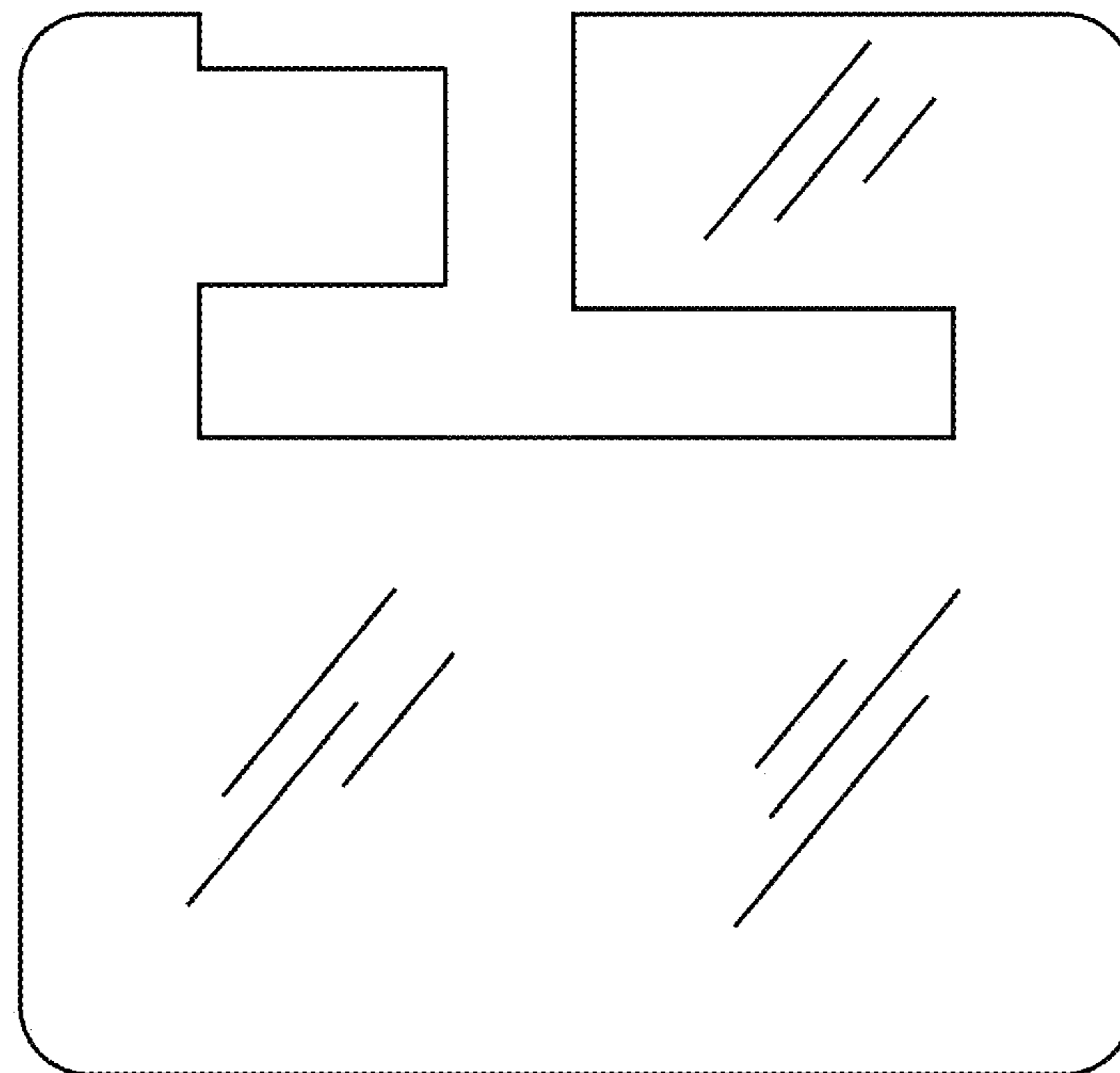


FIG. 2



FIG. 3

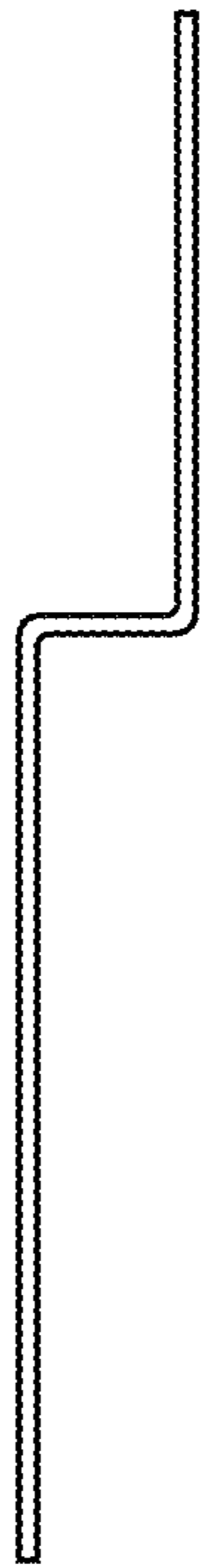


FIG. 4

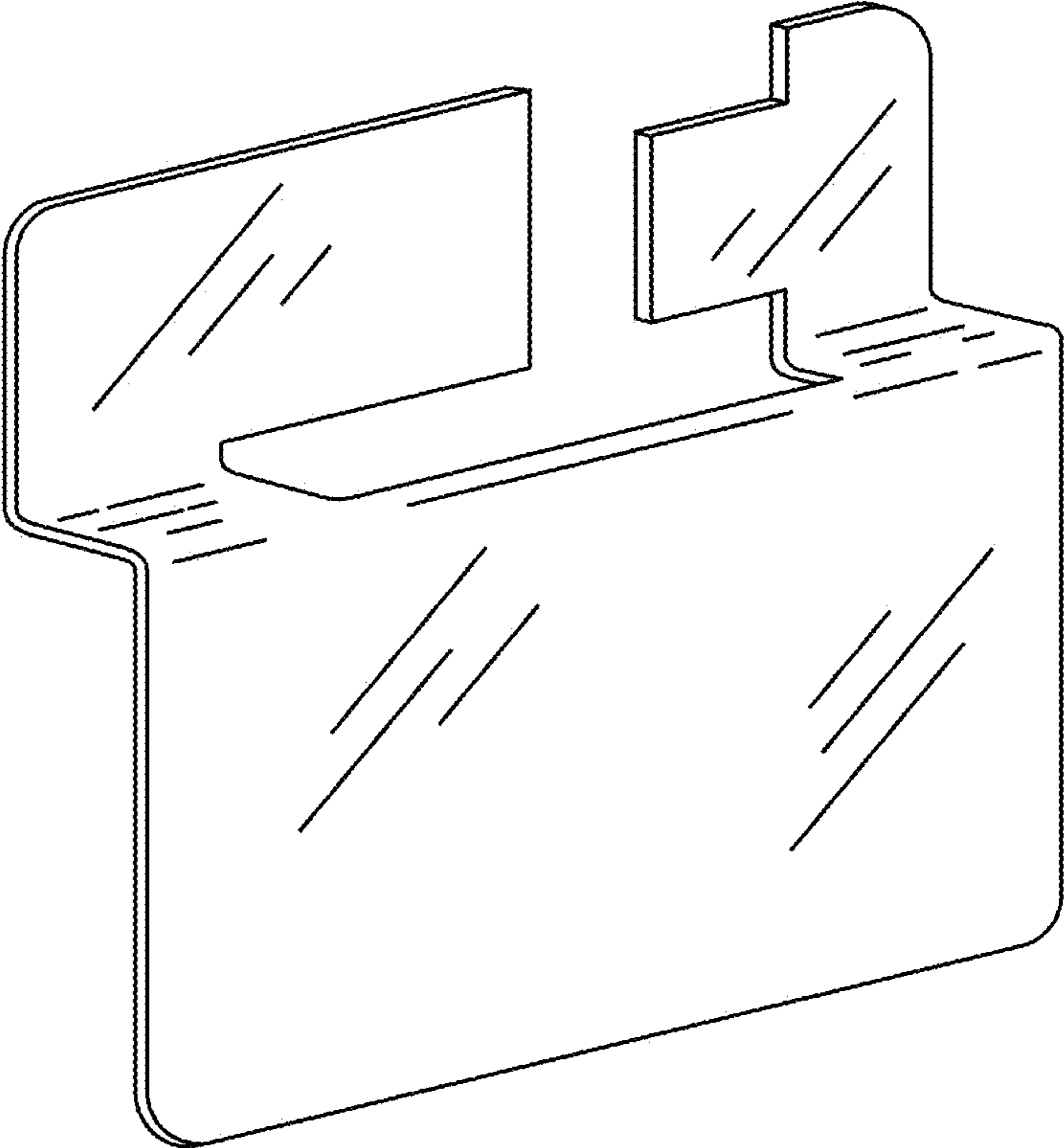


FIG. 5

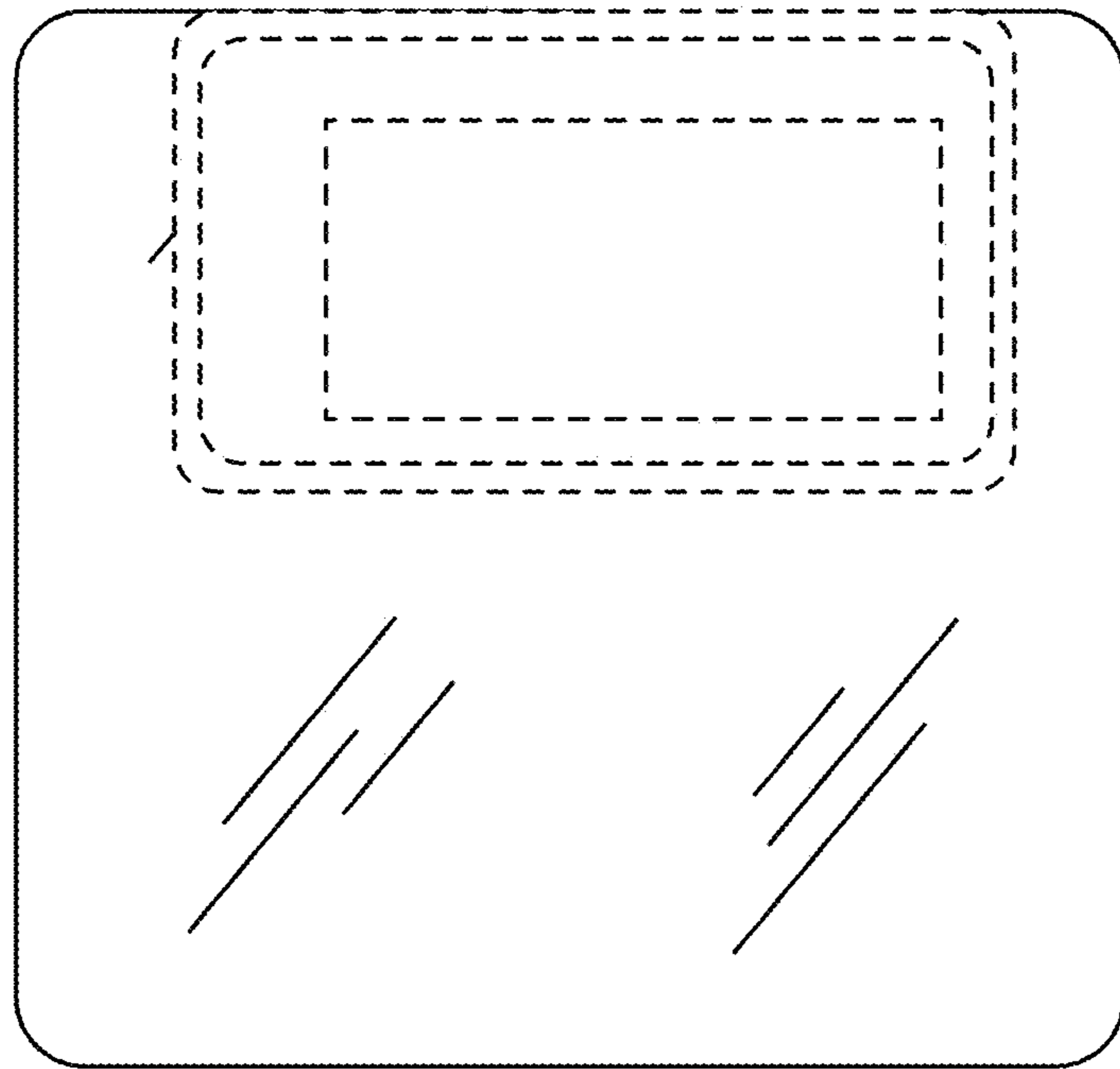


FIG. 6

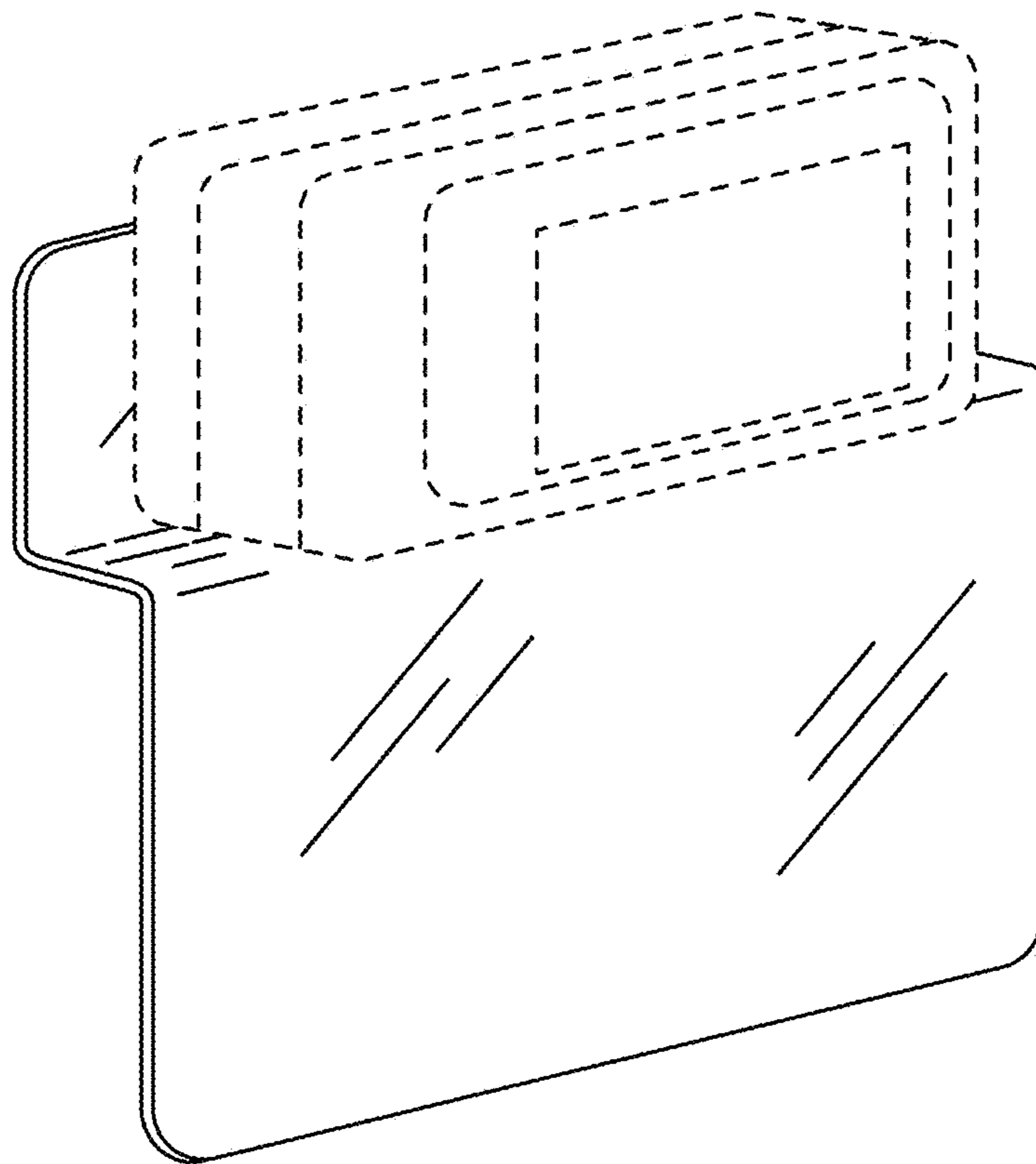


FIG. 7

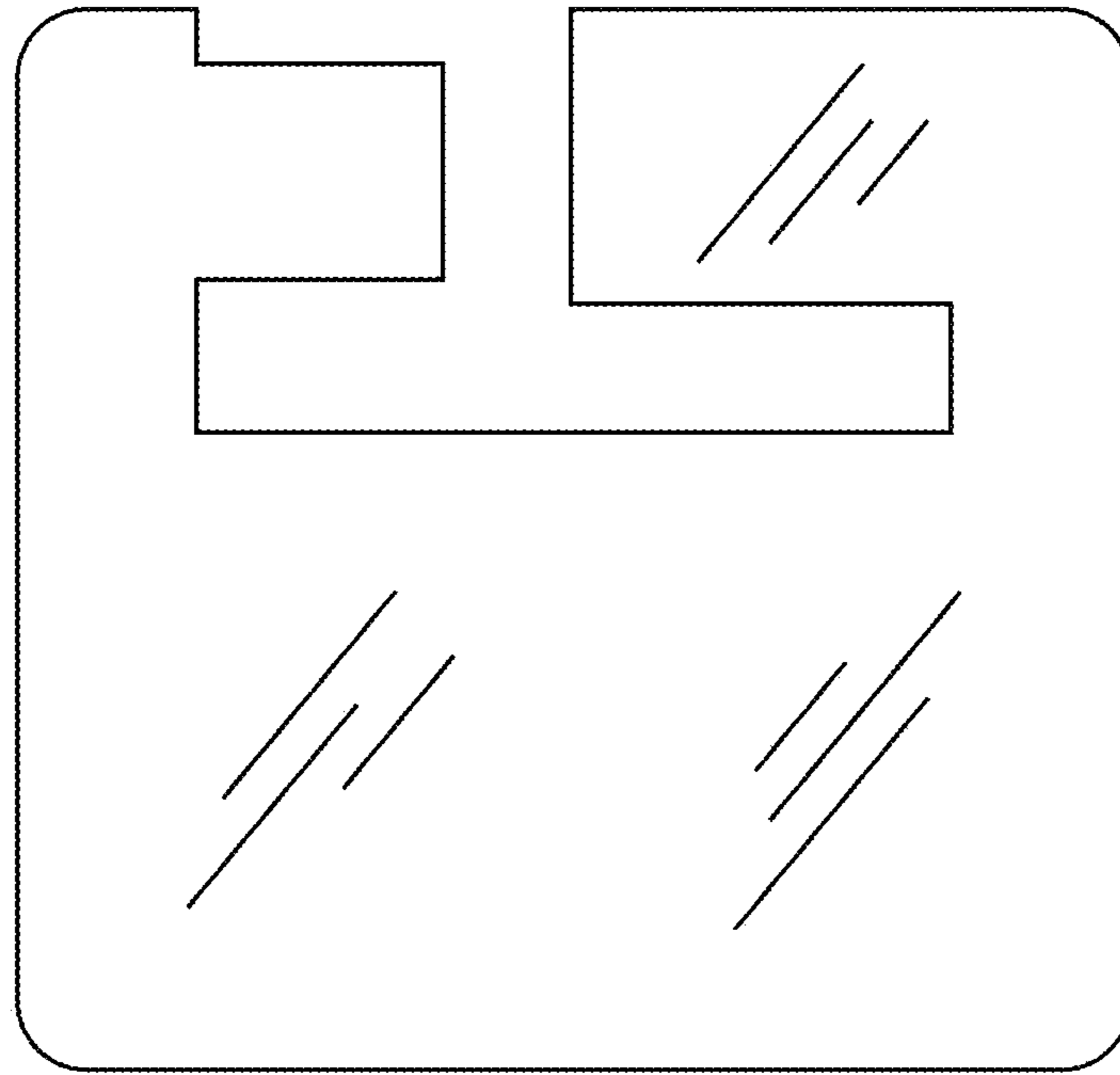


FIG. 8

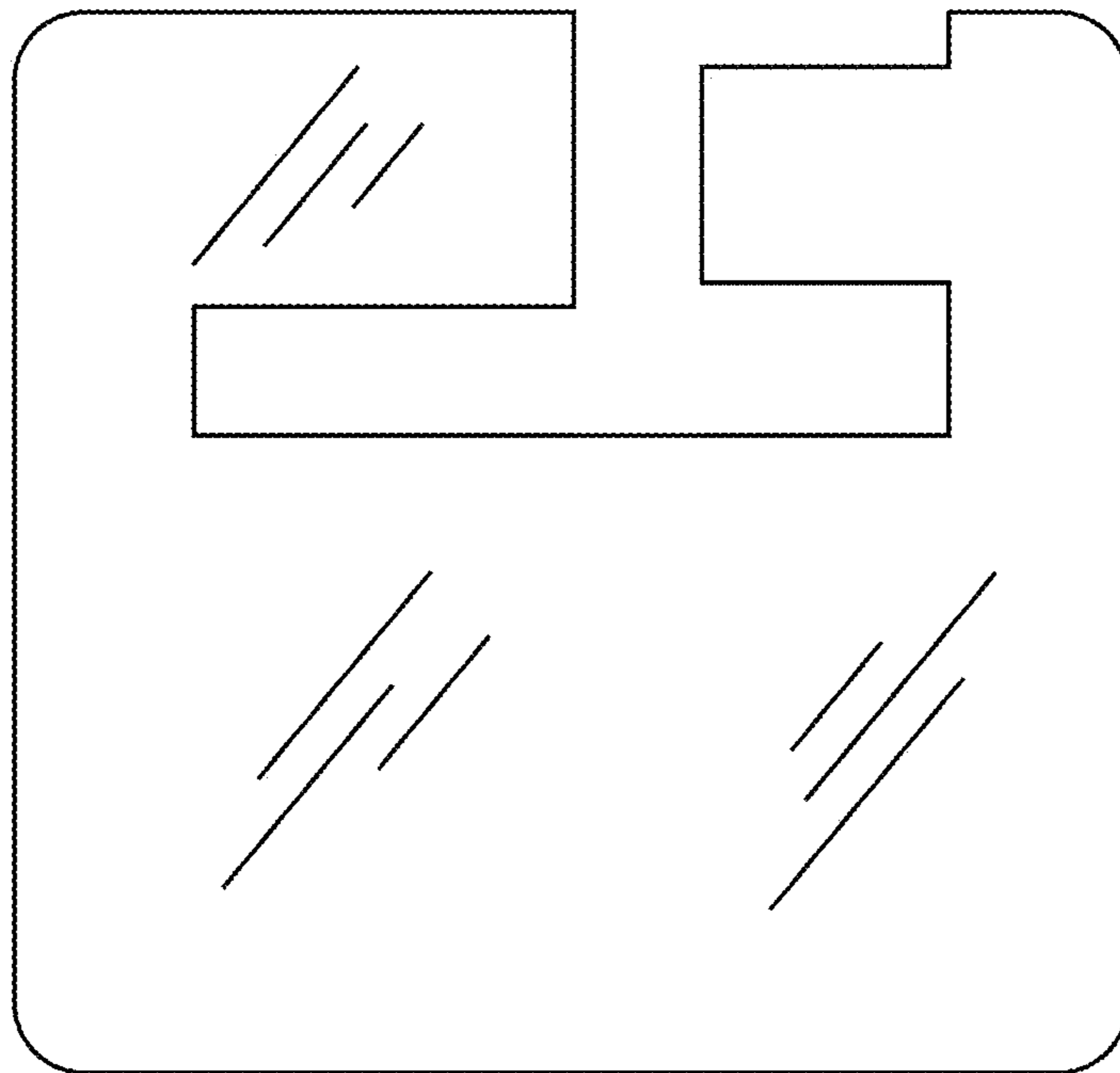


FIG. 9



FIG. 10

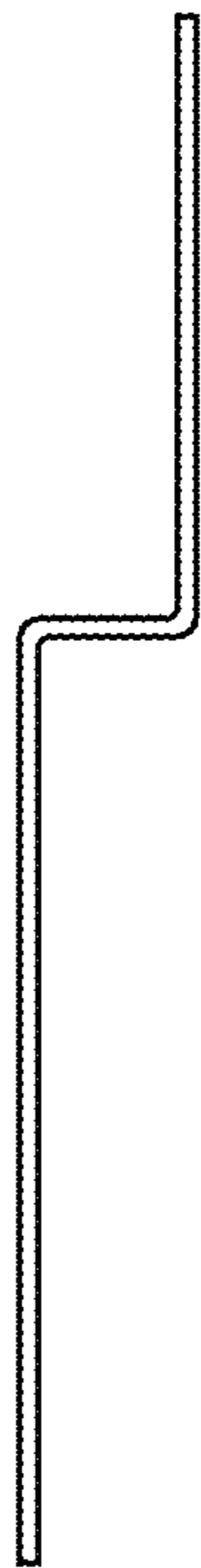


FIG. 11

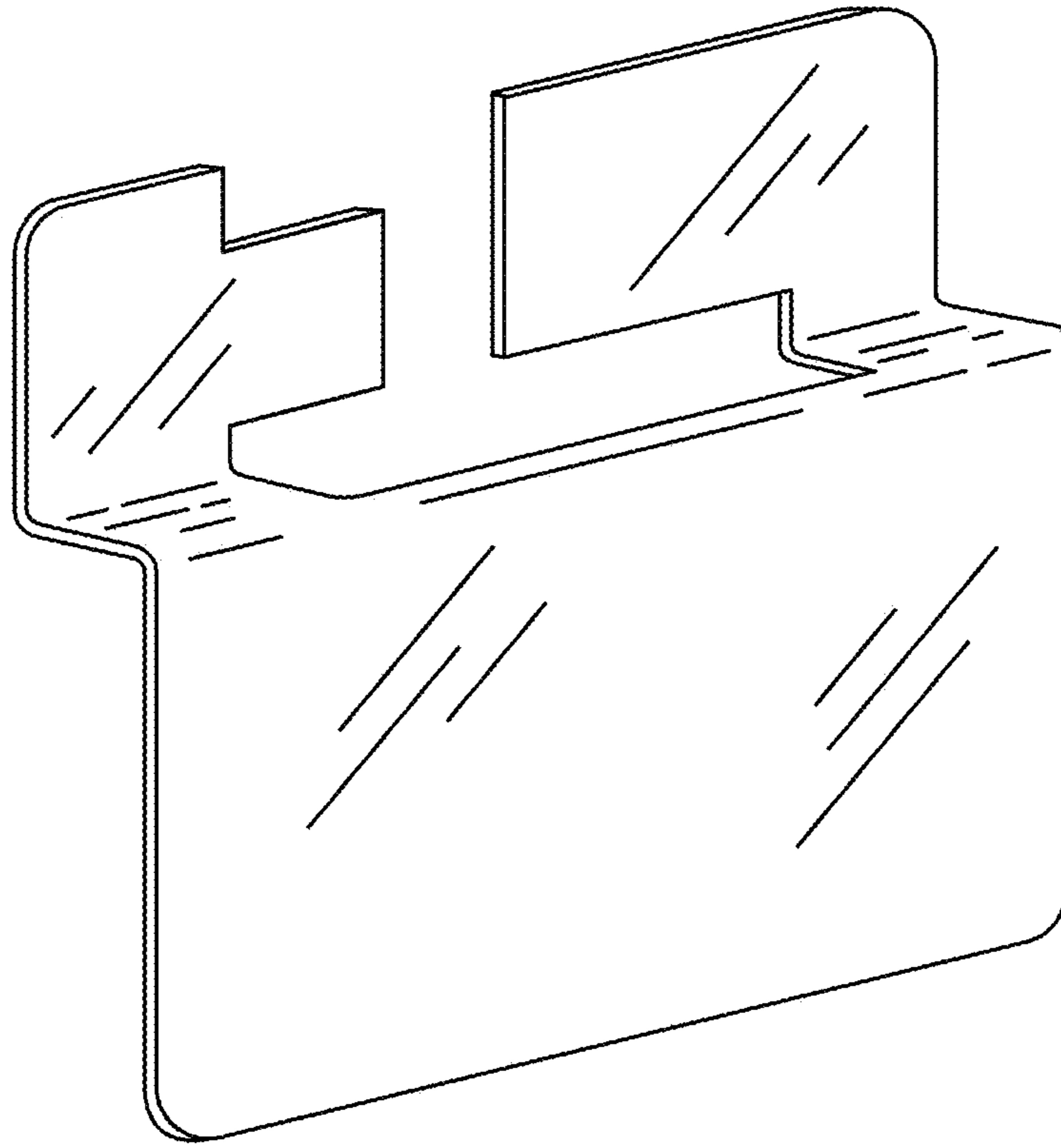


FIG. 12

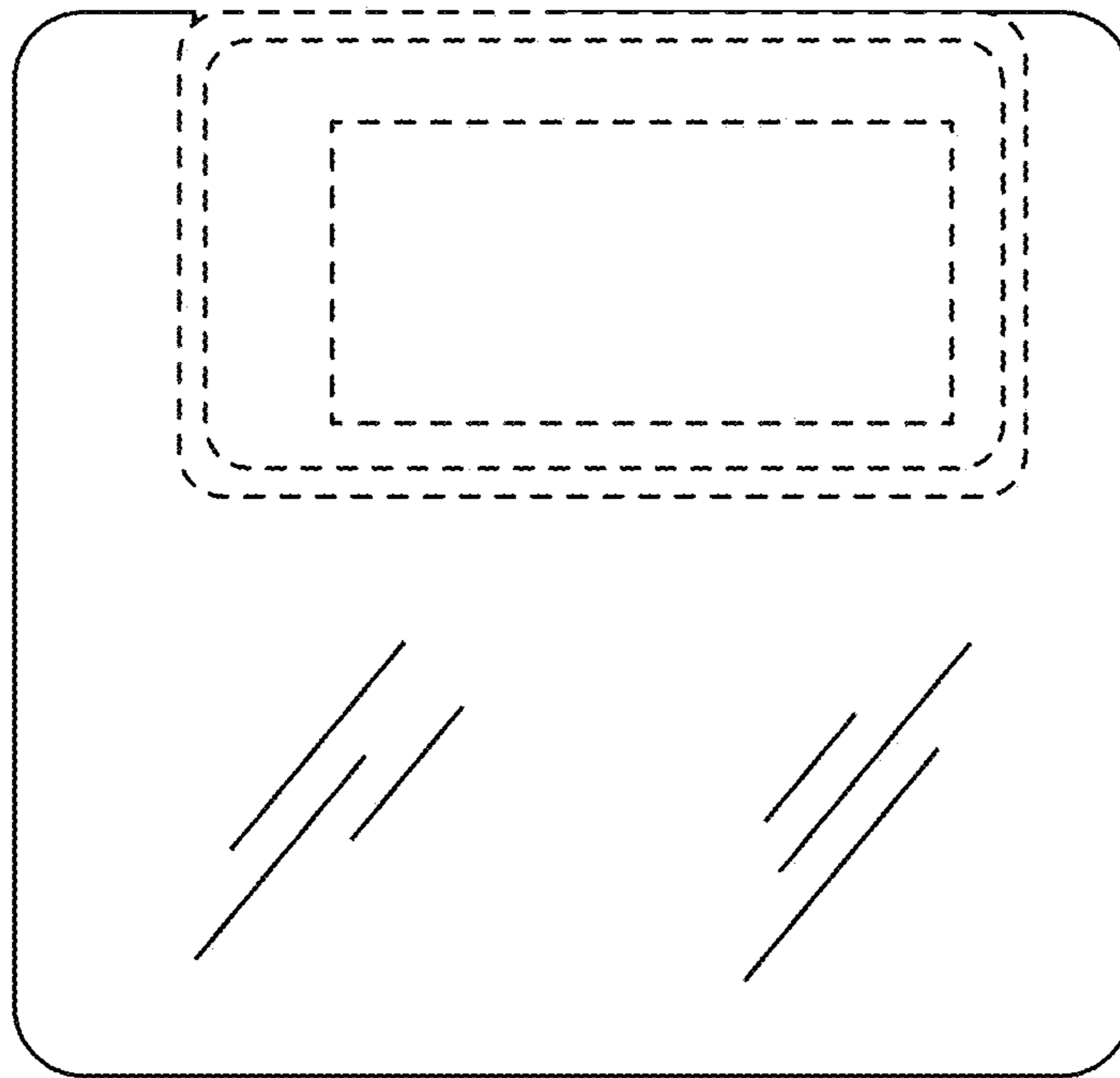


FIG. 13

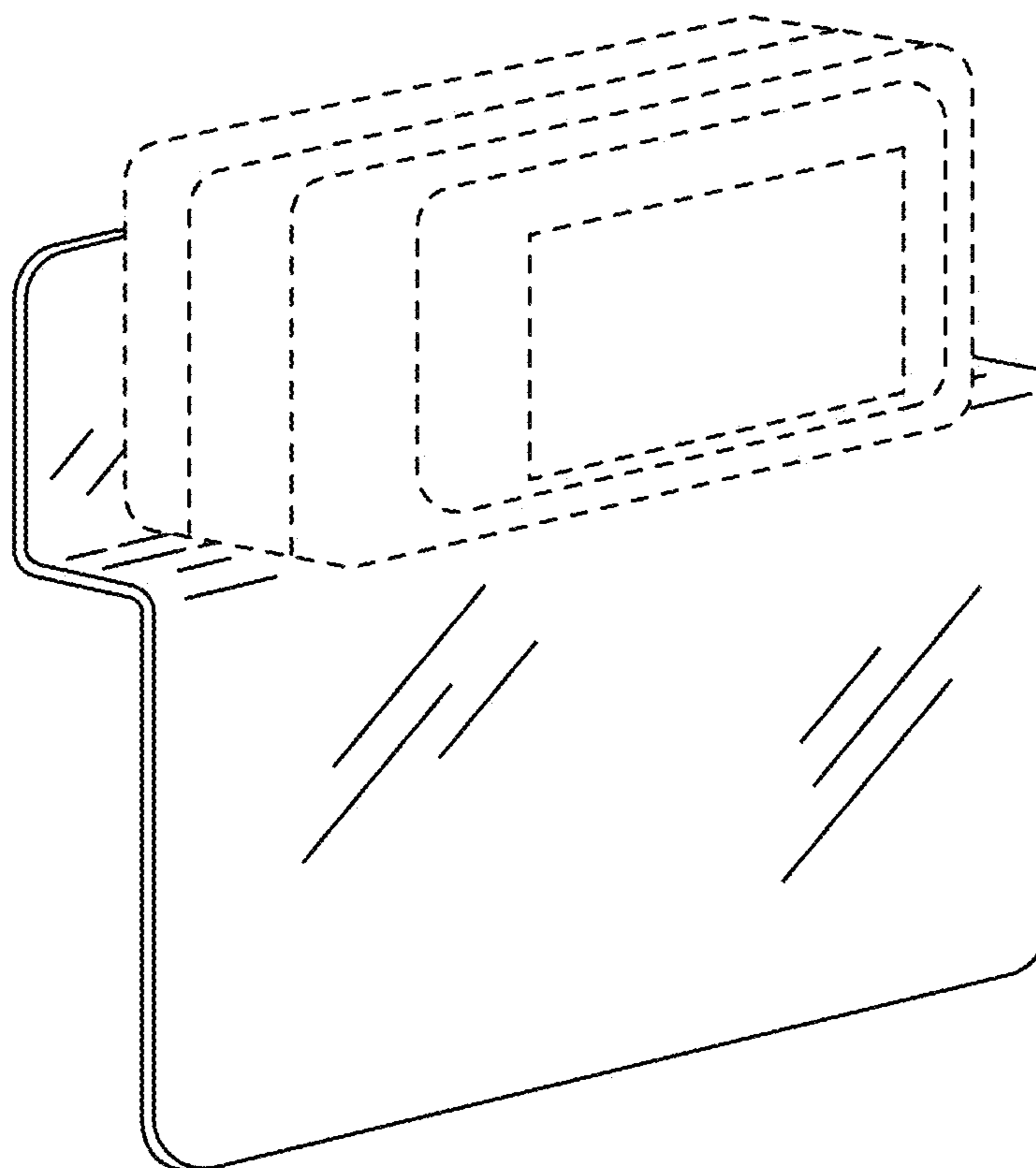


FIG. 14