



US00D909474S

(12) **United States Design Patent** (10) **Patent No.:** **US D909,474 S**
Lee et al. (45) **Date of Patent:** **** Feb. 2, 2021**

(54) **ELECTRONIC WHITEBOARD**
(71) Applicant: **LG Electronics Inc.**, Seoul (KR)
(72) Inventors: **Yongho Lee**, Seoul (KR); **Hyeyoung Hong**, Seoul (KR); **Joe Hyun**, Seoul (KR)
(73) Assignee: **LG Electronics Inc.**, Seoul (KR)
(**) Term: **15 Years**
(21) Appl. No.: **35/507,058**
(22) Filed: **Jan. 10, 2019**

(80) **Hague Agreement Data**
Int. Filing Date: **Jan. 10, 2019**
Int. Reg. No.: **DM/201757**
Int. Reg. Date: **Jan. 10, 2019**
Int. Reg. Pub. Date: **Jul. 12, 2019**

(30) **Foreign Application Priority Data**
Jul. 10, 2018 (KR) 30-2018-0031816

(51) **LOC (13) Cl.** **19-06**
(52) **U.S. Cl.**
USPC **D19/114; D14/374**

(58) **Field of Classification Search**
USPC D14/125-134, 136, 159, 239, 315-318, D14/336, 339-340, 341-347, 420, 426, D14/240, 496, 137, 138 R, 138 AA, D14/138 AB, 138 AC, 138 AD, 138 C, D14/138 G, 147, 203.1-203.8, 218, 247, D14/371, 248, 388-389, 373-376, 448, D14/450; D6/308, 310, 681.1, 682; D10/104.1, 50, 65; D18/6-7; D19/26, D19/59, 60, 113, 114; D20/10, 41, 42,
(Continued)

(56) **References Cited**
U.S. PATENT DOCUMENTS
4,727,431 A * 2/1988 Nakamura H04N 1/38 358/401
4,752,803 A * 6/1988 Sakurai G03G 15/221 399/1
(Continued)

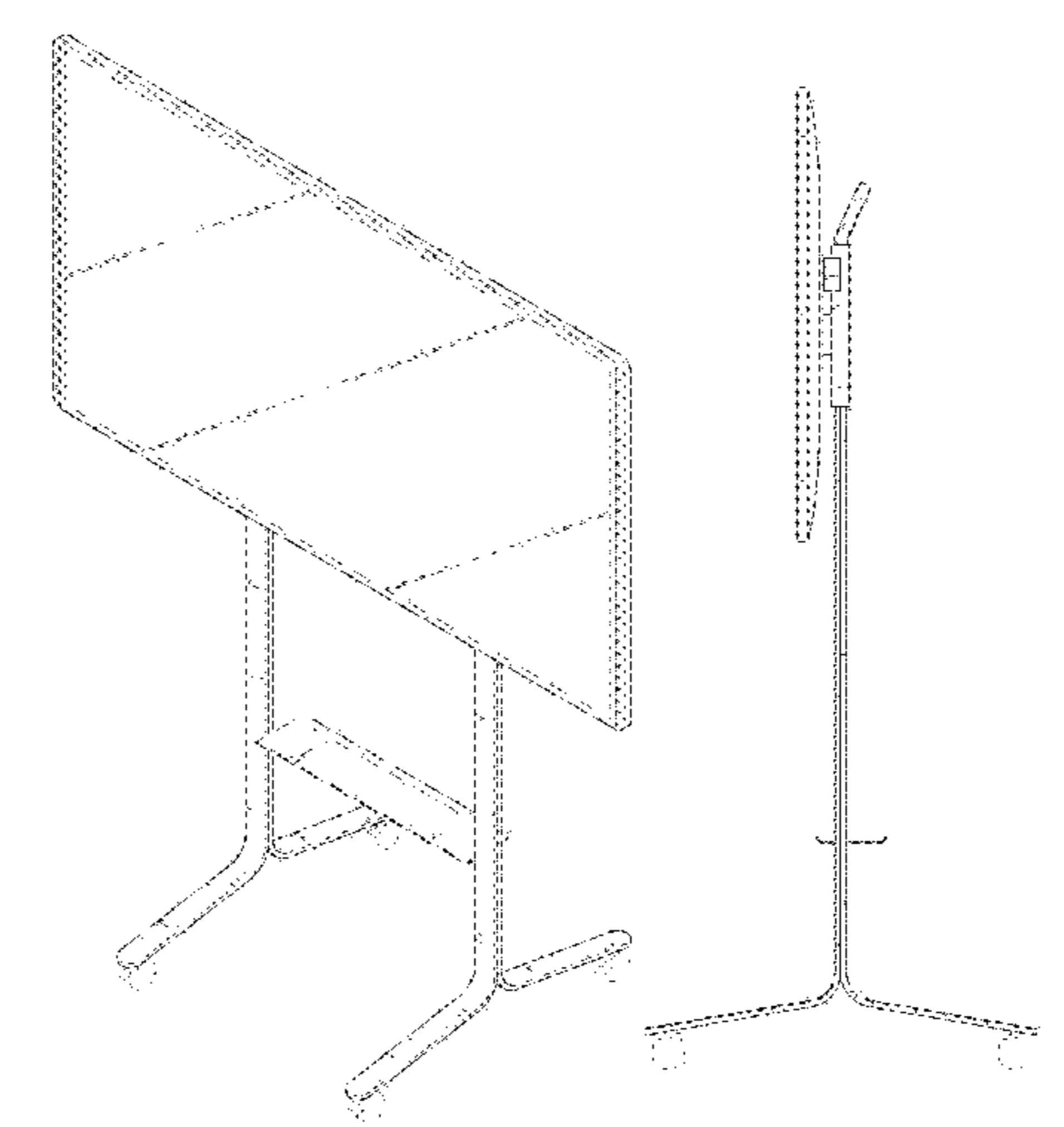
FOREIGN PATENT DOCUMENTS
CN 305758664 * 5/2020
JP D1573095 * 4/2017
(Continued)

OTHER PUBLICATIONS
MasterVision BI350420, no date available, [retrieved May 29, 2020]. Available from Internet, URL: <https://www.webstaurantstore.com/mastervision-bi350420-mobile-interactive-board-stand-with-projector-arm/570BI350420.html> (Year: 2020).*
(Continued)

Primary Examiner — Dana K Weiland
(74) *Attorney, Agent, or Firm* — Birch, Stewart, Kolasch & Birch, LLP

(57) **CLAIM**
The ornamental design for an electronic whiteboard, as shown and described.

DESCRIPTION
1. Electronic whiteboard
1.1 is a front perspective view of an electronic whiteboard showing the new design;
1.2 is a front view thereof;
1.3 is a back view thereof;
1.4 is a left side view thereof;
(Continued)



1.5 is a right side view thereof;

1.6 is a top view thereof; and

1.7 is a bottom view thereof.

The broken lines depict portions of the electronic whiteboard that form no part of the claimed design.

1 Claim, 7 Drawing Sheets

(58) **Field of Classification Search**

USPC D20/27, 39; D21/324, 329, 330, 332, D21/515

CPC G06F 3/044; G06F 1/1613; G06F 1/1626; G06F 2200/1633; G06F 3/0488; G06F 3/04886; G06F 3/0412; G06F 3/0416; H04B 1/3833

See application file for complete search history.

(56)

References Cited

U.S. PATENT DOCUMENTS

D300,041 S * 2/1989 Kurozumi D18/36
 D300,149 S * 3/1989 Yamada D19/114
 D300,150 S * 3/1989 Ishii D18/36
 4,905,040 A * 2/1990 Nagai G03B 27/625
 355/43
 5,529,501 A * 6/1996 Maruyama B43K 8/22
 345/179
 D401,625 S * 11/1998 Verbeek D19/114
 D627,394 S * 11/2010 Nakayama D19/114
 D658,142 S * 4/2012 Chiu D14/129
 D671,170 S * 11/2012 Udagawa D19/114
 D710,847 S * 8/2014 Ozolins D14/128
 D720,709 S * 1/2015 Lee D14/126
 D732,496 S * 6/2015 Mellingen D14/126
 D739,464 S * 9/2015 Liu D14/371

D742,863 S * 11/2015 Aoyagi D14/239
 D782,432 S * 3/2017 So D14/126
 D791,232 S * 7/2017 Terada D19/114
 D807,312 S * 1/2018 Jeong D14/126
 D807,880 S * 1/2018 Varghese D14/371
 D809,600 S * 2/2018 Anderson D19/113
 D812,611 S * 3/2018 Yu D14/371
 D822,108 S * 7/2018 Avallon D19/114
 D822,109 S * 7/2018 Avallon D19/114
 D837,173 S * 1/2019 Lyngra D14/126
 D837,296 S * 1/2019 Martin D19/114
 D852,272 S * 6/2019 Lim D19/113
 D855,612 S * 8/2019 Lim D14/374
 D864,296 S * 10/2019 Park D19/113
 D872,800 S * 1/2020 Kan D19/113
 D877,104 S * 3/2020 Khan D14/126
 D884,697 S * 5/2020 Park D14/375
 D894,277 S * 8/2020 Lee D19/113
 2006/0101682 A1 * 5/2006 Shi G06F 3/046
 40/446

FOREIGN PATENT DOCUMENTS

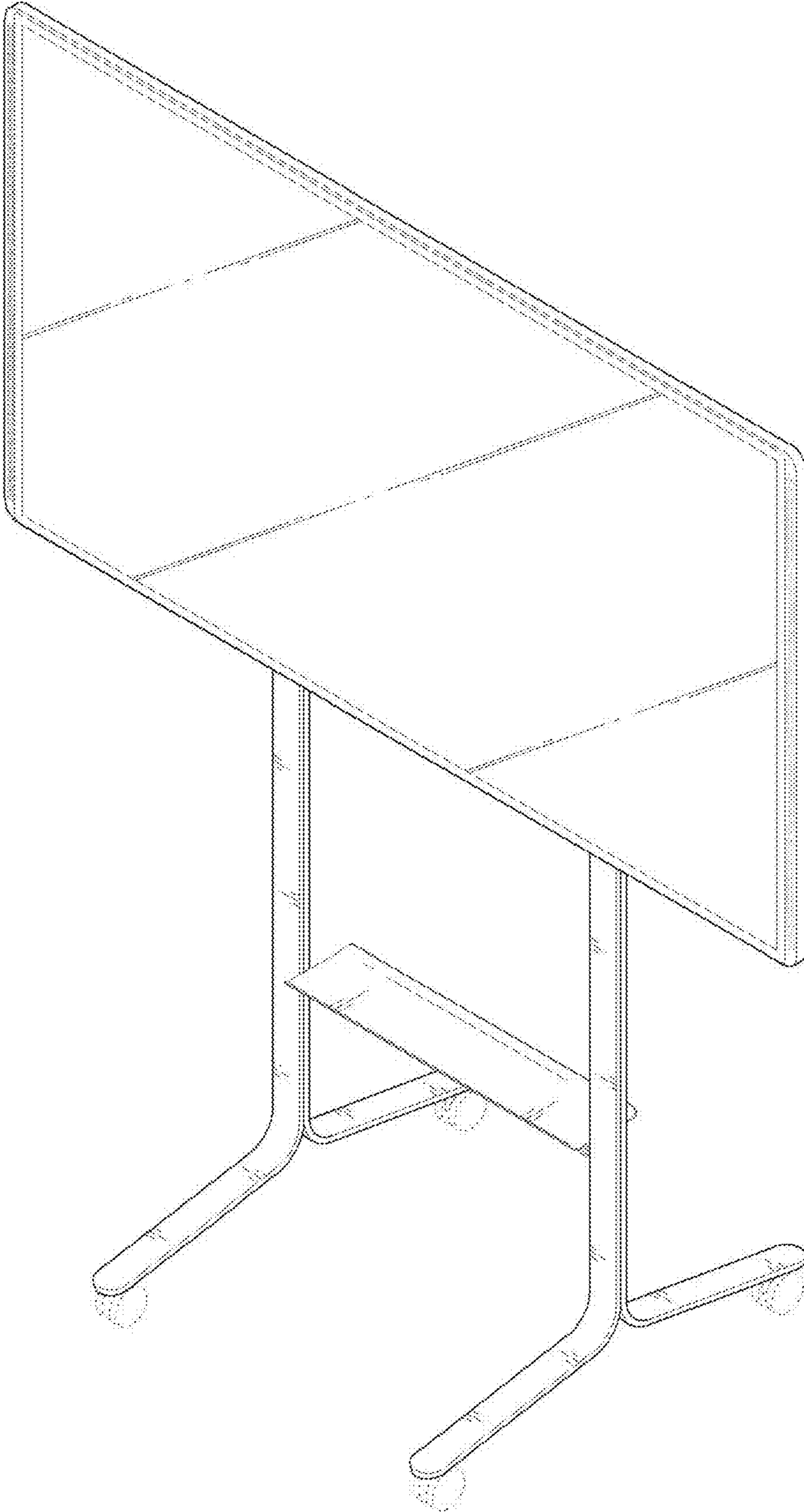
WO D201757-001 * 7/2019
 WO D201822-002 * 7/2019

OTHER PUBLICATIONS

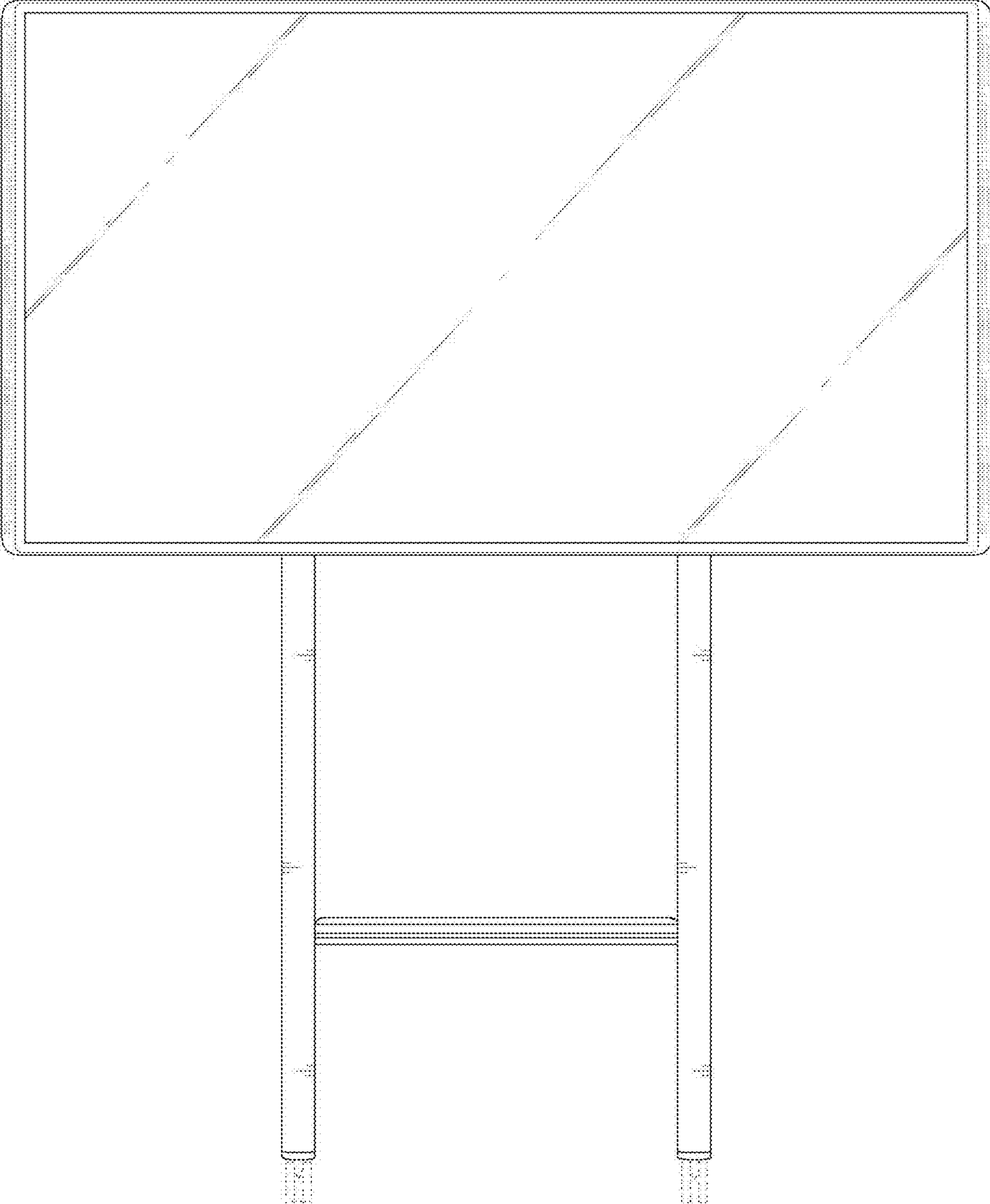
Mobile Floor Stand for 64" to 90" Smart Board Interactive Whiteboards, no date available, [retrieved May 29, 2020]. Available from Internet, URL: <<https://www.futurevisuals.co.uk/product/mobile-floor-stand-for-77-to-87-smart-board-interactive-whiteboards/>> (Year: 2020).
 Ricoh Interactive Whiteboard—D5510, no date available, [retrieved May 29, 2020]. Available from Internet, URL: <<https://www.focusedtechnology.com/ricoh-d5510-whiteboard.html>> (Year: 2020).*

* cited by examiner

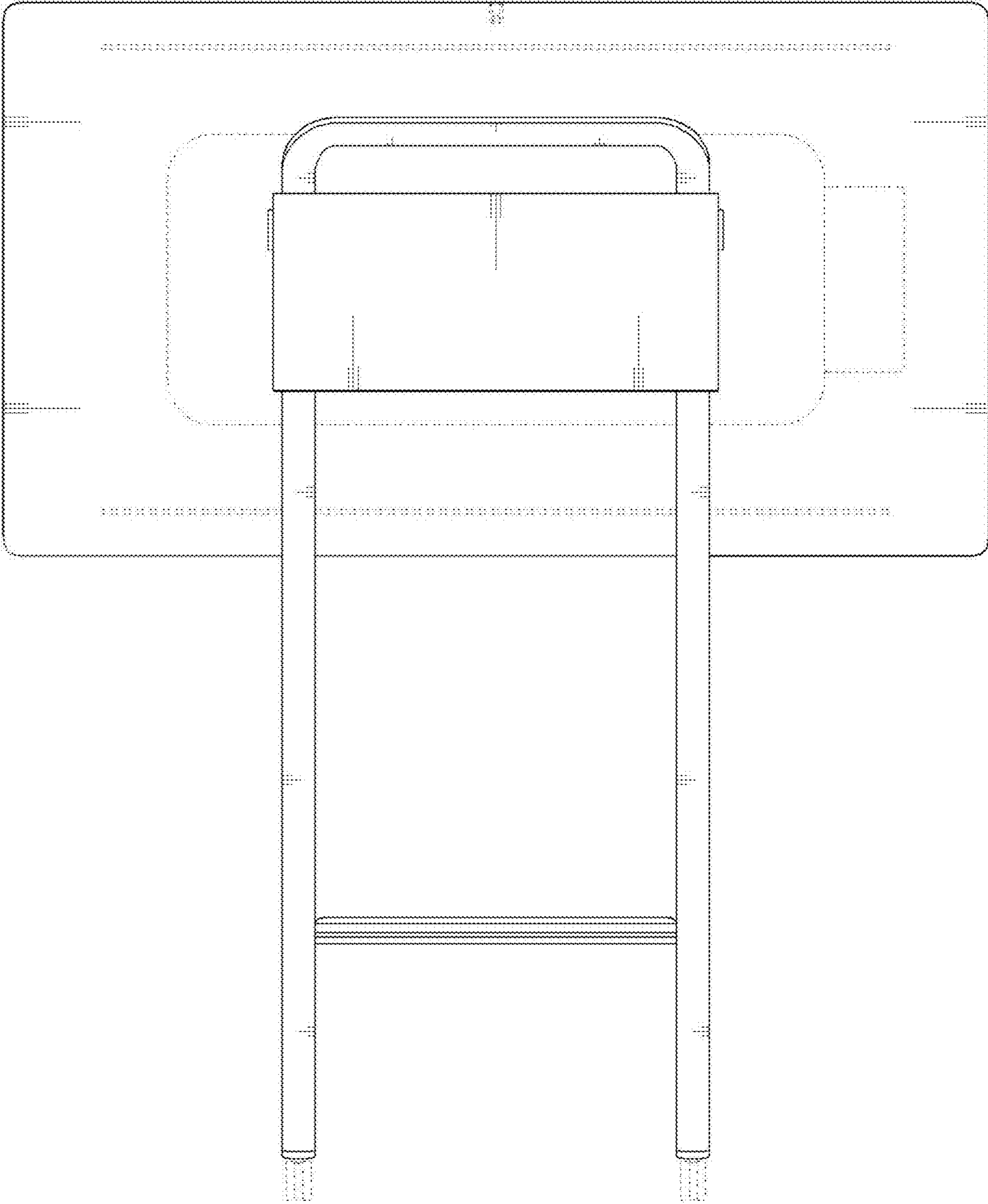
1.1



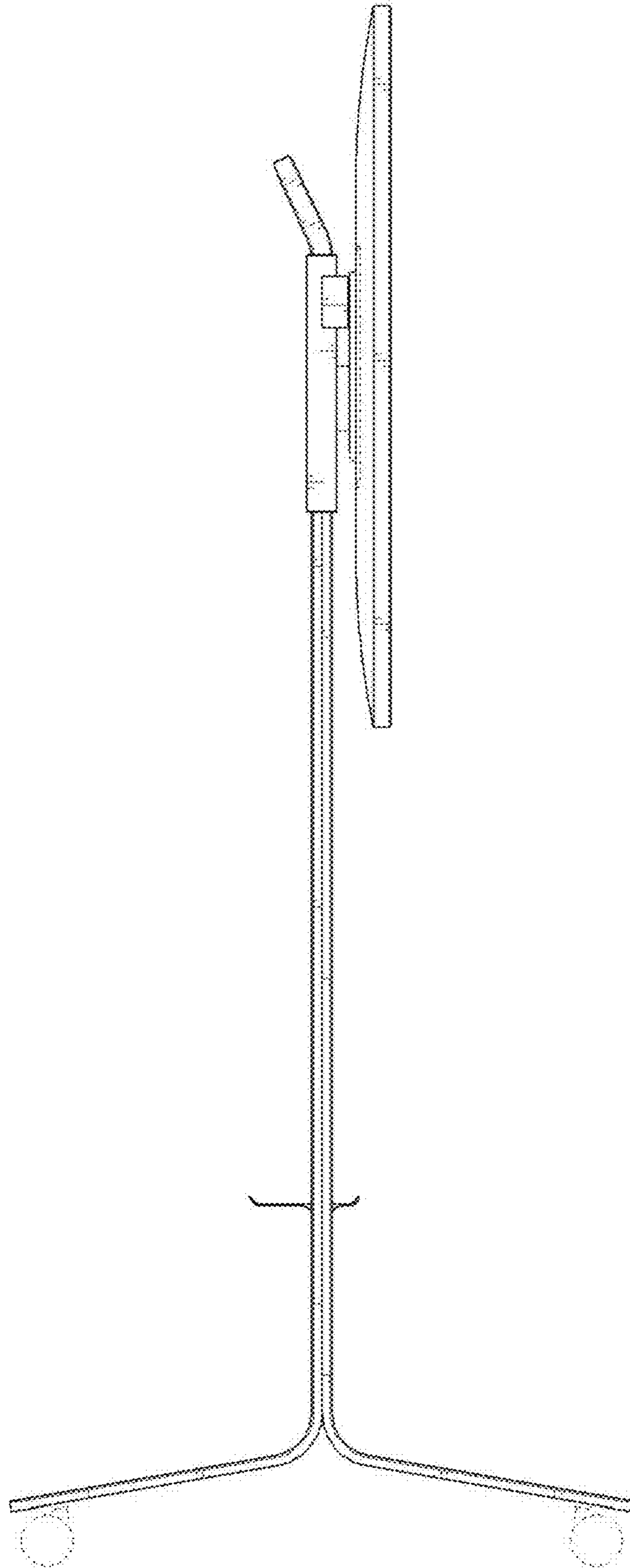
1.2



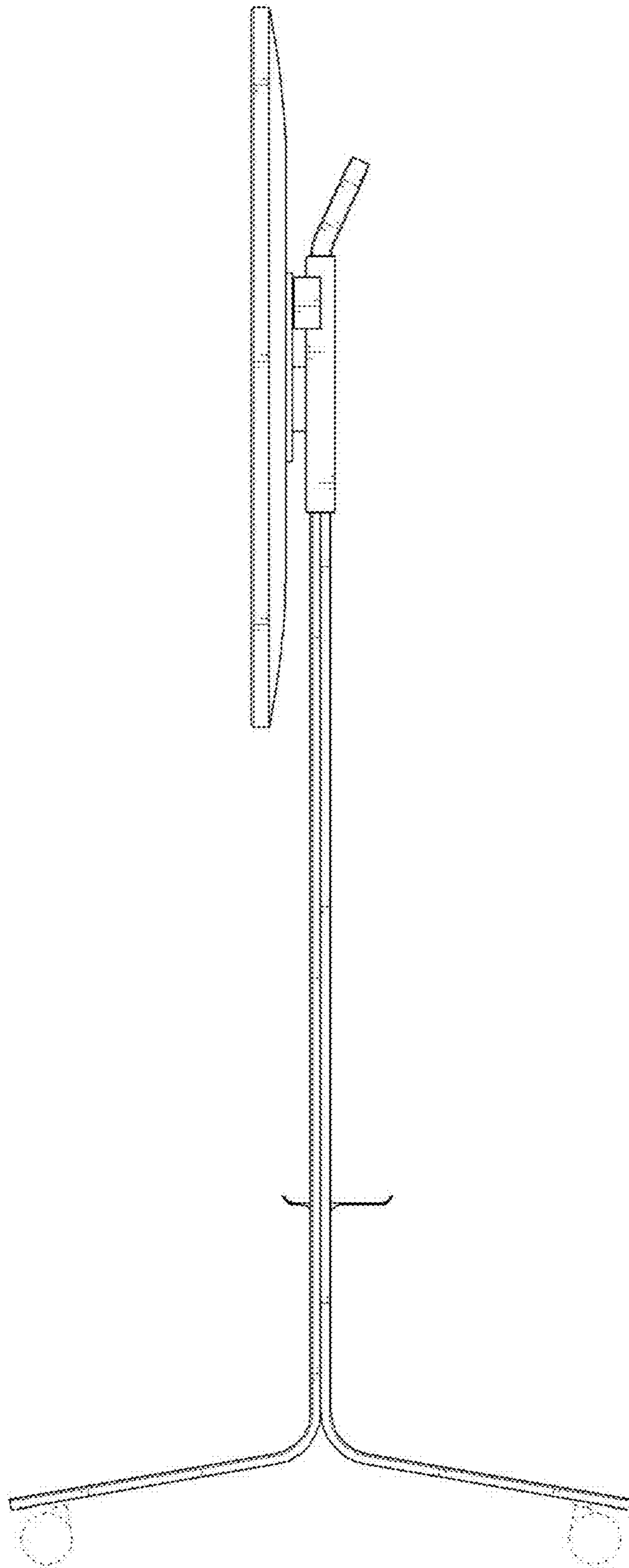
1.3



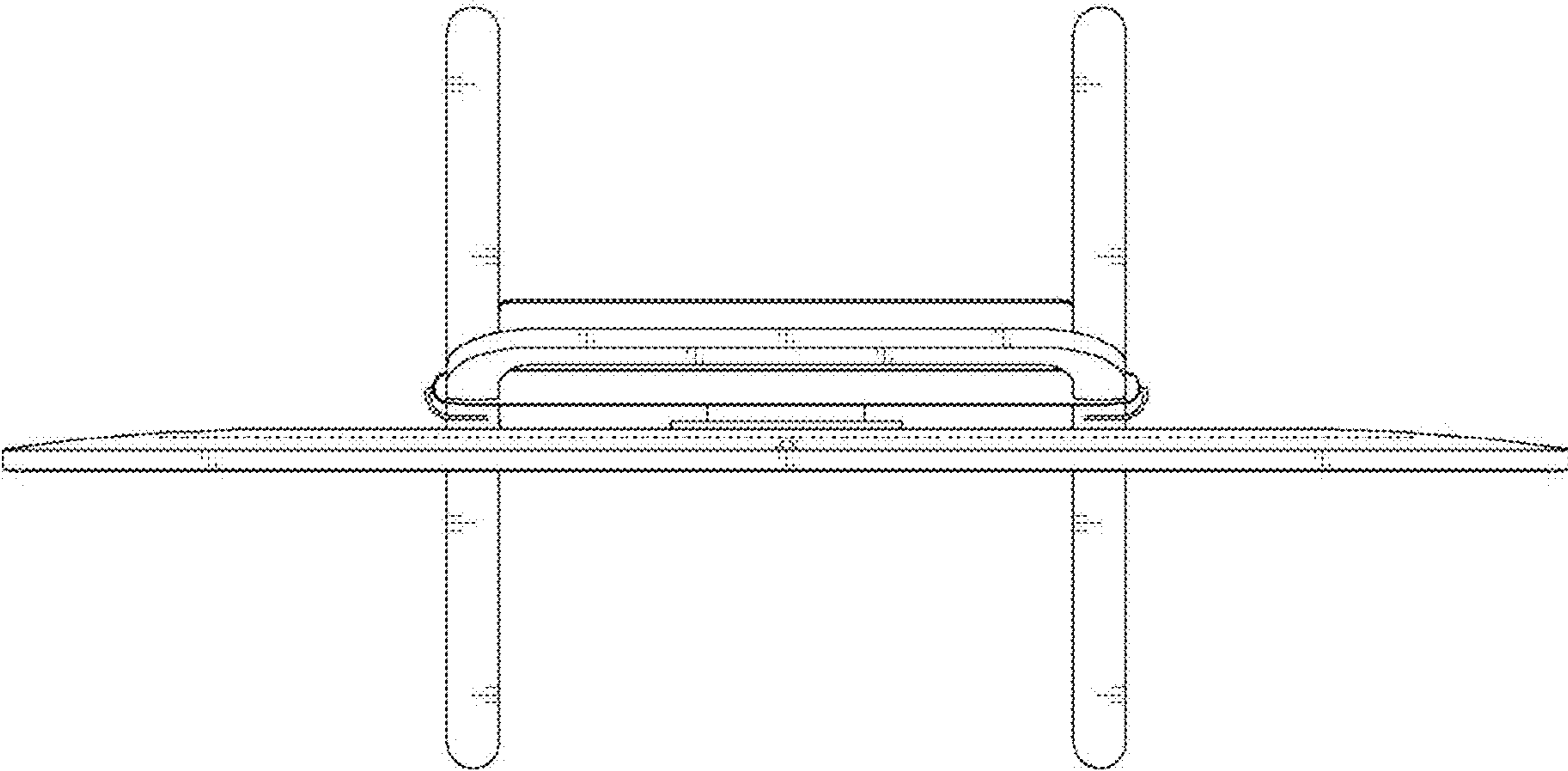
1.4



1.5



1.6



1.7

