



US00D909471S

(12) **United States Design Patent**
Chen

(10) **Patent No.:** **US D909,471 S**

(45) **Date of Patent:** **** Feb. 2, 2021**

(54) **TAPE CASSETTE**

(71) Applicant: **ZHONGSHAN JIGUAN SCIENCE AND TECHNOLOGY CO., LTD.**,
Zhongshan (CN)

(72) Inventor: **Liangyong Chen**, Zhongshan (CN)

(73) Assignee: **ZHONGSHAN JIGUAN SCIENCE AND TECHNOLOGY CO., LTD.**,
Zhongshan (CN)

(**) Term: **15 Years**

(21) Appl. No.: **29/732,623**

(22) Filed: **Apr. 27, 2020**

(51) **LOC (13) Cl.** **18-02**

(52) **U.S. Cl.**
USPC **D18/56**

(58) **Field of Classification Search**
USPC D18/56, 12, 14, 15, 16, 17, 18, 19, 36,
D18/37, 38, 39, 40, 41, 45, 50, 53, 54,
D18/55; D19/65, 66, 67, 68, 69, 70, 71;
D14/301, 307, 121
CPC H04N 1/00204; H04N 1/00249; H04N
1/00278; G06K 15/12; G06K 15/14; B41J
3/00; B41J 3/28; B41J 3/445; B41J 3/46;
B41J 11/0045; B41J 2/3358; B41J 3/36;
B41J 3/382

See application file for complete search history.

(56) **References Cited**

U.S. PATENT DOCUMENTS

D347,241 S * 5/1994 Watanabe D18/56
D391,287 S * 2/1998 Katayama D18/12
5,853,254 A * 12/1998 Inakoshi B41J 15/044
400/207
5,921,688 A * 7/1999 Furuya B41J 17/32
101/288
D423,566 S * 4/2000 Hosono D18/56
D475,058 S 5/2003 Suzuki

D537,105 S * 2/2007 Obenshain D18/12
D580,972 S * 11/2008 Yuen D18/56
D720,804 S * 1/2015 Van Den Broecke D18/56
9,579,903 B2 * 2/2017 Sodeyama B41J 2/325
D787,586 S * 5/2017 Van Den Broecke D18/56

(Continued)

FOREIGN PATENT DOCUMENTS

CA 2347349 A1 * 11/2001 B41J 32/00
CN 303612754 * 6/2016

(Continued)

OTHER PUBLICATIONS

Amazon. Link: https://www.amazon.com/dp/B086MLTFM8/ref=cm_sw_em_r_mt_dp_U_LzD.EbBC03C41. Apr. 1, 2020. Bigger Compatible Label Tape Replacement for Epson LabelWorks Standard LK-4WBN Tape Cartridge by surmax. (Year: 2020).*

Primary Examiner — Lauren D McVey

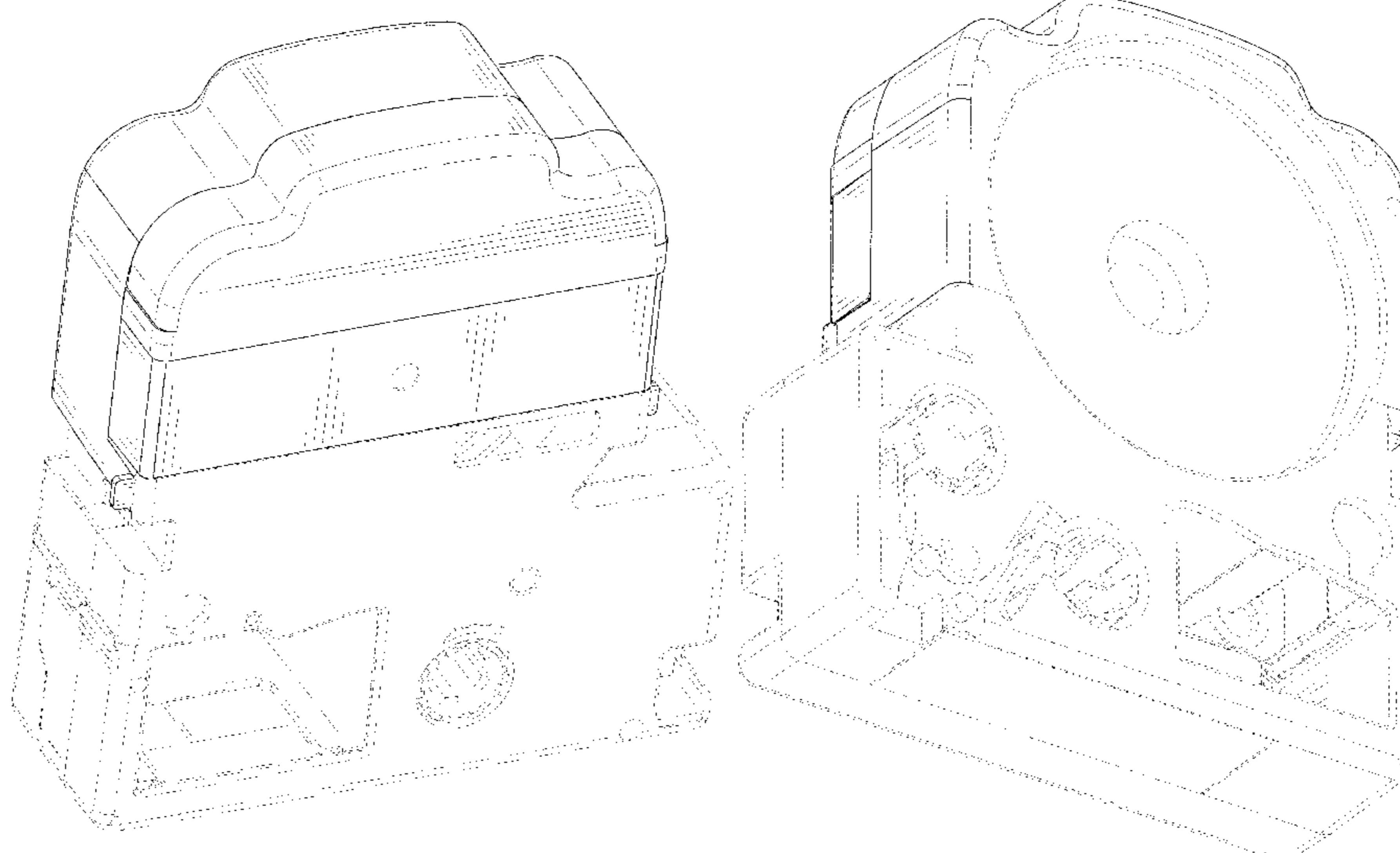
(57) **CLAIM**

The ornamental design for a tape cassette, as shown and described.

DESCRIPTION

FIG. 1 is a perspective view of a tape cassette showing my new design;
FIG. 2 is another perspective view thereof;
FIG. 3 is a front elevational view thereof;
FIG. 4 is a rear elevational view thereof;
FIG. 5 is a left side elevational view thereof;
FIG. 6 is a right side elevational view thereof;
FIG. 7 is a top plan view thereof; and,
FIG. 8 is a bottom plan view thereof.
The broken lines immediately adjacent to the shaded areas depict the bounds of the claimed design, while all other broken lines are directed to environment. The broken lines form no part of the claimed design.

1 Claim, 8 Drawing Sheets



(56)

References Cited

U.S. PATENT DOCUMENTS

D788,195 S * 5/2017 Liu D15/122
D798,382 S * 9/2017 Smith D18/56
2002/0096063 A1 7/2002 Yokozawa
2014/0105663 A1 4/2014 Yamaguchi

FOREIGN PATENT DOCUMENTS

EM 001900689-0001 * 8/2011
JP 2002103284 A * 4/2002 B26D 5/08
JP 2011131312 A * 7/2011 B26D 3/08

* cited by examiner

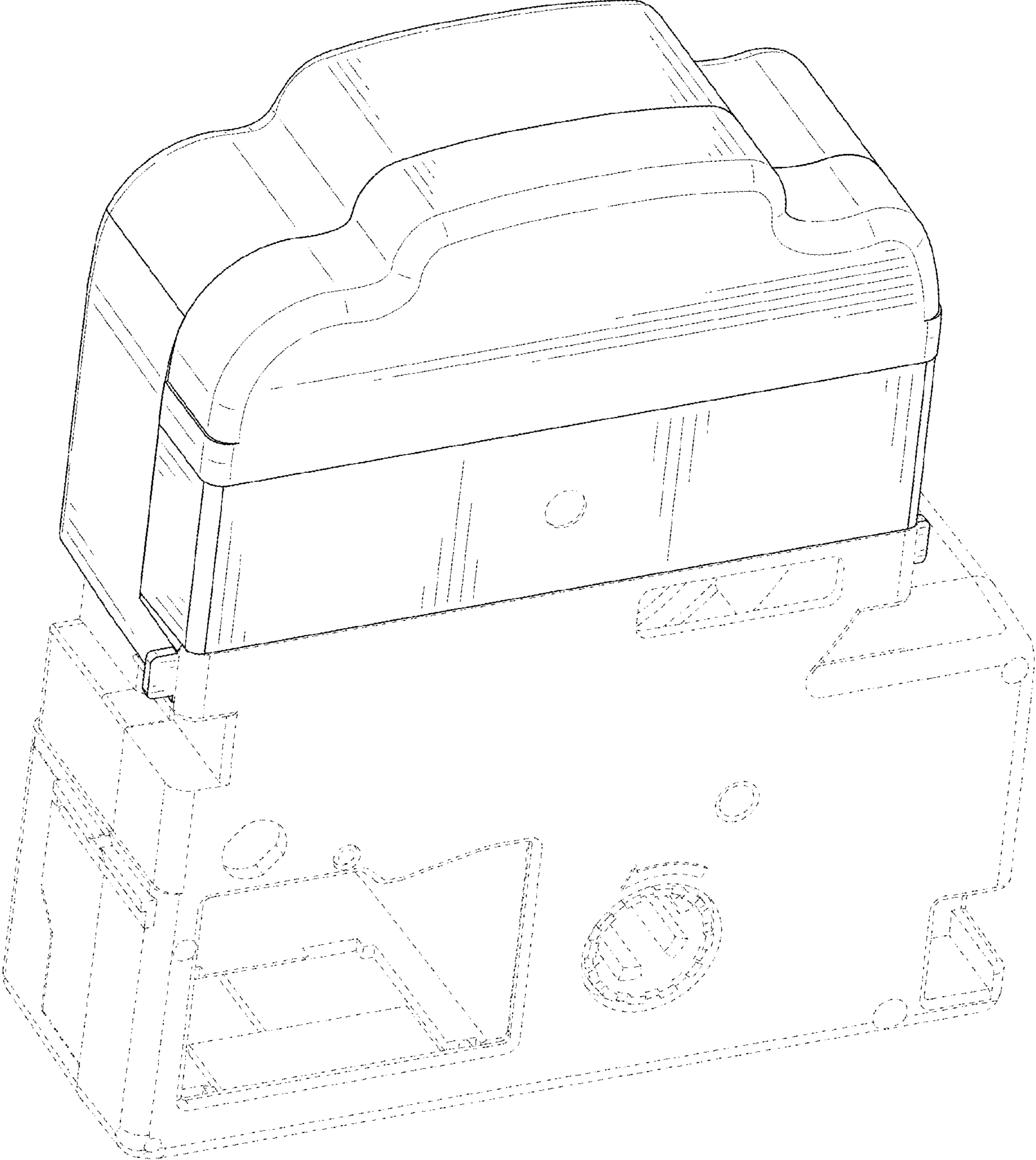


FIG. 1

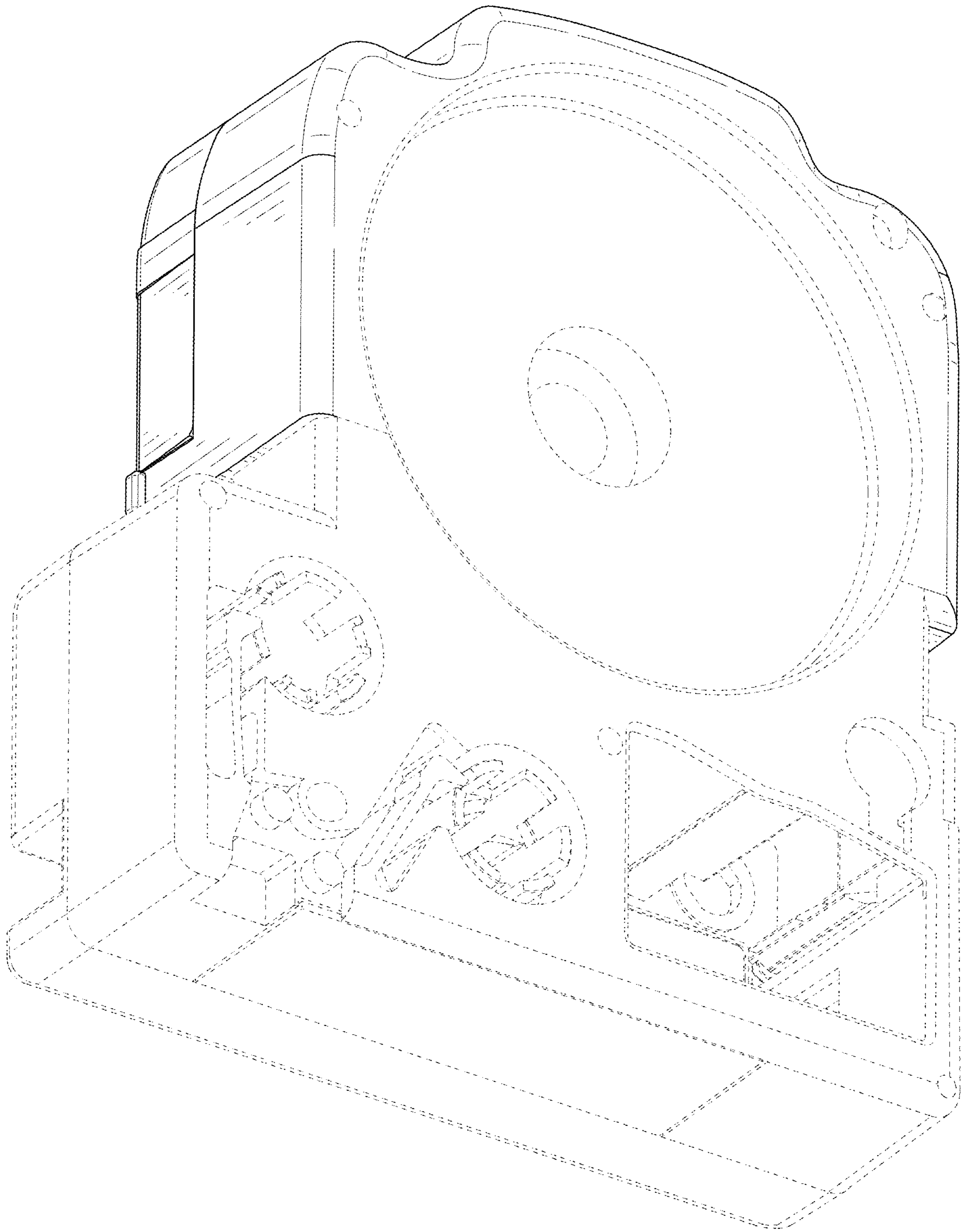


FIG. 2

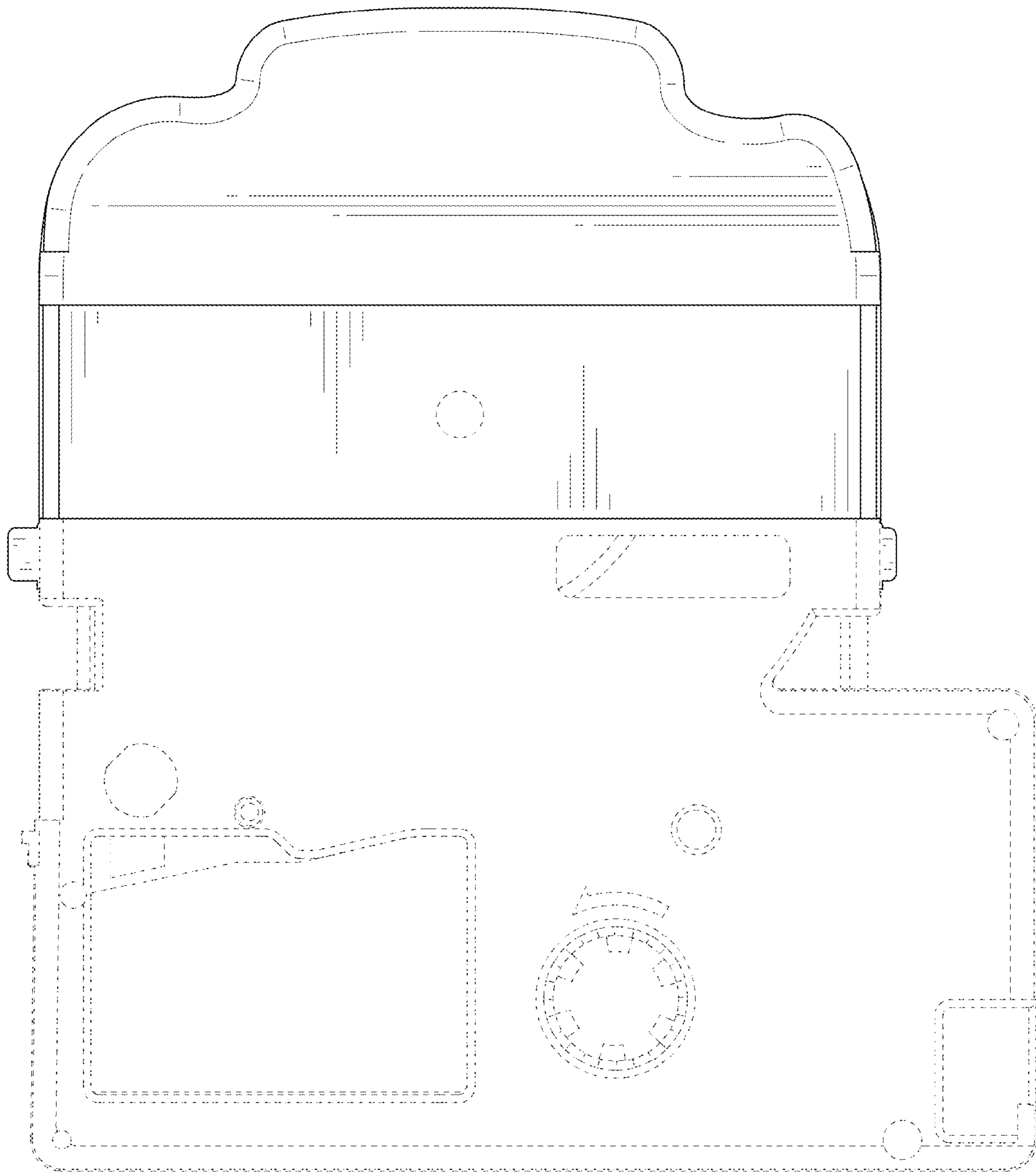


FIG. 3

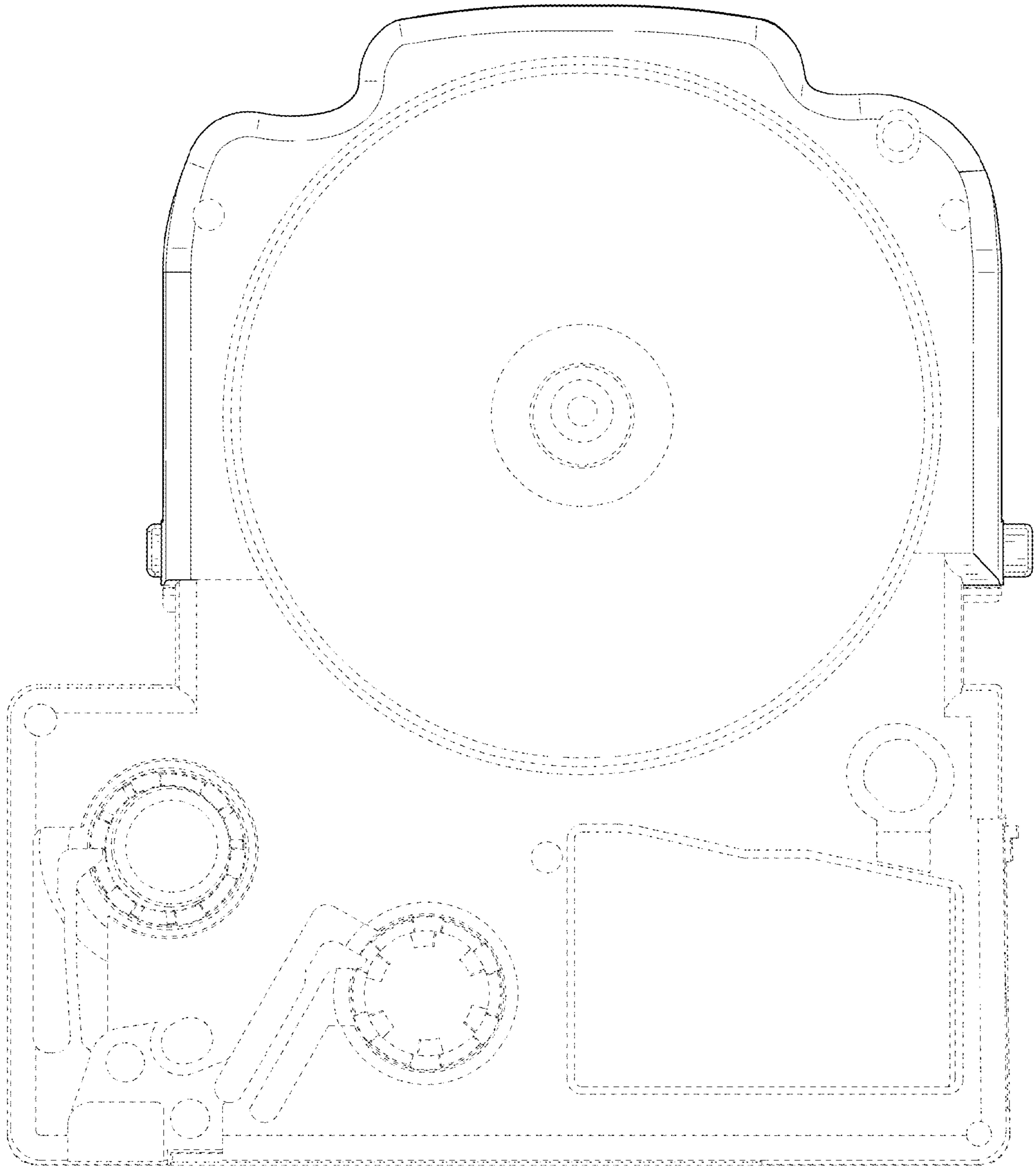


FIG. 4

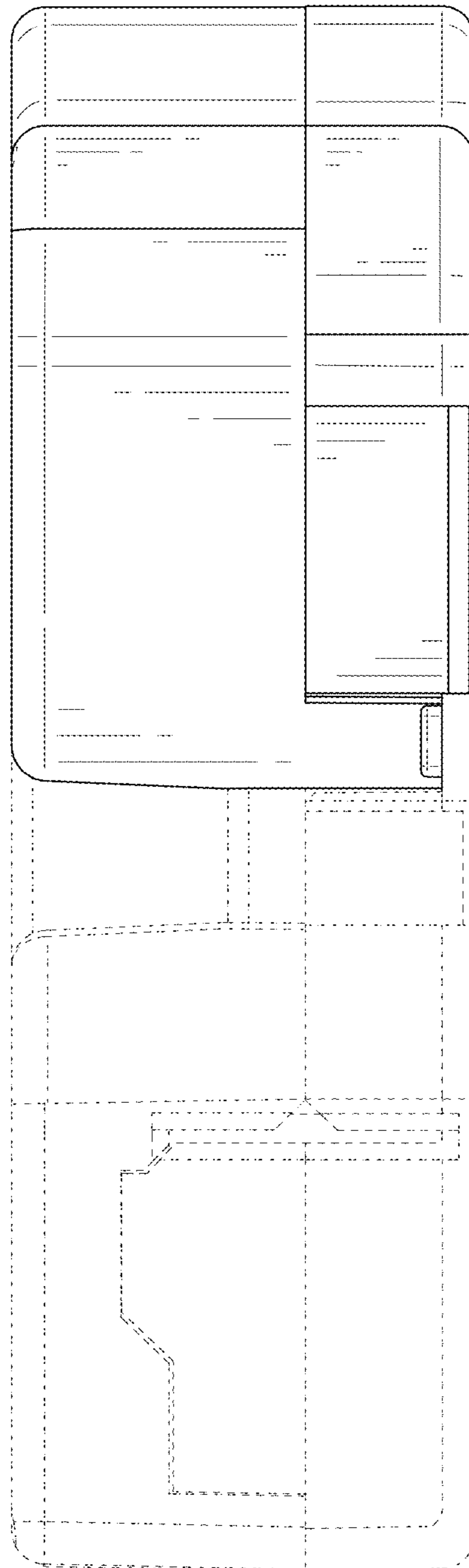


FIG. 5

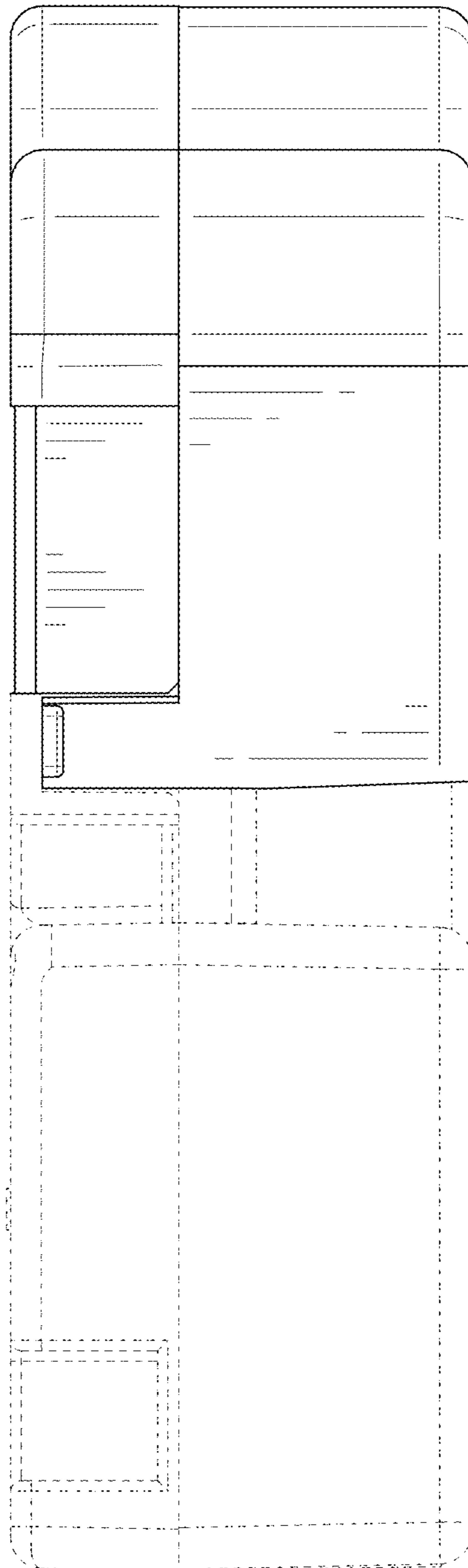


FIG. 6

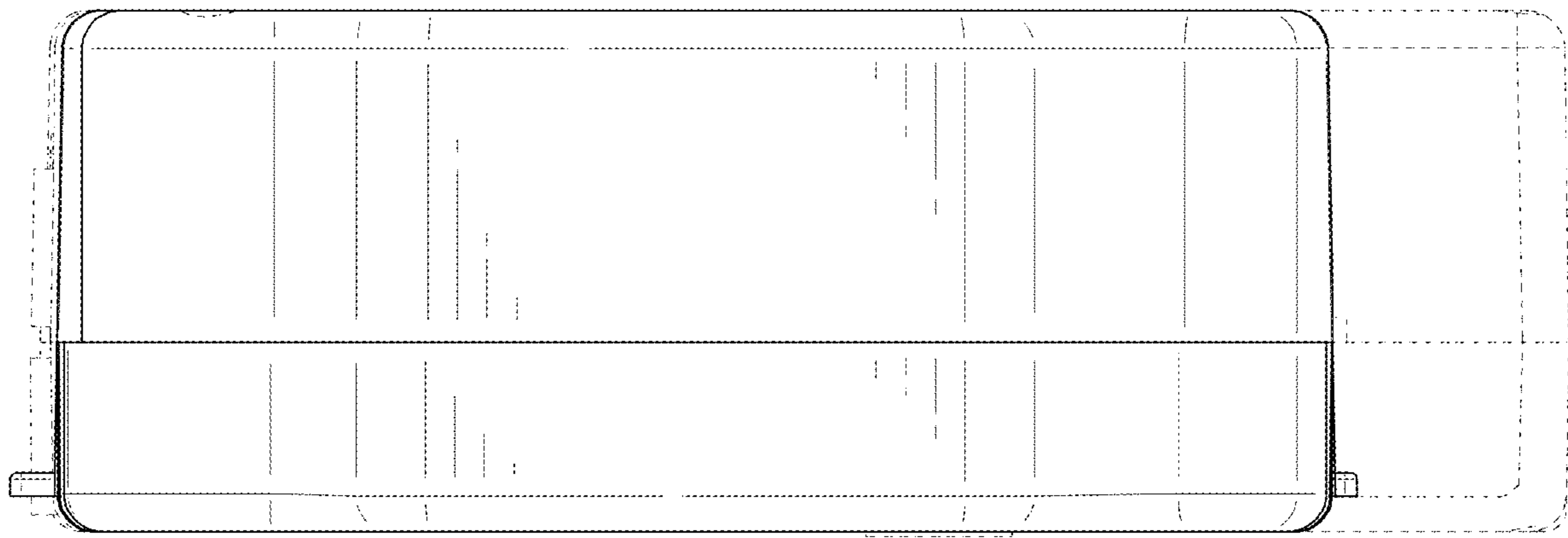


FIG. 7

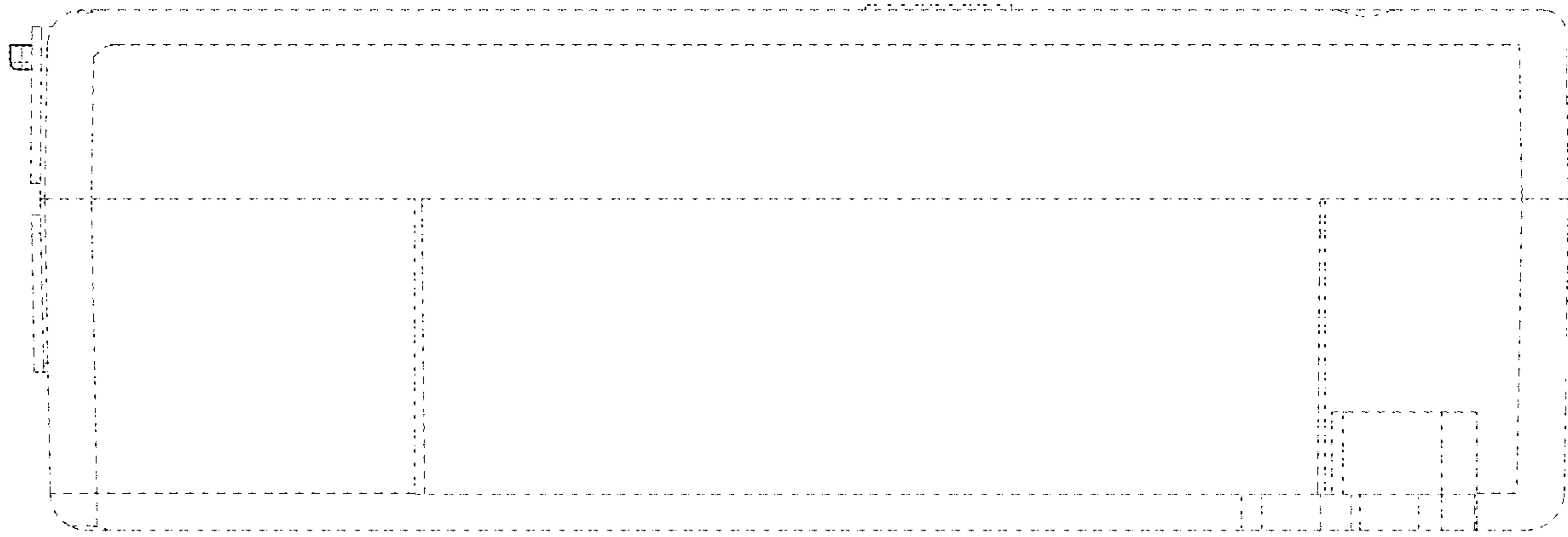


FIG. 8