



US00D909470S

(12) **United States Design Patent** (10) **Patent No.:** **US D909,470 S**  
**Ichikawa et al.** (45) **Date of Patent:** **\*\* Feb. 2, 2021**

(54) **FOIL UNIT FOR A FOIL TRANSFER APPARATUS**

(71) Applicant: **BROTHER INDUSTRIES, LTD.**, Nagoya (JP)

(72) Inventors: **Tomoya Ichikawa**, Nagoya (JP); **Hideshi Nishiyama**, Owariahi (JP); **Ryosuke Sakai**, Nagoya (JP)

(73) Assignee: **BROTHER INDUSTRIES, LTD.**, Nagoya (JP)

(\*\*) Term: **15 Years**

(21) Appl. No.: **29/693,475**

(22) Filed: **Jun. 3, 2019**

(30) **Foreign Application Priority Data**

Dec. 3, 2018 (JP) ..... 2018-026299

(51) **LOC (13) Cl.** ..... **16-03**

(52) **U.S. Cl.**  
USPC ..... **D18/43**

(58) **Field of Classification Search**  
USPC ..... D18/12, 34, 36, 39, 40, 49, 46, 47, 50  
CPC ..... G03G 15/0832; G03G 15/0837; G03G 15/50; G03G 15/5016; B41J 29/393  
See application file for complete search history.

(56) **References Cited**

**U.S. PATENT DOCUMENTS**

D447,511 S *	9/2001	Kimura	.....	D18/40
D471,228 S *	3/2003	Okabe	.....	D18/43
D471,583 S *	3/2003	Okabe	.....	D18/40
D509,239 S *	9/2005	Ishii	.....	D18/40
D523,894 S *	6/2006	Ishii	.....	D18/40
D528,148 S *	9/2006	Ishii	.....	D18/43
D533,215 S *	12/2006	Ishii	.....	D18/43

D545,883 S *	7/2007	Yamamoto	.....	D18/12
D551,285 S *	9/2007	Ishikawa	.....	D18/43
D595,343 S *	6/2009	Ishikawa	.....	D18/43
D595,344 S *	6/2009	Ishikawa	.....	D18/43
D637,225 S *	5/2011	Kishi	.....	D18/43
D637,226 S *	5/2011	Sakuma	.....	D18/43
D638,053 S *	5/2011	Sato	.....	D18/43
D638,054 S *	5/2011	Sato	.....	D18/43
D694,815 S *	12/2013	Fukamachi	.....	D18/43
D694,816 S *	12/2013	Fukamachi	.....	D18/43
D718,378 S *	11/2014	Itabashi	.....	D18/43
D718,379 S *	11/2014	Sakuma	.....	D18/43
D724,139 S *	3/2015	Shimizu	.....	D18/43
D783,087 S *	4/2017	Fukamachi	.....	D18/36
D795,340 S *	8/2017	Taguchi	.....	D18/43
D843,443 S *	3/2019	Kawai	.....	D18/43
D845,384 S *	4/2019	Oguma	.....	D18/43

\* cited by examiner

*Primary Examiner* — Michael C Stout

*Assistant Examiner* — Fritzgerald L Butac

(74) *Attorney, Agent, or Firm* — Oliff PLC

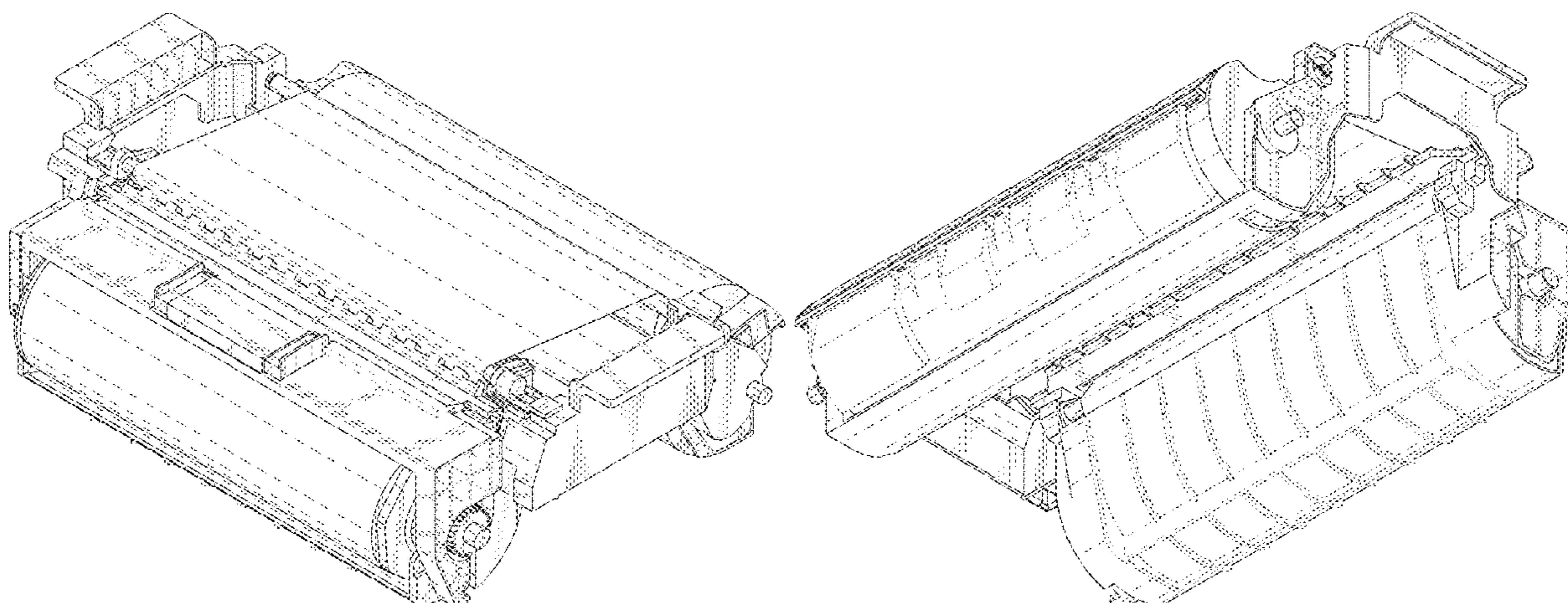
(57) **CLAIM**

The ornamental design for a foil unit for a foil transfer apparatus, as shown and described.

**DESCRIPTION**

FIG. 1 is a front, right, top perspective view of the foil unit for a foil transfer apparatus;  
FIG. 2 is a front elevational view thereof;  
FIG. 3 is a top plan view thereof;  
FIG. 4 is a left-side elevational view thereof;  
FIG. 5 is a right-side elevational view thereof;  
FIG. 6 is a rear elevational view thereof;  
FIG. 7 is a bottom plan view thereof; and,  
FIG. 8 is a rear, left, bottom perspective view thereof.  
The evenly spaced broken lines depict unclaimed parts of the foil unit for a foil transfer apparatus and form no part of the claimed design.

**1 Claim, 8 Drawing Sheets**



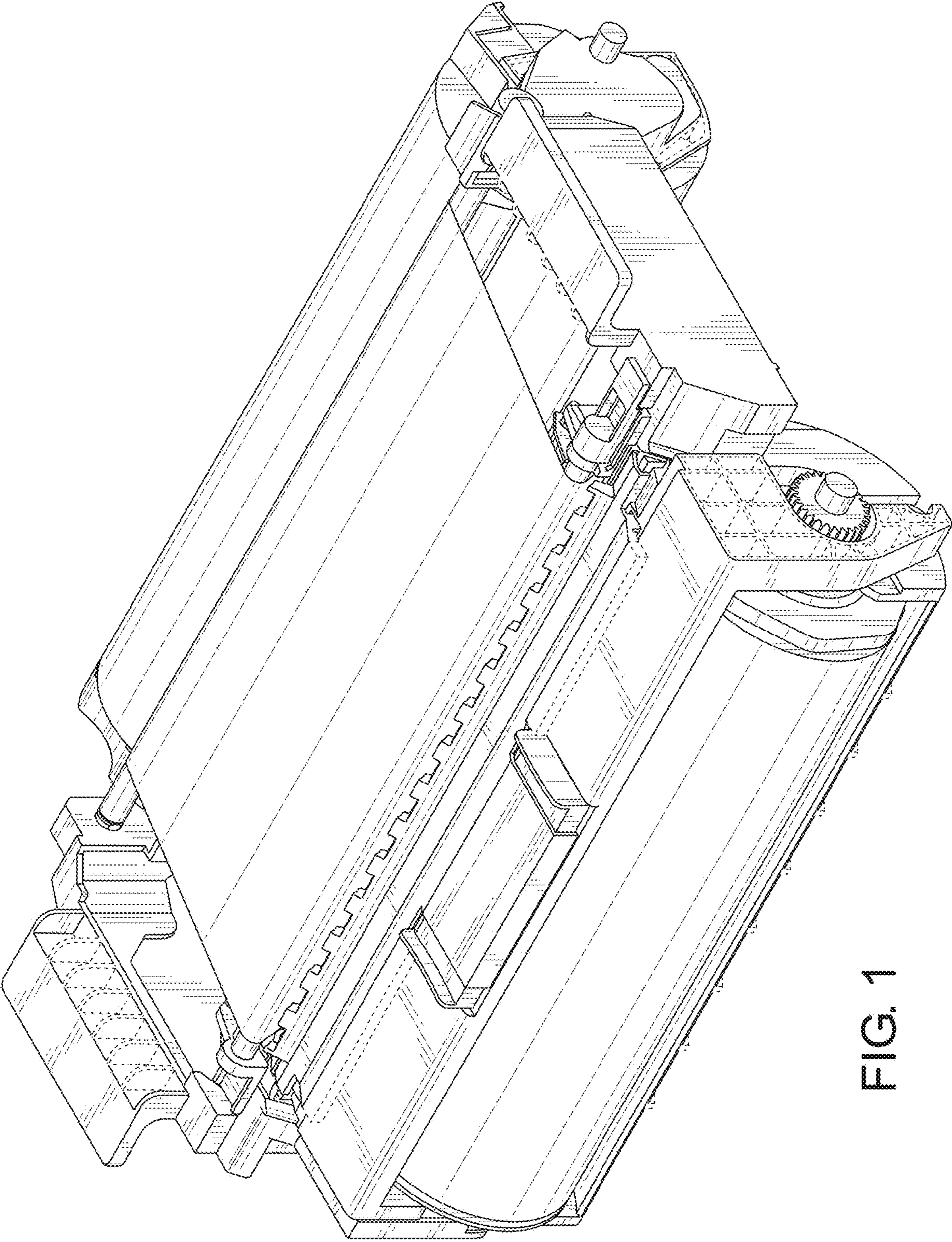


FIG. 1

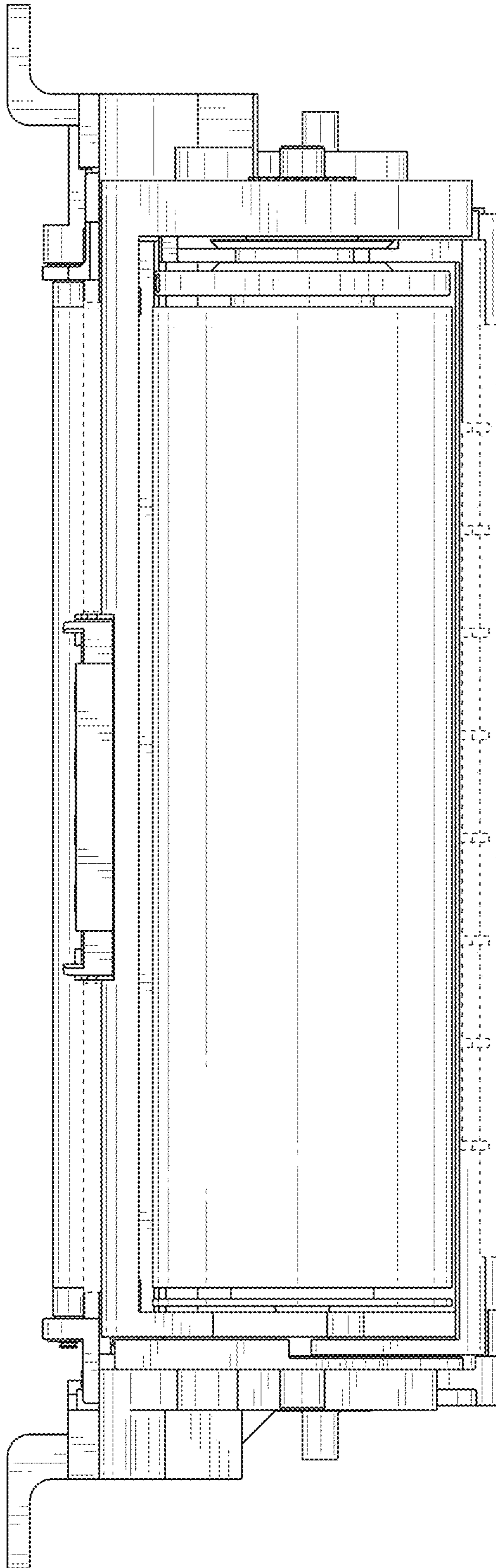


FIG. 2

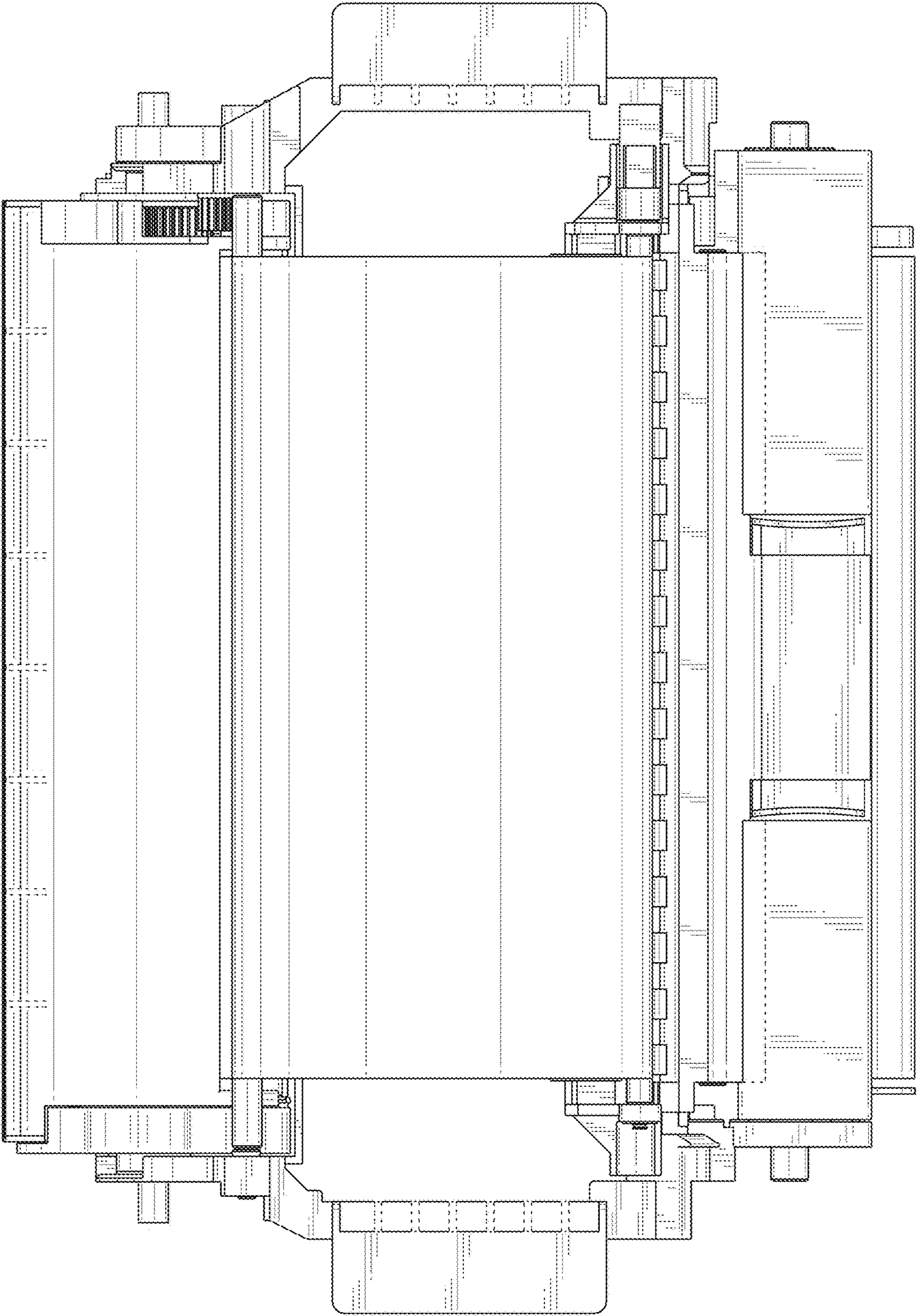


FIG. 3

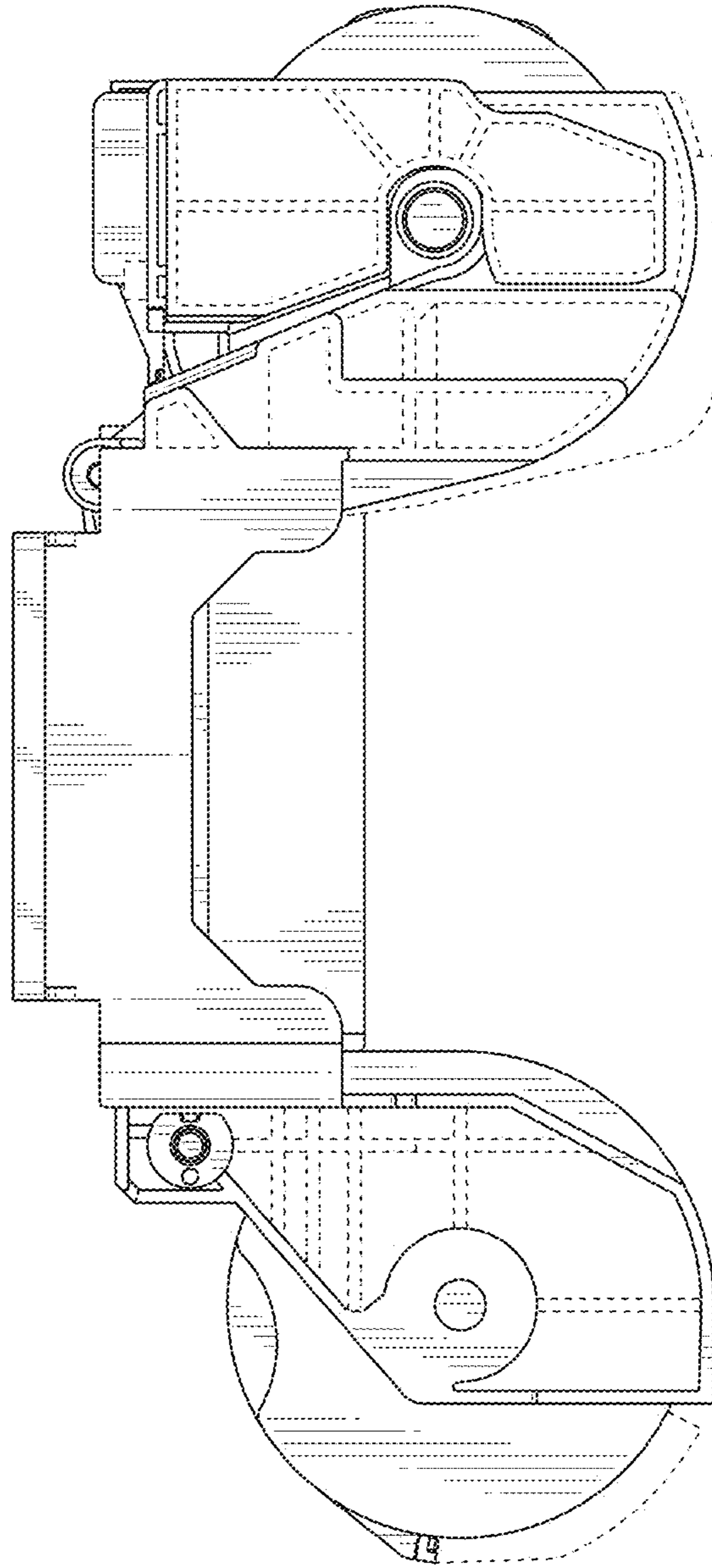


FIG. 4

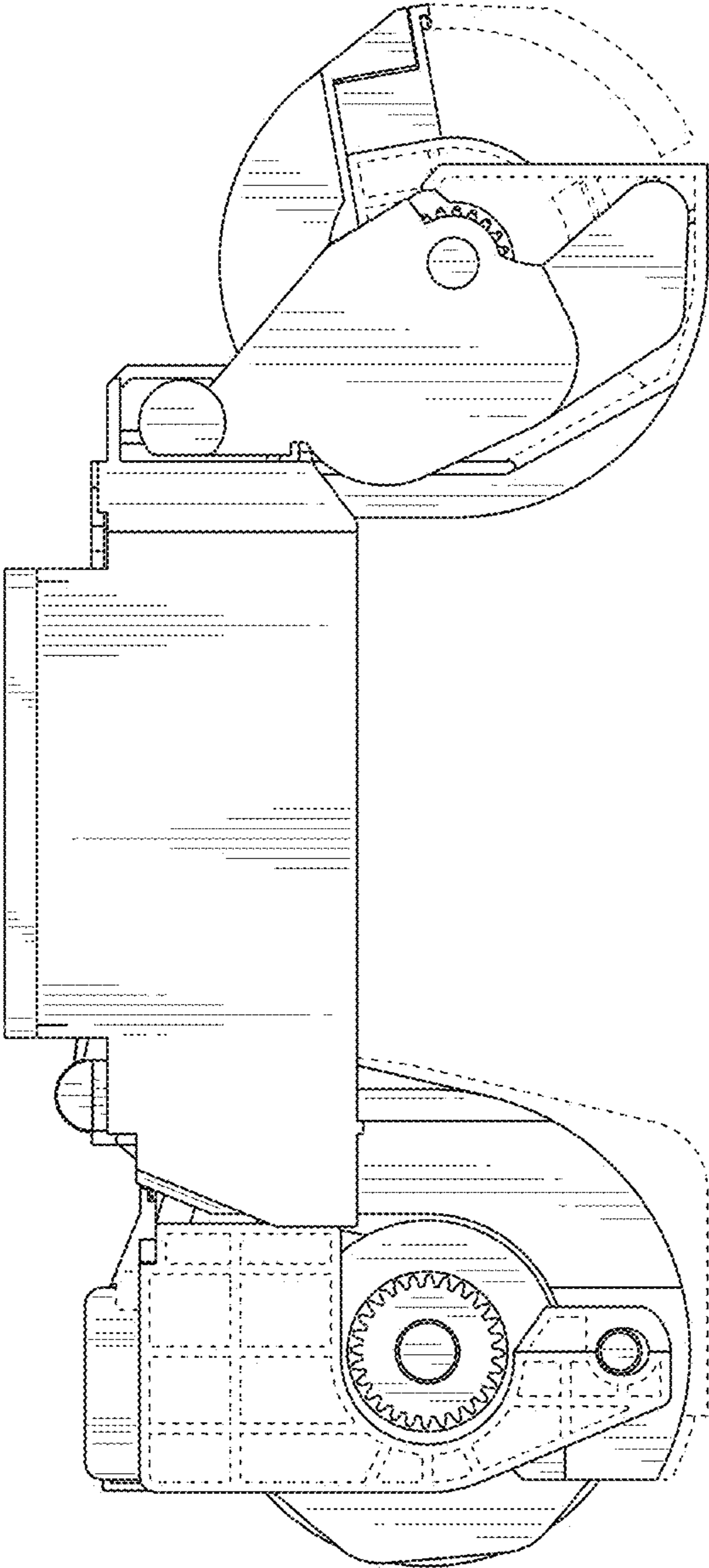


FIG. 5

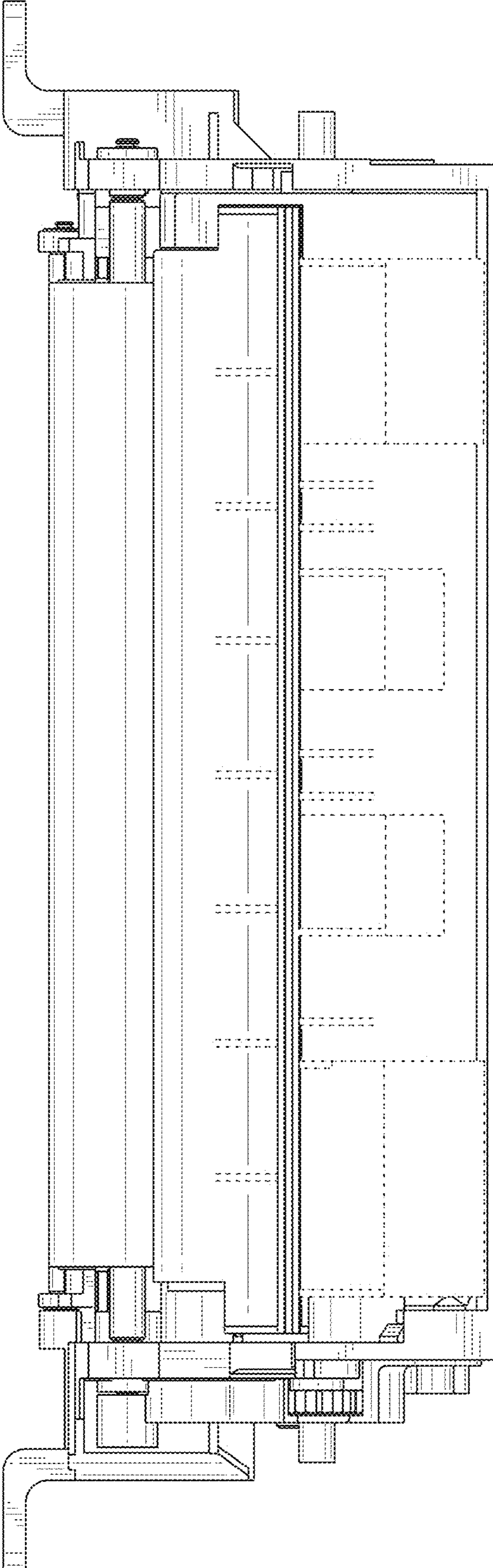


FIG. 6

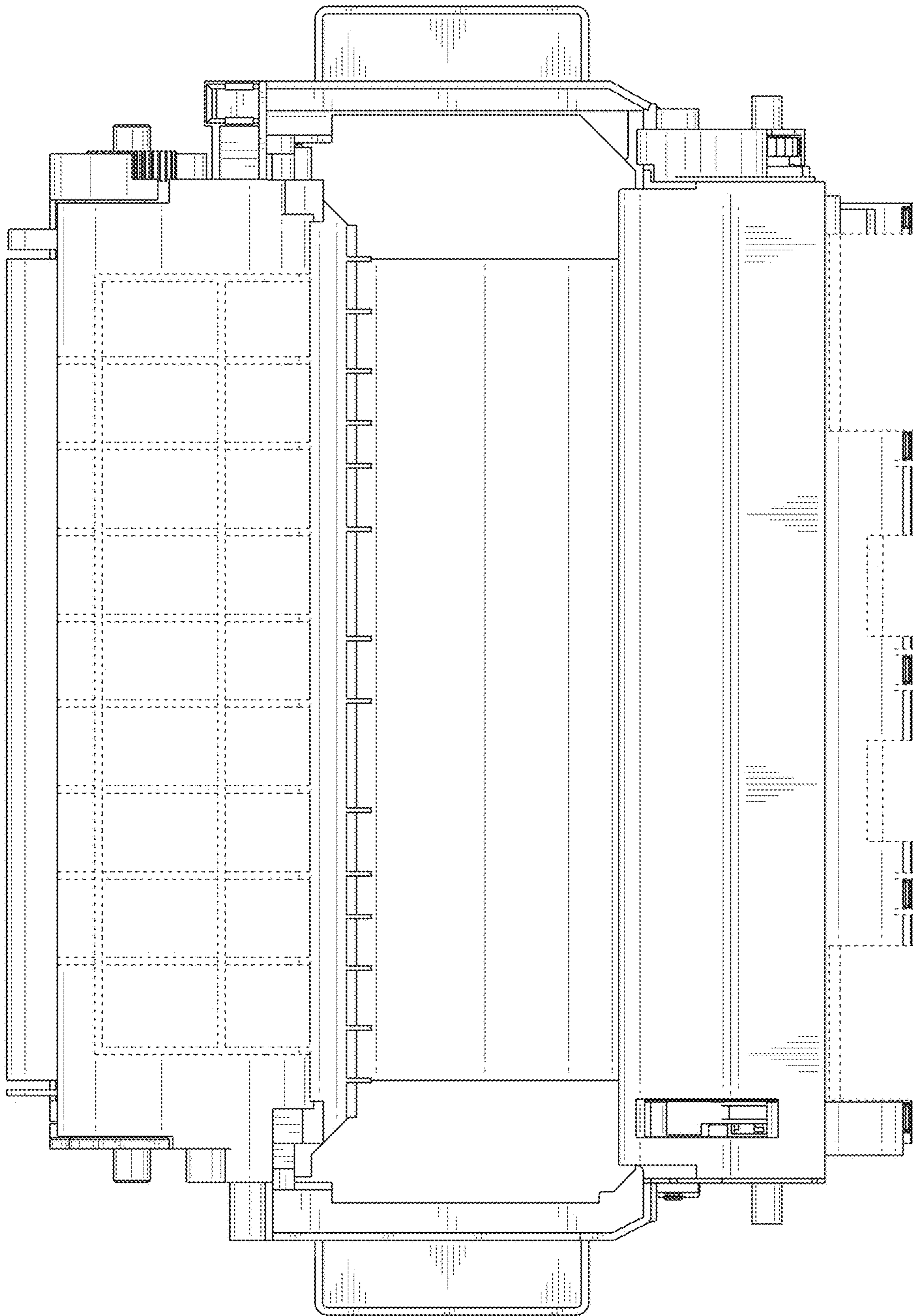


FIG. 7



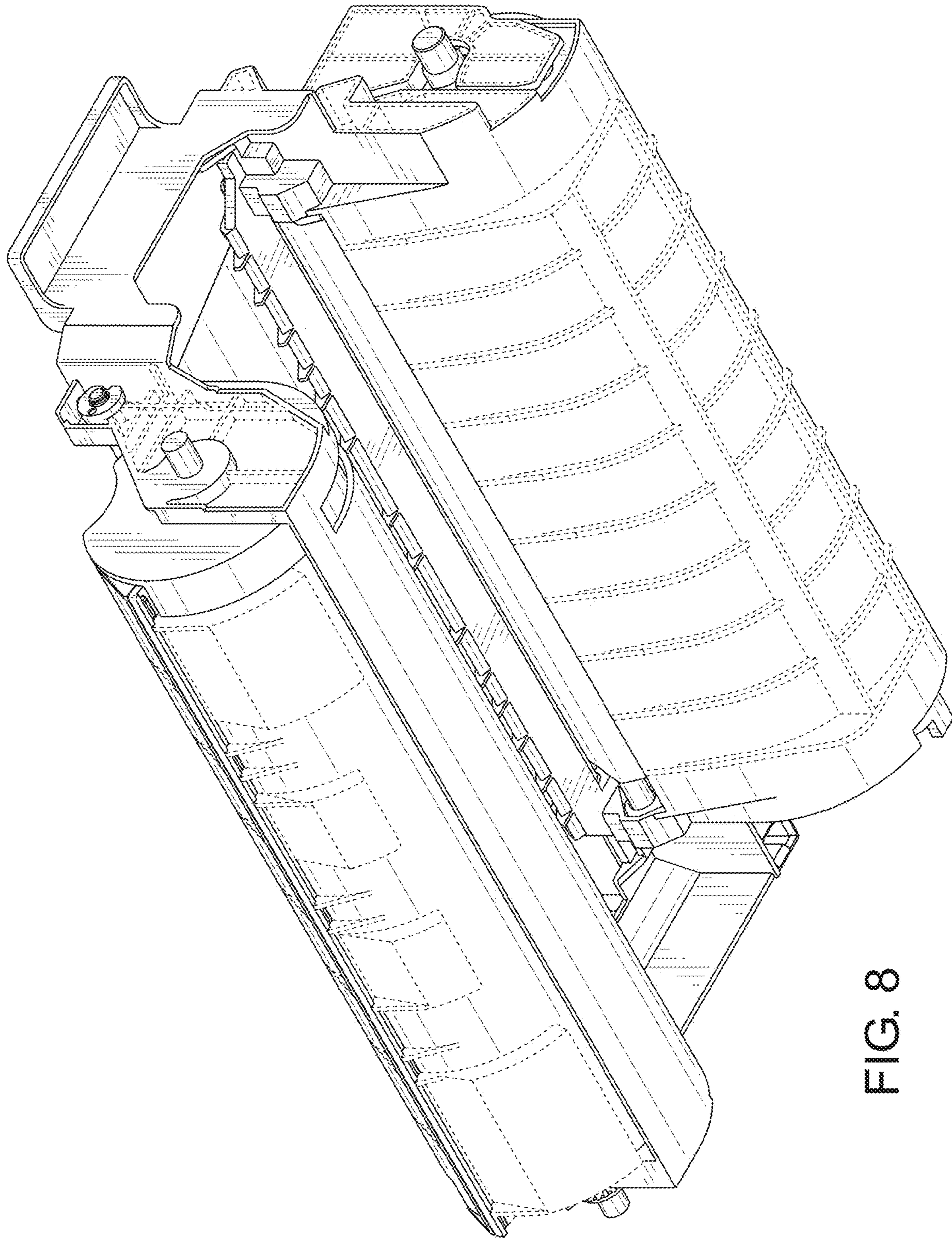


FIG. 8

UNITED STATES PATENT AND TRADEMARK OFFICE  
**CERTIFICATE OF CORRECTION**

PATENT NO. : D909,470 S  
APPLICATION NO. : 29/693475  
DATED : February 2, 2021  
INVENTOR(S) : Tomoya Ichikawa et al.

Page 1 of 1

It is certified that error appears in the above-identified patent and that said Letters Patent is hereby corrected as shown below:

On the Title Page

Item (72) Change "Hideshi Nishiyama, Owariahi (JP)" to -- Hideshi Nishiyama, Owariasahi (JP) --

Signed and Sealed this  
Thirtieth Day of July, 2024  
*Katherine Kelly Vidal*

Katherine Kelly Vidal  
*Director of the United States Patent and Trademark Office*