



US00D909469S

(12) **United States Design Patent**  
**Watanabe et al.**

(10) **Patent No.:** **US D909,469 S**

(45) **Date of Patent:** **\*\* Feb. 2, 2021**

(54) **PAYMENT TERMINAL**

(71) Applicant: **Panasonic Intellectual Property Management Co., Ltd., Osaka (JP)**

(72) Inventors: **Seiichi Watanabe, Tokyo (JP); Ryota Minami, Kanagawa (JP)**

(73) Assignee: **Panasonic Intellectual Property Management Co., Ltd., Osaka (JP)**

(\*\*) Term: **15 Years**

(21) Appl. No.: **29/709,823**

(22) Filed: **Oct. 17, 2019**

(30) **Foreign Application Priority Data**

Apr. 23, 2019 (JP) ..... 2019-008997

(51) **LOC (13) Cl.** ..... **18-01**

(52) **U.S. Cl.**  
USPC ..... **D18/4.6; D14/385**

(58) **Field of Classification Search**  
USPC ..... D18/4.4, 4.5, 4.6, 2, 11, 50, 14, 19–21,  
D18/54, 54.1, 99; D10/46, 61, 62, 70,  
D10/104.1, 104.2, 106.2, 106.6, 65, 66;  
D20/1, 8, 9; D14/496, 299, 338, 339,  
D14/341, 346, 383, 385, 386, 440, 507,  
D14/137, 138 R, 138 AA, 138 G;  
D99/28, 43  
CPC ..... H04W 8/22; H04W 52/0225; H04W  
52/0254; G06Q 20/00; G06Q 20/08;  
G06Q 20/20; G06Q 20/204; G07F  
7/0873; G07F 7/088; G07F 7/0886; G07F  
7/0893; G07F 7/025

See application file for complete search history.

(56) **References Cited**

**U.S. PATENT DOCUMENTS**

D321,172 S \* 10/1991 Moore, IV ..... D14/389  
D338,452 S \* 8/1993 Allgeier ..... D14/374

D447,136 S \* 8/2001 Groves ..... D14/336  
D550,710 S \* 9/2007 Ichinose ..... D14/496  
D614,230 S \* 4/2010 Hidaka ..... D18/12  
D618,355 S \* 6/2010 Delaey ..... D24/185  
D626,550 S \* 11/2010 Julien ..... D14/341  
D705,346 S \* 5/2014 Blacken ..... D18/14  
D706,337 S \* 6/2014 Blacken ..... D18/14  
D762,766 S \* 8/2016 Bedier et al.  
D793,386 S \* 8/2017 Park ..... D14/341  
D798,378 S \* 9/2017 Kim ..... D18/4.6  
D814,559 S \* 4/2018 Oross ..... D14/385

(Continued)

**OTHER PUBLICATIONS**

Design of Token Inc Mobile Payment Terminal—OMUUS. (online)  
3 pgs. Copyright Jan. 7, 2019. [retrieved Dec. 3, 2020] [https://omuus.com/design-of-token-inc-mobile-payment-terminal.\\*](https://omuus.com/design-of-token-inc-mobile-payment-terminal.*)

(Continued)

*Primary Examiner* — Marie D. Fast Horse  
(74) *Attorney, Agent, or Firm* — Panasonic IP Management; Kerry S. Culpepper

(57) **CLAIM**

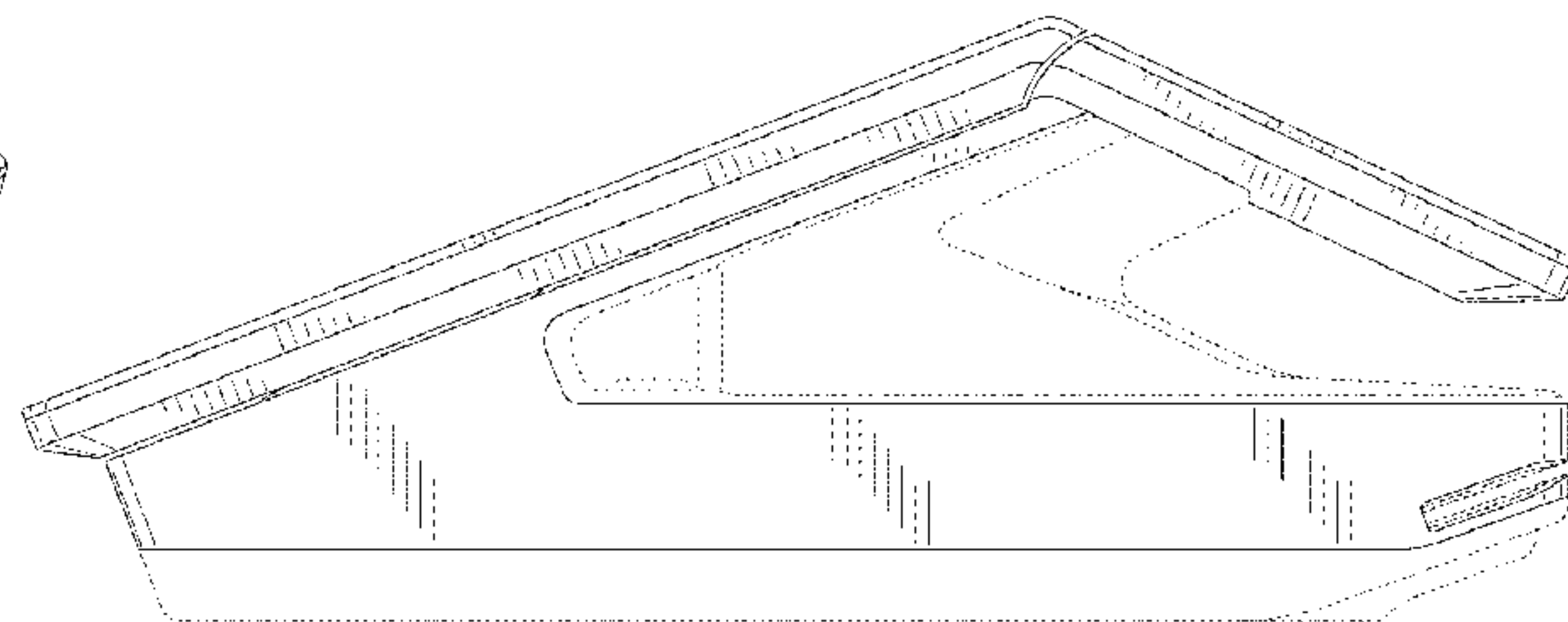
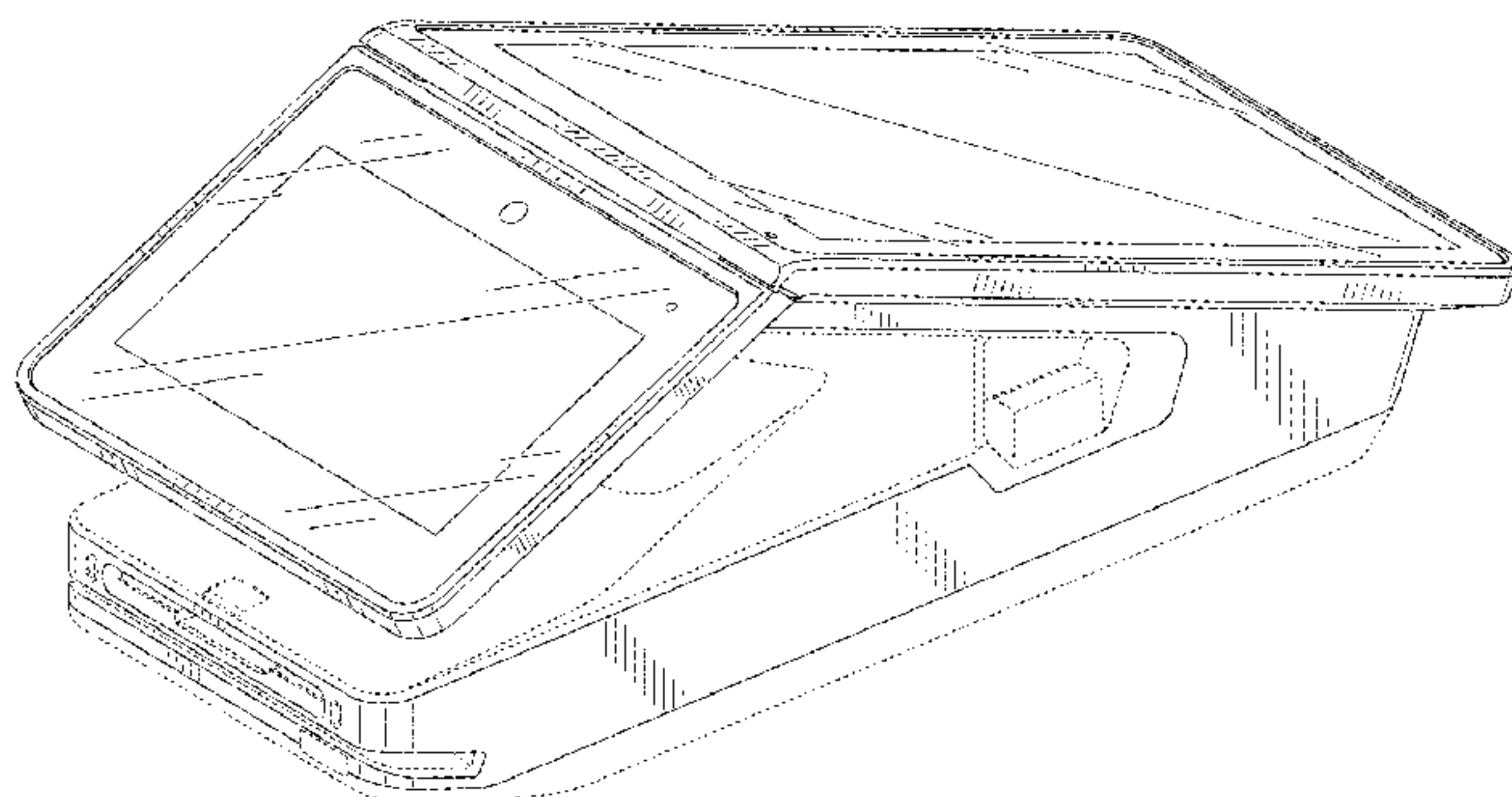
We claim the ornamental design for a payment terminal, as shown and described.

**DESCRIPTION**

FIG. 1 is a front perspective view of a payment terminal of the present invention;  
FIG. 2 is a rear perspective view thereof;  
FIG. 3 is a front view thereof;  
FIG. 4 is a rear view thereof;  
FIG. 5 is a first side view thereof;  
FIG. 6 is a second side view thereof;  
FIG. 7 is a top view thereof; and,  
FIG. 8 is a bottom view thereof.

The broken lines in the drawings depict portions of the payment terminal that form no part of the claimed design.

**1 Claim, 8 Drawing Sheets**



(56)

**References Cited**

U.S. PATENT DOCUMENTS

D818,524 S 5/2018 Dong et al.  
D838,770 S \* 1/2019 Sato ..... D18/19  
D851,169 S 6/2019 Yaginuma  
D859,516 S \* 9/2019 Wang ..... D18/4.6  
D880,580 S \* 4/2020 Wang ..... D18/4.6  
D881,269 S \* 4/2020 Blanc ..... D18/4.6  
2016/0335037 A1 \* 11/2016 Baranowski ..... G07G 1/0018  
2018/0374070 A1 \* 12/2018 Bedier ..... G06Q 20/204  
2019/0012491 A1 \* 1/2019 Su ..... G07F 7/088  
2020/0342433 A1 \* 10/2020 Yasutomi ..... G06Q 20/352

OTHER PUBLICATIONS

POS machines—Payment Termianals. (Design -© Questel) orbit.com. [online PDF] 27 pgs. Print Dates Range Jun. 25, 2018-Feb. 10, 2020 [Retrieved Dec. 3, 2020] <https://www.orbit.com/export/QPTUJ214/pdf2/78b4ab19-998c-4182-b934-9856e442f5b6-175759.pdf>.\*

\* cited by examiner

FIG. 1

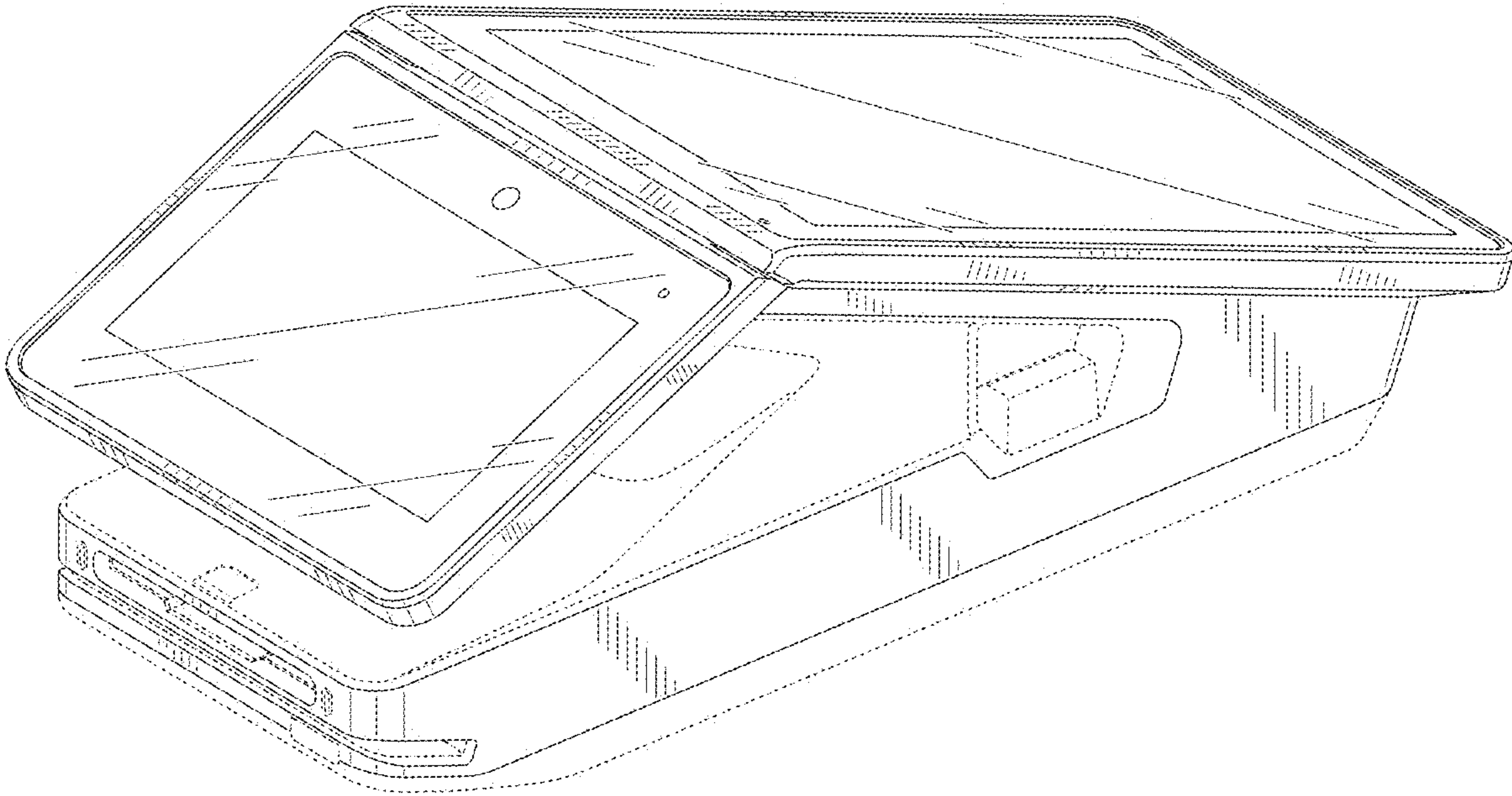


FIG. 2

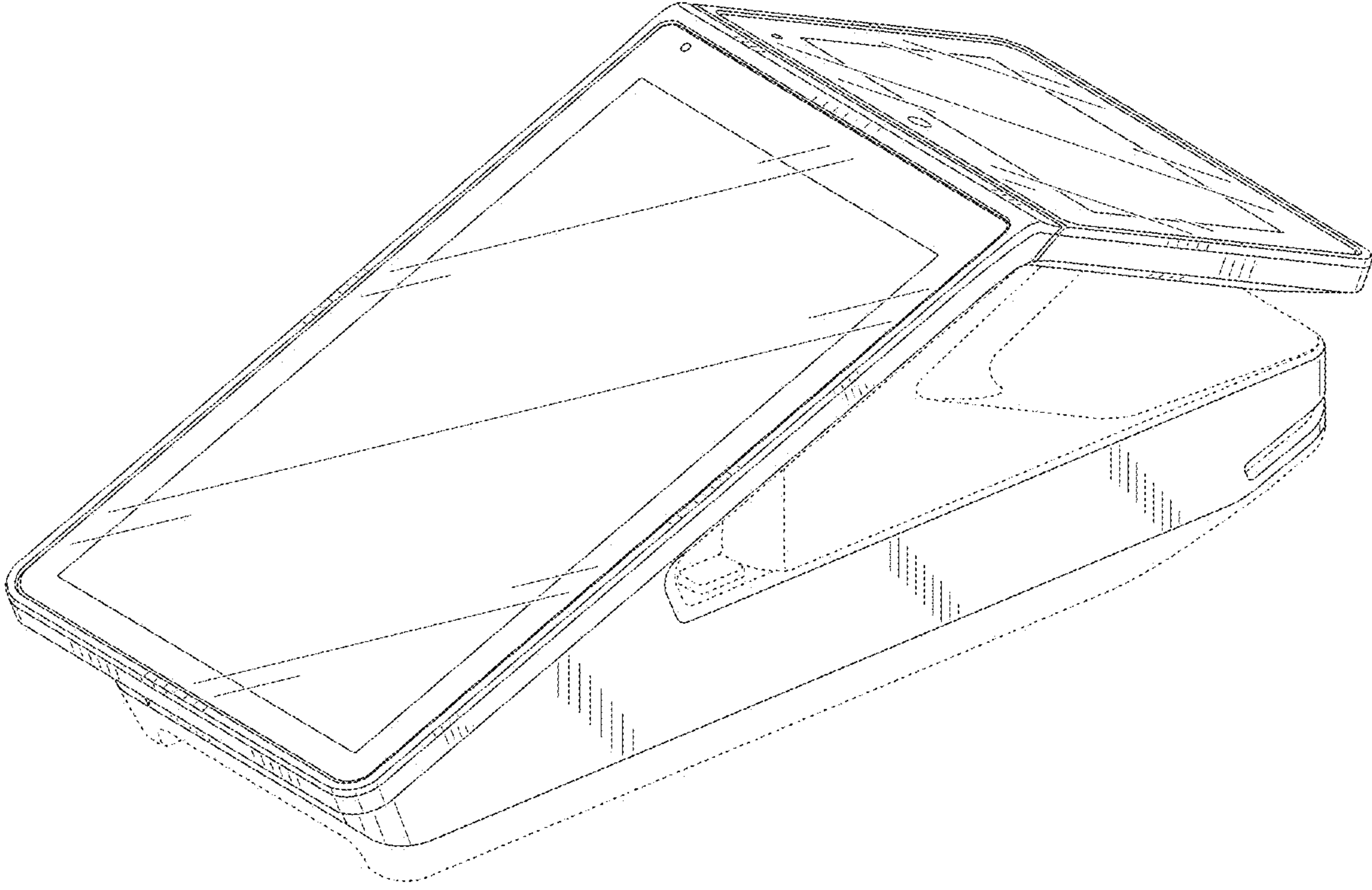




FIG. 3

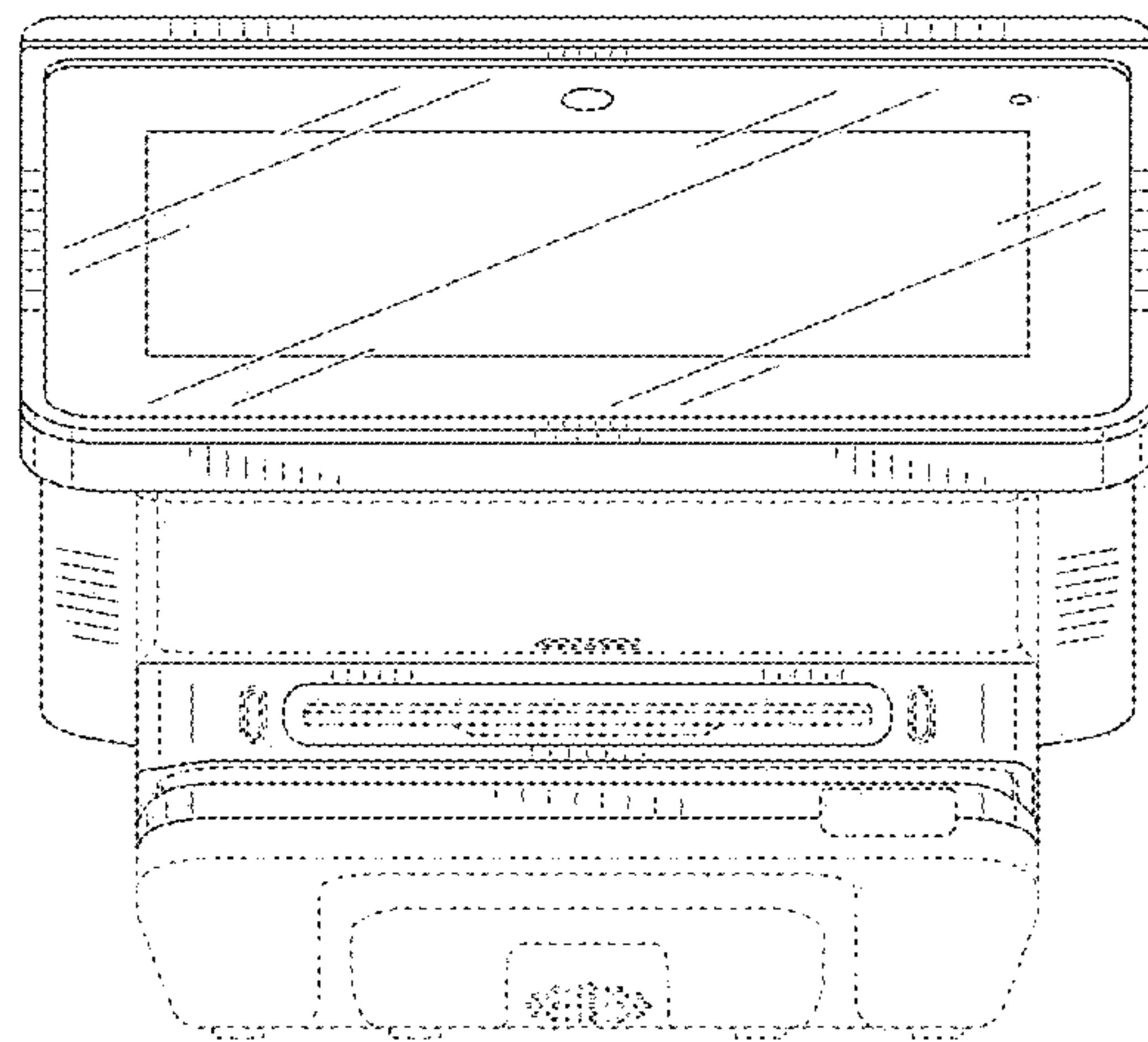


FIG. 4

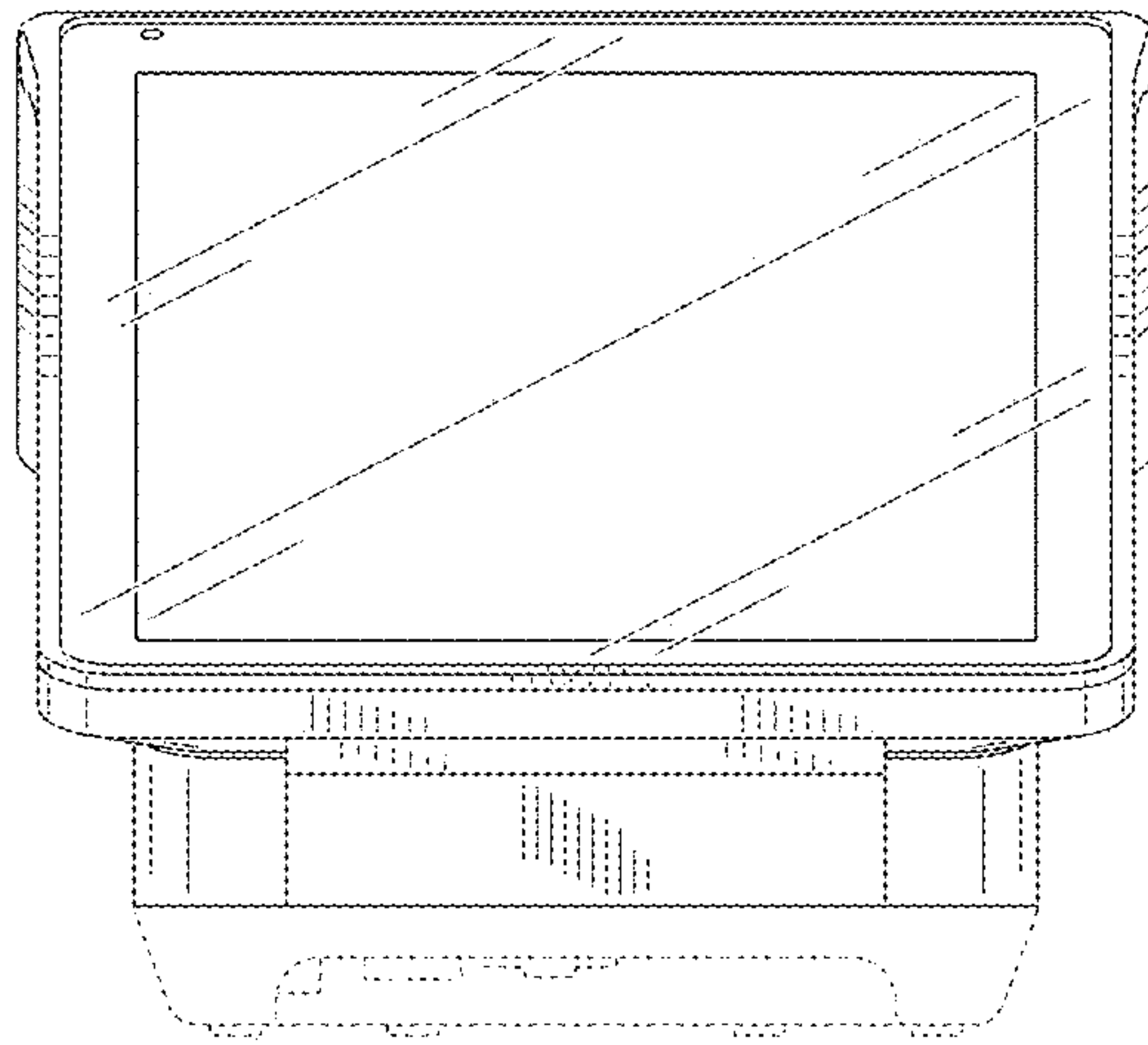


FIG. 5

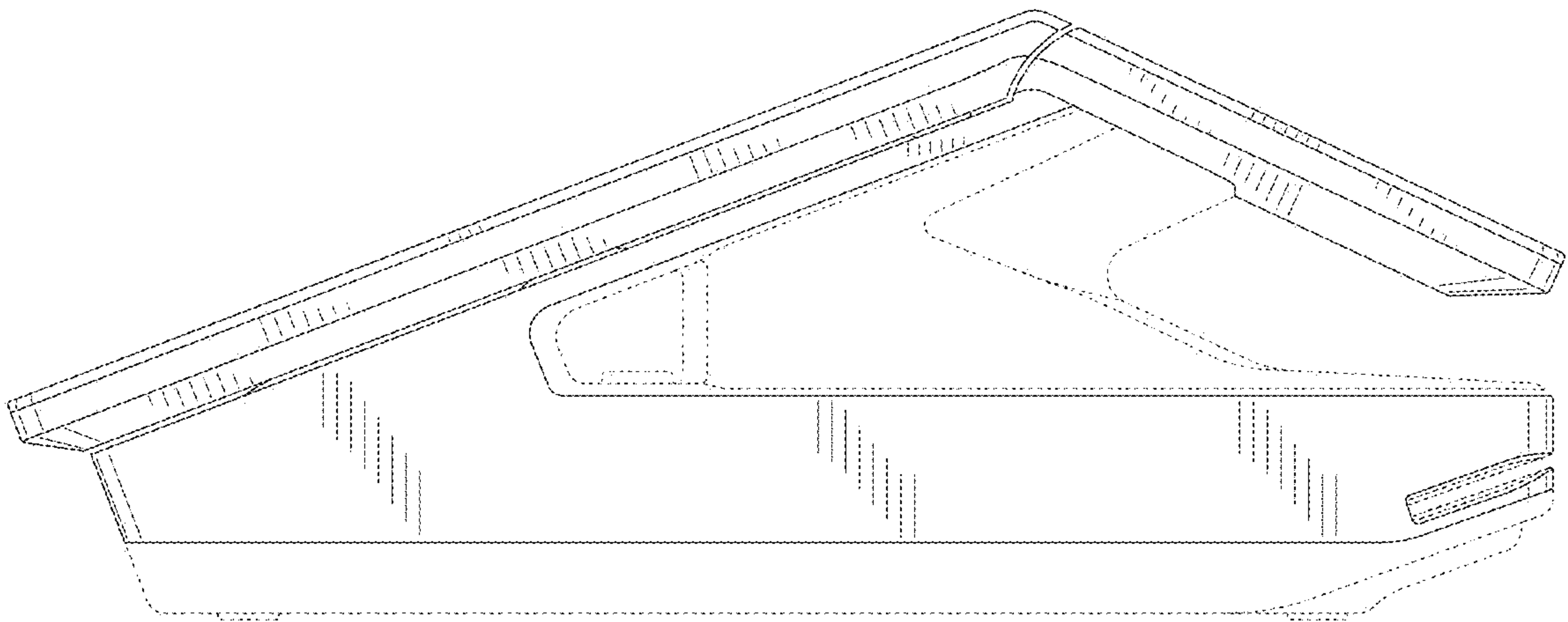


FIG. 6

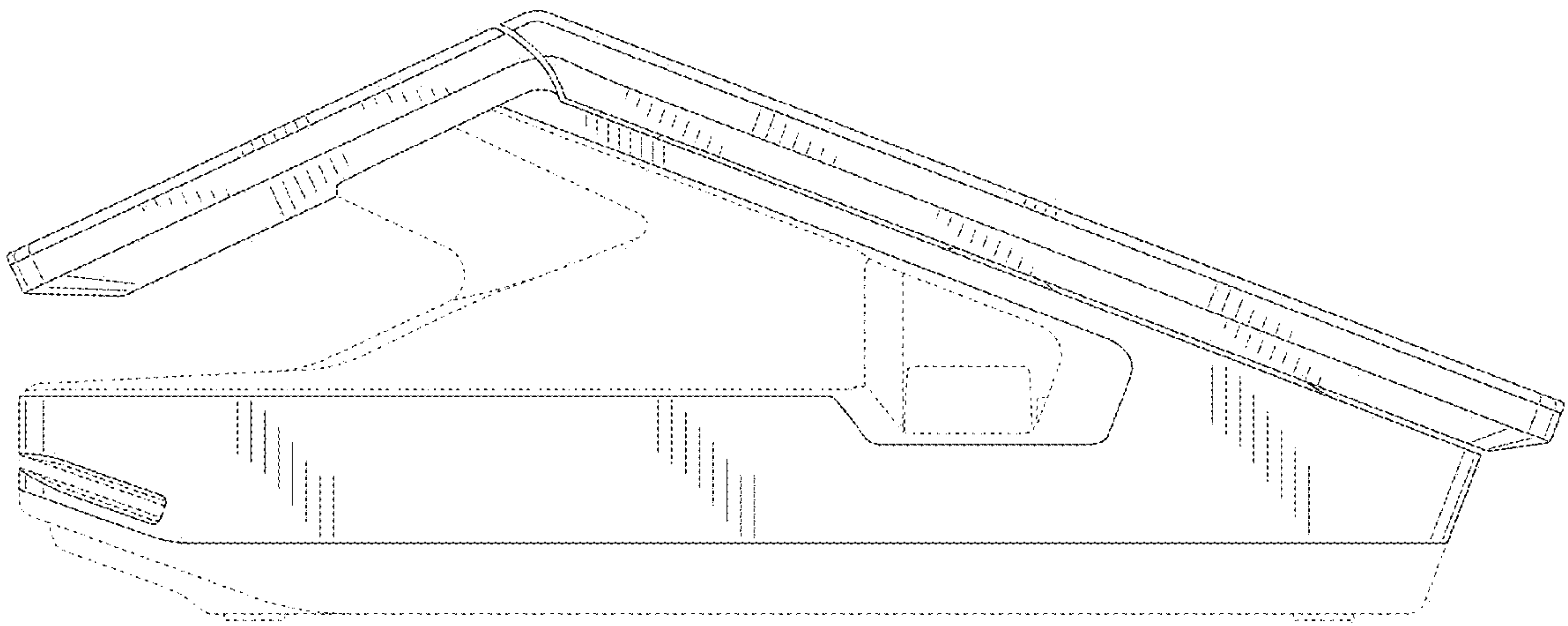




FIG. 7

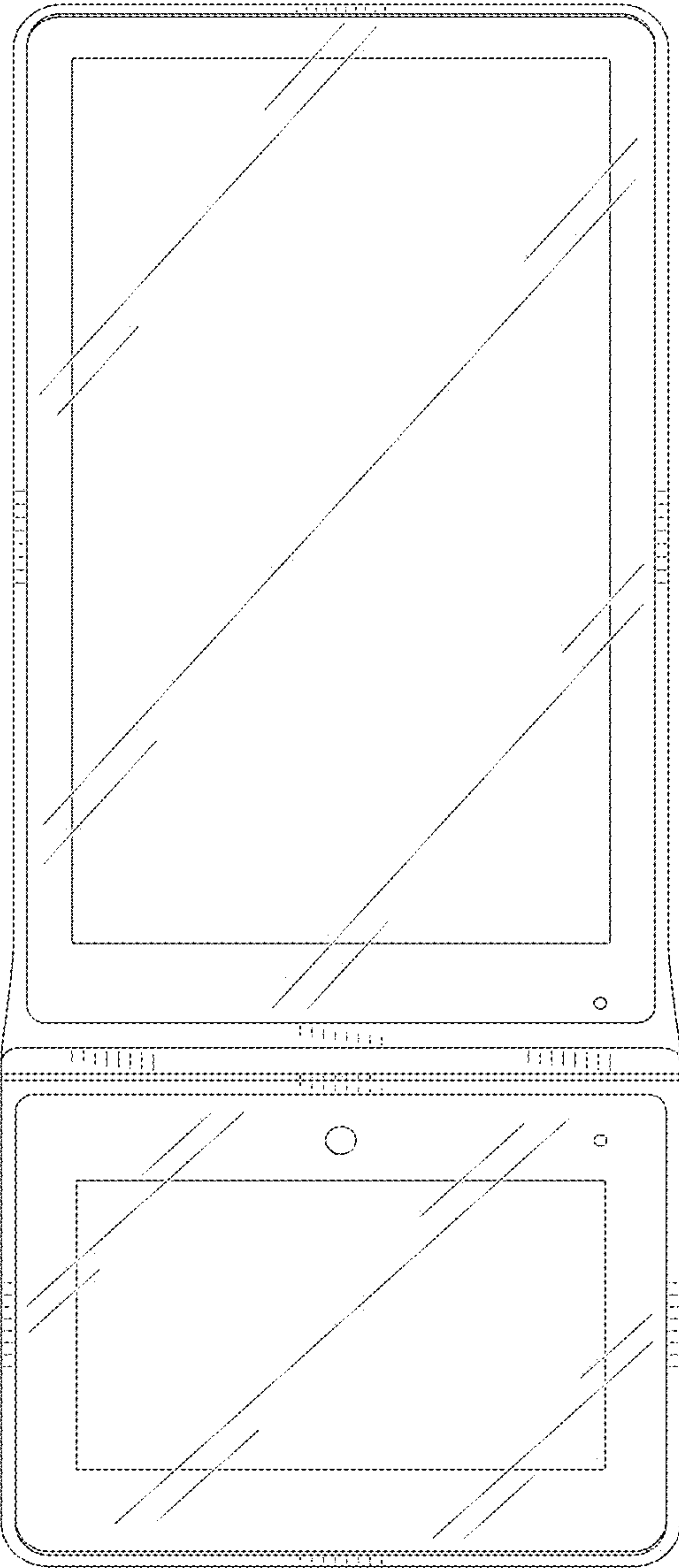


FIG. 8

