



US00D909467S

(12) **United States Design Patent**
McElhenny

(10) **Patent No.:** **US D909,467 S**

(45) **Date of Patent:** **** Feb. 2, 2021**

(54) **KNOB FOR A MUSICAL INSTRUMENT**

(71) Applicant: **Maximum Guitar Works Ltd**, Golden, CO (US)

(72) Inventor: **Stephen Marc McElhenny**, Golden, CO (US)

(73) Assignee: **Maximum Guitar Works Ltd.**, Golden, CO (US)

(**) Term: **15 Years**

(21) Appl. No.: **29/705,411**

(22) Filed: **Sep. 11, 2019**

(51) **LOC (13) Cl.** **17-99**

(52) **U.S. Cl.**
USPC **D17/99**

(58) **Field of Classification Search**
USPC D8/300, 310; D17/99
CPC . Y10T 70/8378; Y10T 292/57; Y10T 292/82;
Y10T 292/5788; Y10T 292/91; Y10T
16/487

See application file for complete search history.

(56) **References Cited**

U.S. PATENT DOCUMENTS

- D155,349 S * 9/1949 Lear D8/310
- 3,082,028 A * 3/1963 Werle E05B 13/001
292/1
- D524,097 S * 7/2006 Magnouloux D7/393
- D525,517 S * 7/2006 Baldwin D8/310
- D579,307 S * 10/2008 Himmelburger D8/312
- D589,654 S * 3/2009 Juhlin D29/122
- D691,455 S * 10/2013 Weathersby D8/310
- D722,259 S * 2/2015 Conner D8/300
- D766,696 S * 9/2016 Kemker D8/310
- D772,037 S * 11/2016 Zimmer D8/310

- D824,237 S * 7/2018 Gregory D8/311
- D834,394 S * 11/2018 Kang D8/311
- D892,750 S * 8/2020 Dimberg D13/171

FOREIGN PATENT DOCUMENTS

JP 2006011344 A * 1/2006

OTHER PUBLICATIONS

Knobs for Musical Instruments. Allparts Music. Publication date unknown. [retrieved on Jan. 15, 2020]. Retrieved from the Internet: <URL: <https://www.allparts.com/collections/knobs>>.
Knobs for Musical Instruments. Guitarfetish. Publication date unknown. [retrieved on Jan. 15, 2020]. Retrieved from the Internet: <URL: https://www.guitarfetish.com/Guitar-Knobs_c_23.html>.

(Continued)

Primary Examiner — R. Johnson

(74) *Attorney, Agent, or Firm* — Schneider IP Law LLC; Laura A. Schneider

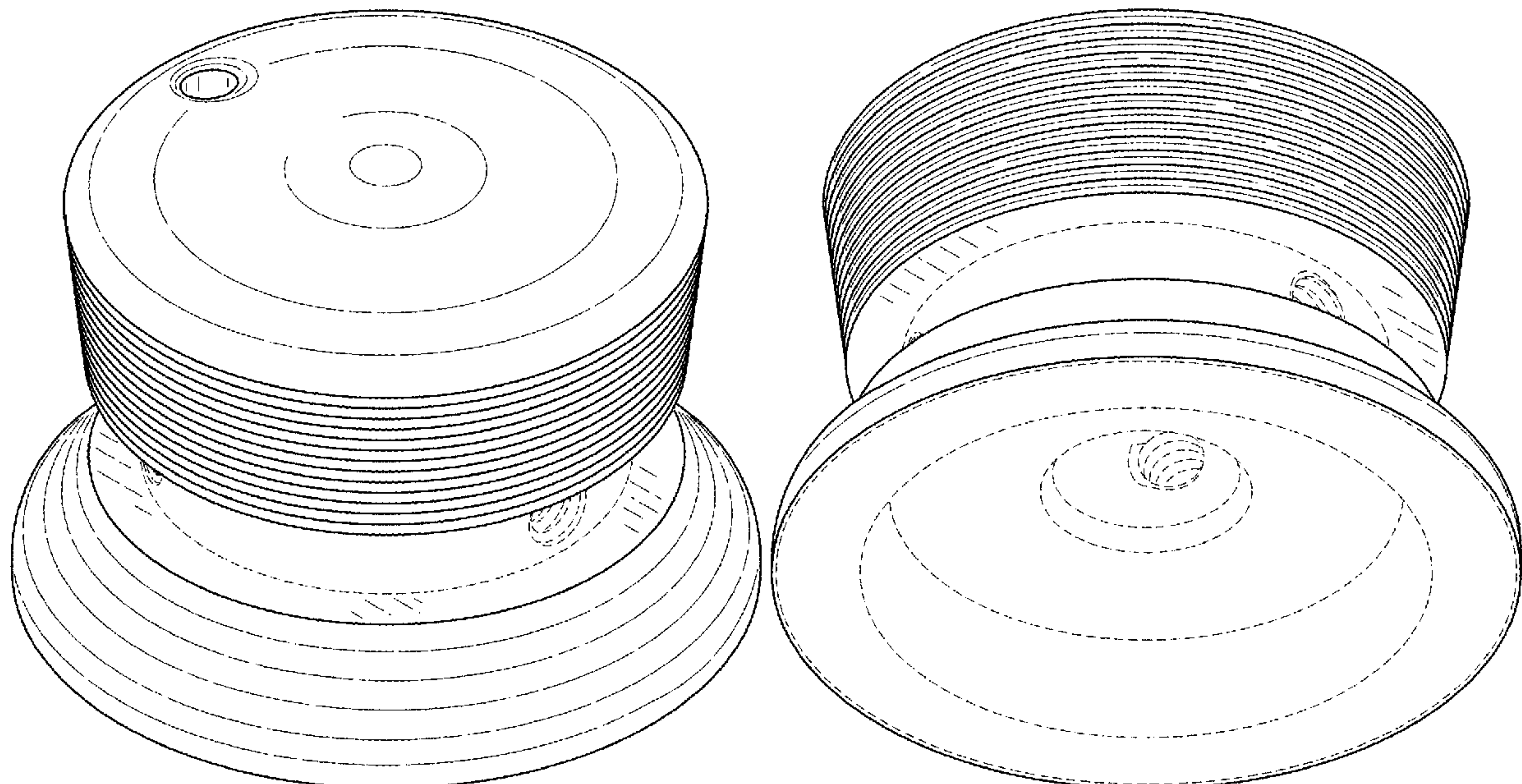
(57) **CLAIM**

The ornamental design for a knob for a musical instrument, as shown and described.

DESCRIPTION

FIG. 1 is a top perspective view of a knob for a musical instrument showing my new claimed design; FIG. 2 is a bottom perspective view thereof; FIG. 3 is a front view thereof; FIG. 4 is a back view thereof; FIG. 5 is a right side view thereof; FIG. 6 is a left side view thereof; FIG. 7 is a top view thereof; and, FIG. 8 is a bottom view thereof. The features shown in broken lines represent the portions of the knob for a musical instrument that form no part of the claimed design.

1 Claim, 8 Drawing Sheets



(56)

References Cited

OTHER PUBLICATIONS

Knobs and Tricks. WD Music Products Inc. Publication date unknown. [retrieved on Jan. 15, 2020]. Retrieved from the Internet: <URL: <https://www.wdmusic.com/knobs-and-tips-knobs.html>>.

Hardware and Parts for Musical Instruments. Stewart-MacDonald. Publication date unknown. [retrieved on Jan. 15, 2020]. Retrieved from the Internet: <URL: https://www.stewmac.com/Hardware_and_Parts/Knobs/Flat-top_Knob.html?utm_source=google&utm_medium=shopping&utm_campaign=2020-01-gp&gclid=Cj0KCQiAjfvwBRckARIsAIqSWNzujFt0I4dSVaPsUHTnMeSNMzOixCuzFBoPtU6rzEmUZibWbARj0aAmrPEALw_wcB>.

Knobs for Musical Instruments. Hipshot Products. Publication date unknown. [retrieved on Jan. 15, 2020]. Retrieved from the Internet: <URL: <https://hipshotproducts.com/collections/guitar-accessories>>.

Parts for Instruments. Warwick GmbH & Co Music Equipment KG. Publication date unknown. [retrieved on Jan. 15, 2020]. Retrieved from the Internet: <URL: <https://shop.warwick.de/en/parts-for-instruments/ramus-spare-parts/ramus-vintage-parts/17905/ramus-vintage-chrome-potentiometer-knob-set-with-position-mark-2-pcs.>>.

* cited by examiner

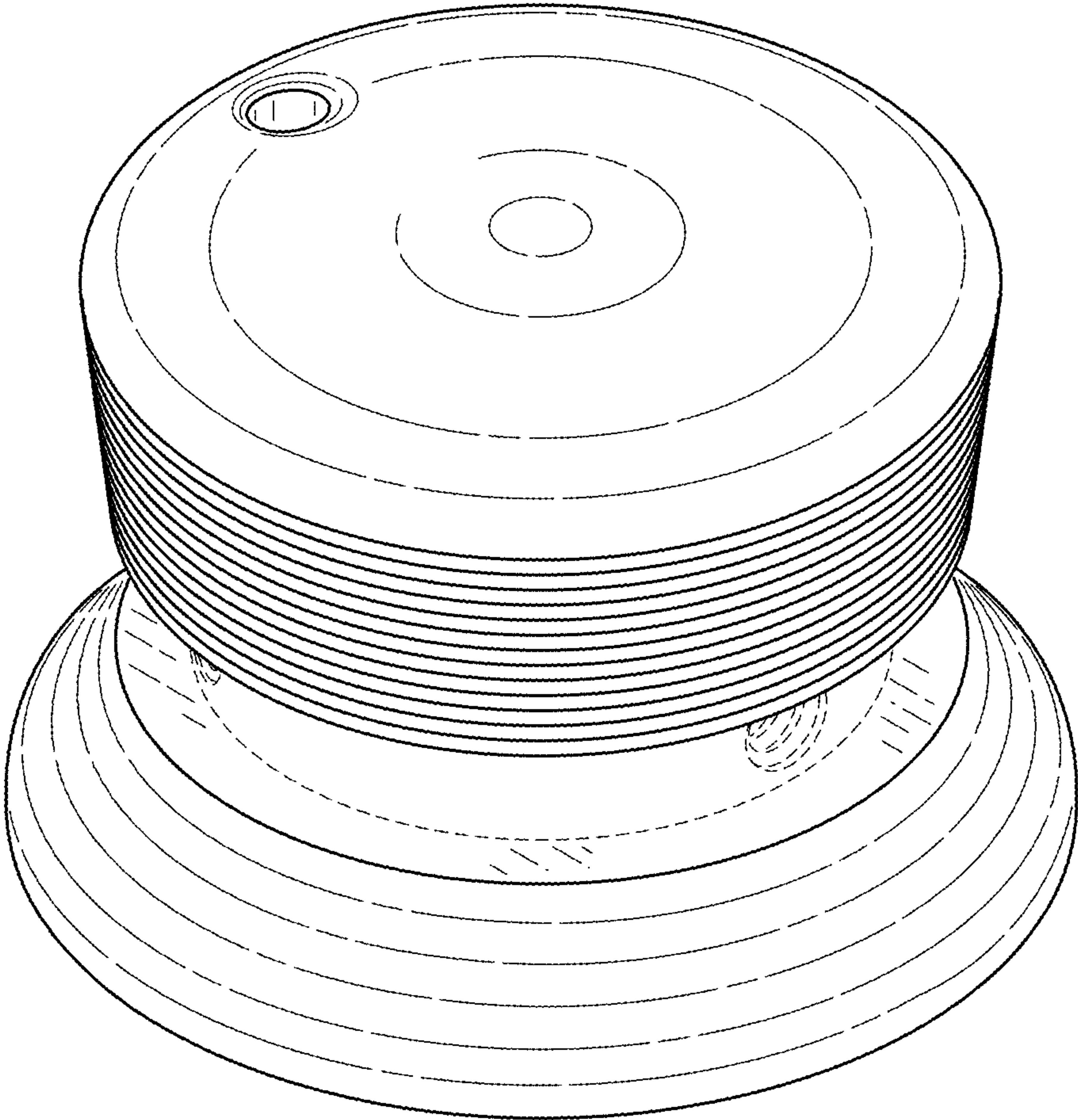


FIG.1

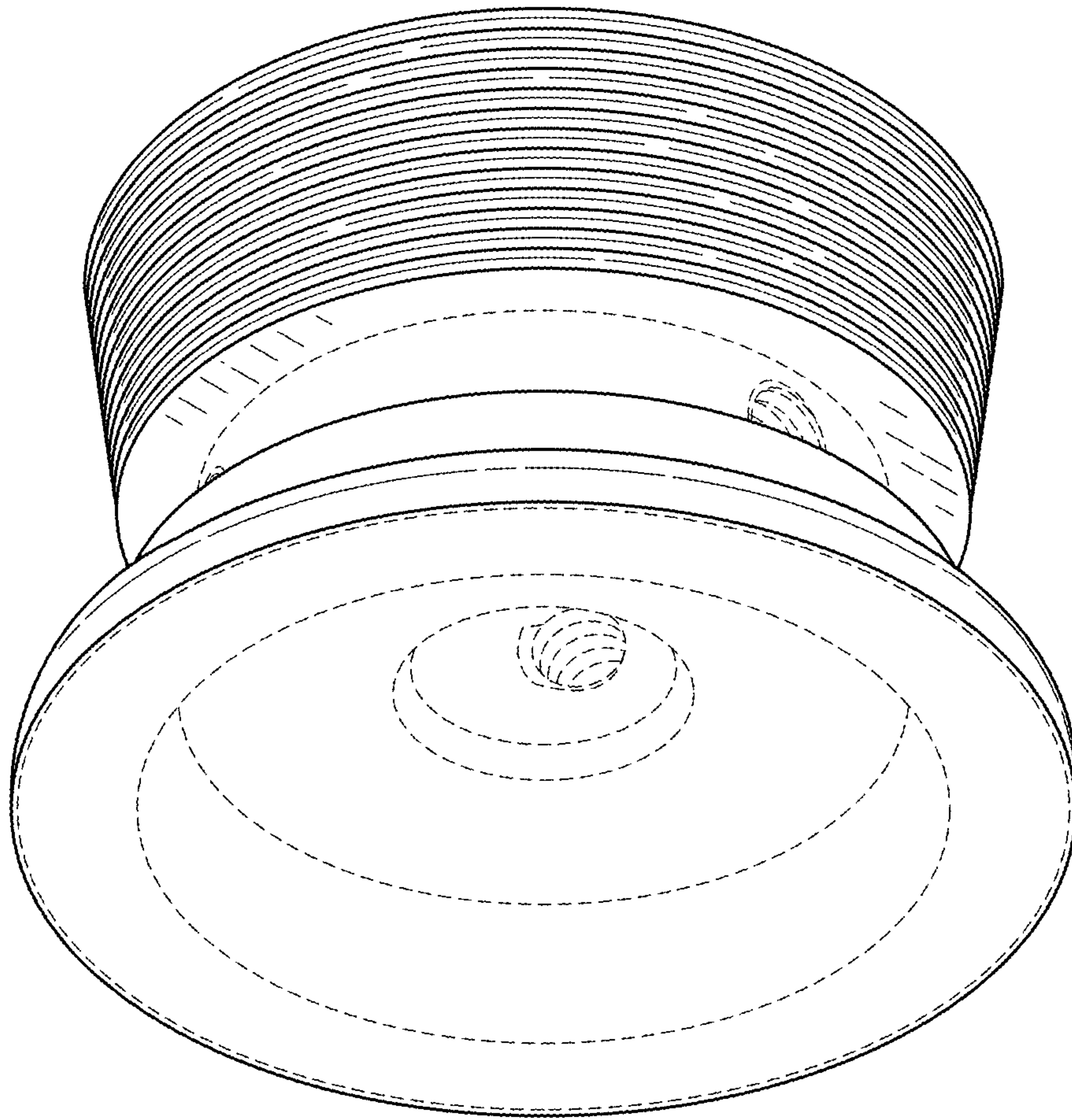


FIG.2

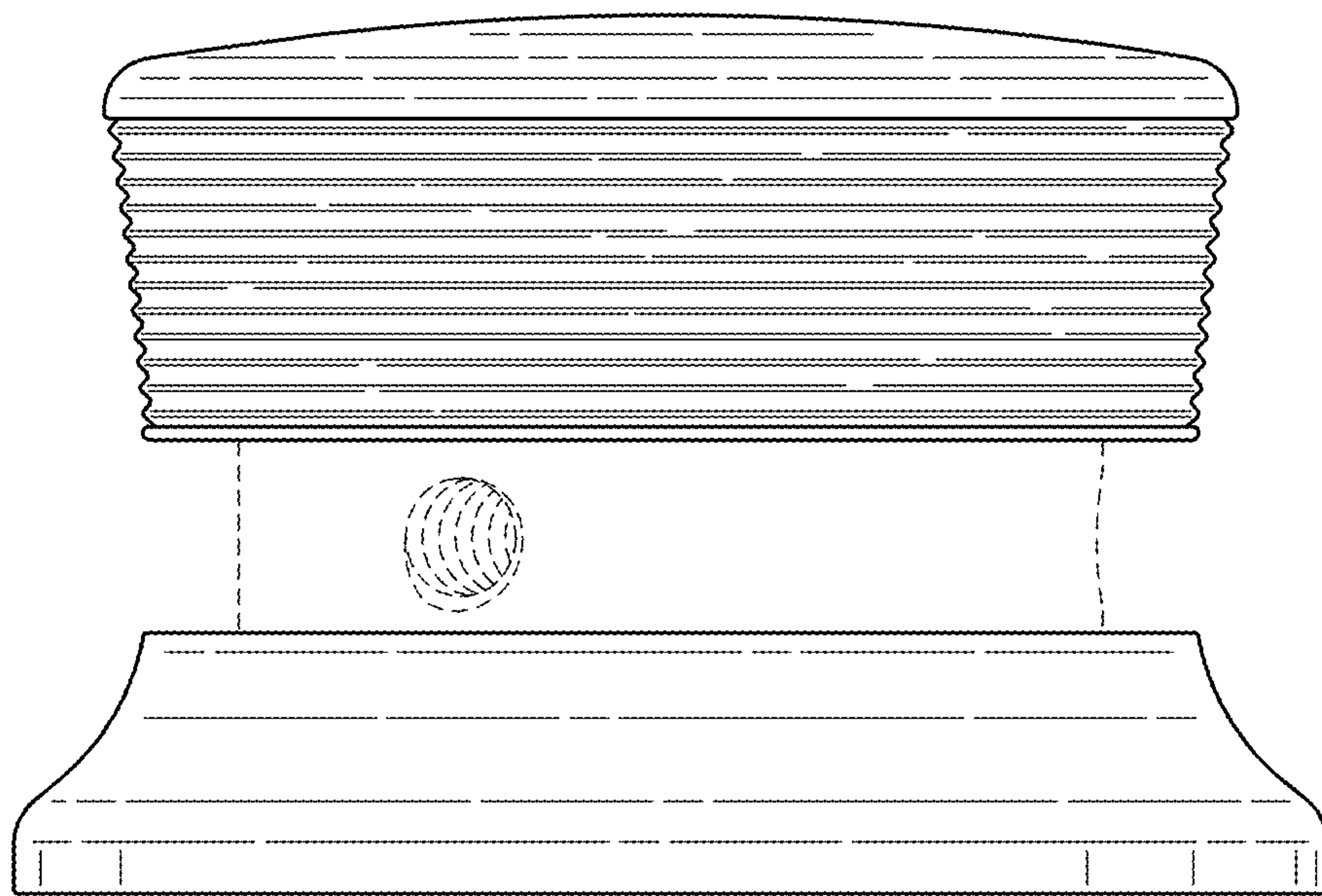


FIG.3

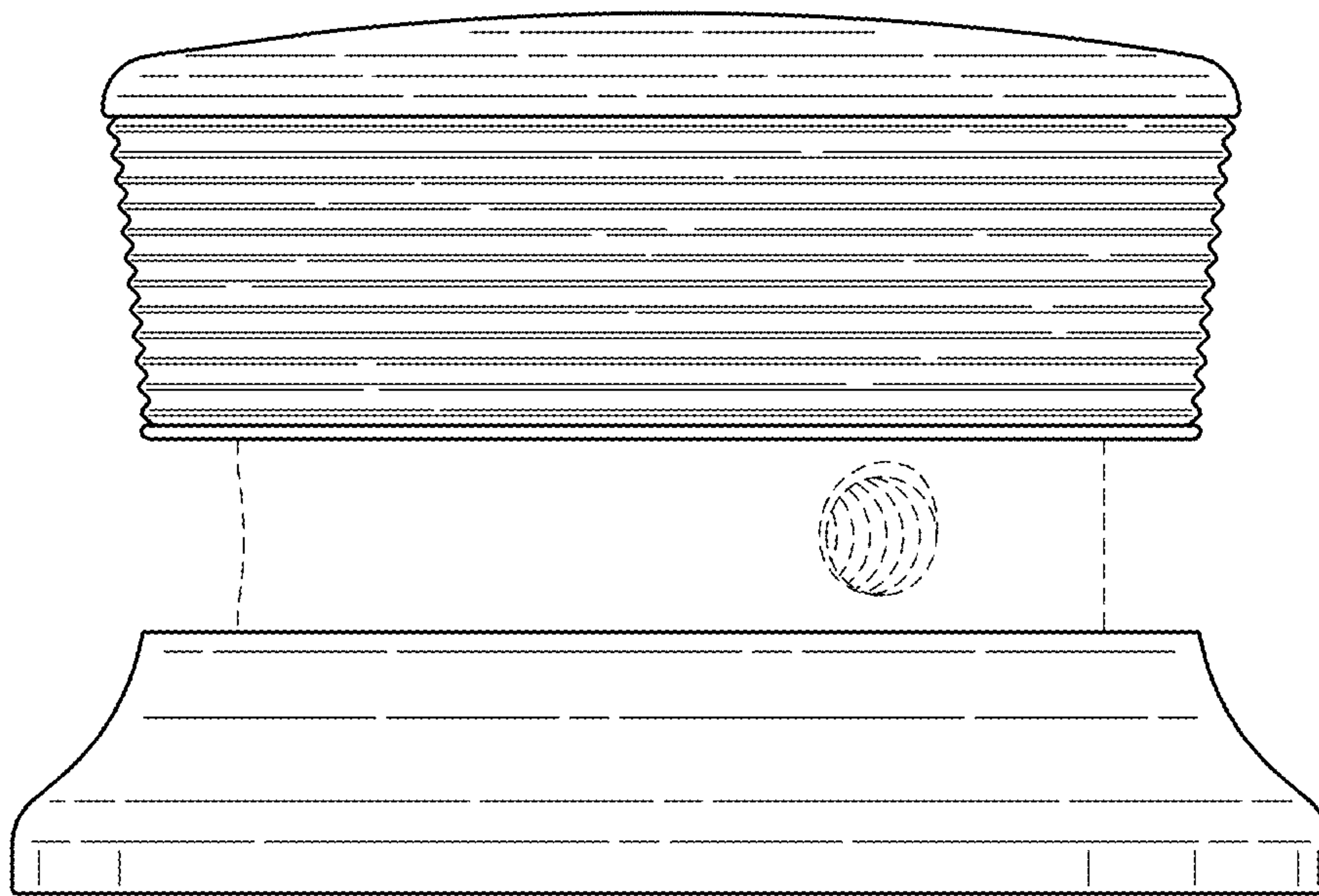


FIG.4

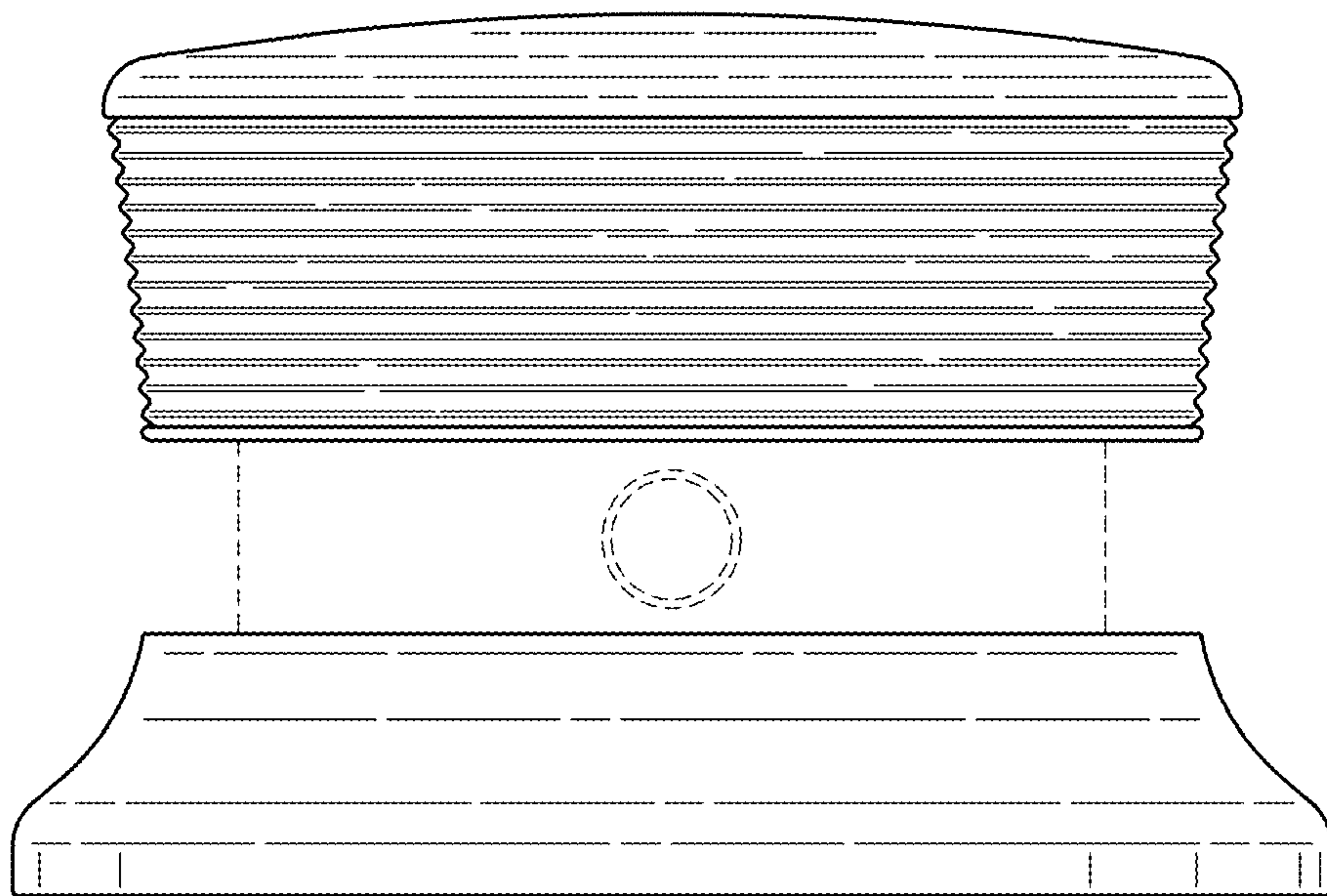


FIG.5

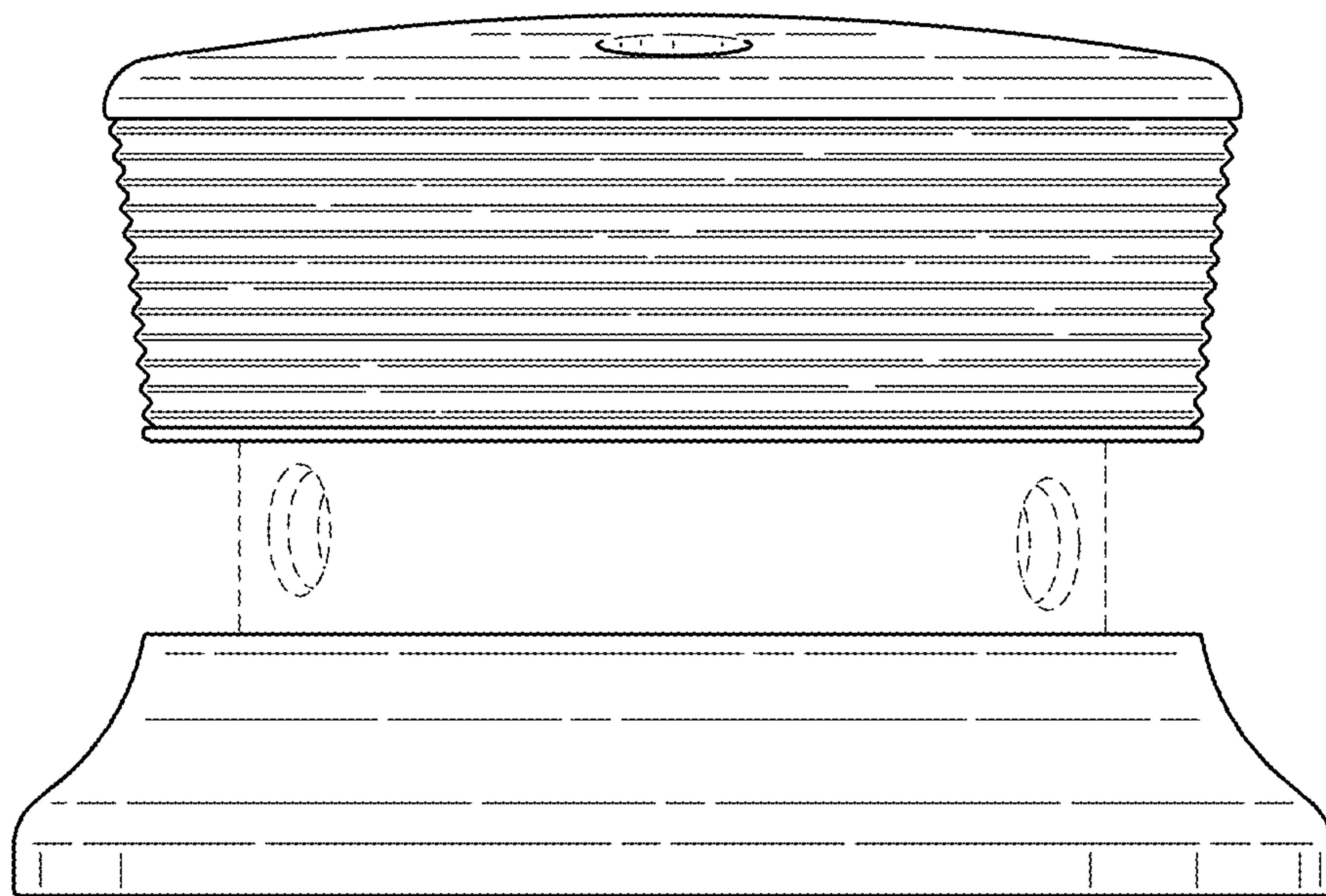


FIG.6

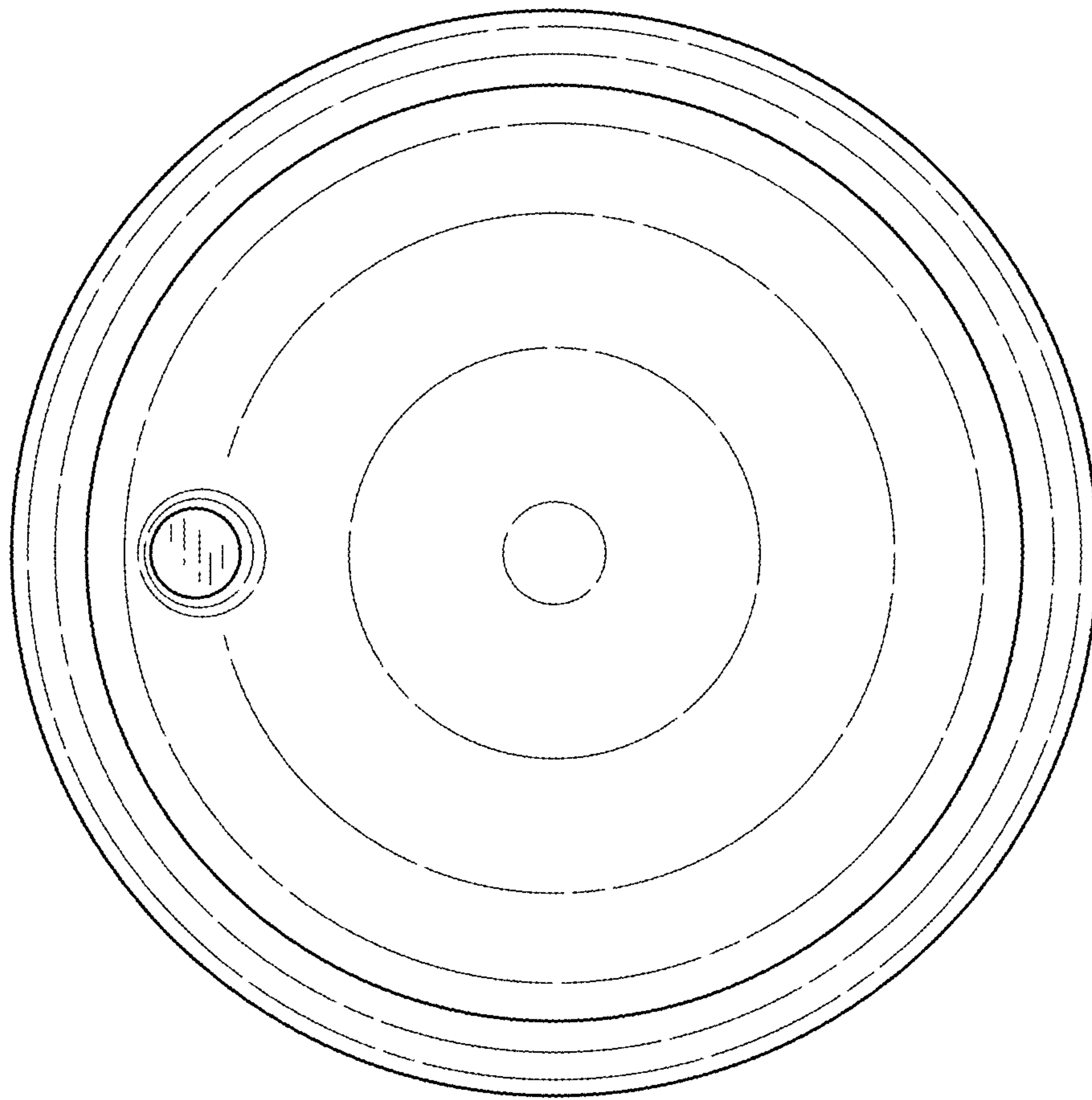


FIG.7

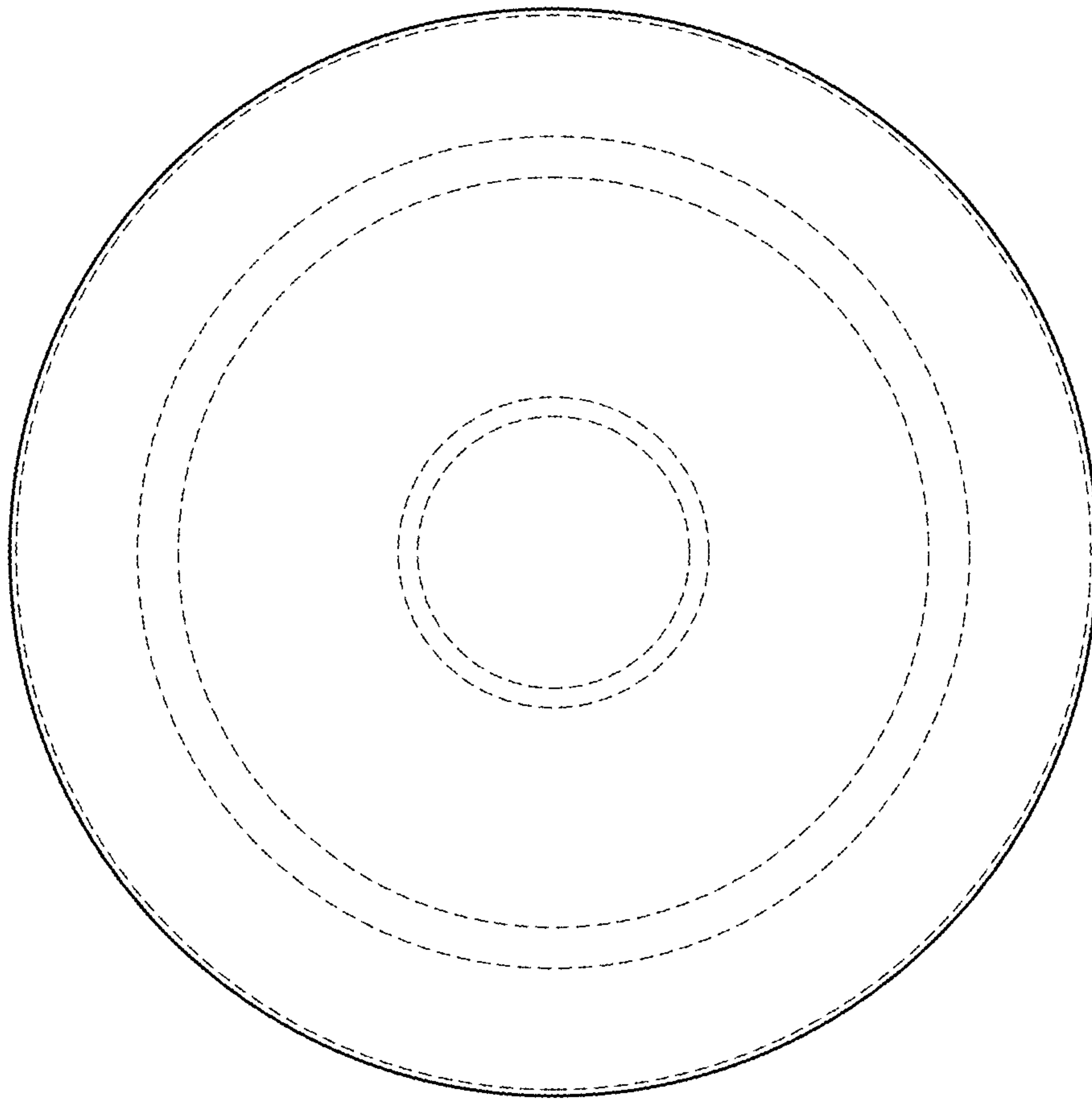


FIG.8