



US00D909464S

(12) **United States Design Patent**
Renon

(10) **Patent No.:** **US D909,464 S**

(45) **Date of Patent:** **** Feb. 2, 2021**

- (54) **EYEGLASS HINGE**
- (71) Applicant: **LUXOTTICA S.R.L.**, Agordo (IT)
- (72) Inventor: **Claudio Renon**, Voltago Agordino (IT)
- (73) Assignee: **LUXOTTICA S.R.L.**, Agordo (IT)
- (**) Term: **15 Years**
- (21) Appl. No.: **29/678,744**
- (22) Filed: **Jan. 30, 2019**
- (30) **Foreign Application Priority Data**

Jul. 31, 2018 (EM) 005519212

(51) **LOC (13) Cl.** **16-06**

(52) **U.S. Cl.**
USPC **D16/335**

(58) **Field of Classification Search**
 USPC 348/115, 53, 121, 739; 345/7-9, 905;
 351/158, 153, 144; D14/125, 126, 129,
 D14/299, 372, 496, 432; D16/101, 300,
 D16/303-304, 309-315, 317-323,
 D16/325-340; D29/108, 109, 110, 112
 CPC . A63B 33/00; A63B 33/002; A63B 2033/004;
 A63B 2033/006; A63B 2033/008; G02C
 2200/08; G02C 2200/22; G02C 5/008;
 G02C 5/14; G02C 5/16; G02C 5/146;
 G02C 5/2254; G02C 1/06; G02C 11/02;
 G02C 11/04; A61M 2021/0044; B63C
 11/12; A61F 9/00; A61F 9/02
 See application file for complete search history.

(56) **References Cited**

U.S. PATENT DOCUMENTS

- D80,193 S 12/1929 Sweeney
- D90,354 S * 7/1933 Bouchard D16/335
- D91,543 S * 2/1934 Reynolds D16/334

- D91,918 S * 4/1934 Bouchard D16/334
- D92,196 S * 5/1934 Pappert D16/334
- D92,320 S * 5/1934 Reynolds D16/334
- D94,417 S * 1/1935 Grom D16/334
- D98,407 S * 1/1936 Splaine D16/334
- D98,543 S * 2/1936 Nerney D16/334
- D100,346 S * 7/1936 Eagle D16/334
- 2,080,282 A * 5/1937 Levigton G02C 1/02
351/143
- D107,106 S * 11/1937 Taylor D16/334
- D109,772 S * 5/1938 Splaine D16/334
- D114,125 S 4/1939 Tanasso et al.
- D119,893 S * 4/1940 Rohrbach D16/334
- D127,600 S 6/1941 Chappell
- 2,542,690 A 2/1951 Lindblom
- D175,135 S 7/1955 Stegeman
- D204,636 S 5/1966 Radziwon et al.
- 4,699,479 A * 10/1987 Metcalfe G02C 5/146
16/228
- D324,228 S 2/1992 Perrin
- D326,464 S 5/1992 Tabacchi
- D350,967 S 9/1994 Cereda
- D372,727 S 8/1996 Simioni et al.
- D384,365 S * 9/1997 Keith D16/334

(Continued)

Primary Examiner — Sanjeev Paul
(74) *Attorney, Agent, or Firm* — Cantor Colburn LLP

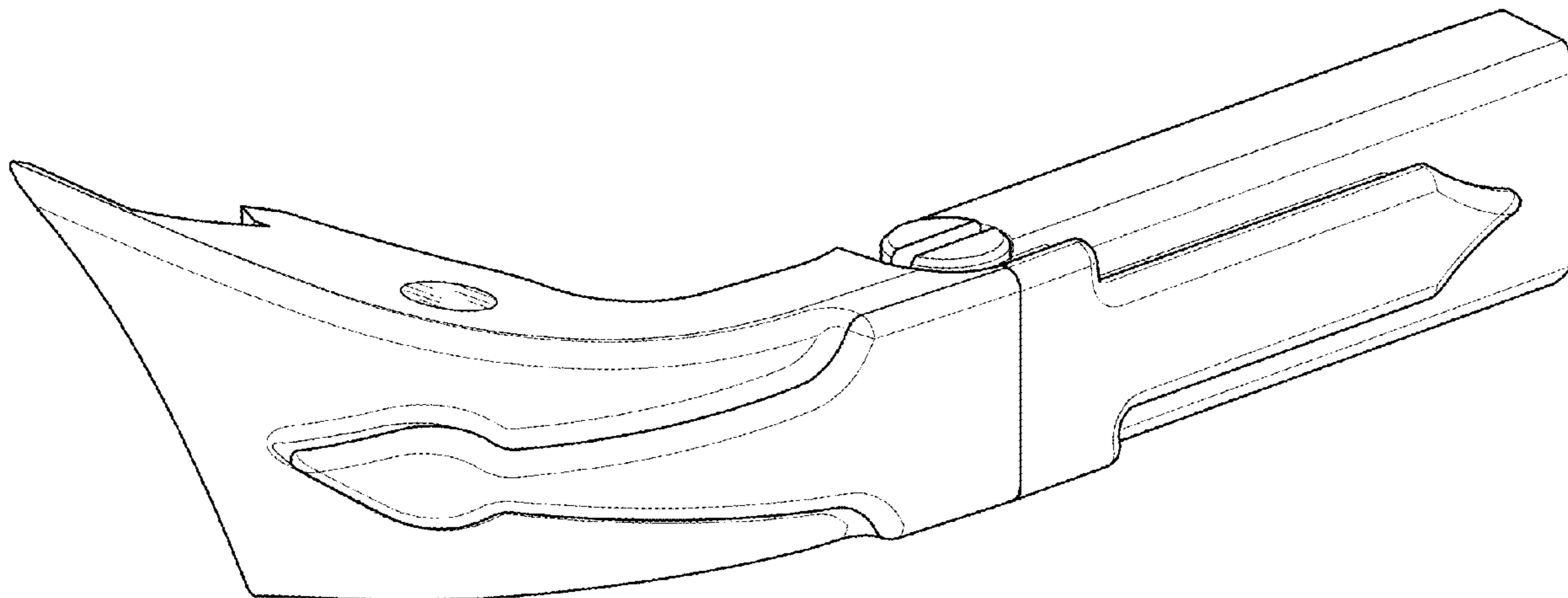
(57) **CLAIM**

I claim, the ornamental design for a eyeglass hinge, as shown and described.

DESCRIPTION

FIG. 1 is a perspective view of an eyeglass hinge, showing my new design;
 FIG. 2 is a front elevation view thereof;
 FIG. 3 is a rear elevation view thereof;
 FIG. 4 is a left side view thereof;
 FIG. 5 is a right side view thereof;
 FIG. 6 is a top plan view thereof; and,
 FIG. 7 is a bottom plan view thereof.

1 Claim, 7 Drawing Sheets



(56)

References Cited

U.S. PATENT DOCUMENTS

D420,380 S *	2/2000	Simioni	D16/335	D815,188 S	4/2018	Markovitz et al.	
D426,567 S	6/2000	Gugler		D827,702 S	9/2018	Jha et al.	
D430,190 S	8/2000	Hirschman et al.		D832,332 S *	10/2018	Renon	D16/334
D434,790 S	12/2000	Lepeu et al.		D832,914 S *	11/2018	Renon	D16/334
D443,633 S	6/2001	Lazarides		D833,512 S	11/2018	Jamin	
D459,747 S *	7/2002	Marc	D16/334	D833,514 S *	11/2018	Renon	D16/334
D459,748 S *	7/2002	Marc	D16/334	D833,515 S *	11/2018	Renon	D16/334
D482,384 S	11/2003	Frederik Anton Thiele et al.		D833,516 S *	11/2018	Renon	D16/334
D516,605 S *	3/2006	Marc	D16/334	D836,704 S	12/2018	Jamin	
D553,179 S	10/2007	Irvine		D843,439 S	3/2019	Harmon et al.	
D555,709 S *	11/2007	Chen	D16/334	D843,440 S	3/2019	Sanchez et al.	
D587,740 S	3/2009	Friedman		D851,167 S	6/2019	Harmon et al.	
D623,216 S	9/2010	Rohrbach		D855,690 S	8/2019	Harmon et al.	
D634,774 S	3/2011	Fuchs		D856,407 S	8/2019	Craig et al.	
8,403,477 B2	3/2013	Ogren		D856,408 S	8/2019	Harmon et al.	
D689,117 S	9/2013	Ho		D857,788 S	8/2019	Mendelsohn et al.	
D701,558 S *	3/2014	Lai	D16/334	D860,303 S	9/2019	Shin	
D703,259 S	4/2014	Markovitz et al.		D861,062 S	9/2019	Jamin	
D703,732 S	4/2014	Markovitz et al.		D861,774 S	10/2019	Harmon et al.	
D705,340 S	5/2014	Shin		D870,195 S	12/2019	Craig et al.	
D720,386 S	12/2014	Kroman et al.		D870,196 S	12/2019	Craig et al.	
D721,126 S	1/2015	Anthony		D872,195 S	1/2020	Jin et al.	
D721,397 S *	1/2015	Feldman	D16/334	D873,899 S	1/2020	Jamin	
D741,943 S	10/2015	Keplinger		D878,774 S	3/2020	Lee	
D745,595 S	12/2015	Szymanski		2007/0052916 A1 *	3/2007	Zeng	G02C 1/02 351/41
D746,357 S	12/2015	Markovitz et al.		2010/0177277 A1	7/2010	Kokonaski et al.	
D746,358 S	12/2015	Markovitz et al.		2014/0078461 A1 *	3/2014	Earley	G02C 1/08 351/90
D746,359 S	12/2015	Markovitz		2015/0002805 A1 *	1/2015	Chen	G02C 1/04 351/121
D753,756 S *	4/2016	Renon	D16/323	2015/0022774 A1 *	1/2015	Chen	G02C 1/04 351/57
D767,015 S	9/2016	Chim et al.		2015/0077695 A1	3/2015	Rattelade	
D769,352 S	10/2016	Markovitz et al.		2016/0103332 A1 *	4/2016	Lin	G02C 1/02 351/110
D772,329 S	11/2016	Hsu		2016/0154253 A1	6/2016	Benvegna	
D778,979 S	2/2017	Buffa		2017/0108713 A1 *	4/2017	Blum	G02C 7/101
D783,082 S	4/2017	Sallard		2017/0307903 A1 *	10/2017	Calilung	G02C 5/146
D785,077 S	4/2017	Renon		2018/0348540 A1 *	12/2018	Huang	G02C 5/02
D798,373 S	9/2017	Jamin		2019/0137783 A1 *	5/2019	Huang	G02C 1/02
D800,827 S	10/2017	Renon					
D803,298 S	11/2017	Park et al.					
D815,187 S	4/2018	Markovitz et al.					

* cited by examiner

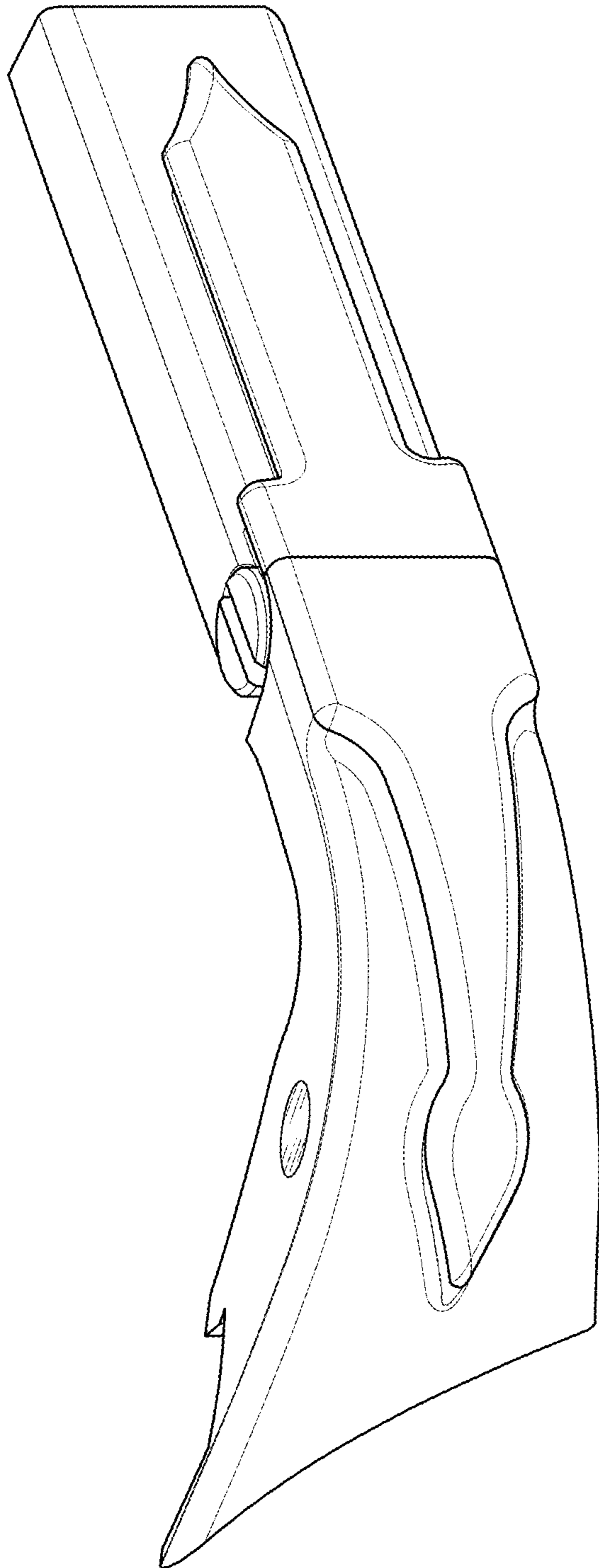


Fig. 1

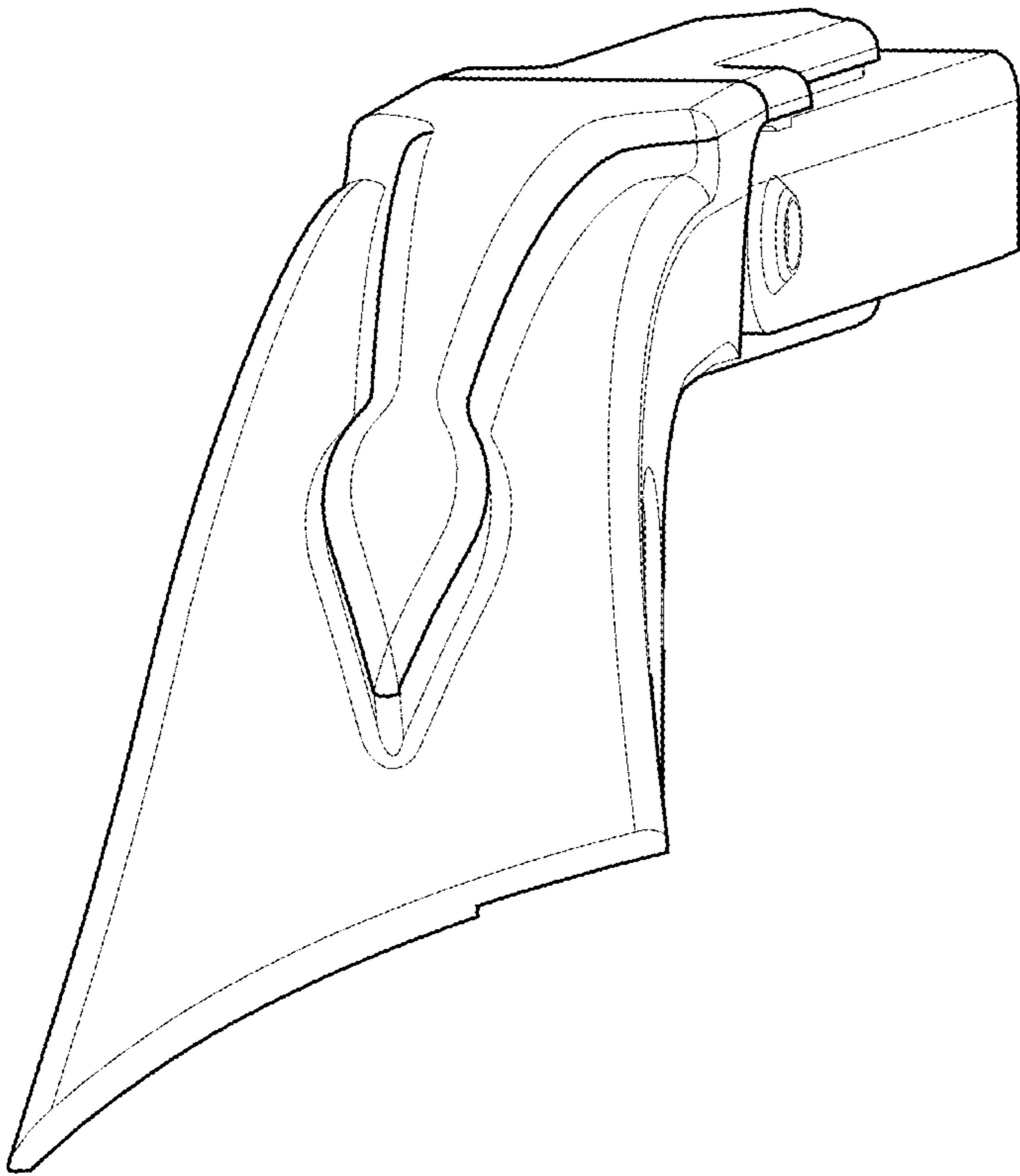


Fig. 2

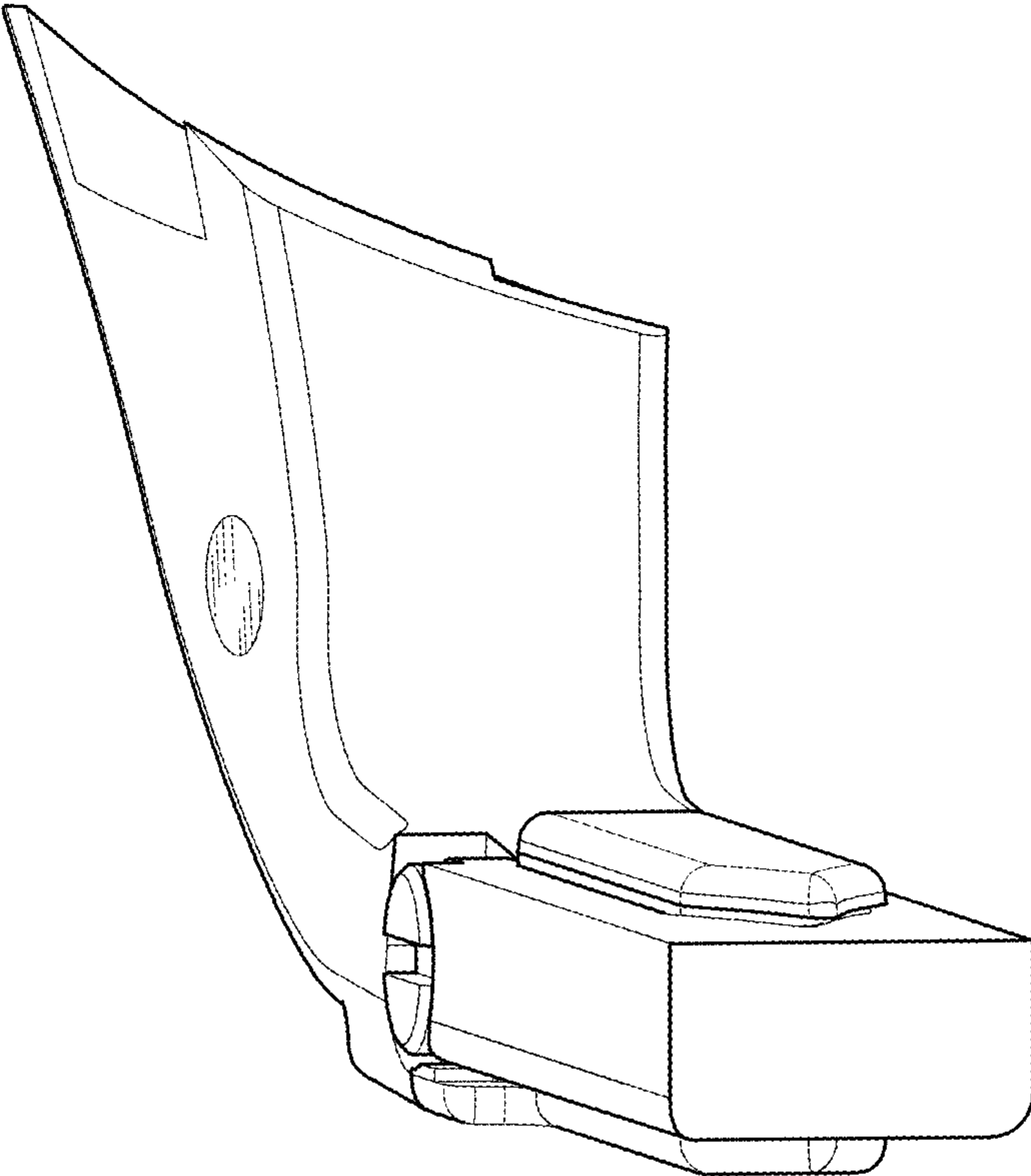


Fig. 3

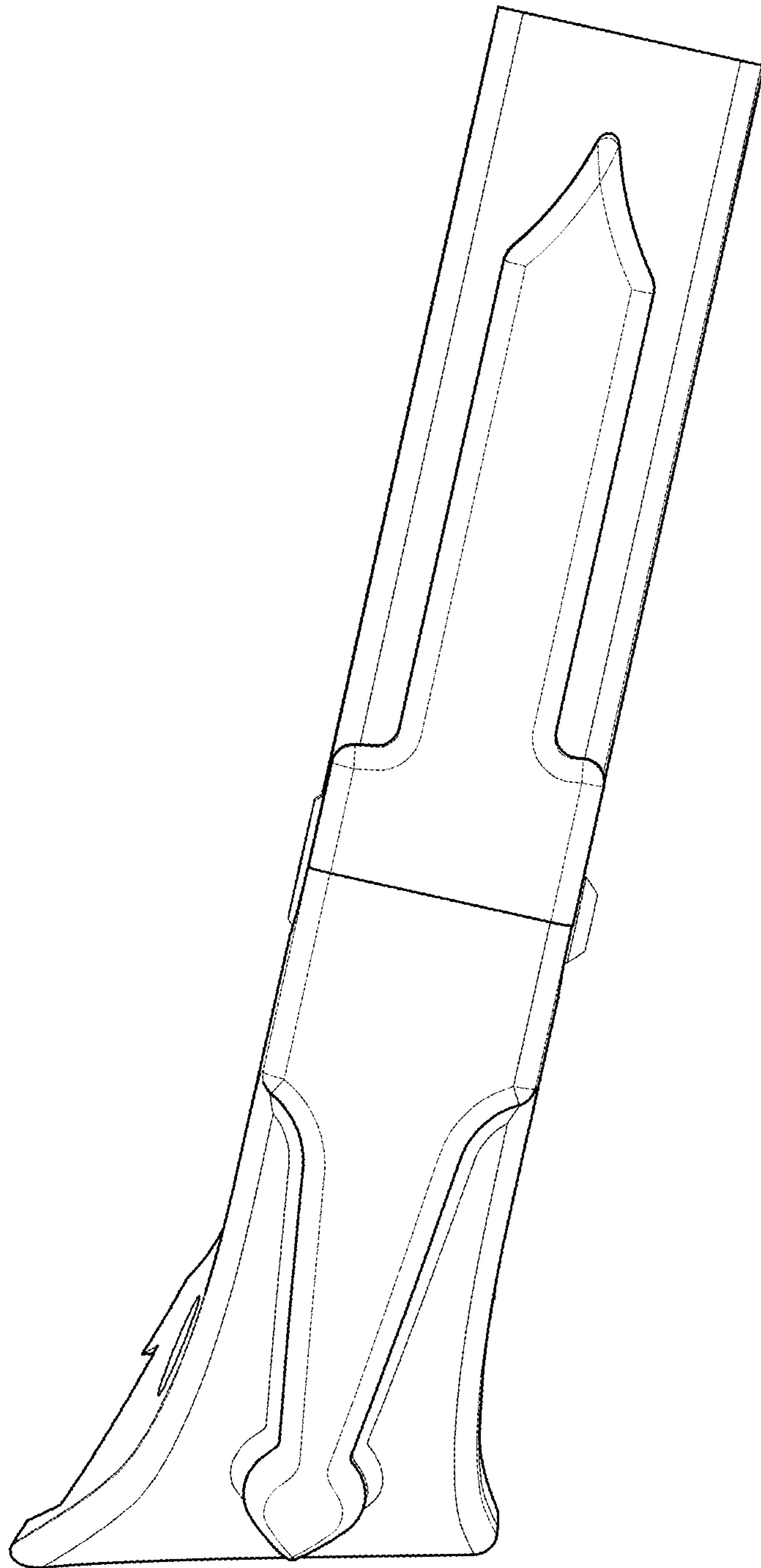


Fig. 4

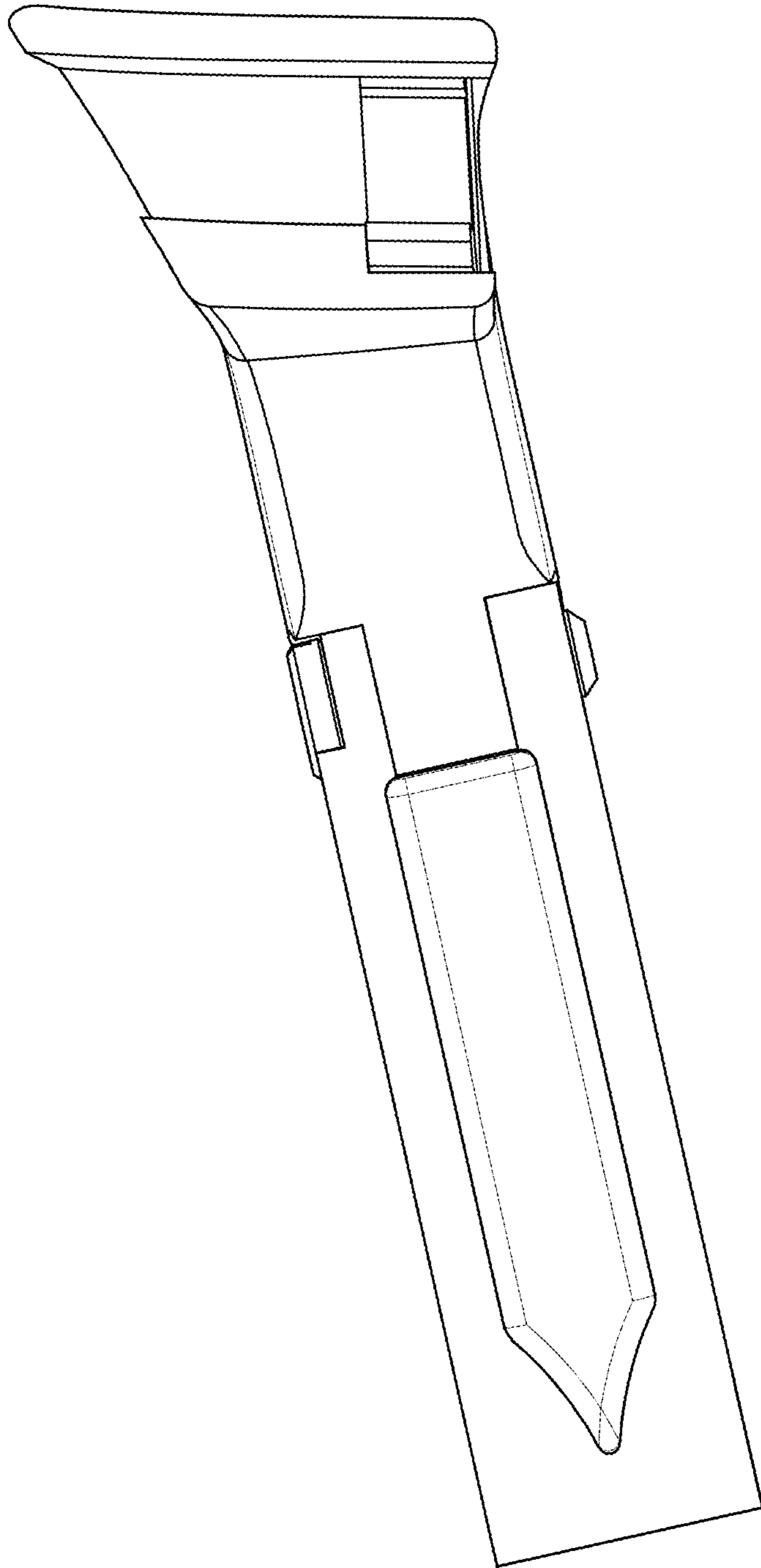


Fig. 5

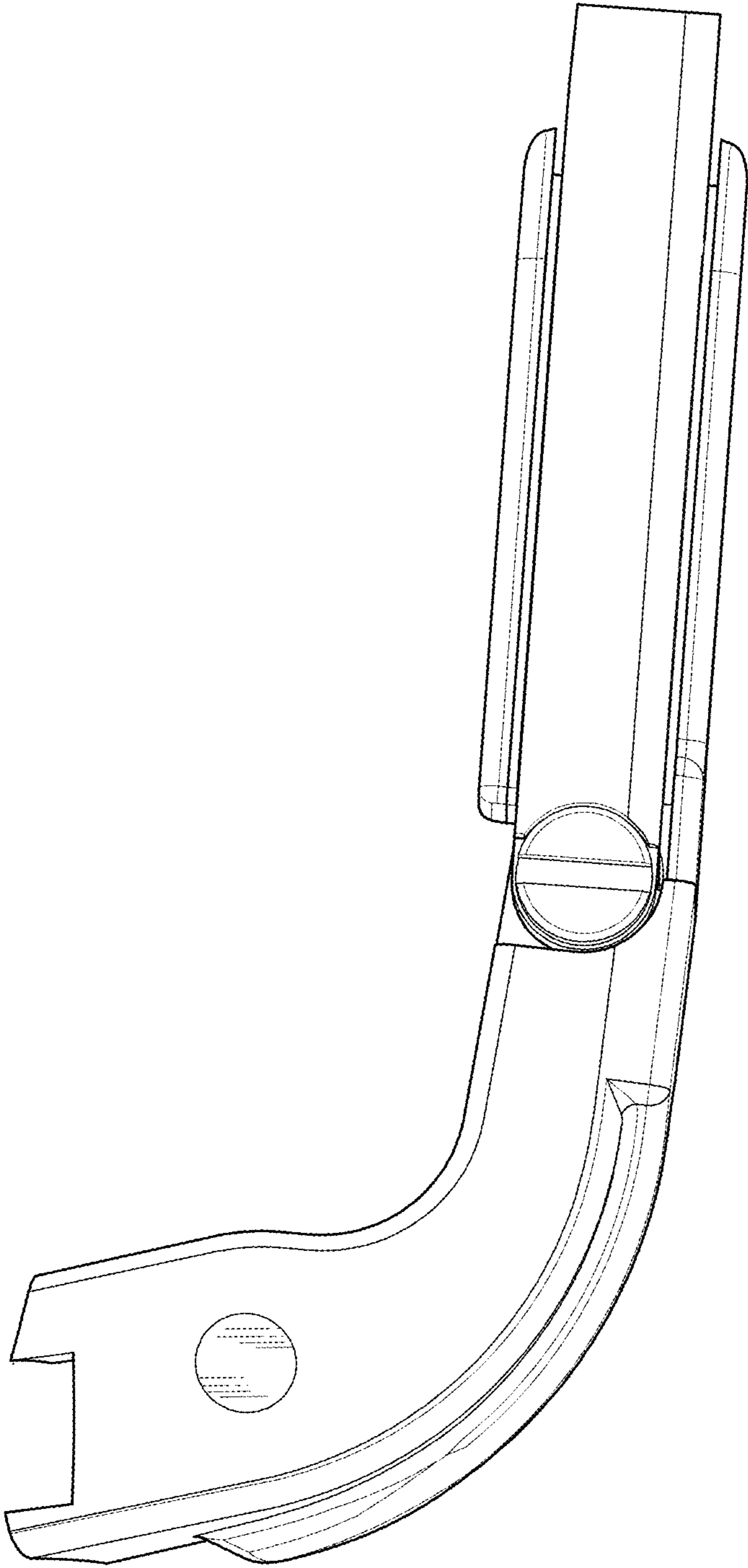


Fig. 6

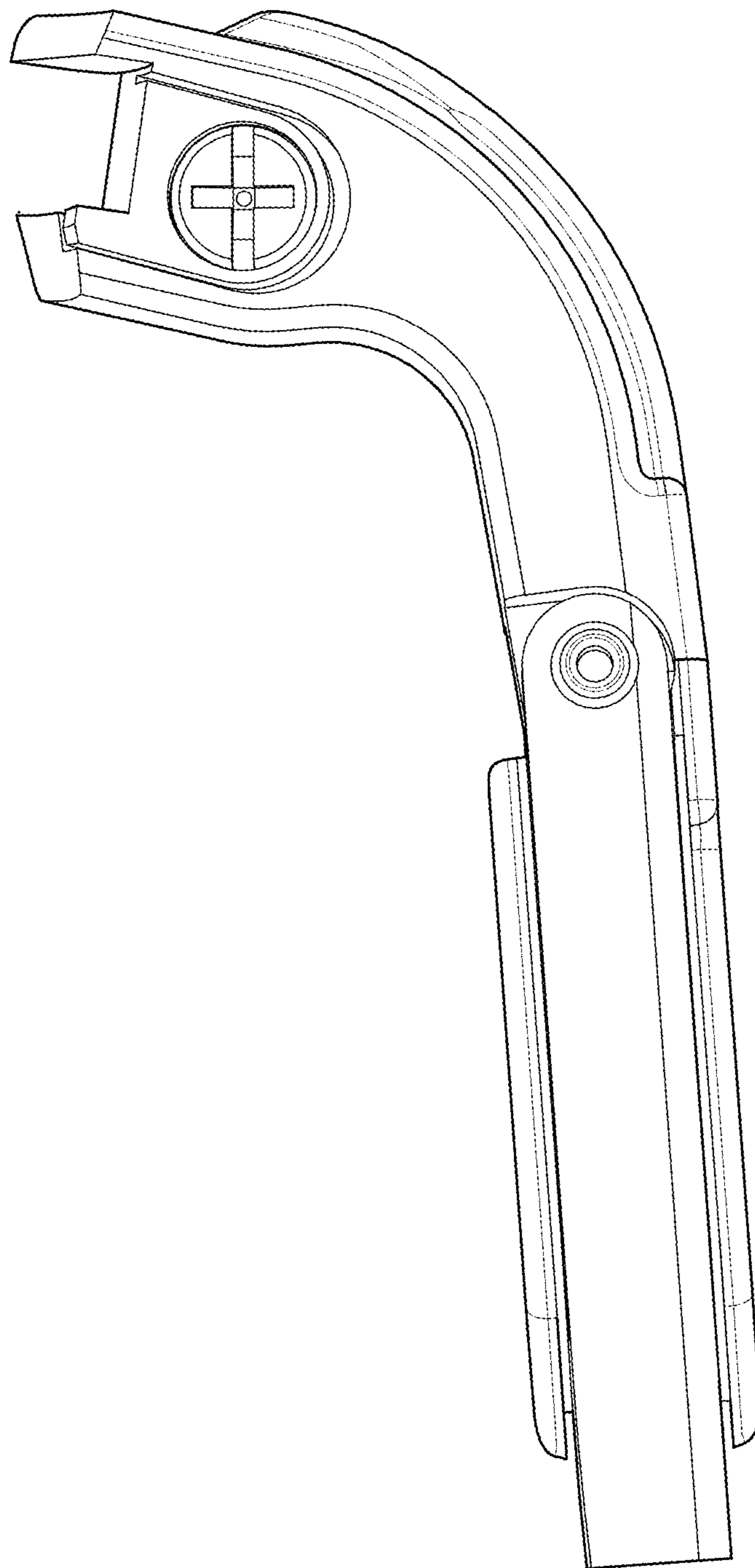


Fig. 7