



US00D909463S

(12) **United States Design Patent**
Kaneda

(10) **Patent No.:** **US D909,463 S**

(45) **Date of Patent:** **** Feb. 2, 2021**

(54) **EYEGLASSES**

(71) Applicant: **JINS HOLDINGS Inc.**, Maebashi (JP)

(72) Inventor: **Daisuke Kaneda**, Maebashi (JP)

(73) Assignee: **JINS HOLDINGS Inc.**, Maebashi (JP)

(**) Term: **15 Years**

(21) Appl. No.: **29/678,665**

(22) Filed: **Jan. 30, 2019**

(30) **Foreign Application Priority Data**

Jul. 31, 2018 (JP) 2018-016717

(51) **LOC (13) Cl.** **16-06**

(52) **U.S. Cl.**
USPC **D16/332**

(58) **Field of Classification Search**
USPC 348/115, 53, 121, 739; 345/7-9, 905;
351/158, 153, 144; D14/125, 126, 129,
D14/299, 372, 496, 432; D16/101, 300,
D16/303-304, 309-315, 317-323,
D16/325-340; D29/108, 109, 110, 112
CPC . A63B 33/00; A63B 33/002; A63B 2033/004;
A63B 2033/006; A63B 2033/008; G02C
2200/08; G02C 2200/22; G02C 5/008;
G02C 5/14; G02C 5/16; G02C 5/146;
G02C 5/2254; G02C 1/06; G02C 11/02;
G02C 11/04; A61M 2021/0044; B63C
11/12; A61F 9/00; A61F 9/02
See application file for complete search history.

(56) **References Cited**

U.S. PATENT DOCUMENTS

D350,359 S * 9/1994 Friedman D16/334
5,408,279 A * 4/1995 Chiou G02C 3/04
351/121
5,448,318 A * 9/1995 Heine G02C 9/04
351/158

D389,854 S * 1/1998 Nason D16/333
D444,491 S * 7/2001 Iwanaga D16/333
6,799,847 B2 * 10/2004 Caplan G02C 7/088
351/128

(Continued)

FOREIGN PATENT DOCUMENTS

CN 305530987 * 1/2020
DE 102009029491 A1 * 3/2011 G02C 5/2254

(Continued)

OTHER PUBLICATIONS

EM Design Application No. 002682757-0001, published Apr. 30,
2015.

(Continued)

Primary Examiner — Sanjeev Paul

(74) *Attorney, Agent, or Firm* — Wolf, Greenfield &
Sacks, P.C.

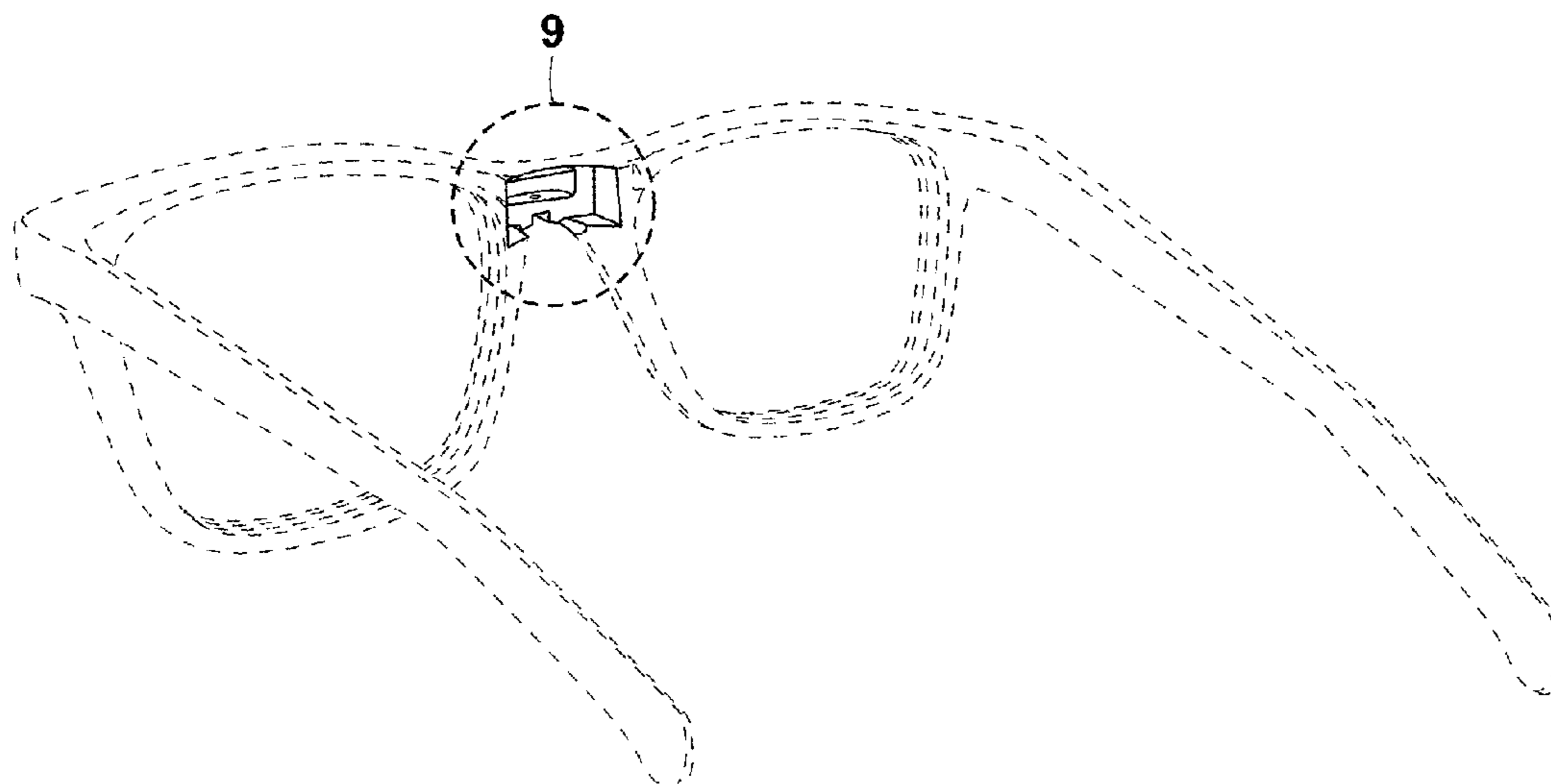
(57) **CLAIM**

The ornamental design for eyeglasses, as shown and
described.

DESCRIPTION

FIG. 1 is a top, rear, right side perspective view of eye-
glasses according to my new design;
FIG. 2 is a front elevation view thereof;
FIG. 3 is a rear elevation view thereof;
FIG. 4 is a top plan view thereof;
FIG. 5 is a bottom plan view thereof;
FIG. 6 is a right side elevation view thereof;
FIG. 7 is a left side elevation view thereof; and
FIG. 8 is an enlarged detail right side view along line 8-8;
and,
FIG. 9 is a detailed partial view of FIG. 1.
The broken lines in the figures represent portions of the
eyeglasses that form no part of the claimed design.

1 Claim, 4 Drawing Sheets



(56)

References Cited

U.S. PATENT DOCUMENTS

7,467,865 B2 * 12/2008 Szejnwald A61F 9/022
 351/158
 D597,585 S * 8/2009 Janik D16/309
 D655,742 S * 3/2012 Bogle D16/330
 8,172,419 B1 * 5/2012 Gasparre F21L 4/005
 362/103
 D676,897 S * 2/2013 Seo D16/332
 D682,923 S * 5/2013 Kim D16/330
 D719,607 S * 12/2014 Lalush D16/304
 D741,942 S * 10/2015 Hong D16/330
 D758,476 S * 6/2016 Ho D16/315
 D769,351 S * 10/2016 Markovitz D16/315
 D770,560 S * 11/2016 Shin D16/330
 D780,831 S 3/2017 Tanaka et al.
 D792,499 S 7/2017 Tanaka et al.
 D802,046 S * 11/2017 Ho D16/300
 10,114,231 B1 * 10/2018 Armstrong E05D 7/1011
 10,441,217 B2 * 10/2019 Komoda G02C 11/10
 D877,236 S * 3/2020 Damin D16/332
 2007/0052916 A1 * 3/2007 Zeng G02C 1/02
 351/41
 2008/0266515 A1 * 10/2008 Hou G02C 5/2209
 351/140
 2012/0320331 A1 * 12/2012 Walker, Jr. G02C 5/02
 351/57
 2015/0234200 A1 * 8/2015 Chou G02C 1/04
 351/105
 2017/0027470 A1 * 2/2017 Inoue G02C 5/12
 2017/0108713 A1 * 4/2017 Blum B29D 12/02

2017/0336648 A1 * 11/2017 Chen G02C 1/08
 2018/0004008 A1 * 1/2018 Froissard G02C 5/02
 2018/0049664 A1 * 2/2018 Miyazaki G02C 5/14
 2018/0348540 A1 * 12/2018 Huang G02C 5/02
 2018/0364497 A1 * 12/2018 Paris G02C 5/02

FOREIGN PATENT DOCUMENTS

JP D1445067 S 7/2012
 JP D1526401 S 6/2015
 JP D1526402 S 6/2015
 JP D1526780 S 6/2015
 JP D1526781 S 6/2015
 JP D1527297 S 6/2015
 JP D1527298 S 6/2015
 WO WO-2012044142 A1 * 4/2012 G02C 1/02
 WO WO 2016/194848 12/2016

OTHER PUBLICATIONS

EM Design Application No. 002682757-0002, published Apr. 30, 2015.
 EM Design Application No. 002682757-0003, published Apr. 30, 2015.
 EM Design Application No. 002682757-0004, published Apr. 30, 2015.
 EM Design Application No. 002682757-0005, published Apr. 30, 2015.
 EM Design Application No. 002682757-0006, published Apr. 30, 2015.

* cited by examiner

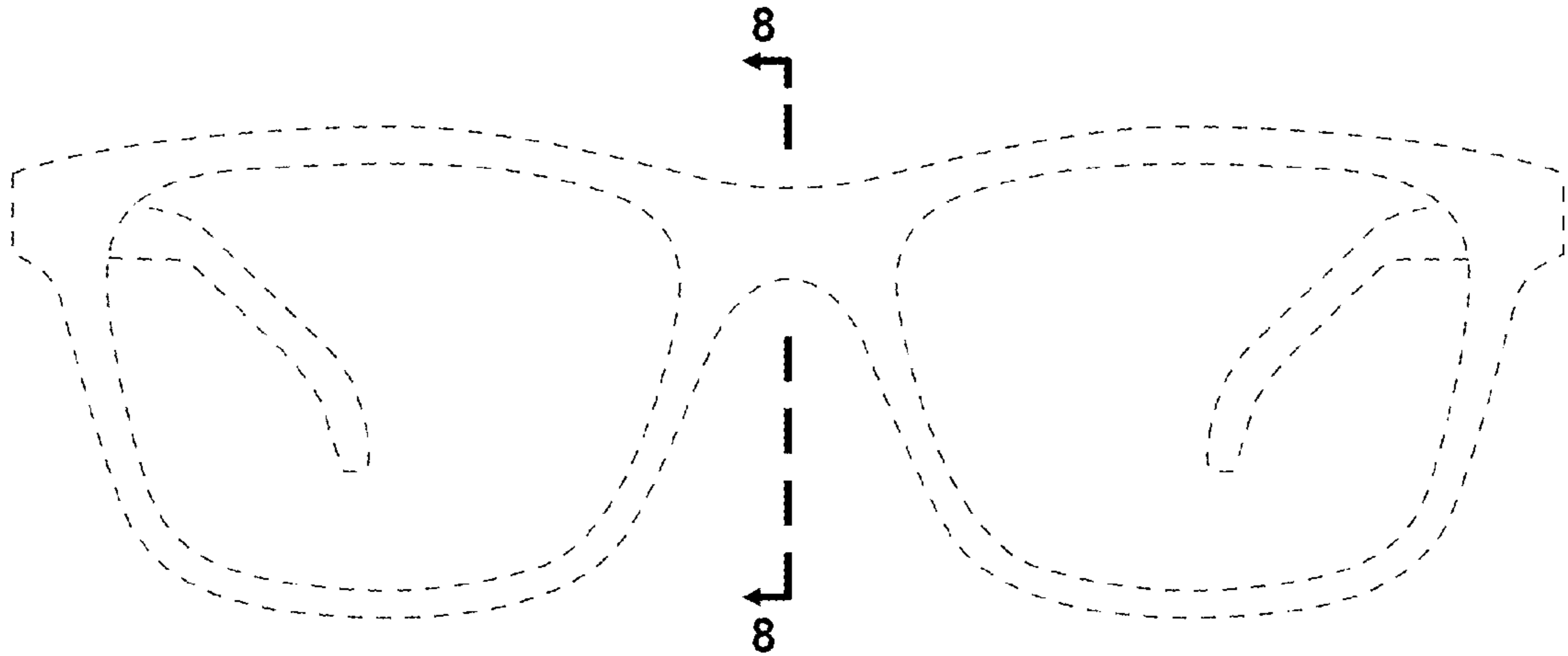
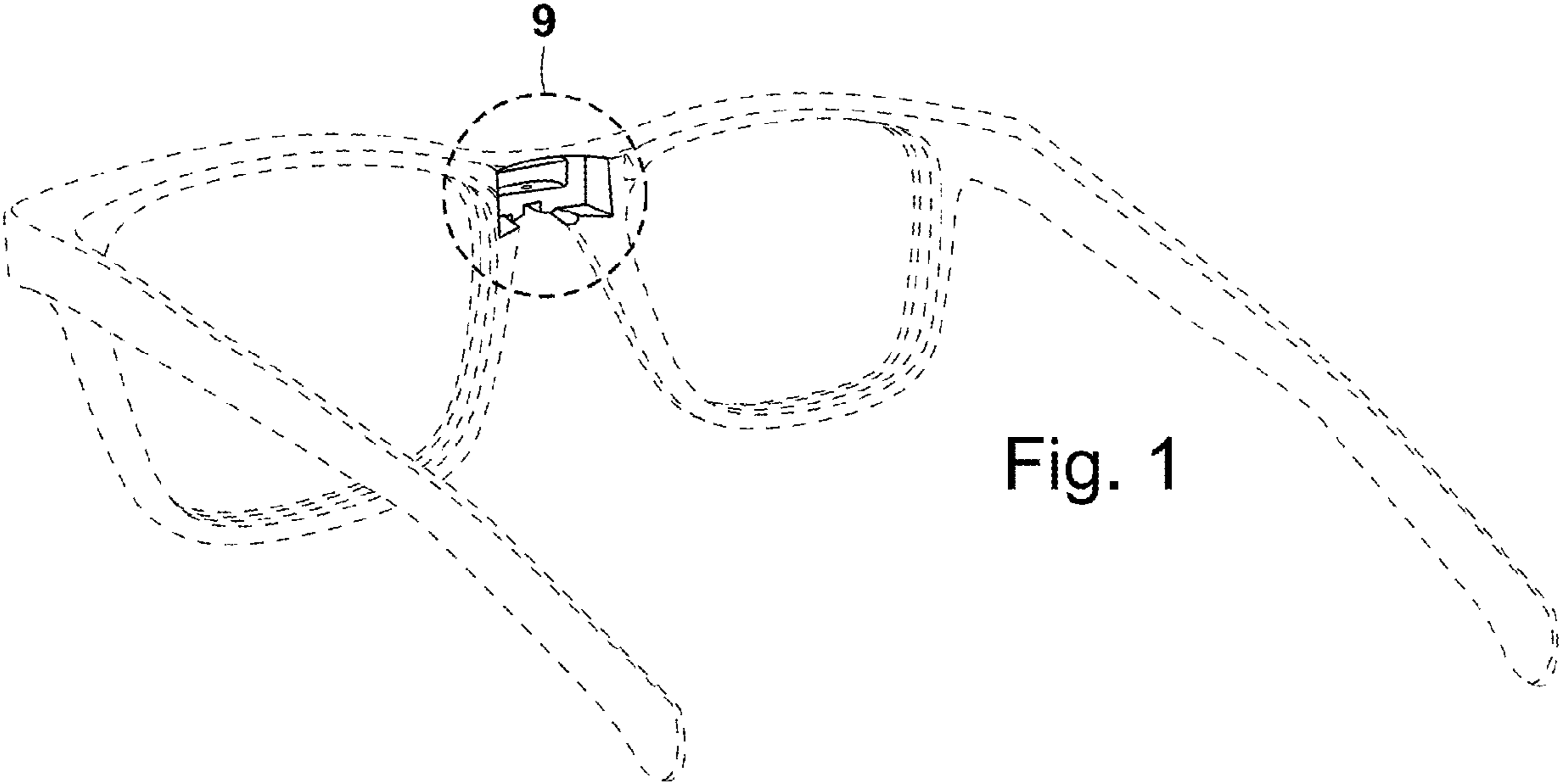


Fig. 2

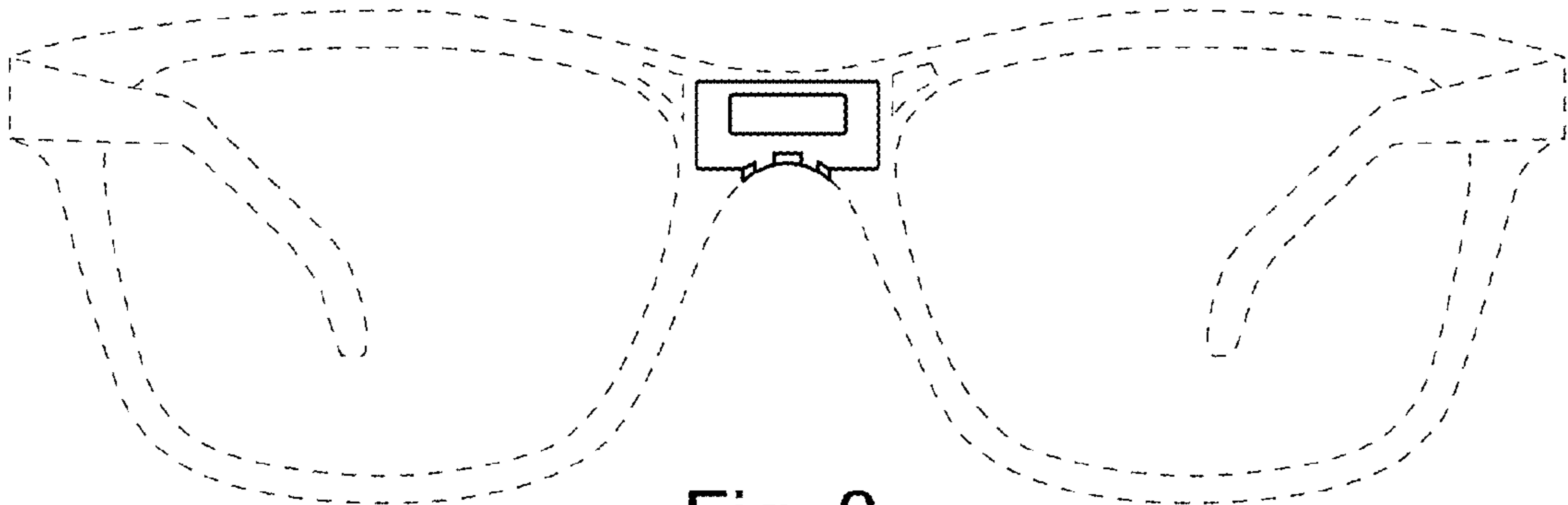


Fig. 3

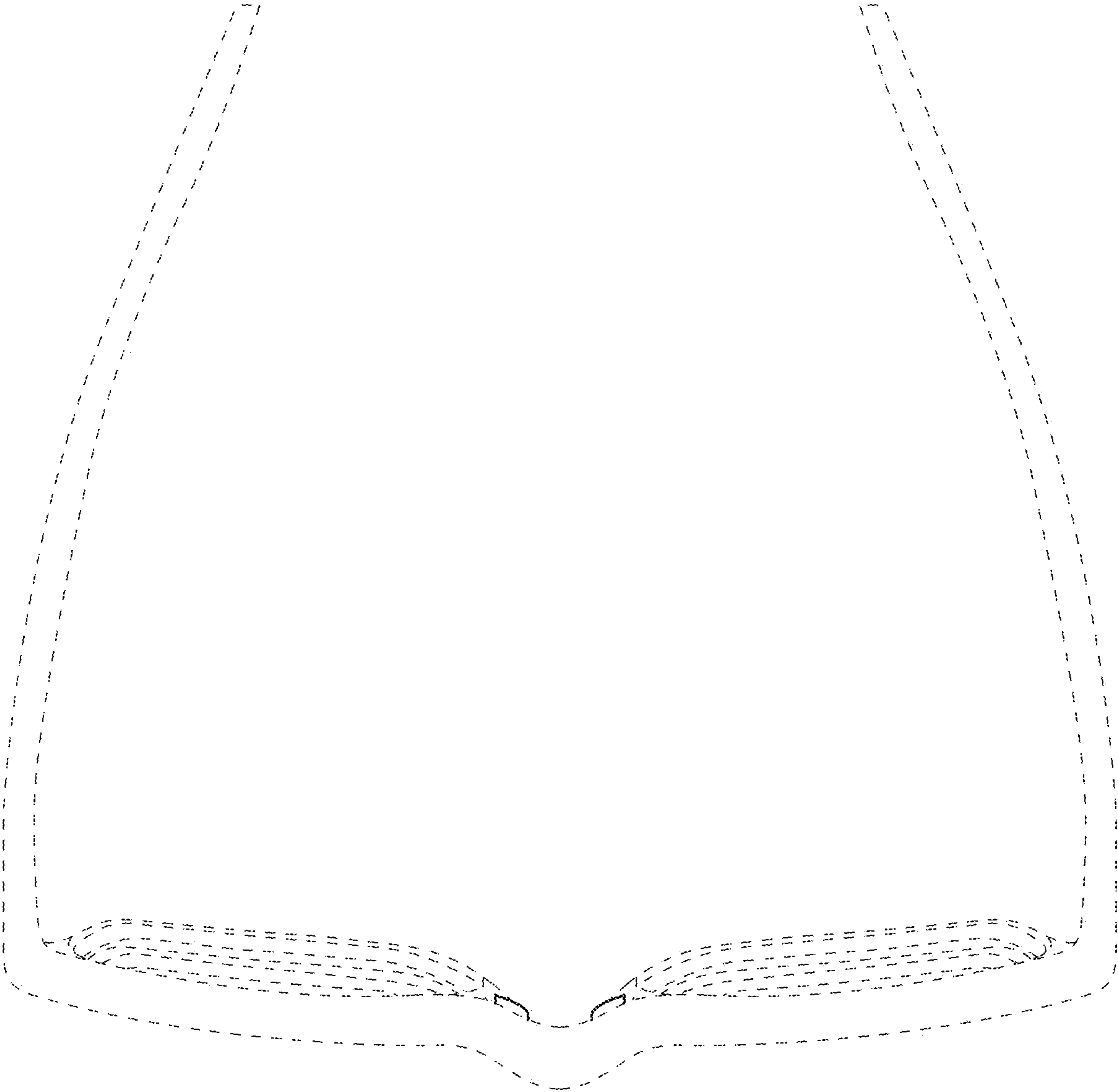


Fig. 4

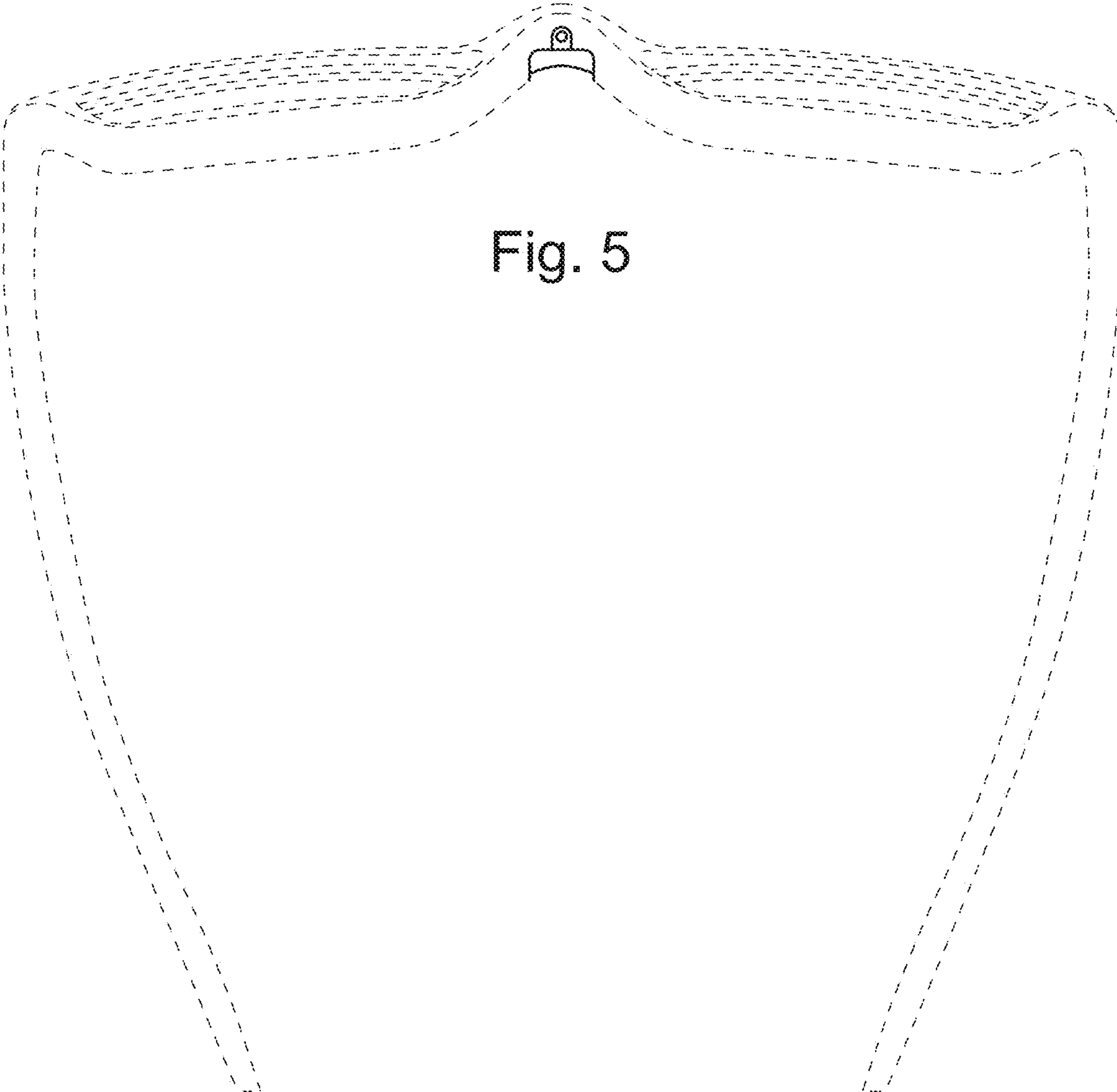


Fig. 5

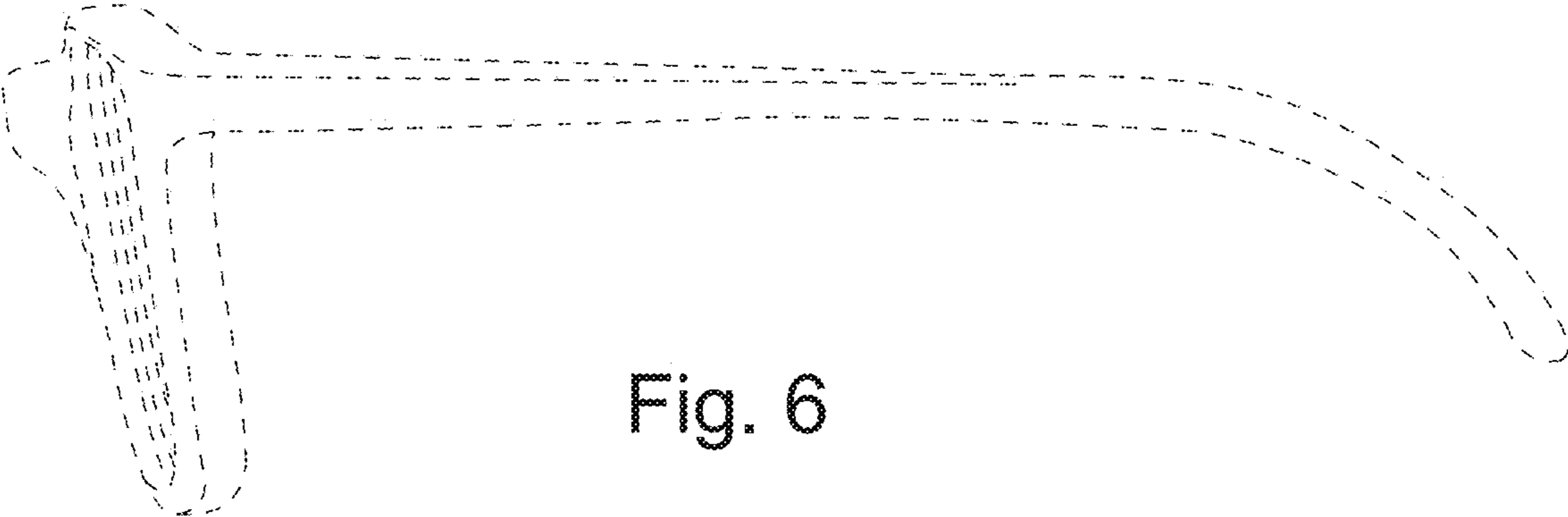


Fig. 6

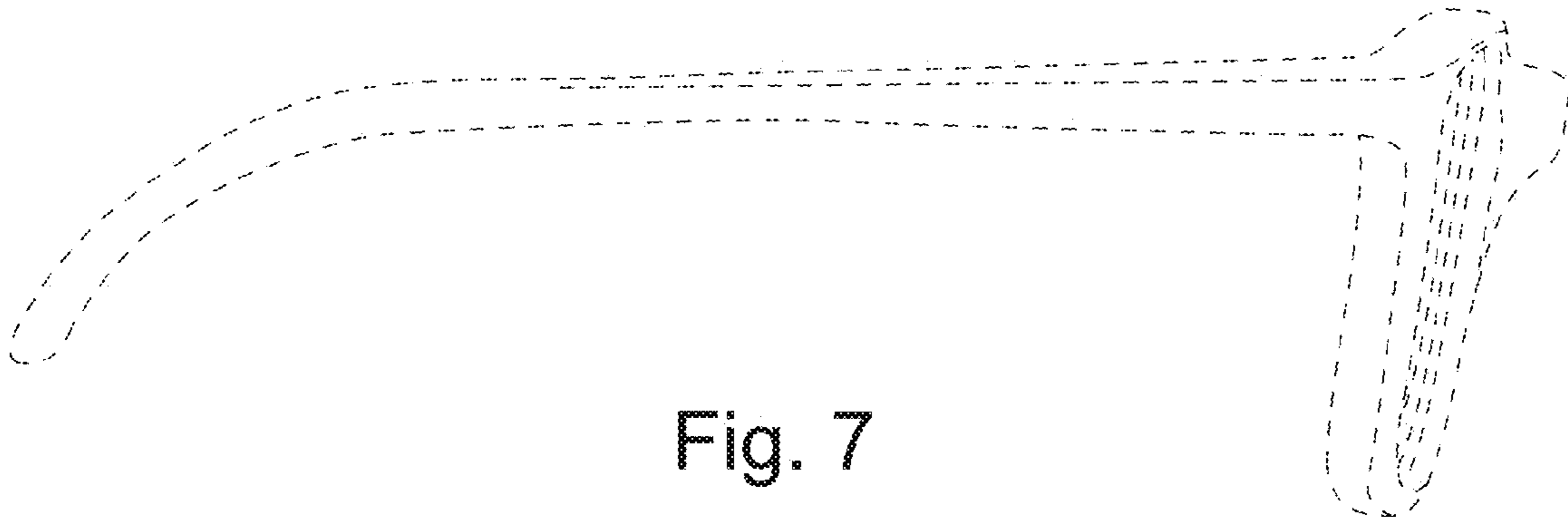


Fig. 7

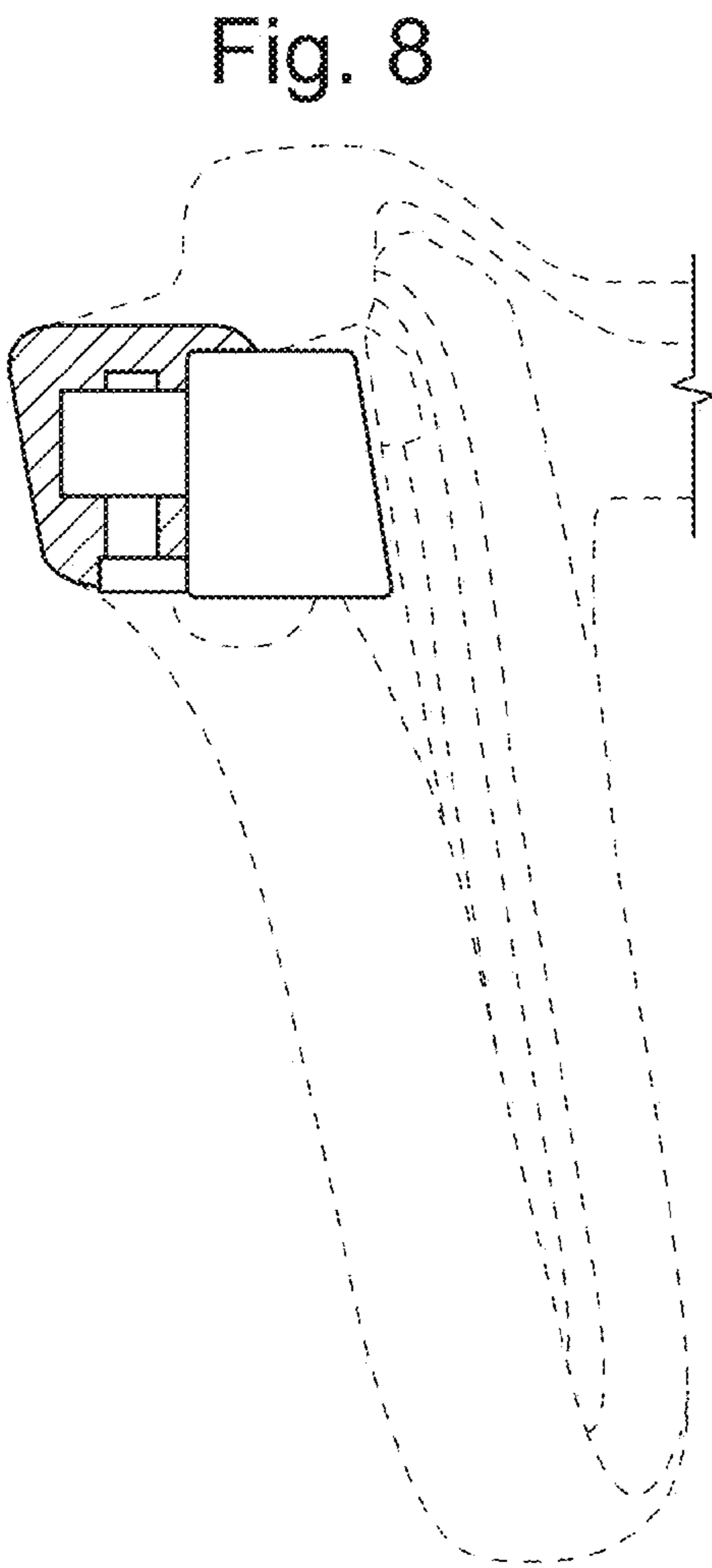


Fig. 8

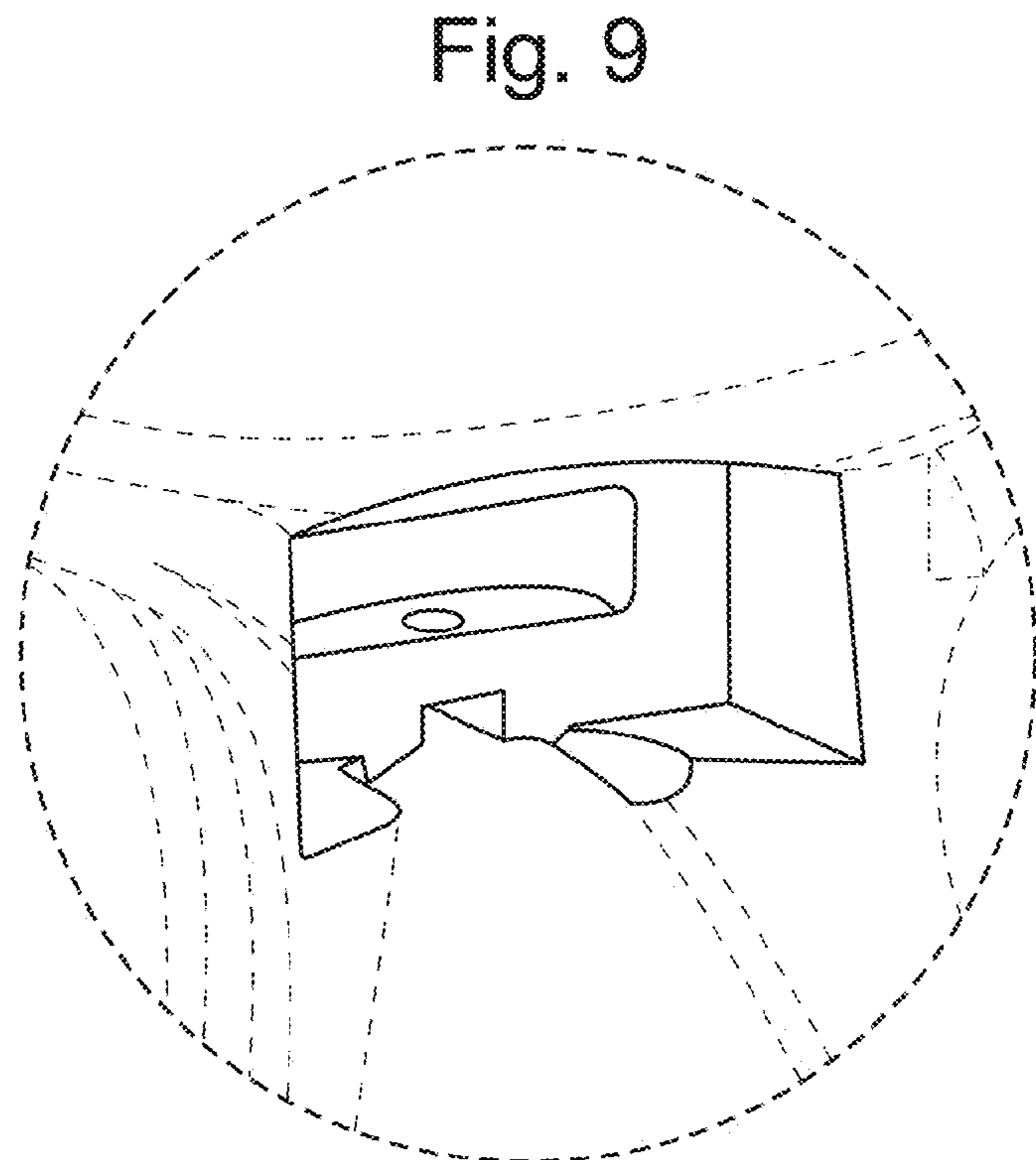


Fig. 9