



US00D909462S

(12) **United States Design Patent** (10) **Patent No.:** **US D909,462 S**
Dominguez et al. (45) **Date of Patent:** **** Feb. 2, 2021**

(54) **VIEWING DEVICE**

- (71) Applicant: **Magic Leap, Inc.**, Plantation, FL (US)
- (72) Inventors: **Daniel Roger Dominguez**, Sunrise, FL (US); **Samantha Jo Gamble**, Plantation, FL (US); **Robert Coleman Skelton**, Oakland Park, FL (US); **Bradley Fraser**, Miami Beach, FL (US); **Masamune Kaji**, Plantation, FL (US)
- (73) Assignee: **Magic Leap, Inc.**, Plantation, FL (US)
- (**) Term: **15 Years**
- (21) Appl. No.: **29/731,630**
- (22) Filed: **Apr. 16, 2020**

Related U.S. Application Data

- (62) Division of application No. 29/636,492, filed on Feb. 8, 2018, now Pat. No. Des. 894,258.
- (51) **LOC (13) Cl.** **16-06**
- (52) **U.S. Cl.**
USPC **D16/326**
- (58) **Field of Classification Search**
USPC D16/300, 315, 326
CPC G02C 2200/08; G02C 7/10
See application file for complete search history.

References Cited

U.S. PATENT DOCUMENTS

D638,462 S	5/2011	Bumgardner et al.	
D640,256 S	6/2011	So	
D836,629 S	12/2018	Maffucci et al.	
D894,258 S *	8/2020	Dominguez	D16/326
2019/0187490 A1	6/2019	Dominguez et al.	

OTHER PUBLICATIONS

Restriction Requirement dated Jul. 10, 2019, Design U.S. Appl. No. 29/636,492, filed Jul. 10, 2019, (6 pages).
 "To the Dismay of Its Audience, Magic Leap Livestream Dodges Key Questions", Magic Leap, posted at roadtovr.com., posting date Jun. 6, 2018, [online], [site visited Jun. 28, 2019]. Available from Internet, URL: [https:// www .roadtovr.com/meet-magic-leap-one-livestream-dodged-questions/](https://www.roadtovr.com/meet-magic-leap-one-livestream-dodged-questions/), Jun. 6, 2018, (6 pages).
 Ashley, James, "Magic Leap One vs. HoloLens V1 Comparison", posted at imaginativeuniversal.com, [site visited Jun. 28, 2019]. Available from Internet, URL: www.imaginativeuniversal.com/blog/2018/10/08/magic-leap-one-vs-hololens-v1-comparison/, Oct. 8, 2018, (13 pages).
 Sun, Leo, "Can Advanced Micro Devices, Inc. Be Saved by Augmented and Virtual Reality?", posted at fool.com, Available from Internet, URL: <https://www.fool.com/investing/general/2015/05/20/can-advanced-micro-devices-inc-be-saved-by-augment.aspx>, May 20, 2010, (8 pages).

* cited by examiner

Primary Examiner — George D. Kirschbaum

Assistant Examiner — Maria J Edwards

(74) *Attorney, Agent, or Firm* — Stephen M. De Klerk

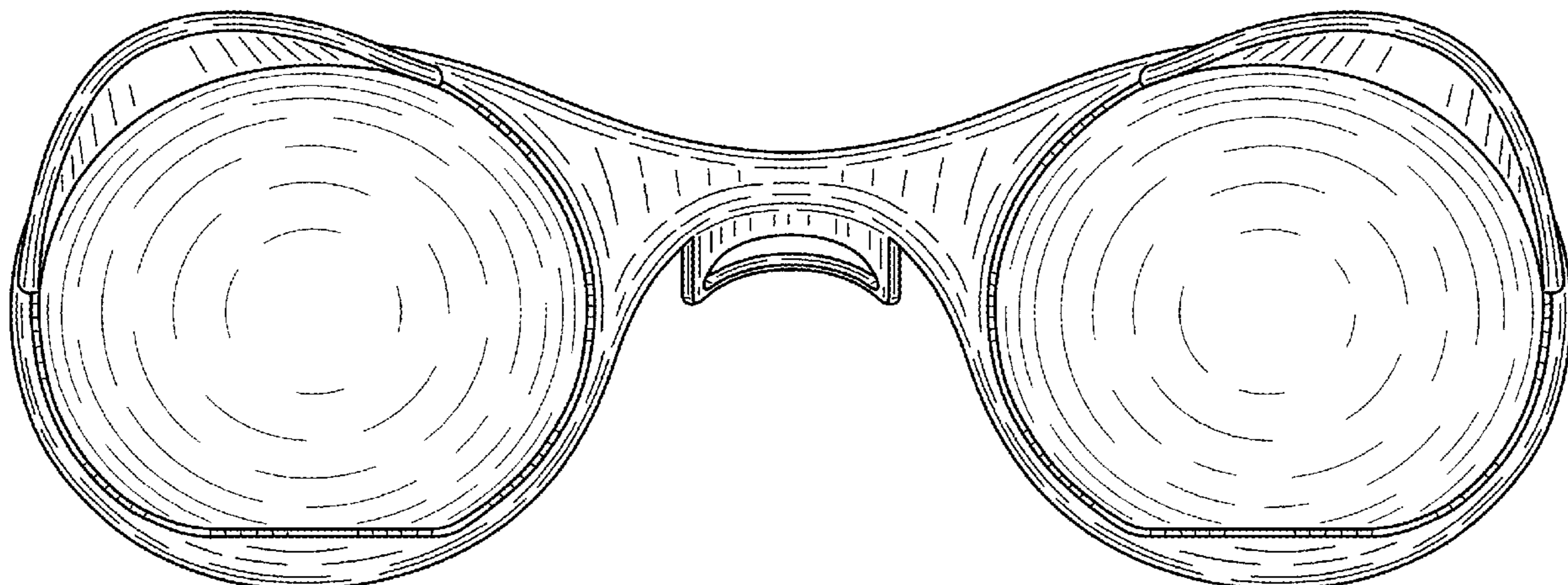
(57) **CLAIM**

The ornamental design of a viewing device, as shown and described.

DESCRIPTION

FIG. 1 is a front view of the viewing device according to our design;
 FIG. 2 is a rear view thereof;
 FIG. 3 is a top plan view thereof;
 FIG. 4 is a bottom view thereof
 FIG. 5 is a right side view thereof; and,
 FIG. 6 is a left side view thereof.

1 Claim, 6 Drawing Sheets



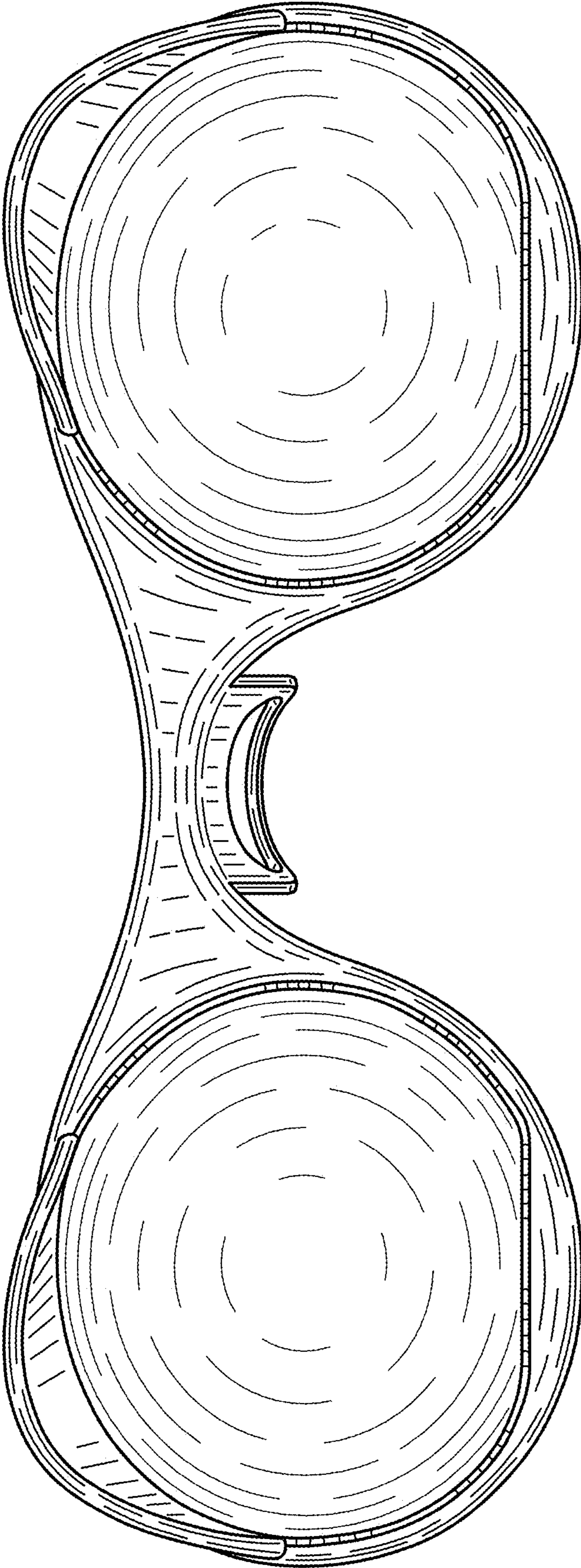


FIG. 1

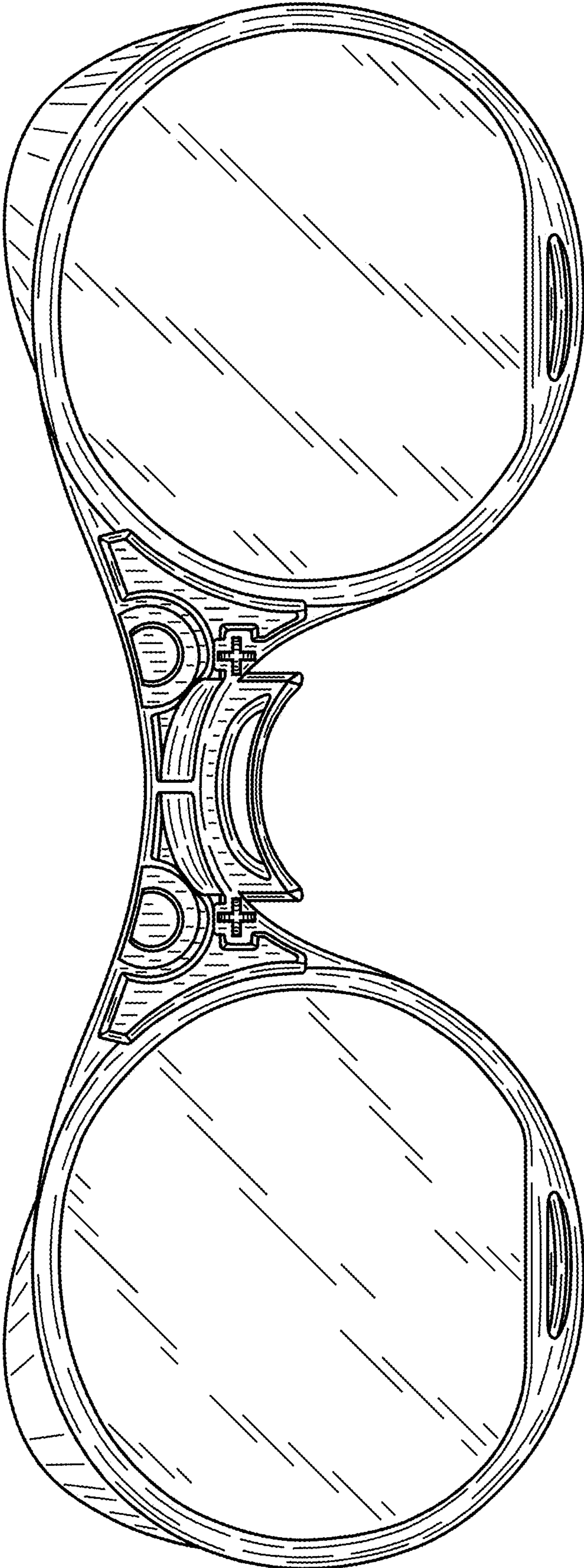


FIG. 2

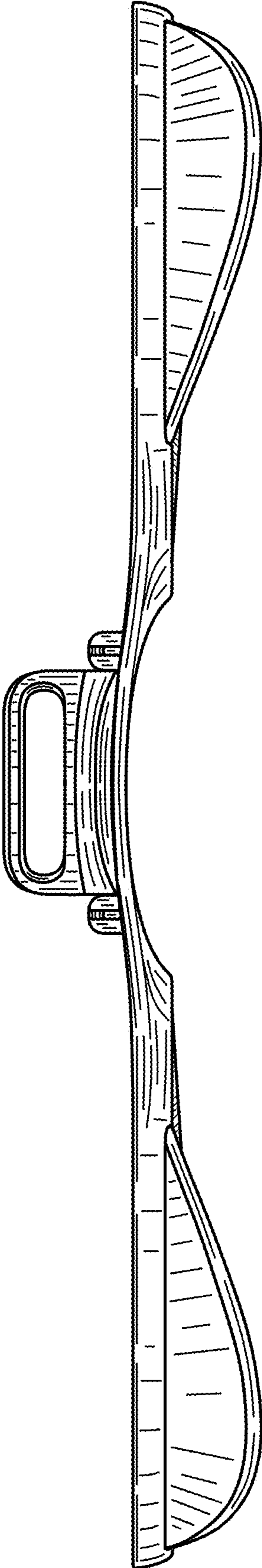


FIG. 3

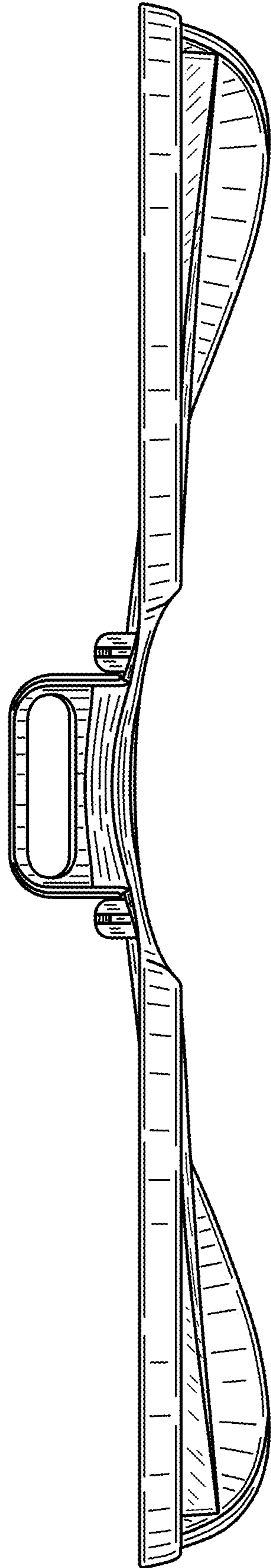


FIG. 4

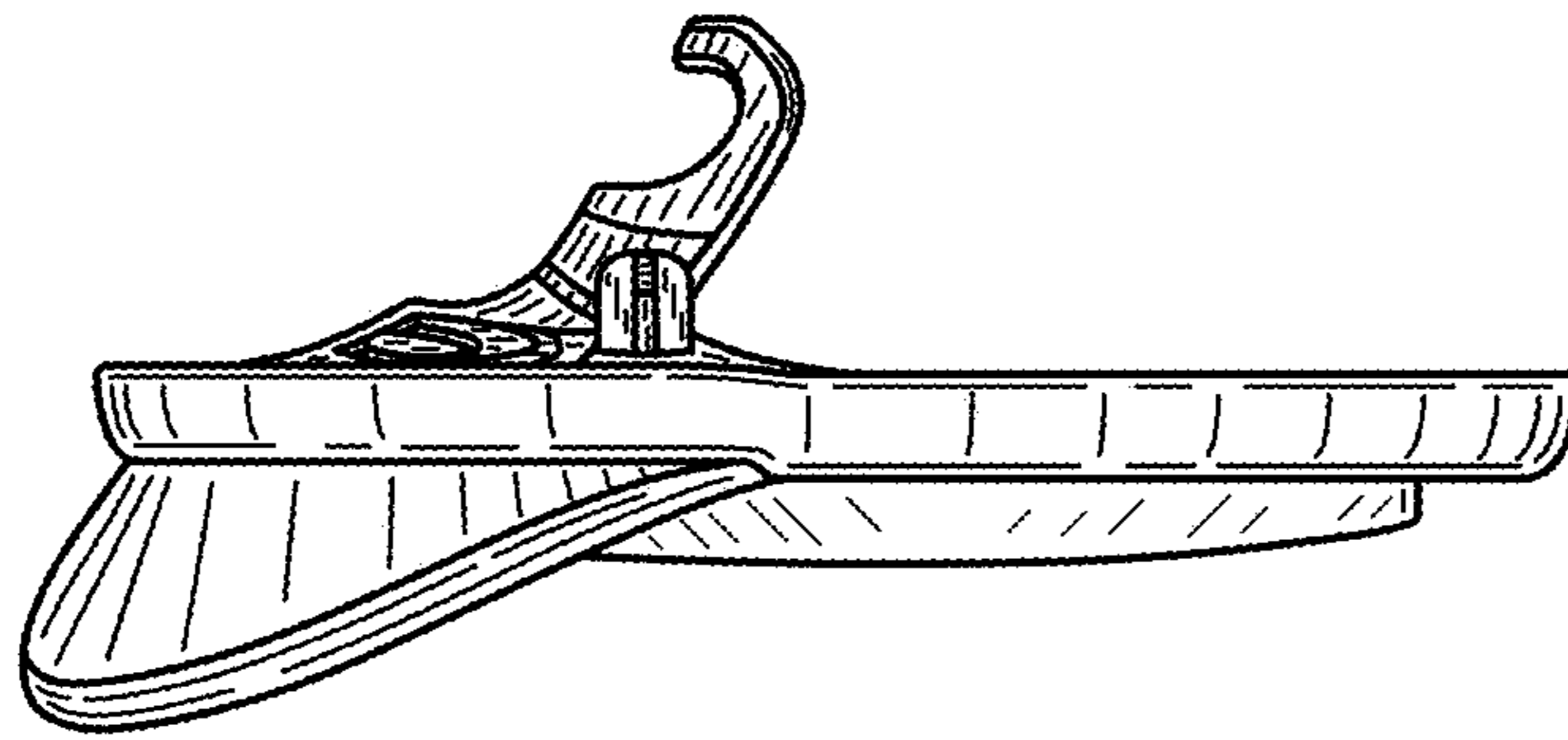


FIG. 5

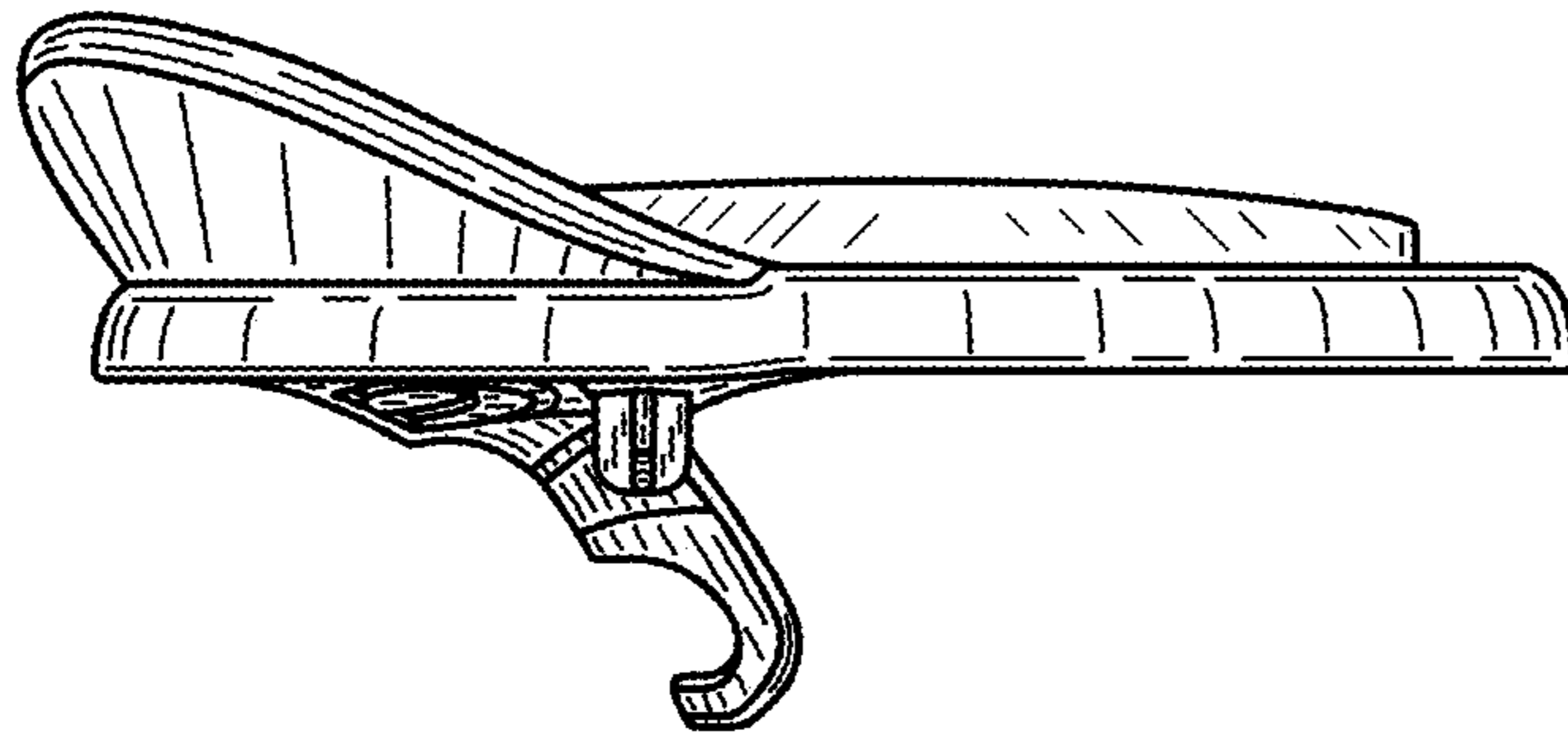


FIG. 6