



US00D909457S

(12) **United States Design Patent** (10) **Patent No.:** **US D909,457 S**
Liang (45) **Date of Patent:** **** Feb. 2, 2021**

(54) **GOGGLES**
(71) Applicant: **Guangzhou Julong Sports Co., Ltd.,**
Guangzhou (CN)
(72) Inventor: **Chuanqing Liang,** Guangzhou (CN)
(**) Term: **15 Years**
(21) Appl. No.: **29/700,268**
(22) Filed: **Aug. 1, 2019**
(51) **LOC (13) Cl.** **16-06**
(52) **U.S. Cl.**
USPC **D16/312**
(58) **Field of Classification Search**
USPC D16/101, 300, 301, 303, 310, 311, 312,
D16/313-316, 319, 320, 325-326, 328,
D16/329, 330, 331, 332, 334, 335, 340,
D16/341, 342; D29/109-110; D14/372;
351/41, 44, 45-48, 51-52, 62, 158, 92,
351/103-123, 140-153, 63, 59
CPC A63B 33/00; A63B 33/002; G02C 1/00;
G02C 1/02; G02C 1/04; G02C 1/06;
G02C 5/02; G02C 5/04; G02C 5/08;
G02C 5/12; G02C 5/22; G02C 9/00;
G02C 9/02; G02C 9/04; G02C 11/00;
G02C 11/02; G02C 2200/00; G02C
2200/02
See application file for complete search history.

D541,328 S * 4/2007 Saderholm D16/312
D542,829 S * 5/2007 Hsu D16/312
D578,562 S * 10/2008 Moritz D16/312
D616,914 S * 6/2010 Moritz D16/312
D629,034 S * 12/2010 McNeal A61F 9/025
D16/312
D629,035 S * 12/2010 Moritz D16/312
D629,442 S * 12/2010 Tominaga D16/312
D640,724 S * 6/2011 Goodman D16/312
(Continued)

FOREIGN PATENT DOCUMENTS

CA 3020818 A1 * 4/2019 G02C 9/04
DE 3815340 A1 * 11/1989 G02C 1/08
(Continued)

Primary Examiner — Sanjeev Paul
(74) Attorney, Agent, or Firm — KA Filing LLC

(57) **CLAIM**

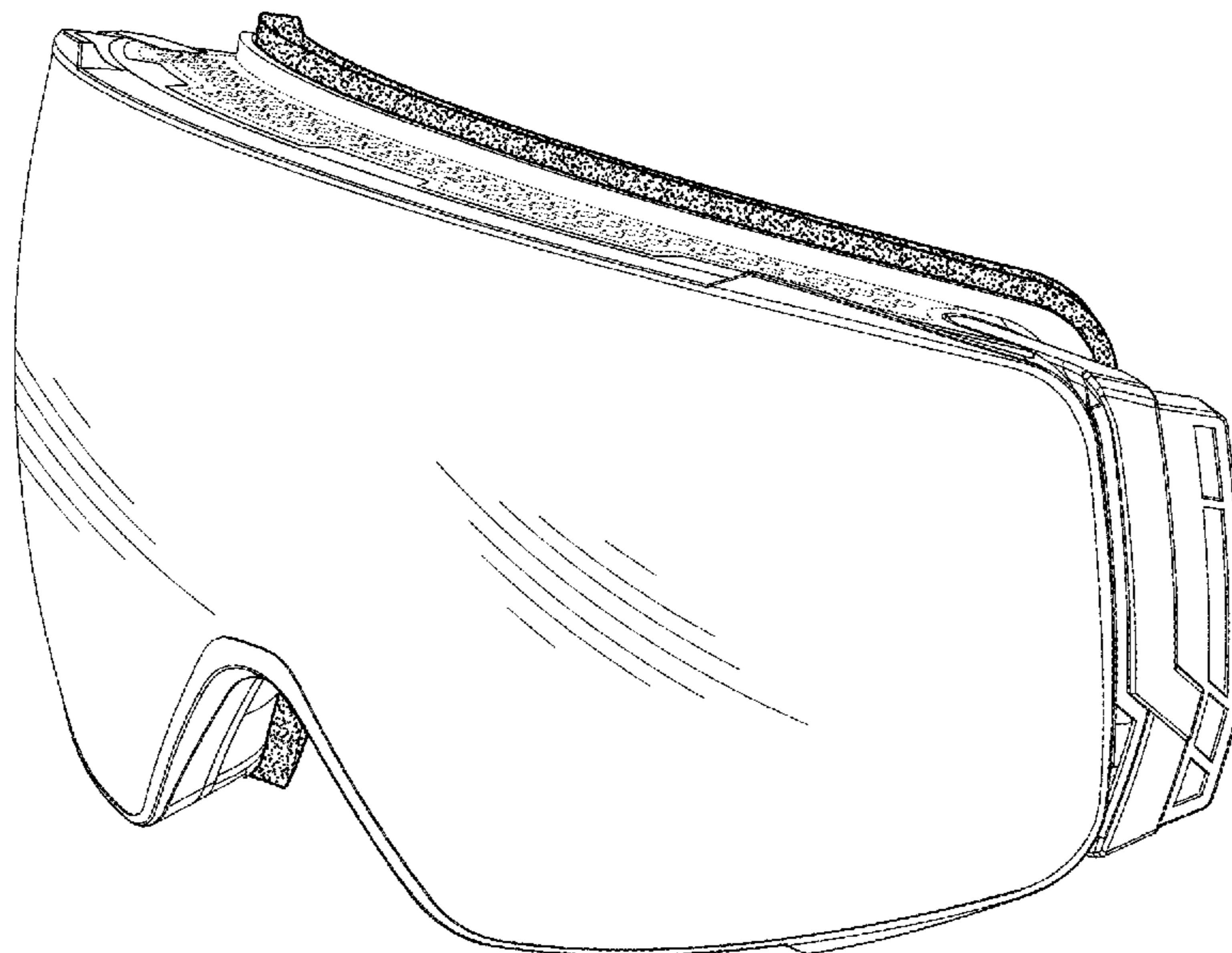
The ornamental design for goggles, as shown and described.

DESCRIPTION

FIG. 1 is a Perspective view of a goggles showing my new design;
FIG. 2 is a Front view of the goggles as shown in FIG. 1;
FIG. 3 is a Back view of the goggles as shown in FIG. 1;
FIG. 4 is a Left-side view of the goggles as shown in FIG. 1;
FIG. 5 is a Right-side view of the goggles as shown in FIG. 1;
FIG. 6 is a Top view of the goggles as shown in FIG. 1; and,
FIG. 7 is a Bottom view of the goggles as shown in FIG. 1.
The broken lines shown in the drawings are used to illustrate environmental subject matter and forms no part of the claimed design.
The stippled shading in the drawings represents a contrast in appearance between stippled and non-stippled areas, not surface ornamentation, and forms no part of the claim.

1 Claim, 4 Drawing Sheets

(56) **References Cited**
U.S. PATENT DOCUMENTS
4,043,637 A * 8/1977 Hovey A61F 9/023
359/241
5,297,298 A * 3/1994 Salatka G02C 1/02
2/447
D439,596 S * 3/2001 Bolle D16/312
D510,378 S * 10/2005 Dondero D16/312
D519,147 S * 4/2006 Moritz D16/312



(56)

References Cited

U.S. PATENT DOCUMENTS

D649,577 S * 11/2011 Goodman D16/312
D653,686 S * 2/2012 Tobia D16/101
D653,695 S * 2/2012 Tobia D16/312
D680,576 S * 4/2013 Chen D16/312
8,893,314 B2 * 11/2014 Chen A61F 9/025
2/426
D740,815 S * 10/2015 Bosveld D14/372
D800,825 S * 10/2017 Frosi D16/313
D829,810 S * 10/2018 Nellestam D16/313
D834,087 S * 11/2018 Yoo D16/313
D837,873 S * 1/2019 Lussier D16/330
D847,248 S * 4/2019 Liang D16/313
D862,570 S * 10/2019 Frosi D16/313
D868,878 S * 12/2019 Langenwalter D16/312
D872,168 S * 1/2020 Zhang D16/312
D872,169 S * 1/2020 Yong D16/312
D874,459 S * 2/2020 Limaye D14/372
D880,574 S * 4/2020 Liang D16/312
D885,385 S * 5/2020 Jiang D14/372

FOREIGN PATENT DOCUMENTS

EM 004536100-0001 * 12/2017
EM 006852752-0001 * 9/2019

* cited by examiner

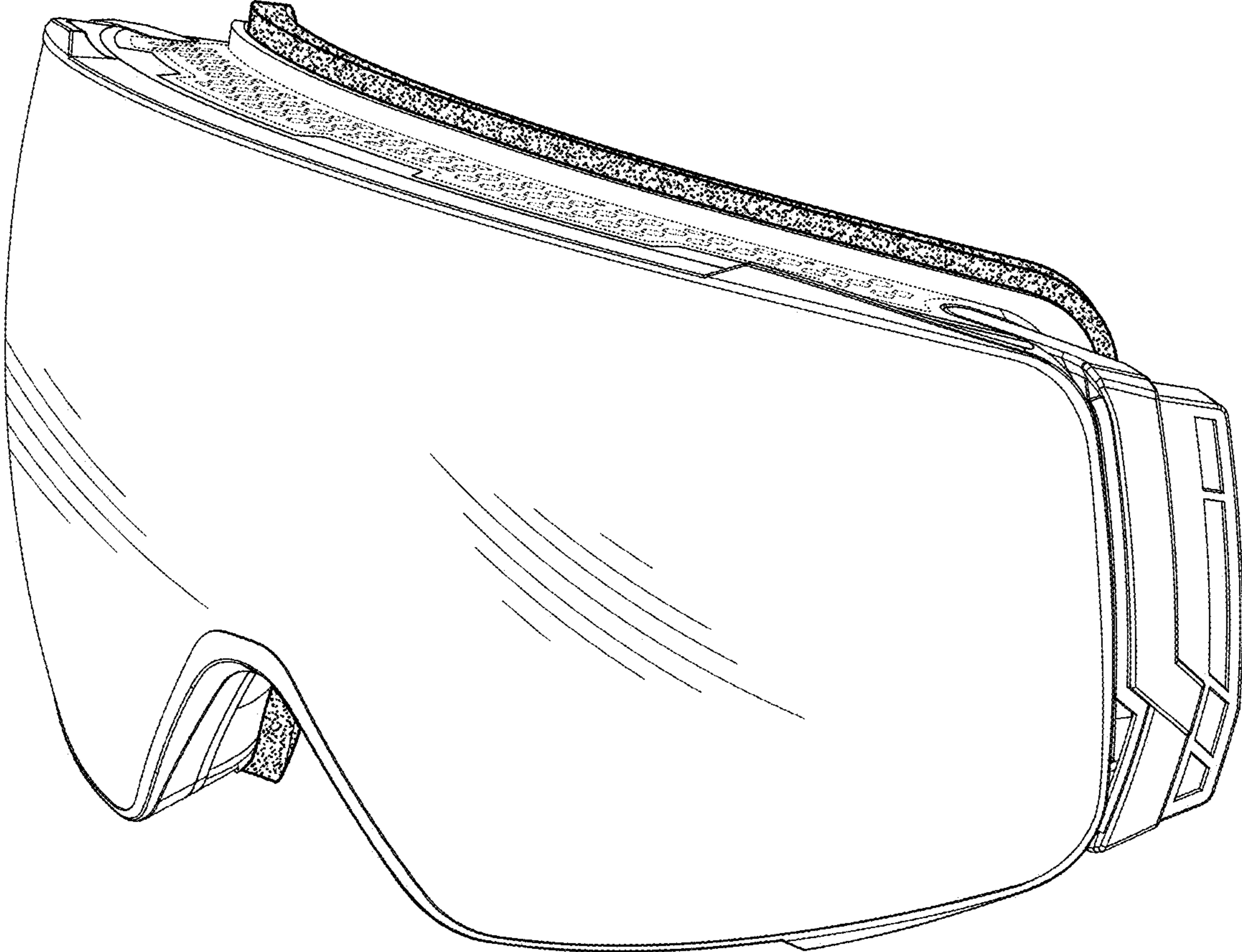


FIG. 1

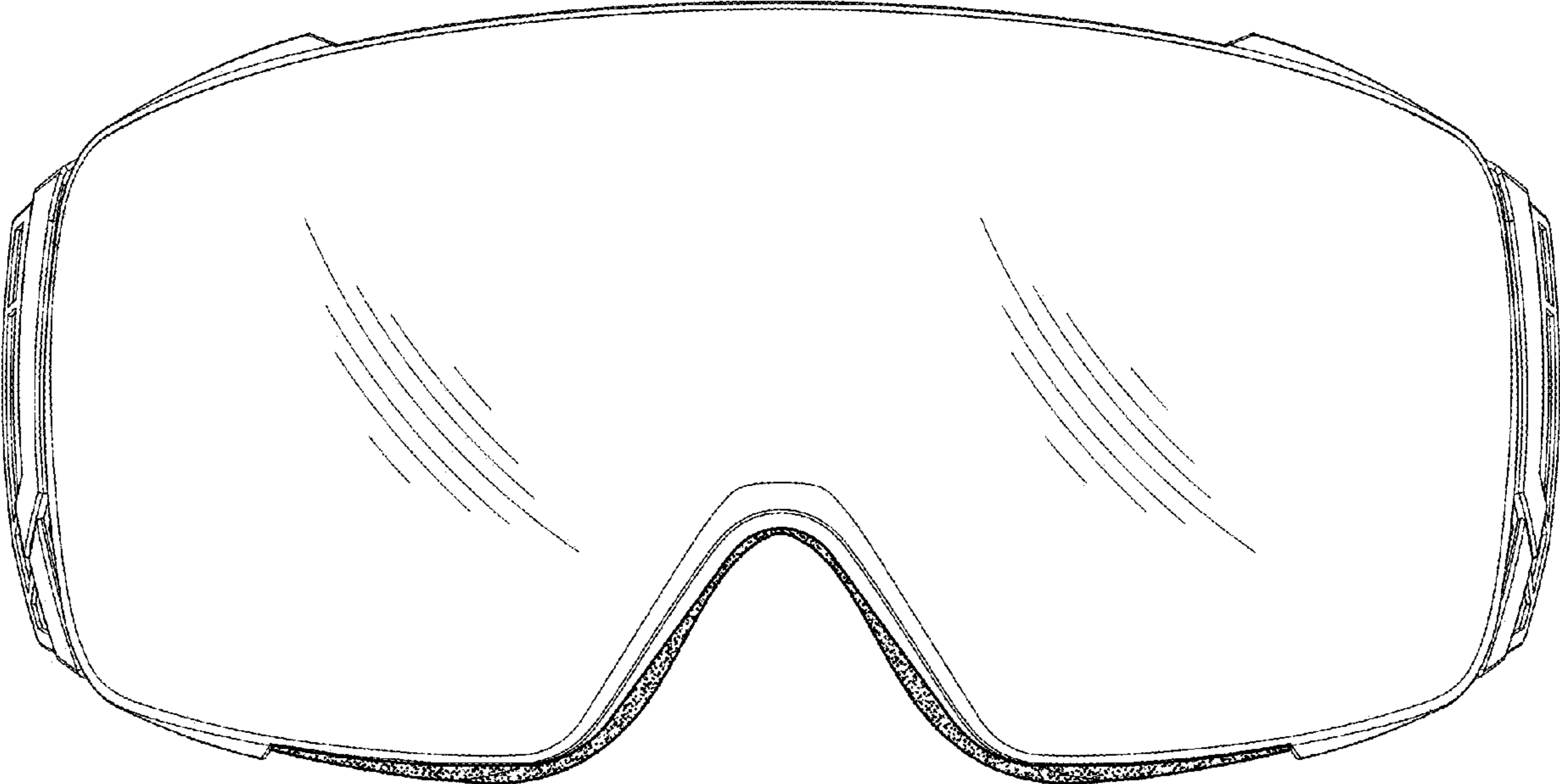


FIG. 2

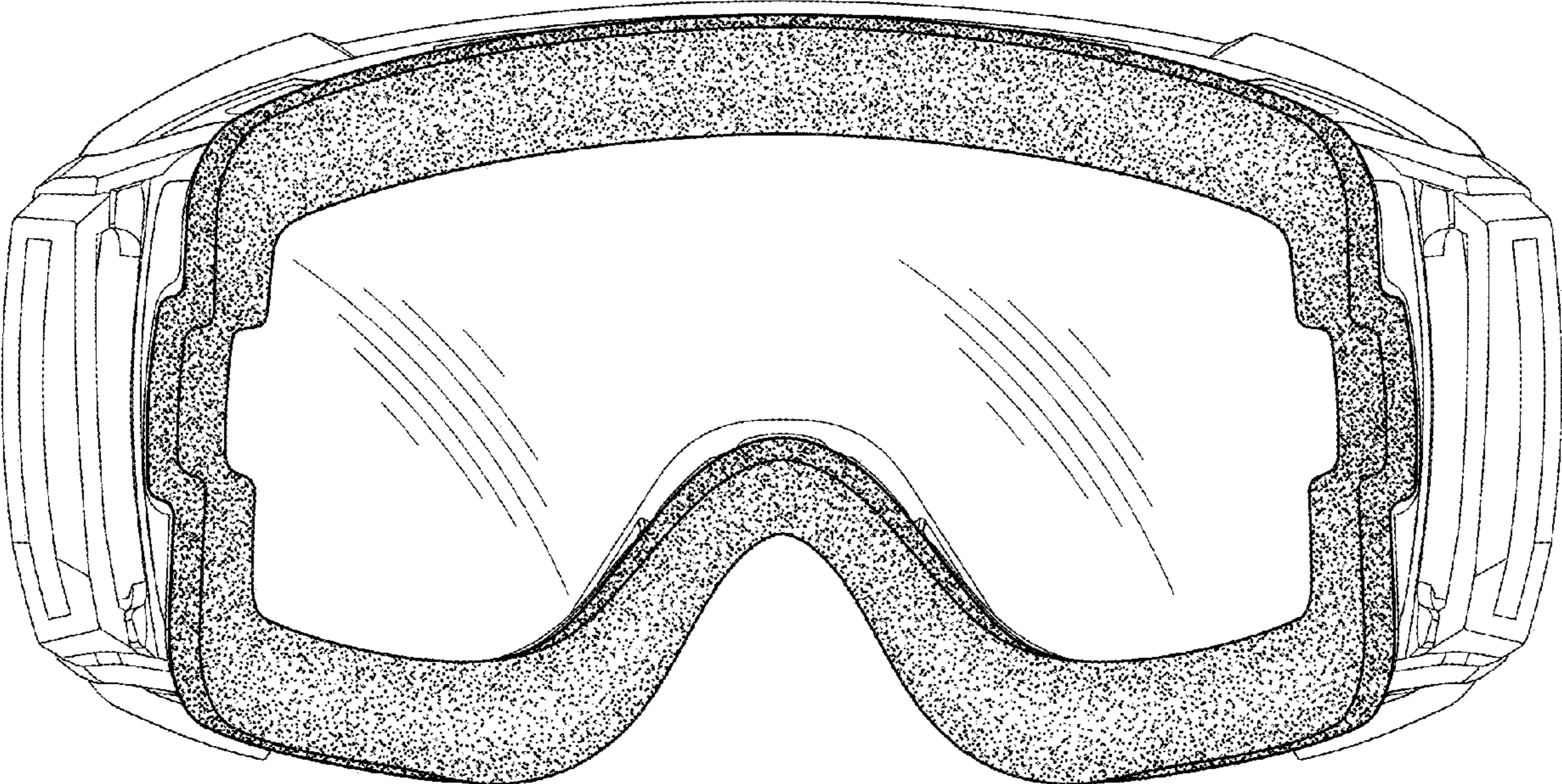


FIG. 3

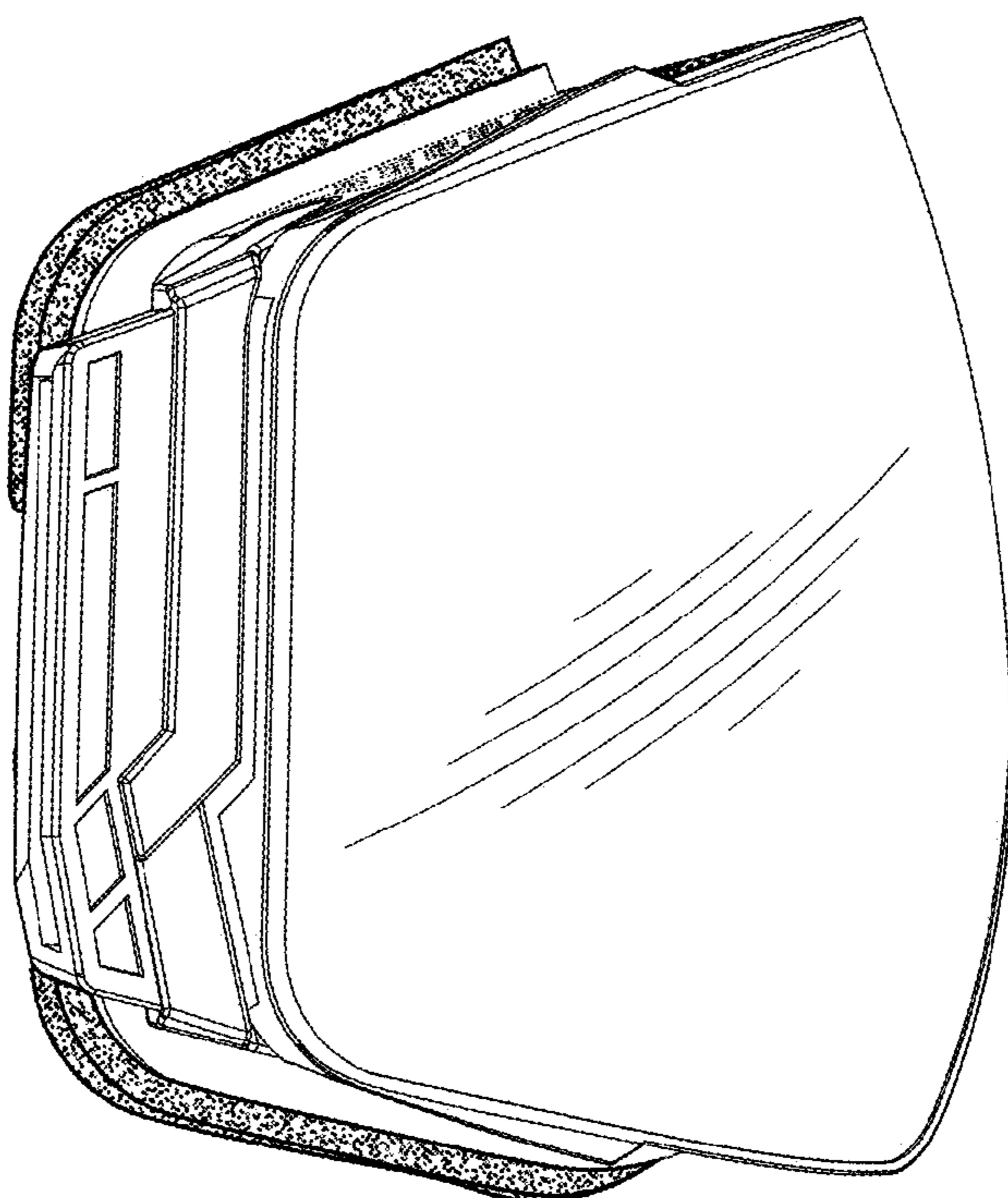


FIG. 4

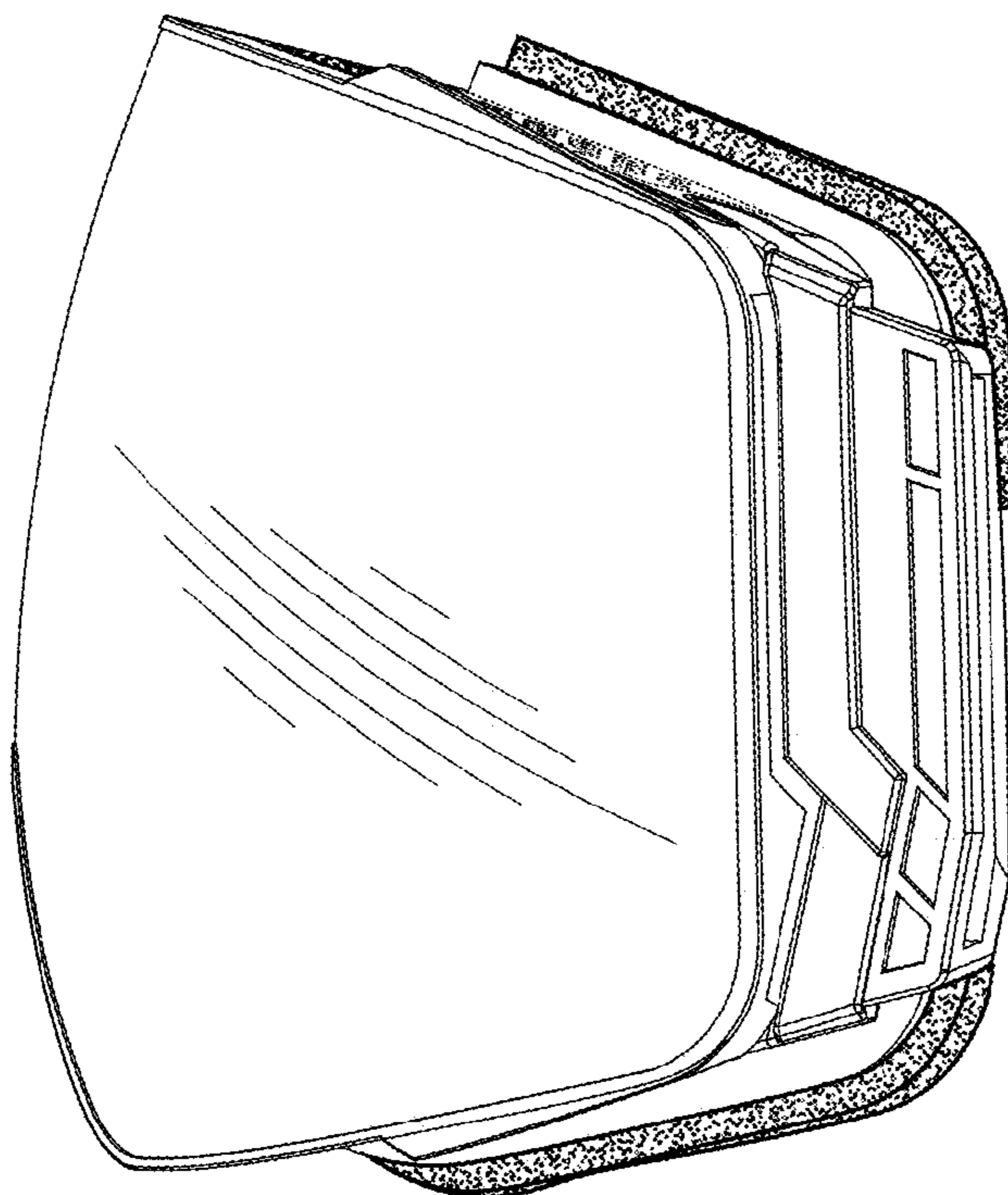


FIG. 5

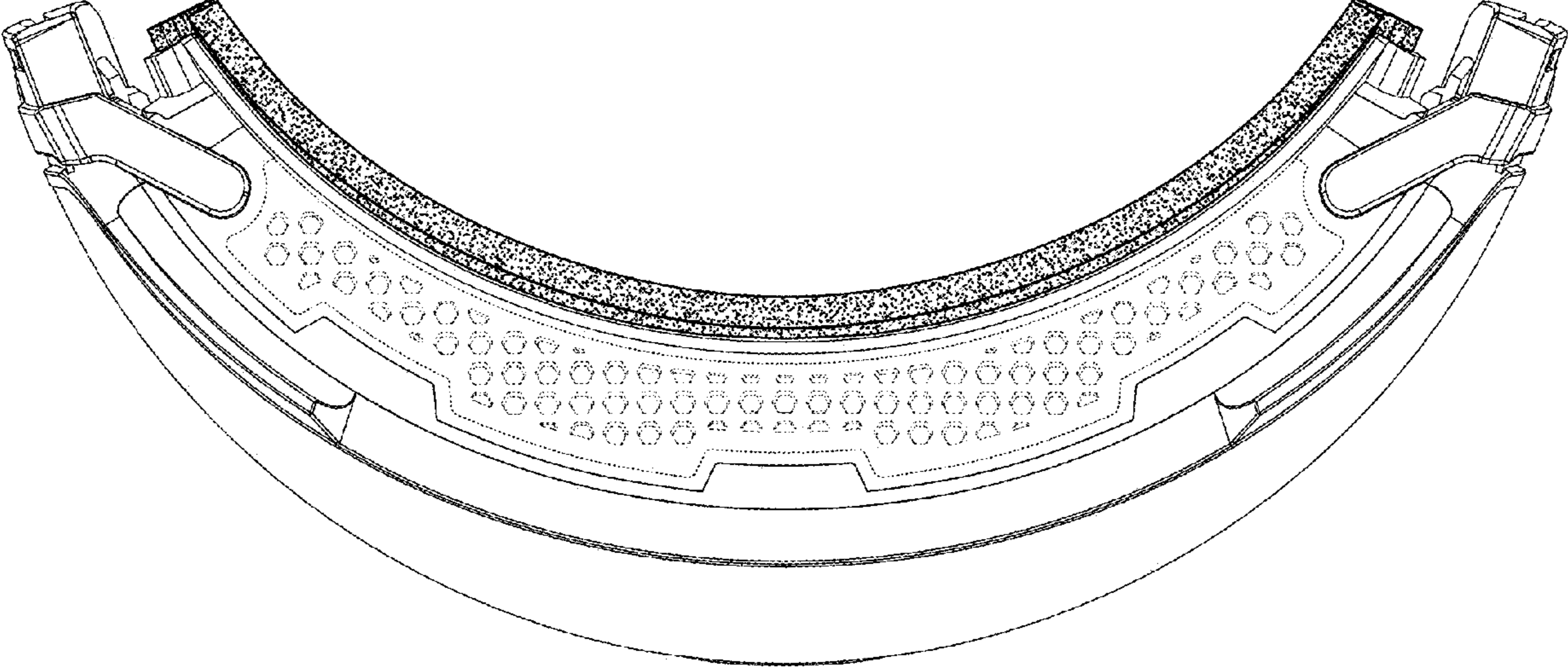


FIG. 6

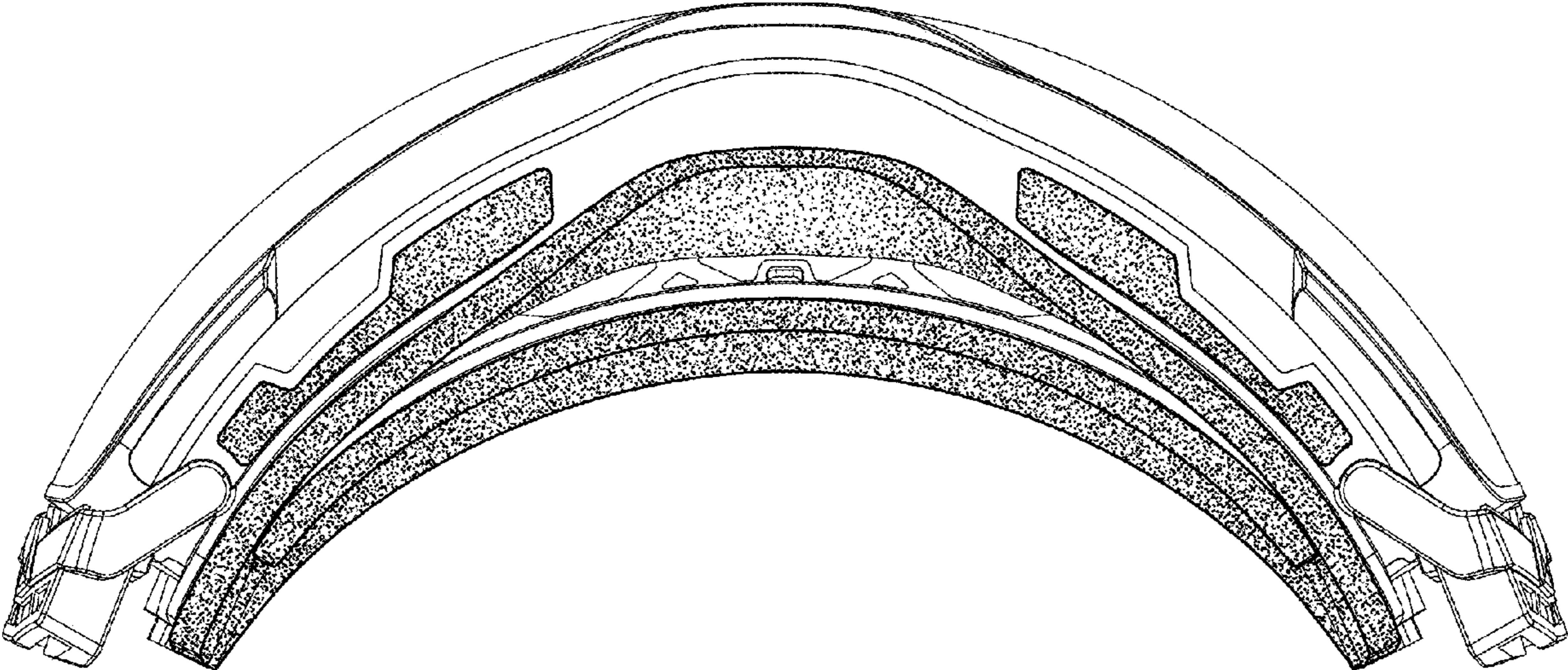


FIG. 7