



US00D909456S

(12) **United States Design Patent** (10) **Patent No.:** **US D909,456 S**
Xiao (45) **Date of Patent:** **** Feb. 2, 2021**

(54) **TRIPOD**
(71) Applicant: **Lulin Xiao**, Linxiang (CN)
(72) Inventor: **Lulin Xiao**, Linxiang (CN)
(**) Term: **15 Years**
(21) Appl. No.: **29/736,898**
(22) Filed: **Jun. 3, 2020**

(51) **LOC (13) Cl.** **16-05**
(52) **U.S. Cl.**
USPC **D16/244**
(58) **Field of Classification Search**
USPC D16/219, 242–245; D14/251, 253
CPC G03B 17/56; G03B 17/561–566; A45F
2200/0508–0533
See application file for complete search history.

(56) **References Cited**

U.S. PATENT DOCUMENTS

2,845,244	A *	7/1958	Prokop	F16M 11/18 248/171
D268,458	S *	4/1983	Schoenig	D16/244
D269,880	S *	7/1983	Iwasaki	D16/244
4,697,772	A *	10/1987	Kosugi	F16M 11/105 248/183.3
D299,244	S *	1/1989	Jones	D16/244
4,988,064	A *	1/1991	Hoshino	F16M 11/2057 248/170
5,062,606	A *	11/1991	Hoshino	F16M 11/28 248/171
D326,105	S	5/1992	Doi		
D333,479	S *	2/1993	Chun-Mao	D16/244
5,934,628	A *	8/1999	Bosnakovic	B60Q 7/00 248/169
D421,447	S	3/2000	Eason et al.		
D450,339	S	11/2001	Eason		
D552,660	S	10/2007	Lee		
D570,618	S *	6/2008	Tai	D14/229
D623,331	S *	9/2010	Rotwitt	D26/63

D632,720	S	2/2011	Barker		
D657,977	S	4/2012	Belitz		
D673,204	S	12/2012	Bae et al.		
D704,486	S *	5/2014	Cho	D6/708.25
D720,384	S	12/2014	Holmen		
D802,578	S	11/2017	Somoano		
D821,483	S *	6/2018	Vitale	D16/244
D853,613	S *	7/2019	Lien	D26/63
D857,085	S *	8/2019	Yamaguchi	D16/244
D860,298	S	9/2019	Balmer		
D860,299	S	9/2019	Li et al.		

(Continued)

OTHER PUBLICATIONS

Professional tripod For iPhone 7 6 8 Plus X Universal Portable Digital Camera Camcorder Tripod Stand Lightweight Stainless Steel. [online] Retrieved Sep. 30, 2020 from URL: https://www.aliexpress.com/i/32835970445.html?spm=2114.12057483.0.0.8fa112a78bwYaY.*

(Continued)

Primary Examiner — Vy N Koenig
(74) *Attorney, Agent, or Firm* — Law Offices of Steven W. Weinrieb

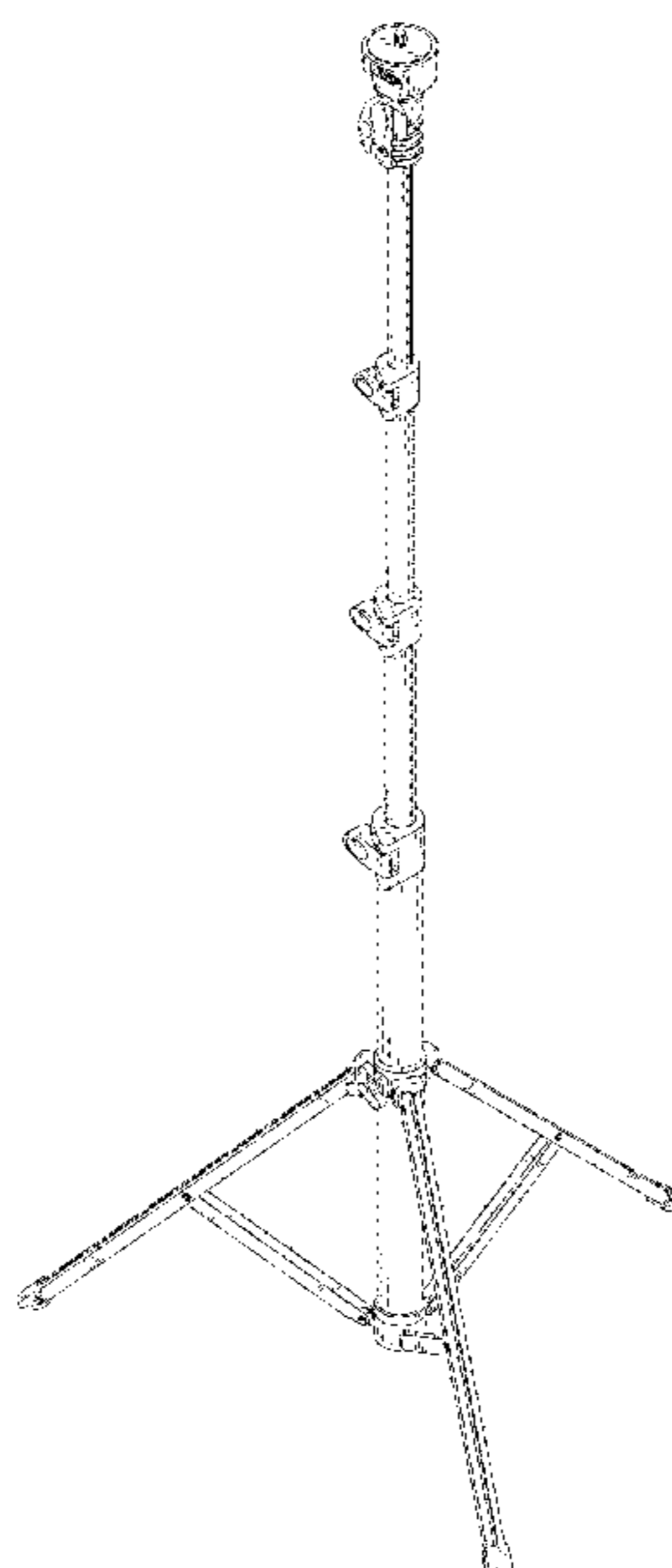
(57) **CLAIM**

The ornamental design for a tripod, as shown and described.

DESCRIPTION

FIG. 1 is a front, right side, top perspective view of a tripod showing my new design;
FIG. 2 is a rear, left side, bottom perspective view thereof;
FIG. 3 is a front elevational view thereof;
FIG. 4 is a rear elevational view thereof;
FIG. 5 is a left side elevational view thereof;
FIG. 6 is a right side elevational view thereof;
FIG. 7 is a top plan view thereof; and,
FIG. 8 is a bottom plan view thereof.

1 Claim, 8 Drawing Sheets



(56)

References Cited

U.S. PATENT DOCUMENTS

D864,282	S	10/2019	Liu	
D868,142	S	11/2019	Li	
D880,048	S *	3/2020	Zhu D26/106
D881,980	S *	4/2020	Zhu D16/237
10,612,720	B2 *	4/2020	Lin G03B 17/561
D888,814	S *	6/2020	Chen D16/244
D895,716	S *	9/2020	Chen D16/244

OTHER PUBLICATIONS

Impact Light Stand, Black (6'). [online] Retrieved Sep. 30, 2020
from URL: https://www.bhphotovideo.com/c/product/262758-REG/Impact_LS_6B_Light_Stand_Black.html/?ap=y&ap=y&smp=y&smp=y&lsft=BI%3A514&gclid=CjwKCAjw2dD7BRASEiwAWCtCb5YljgNTel1MzlEBO2_QMRJGWP6rhBBL_Z-At5BbMTtePaFtzzmxLRoCT9UQAvD_BwE.*

* cited by examiner

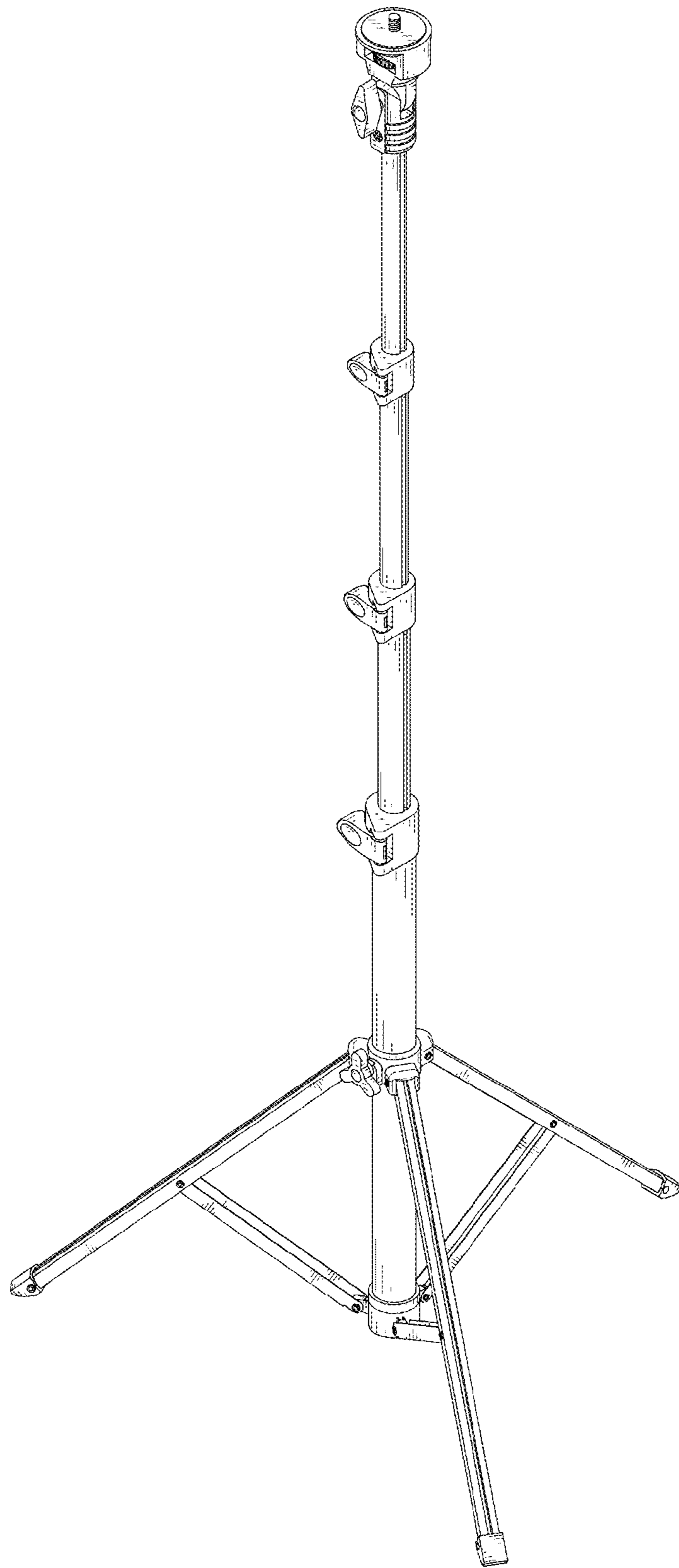


FIG. 1

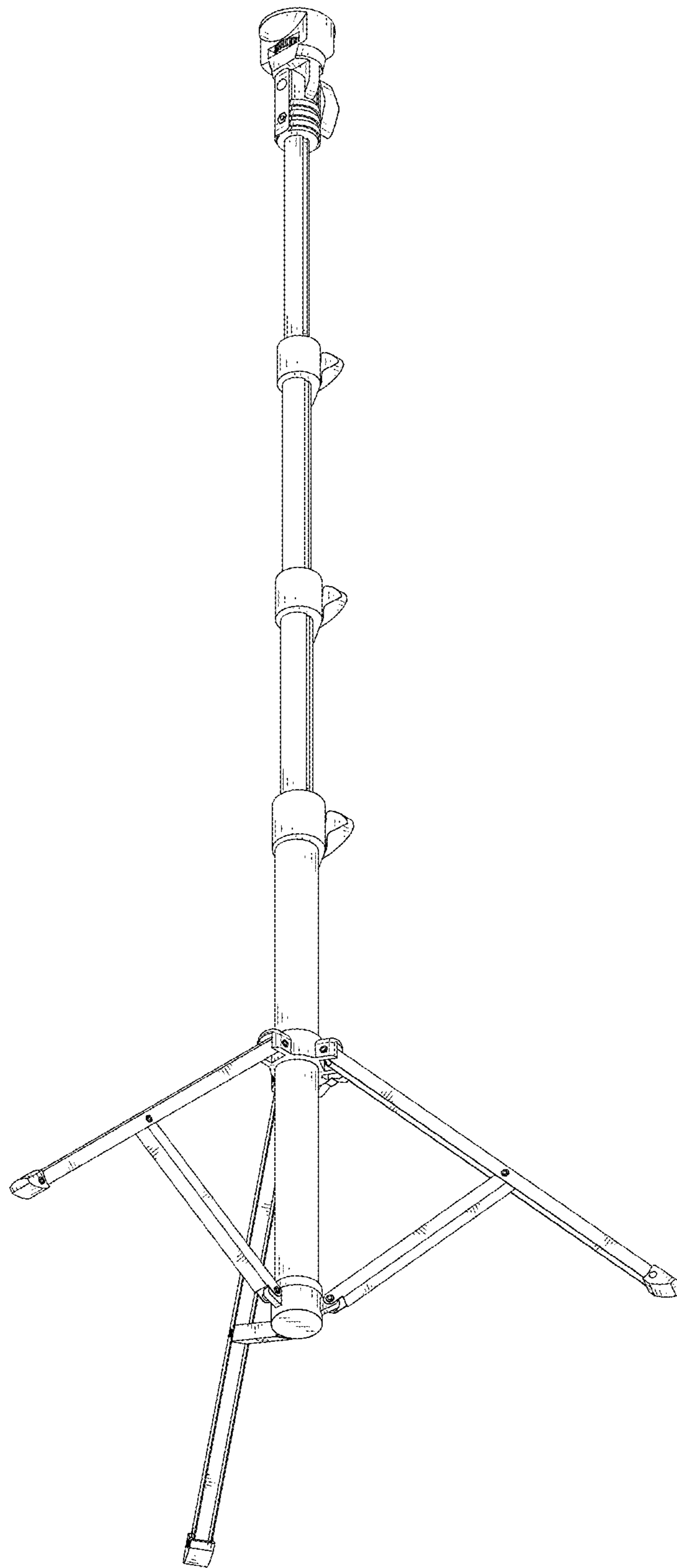


FIG. 2

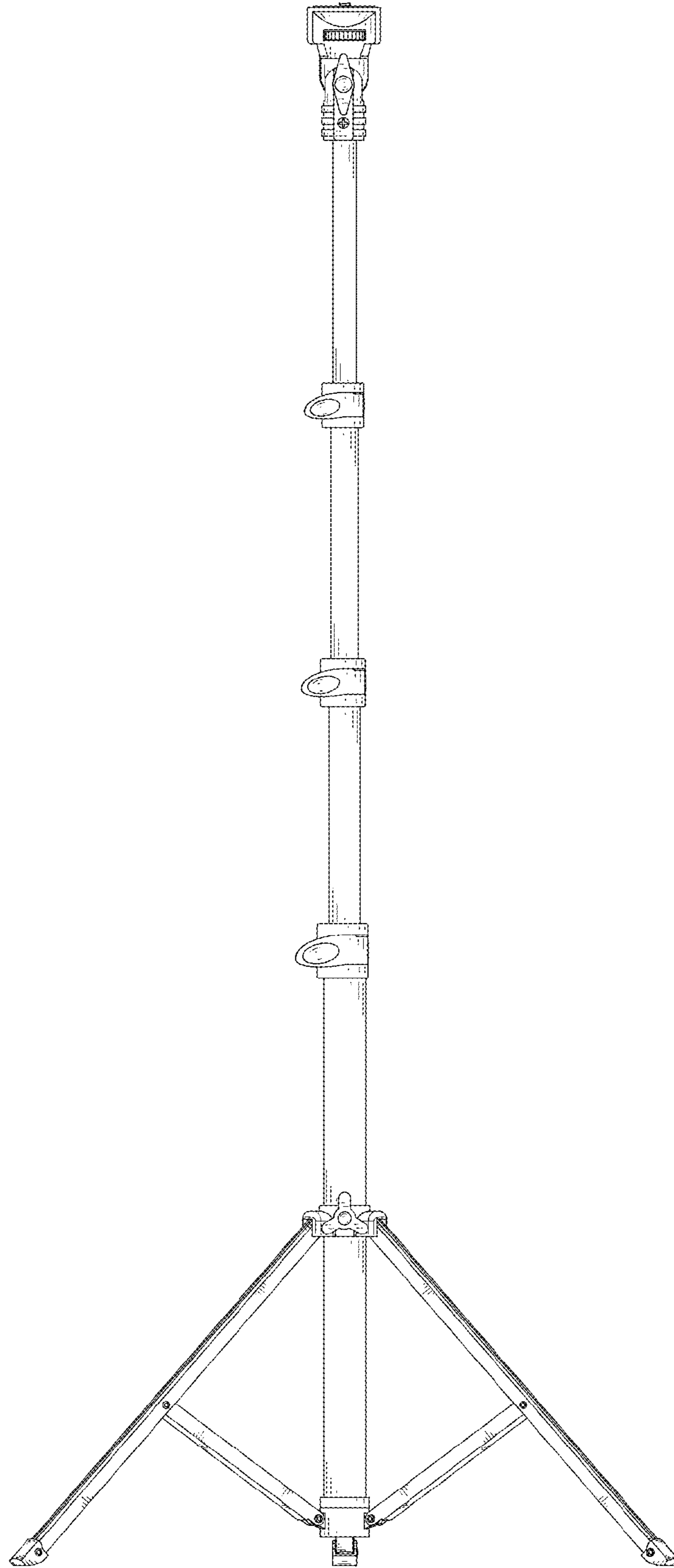


FIG. 3

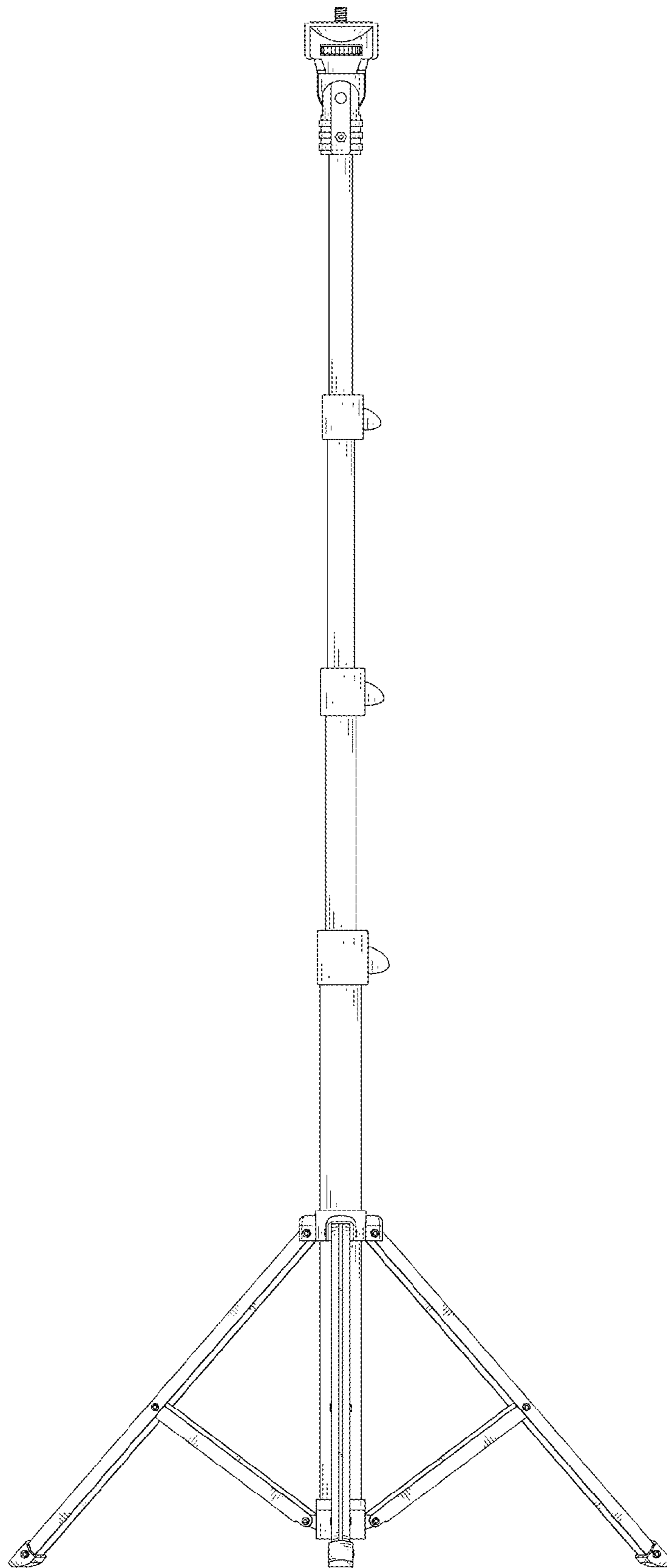


FIG. 4

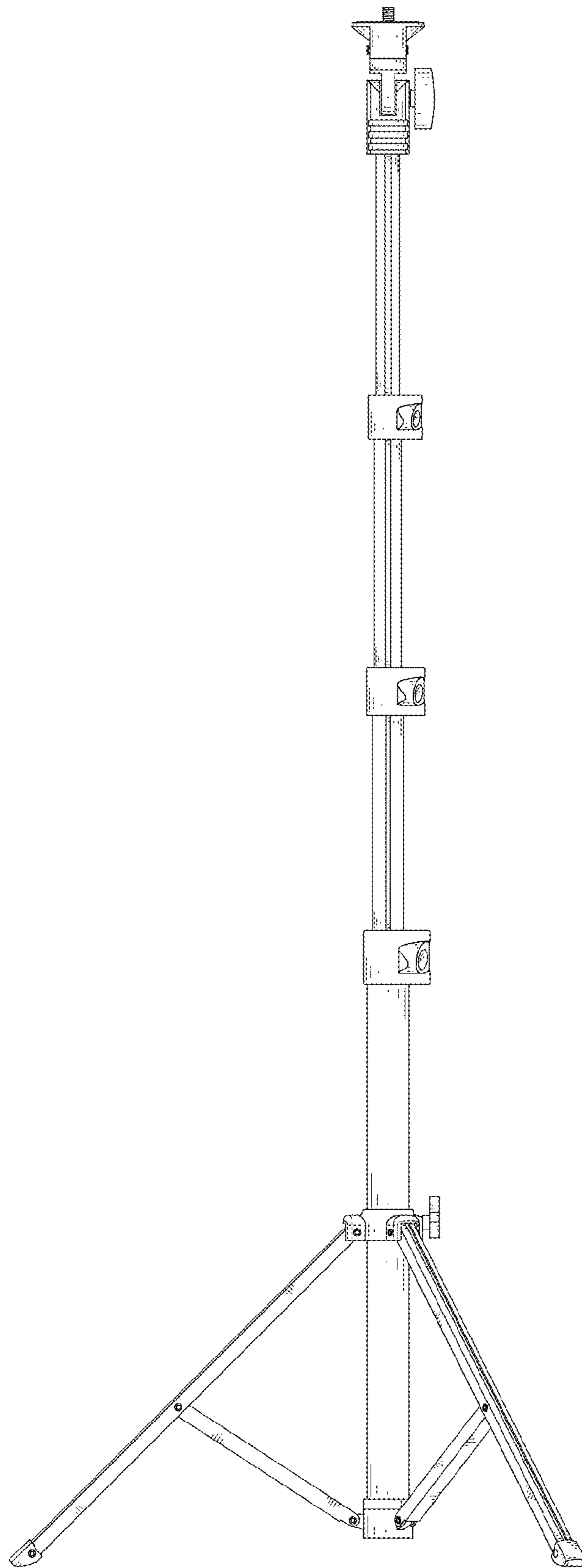


FIG. 5

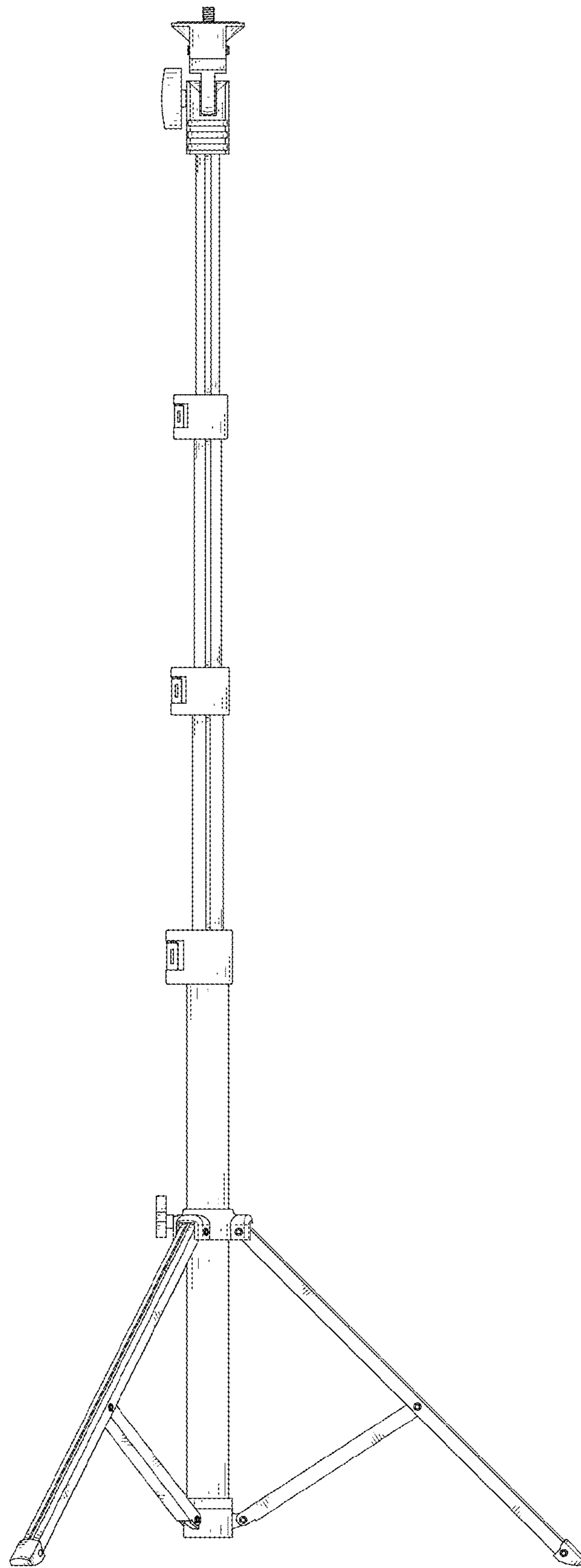


FIG. 6

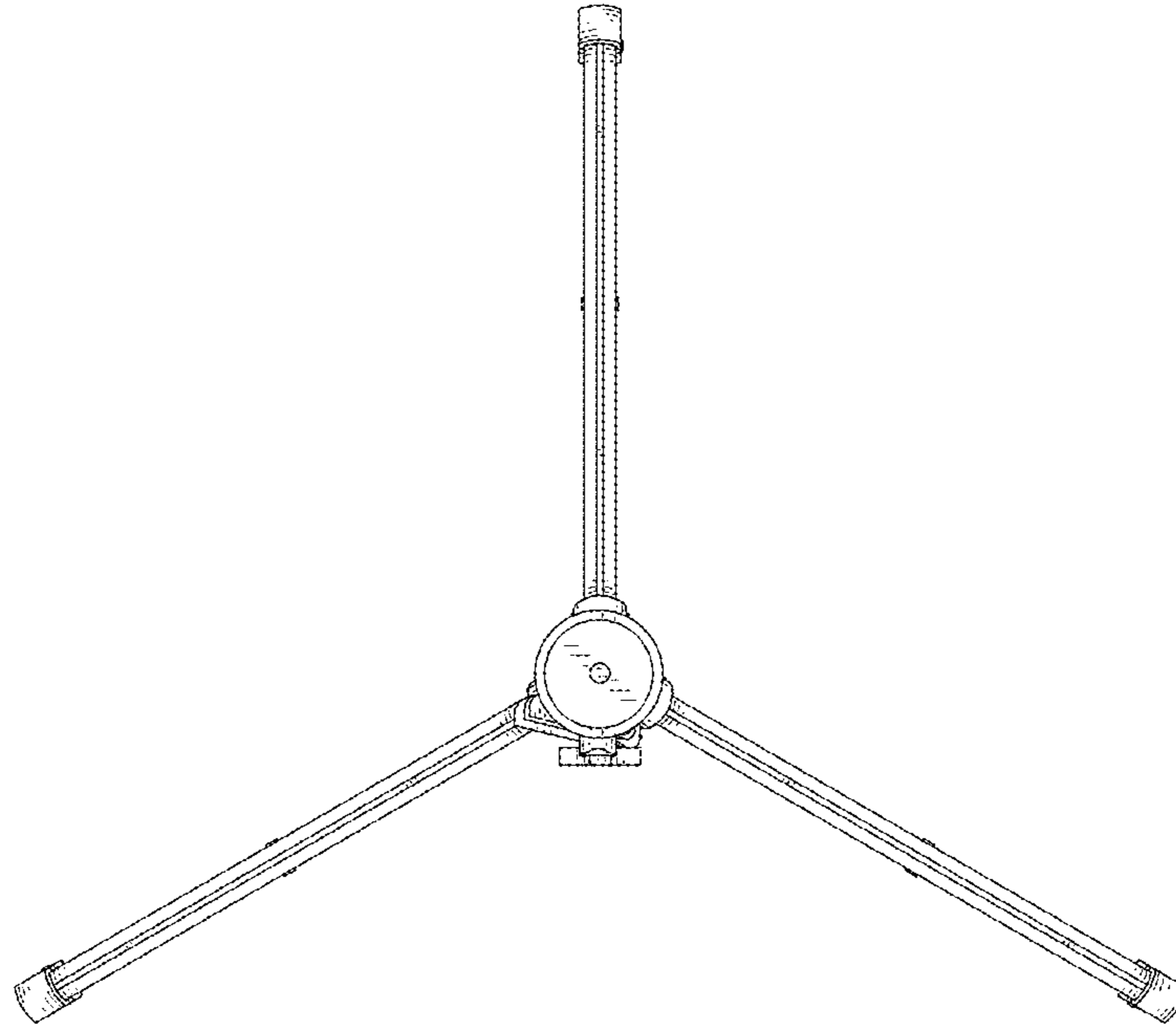


FIG. 7

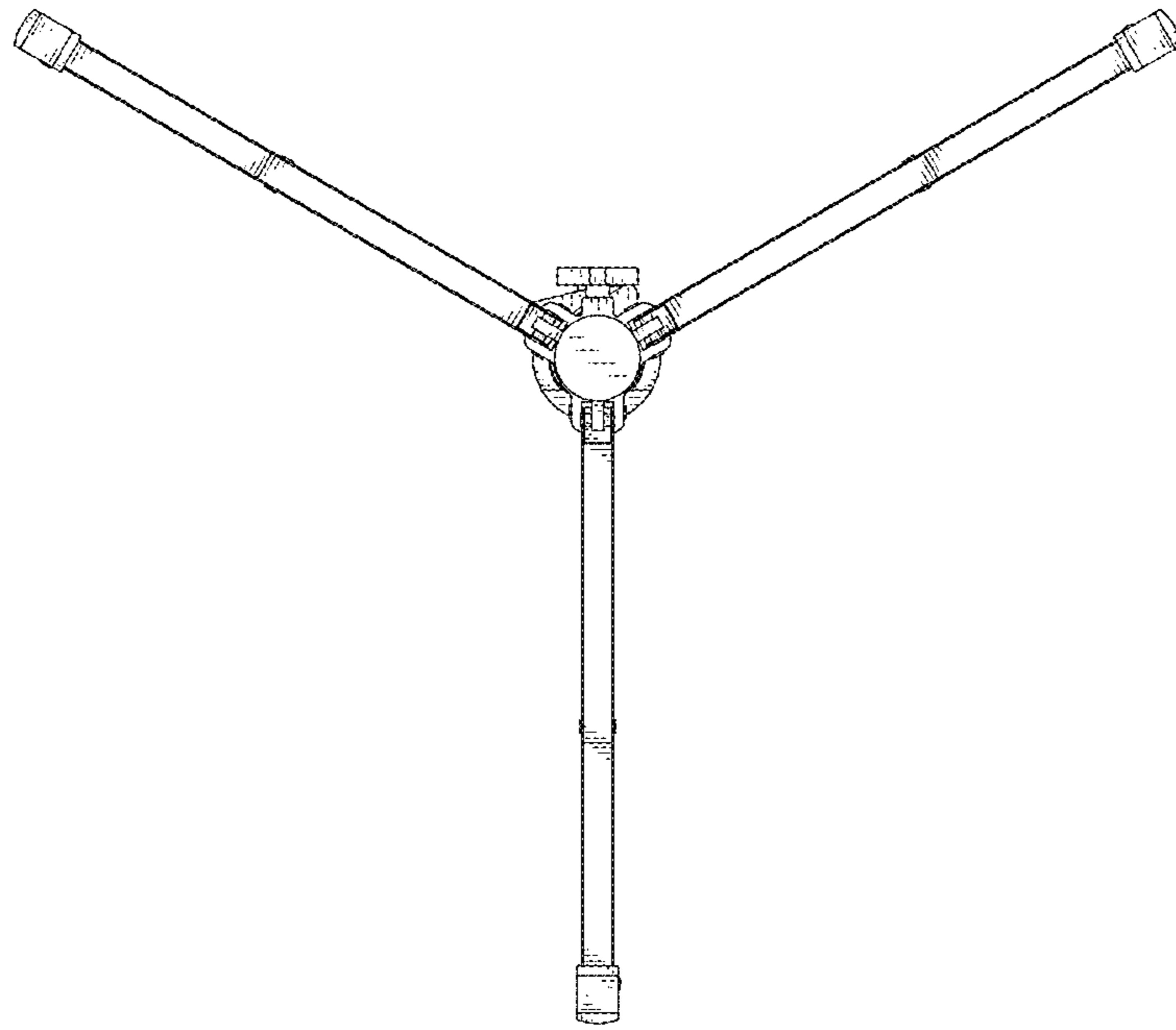


FIG. 8