



US00D909455S

(12) **United States Design Patent**  
**Shan et al.**

(10) **Patent No.:** **US D909,455 S**

(45) **Date of Patent:** **\*\* Feb. 2, 2021**

(54) **CAMERA STABILIZER**

(71) Applicants: **Jinghua Shan**, Shenzhen (CN); **Yi Bing Peng**, Shenzhen (CN)

(72) Inventors: **Jinghua Shan**, Shenzhen (CN); **Yi Bing Peng**, Shenzhen (CN)

(\*\*) Term: **15 Years**

(21) Appl. No.: **29/695,383**

(22) Filed: **Jun. 19, 2019**

(51) **LOC (13) Cl.** ..... **16-05**

(52) **U.S. Cl.**  
USPC ..... **D16/243; D16/244**

(58) **Field of Classification Search**  
USPC ..... D16/219, 237–250; D14/224, 229, 238, D14/251, 253, 447, 451, 457  
CPC ..... G03B 17/56; G03B 17/561–566  
See application file for complete search history.

(56) **References Cited**

**U.S. PATENT DOCUMENTS**

D784,997 S *	4/2017	Cheng	.....	D14/447
D796,482 S *	9/2017	Zheng	.....	D14/217
D863,411 S *	10/2019	Liao	.....	D16/243
D866,647 S *	11/2019	Kim	.....	D16/243
D882,672 S *	4/2020	Xia	.....	D16/243
2017/0037995 A1 *	2/2017	Pan	.....	G03B 17/561
2017/0241589 A1 *	8/2017	Wang	.....	F16M 11/2071
2017/0307136 A1 *	10/2017	Wei	.....	F16M 13/04
2018/0031951 A1 *	2/2018	Wang	.....	F16M 11/123
2018/0066792 A1 *	3/2018	Chen	.....	F16M 13/00

**OTHER PUBLICATIONS**

Handheld Gimbal Stabilizer Tripod Selfie Stick Handle Remote Holder—Black. [online] Retrieved Sep. 11, 2020 from URL: [https://www.gearbest.com/gimbal/pp\\_009617692411.html](https://www.gearbest.com/gimbal/pp_009617692411.html).\*

\* cited by examiner

*Primary Examiner* — Vy N Koenig

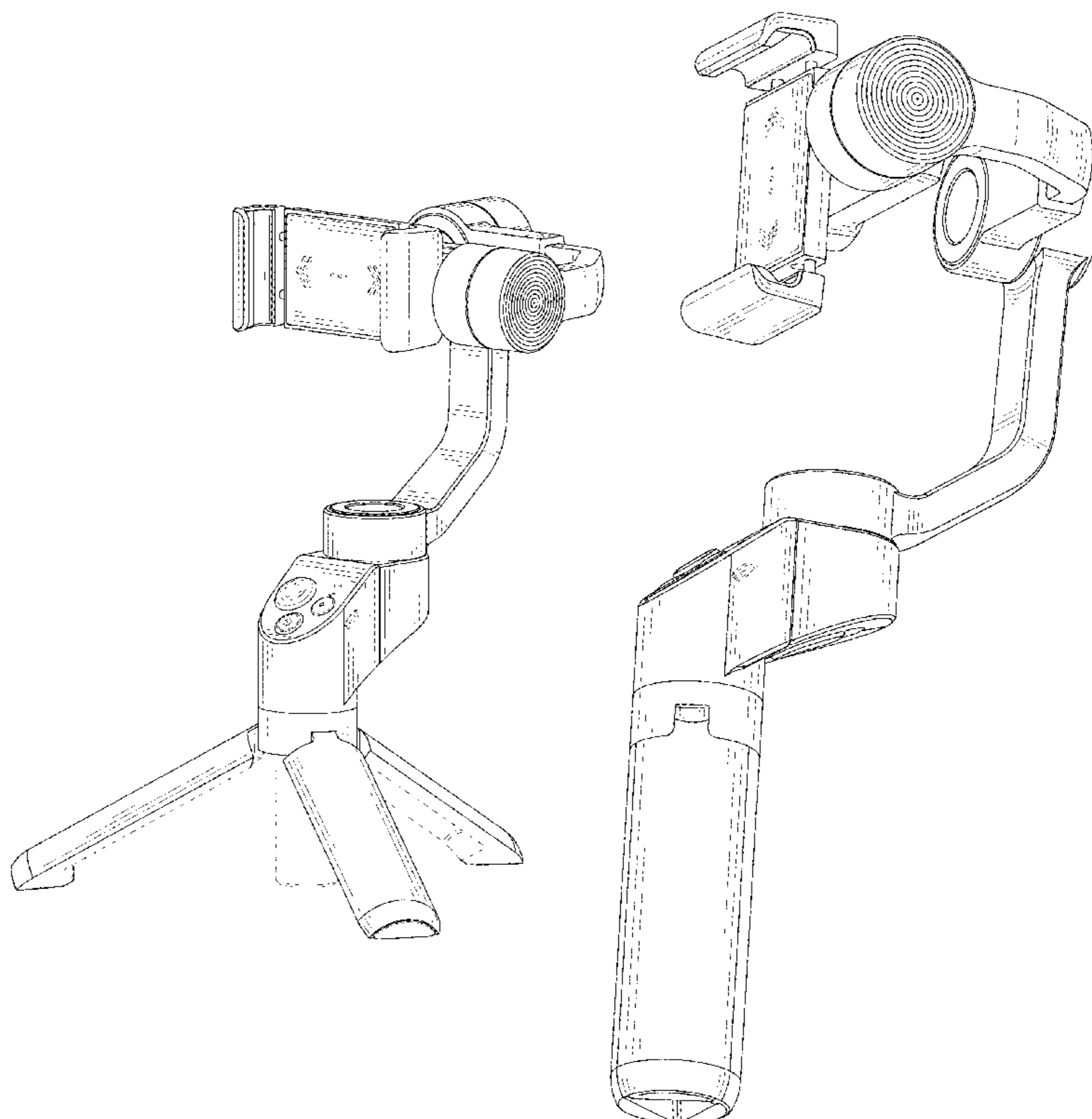
(57) **CLAIM**

The ornamental design for a camera stabilizer, as shown and described.

**DESCRIPTION**

FIG. 1 is a perspective view of a camera stabilizer showing my new design;  
FIG. 2 is another perspective view thereof;  
FIG. 3 is a front elevational view thereof;  
FIG. 4 is a rear elevational view thereof;  
FIG. 5 is a left side elevational view thereof;  
FIG. 6 is a right side elevational view thereof;  
FIG. 7 is a top plan view thereof;  
FIG. 8 is a bottom plan view thereof;  
FIG. 9 is a perspective view of the camera stabilizer shown in FIG. 1 in an expanded tripod configuration; and,  
FIG. 10 is a perspective view of the camera stabilizer shown in FIG. 1 in an unfolded configuration.  
The broken lines in the drawings depict portions of the camera stabilizer that form no part of the claimed design.

**1 Claim, 10 Drawing Sheets**



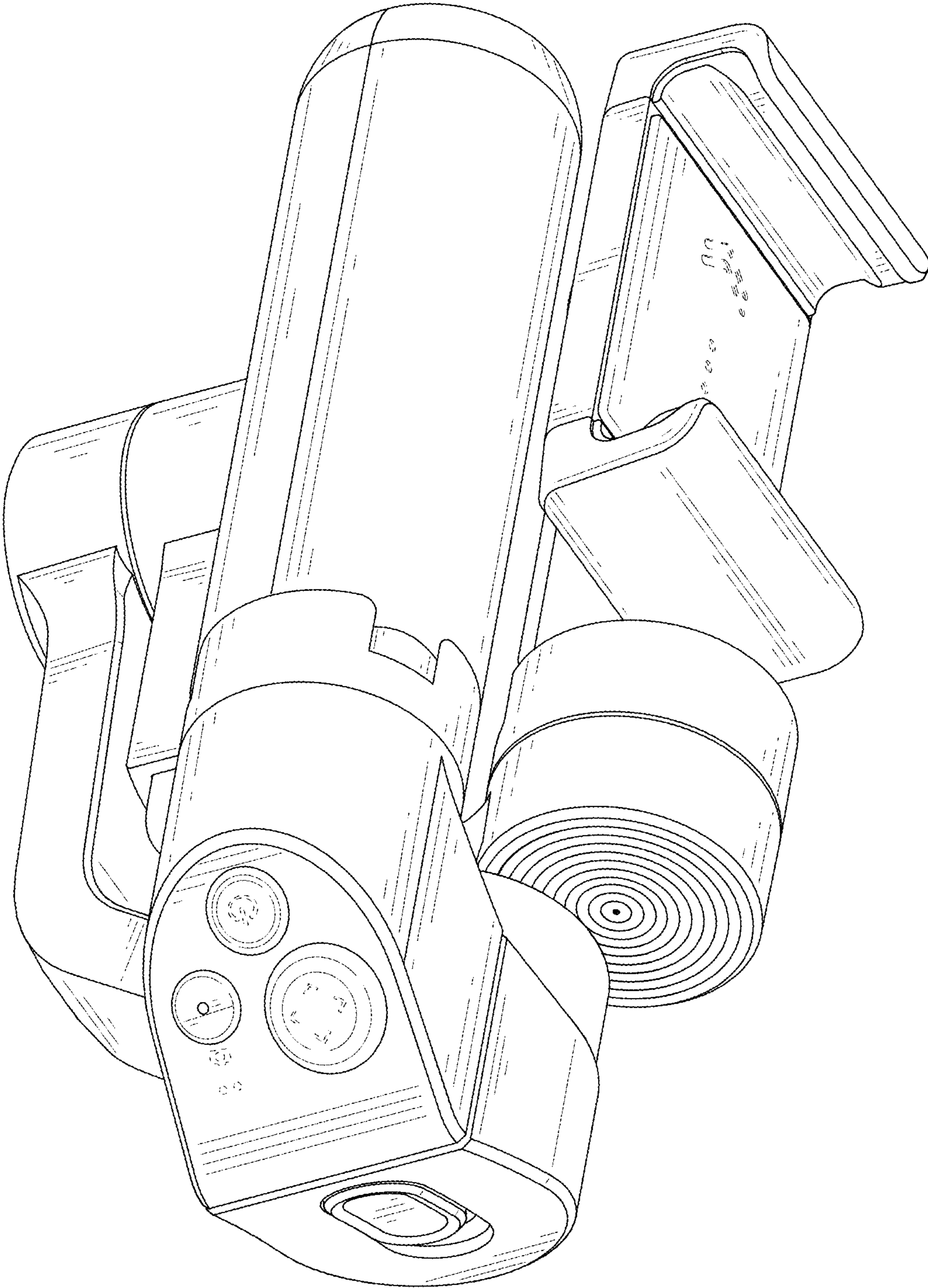


FIG. 1

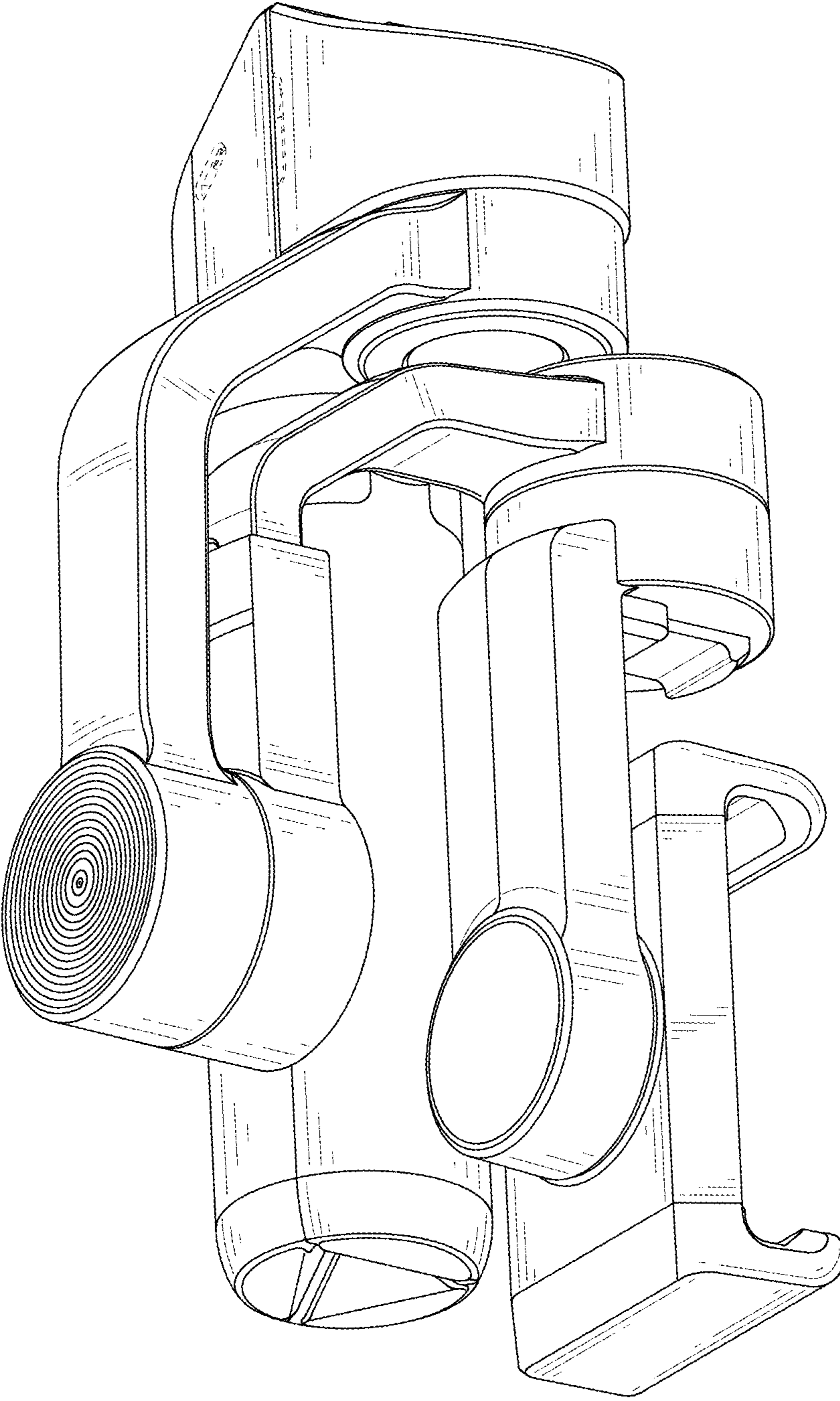


FIG. 2



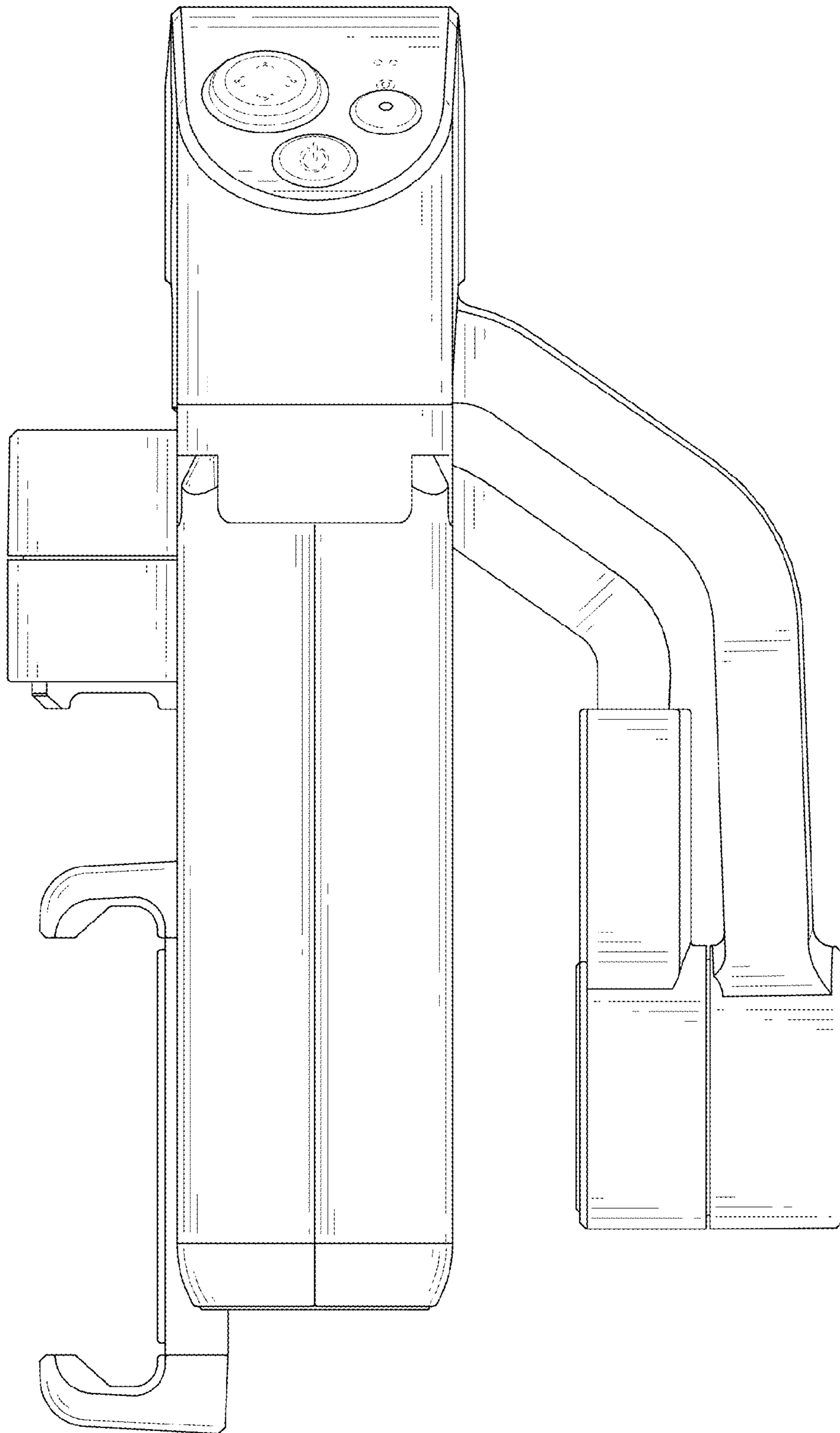


FIG. 3

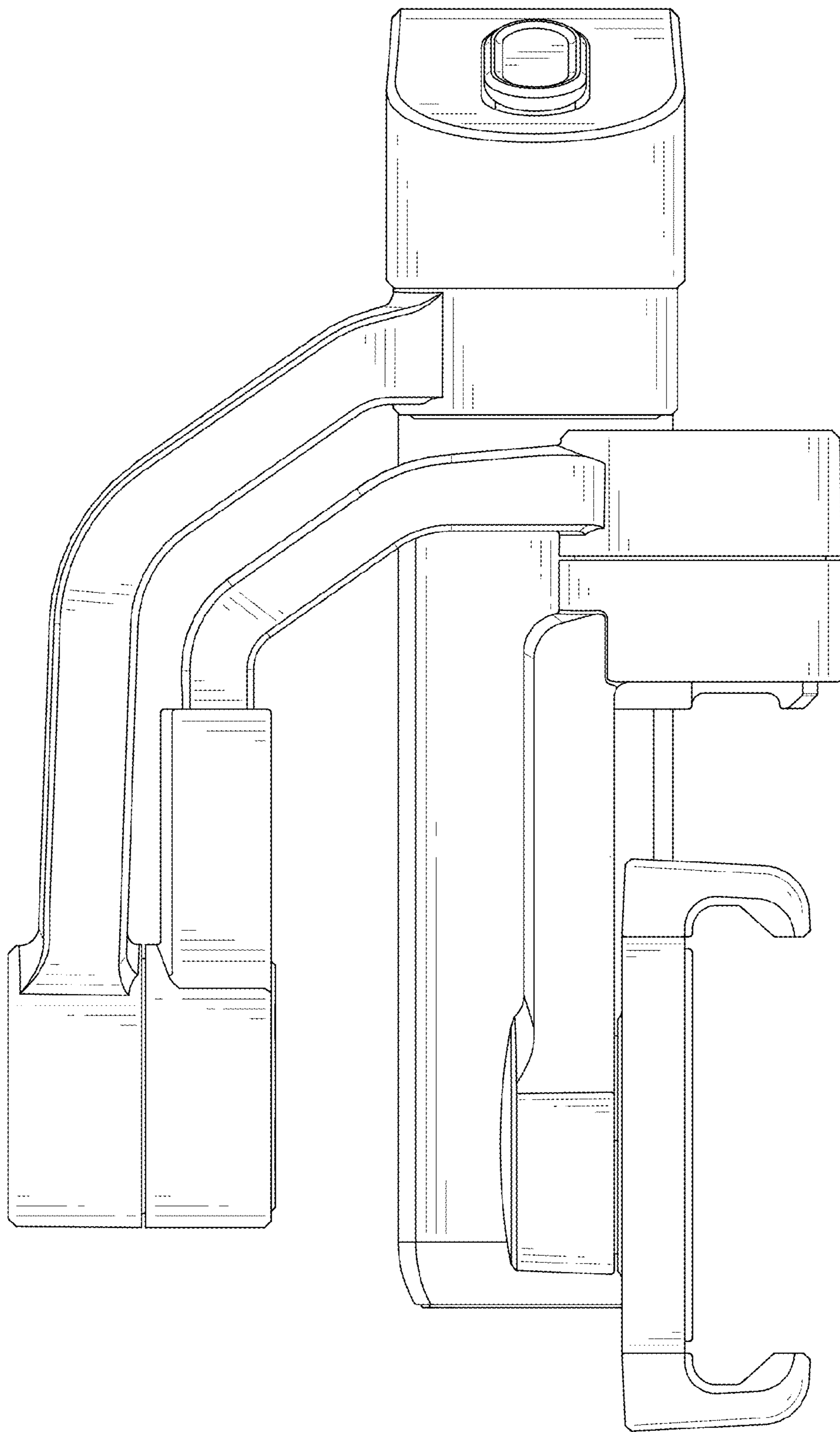


FIG. 4

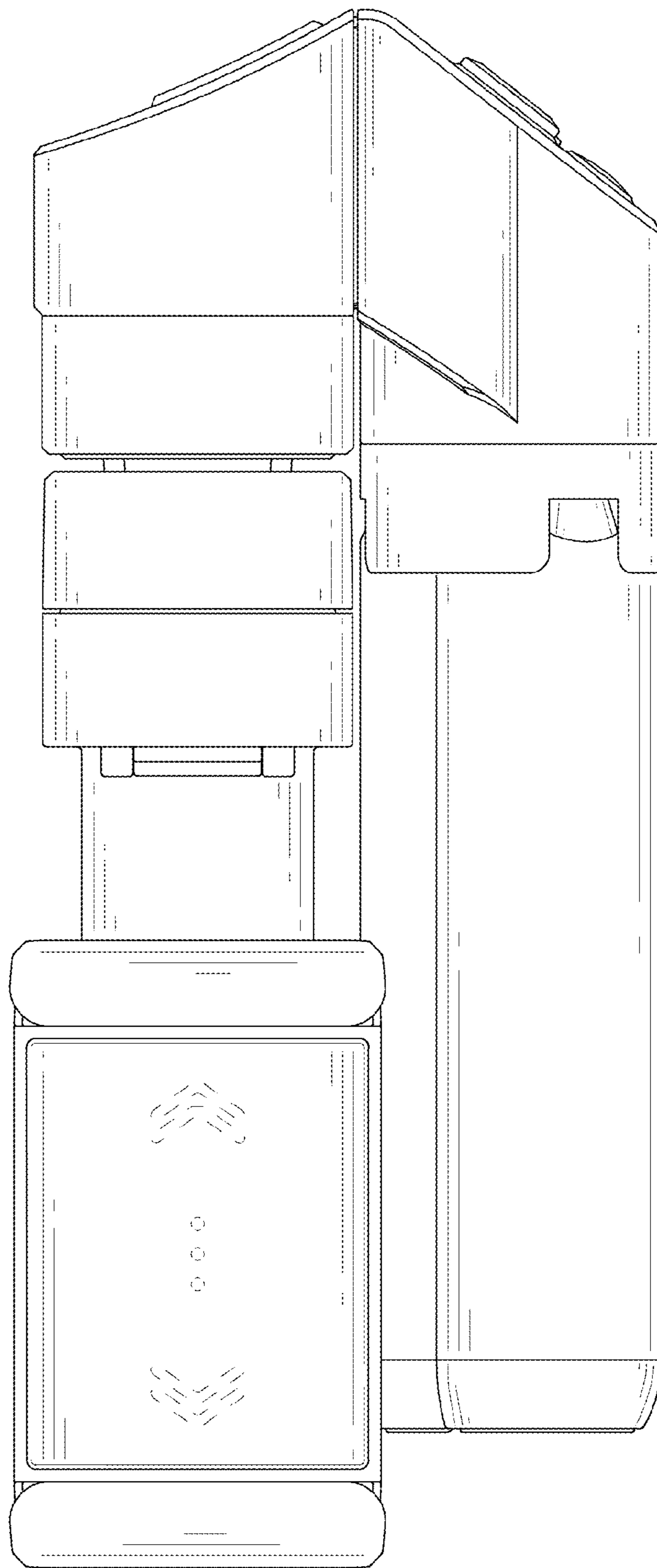


FIG. 5

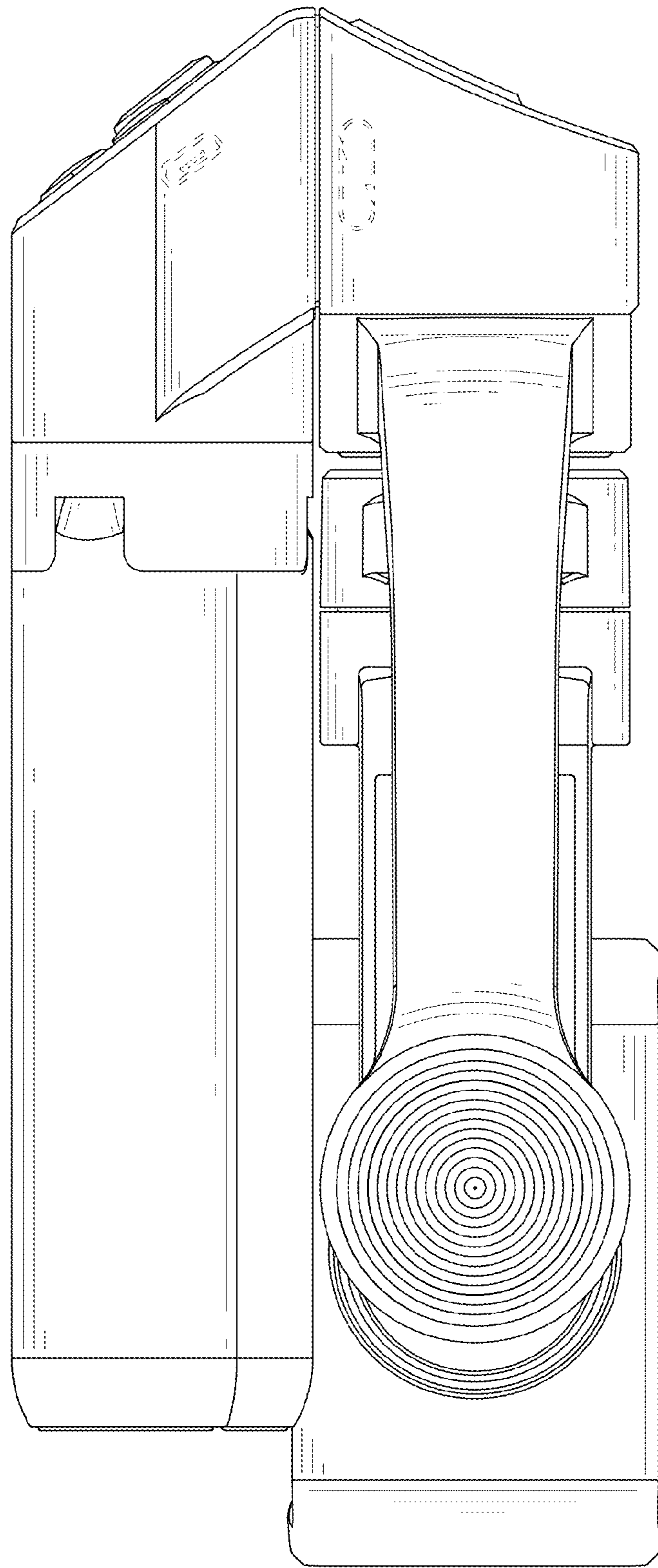


FIG. 6

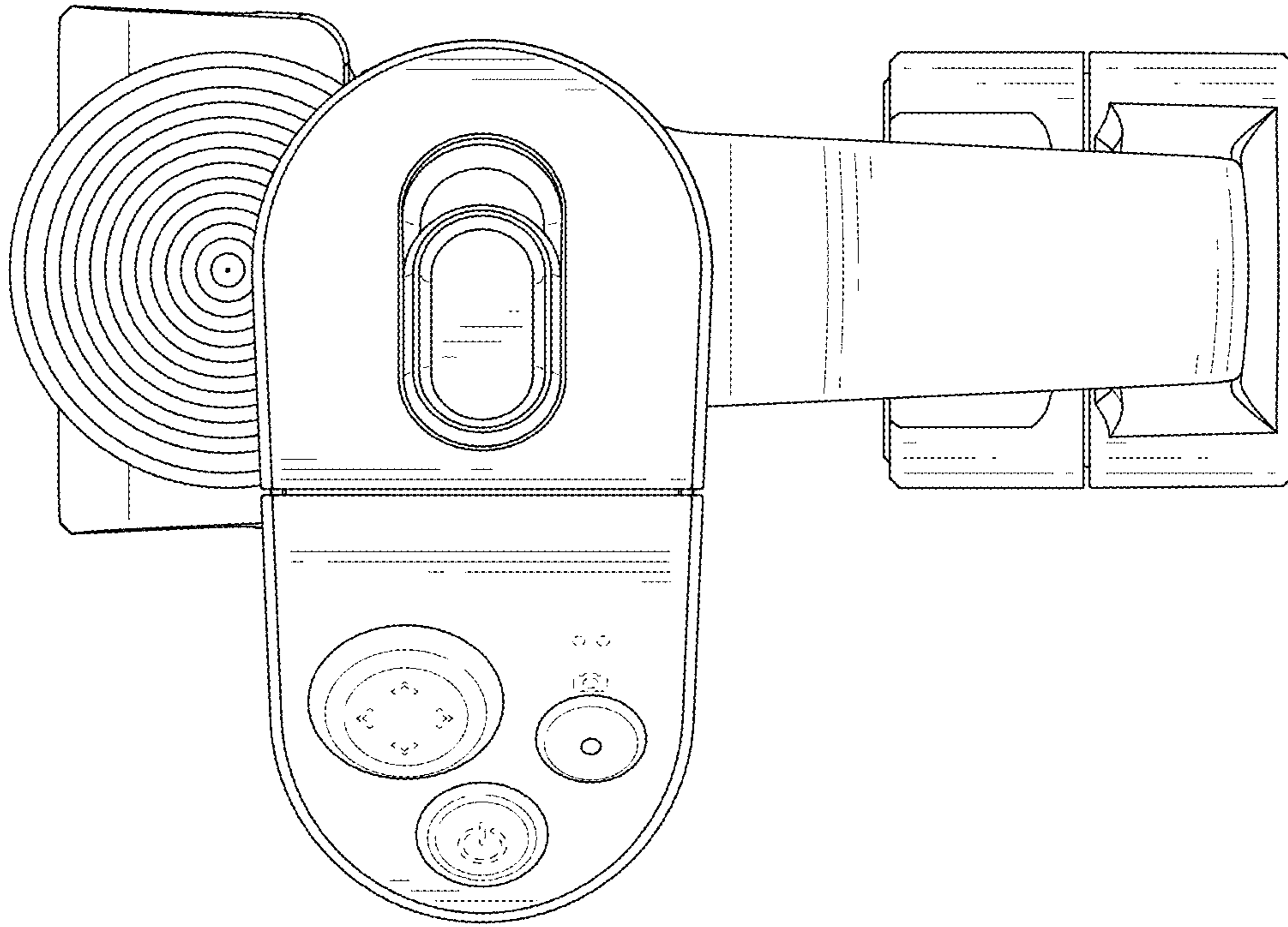


FIG. 7



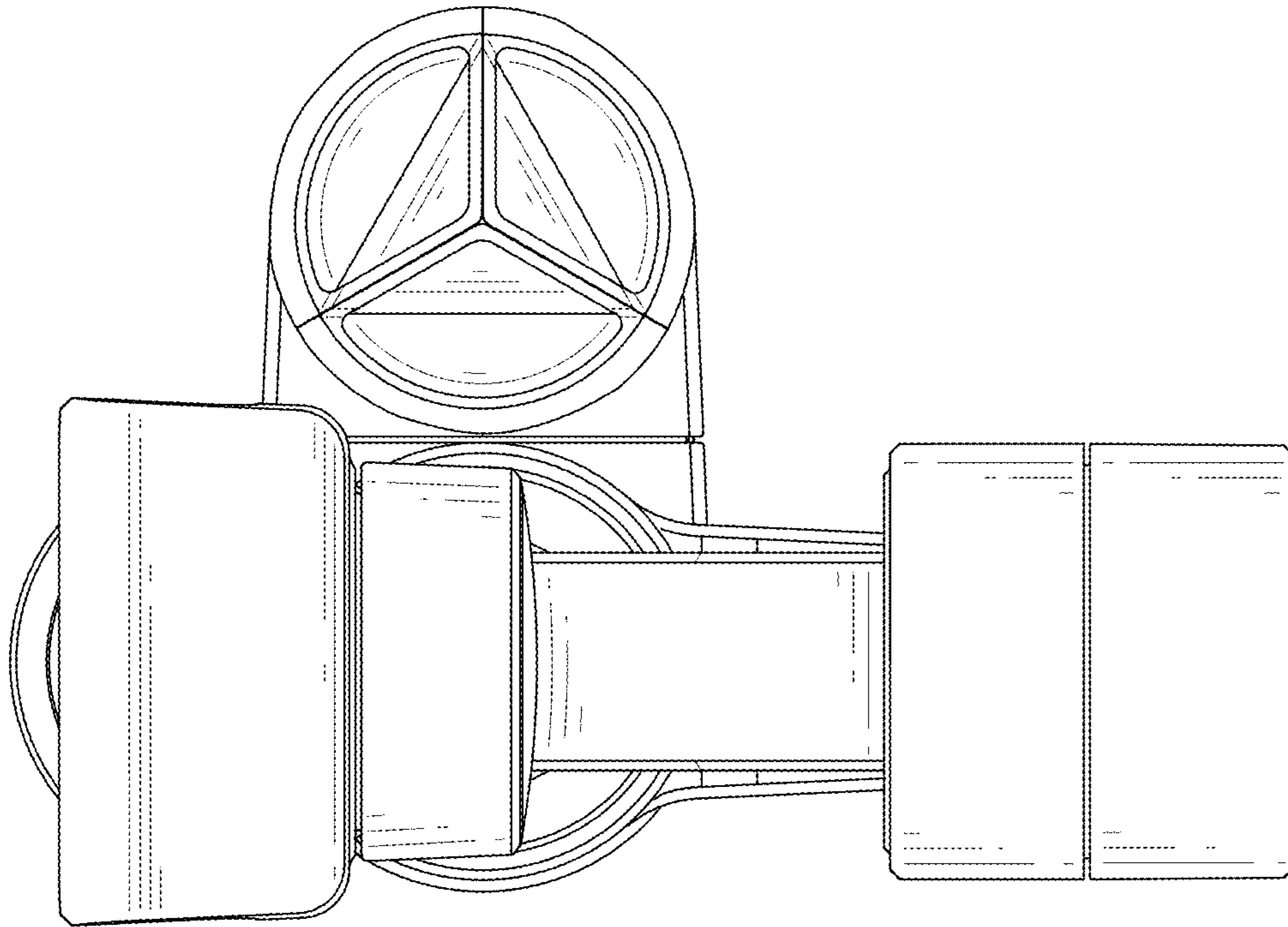


FIG. 8

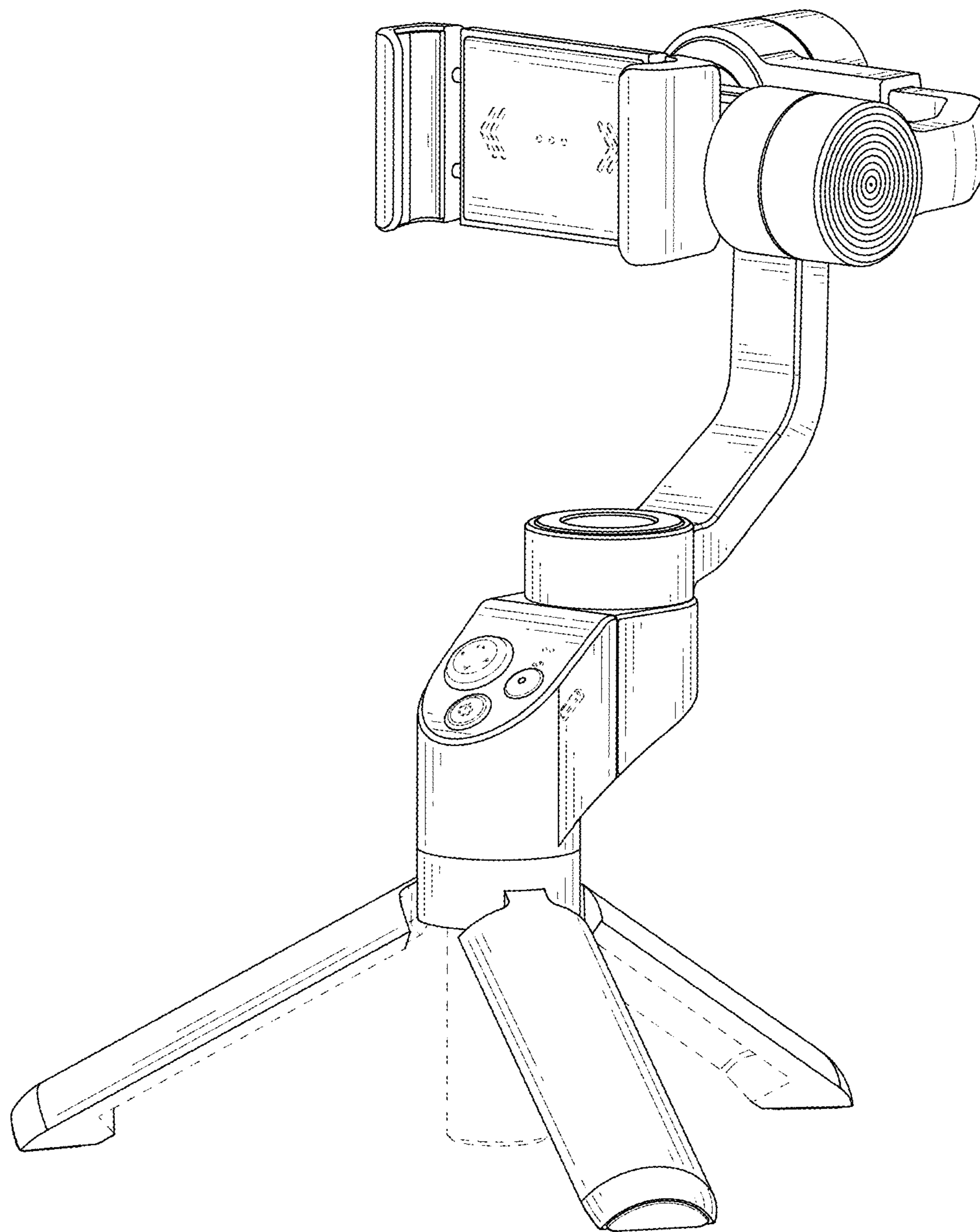


FIG. 9

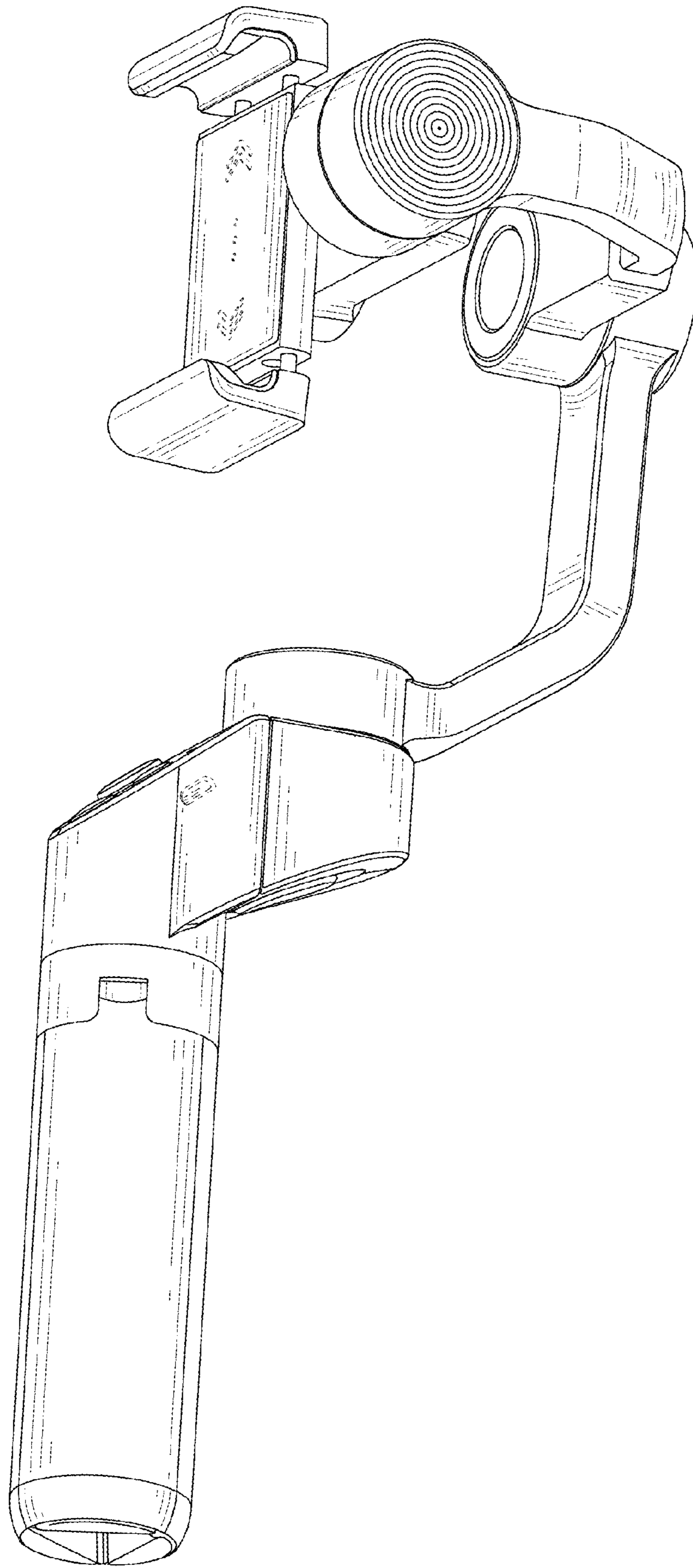


FIG. 10