

US00D909454S

(12) **United States Design Patent**
Tung

(10) **Patent No.:** **US D909,454 S**

(45) **Date of Patent:** **** Feb. 2, 2021**

(54) **CAMERA COVER**

DESCRIPTION

(71) Applicant: **1 CoverMe Limited**, Hong Kong (CN)

(72) Inventor: **Ho Shing Tung**, Hong Kong (CN)

(73) Assignee: **1COVERME LIMITED**, Hong Kong (CN)

(**) Term: **15 Years**

(21) Appl. No.: **29/695,525**

(22) Filed: **Jun. 19, 2019**

(51) **LOC (13) Cl.** **16-05**

(52) **U.S. Cl.**
USPC **D16/237**

(58) **Field of Classification Search**

USPC D16/219, 237-250; D2/976; D8/354,
D8/355, 363, 373, 382-383, 394-396;
D14/224, 229, 238, 251, 253, 447, 451,
D14/457

CPC A45F 5/00; A45F 5/10; A45F
2200/0508-0533; F16M 11/06-10; F16M
11/14; G03B 17/56; G03B 17/561-566;
H04N 5/2253-2254

See application file for complete search history.

(56) **References Cited**

U.S. PATENT DOCUMENTS

D451,369 S * 12/2001 Murata D8/383
D480,741 S * 10/2003 Berger D16/202
D721,396 S * 1/2015 Gustaveson, II D16/237

(Continued)

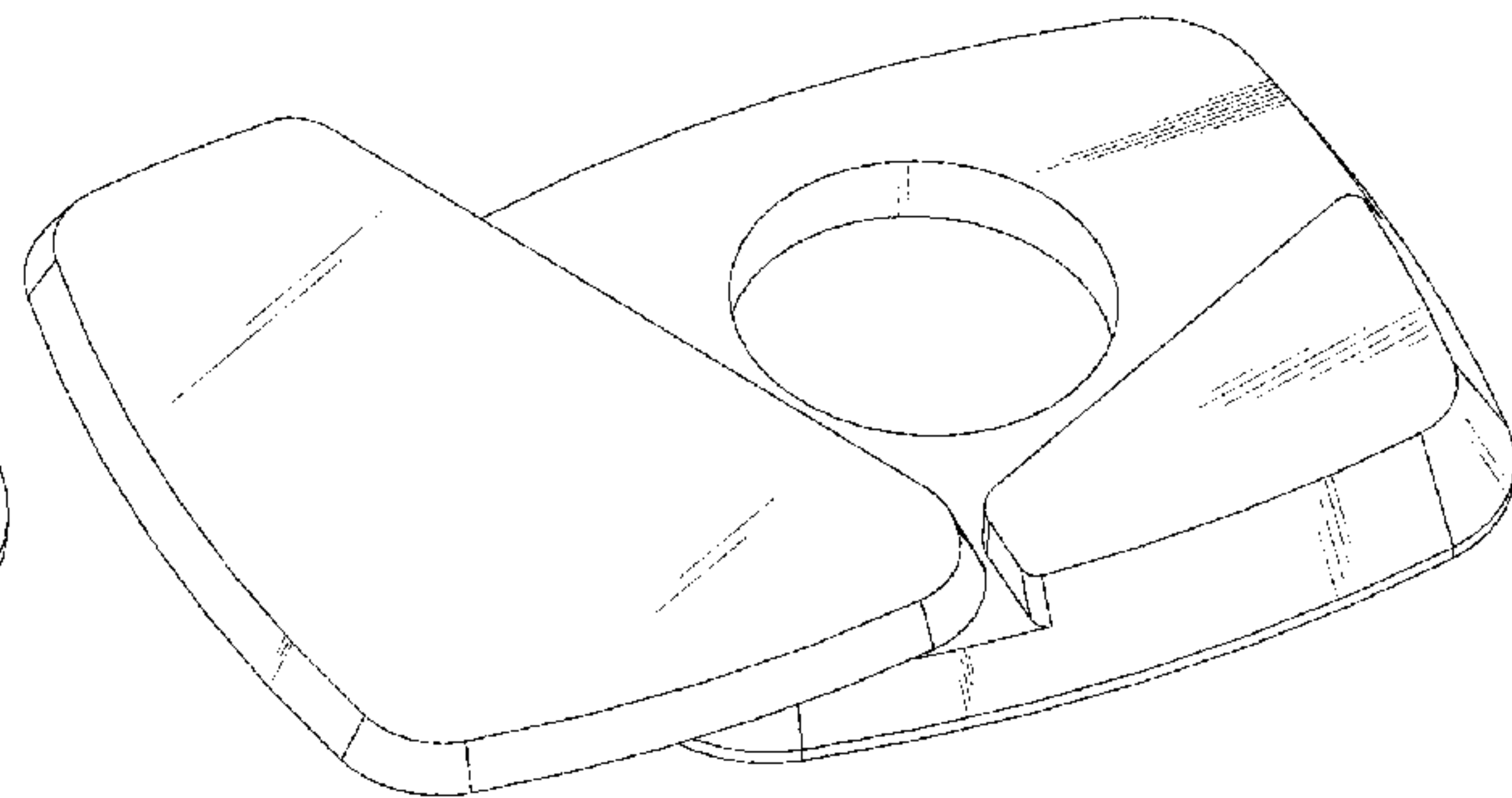
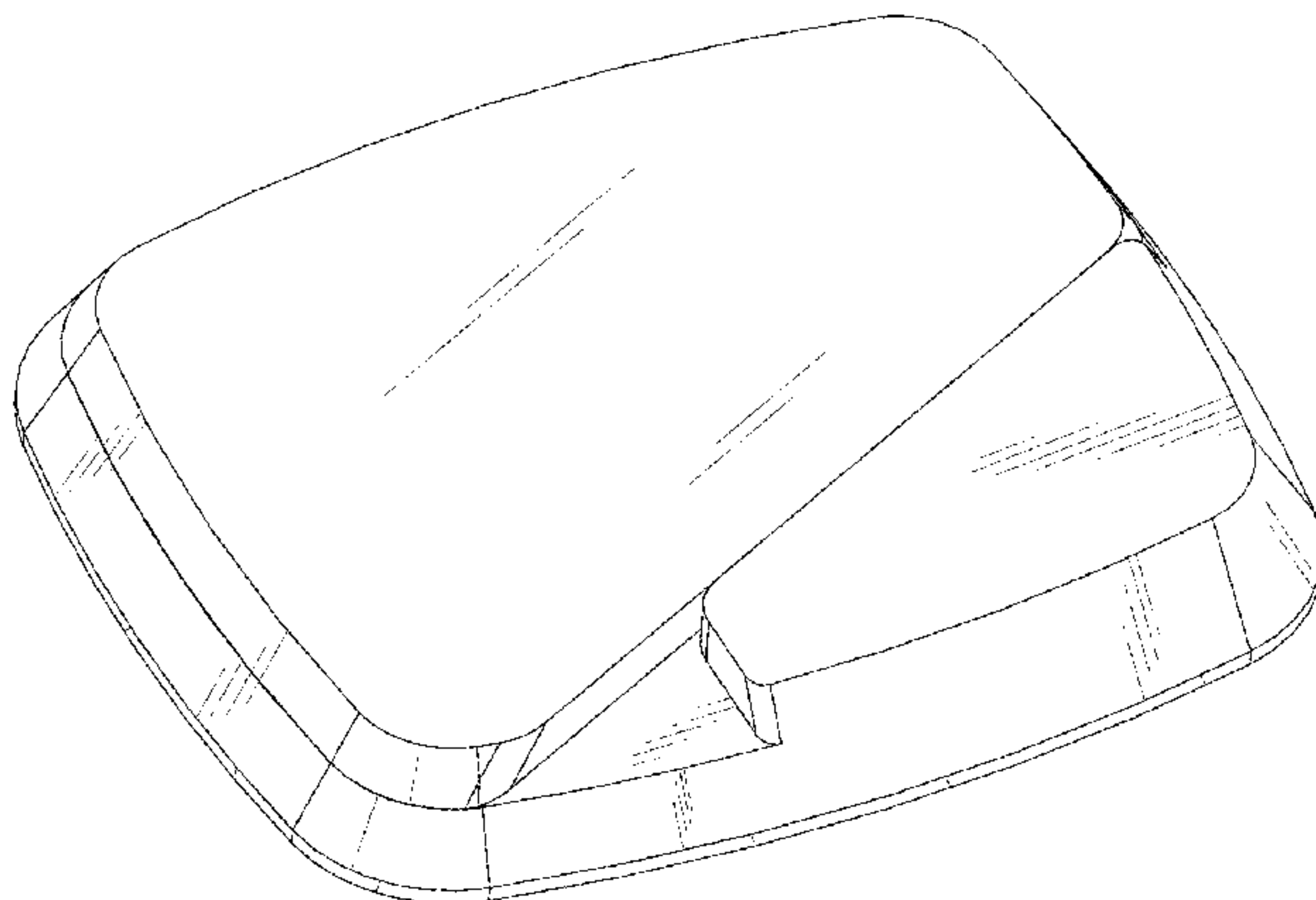
Primary Examiner — Vy N Koenig

(57) **CLAIM**

The ornamental design for a camera cover, as shown and described.

FIG. 1 is a perspective view of a first embodiment of a camera cover showing my new design where the camera cover is in a first configuration of use;
FIG. 2 is another perspective view thereof;
FIG. 3 is a front elevational view thereof;
FIG. 4 is a rear elevational view thereof;
FIG. 5 is a left side elevational view thereof;
FIG. 6 is a right side elevational view thereof;
FIG. 7 is a top plan view thereof;
FIG. 8 is a bottom plan view thereof;
FIG. 9 is a perspective view of the first embodiment of the camera cover where the camera cover is in a second configuration of use;
FIG. 10 is another perspective view thereof;
FIG. 11 is a front elevational view thereof;
FIG. 12 is a rear elevational view thereof;
FIG. 13 is a left side elevational view thereof;
FIG. 14 is a right side elevational view thereof;
FIG. 15 is a top plan view thereof;
FIG. 16 is a bottom plan view thereof;
FIG. 17 is a perspective view of the second embodiment of the camera cover showing my new design where the camera cover is in a first configuration of use;
FIG. 18 is another perspective view thereof;
FIG. 19 is a front elevational view thereof;
FIG. 20 is a rear elevational view thereof;
FIG. 21 is a left side elevational view thereof;
FIG. 22 is a right side elevational view thereof;
FIG. 23 is a top plan view thereof;
FIG. 24 is a bottom plan view thereof;
FIG. 25 is a perspective view of the second embodiment of the camera cover where the camera cover is in a second configuration of use;
FIG. 26 is another perspective view thereof;
FIG. 27 is a front elevational view thereof;
FIG. 28 is a rear elevational view thereof;
FIG. 29 is a left side elevational view thereof;
FIG. 30 is a right side elevational view thereof;
FIG. 31 is a top plan view thereof; and,
FIG. 32 is a bottom plan view thereof.

1 Claim, 32 Drawing Sheets



(56)

References Cited

U.S. PATENT DOCUMENTS

D763,843 S * 8/2016 Gustaveson, II D14/250
D790,960 S * 7/2017 McSweyn D8/382
D810,180 S * 2/2018 Gustaveson, II G03B 11/041
D16/237
D816,149 S * 4/2018 Dalton D16/237
D865,848 S * 11/2019 Sakai D16/219
D868,136 S * 11/2019 Tadmor D16/237
D886,181 S * 6/2020 Lu D16/237
10,761,404 B2 * 9/2020 Leimer G03B 11/041
D898,806 S * 10/2020 De Vries D16/237

* cited by examiner

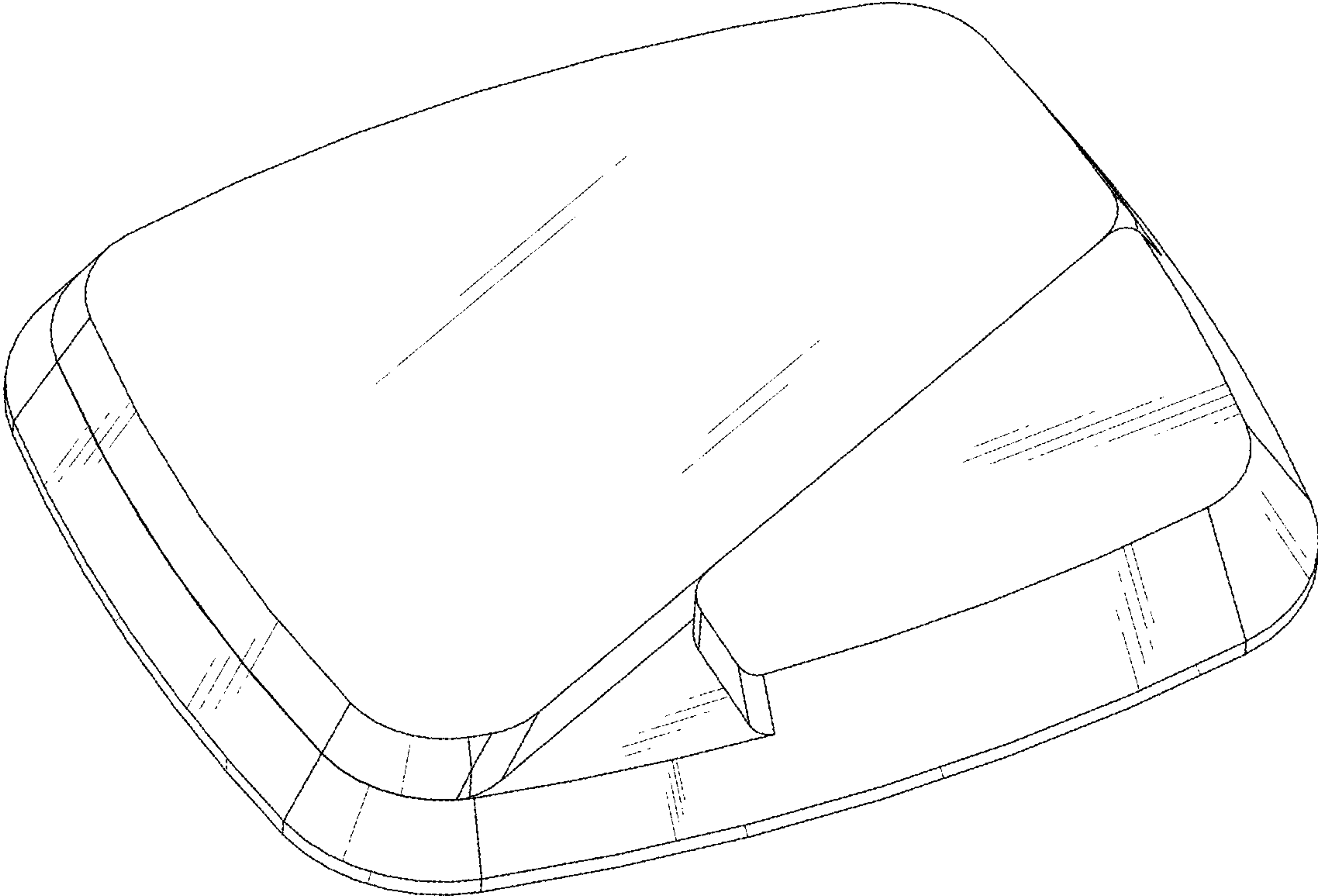


FIG. 1

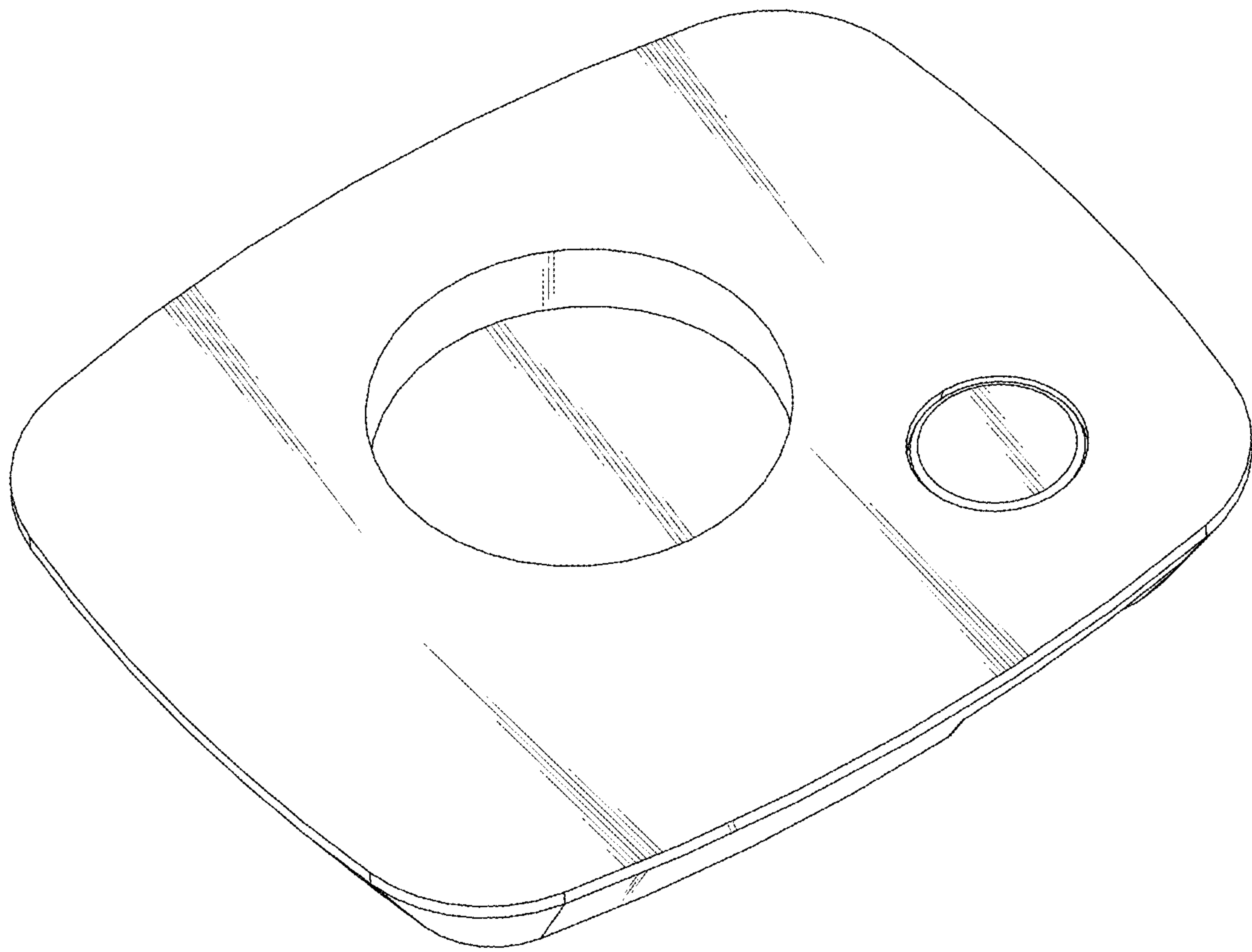


FIG. 2

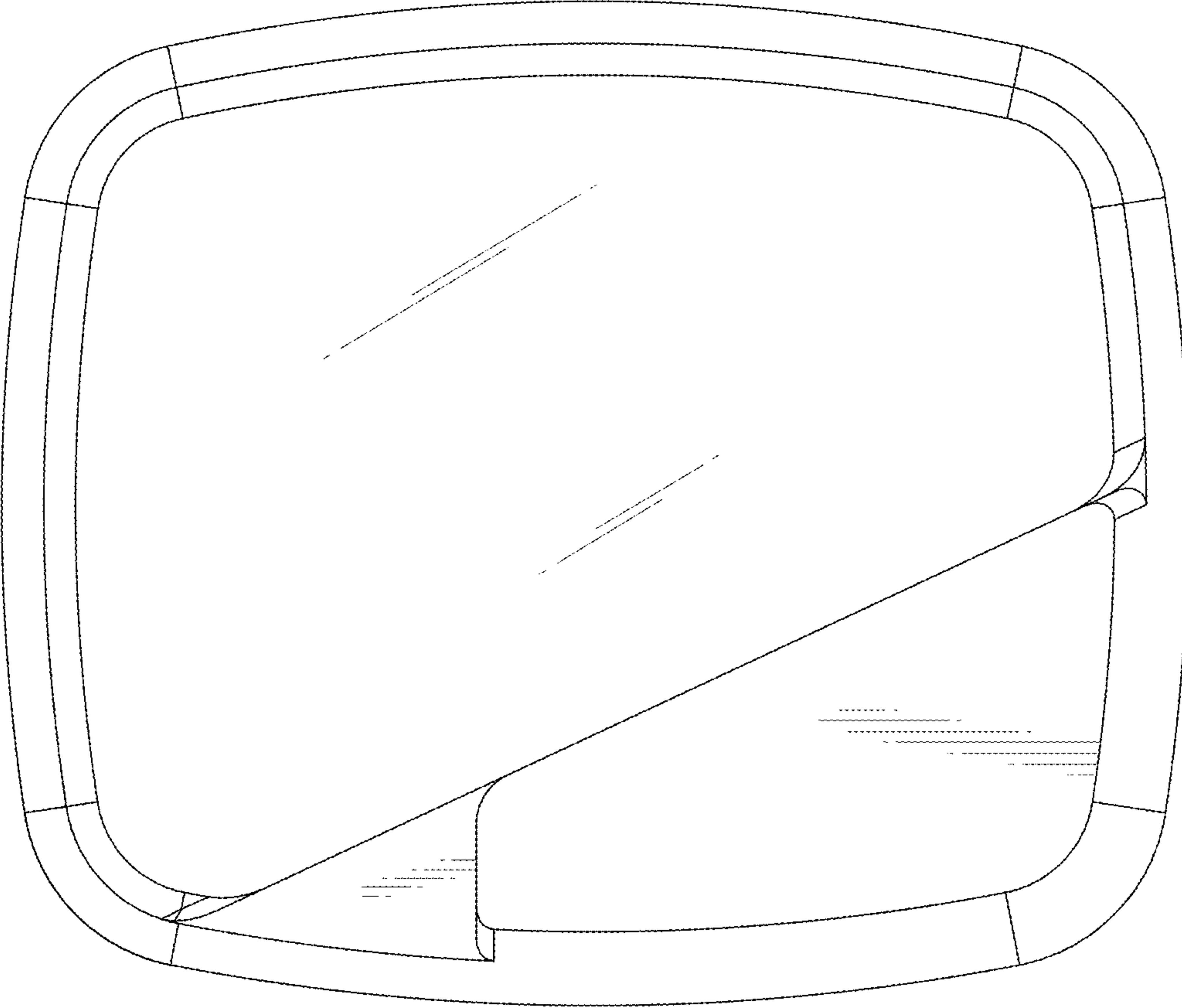


FIG. 3

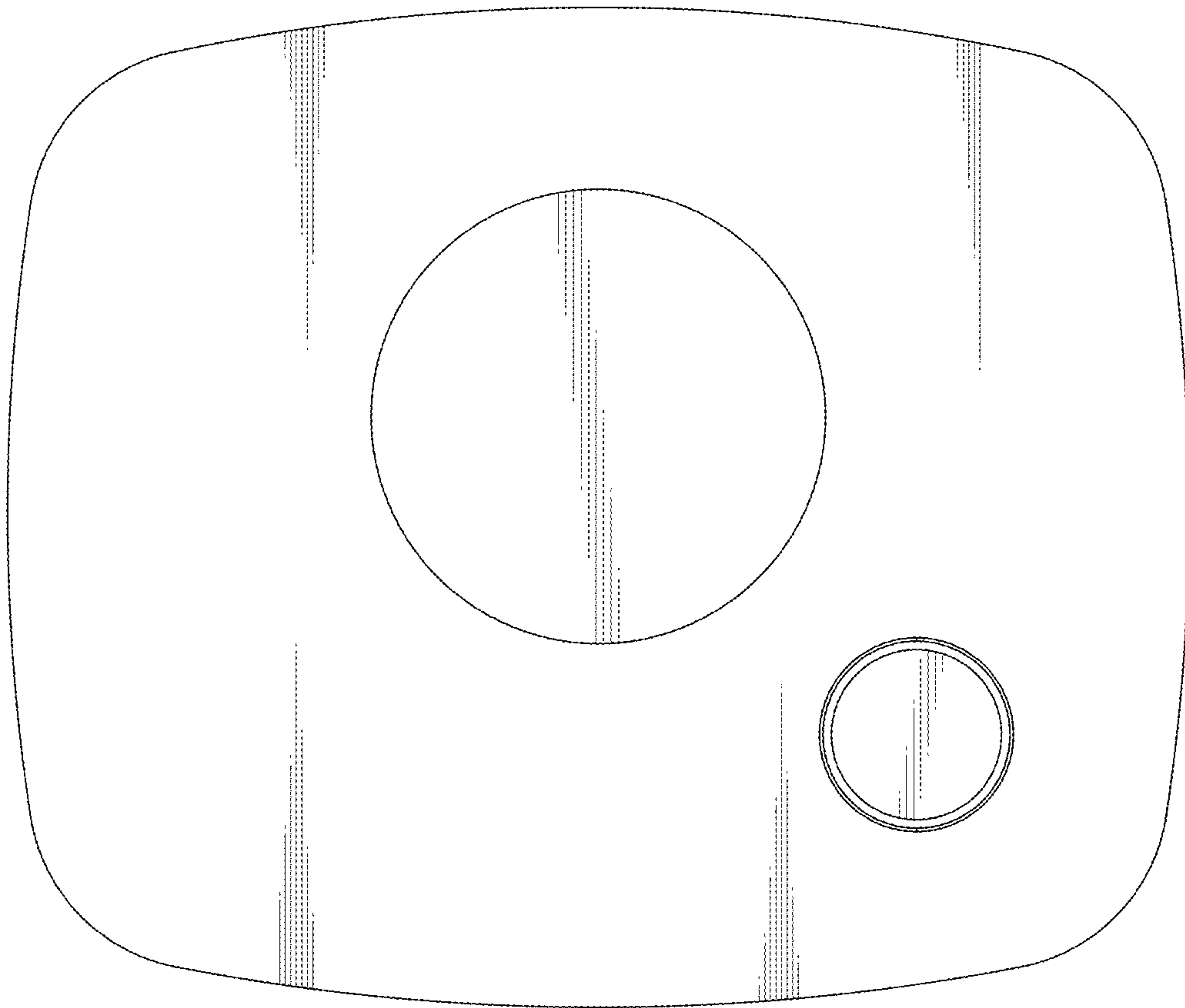


FIG. 4

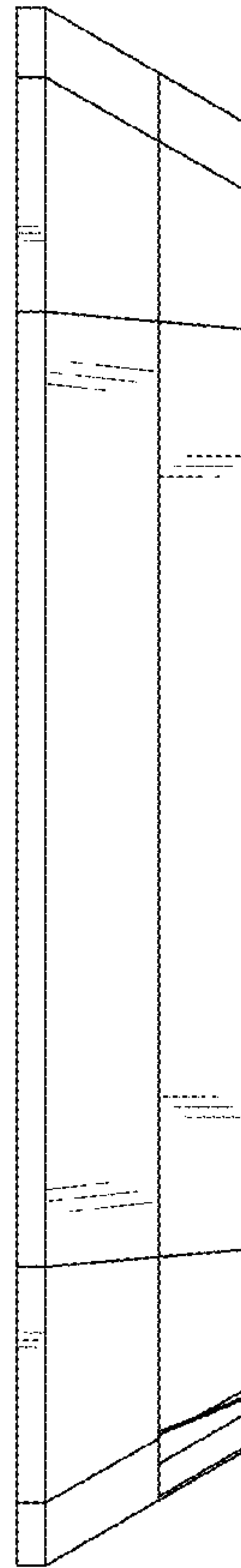


FIG. 5

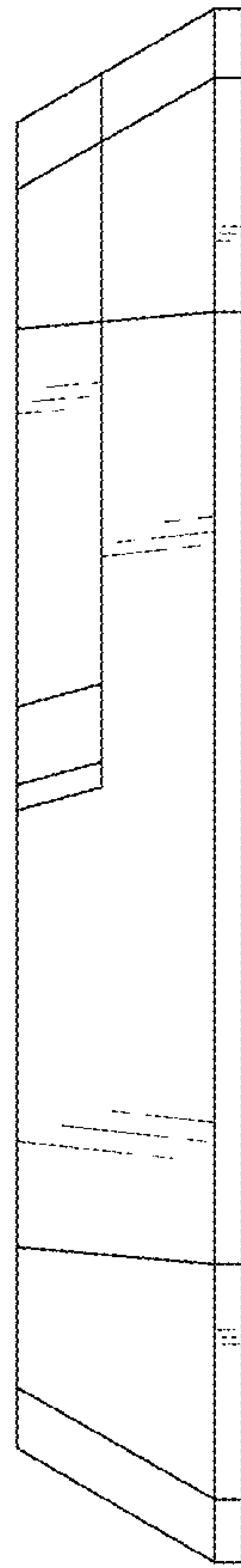


FIG. 6

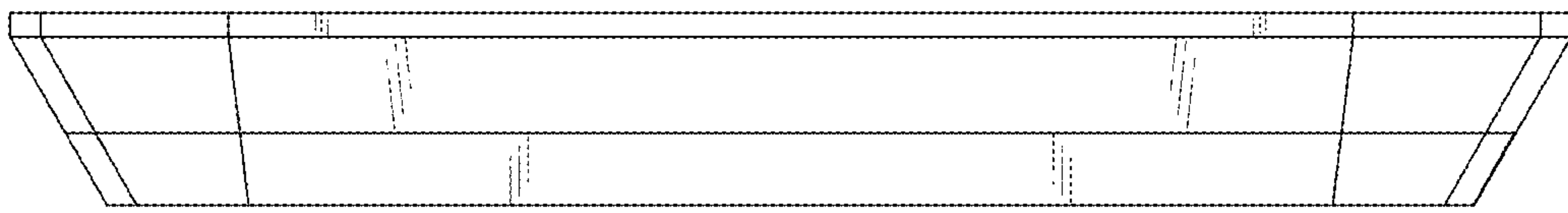


FIG. 7

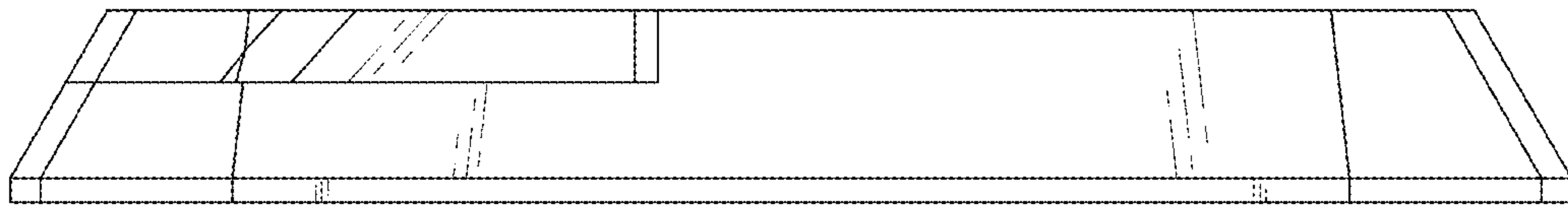


FIG. 8

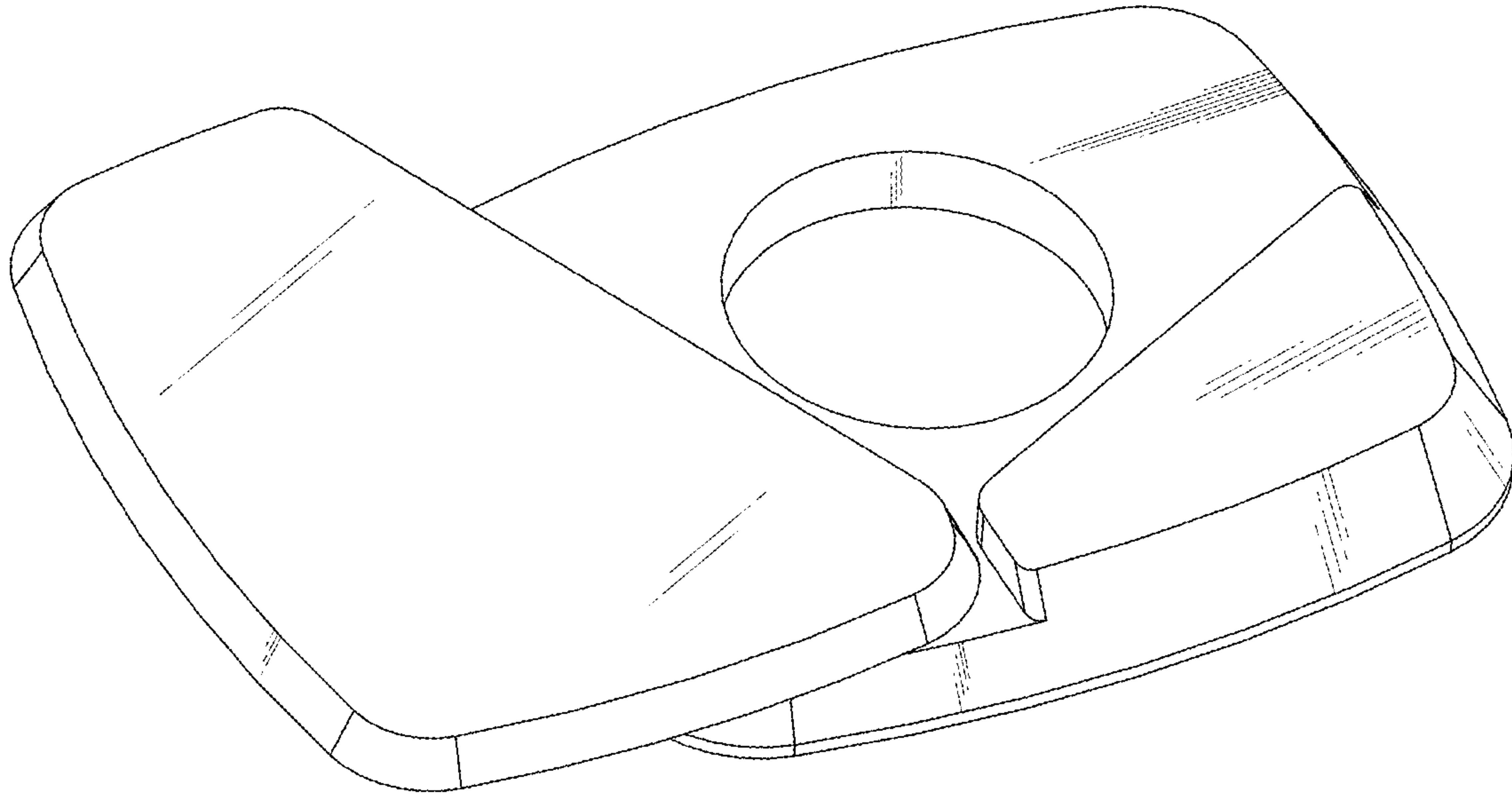


FIG. 9

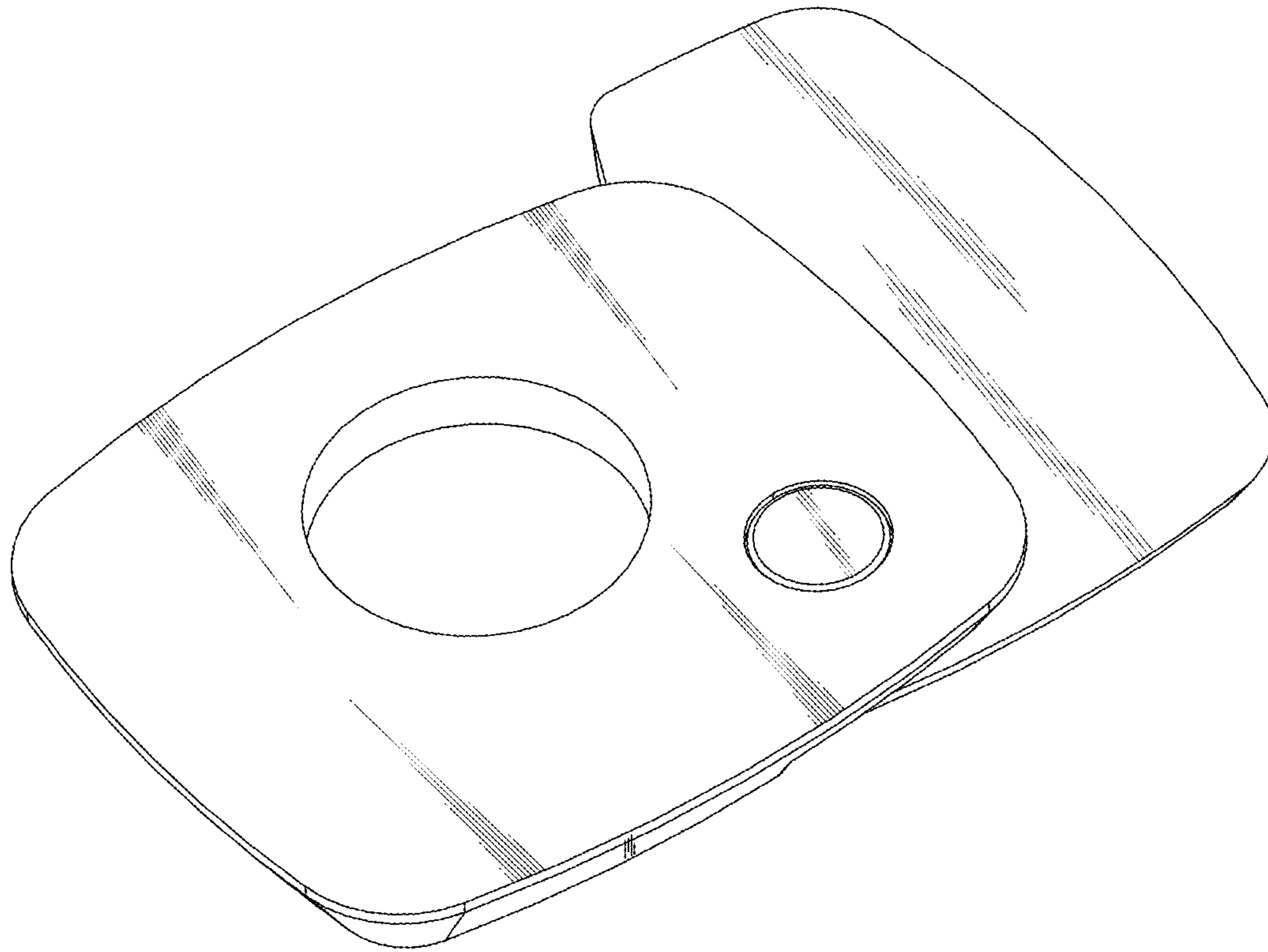


FIG. 10

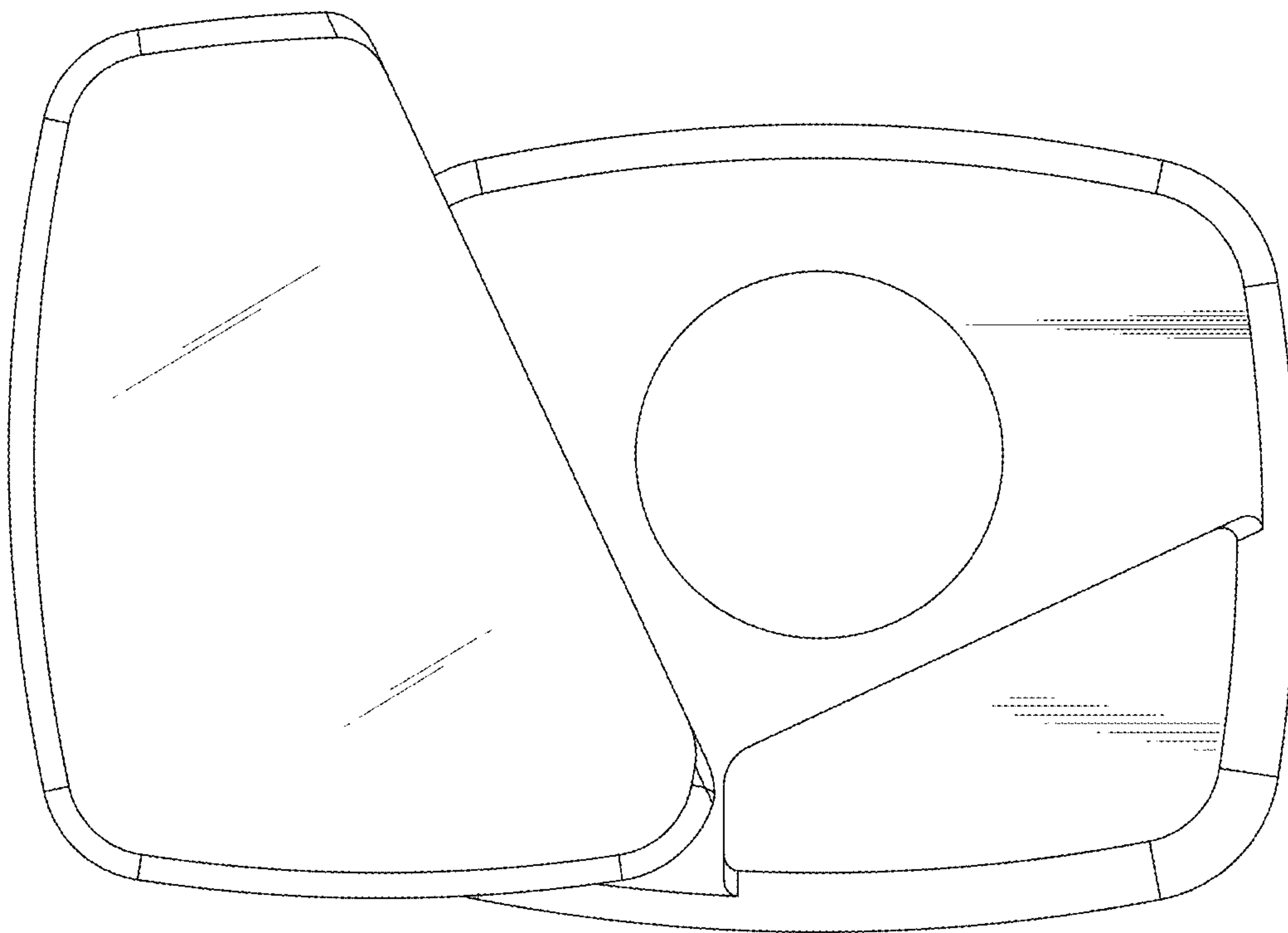


FIG. 11

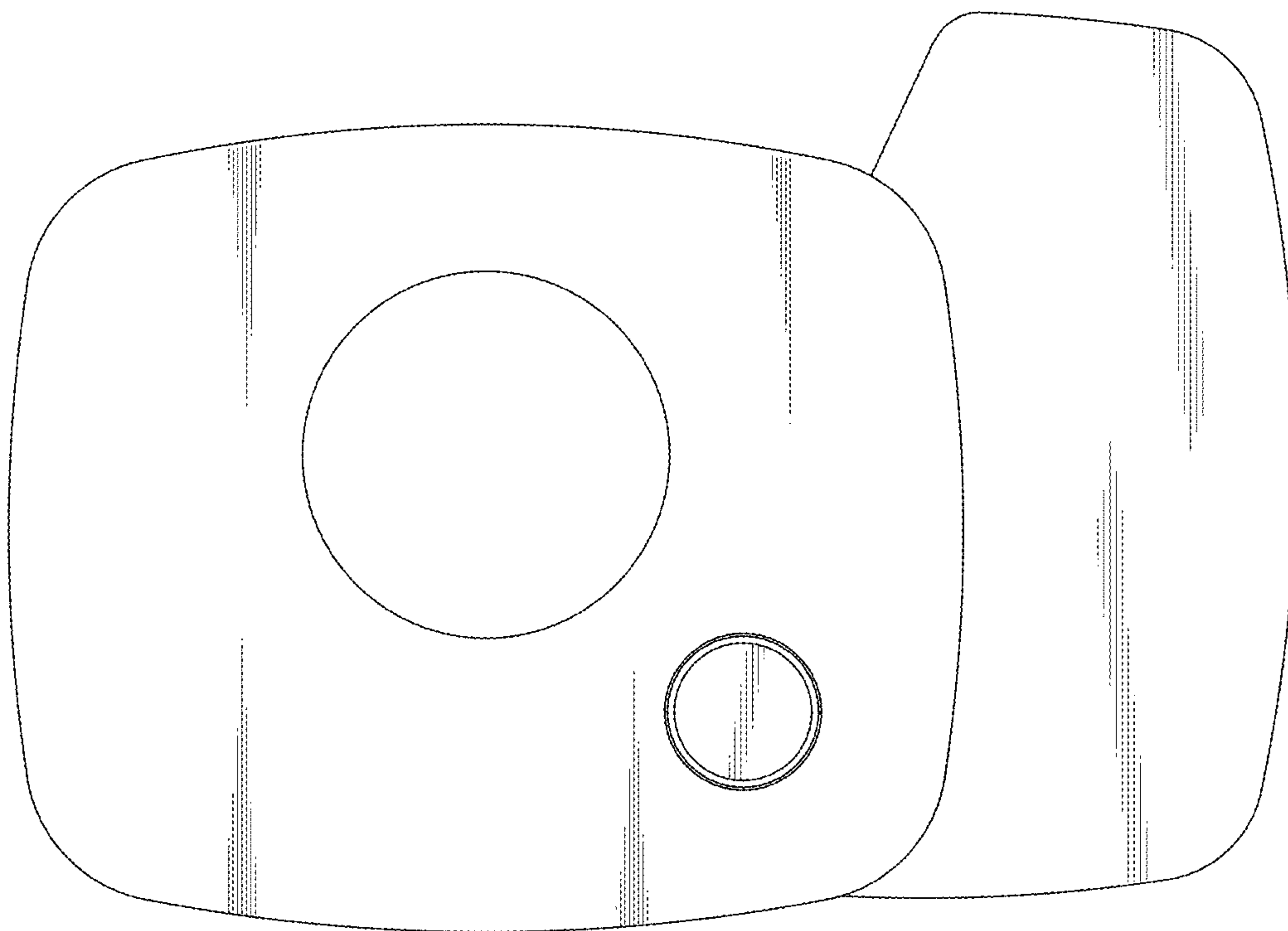


FIG. 12

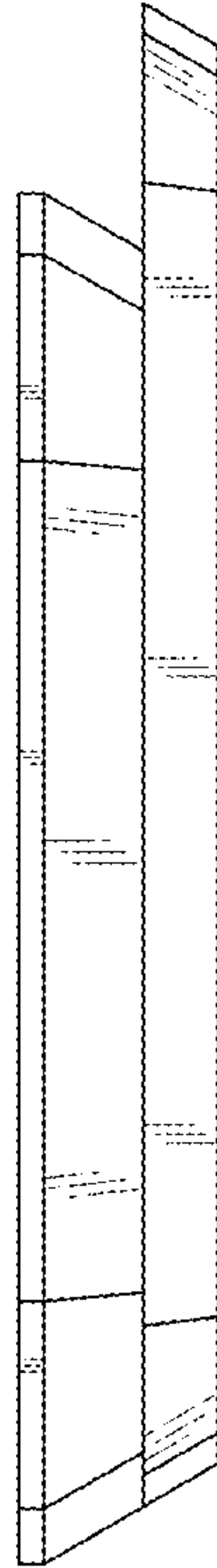


FIG. 13

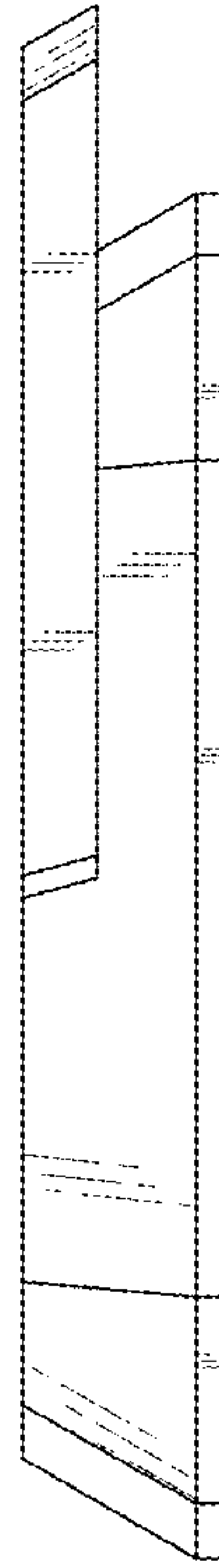


FIG. 14

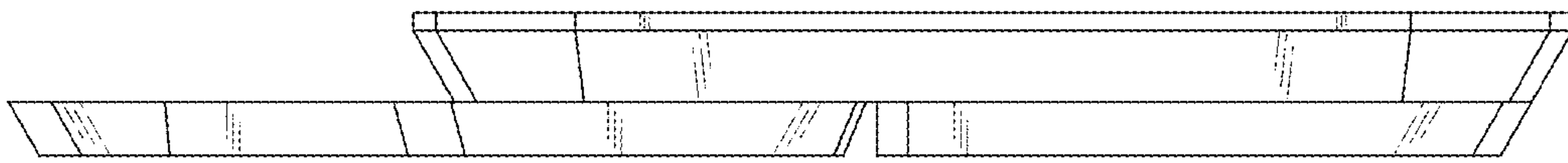


FIG. 15

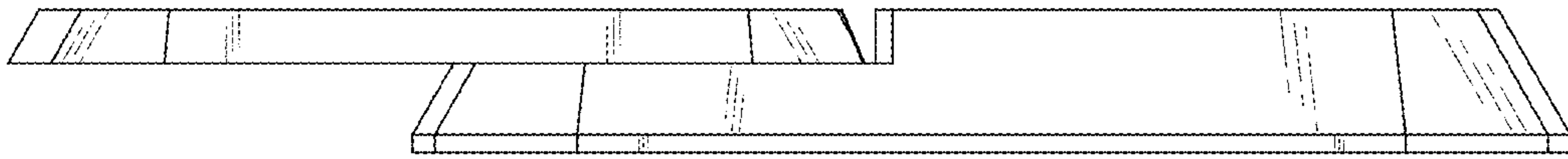


FIG. 16

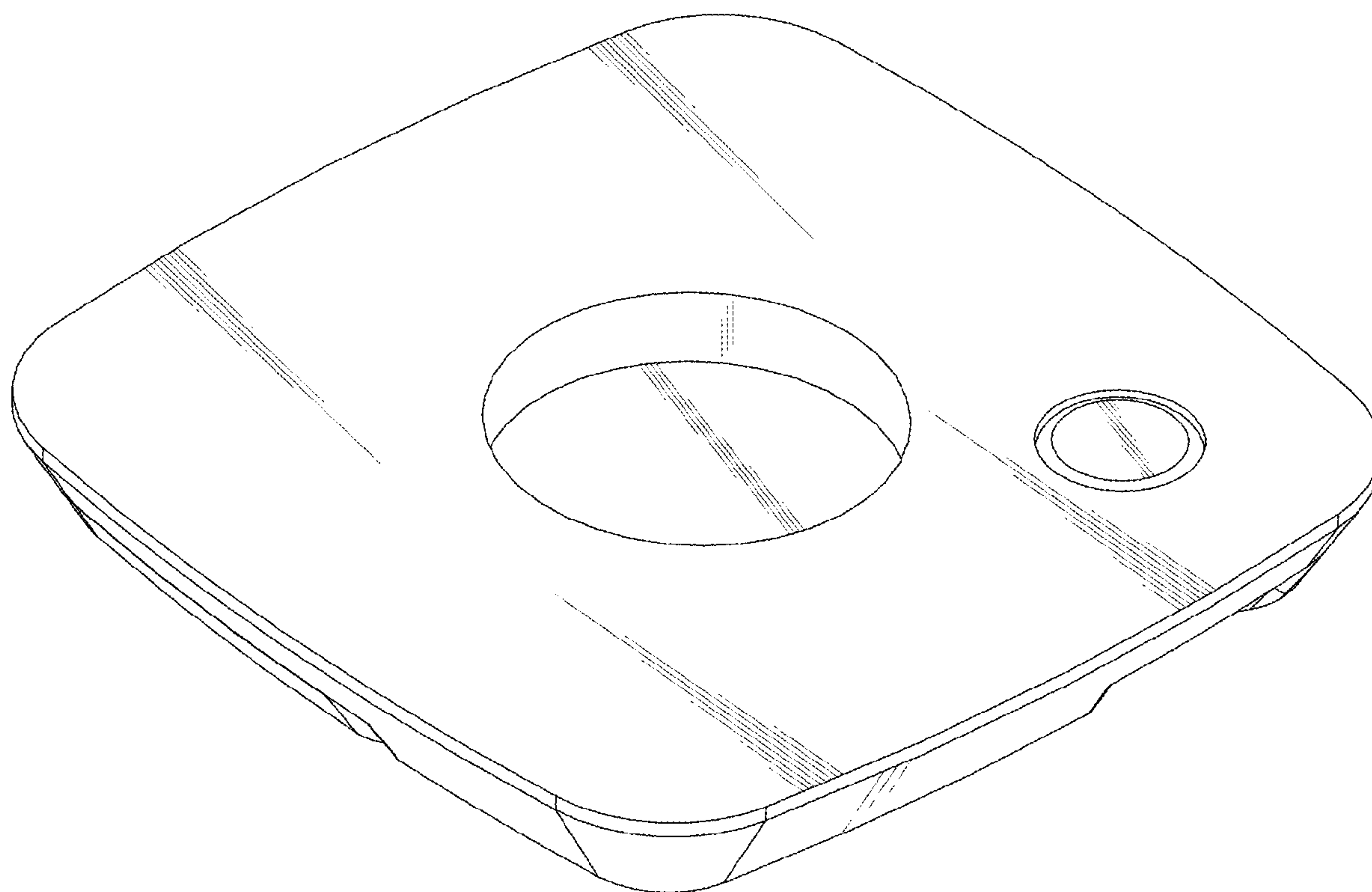


FIG. 17

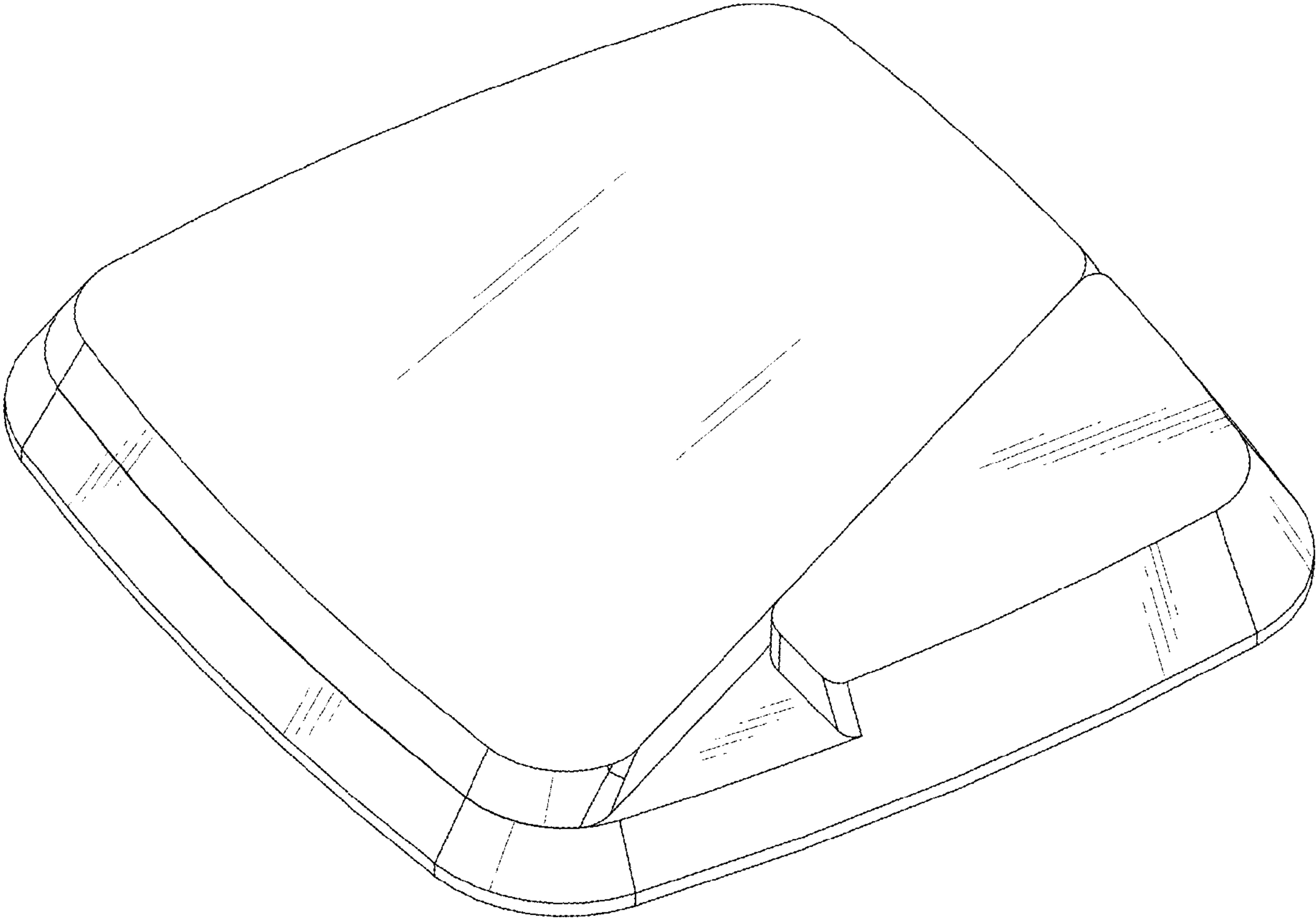


FIG. 18

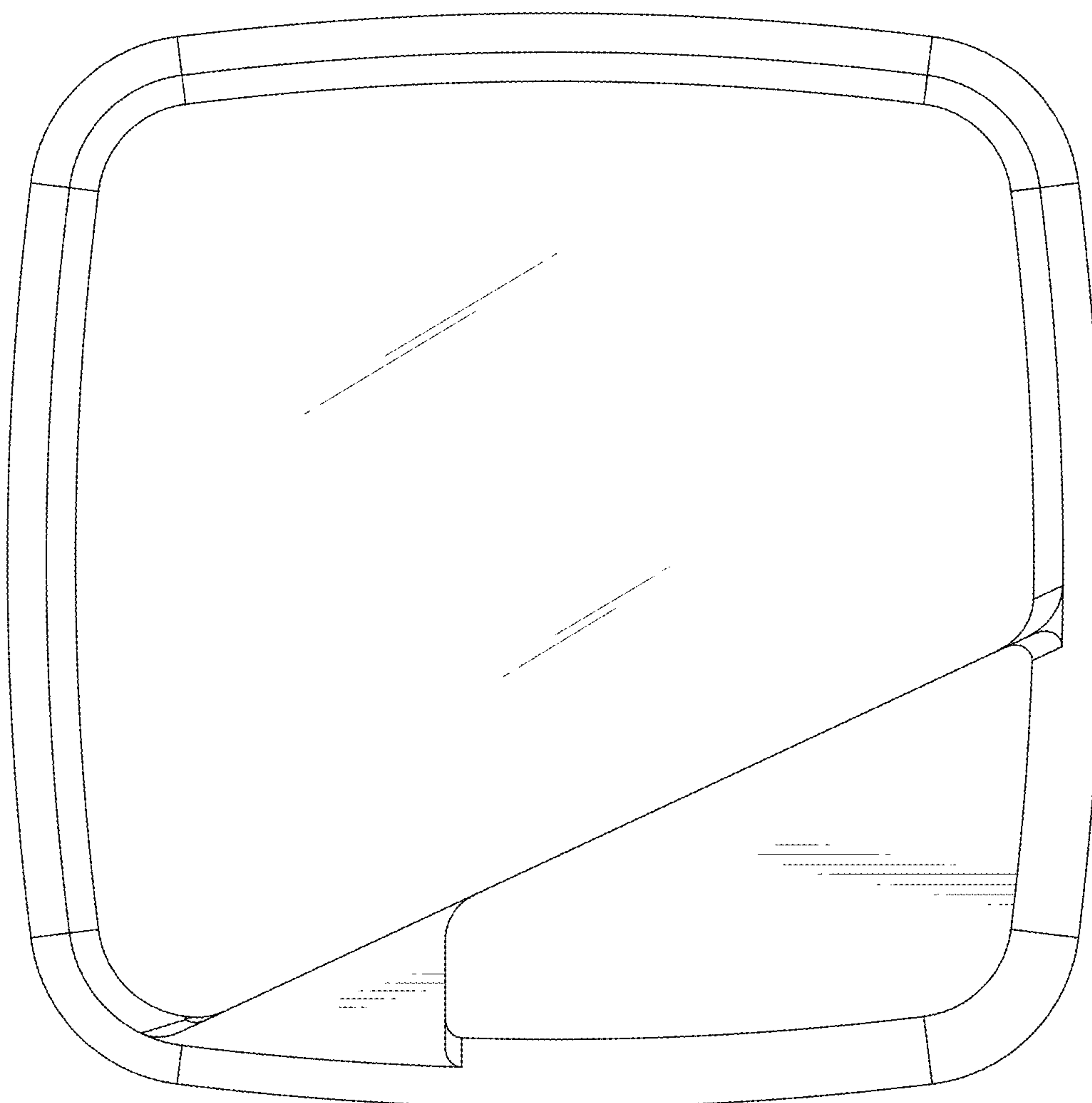


FIG. 19

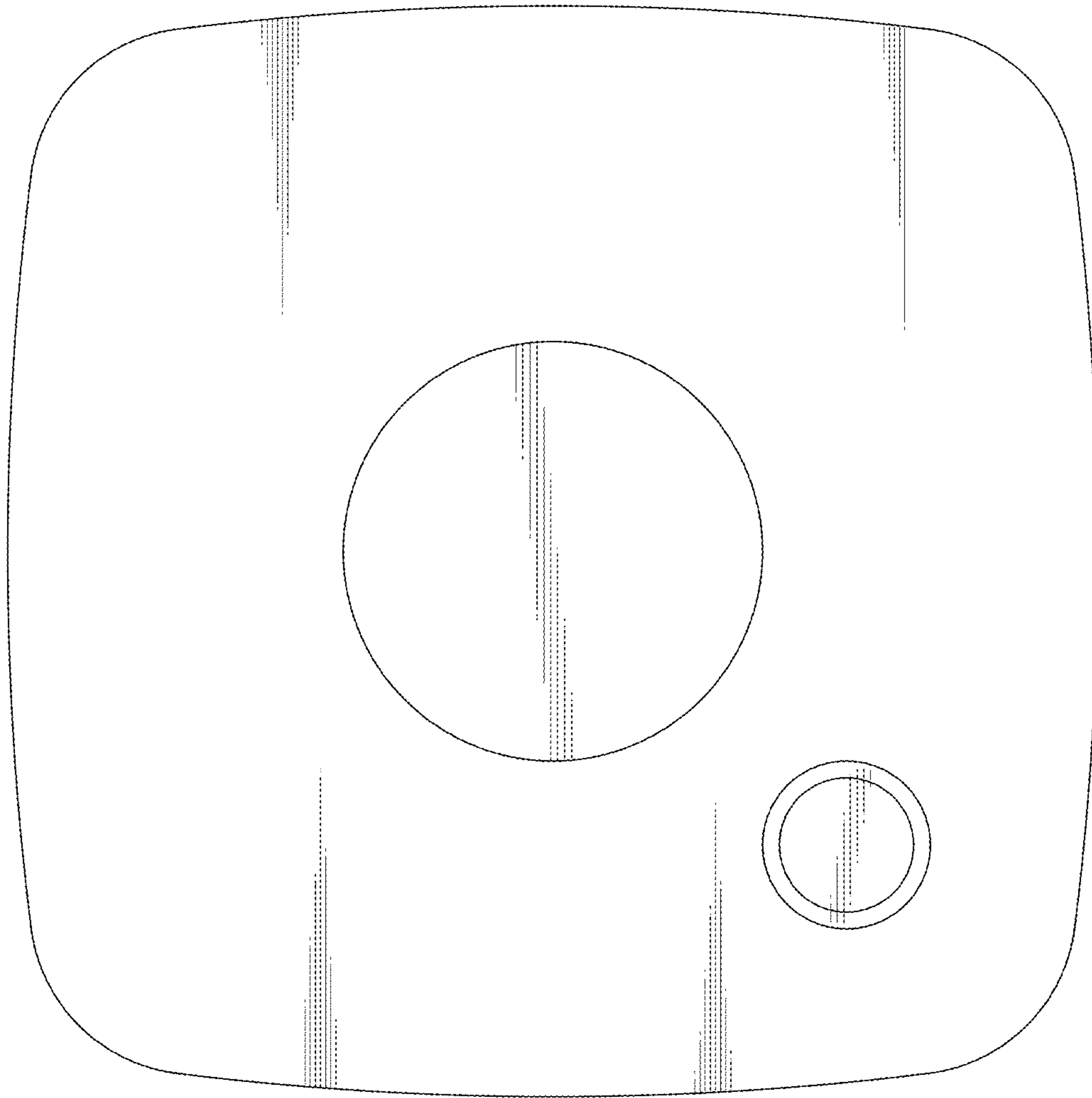


FIG. 20

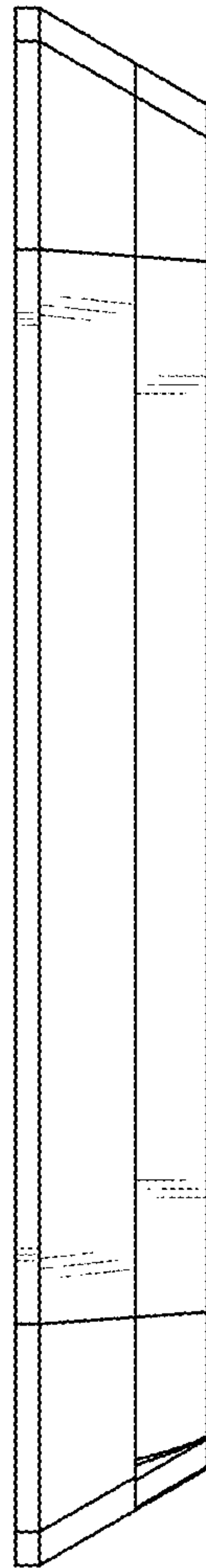


FIG. 21

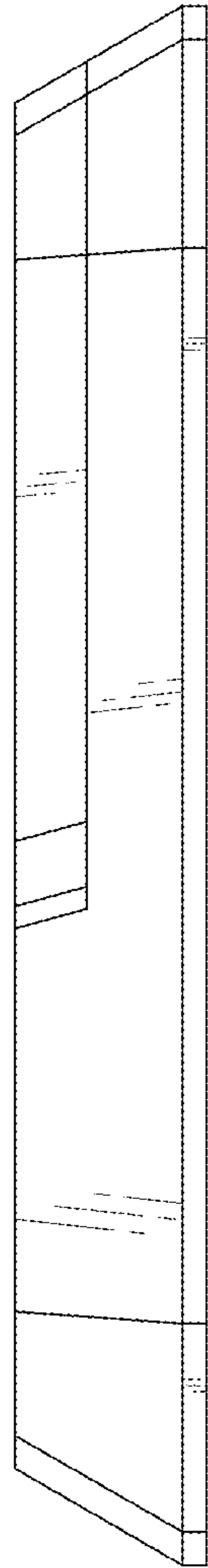


FIG. 22

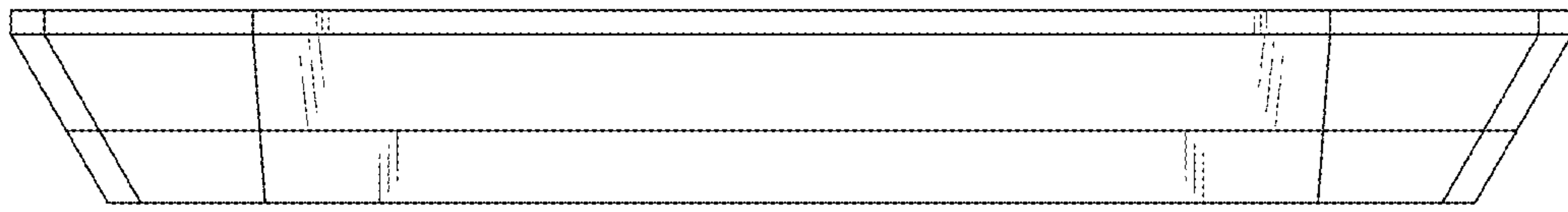


FIG. 23



FIG. 24

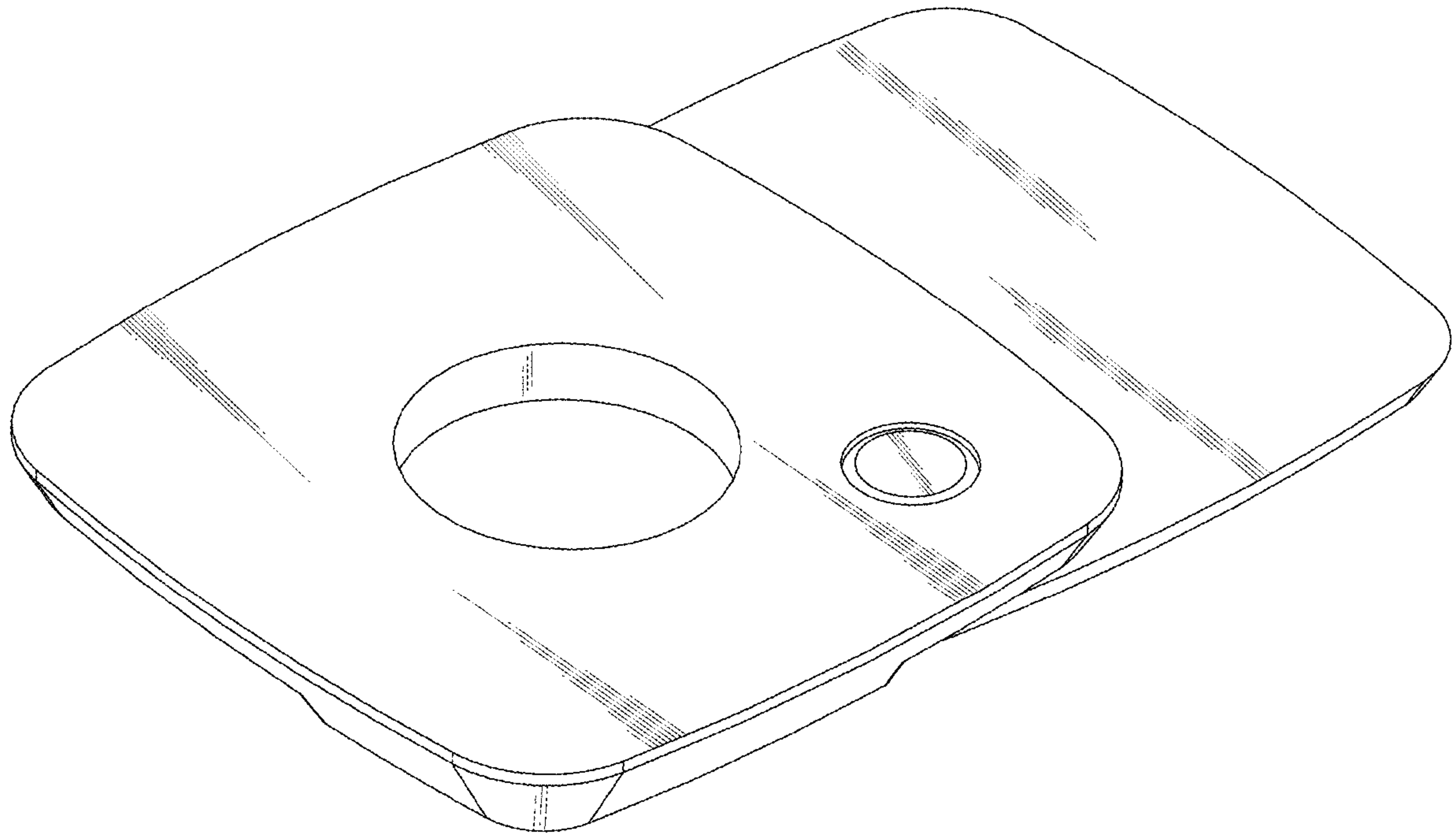


FIG. 25

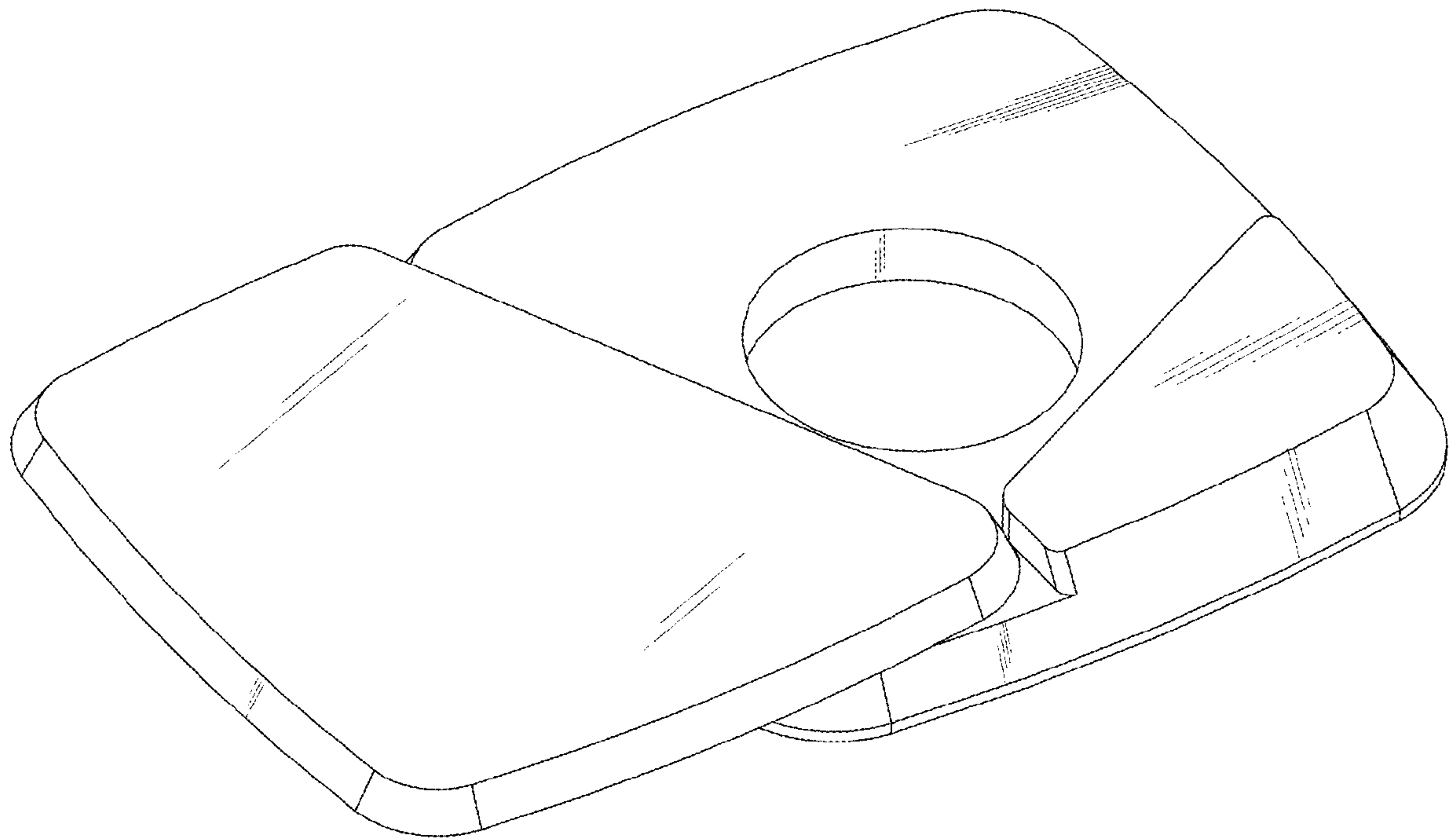


FIG. 26

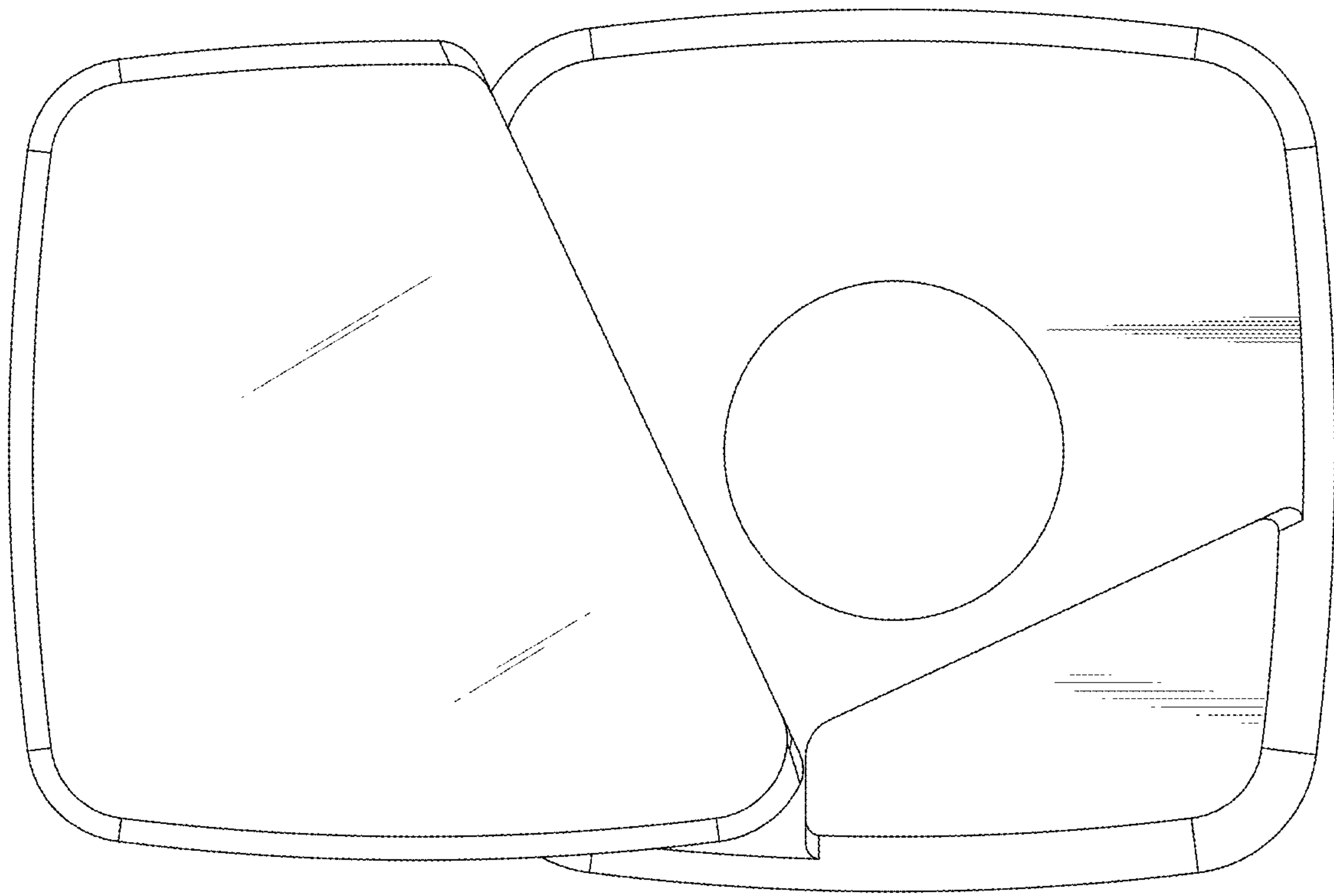


FIG. 27

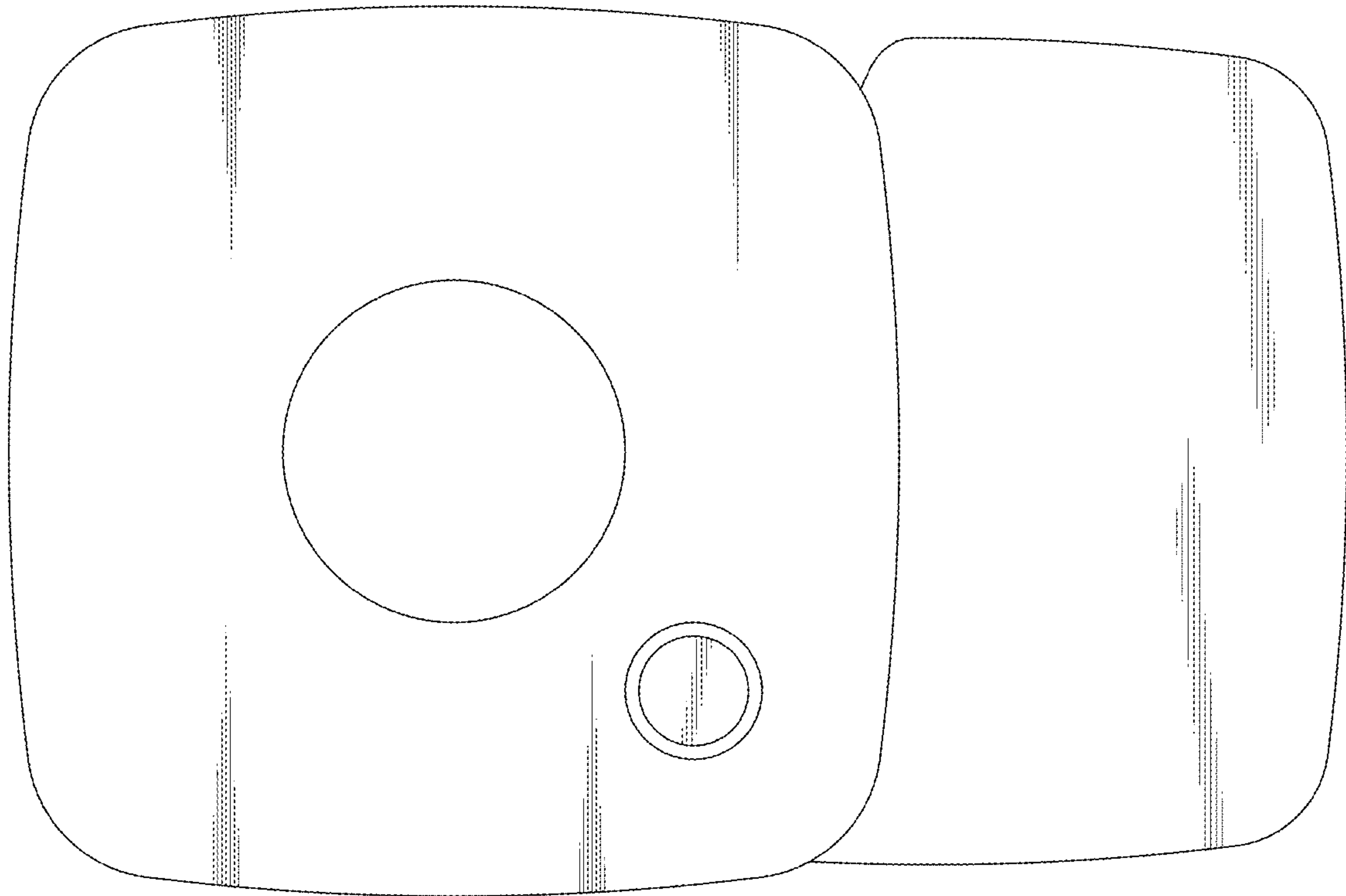


FIG. 28

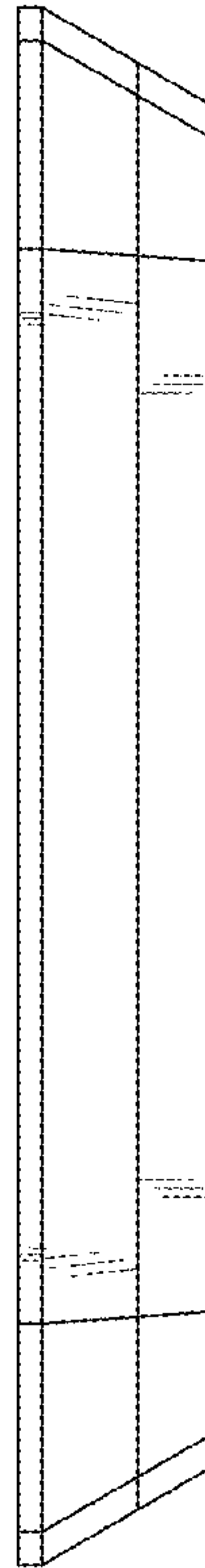


FIG. 29

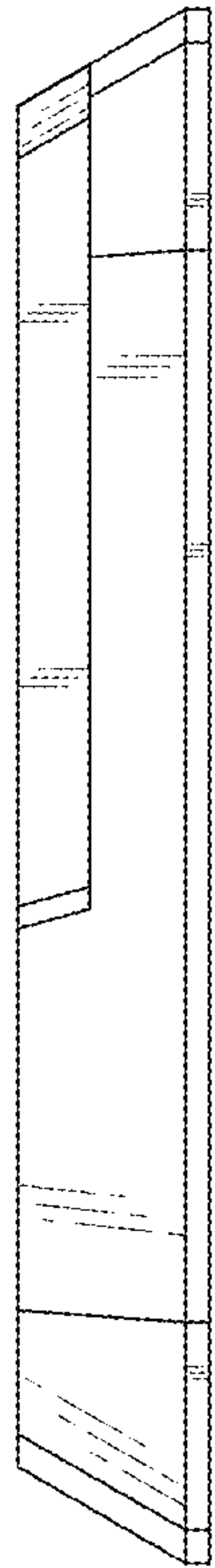


FIG. 30

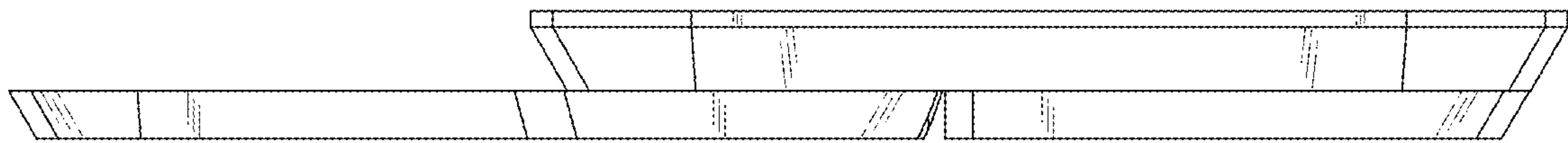


FIG. 31

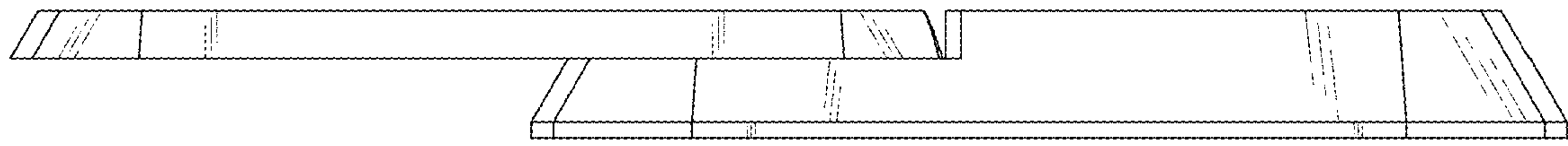


FIG. 32