



US00D909453S

(12) **United States Design Patent**
Yoshida

(10) **Patent No.:** **US D909,453 S**

(45) **Date of Patent:** **** Feb. 2, 2021**

(54) **PROJECTOR**

(71) Applicant: **FUJIFILM Corporation**, Tokyo (JP)

(72) Inventor: **Koji Yoshida**, Saitama (JP)

(73) Assignee: **FUJIFILM Corporation**, Tokyo (JP)

(**) Term: **15 Years**

(21) Appl. No.: **29/697,312**

(22) Filed: **Jul. 8, 2019**

(30) **Foreign Application Priority Data**

Feb. 5, 2019 (JP) 2019-002244

(51) **LOC (13) Cl.** **16-02**

(52) **U.S. Cl.**
USPC **D16/235**

(58) **Field of Classification Search**
USPC D16/221, 222, 225, 235, 237, 242, 245,
D16/136; D8/373, 349, 370, 380;
248/126-127, 917, 919, 346.01; 396/420,
396/422; D14/224
CPC F16M 11/00; F16M 11/04; F16M 11/041;
F16M 11/10; F16M 11/18; G03B 21/54
See application file for complete search history.

(56) **References Cited**

U.S. PATENT DOCUMENTS

D150,044 S * 6/1948 Wolfe D16/221
D218,071 S * 7/1970 Armbruster D16/221
D233,856 S * 12/1974 Kira D16/221
D257,388 S * 10/1980 Jordan D16/221
D276,165 S * 10/1984 Spilman D16/221
D298,011 S * 10/1988 Jans D8/349
D468,335 S * 1/2003 Goto D16/221

D543,229 S * 5/2007 Hochendoner D16/235
D574,407 S * 8/2008 Dittmer D16/235
2008/0179475 A1* 7/2008 Whitley F16M 11/18
248/218.4
2015/0286117 A1* 10/2015 Sung F16M 11/041
224/191

* cited by examiner

Primary Examiner — Wan Laymon

(74) *Attorney, Agent, or Firm* — Studebaker & Brackett
PC

(57) **CLAIM**

The ornamental design for a projector, as shown and described.

DESCRIPTION

FIG. 1 is a top and left perspective view of a projector whose stand legs are closed, showing my new design;
FIG. 2 is a front view thereof;
FIG. 3 is a rear view thereof;
FIG. 4 is a top plan view thereof;
FIG. 5 is a bottom plan view thereof;
FIG. 6 is a right side view thereof;
FIG. 7 is a left side view thereof;
FIG. 8 is a top and left perspective view of a projector whose stand legs are opened, showing my new design; and,
FIG. 9 is an enlarged perspective view indicating condition that two stands are joined back to back.
The broken lines illustrate portions of the projector and form no part of the claimed design. The design of the projector has legs which transition from the closed condition to the open condition and vice versa, wherein the transition forms no part of the claimed design.

1 Claim, 8 Drawing Sheets

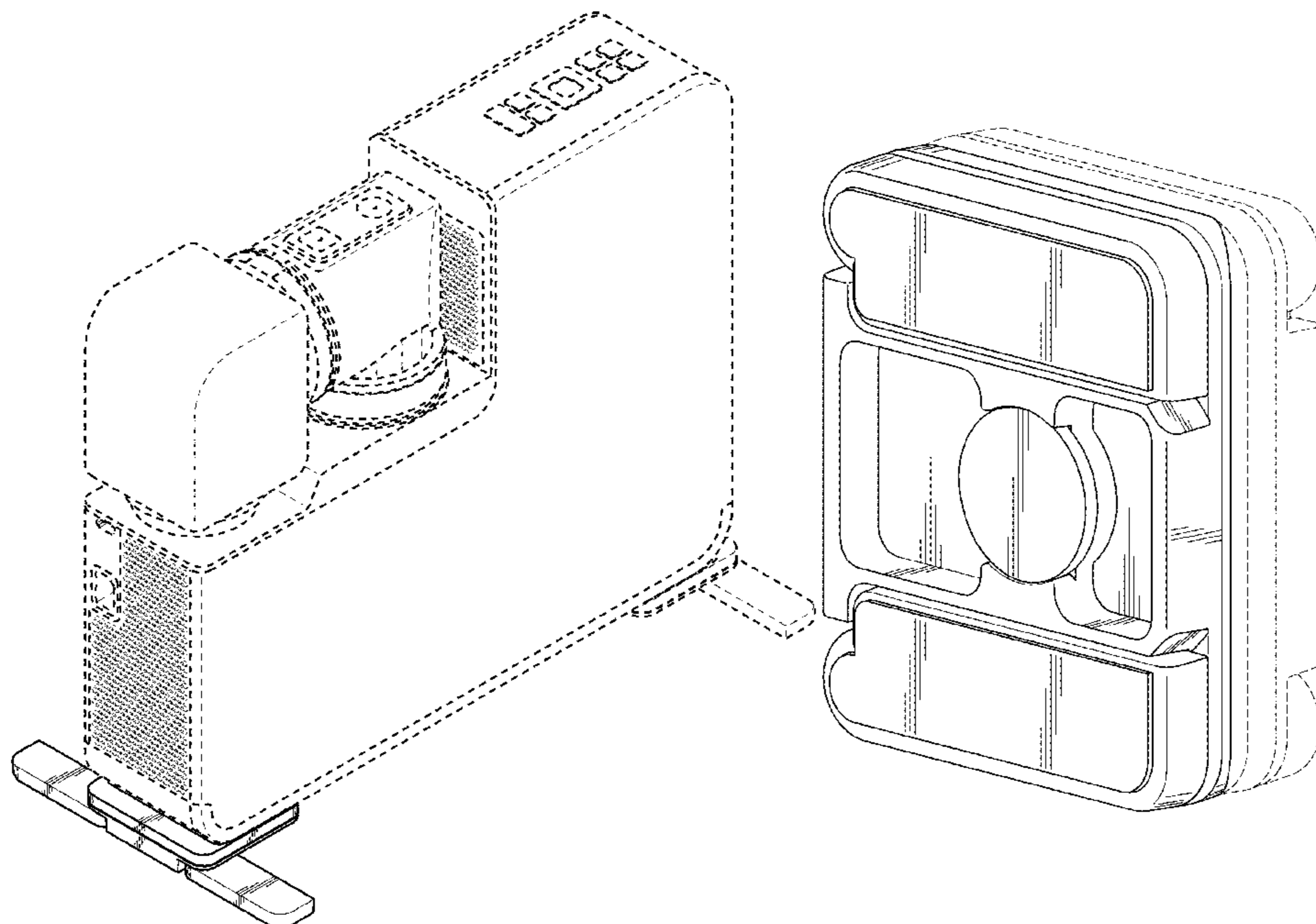


FIG. 1

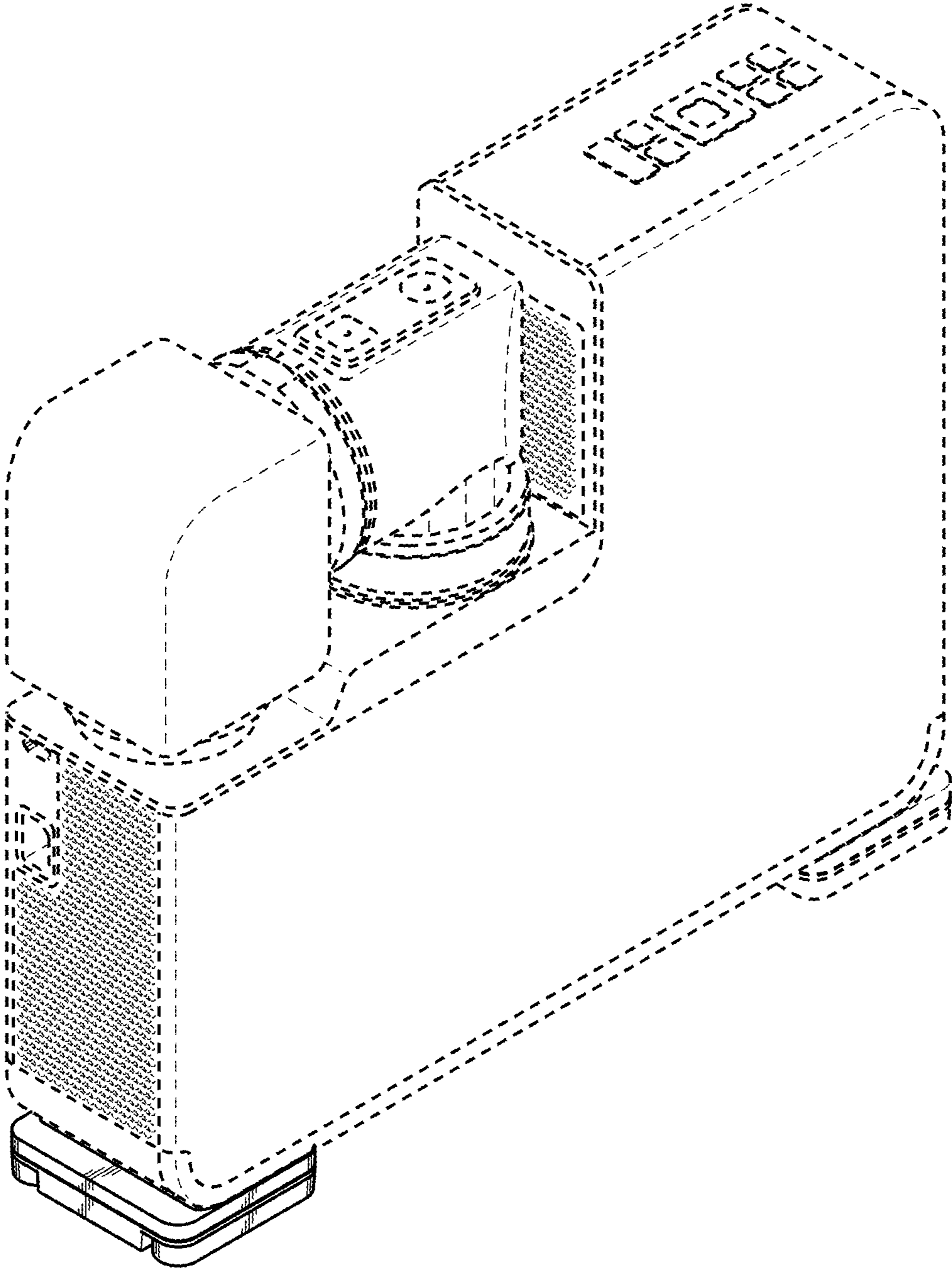


FIG. 2

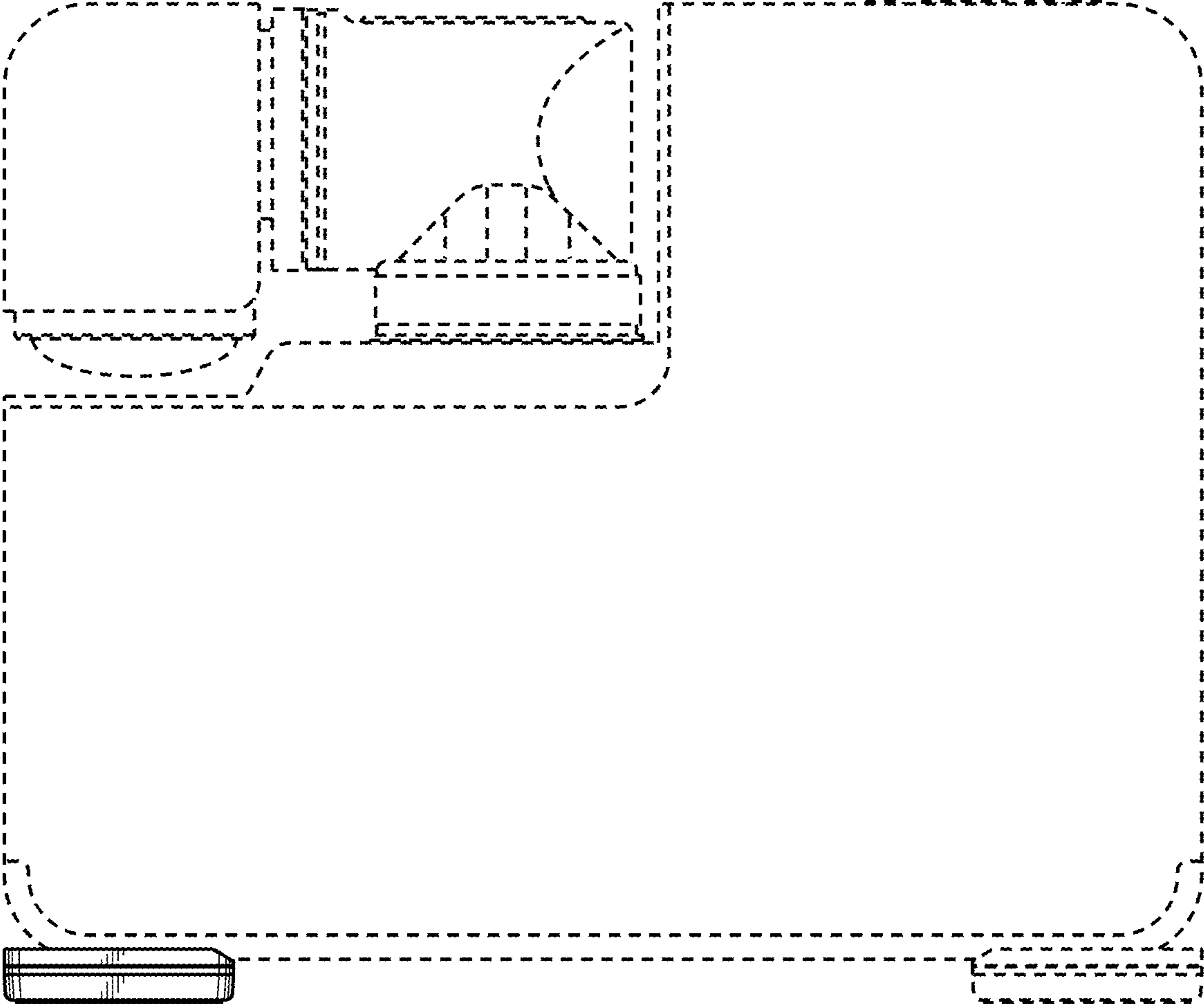


FIG. 3

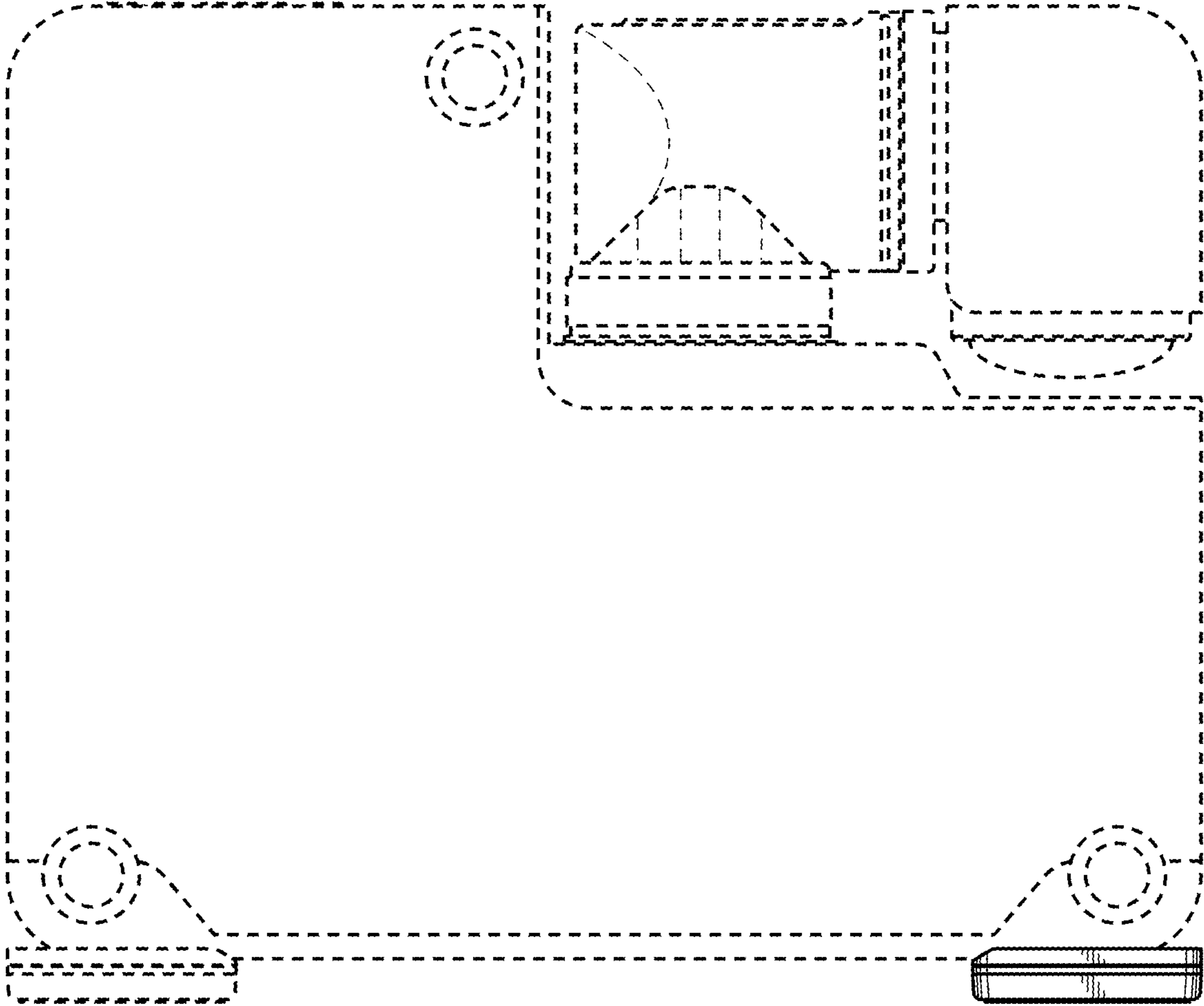


FIG. 4

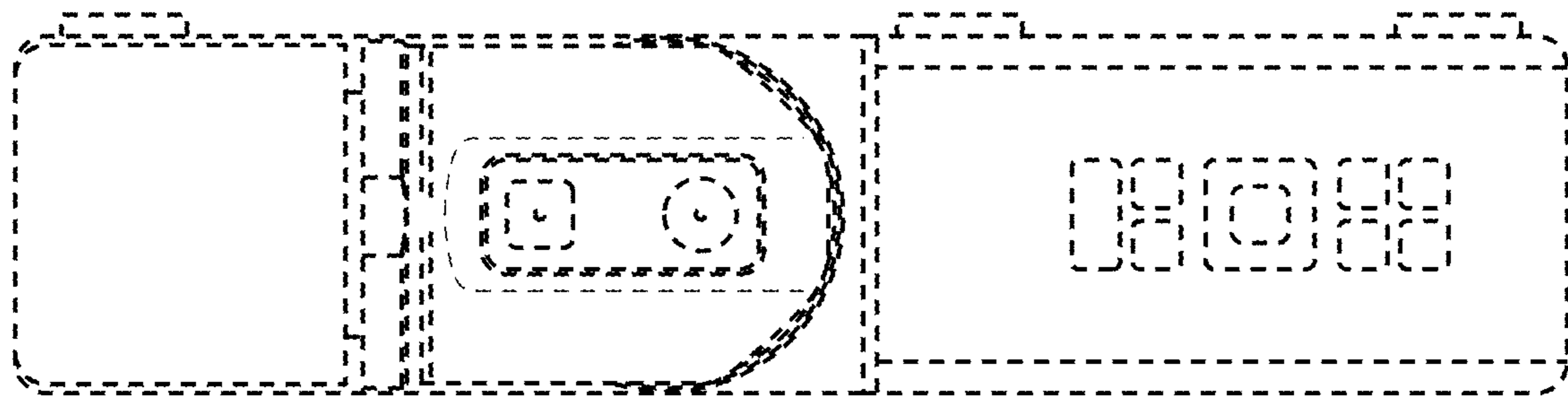


FIG. 5



FIG. 6

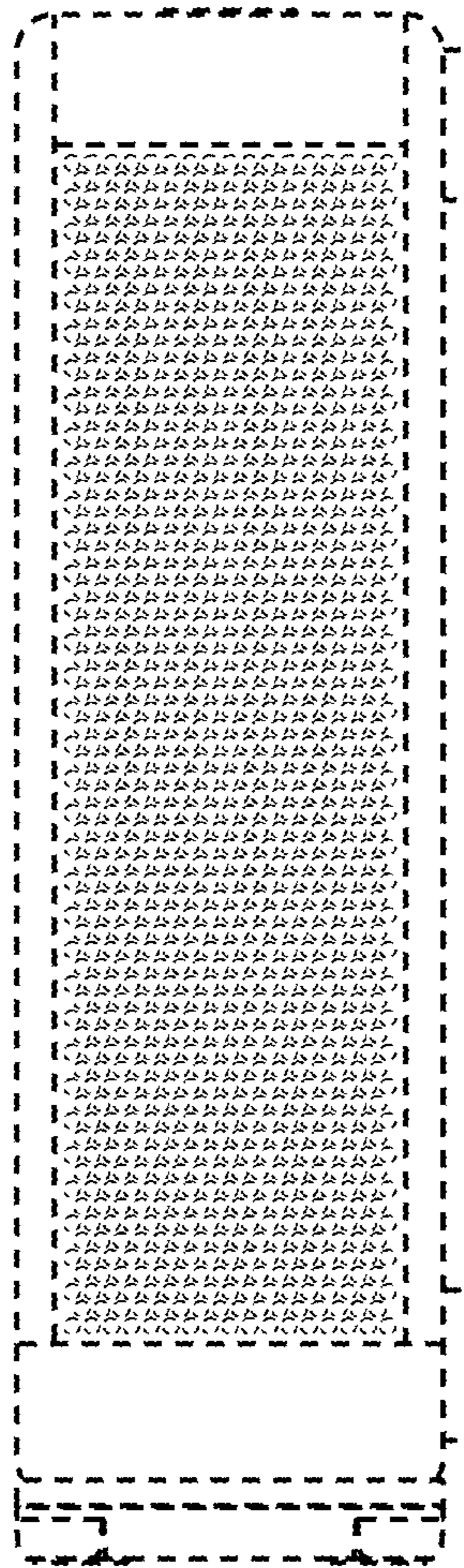


FIG. 7

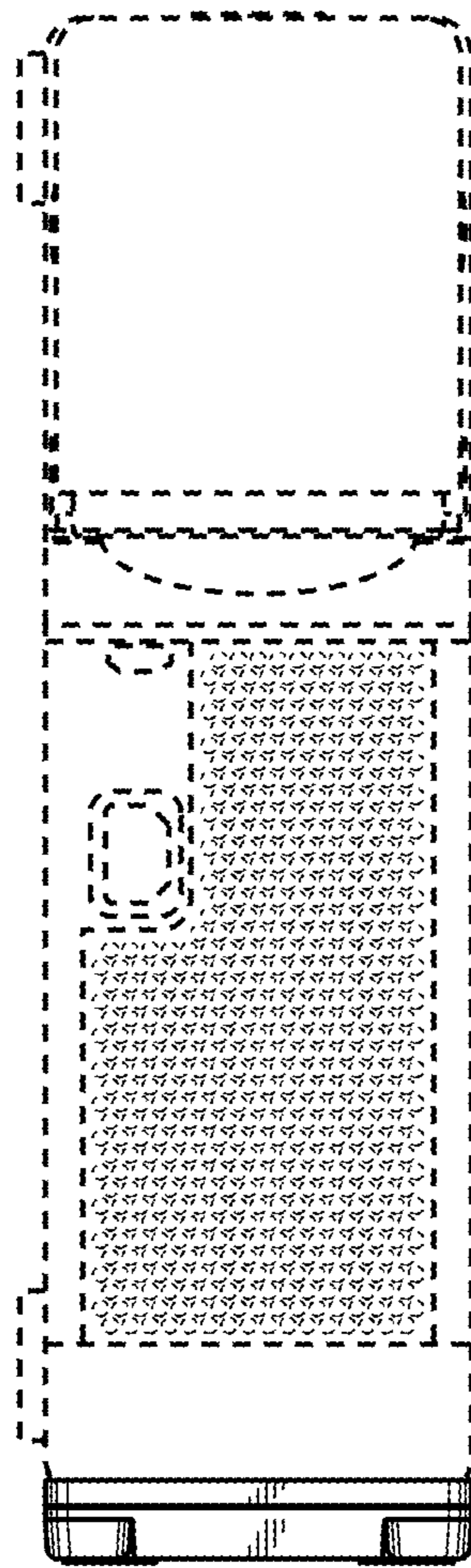


FIG. 8

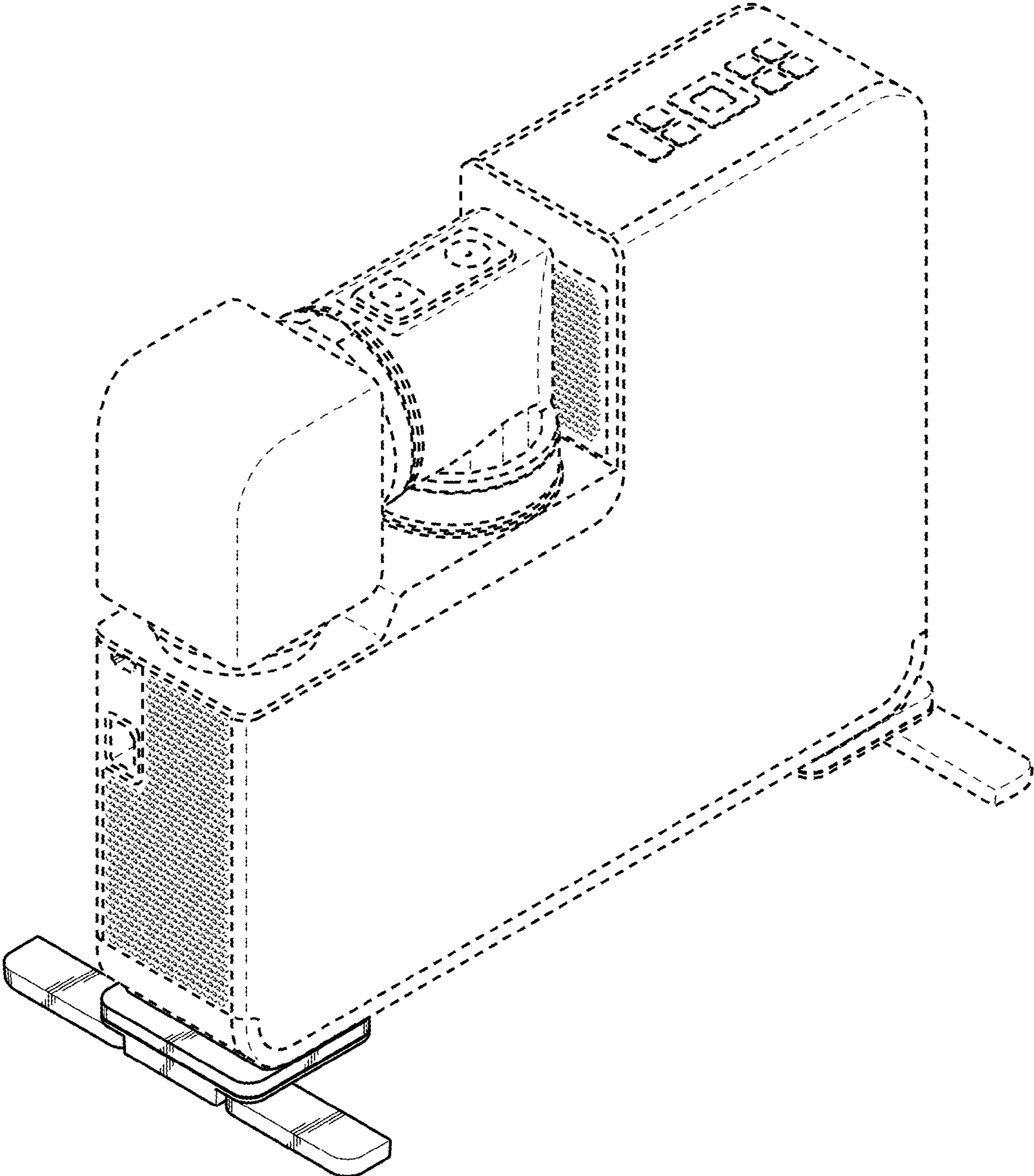


FIG. 9

