



US00D909452S

(12) **United States Design Patent** (10) **Patent No.:** **US D909,452 S**
Sheng et al. (45) **Date of Patent:** **** Feb. 2, 2021**

(54) **CAMERA**

(71) Applicant: **AVISION INC.**, Hsinchu (TW)

(72) Inventors: **Shao-Lan Sheng**, Hsinchu (TW);
Chao-Yu Peng, Hsinchu (TW)

(73) Assignee: **AVISION INC.**, Hsinchu (TW)

(**) Term: **15 Years**

(21) Appl. No.: **29/728,022**

(22) Filed: **Mar. 16, 2020**

Related U.S. Application Data

(60) Continuation of application No. 29/710,290, filed on Oct. 22, 2019, now abandoned, which is a division of application No. 29/631,820, filed on Jan. 3, 2018, now Pat. No. Des. 870,184.

(51) **LOC (13) Cl.** **16-05**

(52) **U.S. Cl.**
USPC **D16/219**; D16/243; D32/34

(58) **Field of Classification Search**
USPC D16/200–220, 131, 237, 242, 239, 250, D16/235, 130, 134, 136, 238; D14/138 C, 240, 248, 203.1, 203.3, 203.7, D14/218, 207, 420, 426; D10/104.1, 50, D10/65, 74, 70, 118.2; D26/28, 29, 34, D26/51, 52, 60, 61, 722, 37, 41, 49, 50, D26/48; D3/260, 318, 268, 276, 282, D3/291, 12, 240, 246, 307; D30/109, D30/104, 106, 107; D22/136; D32/17, D32/18, 34, 52, 72; D23/233, 226; D8/65–70, 73, 97, 107, 303
CPC . G02B 7/02; G02B 7/021; G02B 7/04; G02B 7/14; G02B 7/003; G03B 17/00; G03B 17/02; G03B 17/56; G03B 17/04; G03B 17/14; G03B 17/08; G03B 15/03; G03B 15/06; H04N 5/2251; H04N 5/2252; H04N 5/2253; H04N 5/2254; H04N 7/00; H04N 2101/00; F16M 13/00

See application file for complete search history.

(56) **References Cited**

U.S. PATENT DOCUMENTS

D147,783 S 11/1947 Crosby et al.
D199,540 S 11/1964 Rhoades et al.
D236,029 S * 7/1975 Land et al. D16/243
D284,309 S * 6/1986 Schosser D26/48
D291,838 S 9/1987 Tung
D294,643 S * 3/1988 Arita D26/48
5,073,789 A 12/1991 Mumpower
D336,229 S 6/1993 Bunyea
D351,478 S 10/1994 Welton
D353,055 S 12/1994 Kish et al.
D357,086 S 4/1995 Poon

(Continued)

FOREIGN PATENT DOCUMENTS

CN 304572483 4/2018

Primary Examiner — George D. Kirschbaum

Assistant Examiner — Mary Claire Ramirez

(74) *Attorney, Agent, or Firm* — WPAT, PC

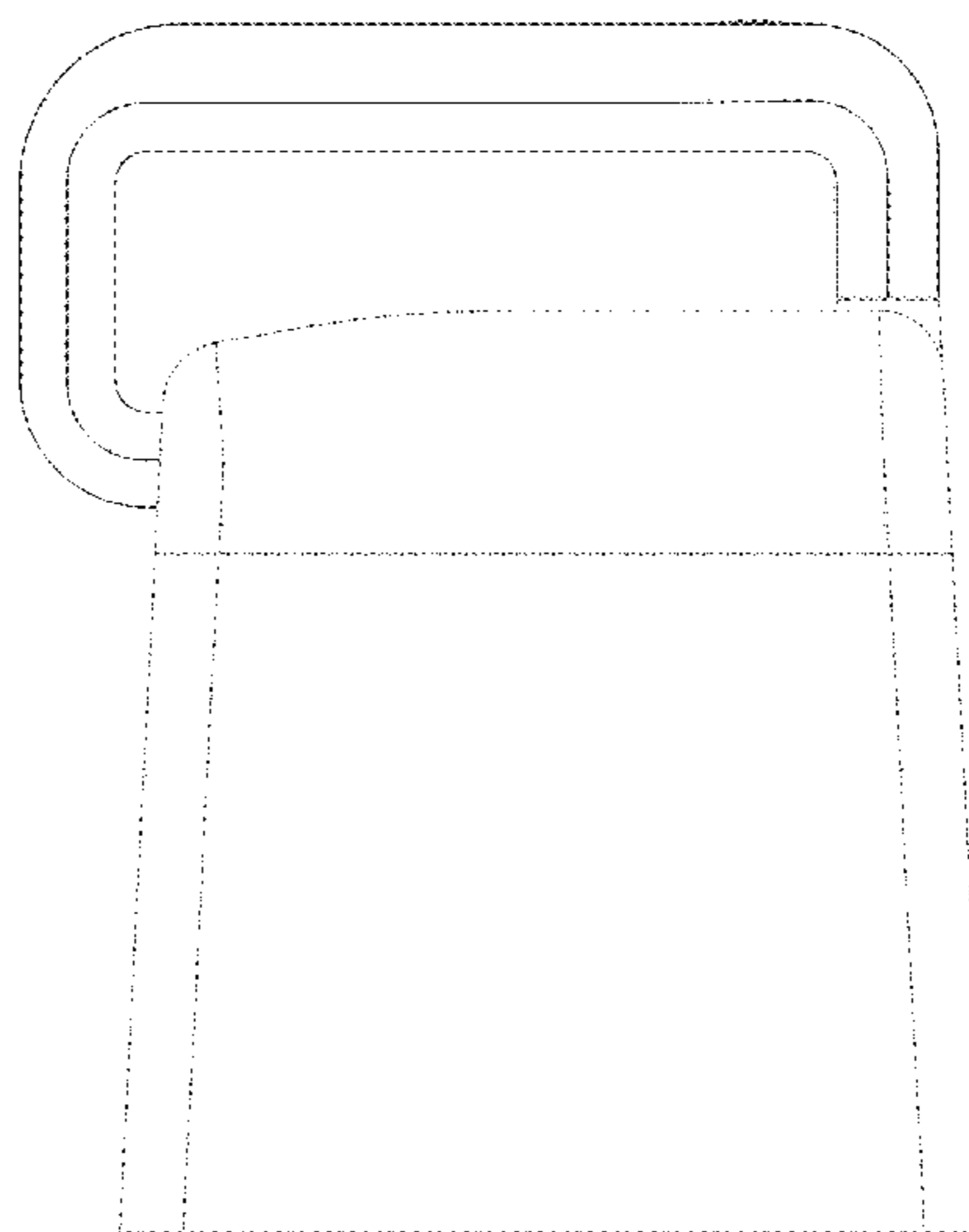
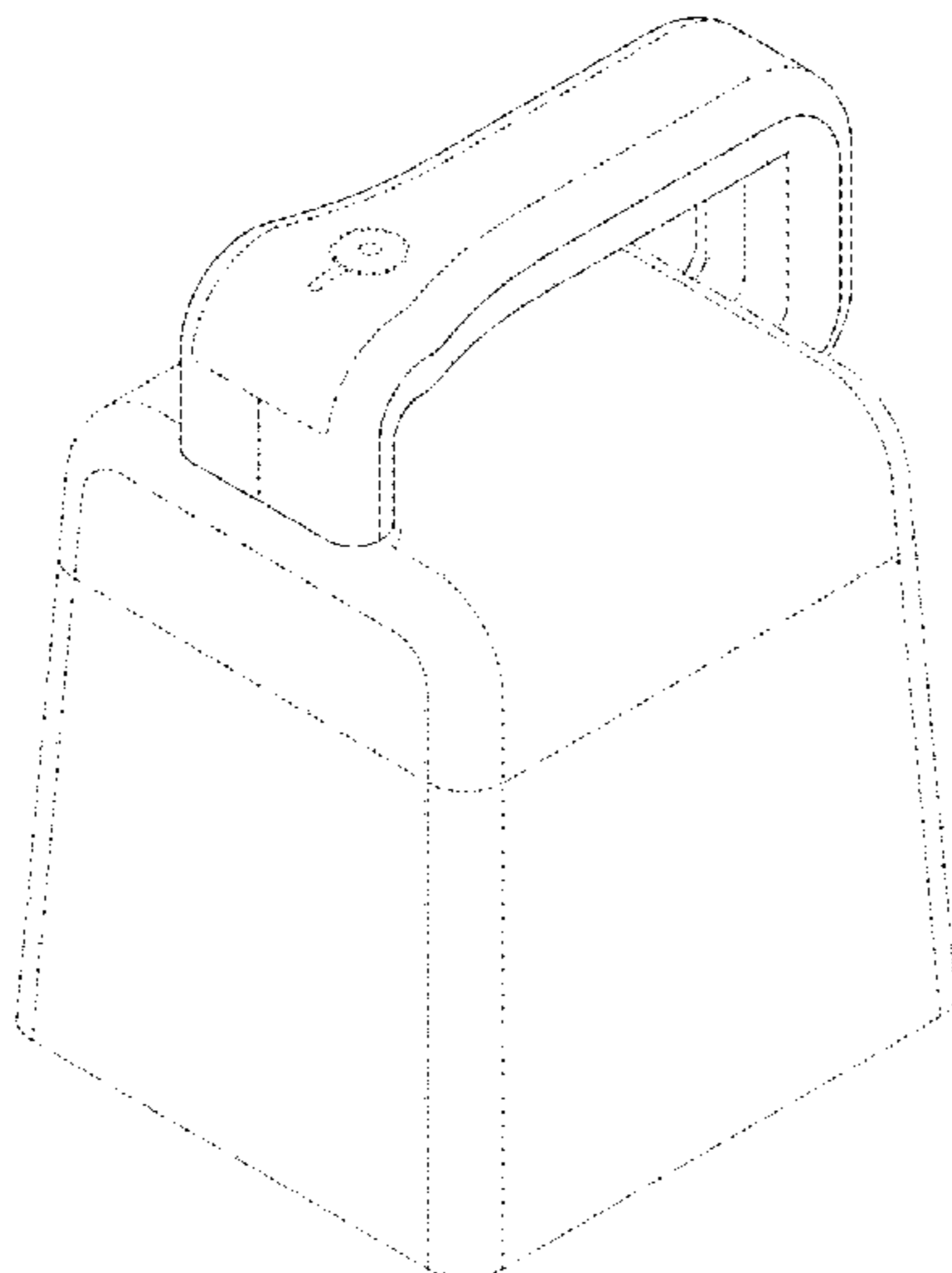
(57) **CLAIM**

The ornamental design for a camera, as shown and described.

DESCRIPTION

FIG. 1 is a top perspective view of a camera showing the new design;
FIG. 2 is a front view thereof;
FIG. 3 is a rear view thereof;
FIG. 4 is a left side elevational view thereof;
FIG. 5 is a right side elevational view thereof;
FIG. 6 is a top plan view thereof; and,
FIG. 7 is a bottom plan view thereof.
The broken lines depict portions of the camera that form no part of the claimed design.

1 Claim, 7 Drawing Sheets



(56)

References Cited

U.S. PATENT DOCUMENTS

D360,043 S * 7/1995 Inukai D26/48
D372,927 S 8/1996 Elmore et al.
D389,594 S 1/1998 Poon
D390,679 S * 2/1998 Chang D26/38
D394,322 S 5/1998 Dalton et al.
D443,675 S 6/2001 Howard et al.
D447,760 S 9/2001 Lantz
D605,797 S * 12/2009 Baker D26/48
D663,182 S 7/2012 Schoening et al.
D752,793 S 3/2016 Ng
D797,335 S 9/2017 Brown et al.
D809,564 S 2/2018 Boren et al.
D810,178 S 2/2018 Miyamoto et al.
D827,956 S 9/2018 Spratt et al.
D857,786 S 8/2019 Kim et al.
D863,411 S 10/2019 Liao
D866,647 S 11/2019 Kim et al.
D868,877 S 12/2019 Lin et al.
D870,184 S 12/2019 Sheng et al.
2019/0204715 A1 7/2019 Sheng
2019/0204720 A1 7/2019 Sheng

* cited by examiner

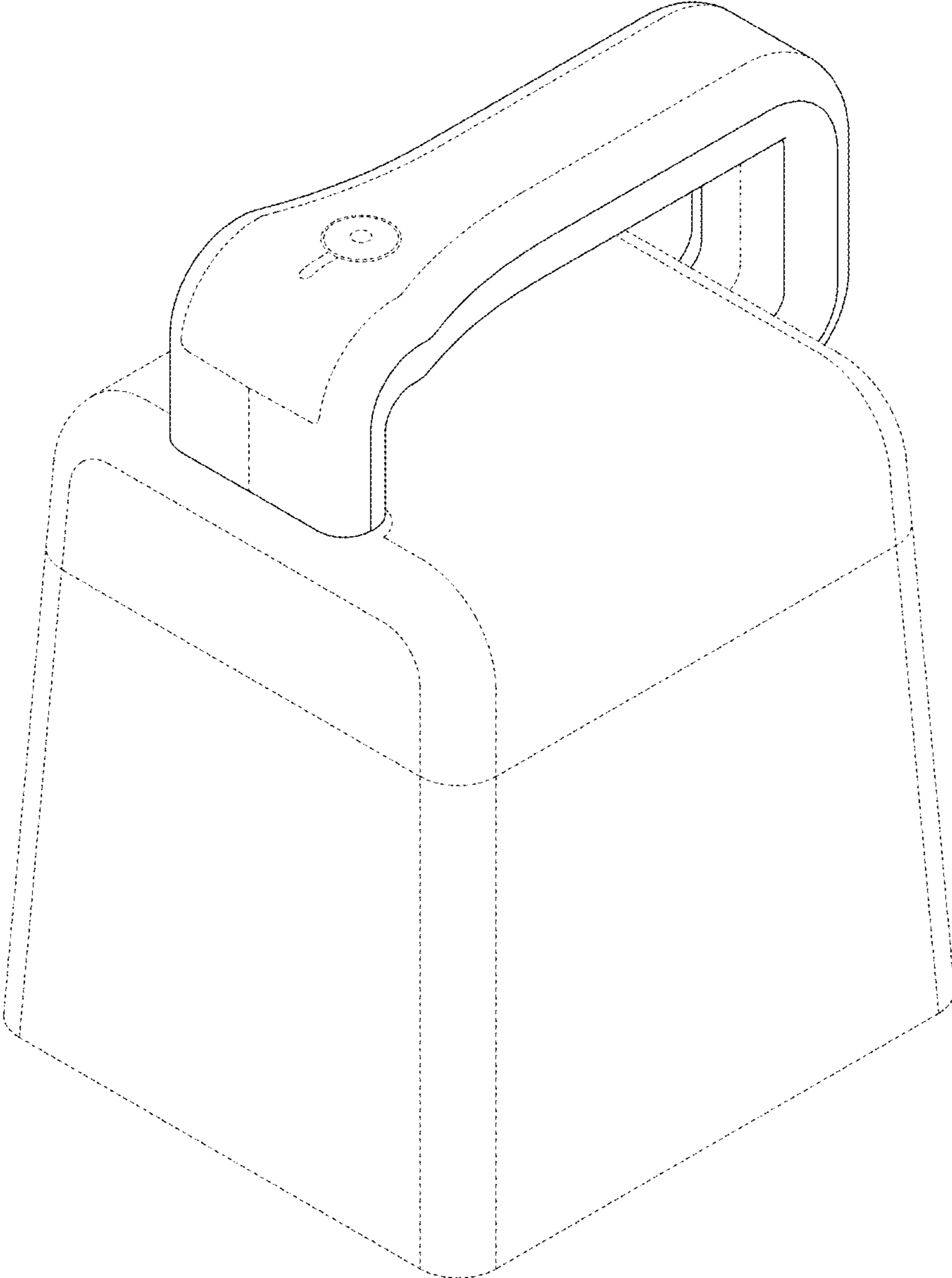


FIG. 1

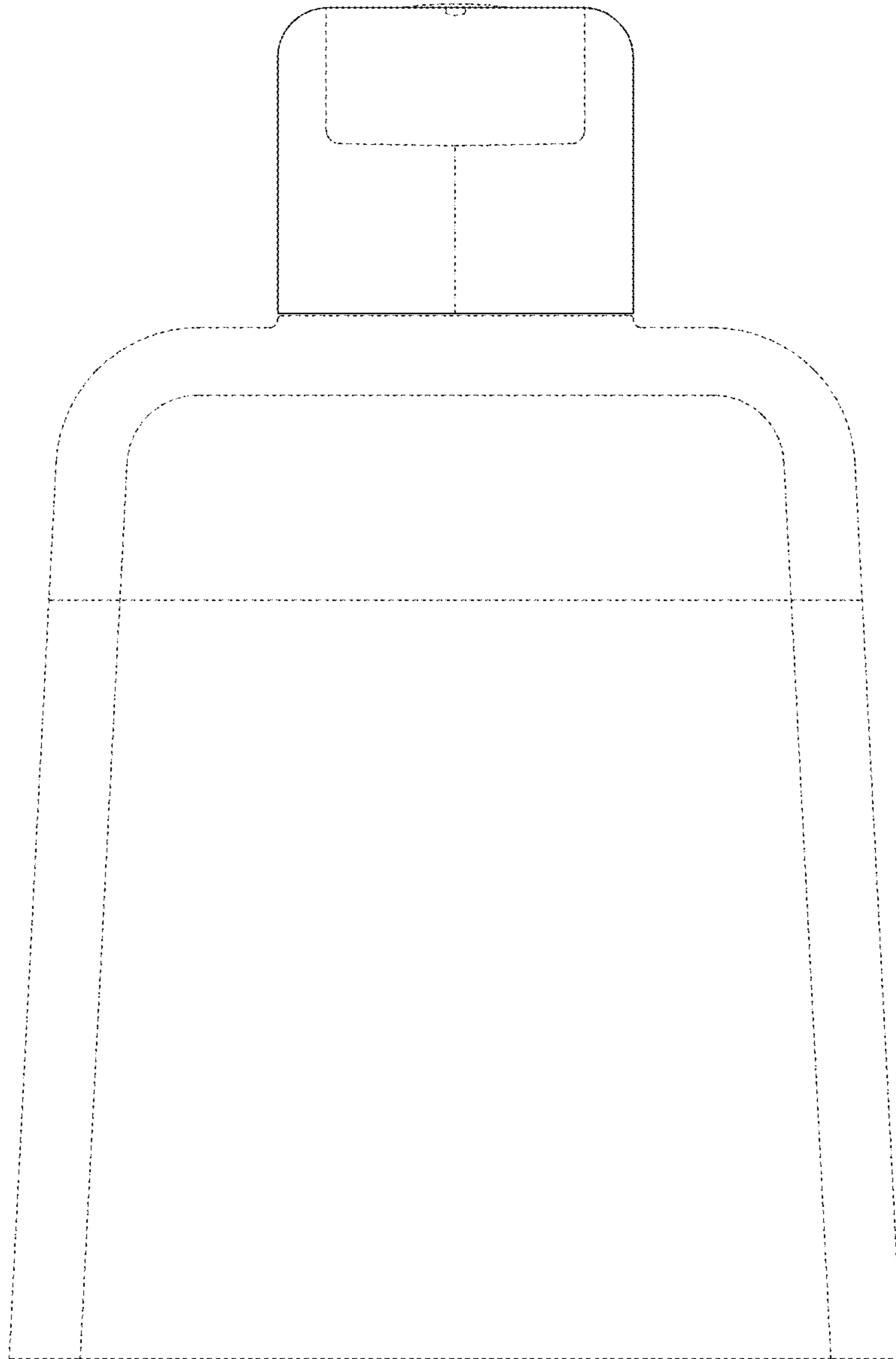


FIG. 2

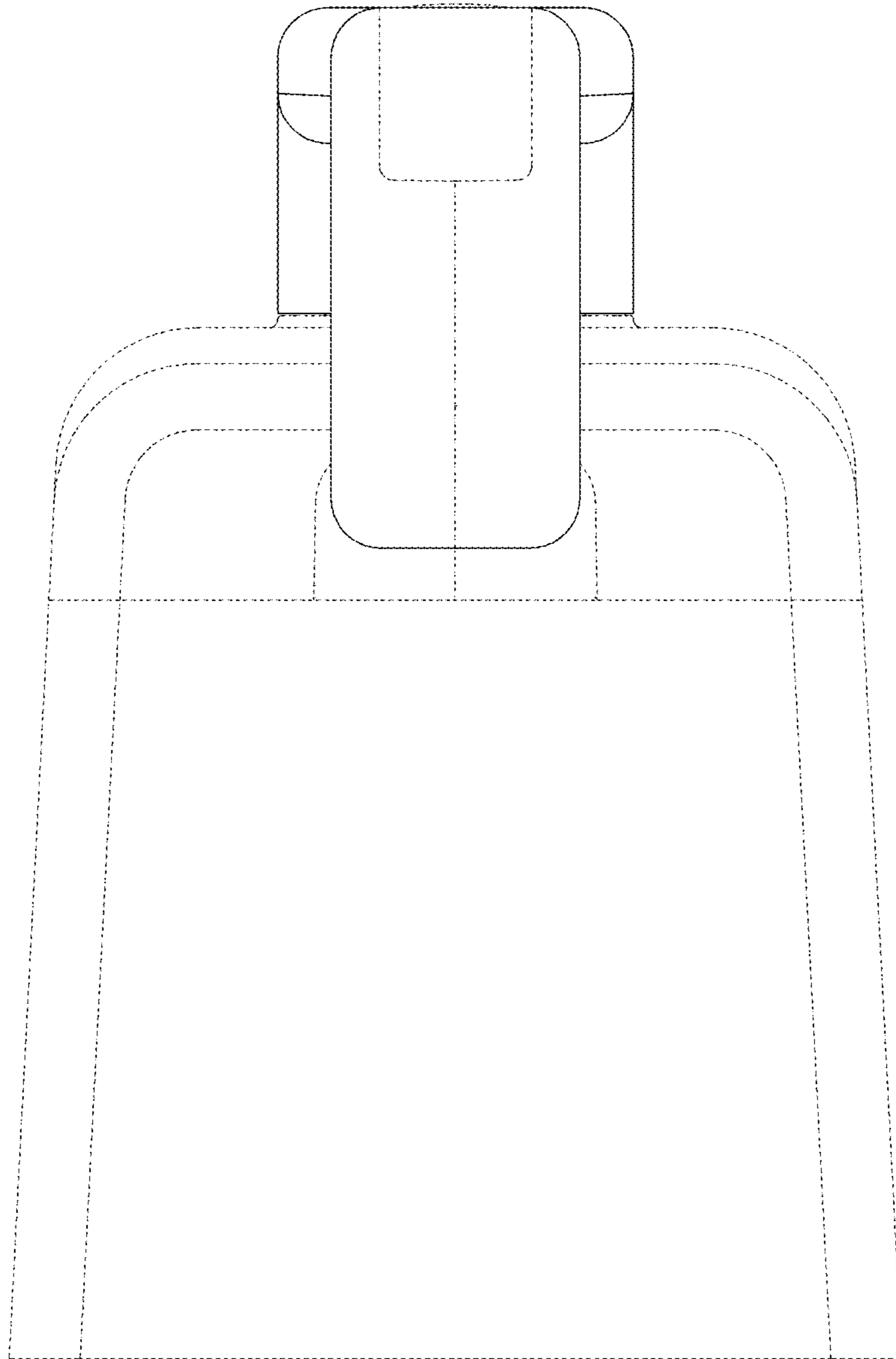


FIG. 3

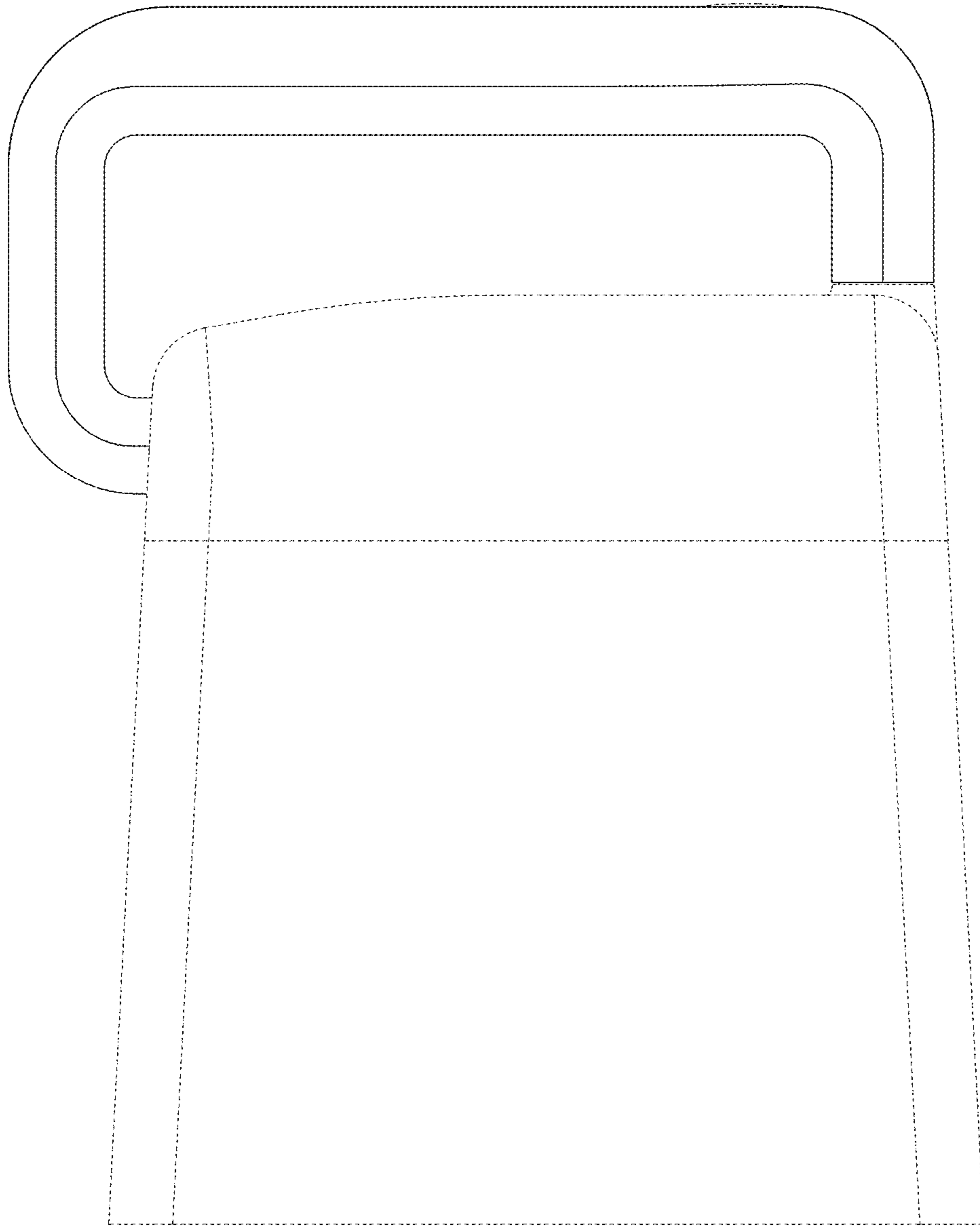


FIG. 4

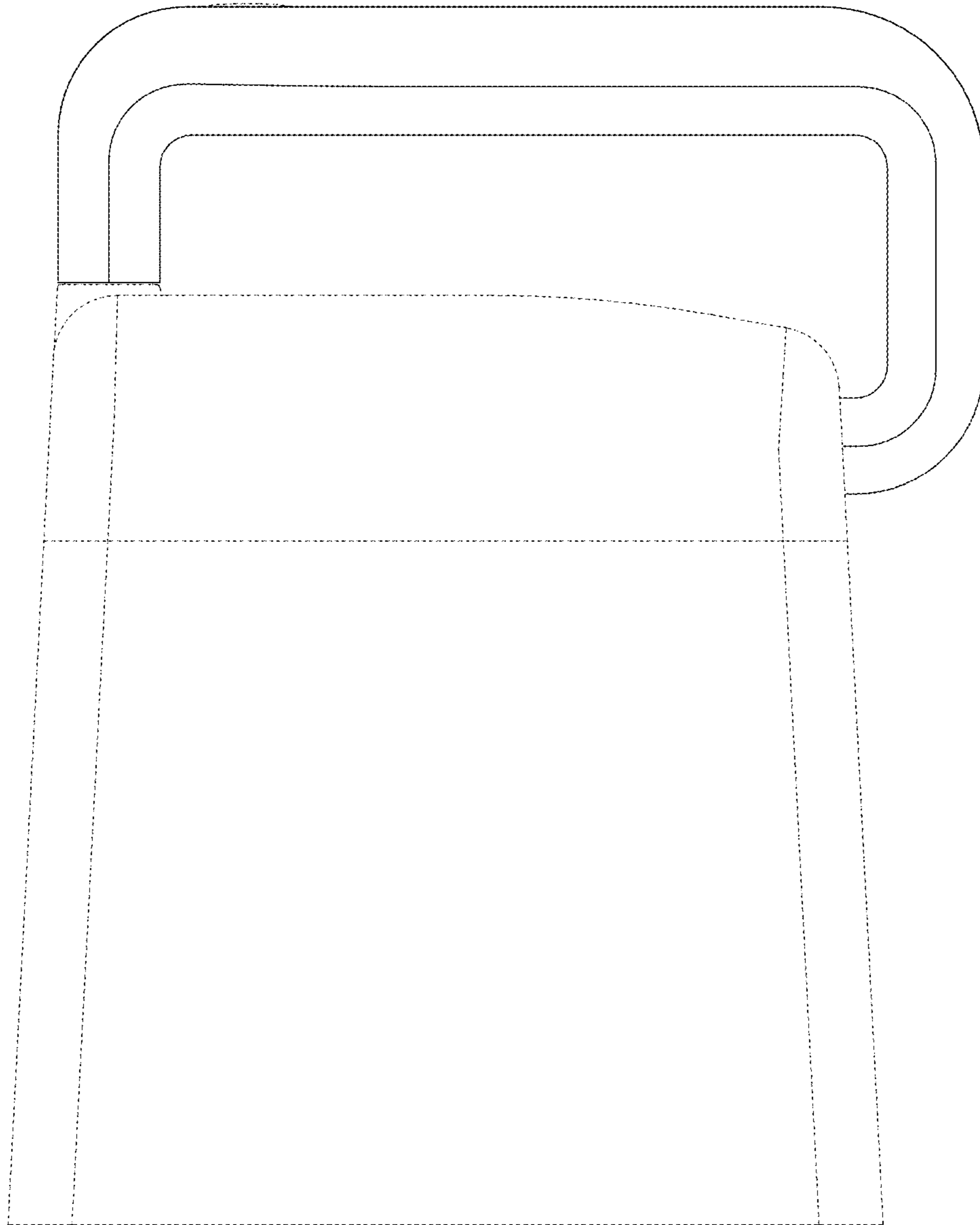


FIG. 5

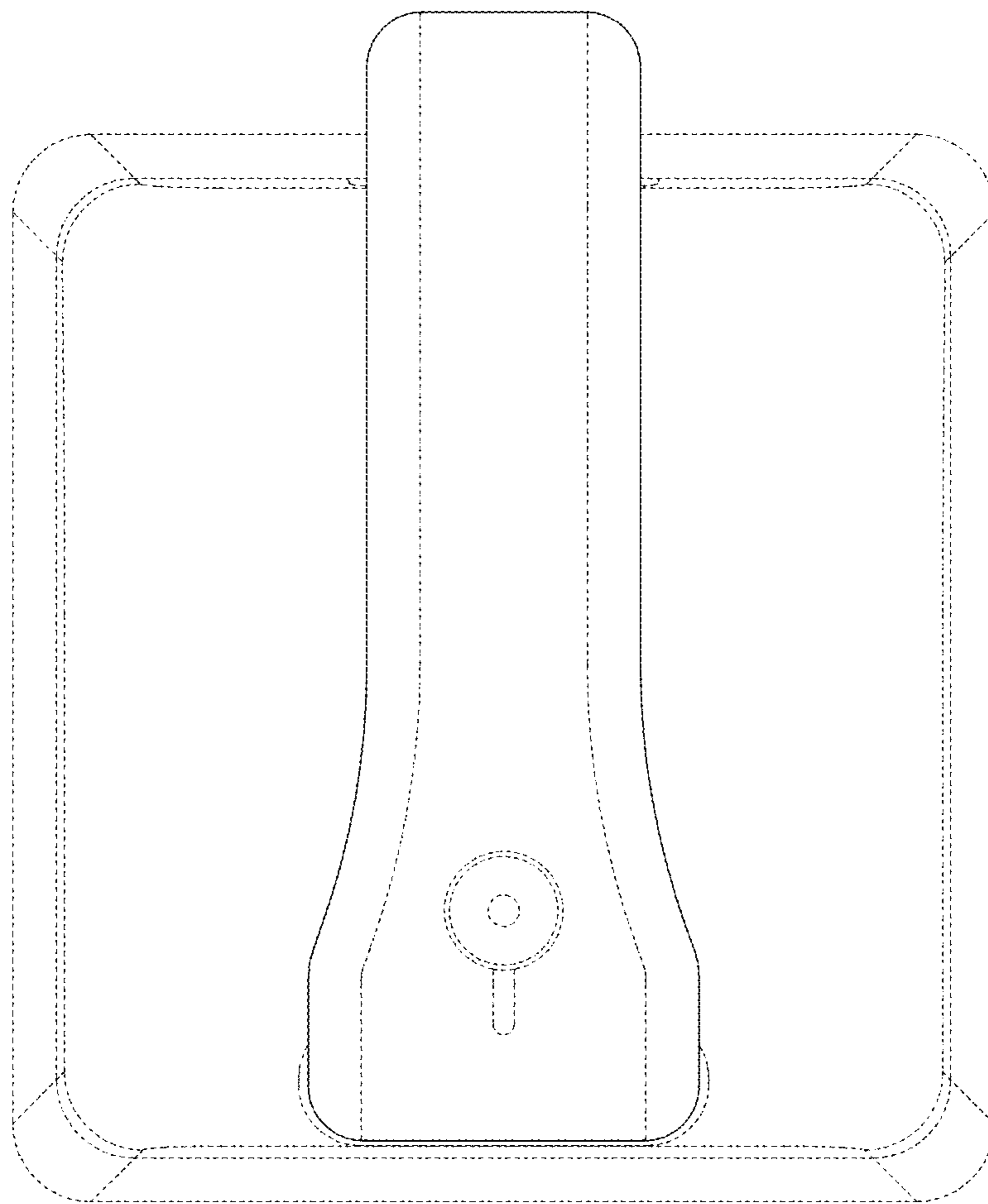


FIG. 6

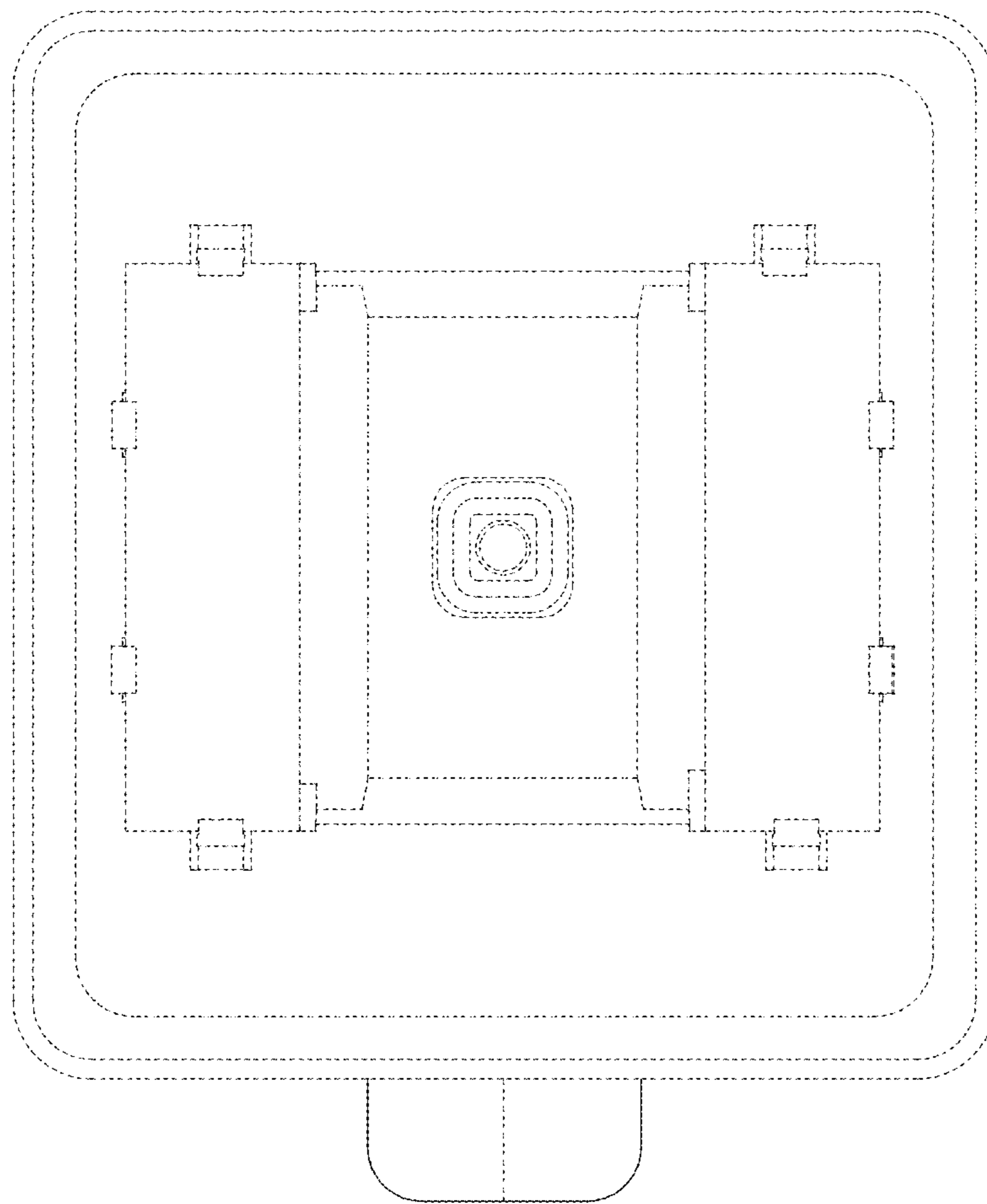


FIG. 7