



US00D909451S

(12) **United States Design Patent**
Hamlin

(10) **Patent No.:** **US D909,451 S**

(45) **Date of Patent:** **** Feb. 2, 2021**

(54) **PORTABLE VEHICLE CAMERA**
(71) Applicant: **Gentex Corporation**, Zeeland, MI (US)
(72) Inventor: **Bradley R. Hamlin**, Allendale, MI (US)
(73) Assignee: **GENTEX CORPORATION**, Zeeland, MI (US)

(**) Term: **15 Years**
(21) Appl. No.: **29/719,531**

(22) Filed: **Jan. 6, 2020**
(51) **LOC (13) Cl.** **16-01**
(52) **U.S. Cl.**
USPC **D16/208**; D16/218
(58) **Field of Classification Search**
USPC D16/200–208, 210, 214, 218, 219, 242;
348/373–376; 396/419, 427, 428, 535,
396/539–541
CPC G03B 15/03; G03B 17/02; G03B 17/04;
G03B 17/56; G03B 19/04; H04N 5/2251;
H04N 5/2252; H04N 5/2253; H04N
5/2254; H04N 2101/00
See application file for complete search history.

(56) **References Cited**
U.S. PATENT DOCUMENTS
D671,584 S * 11/2012 Ohno D16/202
D713,439 S * 9/2014 Zhang D16/210
D743,472 S * 11/2015 Tanifuji D16/219
D745,588 S * 12/2015 Cho D16/218
D749,162 S 2/2016 Roth et al.

D754,235 S 4/2016 Fish, Jr. et al.
D789,999 S * 6/2017 Yakabe D16/200
D795,162 S * 8/2017 Kwon D12/400
D840,851 S * 2/2019 Ammar D10/104.1
D849,082 S * 5/2019 Boling D16/202
D849,098 S * 5/2019 Kapuria D16/208
D849,817 S * 5/2019 Wang D16/218
D878,448 S * 3/2020 Kapuria D16/208
D884,054 S * 5/2020 Mihara D16/208

* cited by examiner

Primary Examiner — Ramzi S Almatrahi
(74) *Attorney, Agent, or Firm* — Price Heneveld LLP;
Bradley D. Johnson

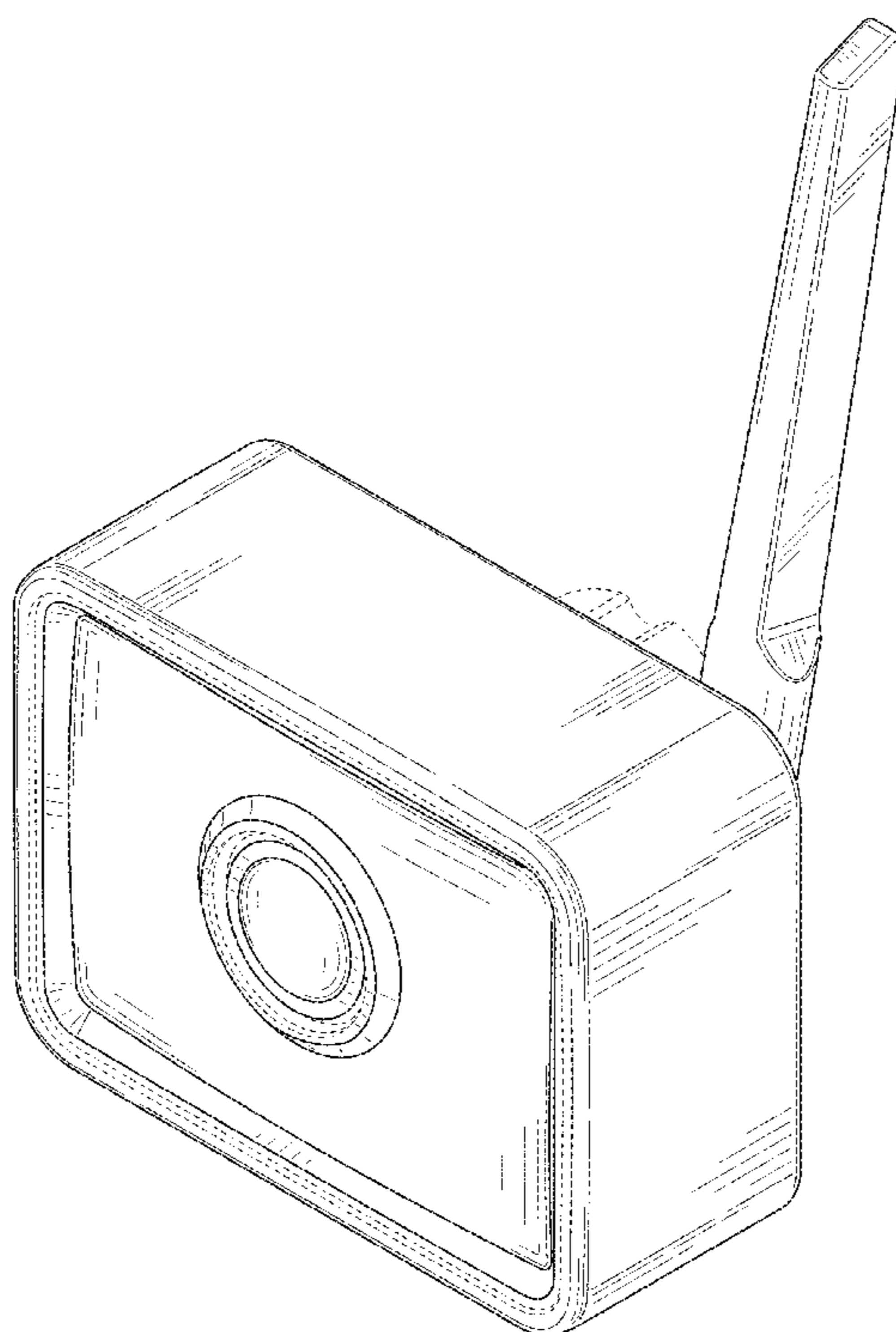
(57) **CLAIM**

The ornamental design for a portable vehicle camera, as shown and described.

DESCRIPTION

FIG. 1 is a perspective view of a portable vehicle camera showing my new design;
FIG. 2 is a front elevation view thereof;
FIG. 3 is a back elevation view thereof;
FIG. 4 is a left side elevation view thereof;
FIG. 5 is a right side elevation view thereof;
FIG. 6 is a top plan view thereof; and,
FIG. 7 is a bottom plan view thereof.
The broken lines depict portions of the portable vehicle camera in which the design is embodied that form no part of the claimed design.

1 Claim, 7 Drawing Sheets



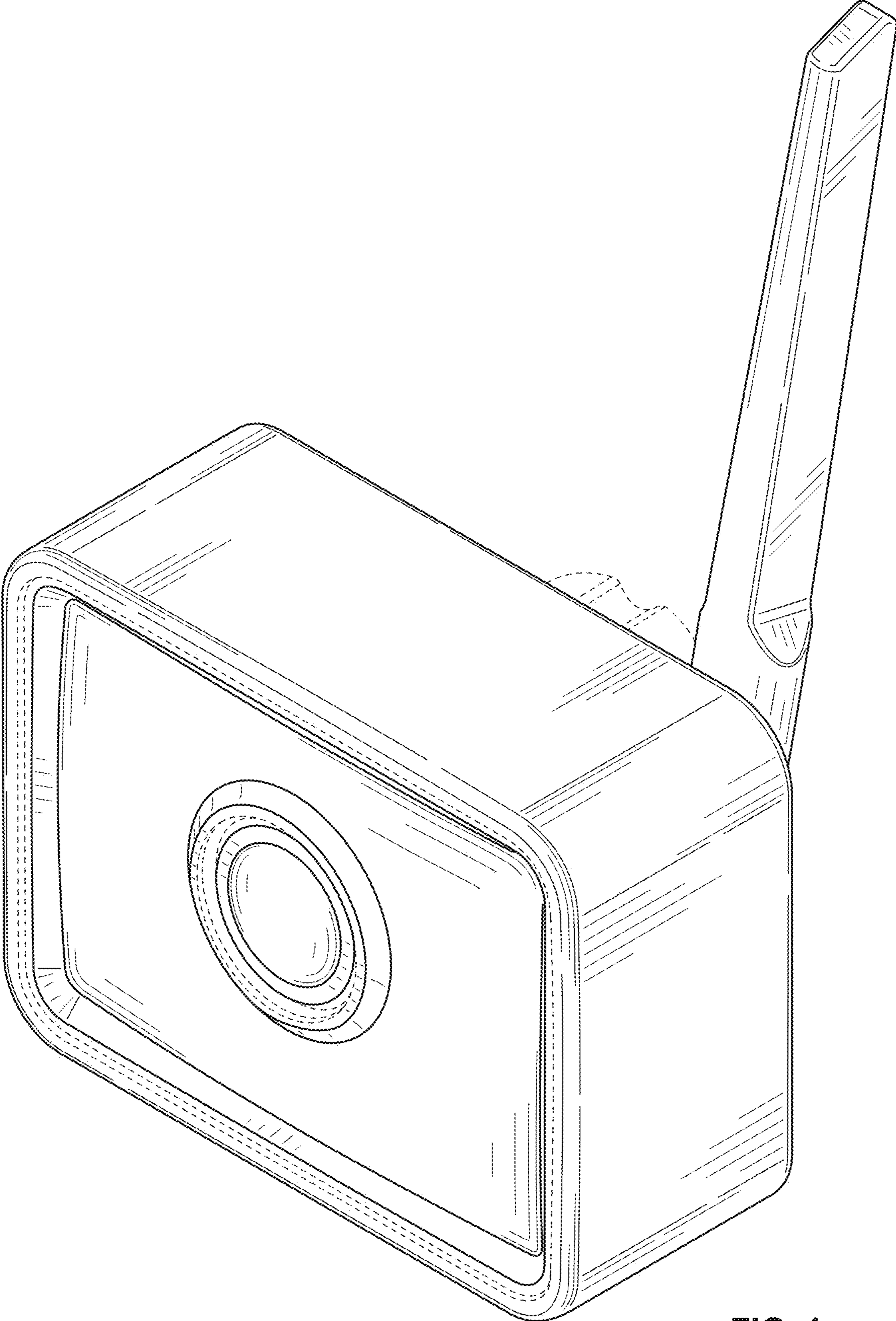


FIG. 1

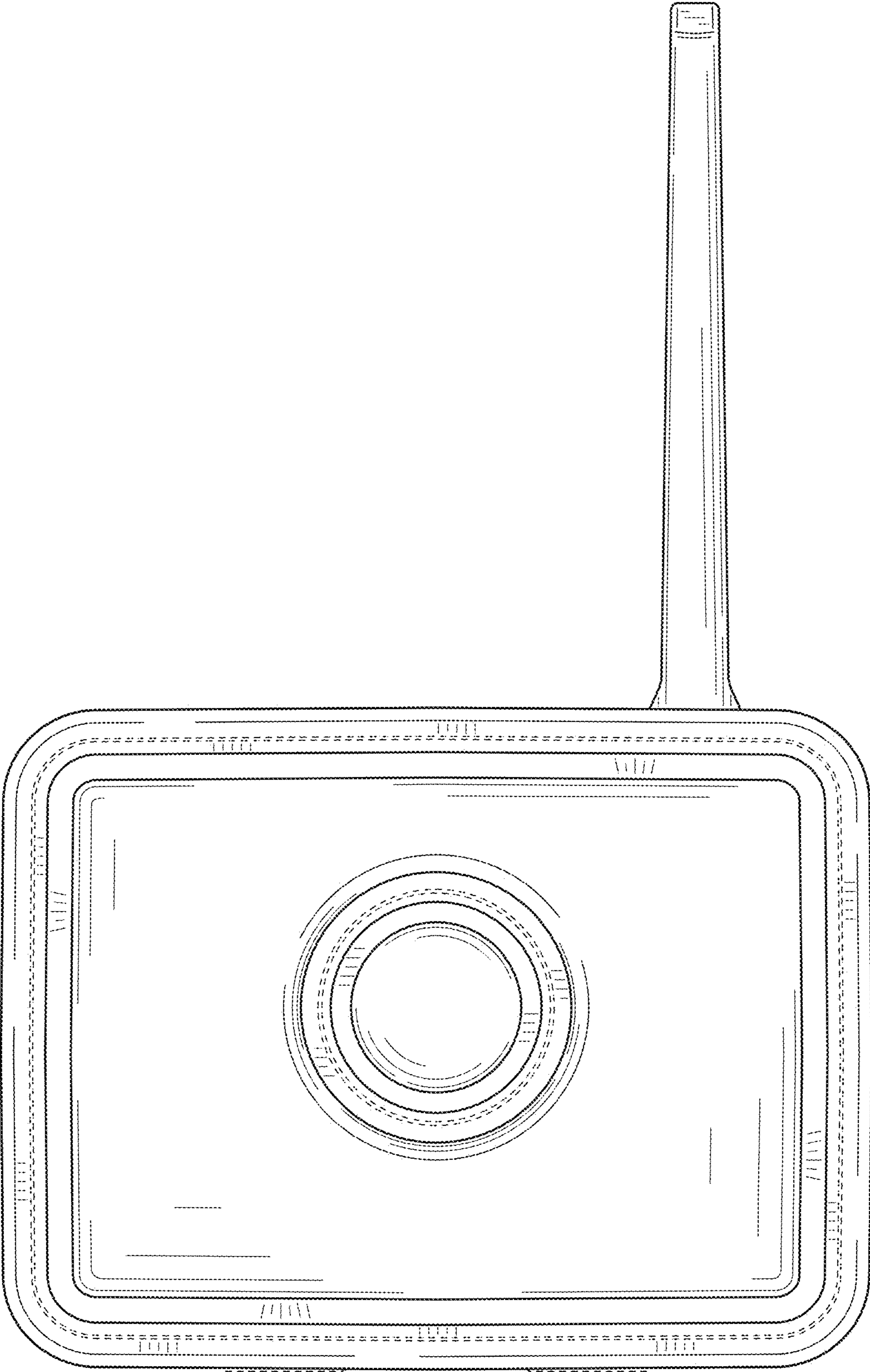


FIG. 2

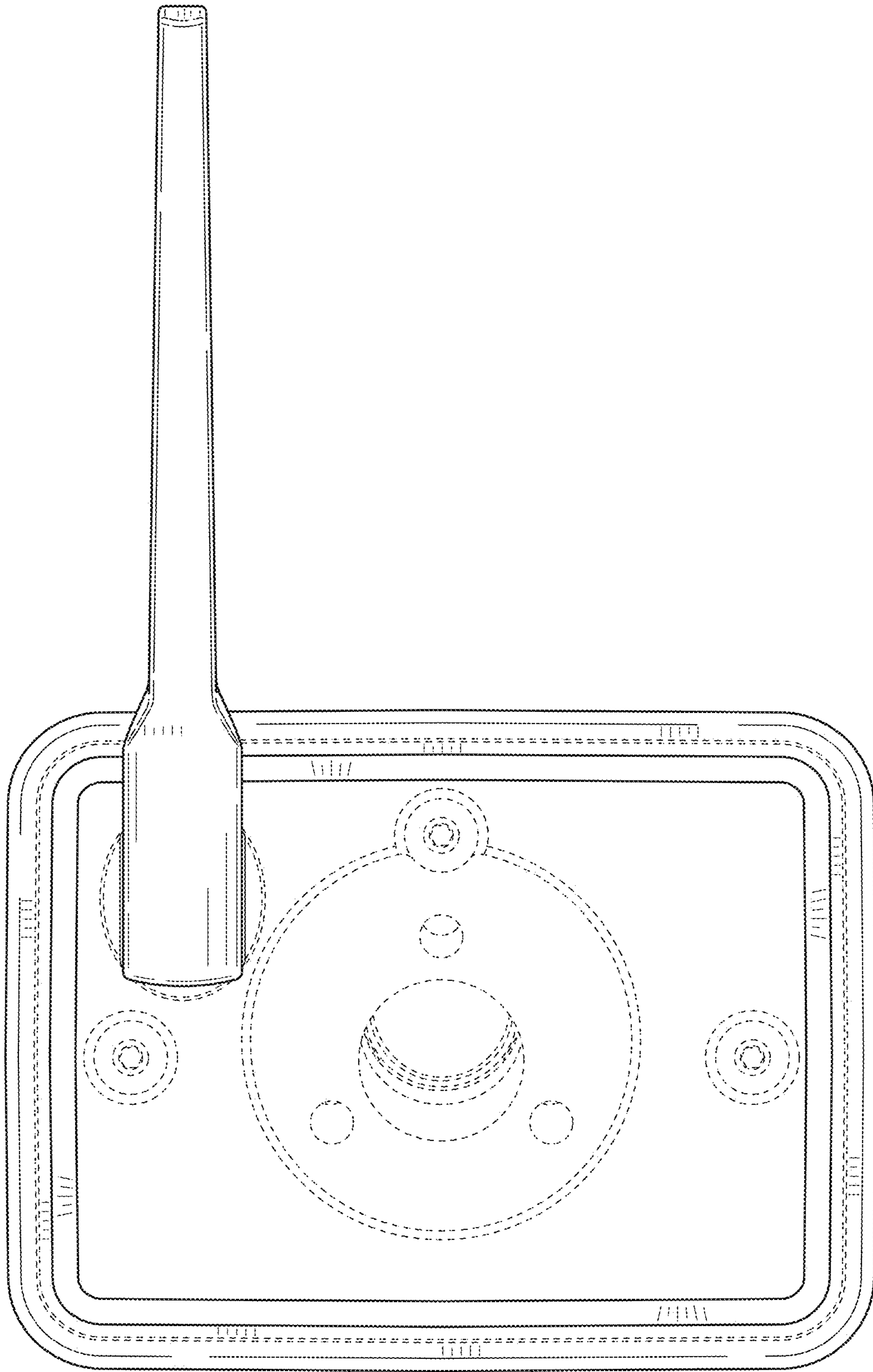


FIG. 3

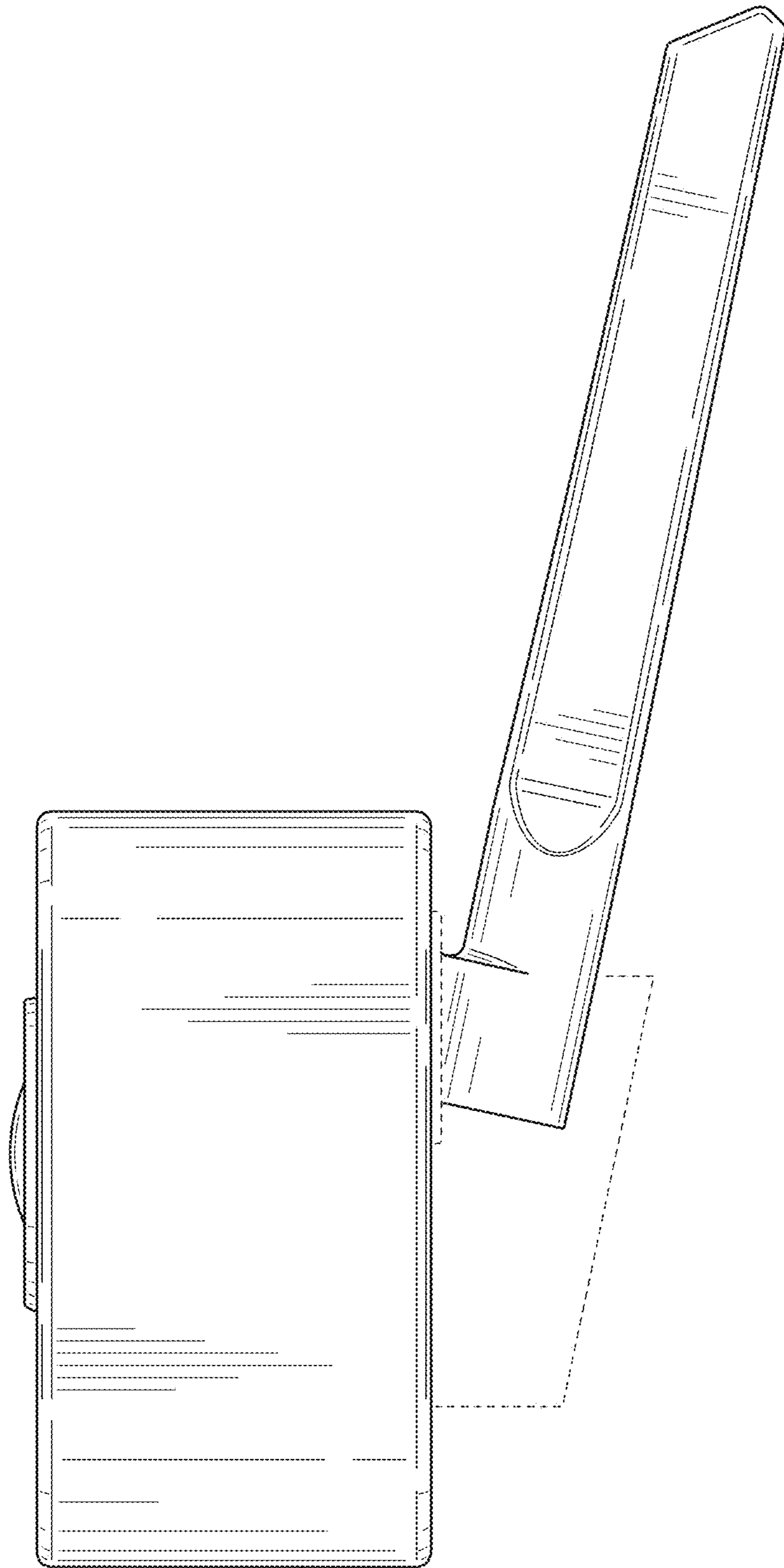


FIG. 4

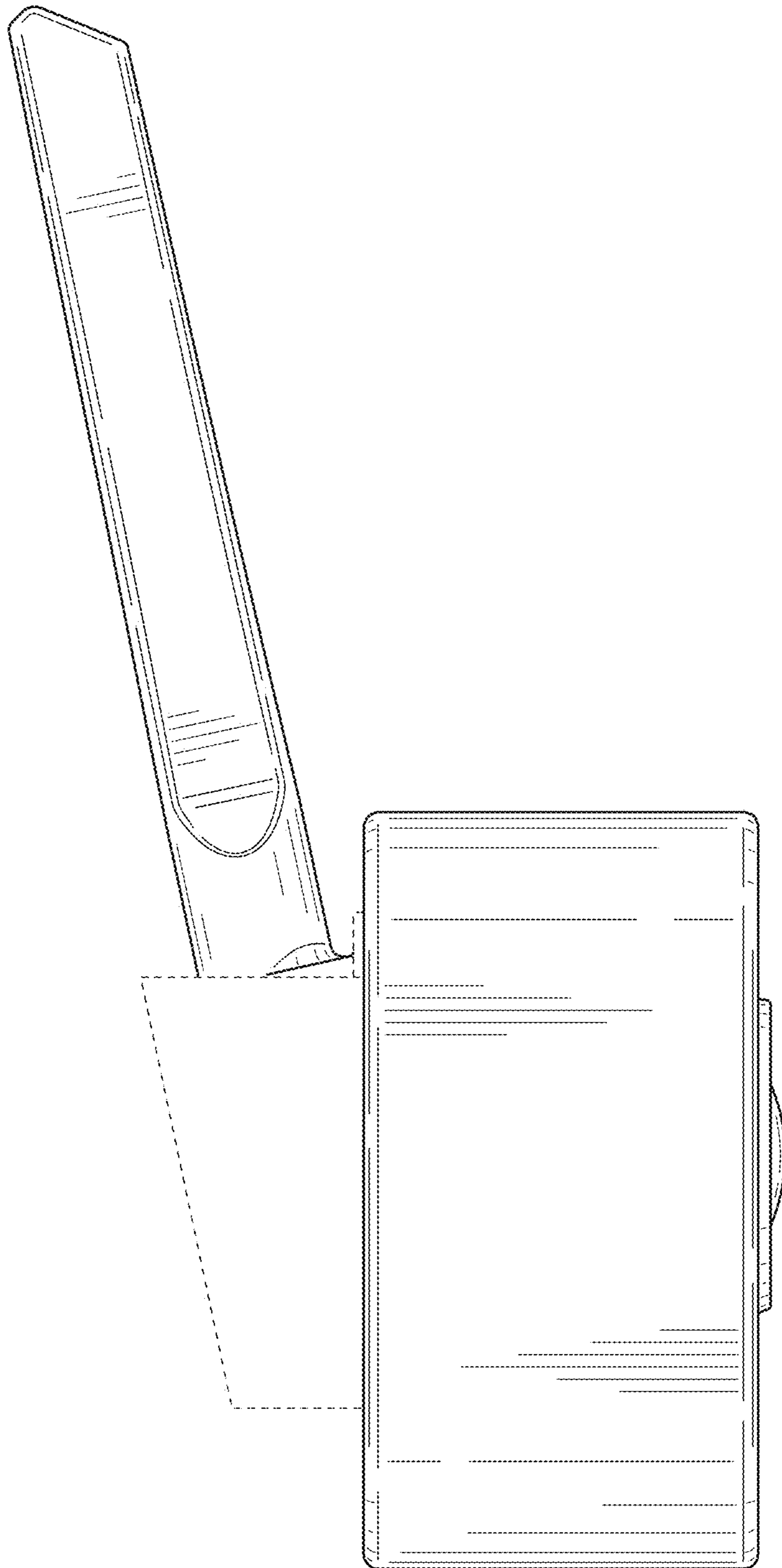


FIG. 5

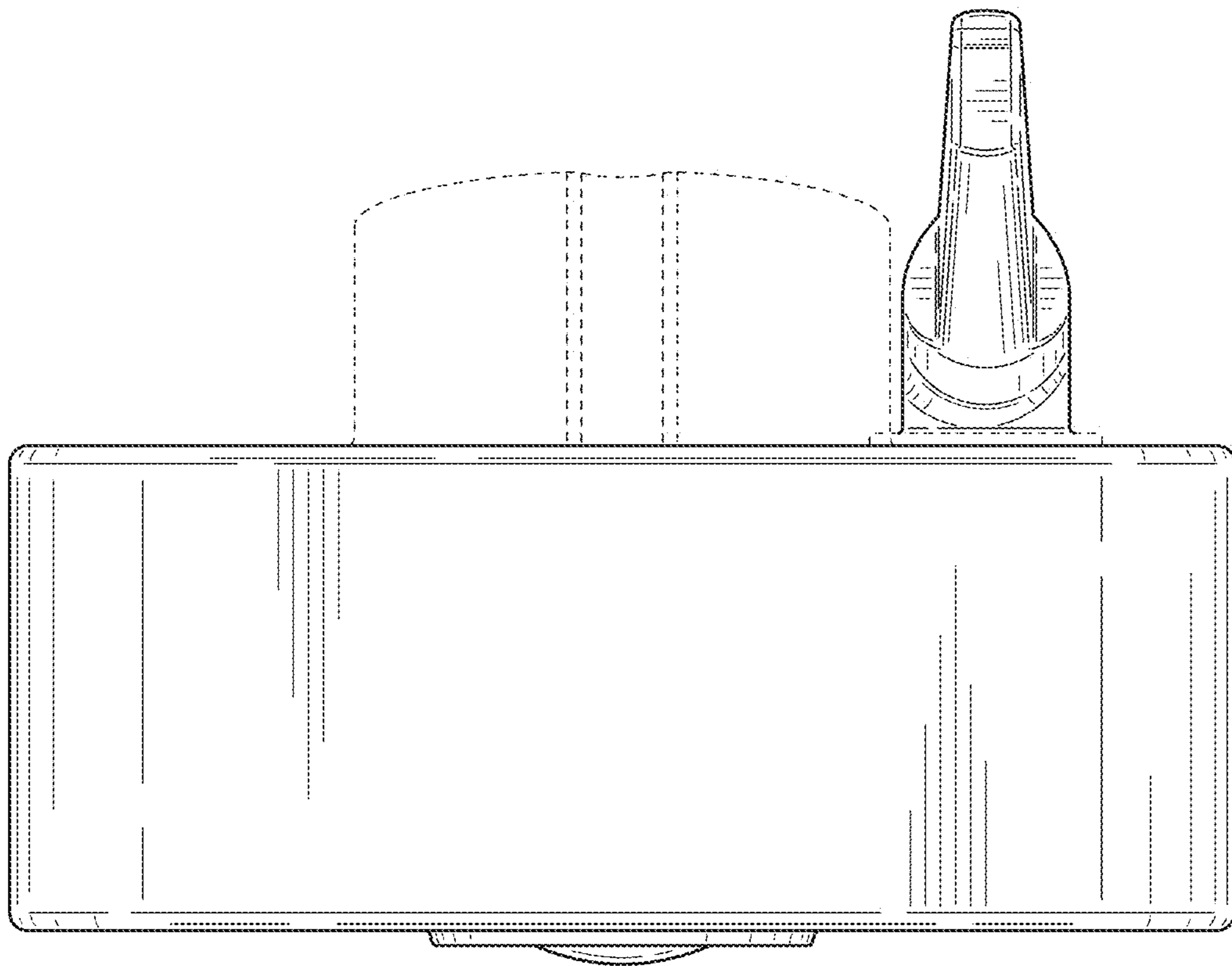


FIG. 6

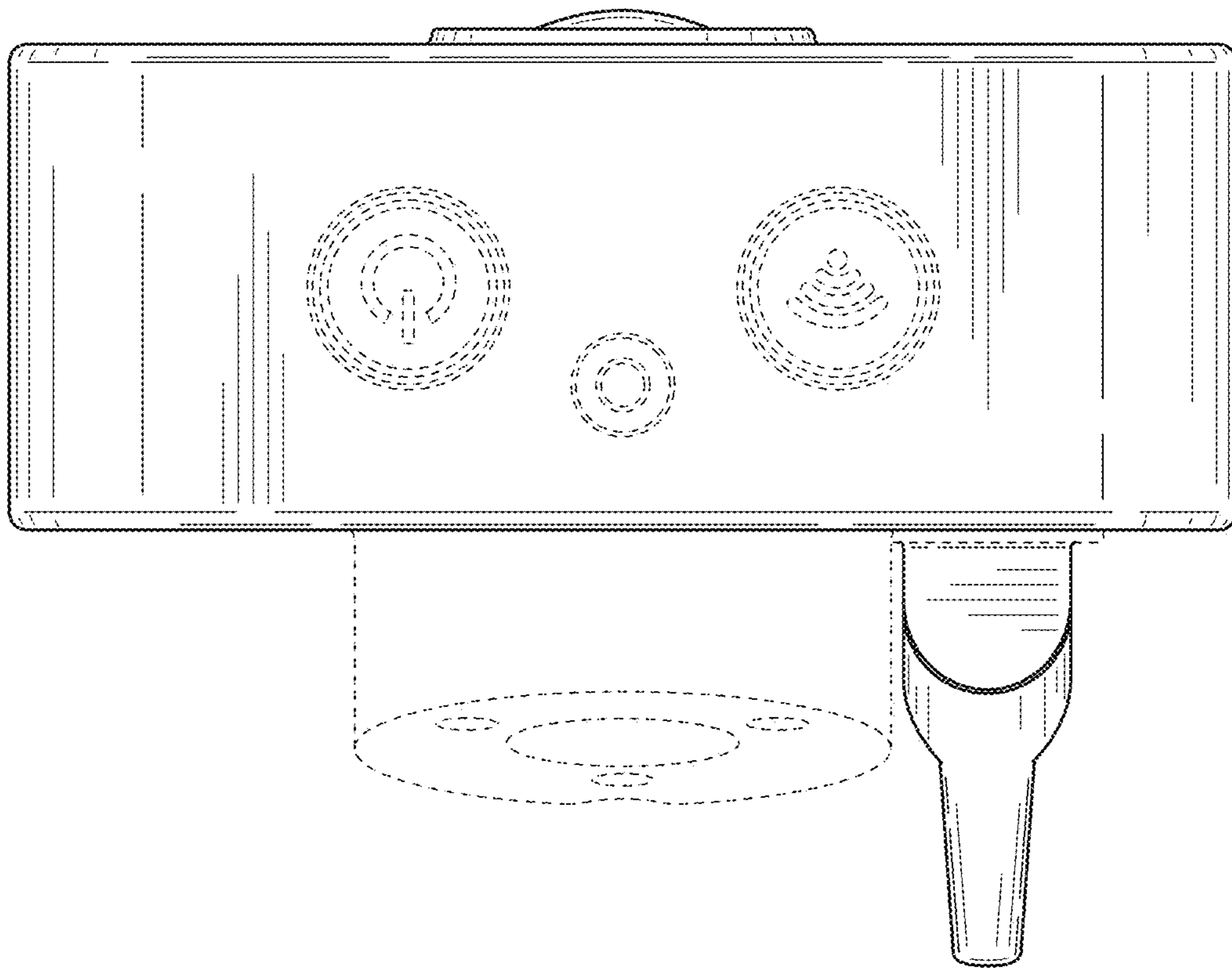


FIG. 7