



US00D909450S

(12) **United States Design Patent** (10) **Patent No.:** **US D909,450 S**
Grant et al. (45) **Date of Patent:** **** Feb. 2, 2021**

(54) CAMERA	D848,508 S * 5/2019 Hsu D16/218
	D849,084 S * 5/2019 Hu D16/202
(71) Applicant: Portable Multimedia Ltd , West End (GB)	D849,817 S * 5/2019 Wang D16/218
	D852,255 S * 6/2019 Guo D16/202
	D854,597 S * 7/2019 Gao D16/202
(72) Inventors: Robert Grant , West End (GB);	D857,076 S * 8/2019 Gan D16/202
Graham Lambert , West End (GB);	D867,420 S * 11/2019 Zhang D16/202
Ceri Hill , West End (GB)	D868,725 S * 12/2019 Zhou D14/167
	D870,183 S * 12/2019 Tsukamoto D16/218
(73) Assignee: Portable Multimedia Ltd , West End (GB)	D875,803 S * 2/2020 Yuan D16/202
	2013/0004152 A1* 1/2013 Imafuji G03B 15/02 396/155

(**) Term: **15 Years**

* cited by examiner

(21) Appl. No.: **29/694,134**

Primary Examiner — Ramzi S Almatrahi

(22) Filed: **Jun. 7, 2019**

(30) **Foreign Application Priority Data**

Dec. 7, 2018 (GB) 6049648

(51) **LOC (13) Cl.** **16-01**

(52) **U.S. Cl.**
USPC **D16/208**; D16/218

(58) **Field of Classification Search**
USPC D16/200, 212, 218, 219; 348/373–376;
396/448, 535, 539–541
CPC G03B 15/03; G03B 17/02; G03B 17/04;
G03B 17/56; G03B 19/04; H04N 5/2251;
H04N 5/2252; H04N 5/2253; H04N
5/2254; H04N 2101/00
See application file for complete search history.

(56) **References Cited**

U.S. PATENT DOCUMENTS

D747,386 S * 1/2016 Li D16/208
D772,966 S * 11/2016 Song D16/200

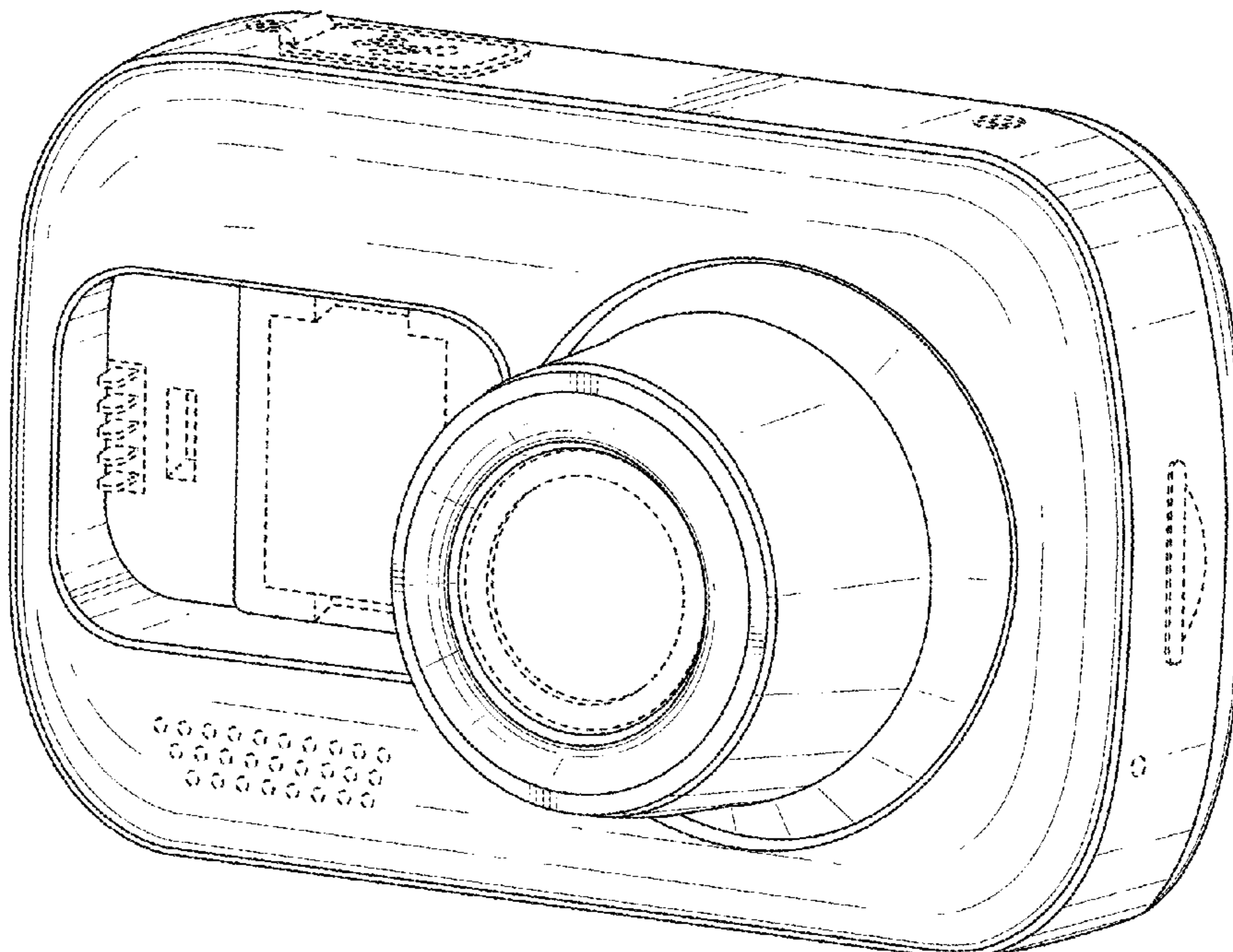
(57) **CLAIM**

The ornamental design for a camera, as shown and described.

DESCRIPTION

FIG. 1 is a front elevation view of a camera showing our new design;
FIG. 2 is a rear elevation view thereof;
FIG. 3 is a right-side elevation view thereof;
FIG. 4 is a left-side elevation view thereof;
FIG. 5 is a bottom plan view thereof;
FIG. 6 is a top plan view thereof; and,
FIG. 7 is a front perspective view thereof.
The broken lines depict portions of the camera in which the design is embodied that form no part of the claimed design.

1 Claim, 7 Drawing Sheets



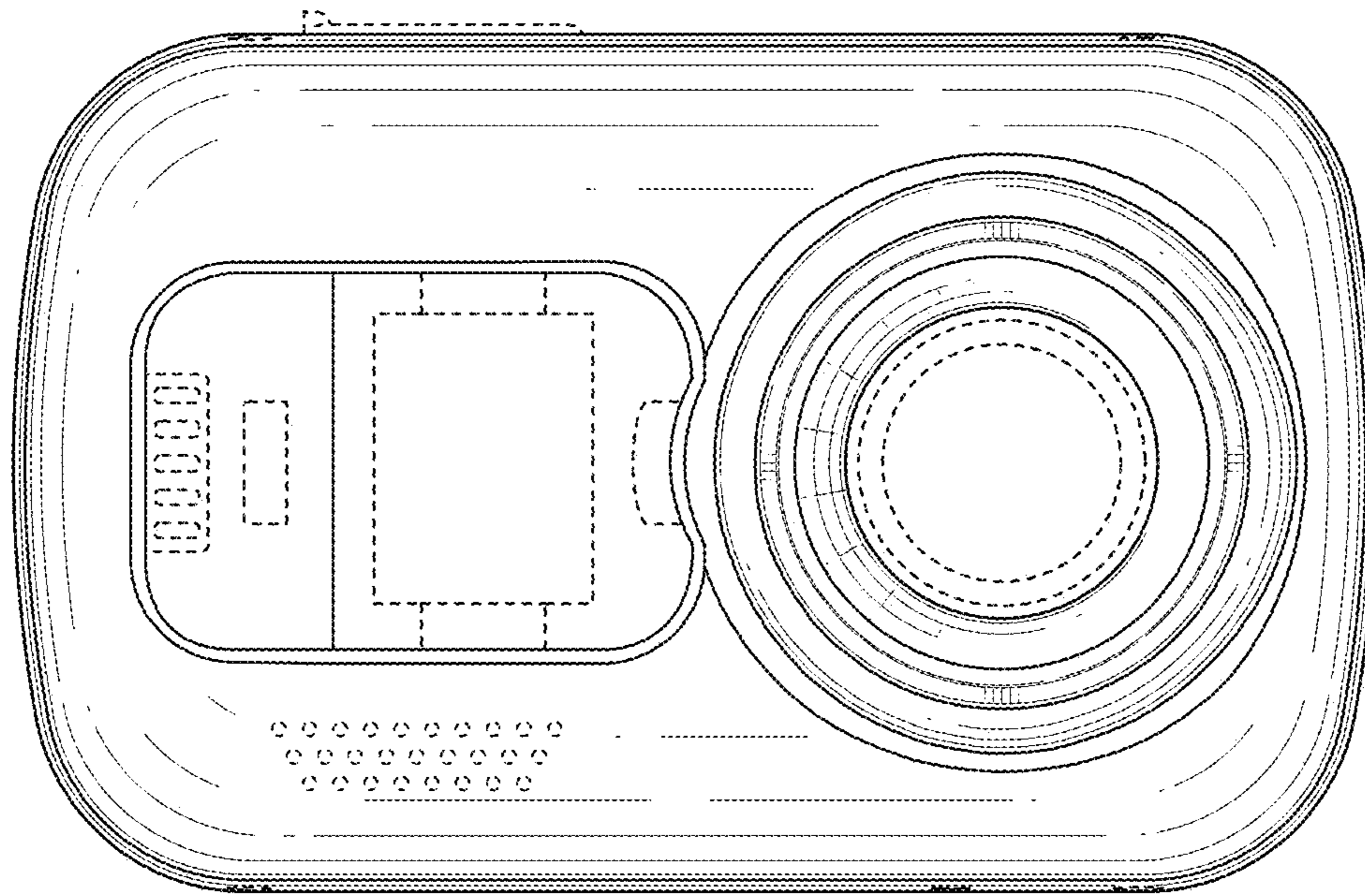


FIG. 1

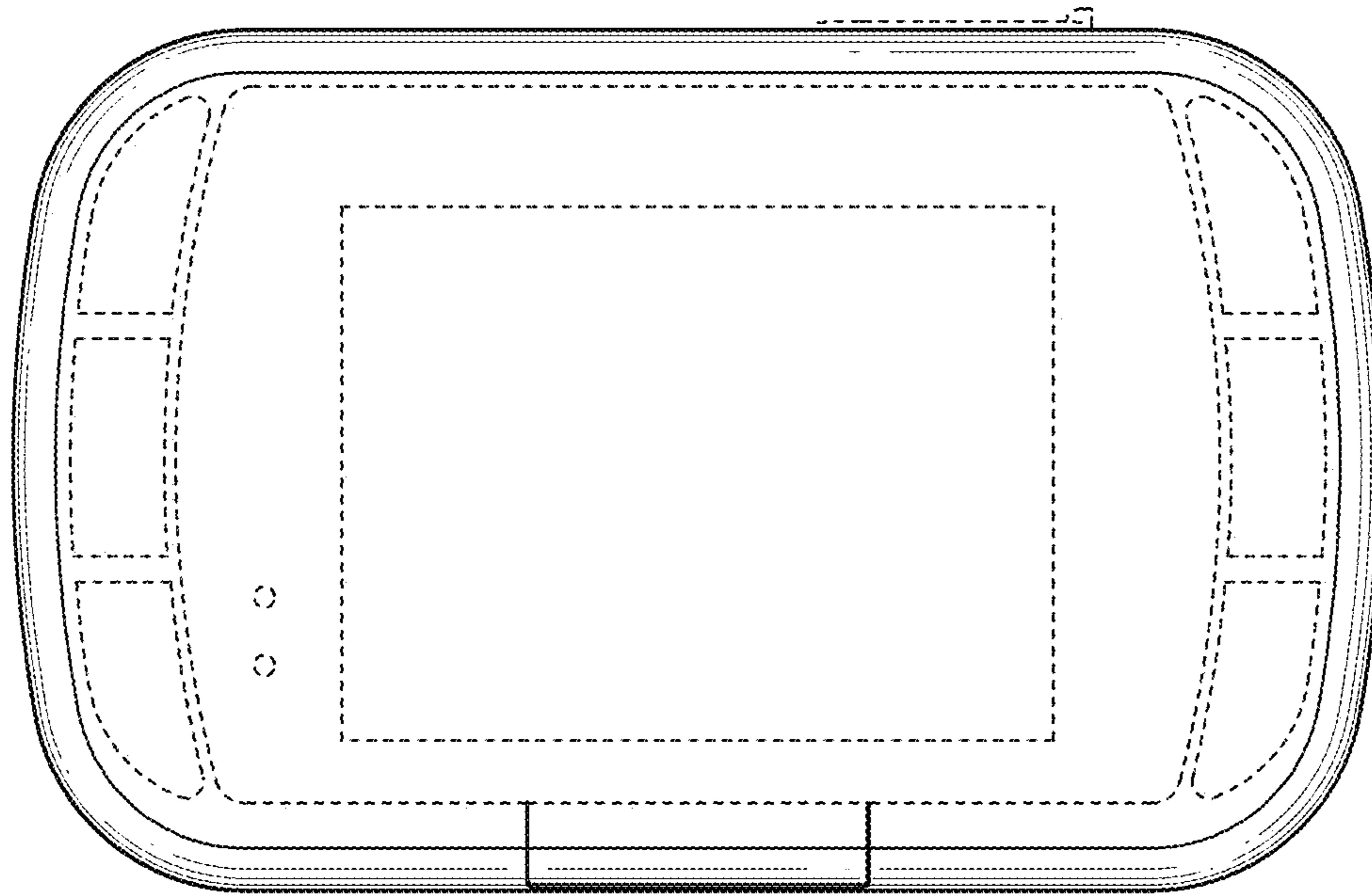


FIG. 2

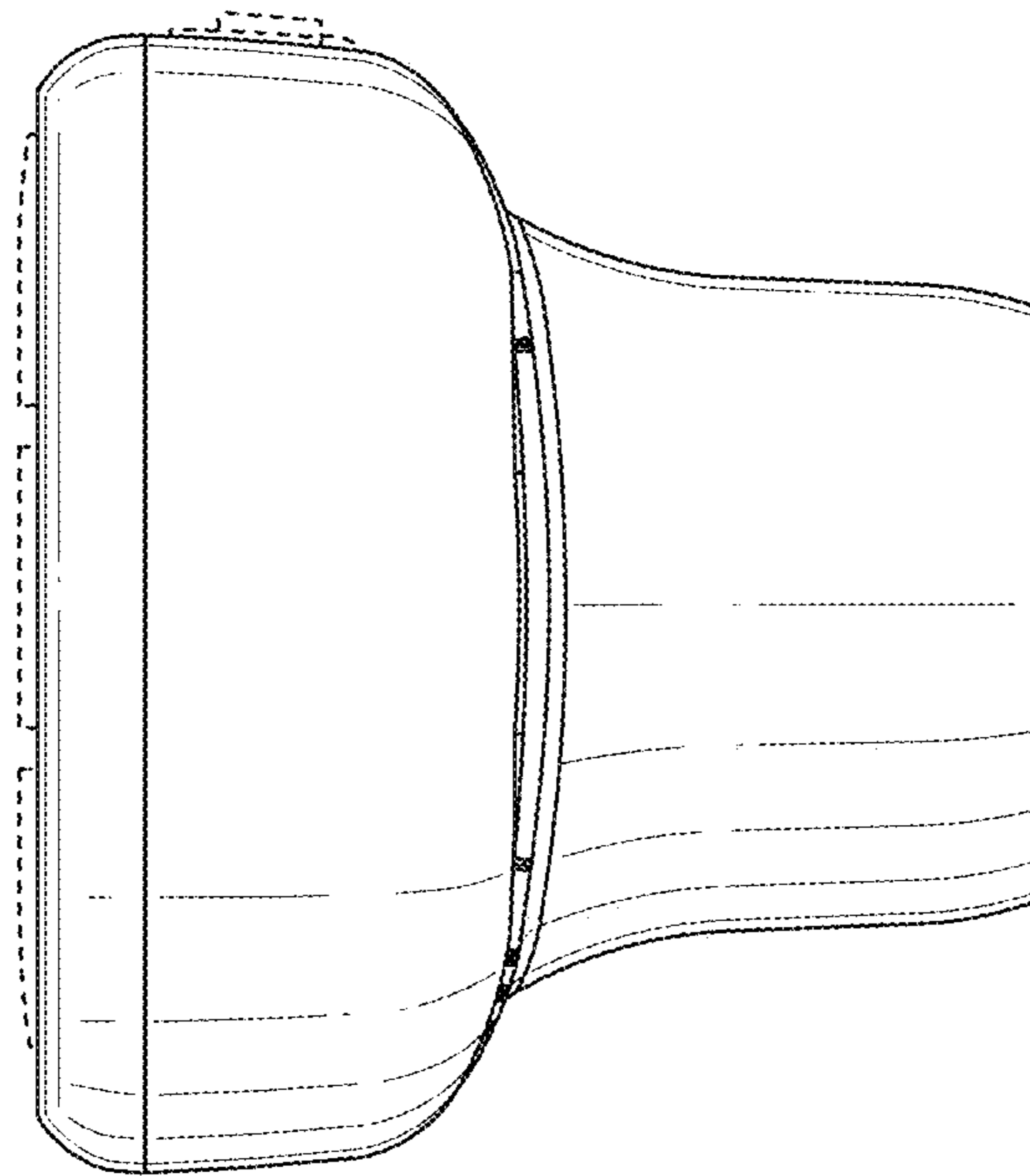


FIG. 3

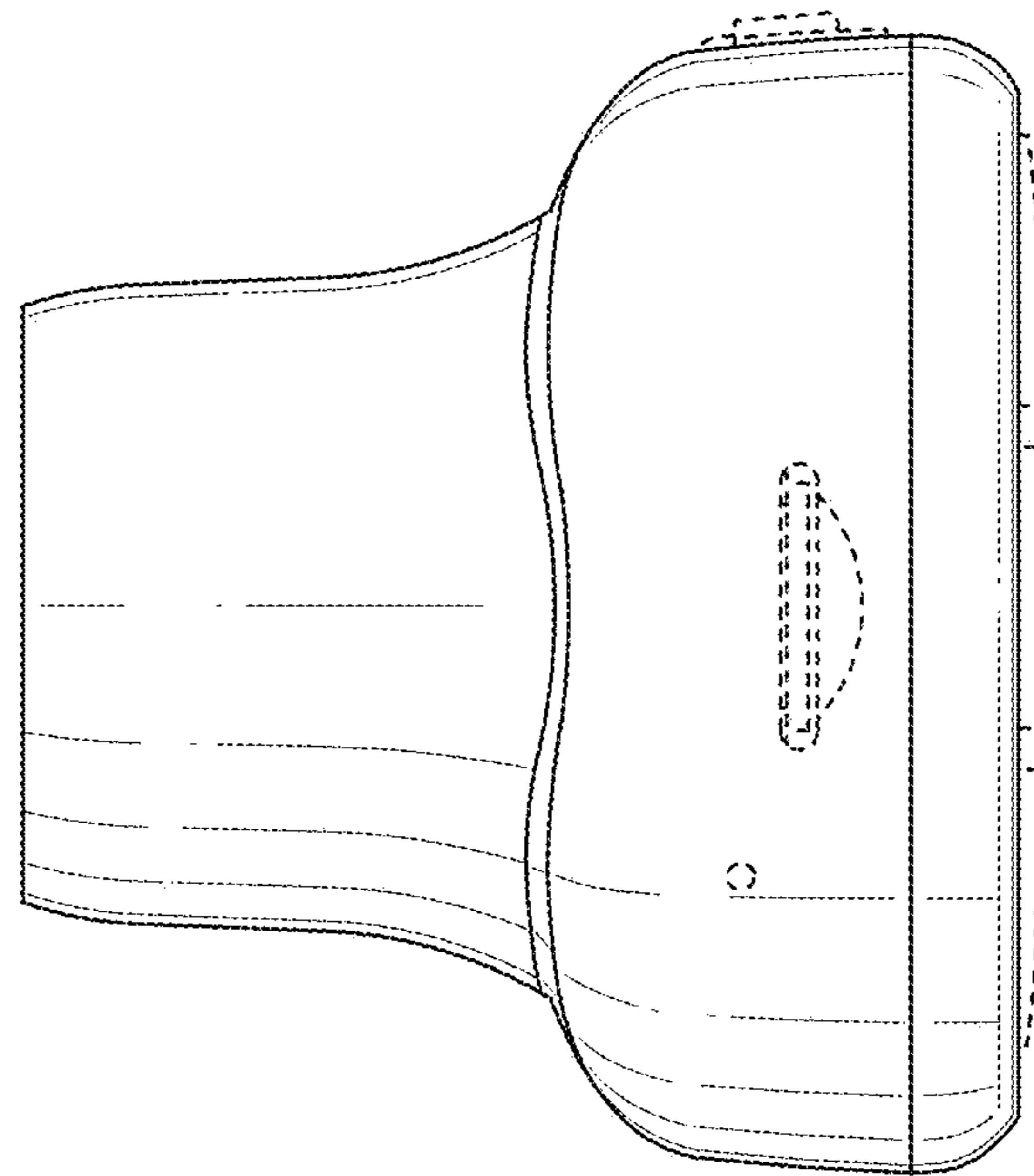


FIG. 4

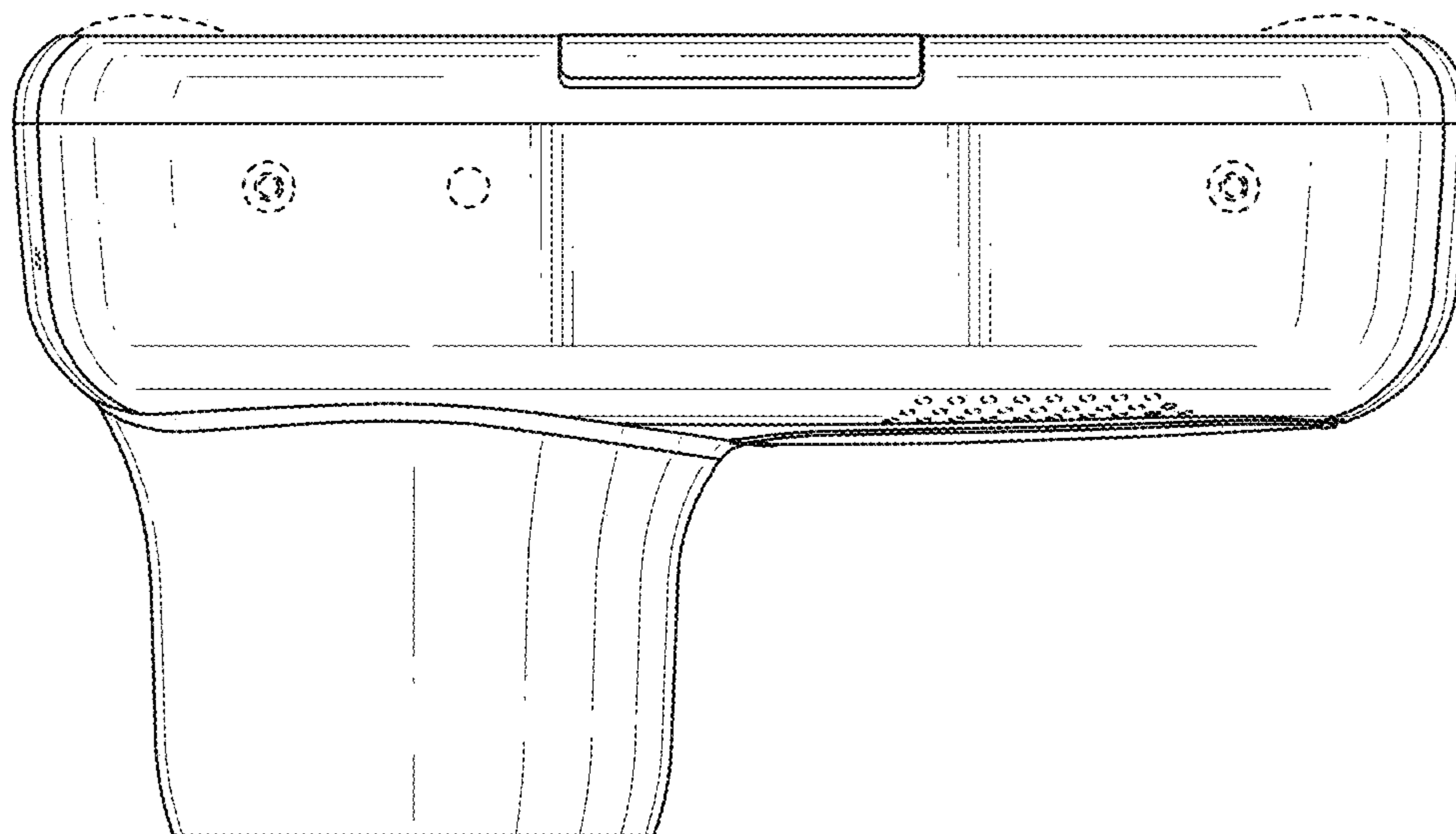


FIG. 5

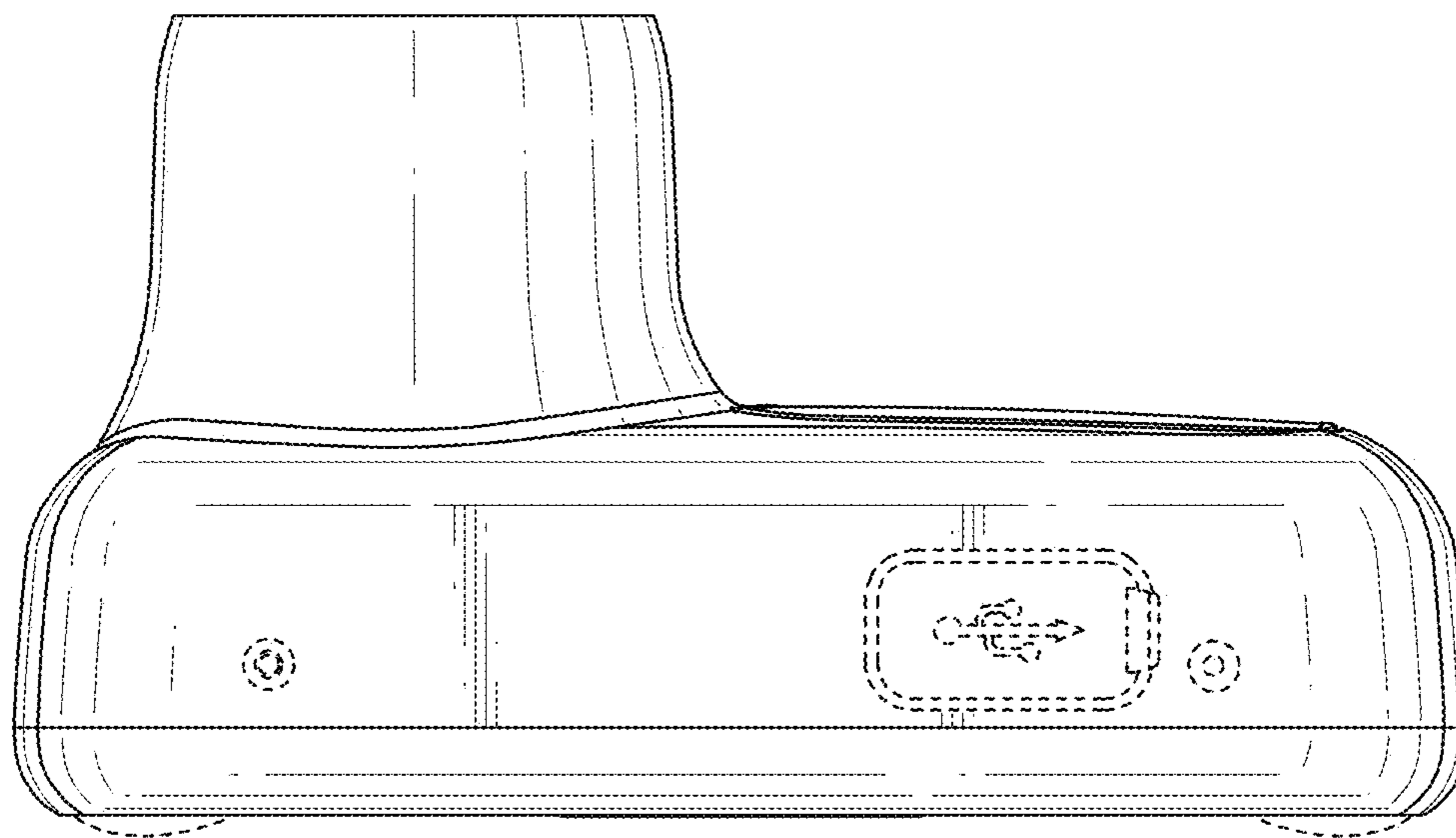


FIG. 6

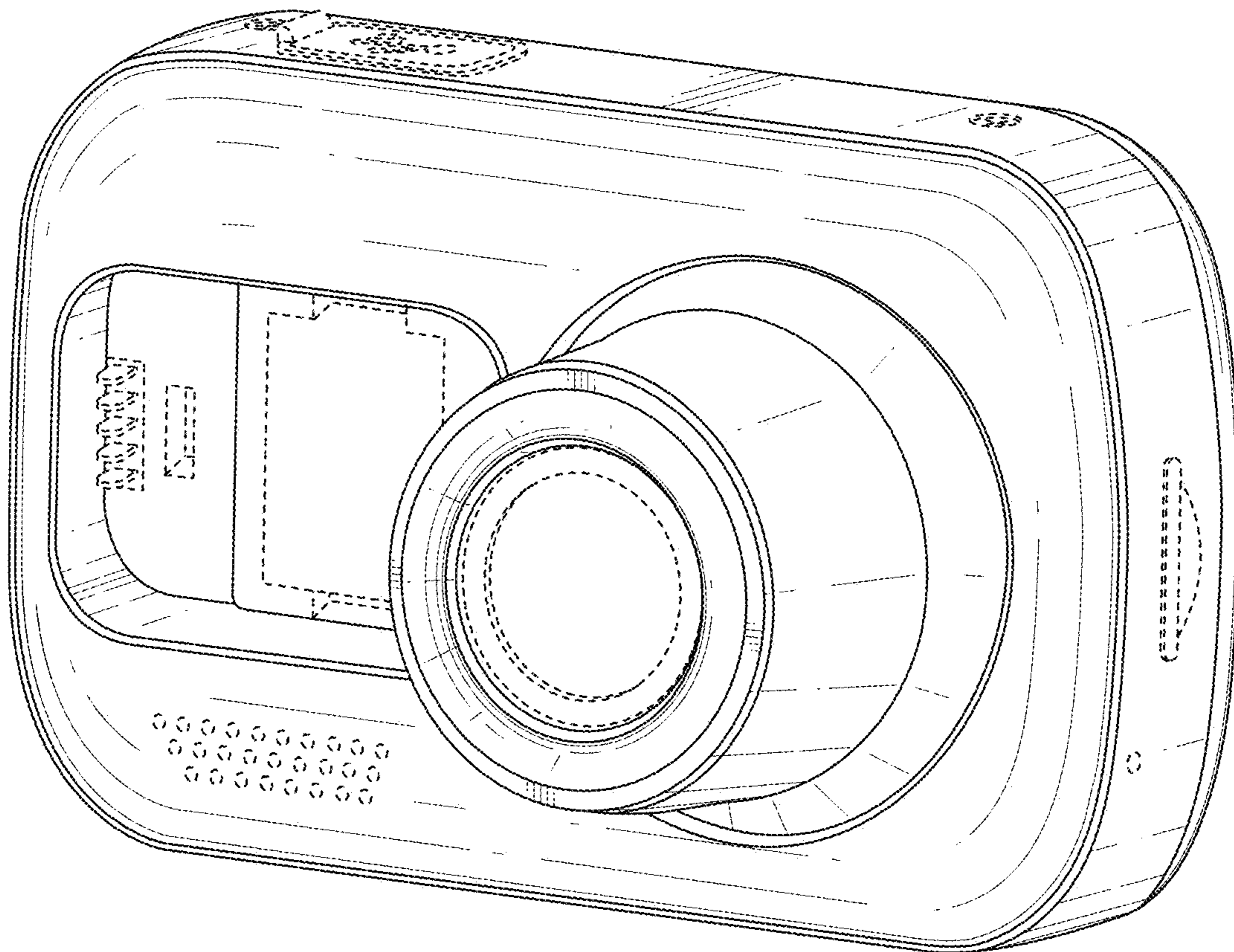


FIG. 7