



US00D909448S

(12) **United States Design Patent** (10) **Patent No.:** **US D909,448 S**
Walter et al. (45) **Date of Patent:** **** Feb. 2, 2021**

(54) **CAMERA**

(71) Applicant: **Axis AB**, Lund (SE)
(72) Inventors: **Mathias Walter**, Lund (SE); **Mariano Vozzi**, Lund (SE); **Sebastian Engwall**, Lund (SE); **Jonas Sjögren**, Lund (SE); **Ulf Lundberg**, Lund (SE); **Joakim Veberg**, Lund (SE); **Samir Helaoui**, Lund (SE); **Mikael Persson**, Lund (SE)

(73) Assignee: **AXIS AB**, Lund (SE)

(**) Term: **15 Years**

(21) Appl. No.: **29/743,055**

(22) Filed: **Jul. 17, 2020**

Related U.S. Application Data

(62) Division of application No. 29/694,507, filed on Jun. 11, 2019.

Foreign Application Priority Data

Dec. 17, 2018 (EM) 005910759
May 29, 2019 (EM) 006541074

(51) **LOC (13) Cl.** **16-01**

(52) **U.S. Cl.**
USPC **D16/203**

(58) **Field of Classification Search**
USPC D16/200, 202–208, 218, 219, 242;
348/143, 148, 151, 373–376; 396/419,
396/427, 535, 539–541; 248/176.1, 187.1
CPC G03B 17/02; G03B 19/04; G03B 17/56;
G03B 17/04; G03B 15/03; H04N 5/2251;
H04N 5/2252; H04N 5/2253; H04N
5/2254; H04N 7/181; H04N 7/183; H04N
7/18

See application file for complete search history.

(56) **References Cited**

U.S. PATENT DOCUMENTS

D556,236 S *	11/2007	Kim	D16/202
D575,810 S *	8/2008	Alm	D16/203
D628,225 S *	11/2010	Deurwaarder	D16/203
D636,805 S *	4/2011	Anneback	D16/203
D655,328 S *	3/2012	Anneback	D16/219
D688,720 S *	8/2013	Yilin	D16/203
D694,798 S *	12/2013	Deurwaarder	D16/203

(Continued)

FOREIGN PATENT DOCUMENTS

EM	002503334	7/2014
EM	003841972	4/2017

(Continued)

OTHER PUBLICATIONS

Translation of Taiwanese Search Report from corresponding Taiwan Application No. 108303496, completed May 1, 2020.

Primary Examiner — Ramzi S Almatrahi

(74) *Attorney, Agent, or Firm* — Tucker Ellis LLP

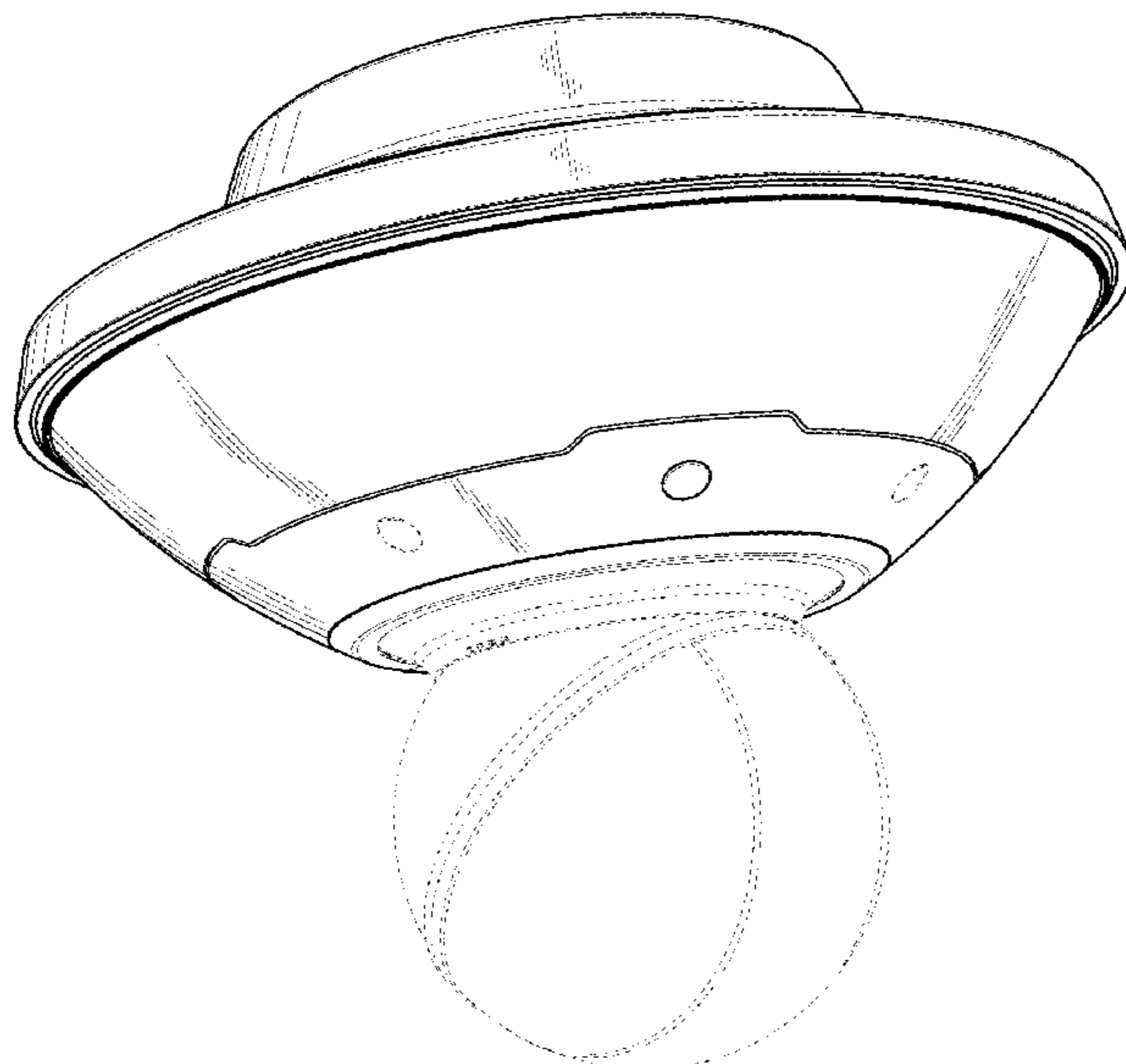
(57) **CLAIM**

The ornamental design for a camera, as shown and described.

DESCRIPTION

FIG. 1 is a bottom, front and right side perspective view of a camera showing our new design;
FIG. 2 is a front view thereof;
FIG. 3 is a rear view thereof;
FIG. 4 is a right side view thereof;
FIG. 5 is a left side view thereof;
FIG. 6 is a top view thereof; and,
FIG. 7 is a bottom view thereof.
The broken lines are for the purpose of illustrating portions of the camera and form no part of the claimed design.

1 Claim, 7 Drawing Sheets



(56)

References Cited

U.S. PATENT DOCUMENTS

8,790,024 B2 * 7/2014 Andersson G03B 37/02
396/427
D721,755 S * 1/2015 Åhman et al. D16/203
D740,874 S * 10/2015 Ahman D16/203
D777,819 S 1/2017 Bergstrom et al.
D796,568 S 9/2017 Bingleman et al.
D816,755 S * 5/2018 Barnekow D16/203
D820,895 S 6/2018 Bergstrom et al.
D831,724 S 10/2018 Bergstrom et al.

FOREIGN PATENT DOCUMENTS

TW D174145 S 3/2016
TW D175857 S 5/2016
TW D194474 S 12/2018

* cited by examiner

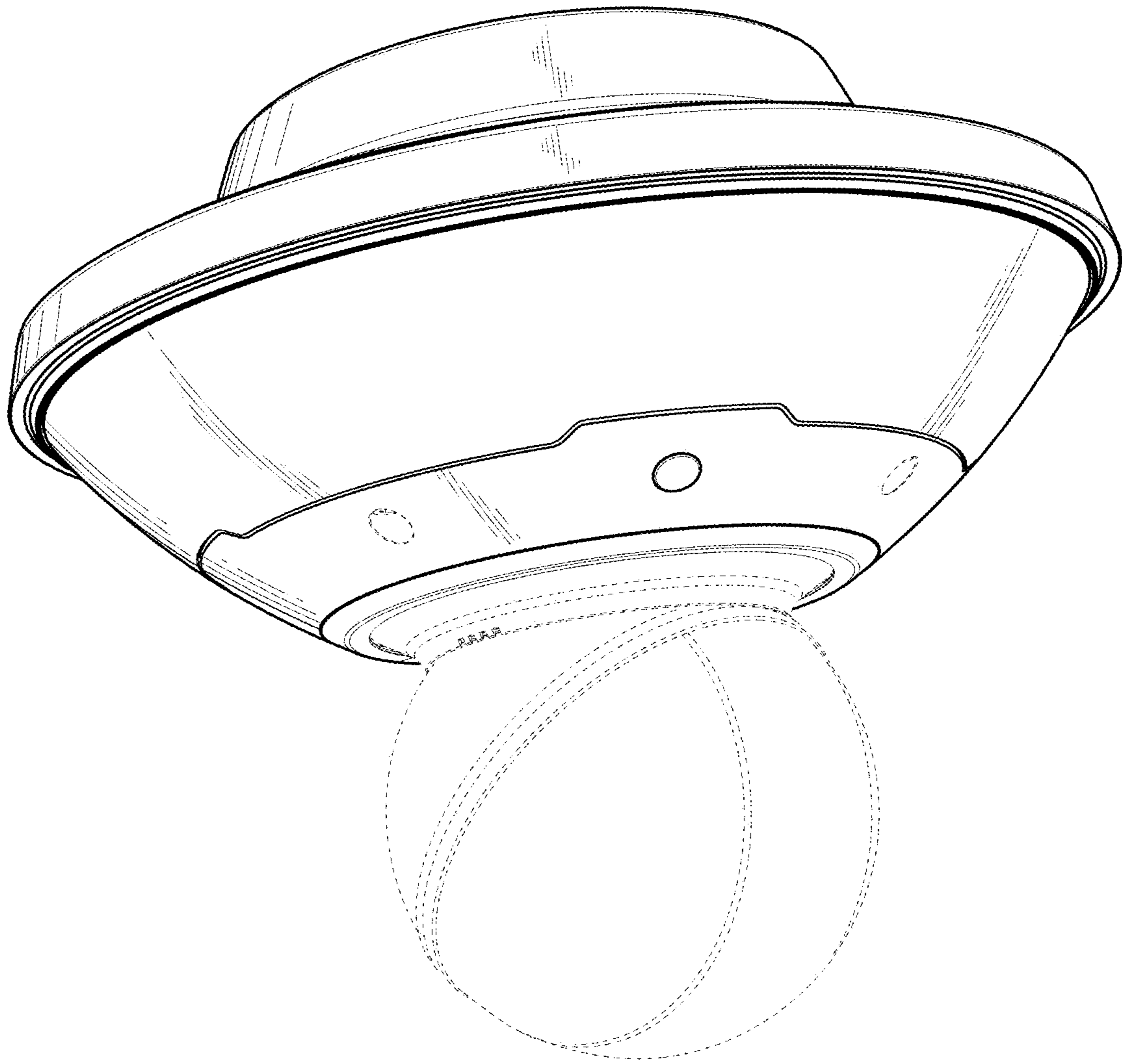


FIG. 1

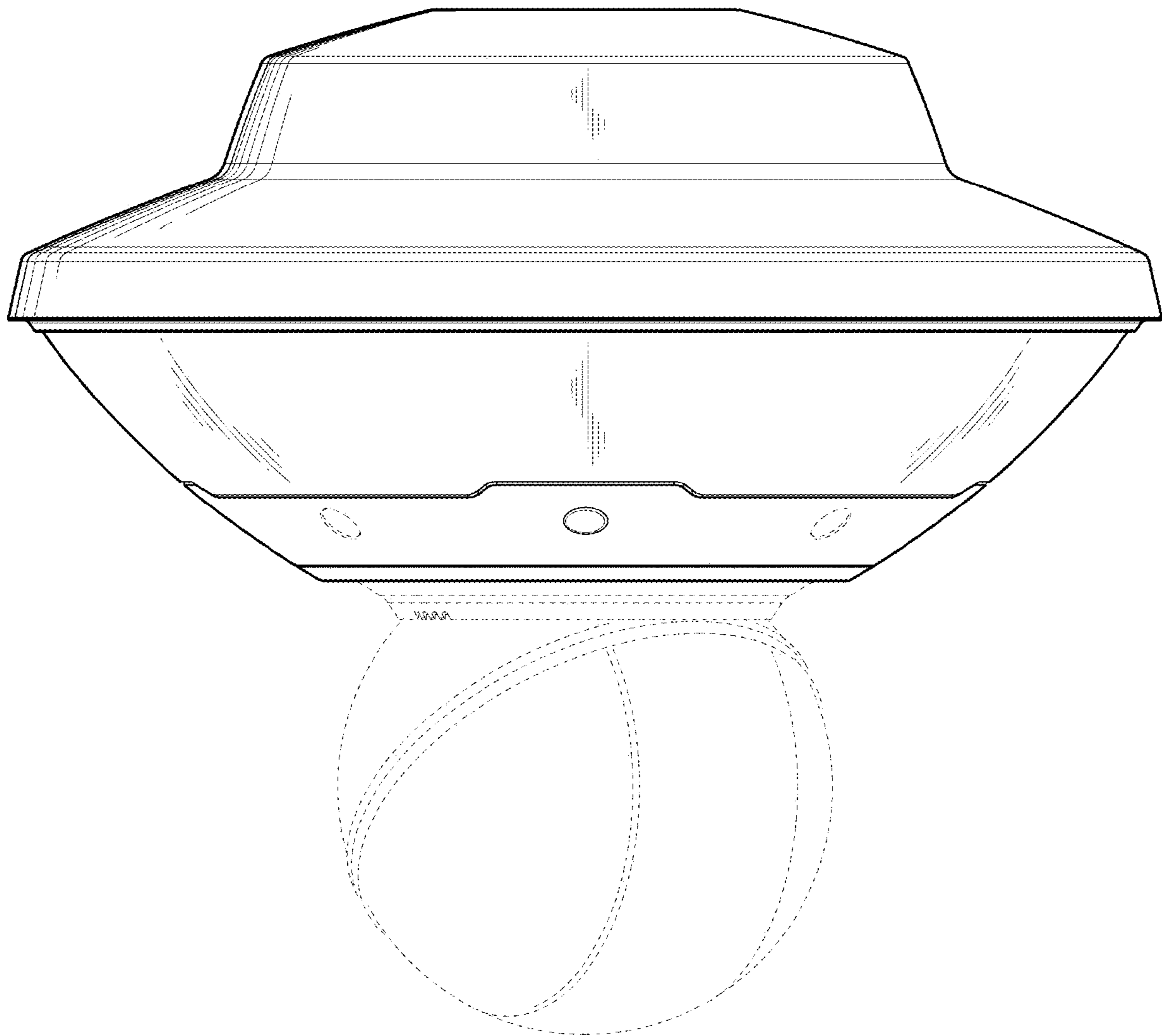


FIG. 2

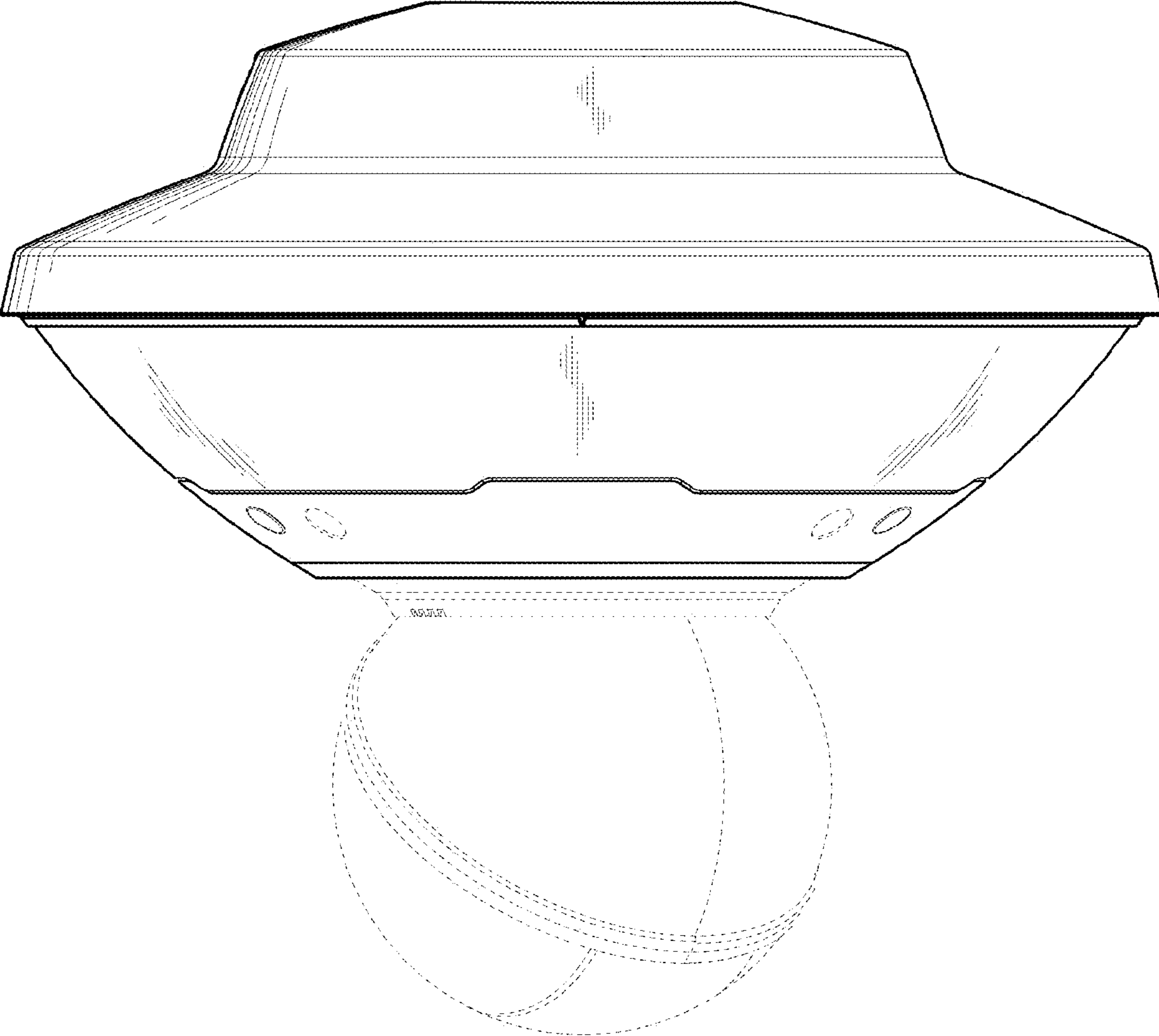


FIG. 3

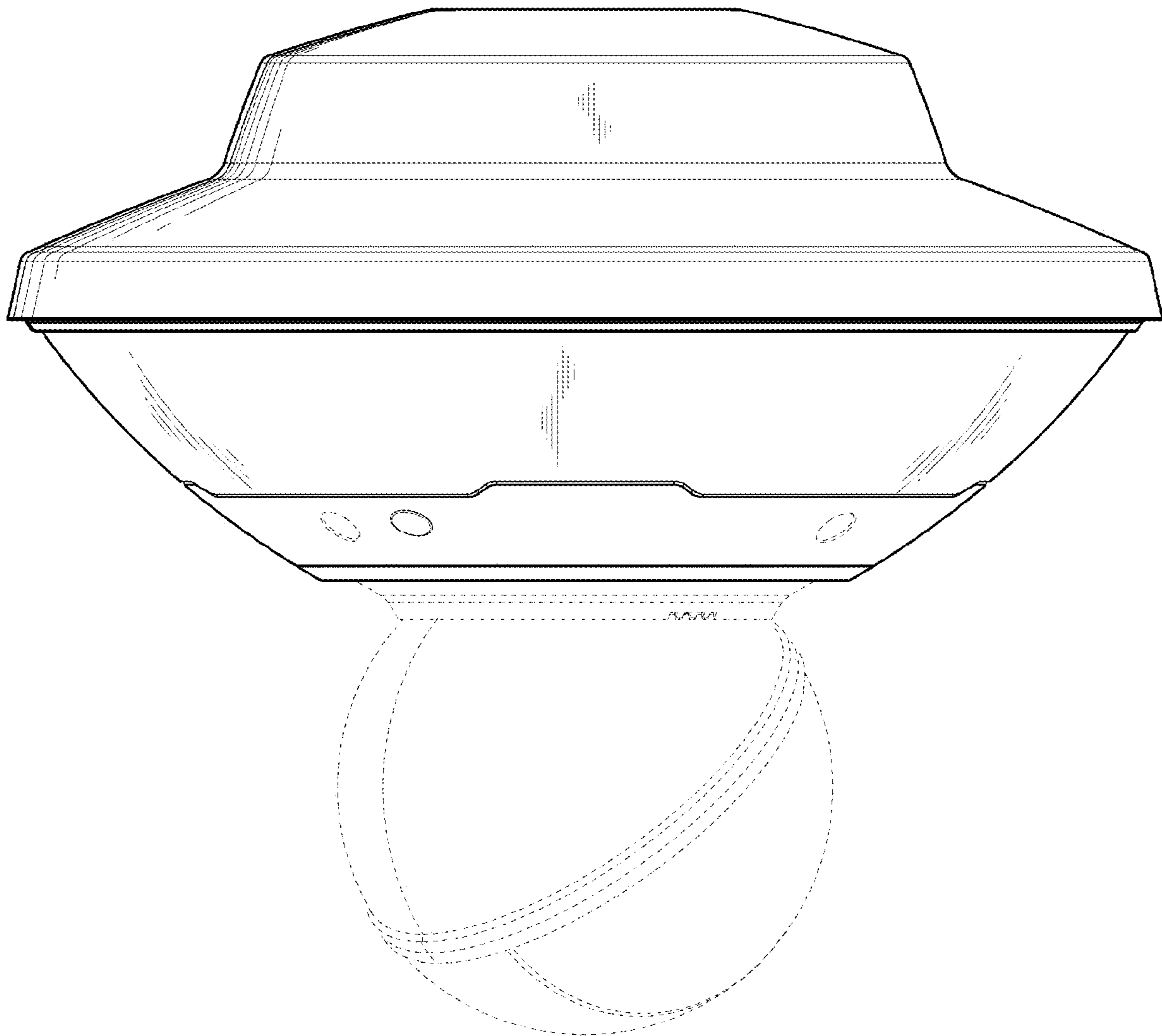


FIG. 4

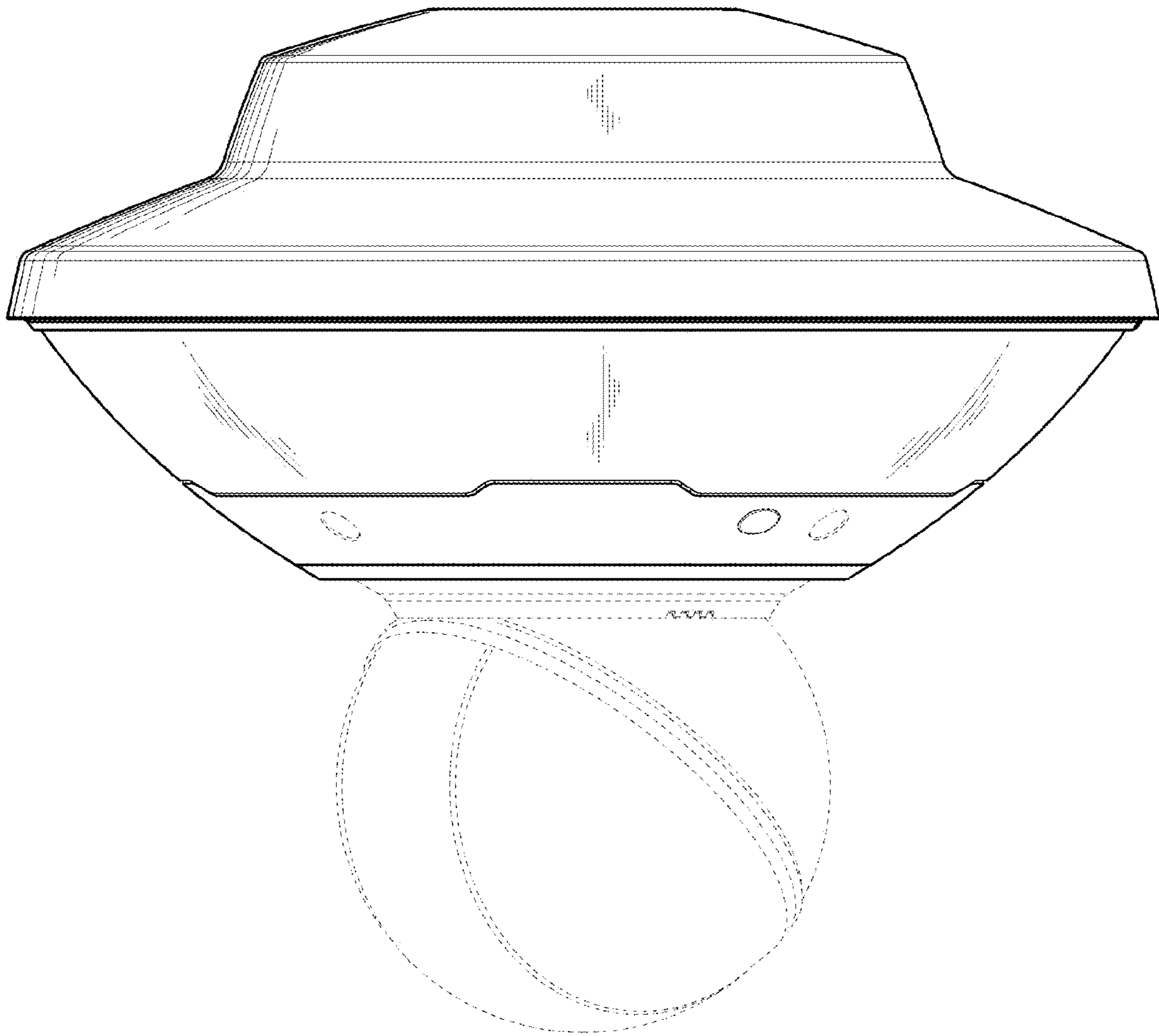


FIG. 5

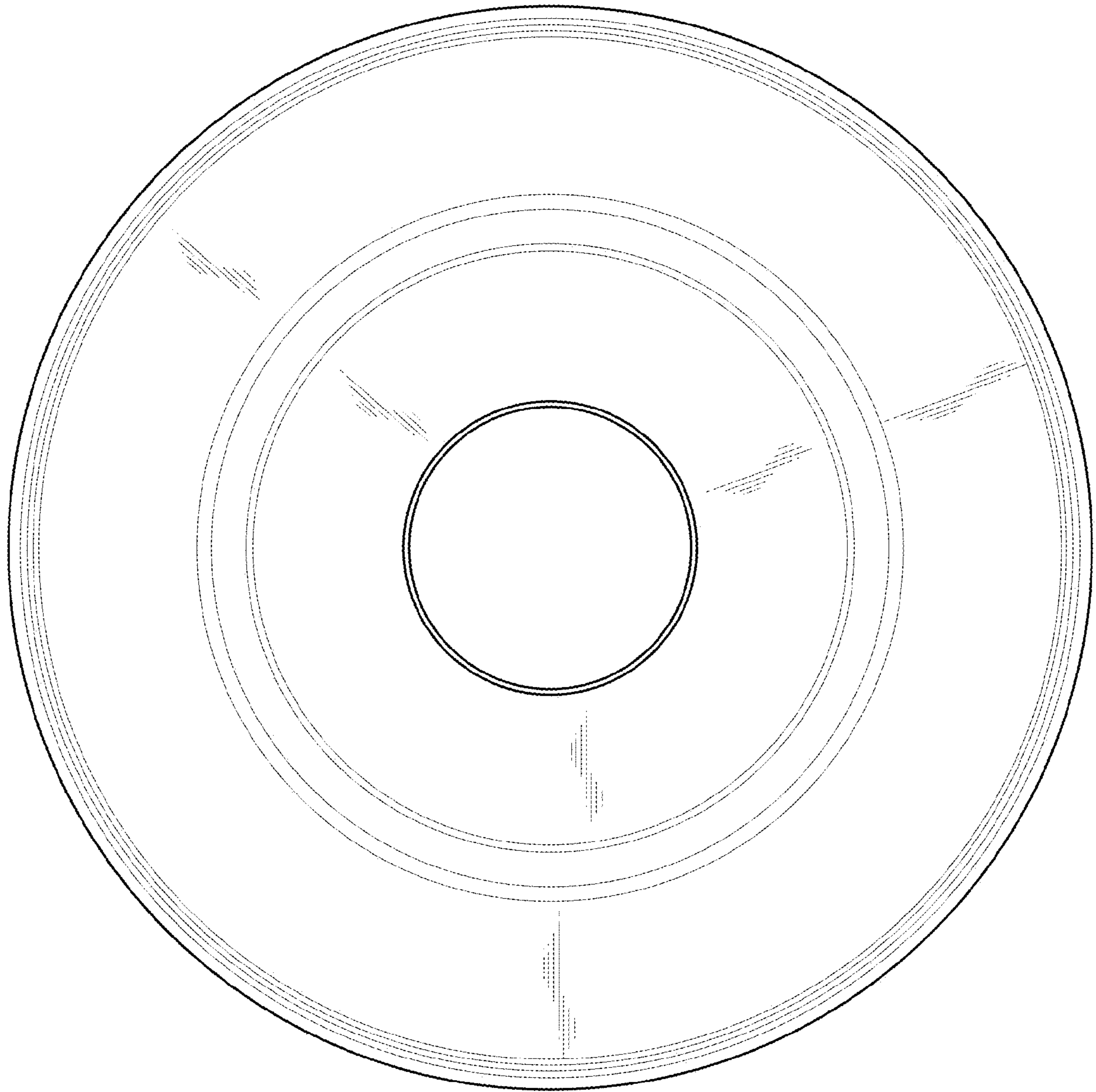


FIG. 6

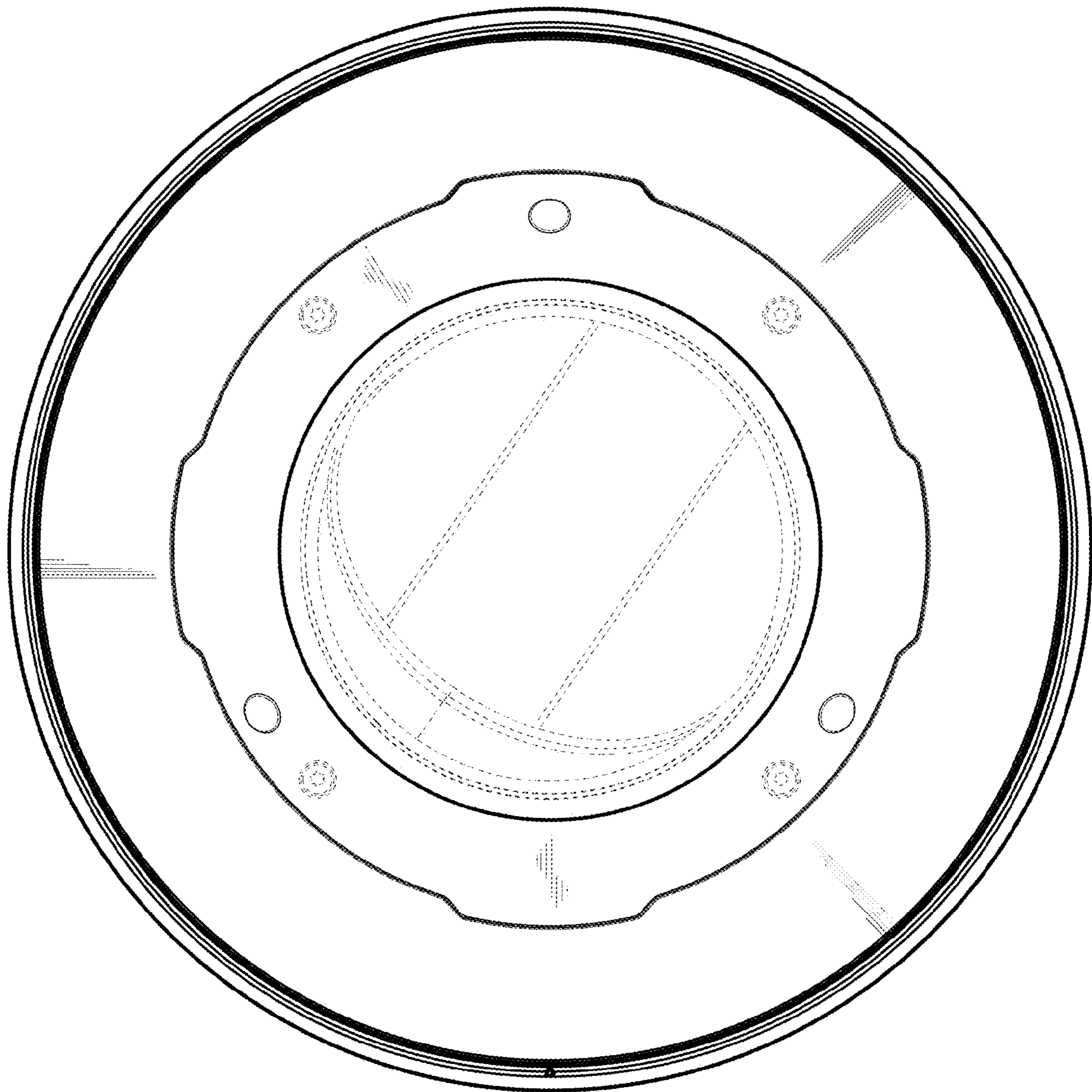


FIG. 7