



US00D909445S

(12) **United States Design Patent**  
**Voron et al.**

(10) **Patent No.:** **US D909,445 S**

(45) **Date of Patent:** **\*\* Feb. 2, 2021**

(54) **CAMERA SYSTEM**

(71) Applicant: **Dolby Laboratories Licensing Corporation**, San Francisco, CA (US)

(72) Inventors: **Vincent Voron**, Menlo Park, CA (US); **Peter Michaelian**, Tappan, NY (US); **Christine Anna Livaudais**, San Francisco, CA (US); **Drew Alexander Walcott**, San Francisco, CA (US); **Samuel James Fleming Carr**, San Francisco, CA (US)

(73) Assignee: **Dolby Laboratories Licensing Corporation**, San Francisco, CA (US)

(\*\*) Term: **15 Years**

(21) Appl. No.: **29/639,633**

(22) Filed: **Mar. 7, 2018**

(51) **LOC (13) Cl.** ..... **16-01**

(52) **U.S. Cl.**  
USPC ..... **D16/202**

(58) **Field of Classification Search**  
USPC ..... D10/61, 63, 65, 70, 71, 104.1, 106.7;  
D16/200, 202-203, 207, 208, 218, 219;  
D14/203.1, 204, 209.1, 496, 497;  
348/14.01-14.6, 373-376; 396/427, 535,  
396/539-541  
CPC ..... G03B 17/02; G03B 19/04; G03B 17/56;  
G03B 17/04; G03B 15/03; H04N 5/2251;  
H04N 5/2252; H04N 5/2253; H04N  
5/2254; H04N 2101/00; H04N 2007/145;  
H04N 7/141; H04N 7/142; H04N 7/147;  
H04N 7/148; H04N 7/15; H04N 7/152  
See application file for complete search history.

(56) **References Cited**

**U.S. PATENT DOCUMENTS**

6,738,094 B1 5/2004 Minami et al.  
D497,925 S 11/2004 Zhang et al.

6,845,954 B1 1/2005 Moayer et al.  
7,572,073 B2 8/2009 Kenoyer et al.  
D627,813 S 11/2010 Chen et al.  
D631,497 S \* 1/2011 Han ..... D16/202  
D641,388 S \* 7/2011 Shih ..... D16/202  
D643,456 S 8/2011 Won et al.  
D665,439 S \* 8/2012 Khamsepoor ..... D16/202  
D669,108 S 10/2012 Maeyama  
D680,144 S \* 4/2013 Tsai ..... D16/202  
D680,569 S \* 4/2013 Lee ..... D16/202  
D682,332 S \* 5/2013 Wang ..... D16/202

(Continued)

**OTHER PUBLICATIONS**

Avaya, Scopia® XT Executive 240 (55411-00001), <<https://support.avaya.com/products/P1455/scopia-xt-executive-240>>.

*Primary Examiner* — Ramzi S Almatrahi

(74) *Attorney, Agent, or Firm* — Saidman DesignLaw Group, LLC

(57) **CLAIM**

The ornamental design for a camera system, as shown and described.

**DESCRIPTION**

FIG. 1 is a perspective view of a camera system showing our new design;

FIG. 2 is a front view thereof;

FIG. 3 is a rear view thereof;

FIG. 4 is a left side view thereof;

FIG. 5 is a right side view thereof;

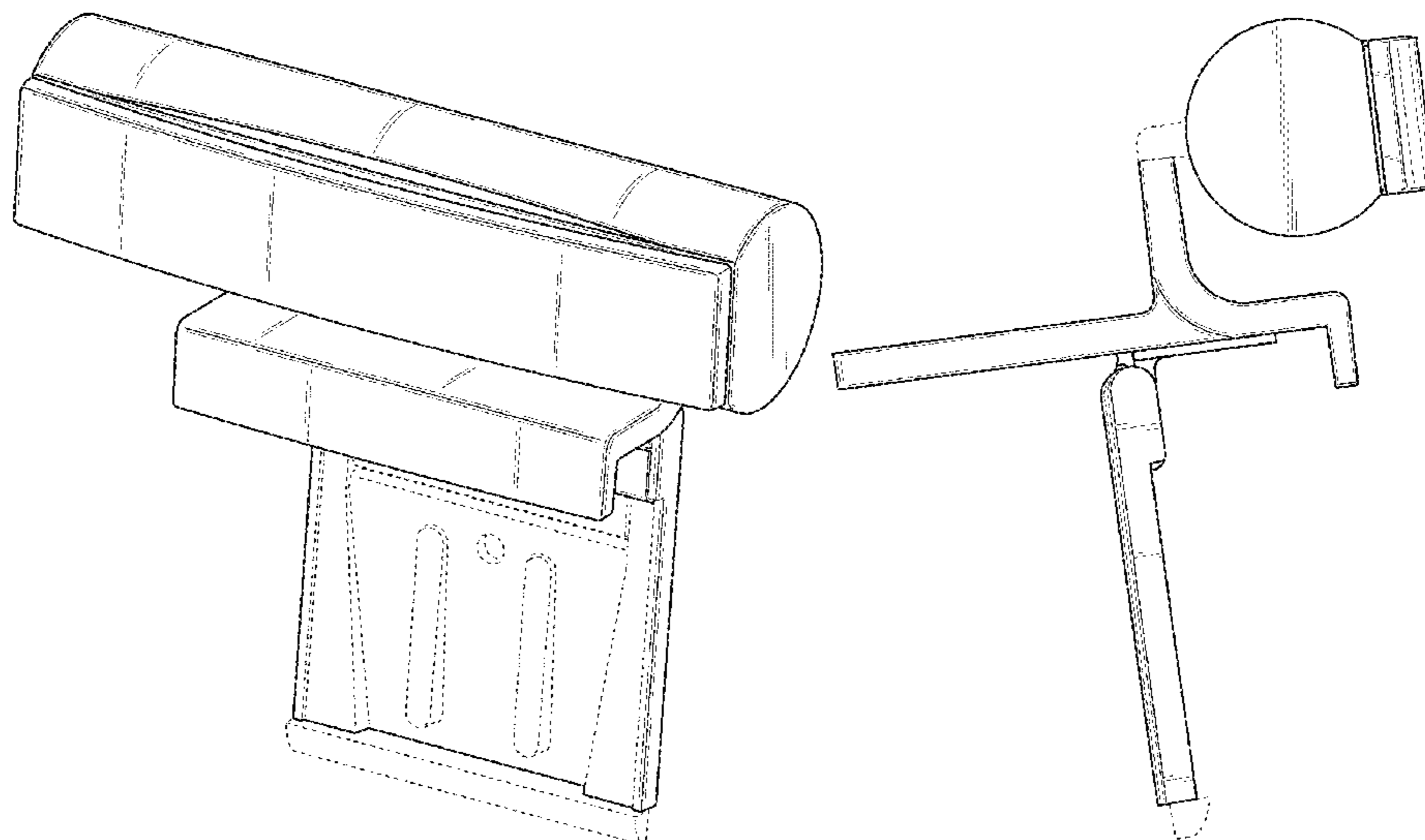
FIG. 6 is a top view thereof; and,

FIG. 7 is a bottom view thereof.

The broken lines illustrate portions of the camera system which form no part of the claimed design. Additionally, the dash-dot lines denote the boundary of the claim and form no part of the claimed design.

The drawings include surface shading which illustrates contour and not surface ornamentation.

**1 Claim, 6 Drawing Sheets**



(56)

**References Cited**

U.S. PATENT DOCUMENTS

D685,015 S \* 6/2013 Wang ..... D16/202  
8,593,567 B2 \* 11/2013 Xiao ..... H04N 5/2251  
348/373  
D709,117 S \* 7/2014 Gan ..... D16/202  
D712,946 S \* 9/2014 Hong ..... D16/202  
D745,586 S 12/2015 Chou et al.  
D800,201 S \* 10/2017 Song ..... D16/202  
D849,086 S \* 5/2019 Russo ..... D16/202  
D872,792 S \* 1/2020 Fletcher ..... D16/219  
2005/0231587 A1 10/2005 Root et al.

\* cited by examiner

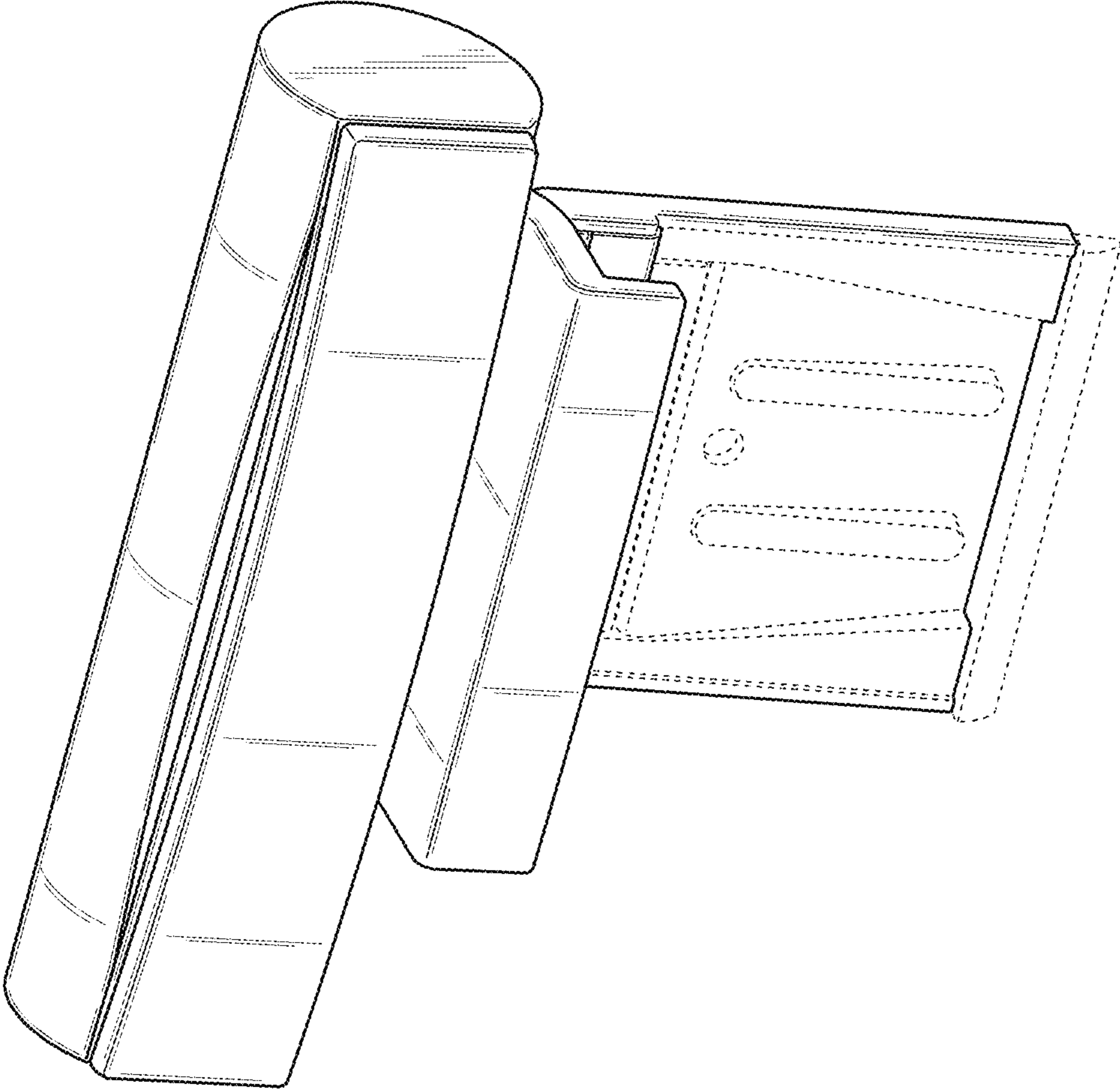


Fig. 1

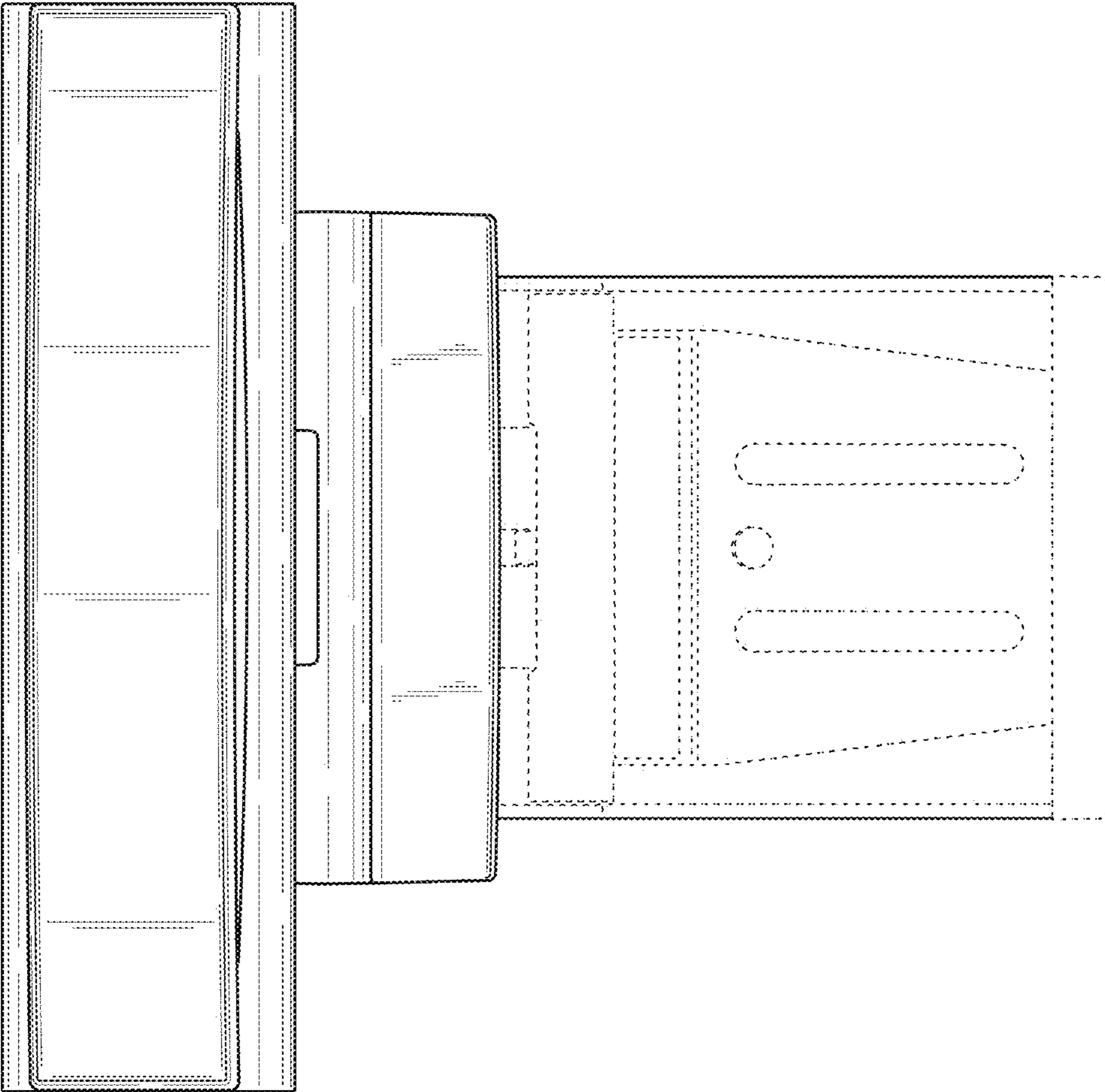


Fig. 2

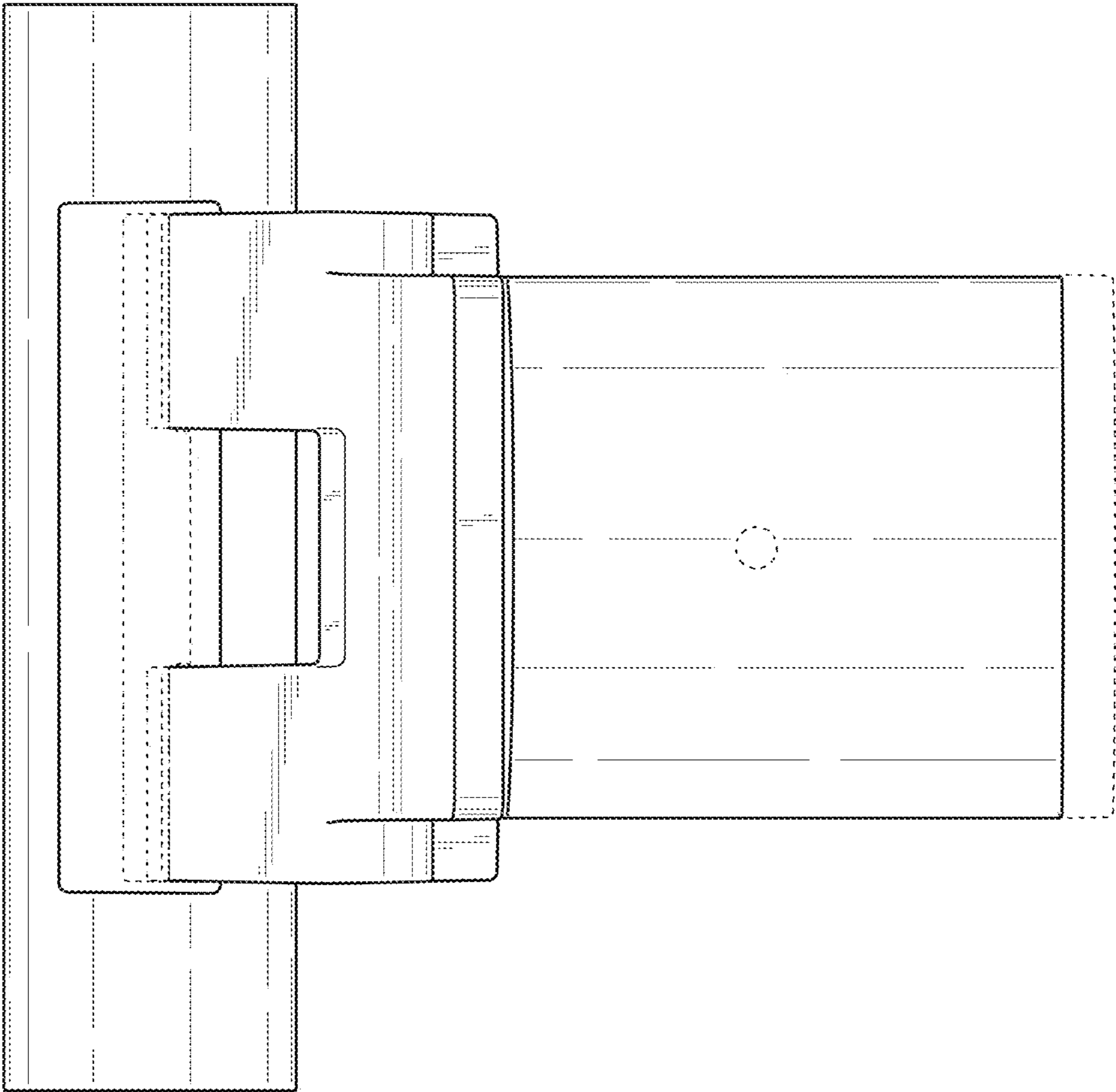


Fig. 3

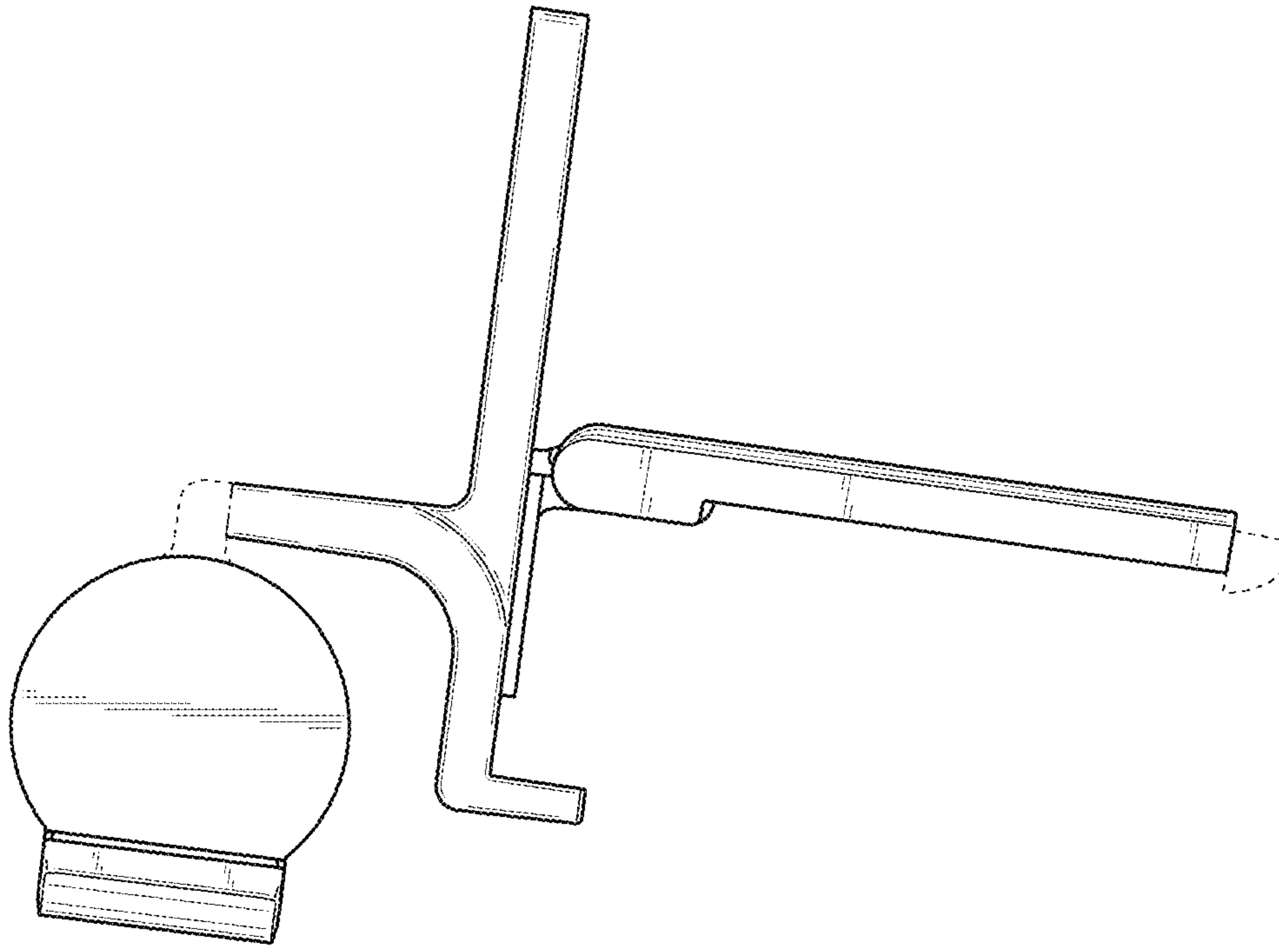


Fig. 5

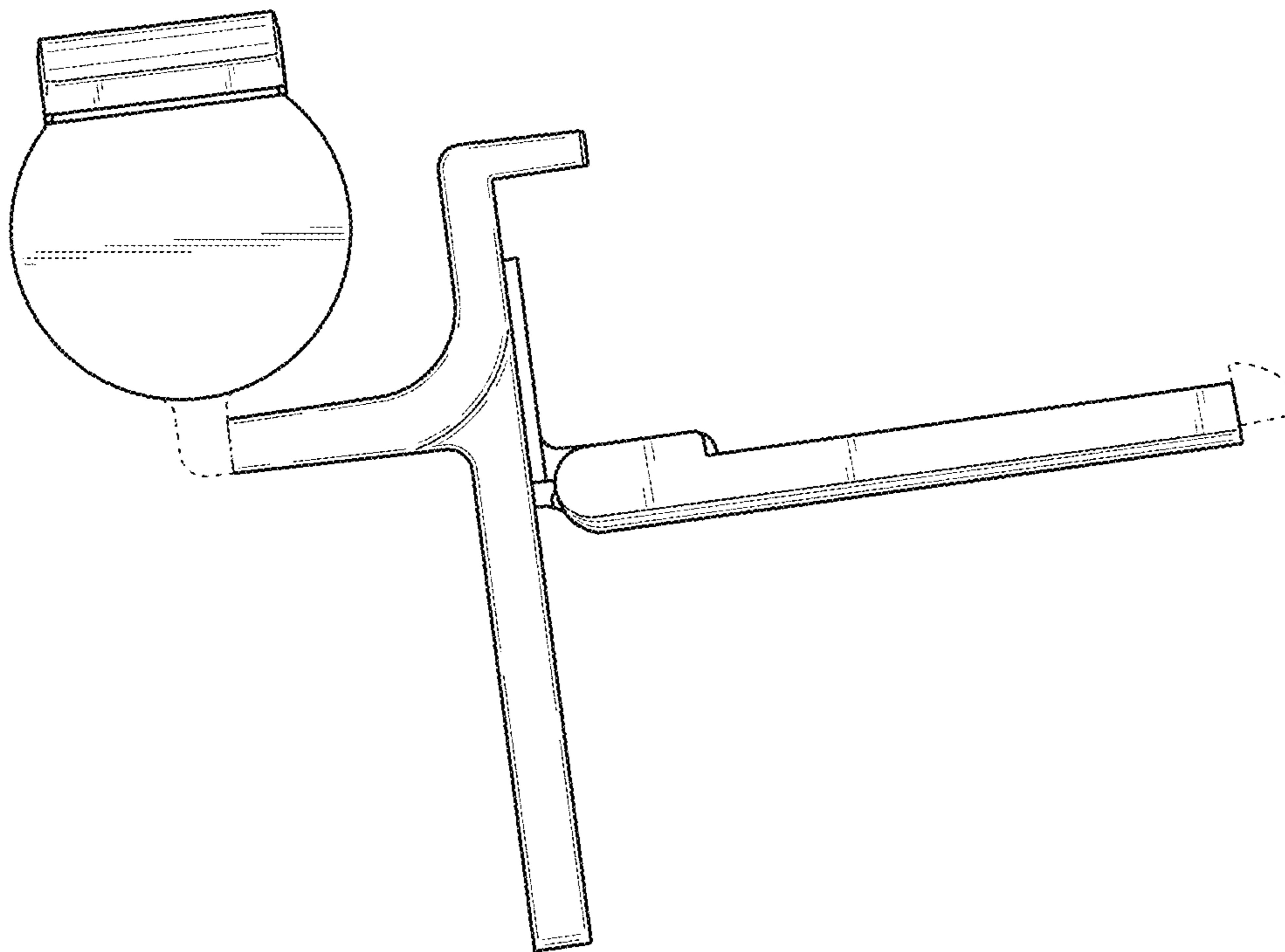


Fig. 4

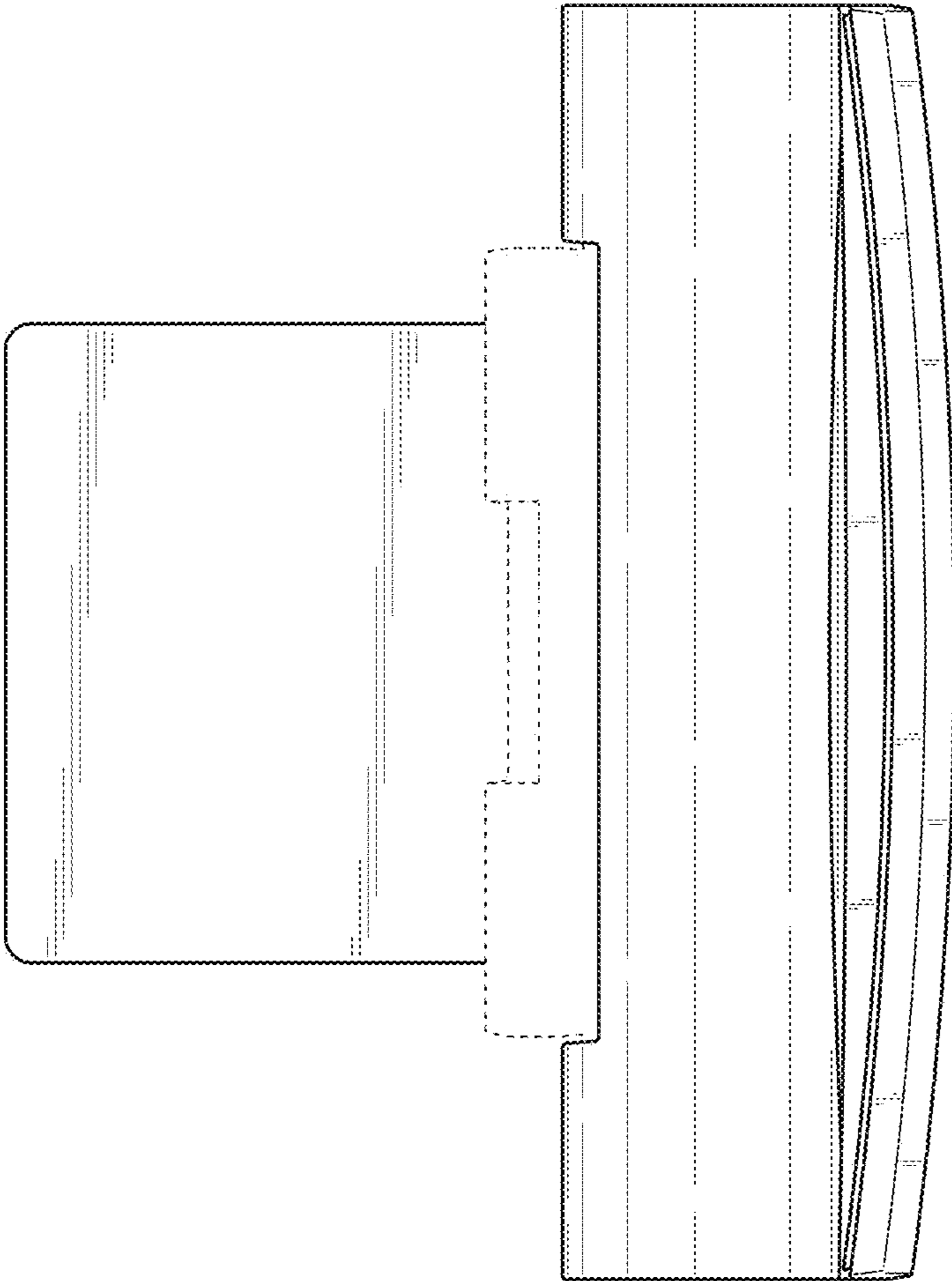


Fig. 6

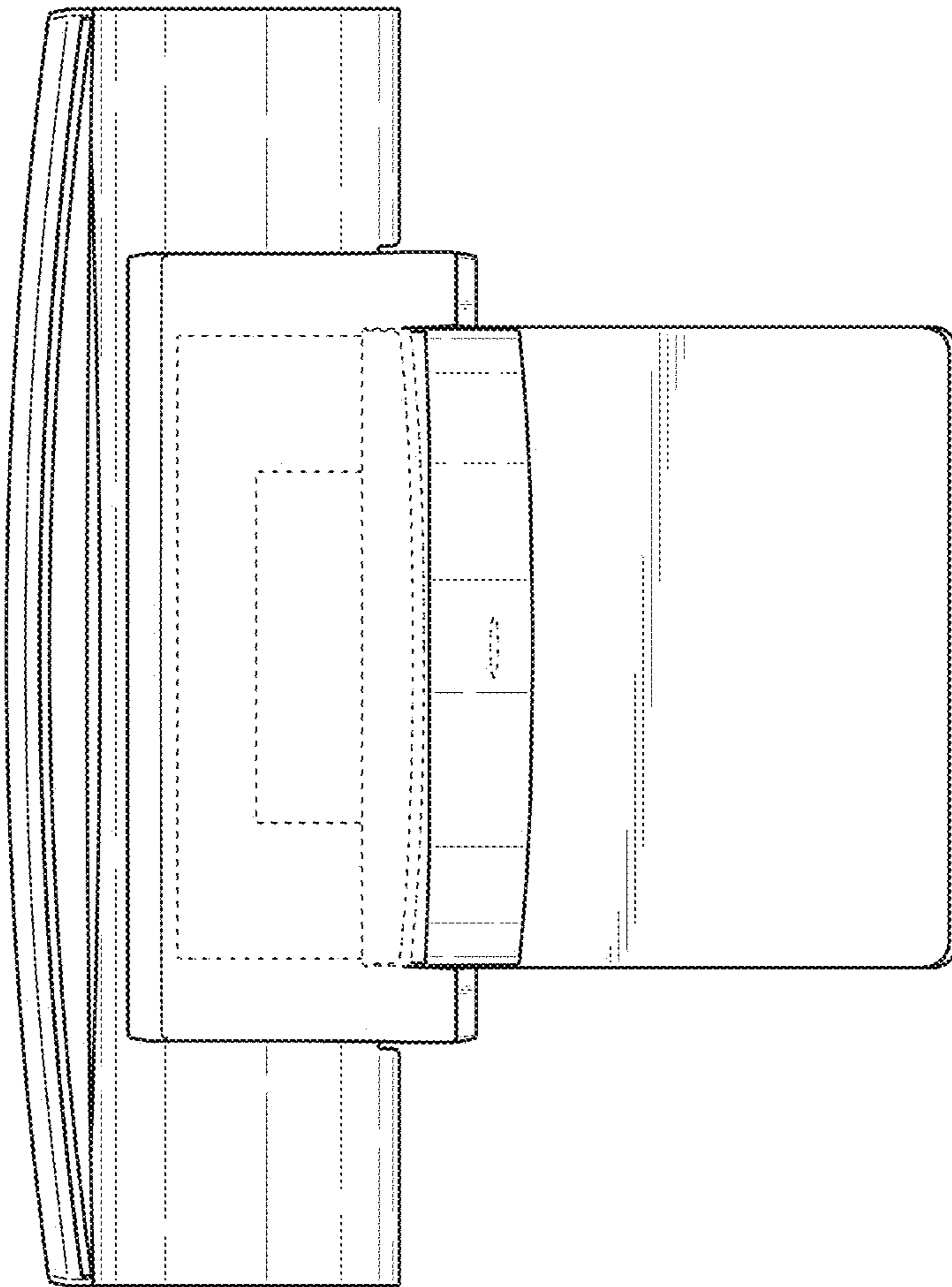


Fig. 7