



US00D909443S

(12) **United States Design Patent**
Chen

(10) **Patent No.:** **US D909,443 S**

(45) **Date of Patent:** **** Feb. 2, 2021**

(54) **MICROSCOPE**

(71) Applicant: **Laxco Incorporated**, Bothell, WA (US)

(72) Inventor: **Congliang Chen**, Bothell, WA (US)

(73) Assignee: **Laxco Incorporated**, Mill Creek, WA (US)

(**) Term: **15 Years**

(21) Appl. No.: **29/670,440**

(22) Filed: **Nov. 15, 2018**

(51) **LOC (13) Cl.** **16-06**

(52) **U.S. Cl.**
USPC **D16/131**

(58) **Field of Classification Search**

USPC D16/131, 136, 130, 132-135, 200, 202,
D16/203, 218, 219; D22/100, 108, 109,
D22/110, 199

CPC G02B 21/24; G02B 21/34; G02B 27/0006;
G02B 7/00; G02B 7/001; G02B 17/00;
G02B 1/00; G02B 1/002; G02B 1/0008;
G02B 1/0012

See application file for complete search history.

(56) **References Cited**

U.S. PATENT DOCUMENTS

D674,831 S * 1/2013 Wunnicke D16/132
D681,087 S * 4/2013 Kung D16/131

D681,089 S * 4/2013 Au D16/131
D771,169 S * 11/2016 Weber D16/131
D780,819 S * 3/2017 Watanabe D16/131
D849,816 S * 5/2019 Klein D16/131
D859,487 S * 9/2019 Chen D16/131
D862,555 S * 10/2019 Apotheloz D16/131
D865,833 S * 11/2019 Chen D16/131
D866,629 S * 11/2019 Chen D16/131
D866,630 S * 11/2019 Chen D16/131

* cited by examiner

Primary Examiner — Mark A Goodwin

Assistant Examiner — Benjamin M Weeks

(74) *Attorney, Agent, or Firm* — Lee & Hayes, P.C.

(57) **CLAIM**

The ornamental design for a microscope, as shown and described.

DESCRIPTION

FIG. 1 is a top, front perspective view of a microscope;

FIG. 2 is a front view thereof;

FIG. 3 is a back view thereof;

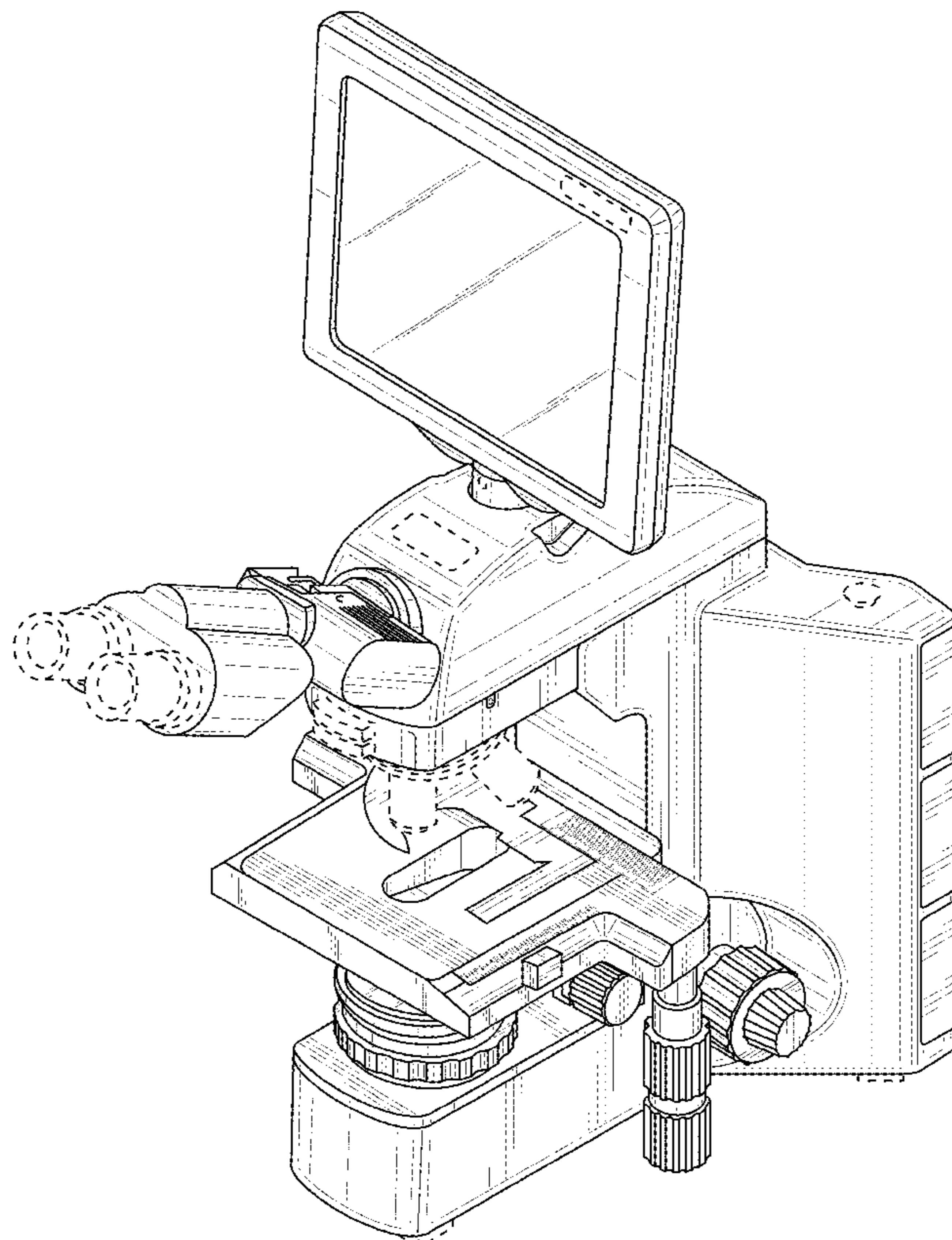
FIG. 4 is a left-side view thereof;

FIG. 5 is a right-side view thereof; and,

FIG. 6 is a top view thereof.

The broken lines depict portions of the microscope that form no part of the claimed design. The bottom view is omitted as forming no part of the claimed design.

1 Claim, 6 Drawing Sheets



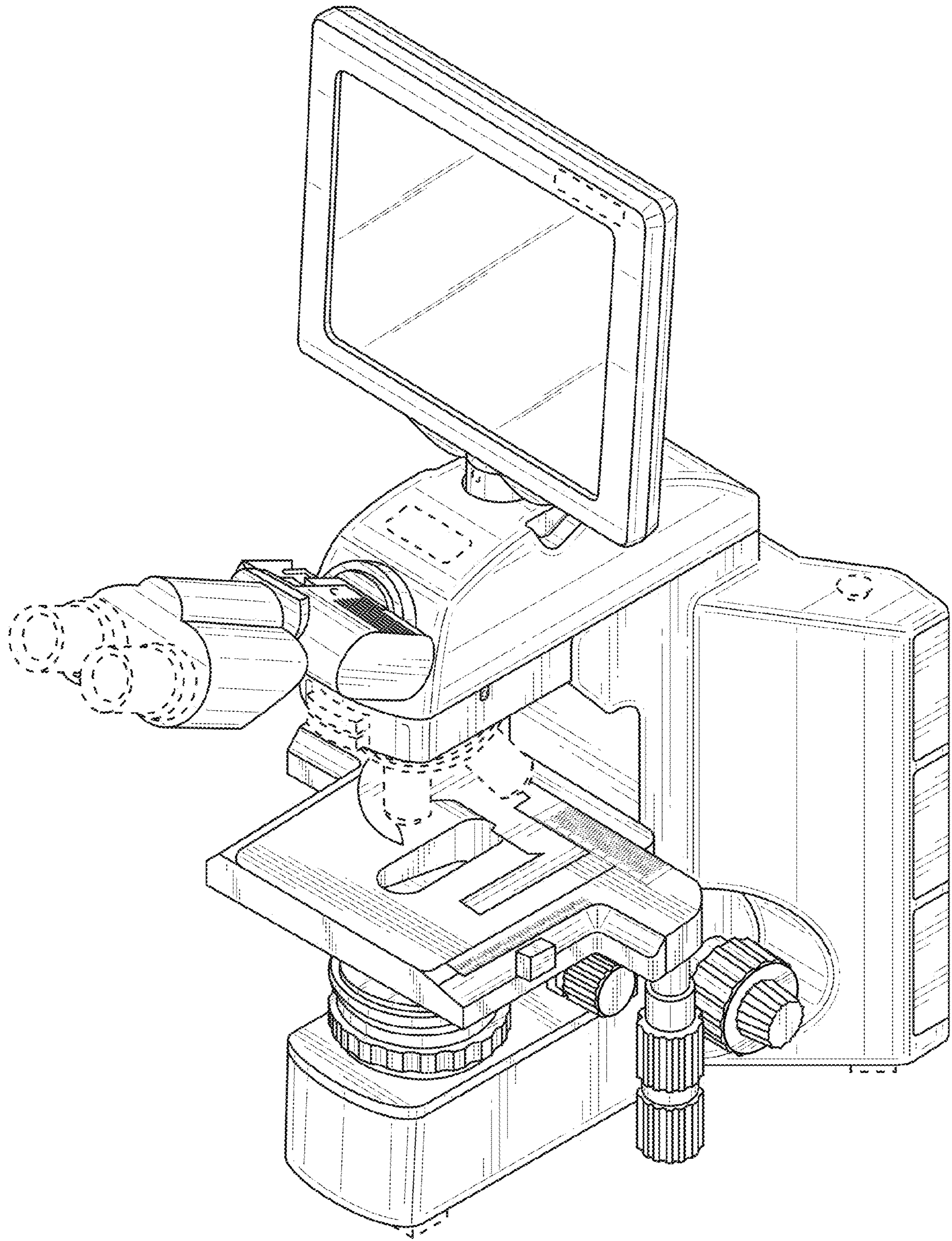


FIG. 1

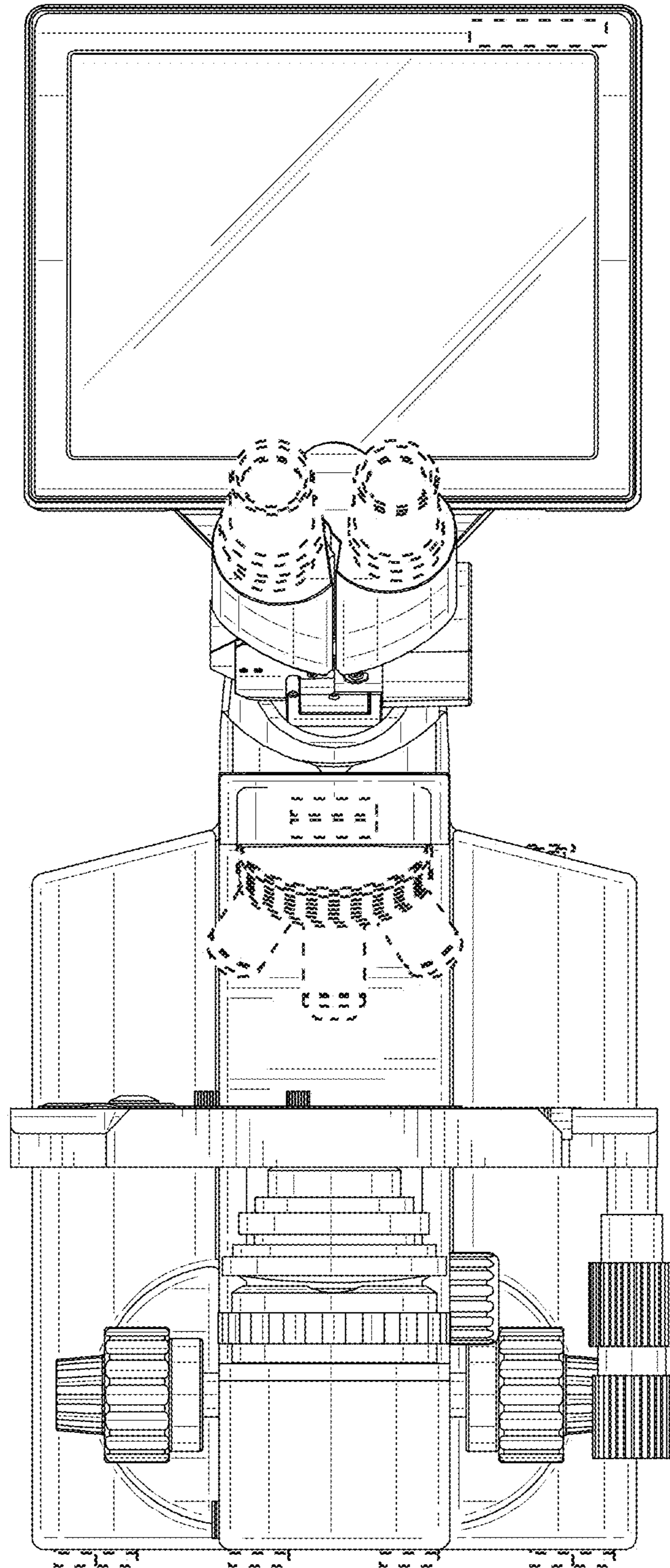


FIG. 2

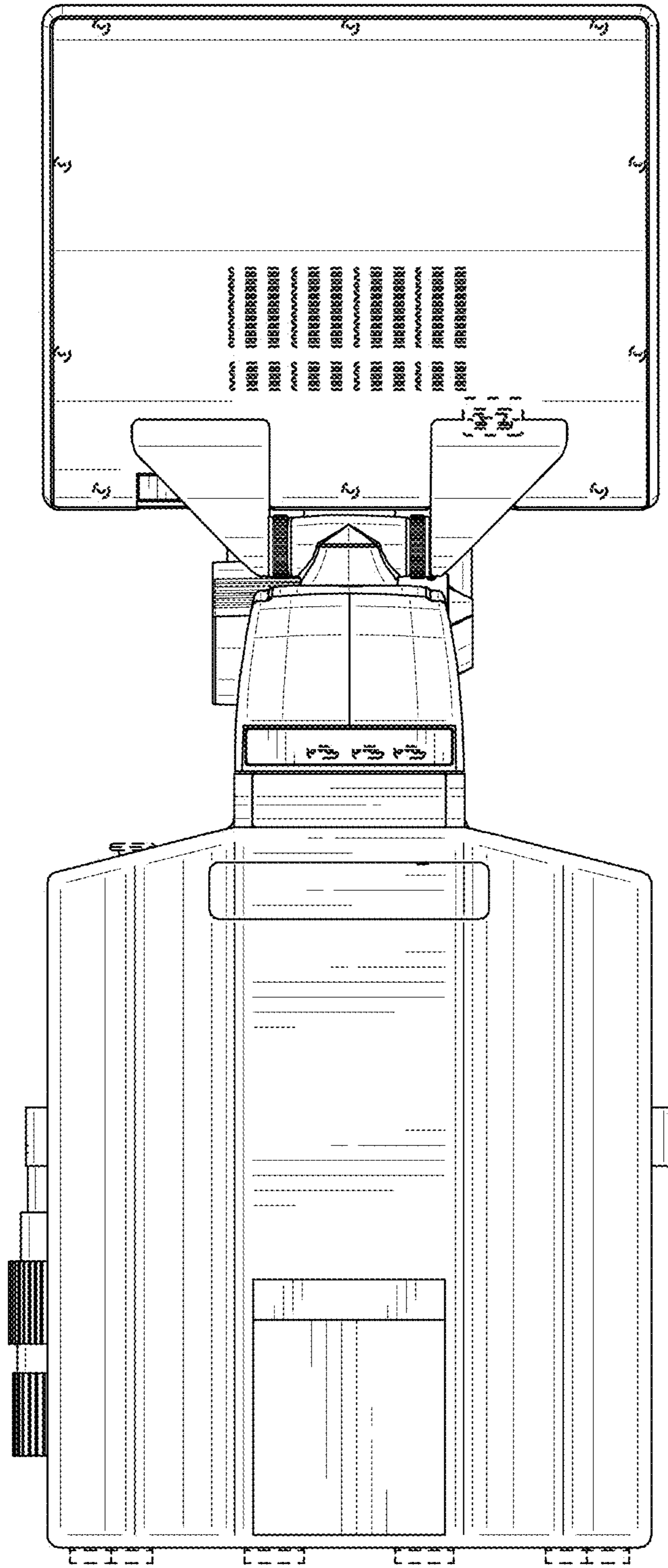


FIG. 3

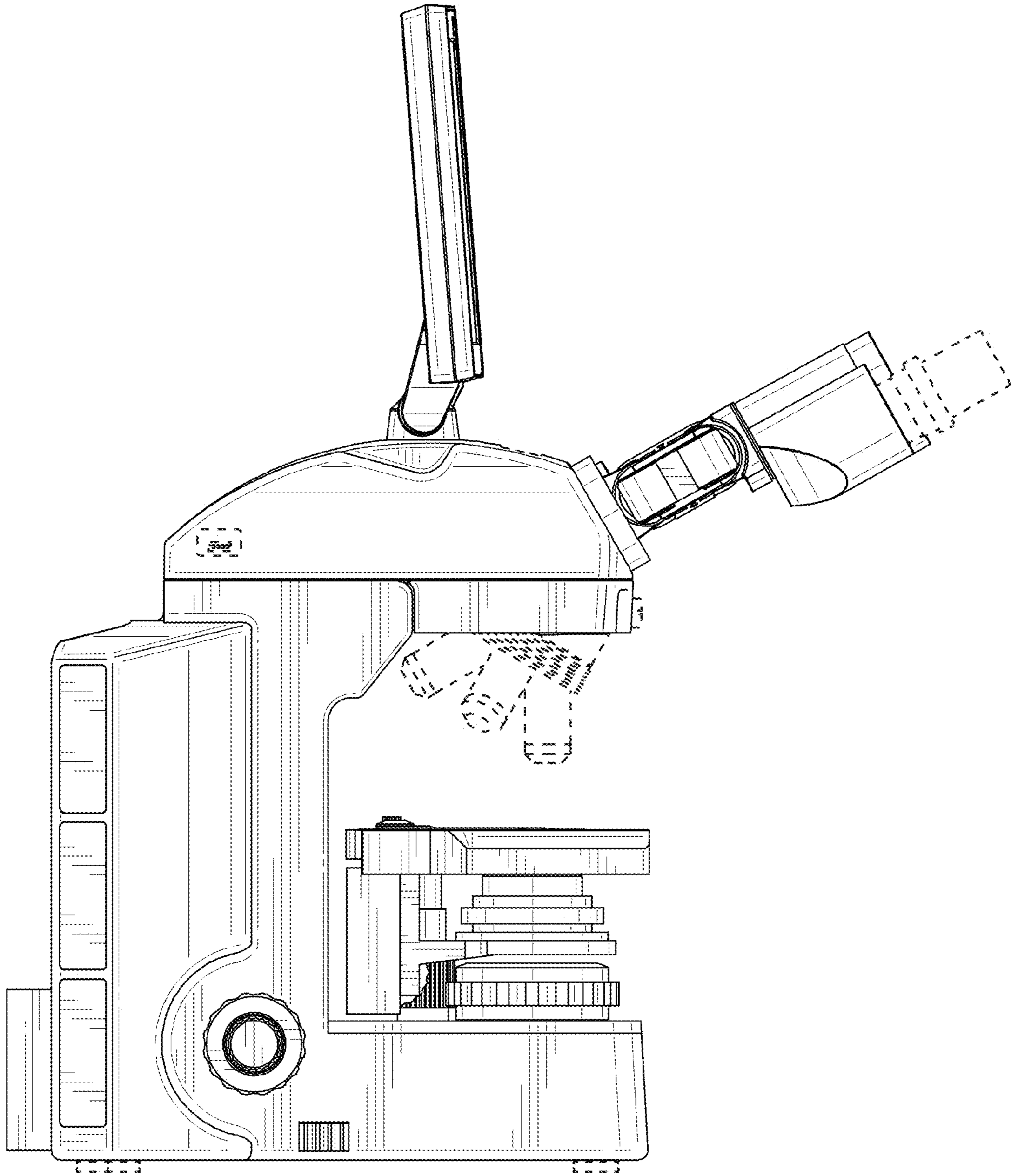


FIG. 4

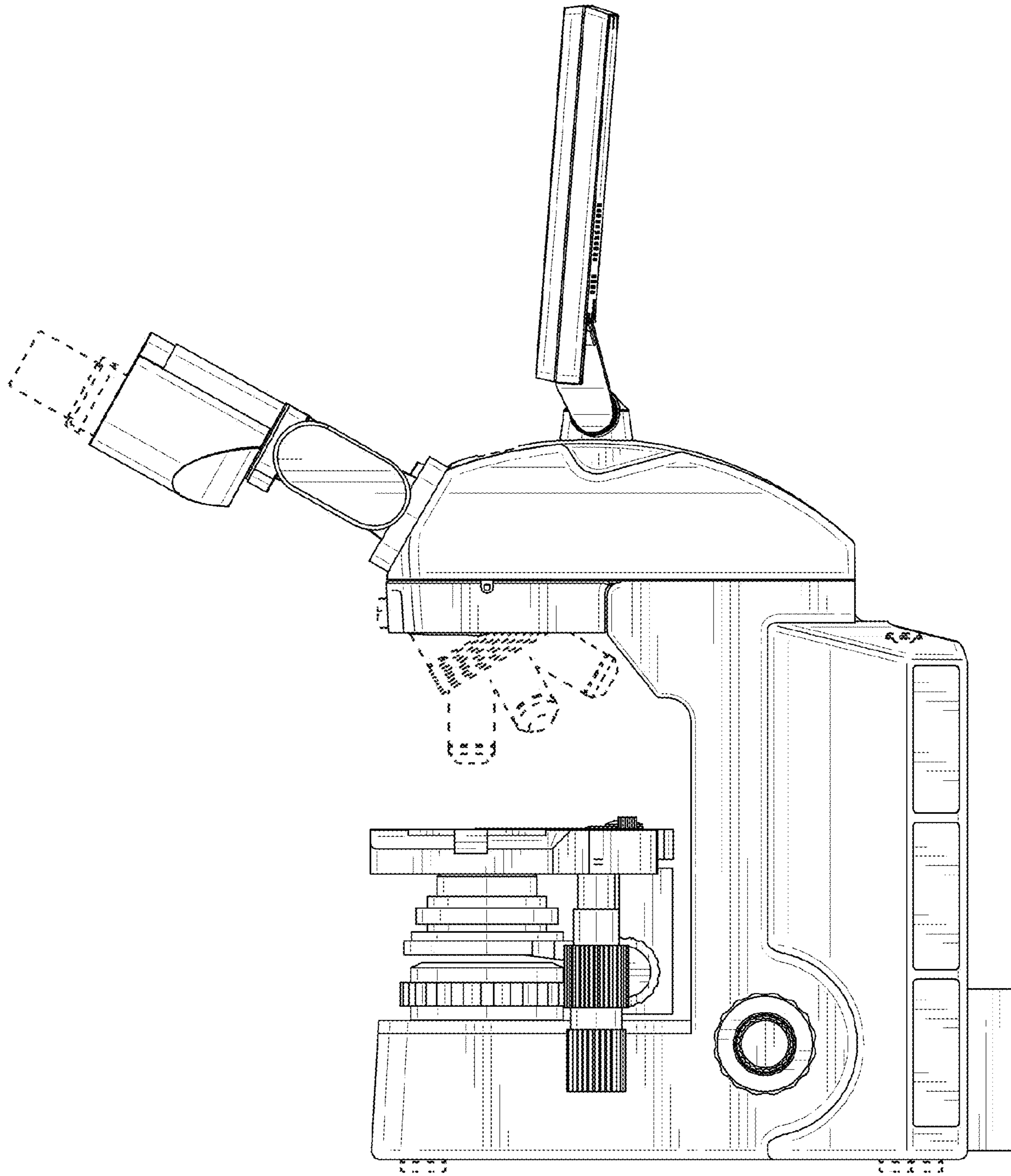


FIG. 5

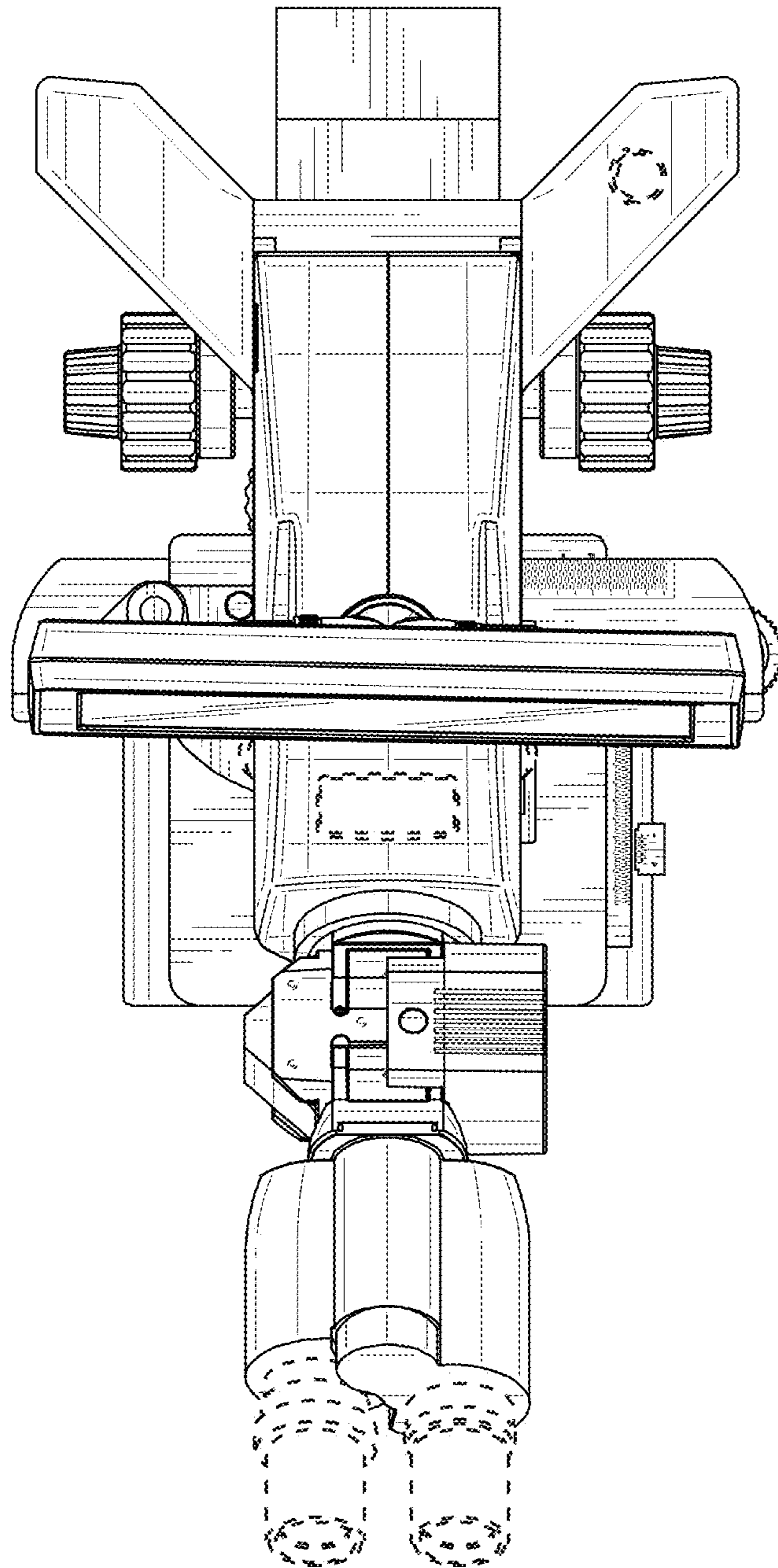


FIG. 6