



US00D909442S

(12) **United States Design Patent**
Zhao et al.

(10) **Patent No.:** **US D909,442 S**

(45) **Date of Patent:** **** Feb. 2, 2021**

- (54) **LOGISTIC VEHICLE**
- (71) Applicant: **LINGDONG TECHNOLOGY (BEIJING) CO. LTD**, Beijing (CN)
- (72) Inventors: **Ziran Zhao**, Beijing (CN); **Xin Hou**, Beijing (CN)
- (73) Assignee: **LINGDONG TECHNOLOGY (BEIJING) CO. LTD**, Beijing (CN)
- (**) Term: **15 Years**
- (21) Appl. No.: **29/716,389**
- (22) Filed: **Dec. 9, 2019**
- (30) **Foreign Application Priority Data**

- D295,105 S * 4/1988 Dawson D34/18
- 5,658,120 A * 8/1997 Watanabe B23Q 7/1436
414/495
- D468,884 S * 1/2003 Ito D34/12
- D712,447 S * 9/2014 He D15/199
- D735,258 S * 7/2015 Jang D15/199
- D743,647 S * 11/2015 Heck D32/21
- D745,144 S * 12/2015 Aylmer D24/128
- D759,623 S * 6/2016 Dahlberg D10/30
- D810,799 S * 2/2018 Sokuza D15/199
- D812,663 S * 3/2018 Waters D15/199
- D819,711 S * 6/2018 Li D15/199
- D822,736 S * 7/2018 Kato D15/199
- D837,852 S * 1/2019 Nilsson D15/199
- D837,855 S * 1/2019 Chen D15/199
- D839,331 S * 1/2019 Nilsson D15/199
- D841,067 S * 2/2019 Camporesi D15/199
- D841,711 S * 2/2019 Liu D15/199
- D843,428 S * 3/2019 Gee D15/199
- D849,813 S * 5/2019 Sutherland D15/199

(Continued)

Jul. 25, 2019 (CN) 2019 3 0399169

- (51) **LOC (13) Cl.** **15-99**
- (52) **U.S. Cl.**
USPC **D15/199**; D34/34
- (58) **Field of Classification Search**
USPC D15/199; D21/578-583, 621, 622;
D32/21; D34/34
CPC B23K 9/133; B23K 9/287; B25J 9/0018;
B25J 19/0025; Y10T 74/20; Y10T
74/20207; Y10T 74/20311; Y10T
74/20305; Y10S 901/01
See application file for complete search history.

(56) **References Cited**

U.S. PATENT DOCUMENTS

- 4,137,984 A * 2/1979 Jennings B62D 1/28
180/168
- 4,496,274 A * 1/1985 Pipes B60L 15/2036
414/340
- 4,657,463 A * 4/1987 Pipes B62D 1/24
180/167

Primary Examiner — Patricia A Palasik

(74) *Attorney, Agent, or Firm* — Winston Hsu

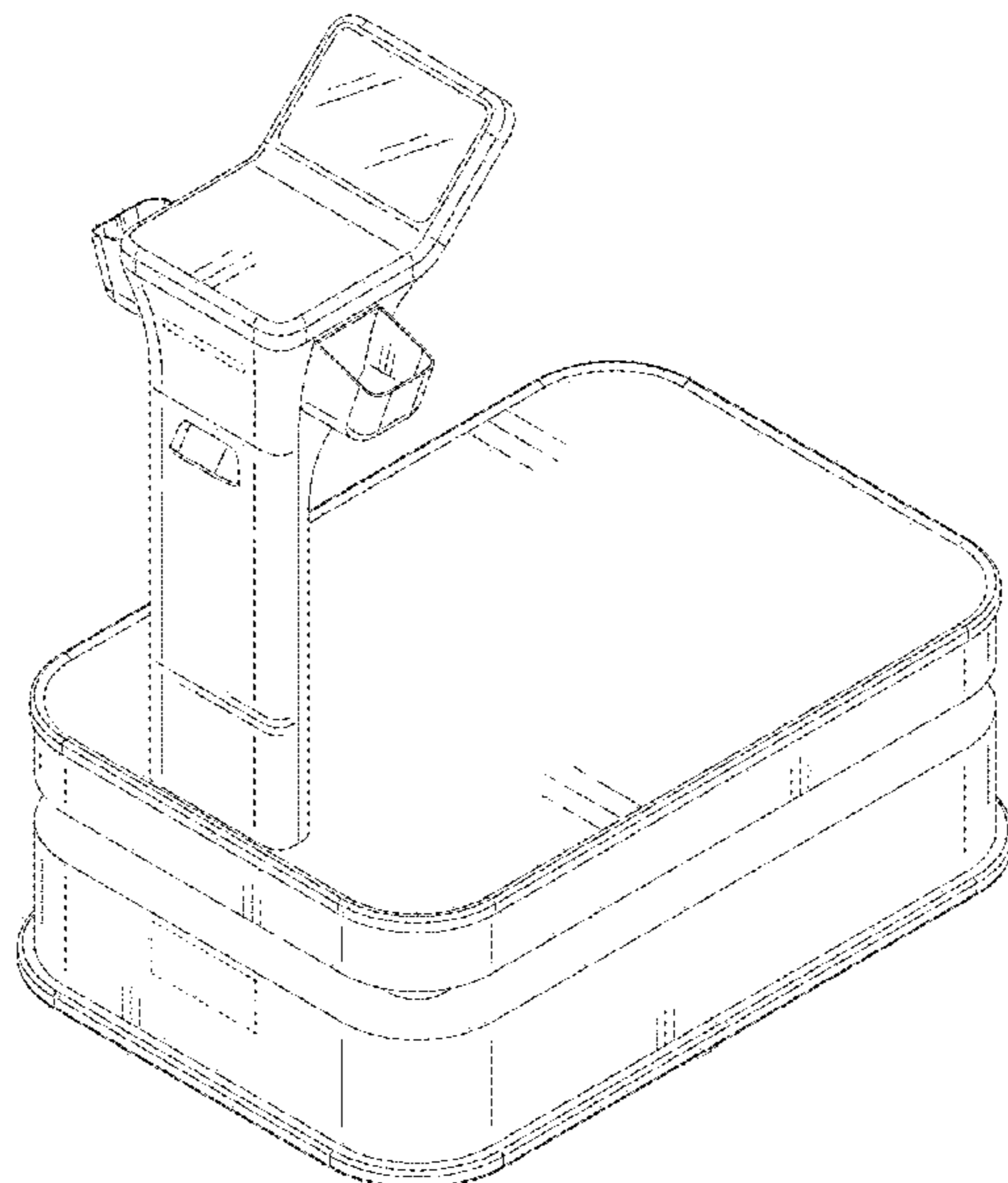
(57) **CLAIM**

The ornamental design for a logistic vehicle, as shown and described.

DESCRIPTION

FIG. 1 is a top, front, and right side perspective view for a logistic vehicle showing our new design;
 FIG. 2 is a top, rear, and left side perspective view thereof;
 FIG. 3 is a front elevation view thereof;
 FIG. 4 is a rear elevation view thereof;
 FIG. 5 is a left side elevation view thereof;
 FIG. 6 is a right side elevation view thereof;
 FIG. 7 is a top plan view thereof; and,
 FIG. 8 is a bottom plan view thereof.
 The broken lines depict portions of the logistic vehicle that form no part of the claimed design.

1 Claim, 8 Drawing Sheets



(56)

References Cited

U.S. PATENT DOCUMENTS

D856,389	S *	8/2019	Gayne	D15/199
D857,073	S *	8/2019	Gayne	D15/199
D871,475	S *	12/2019	Kolb	D15/199
D871,476	S *	12/2019	Kolb	D15/199
D876,278	S *	2/2020	Sokuza	D12/16.1
D888,790	S *	6/2020	Yao	D15/199
2009/0035181	A1 *	2/2009	Chung	A61B 5/00 422/68.1
2011/0135189	A1 *	6/2011	Lee	B25J 9/1682 382/153
2014/0074287	A1 *	3/2014	LaFary	B25J 9/1676 700/253
2015/0088359	A1 *	3/2015	Choi	G05D 1/0225 701/23

* cited by examiner

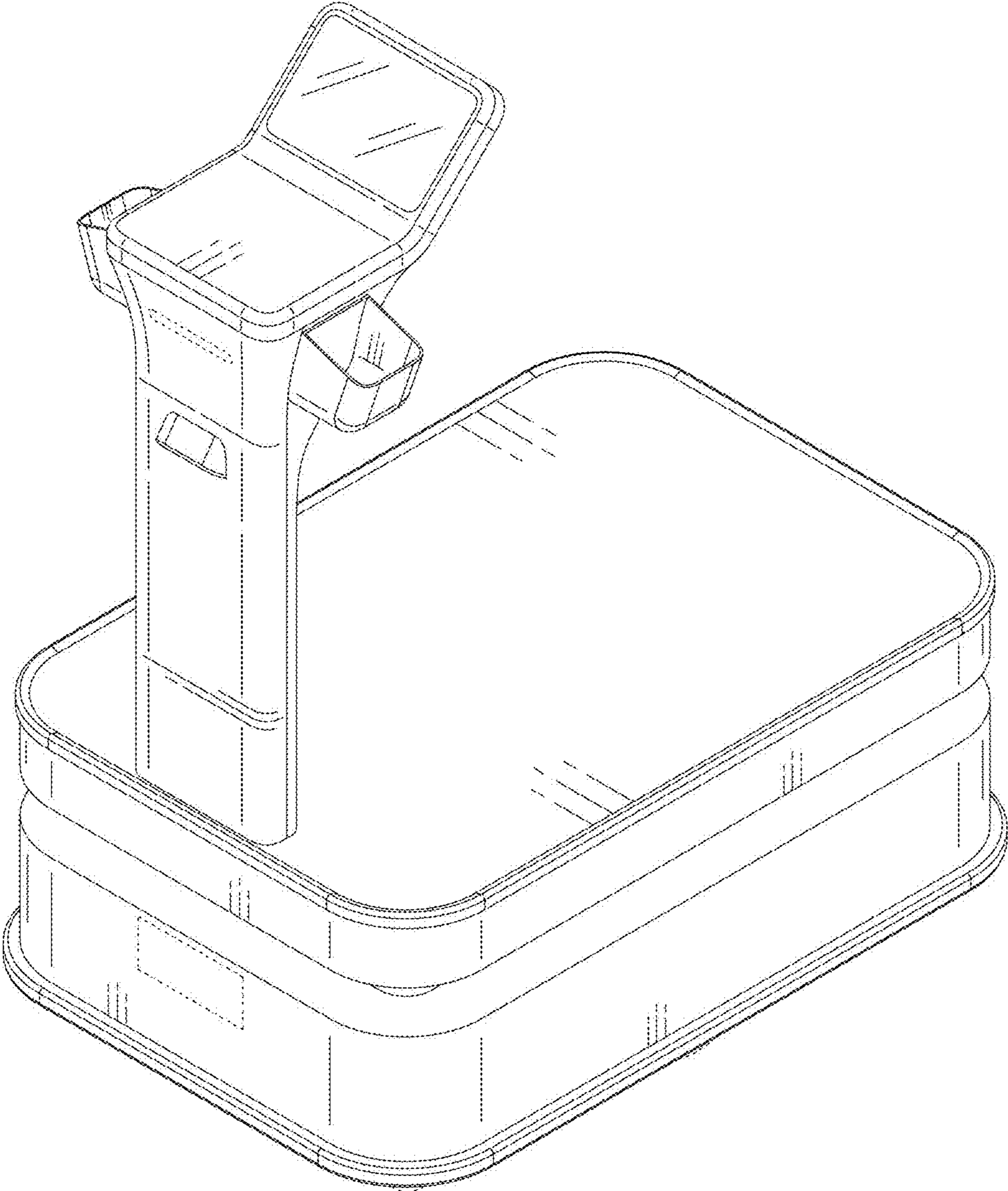


FIG. 1

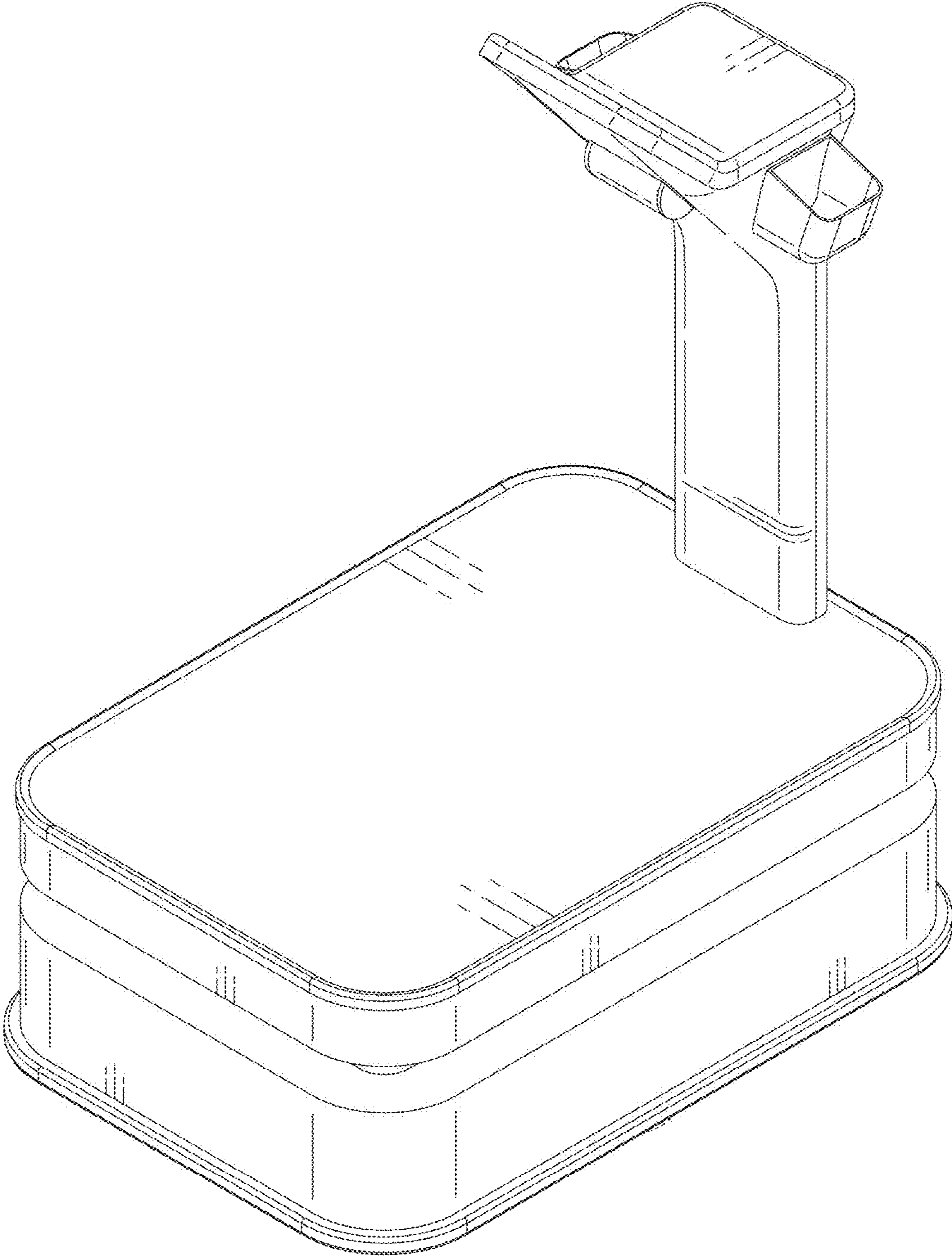


FIG. 2

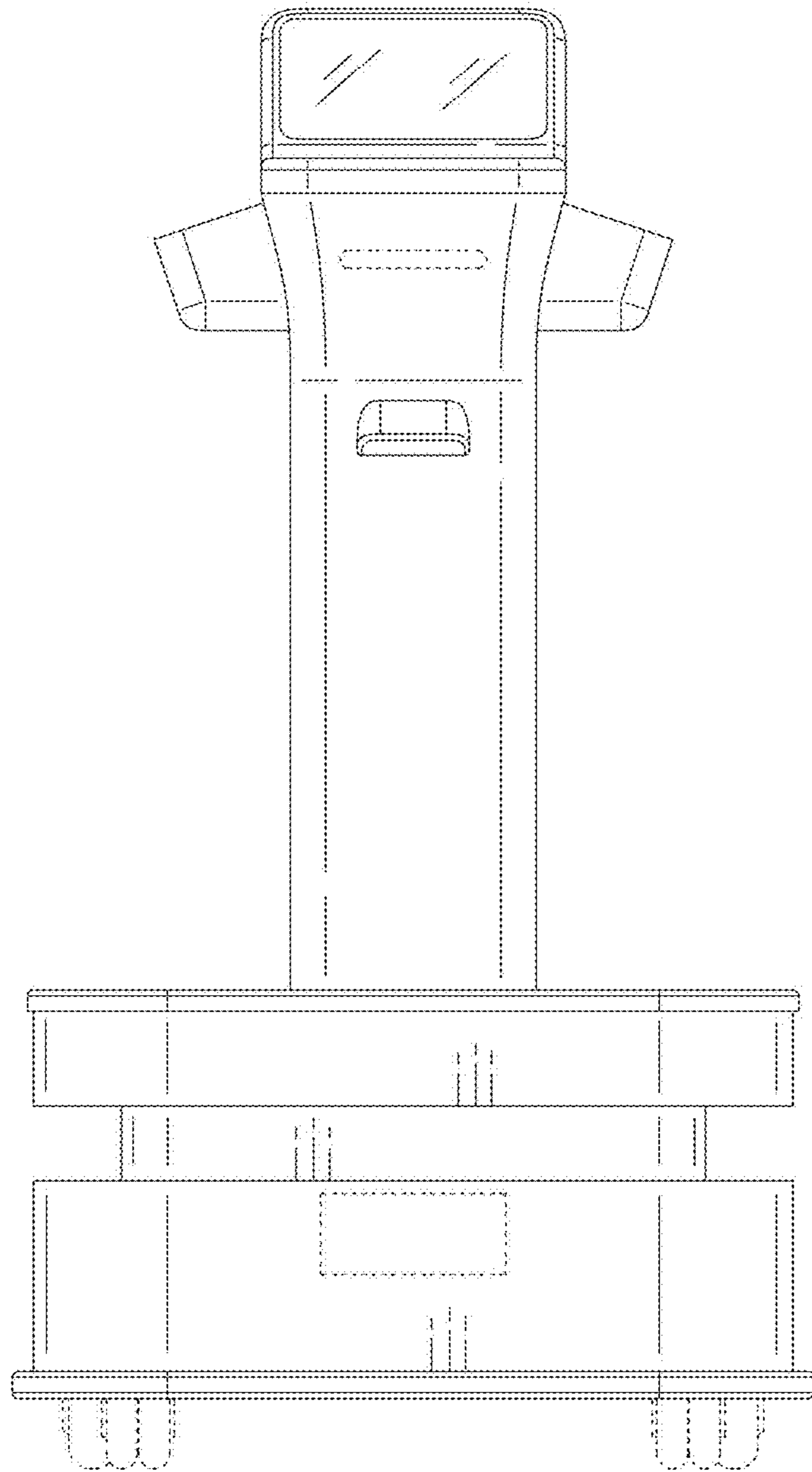


FIG. 3

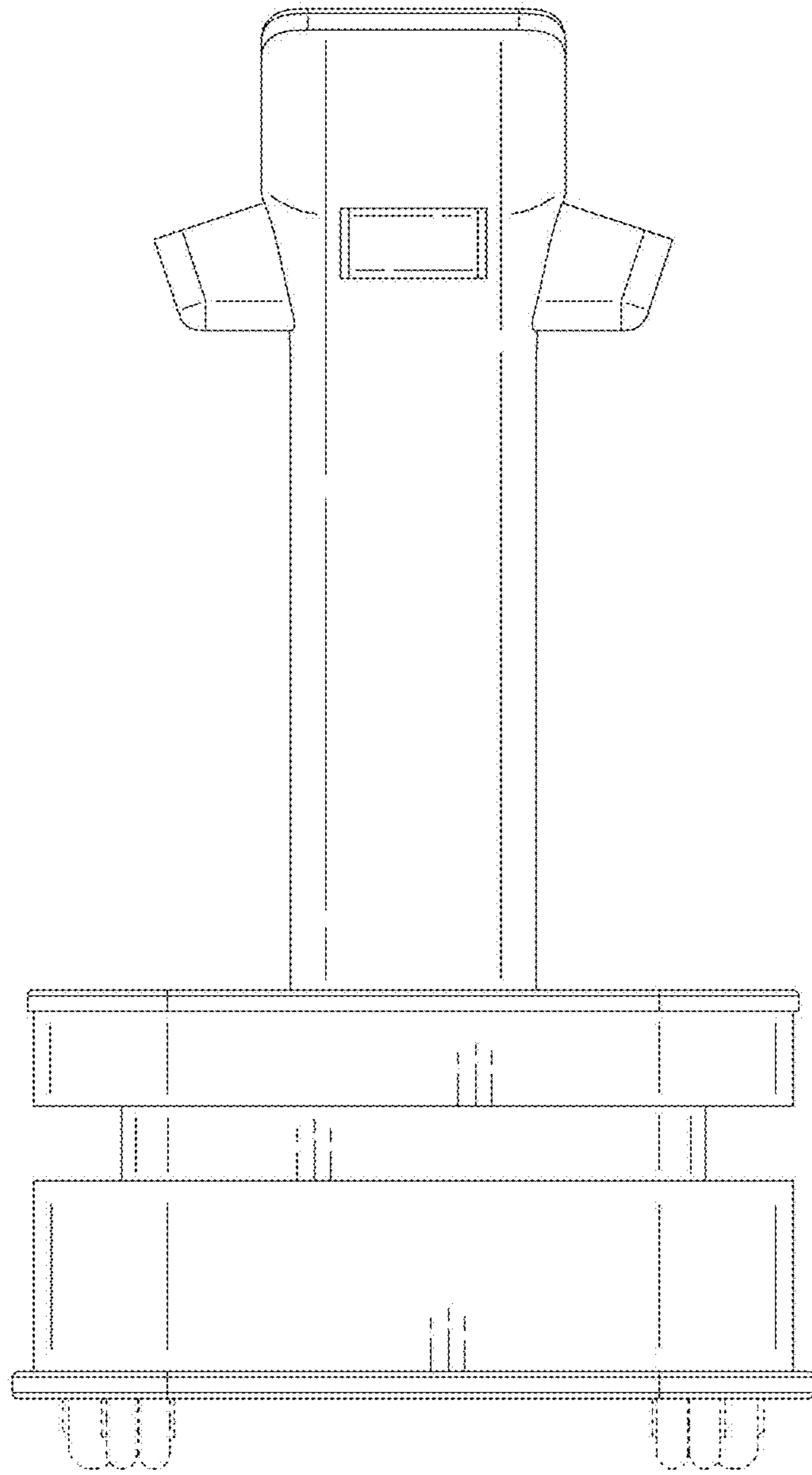


FIG. 4

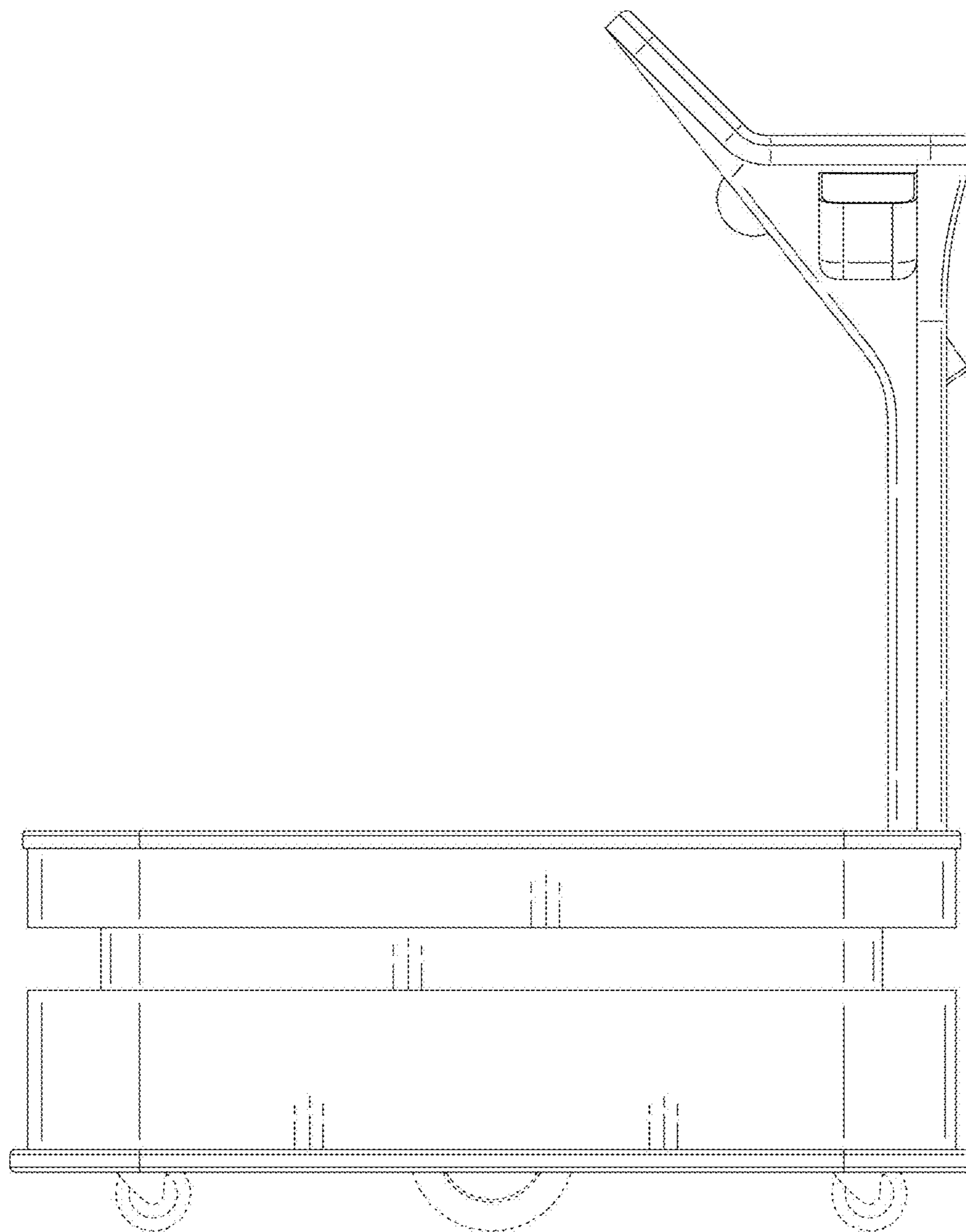


FIG. 5

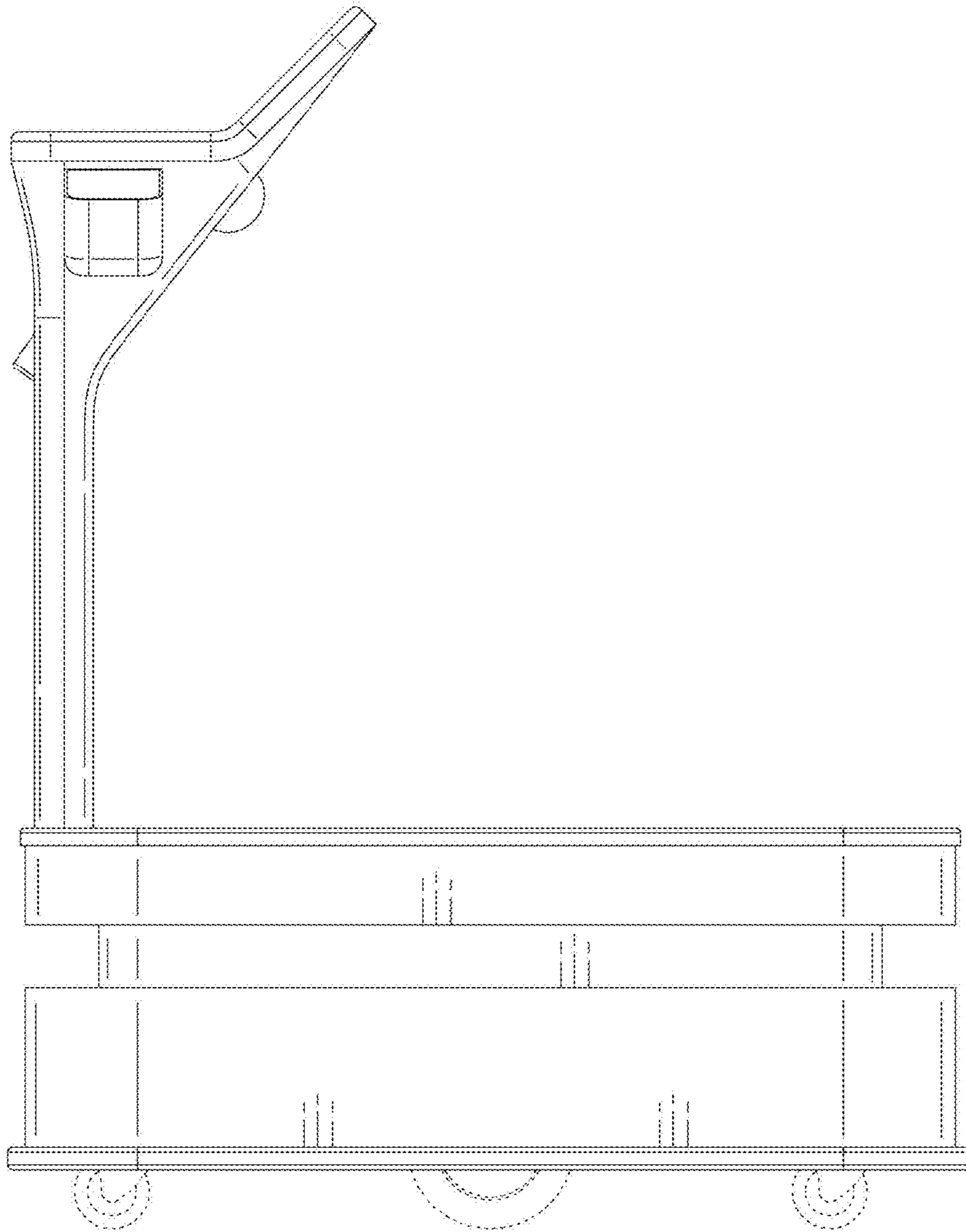


FIG. 6

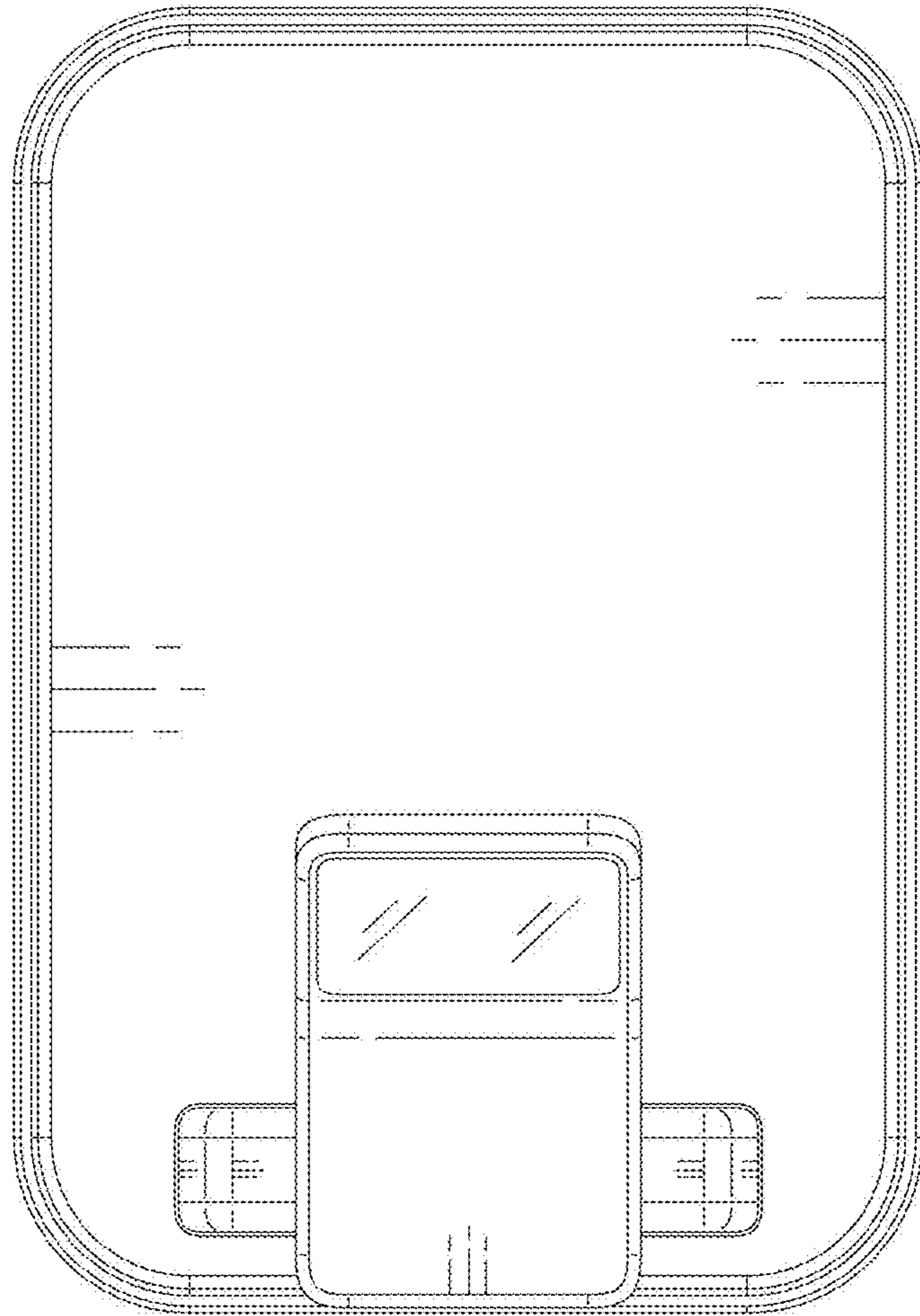


FIG. 7

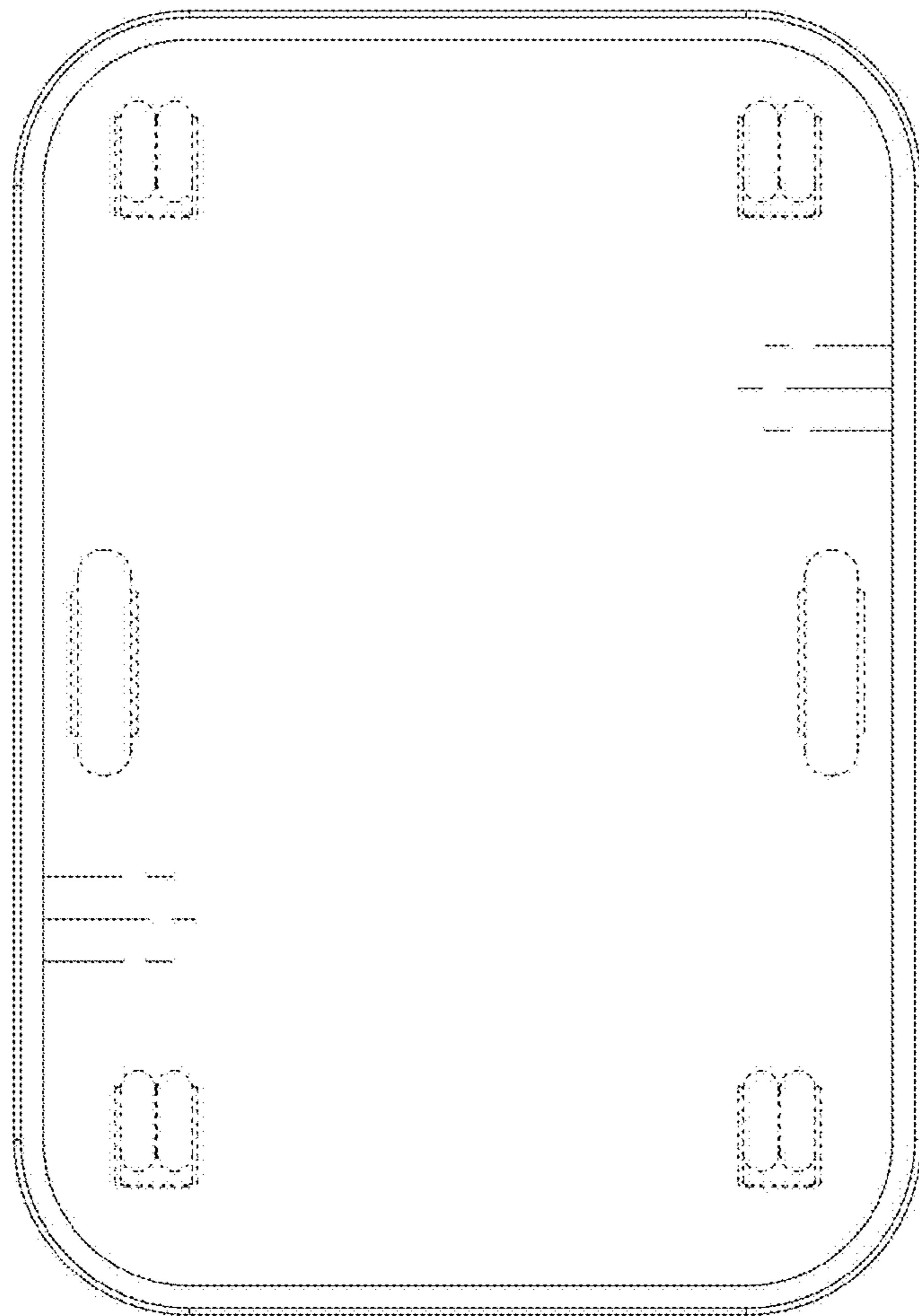


FIG. 8