



US00D909441S

(12) **United States Design Patent** (10) **Patent No.:** **US D909,441 S**  
**Zhao** (45) **Date of Patent:** **\*\* Feb. 2, 2021**

(54) **LOGISTIC VEHICLE**  
(71) Applicant: **LINGDONG TECHNOLOGY (BEIJING) CO. LTD**, Beijing (CN)  
(72) Inventor: **Ziran Zhao**, Beijing (CN)  
(73) Assignee: **LINGDONG TECHNOLOGY (BEIJING) CO. LTD**, Beijing (CN)  
(\*\*) Term: **15 Years**  
(21) Appl. No.: **29/716,384**  
(22) Filed: **Dec. 9, 2019**  
(30) **Foreign Application Priority Data**  
Sep. 25, 2019 (CN) ..... 2019 3 0526390  
(51) **LOC (13) Cl.** ..... **15-99**  
(52) **U.S. Cl.**  
USPC ..... **D15/199; D34/34**  
(58) **Field of Classification Search**  
USPC ..... D15/199; D21/578-583, 621, 622; D32/21; D34/34  
CPC ..... B23K 9/133; B23K 9/287; B25J 9/0018; B25J 19/0025; Y10T 74/20; Y10T 74/20207; Y10T 74/20311; Y10T 74/20305; Y10S 901/01  
See application file for complete search history.

(56) **References Cited**  
U.S. PATENT DOCUMENTS  
4,137,984 A \* 2/1979 Jennings ..... B62D 1/28 180/168  
4,496,274 A \* 1/1985 Pipes ..... B60L 15/2036 414/340  
4,657,463 A \* 4/1987 Pipes ..... B62D 1/24 180/167  
D295,105 S \* 4/1988 Dawson ..... D34/18

5,658,120 A \* 8/1997 Watanabe ..... B23Q 7/1436 414/495  
D468,884 S \* 1/2003 Ito ..... D34/12  
D712,447 S \* 9/2014 He ..... D15/199  
D735,258 S \* 7/2015 Jang ..... D15/199  
D743,647 S \* 11/2015 Heck ..... D32/21  
D745,144 S \* 12/2015 Aylmer ..... D24/128  
D759,623 S \* 6/2016 Dahlberg ..... D10/30  
D810,799 S \* 2/2018 Sokuza ..... D15/199  
D812,663 S \* 3/2018 Waters ..... D15/199  
D819,711 S \* 6/2018 Li ..... D15/199  
D822,736 S \* 7/2018 Kato ..... D15/199  
D837,852 S \* 1/2019 Nilsson ..... D15/199  
D837,855 S \* 1/2019 Chen ..... D15/199  
D839,331 S \* 1/2019 Nilsson ..... D15/199  
D841,067 S \* 2/2019 Camporesi ..... D15/199  
D841,711 S \* 2/2019 Liu ..... D15/199  
D843,428 S \* 3/2019 Gee ..... D15/199  
D849,813 S \* 5/2019 Sutherland ..... D15/199  
D856,389 S \* 8/2019 Gayne ..... D15/199

(Continued)

*Primary Examiner* — Patricia A Palasik  
(74) *Attorney, Agent, or Firm* — Winston Hsu

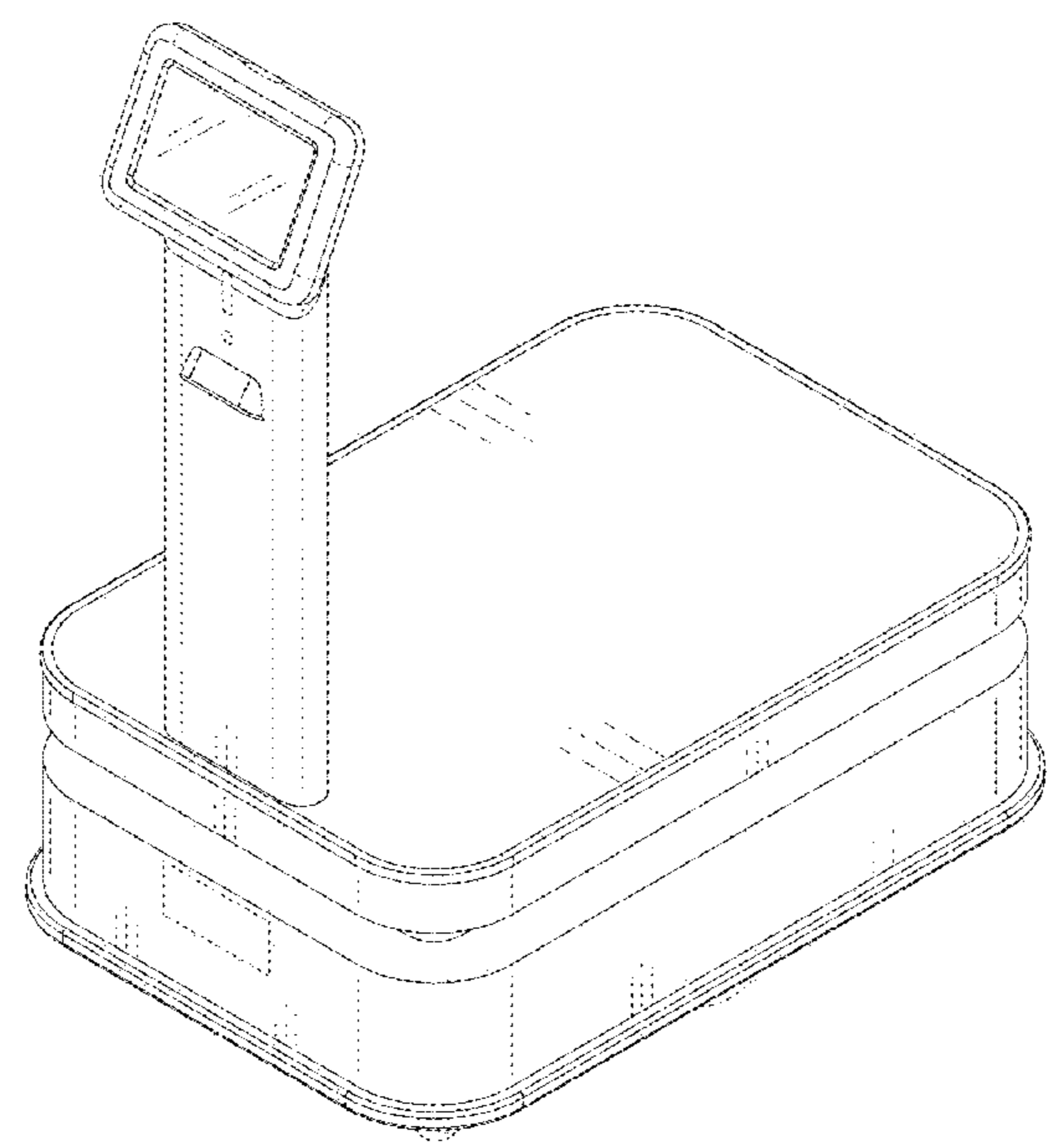
(57) **CLAIM**

The ornamental design for a logistic vehicle, as shown and described.

**DESCRIPTION**

FIG. 1 is a top, front, and right side perspective view for a logistic vehicle showing my new design;  
FIG. 2 is a top, rear, and left side perspective view thereof;  
FIG. 3 is a front elevation view thereof;  
FIG. 4 is a rear elevation view thereof;  
FIG. 5 is a left side elevation view thereof;  
FIG. 6 is a right side elevation view thereof;  
FIG. 7 is a top plan view thereof; and,  
FIG. 8 is a bottom plan view thereof.  
The broken lines depict portions of the logistic vehicle that form no part of the claimed design.

**1 Claim, 8 Drawing Sheets**



(56)

**References Cited**

U.S. PATENT DOCUMENTS

D857,073	S *	8/2019	Gayne	.....	D15/199
D871,475	S *	12/2019	Kolb	.....	D15/199
D871,476	S *	12/2019	Kolb	.....	D15/199
D876,278	S *	2/2020	Sokuza	.....	D12/16.1
D888,790	S *	6/2020	Yao	.....	D15/199
2009/0035181	A1 *	2/2009	Chung	.....	A61B 5/00 422/68.1
2011/0135189	A1 *	6/2011	Lee	.....	B25J 9/1682 382/153
2014/0074287	A1 *	3/2014	LaFary	.....	B25J 9/1676 700/253
2015/0088359	A1 *	3/2015	Choi	.....	G05D 1/0225 701/23

\* cited by examiner

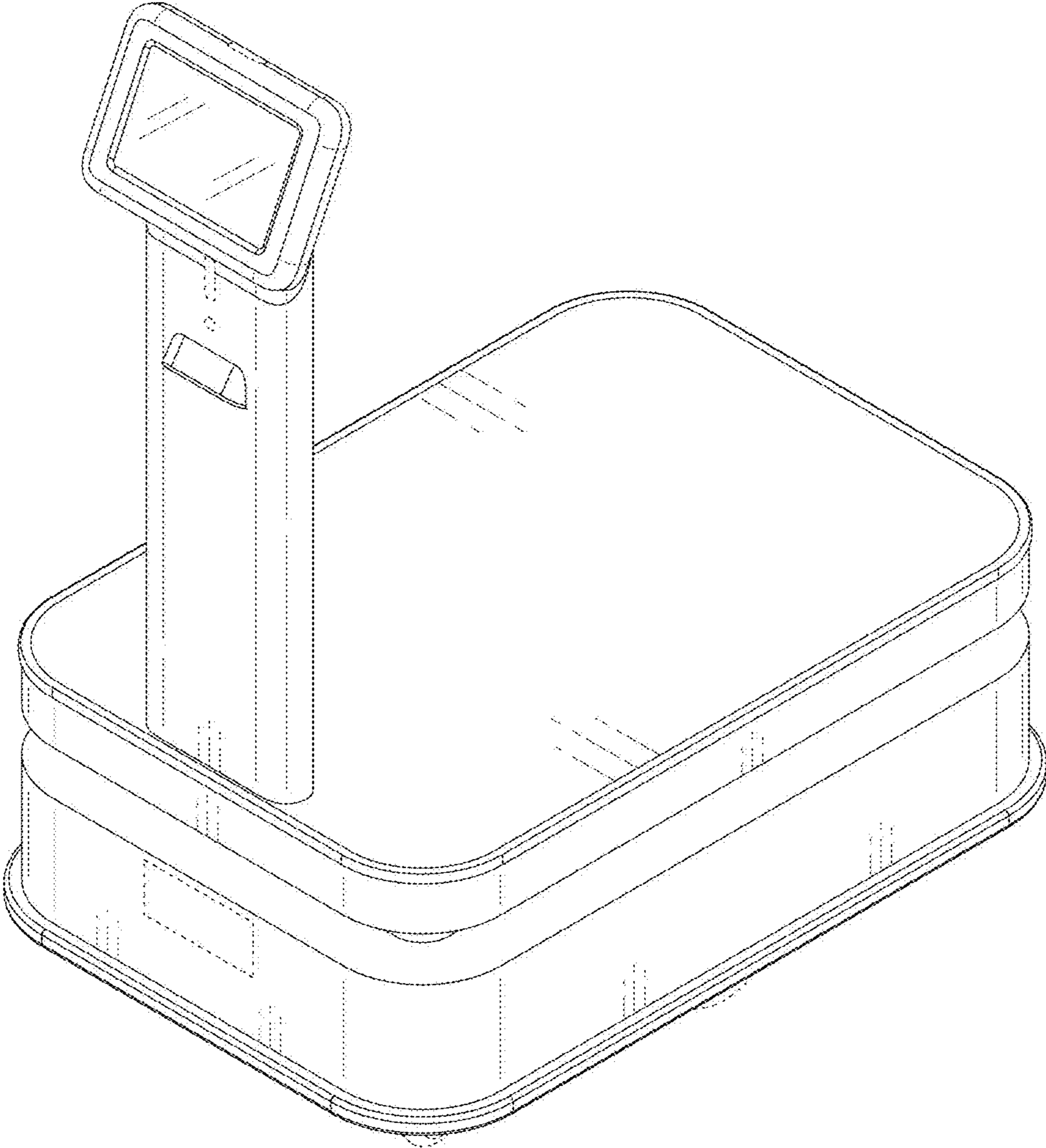


FIG. 1

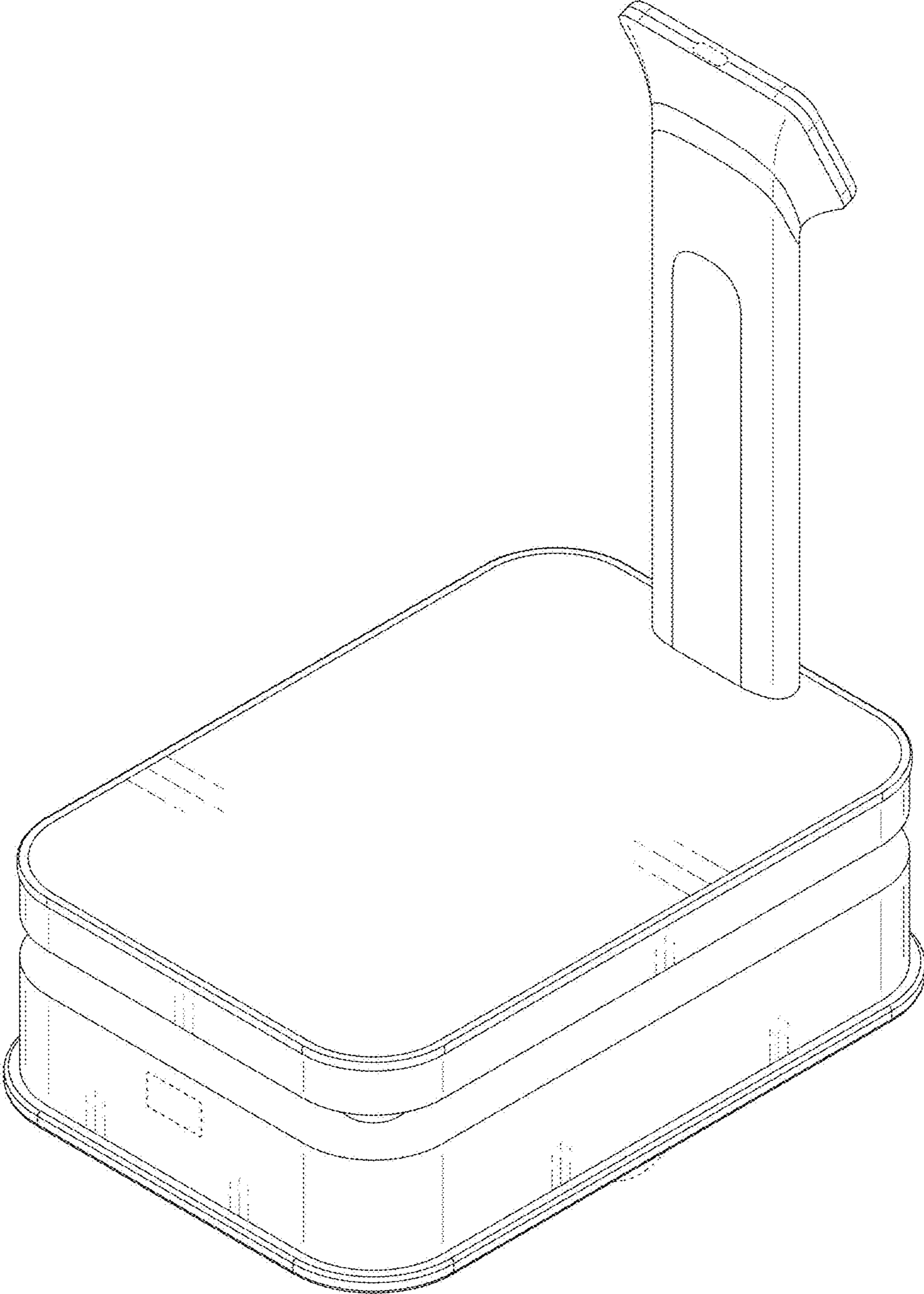


FIG. 2

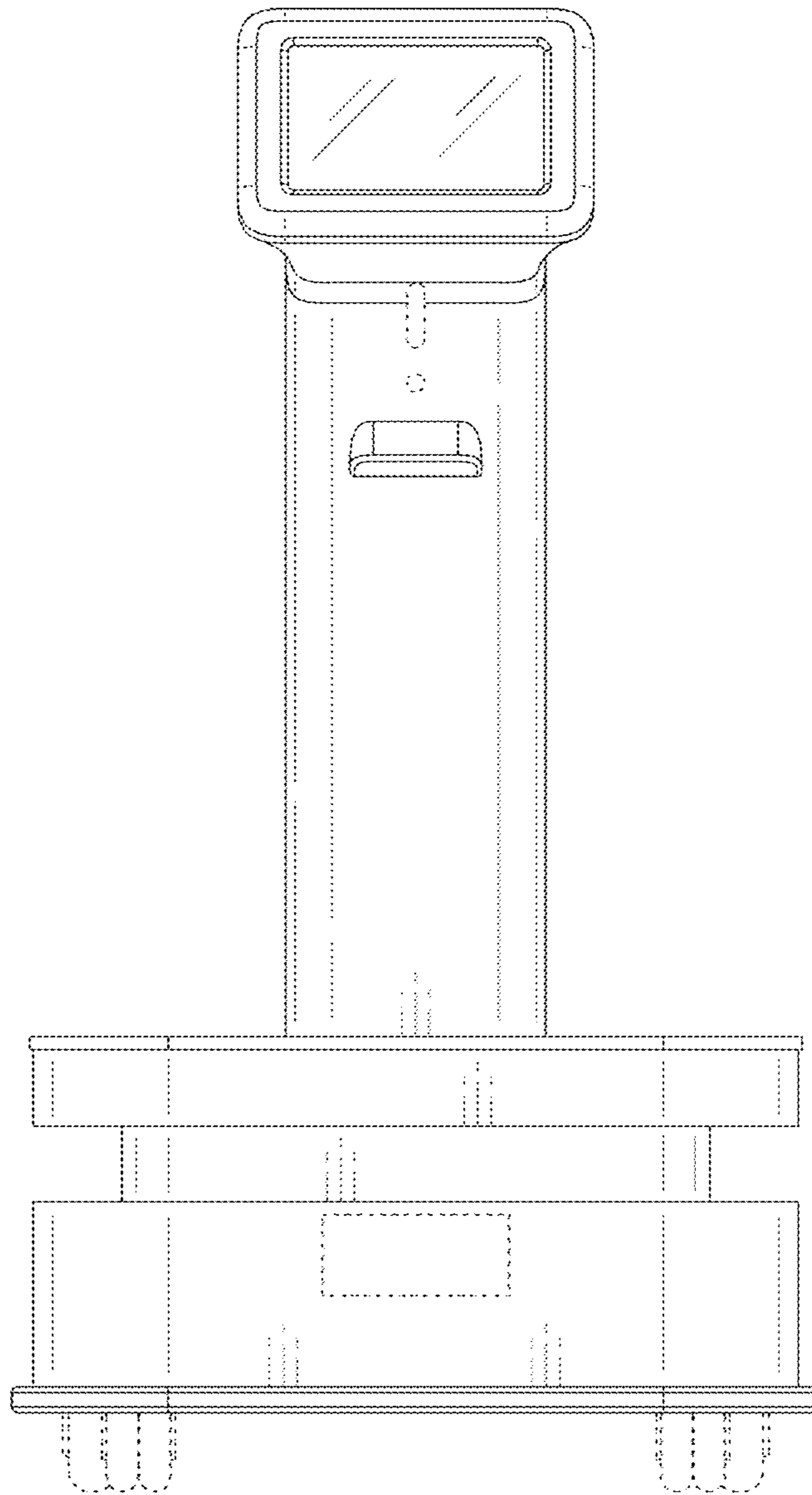


FIG. 3



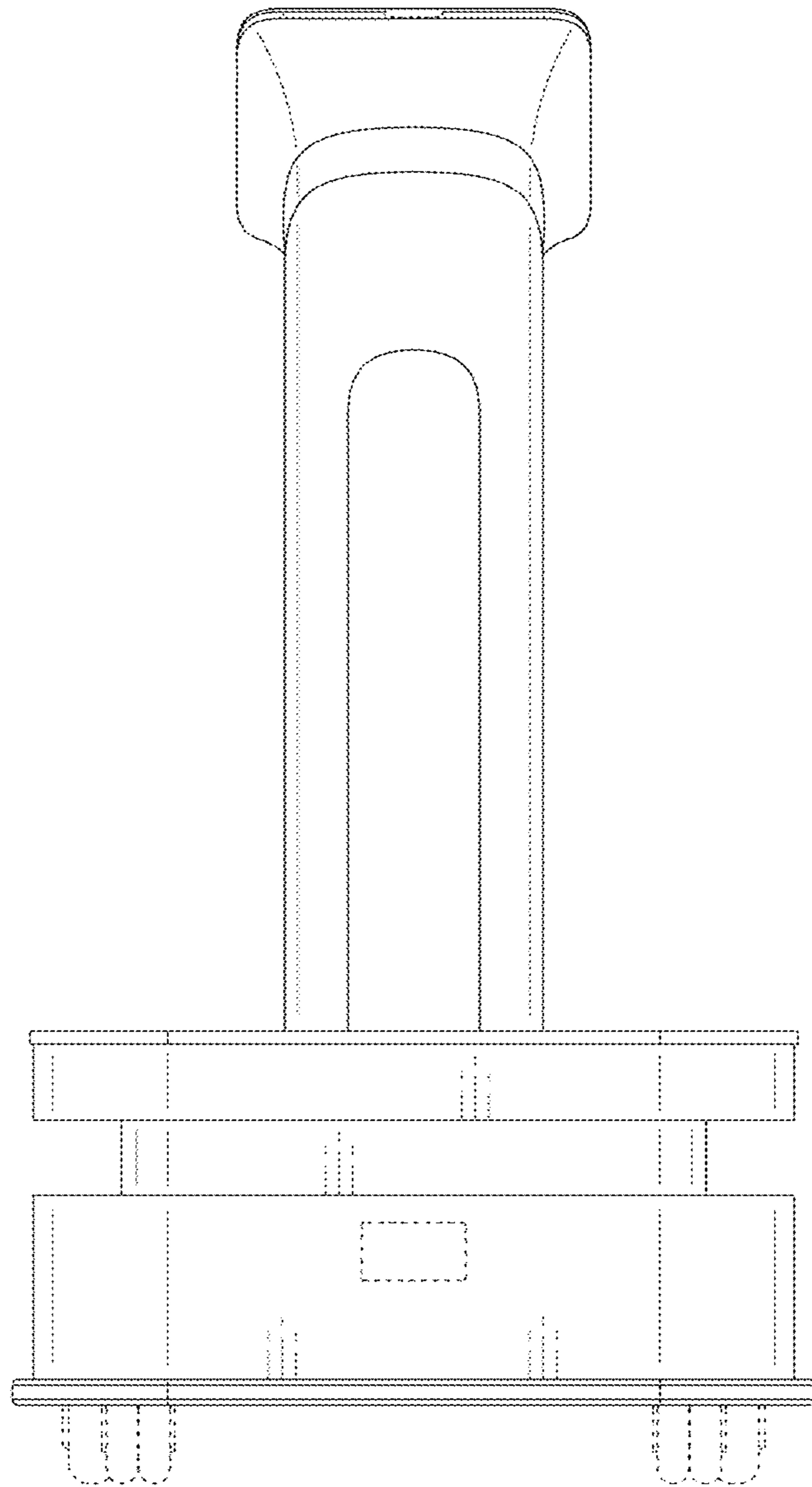


FIG. 4

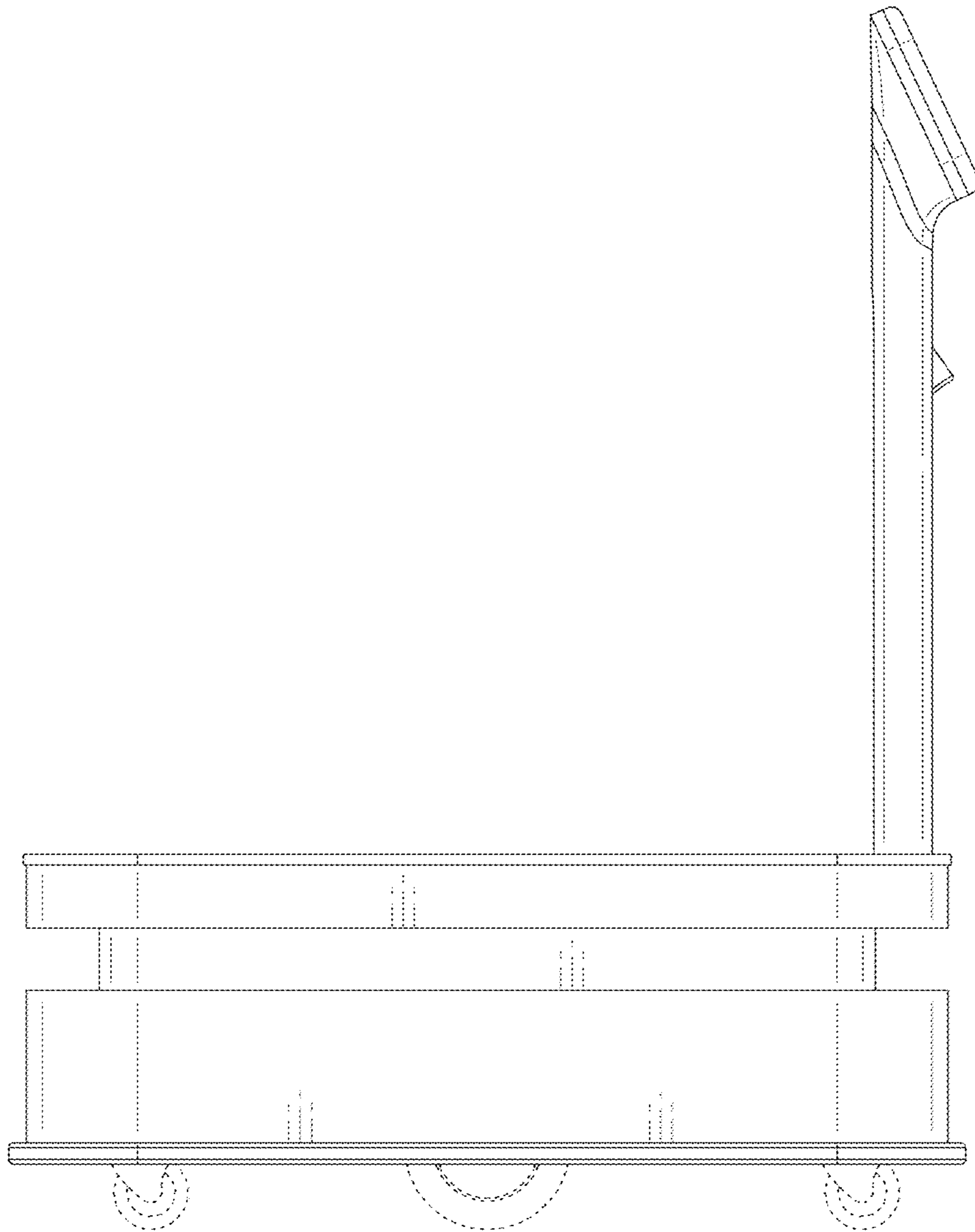


FIG. 5

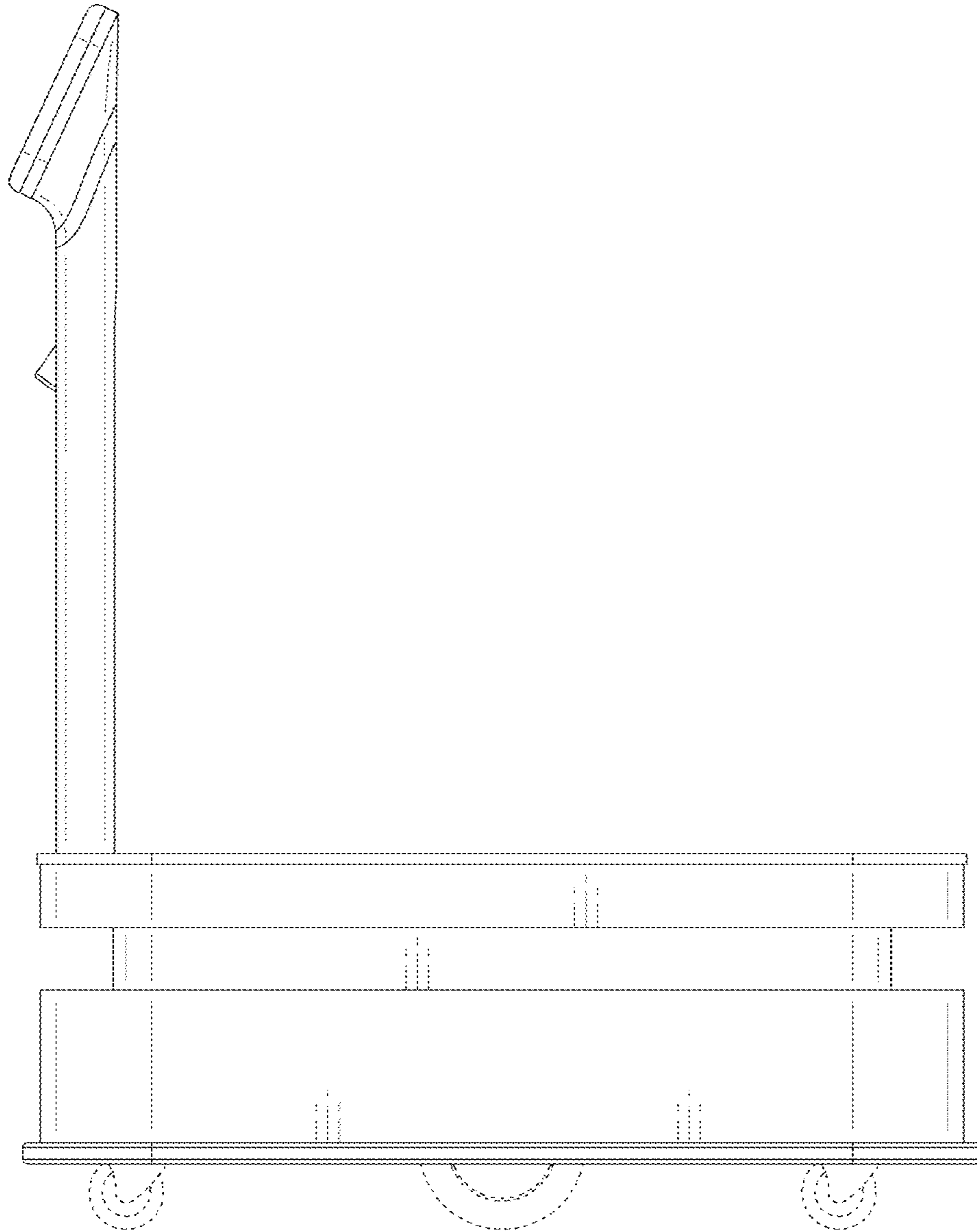


FIG. 6



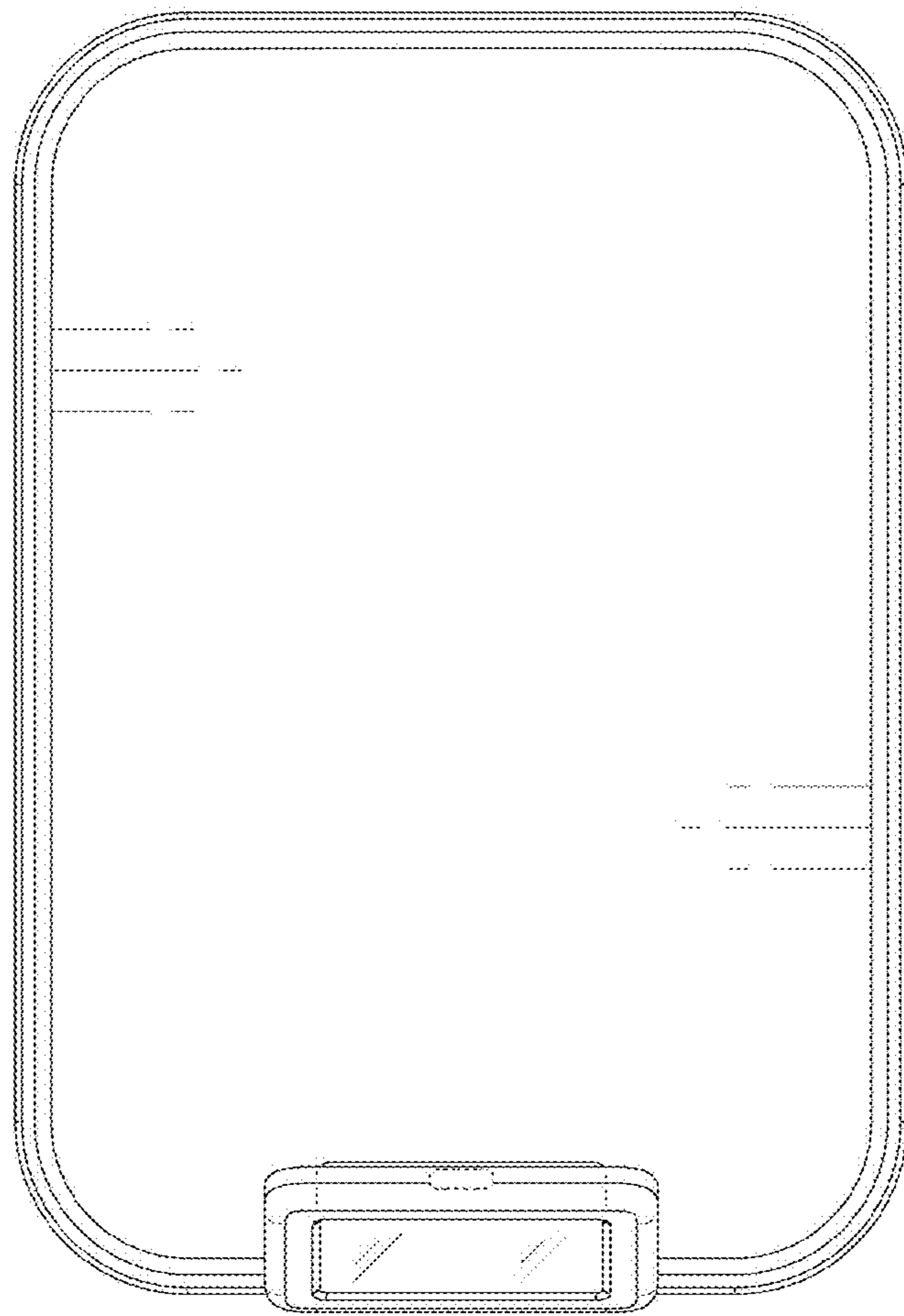


FIG. 7

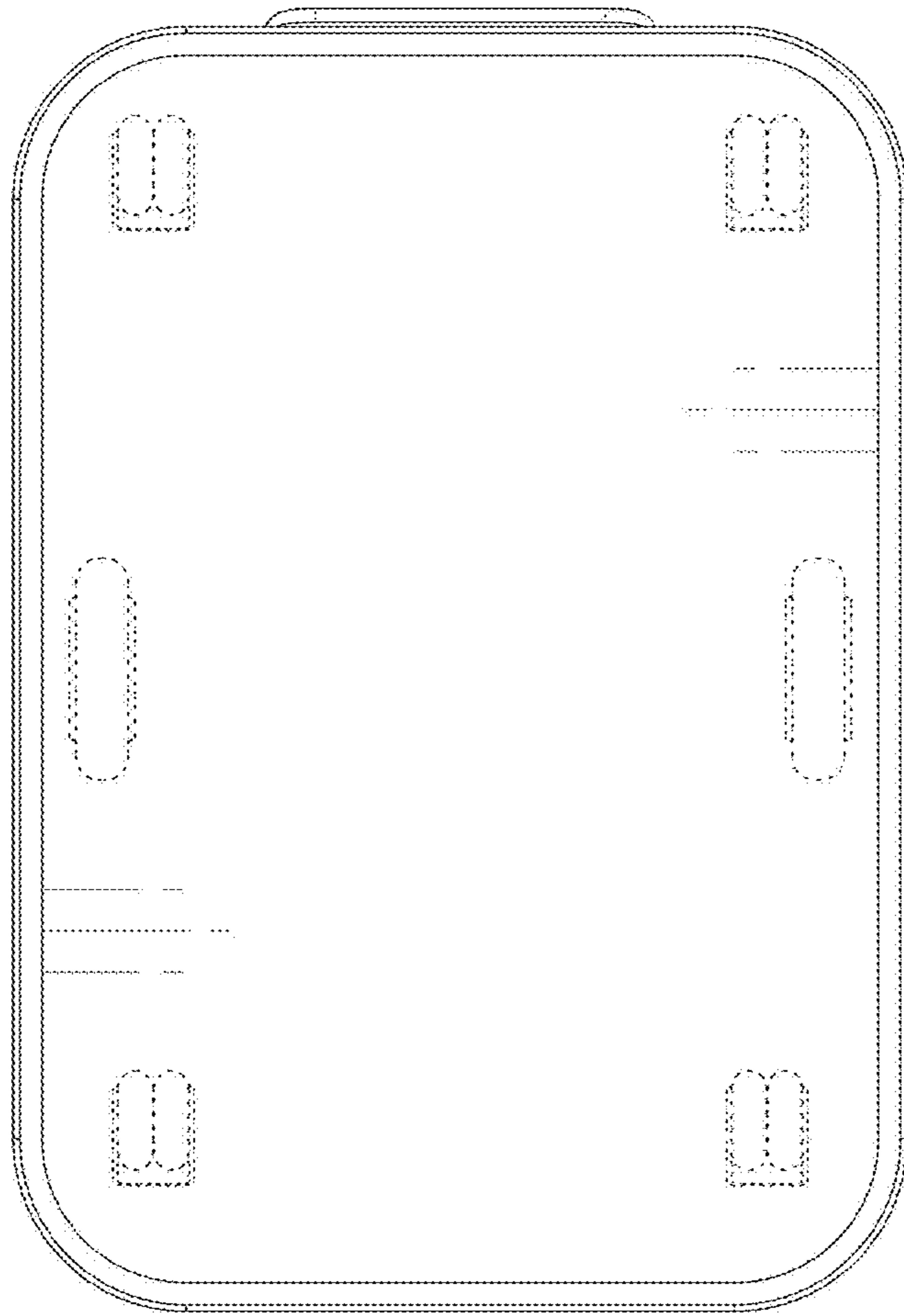


FIG. 8