



US00D909440S

(12) **United States Design Patent**  
**Bangalore Srinivas et al.**

(10) **Patent No.:** **US D909,440 S**  
(45) **Date of Patent:** **\*\* Feb. 2, 2021**

- (54) **COBOT MOUNTING PLATFORM**
- (71) Applicant: **TATA CONSULTANCY SERVICES LIMITED**, Mumbai (IN)
- (72) Inventors: **Venkatesh Prasad Bangalore Srinivas**, Bangalore (IN); **Venkat Raju Chintalapalli Patta**, Bengaluru (IN); **Pradeep Prabhakar Kamble**, Bangalore (IN); **Rajasilpi Sureshkumar Presannakumari**, Bangalore (IN); **Srinivasa Rao Chenna Kesavula**, Bangalore (IN); **Sreehari Kumar Bhogineni**, Bengaluru (IN)
- (73) Assignee: **TATA CONSULTANCY SERVICES LIMITED**

5,127,486 A \* 7/1992 Yardley ..... B62D 1/28  
180/168  
D722,631 S \* 2/2015 Stone ..... D15/199  
D736,117 S \* 8/2015 Stone ..... D12/1  
D764,557 S \* 8/2016 Yamada ..... D15/199  
D837,852 S \* 1/2019 Nilsson ..... D15/199  
D839,331 S \* 1/2019 Nilsson ..... D15/199  
10,207,403 B1 \* 2/2019 Wiley ..... B25J 5/005  
10,399,616 B2 \* 9/2019 Ellerman ..... A63H 33/26  
D864,270 S \* 10/2019 Hu ..... G05D 1/0246  
D15/199  
D865,021 S \* 10/2019 Hu ..... A47L 9/009  
D15/199  
D871,477 S \* 12/2019 Kolb ..... F24F 6/00  
D15/199  
D873,173 S \* 1/2020 Brucker ..... D12/1  
D879,851 S \* 3/2020 Li ..... B62B 5/0093  
D15/199

(Continued)

- (\*\*) Term: **15 Years**
- (21) Appl. No.: **29/698,463**
- (22) Filed: **Jul. 17, 2019**

*Primary Examiner* — Patricia A Palasik  
(74) *Attorney, Agent, or Firm* — Hayes Soloway P.C.

(30) **Foreign Application Priority Data**

Jan. 28, 2019 (IN) ..... 314269-001

- (51) **LOC (13) Cl.** ..... **15-99**
- (52) **U.S. Cl.**  
USPC ..... **D15/199**

- (58) **Field of Classification Search**  
USPC ..... D15/199; D34/34  
CPC . B25J 5/005; B25J 9/044; B25J 9/102; B62D  
55/065; B62D 55/075; B62D 57/028;  
Y10T 74/20305  
See application file for complete search history.

(56) **References Cited**

**U.S. PATENT DOCUMENTS**

- 4,137,984 A \* 2/1979 Jennings ..... B62D 1/28  
180/168
- D295,105 S \* 4/1988 Dawson ..... D34/18

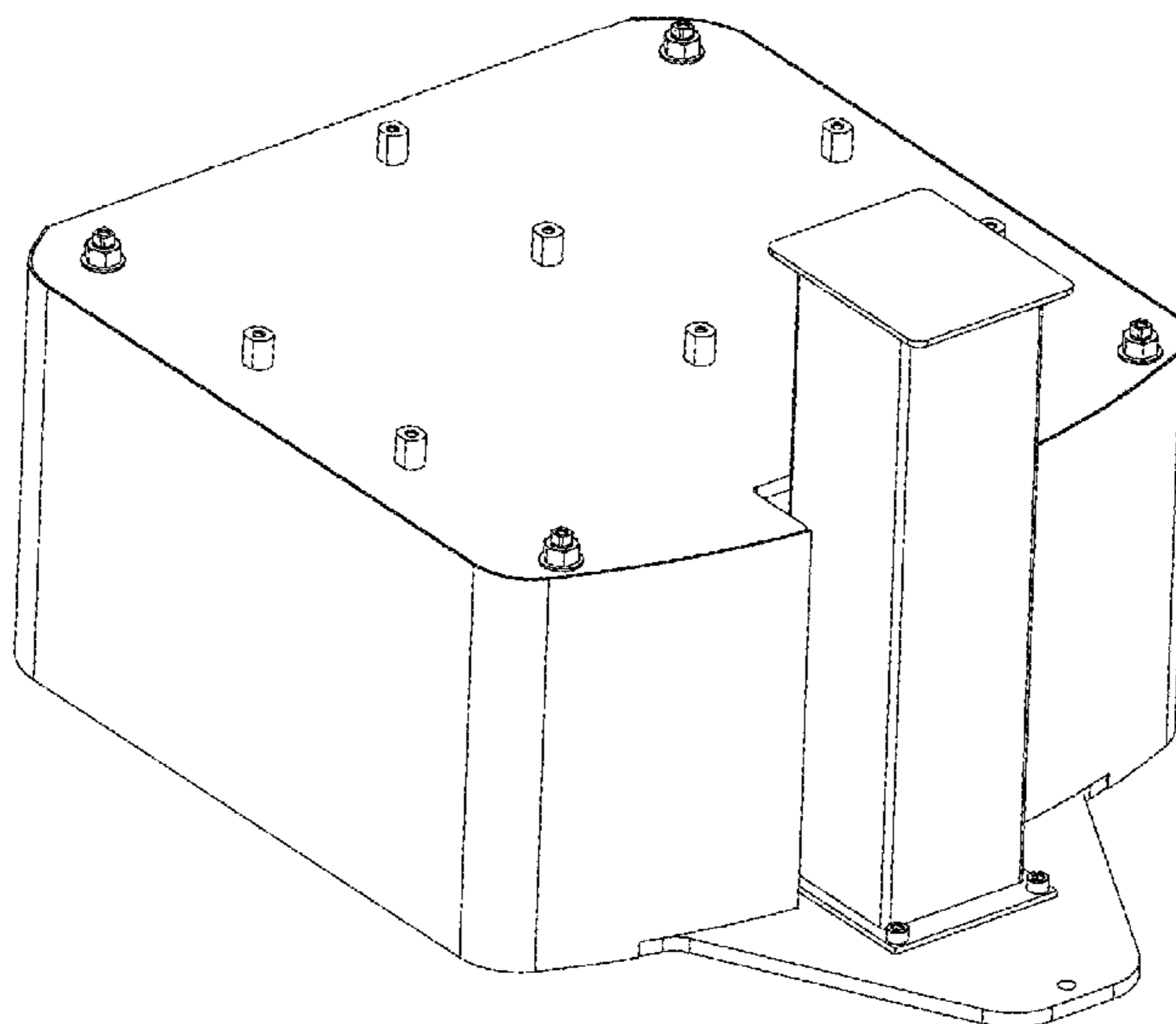
(57) **CLAIM**

We claim the ornamental design for cobot mounting platform, as shown and described.

**DESCRIPTION**

FIG. 1 is a front of a cobot mounting platform;  
FIG. 2 is a rear view thereof;  
FIG. 3 is a right side view thereof;  
FIG. 4 is a left side view thereof;  
FIG. 5 is a top view thereof;  
FIG. 6 is a bottom view thereof;  
FIG. 7 is a first perspective view thereof; and,  
FIG. 8 is a second perspective view thereof.  
The broken lines in the drawings depict portions of the cobot mounting robot platform which forms no part of the claimed design.

**1 Claim, 8 Drawing Sheets**



(56)

**References Cited**

## U.S. PATENT DOCUMENTS

D880,550 S \* 4/2020 Sokuza ..... G01B 11/005  
D15/199  
D886,173 S \* 6/2020 Sokuza ..... D15/199  
D887,468 S \* 6/2020 Hirvesaar ..... D15/199  
2006/0186561 A1 \* 8/2006 Song ..... F24F 6/00  
261/26  
2010/0228394 A1 \* 9/2010 Yi ..... G05D 1/0246  
700/253  
2010/0286825 A1 \* 11/2010 Rew ..... A47L 9/009  
700/253  
2012/0026481 A1 \* 2/2012 Chen ..... G05D 1/0242  
356/4.01  
2015/0020326 A1 \* 1/2015 Schnittman ..... A47L 9/0477  
15/52.1  
2015/0224640 A1 \* 8/2015 Vu ..... B25J 5/007  
700/259  
2016/0327383 A1 \* 11/2016 Becker ..... G01B 11/005  
2017/0038776 A1 \* 2/2017 Gariepy ..... G05D 1/0022  
2018/0099810 A1 \* 4/2018 Wu ..... B65G 1/0492  
2019/0059680 A1 \* 2/2019 Fox ..... A47L 11/4005  
2019/0163183 A1 \* 5/2019 Wiley ..... G05D 1/0088  
2019/0174987 A1 \* 6/2019 Strang ..... G05D 1/0044  
2019/0270472 A1 \* 9/2019 Akamatsu ..... B62B 5/0093  
2020/0130523 A1 \* 4/2020 Wendeborn ..... B60L 53/35

\* cited by examiner

FIG.1

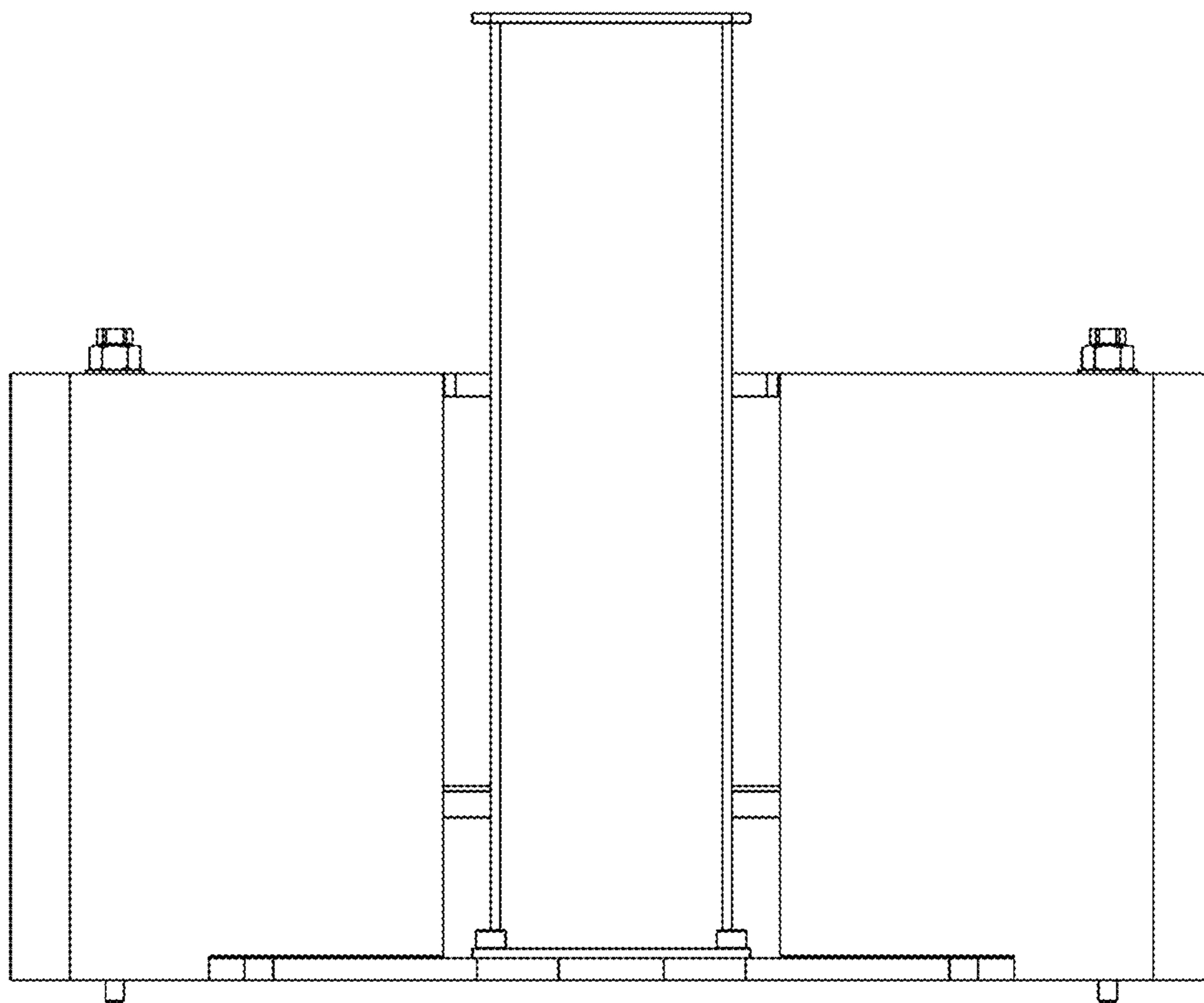


FIG.2

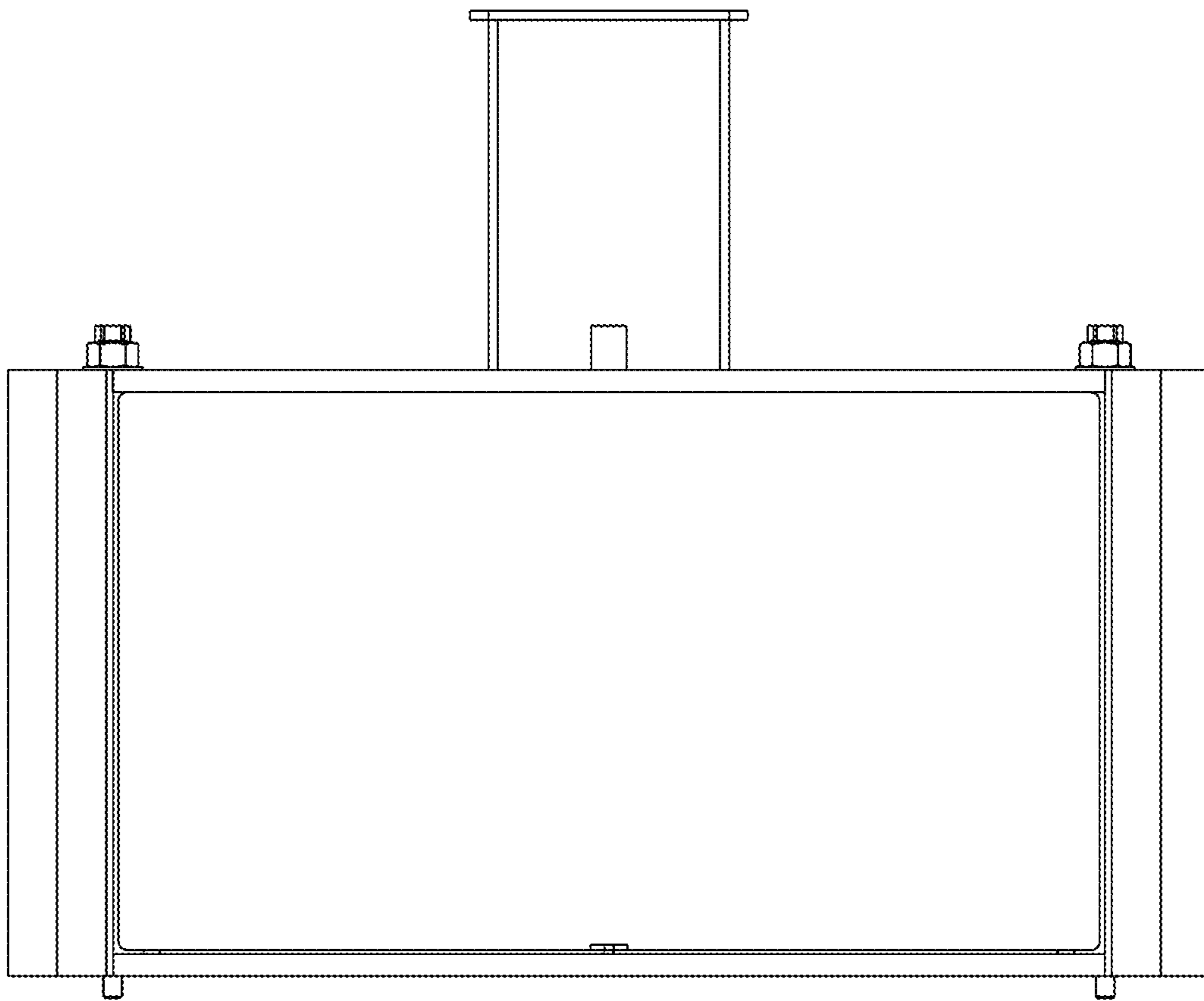


FIG.3

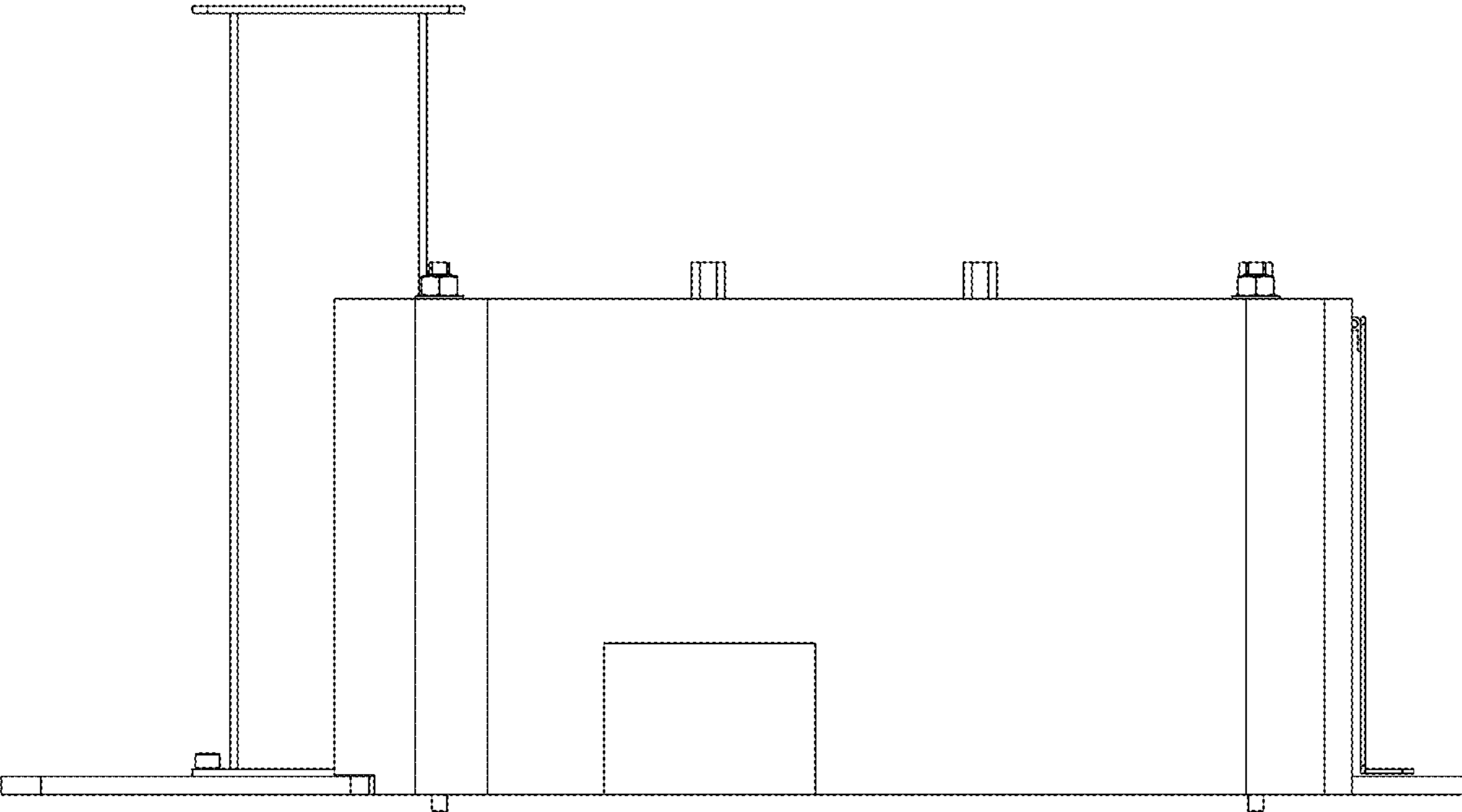


FIG.4

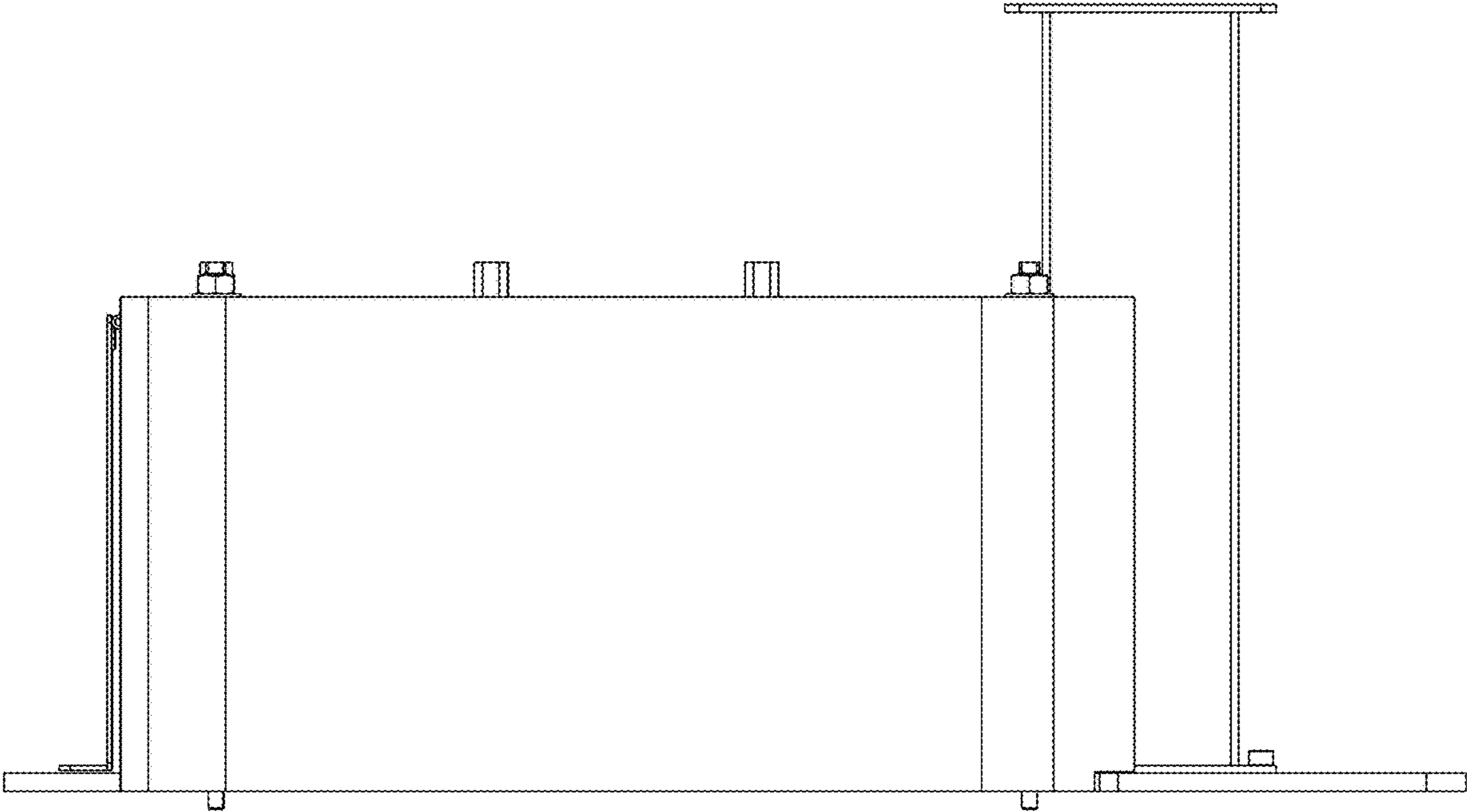


FIG.5

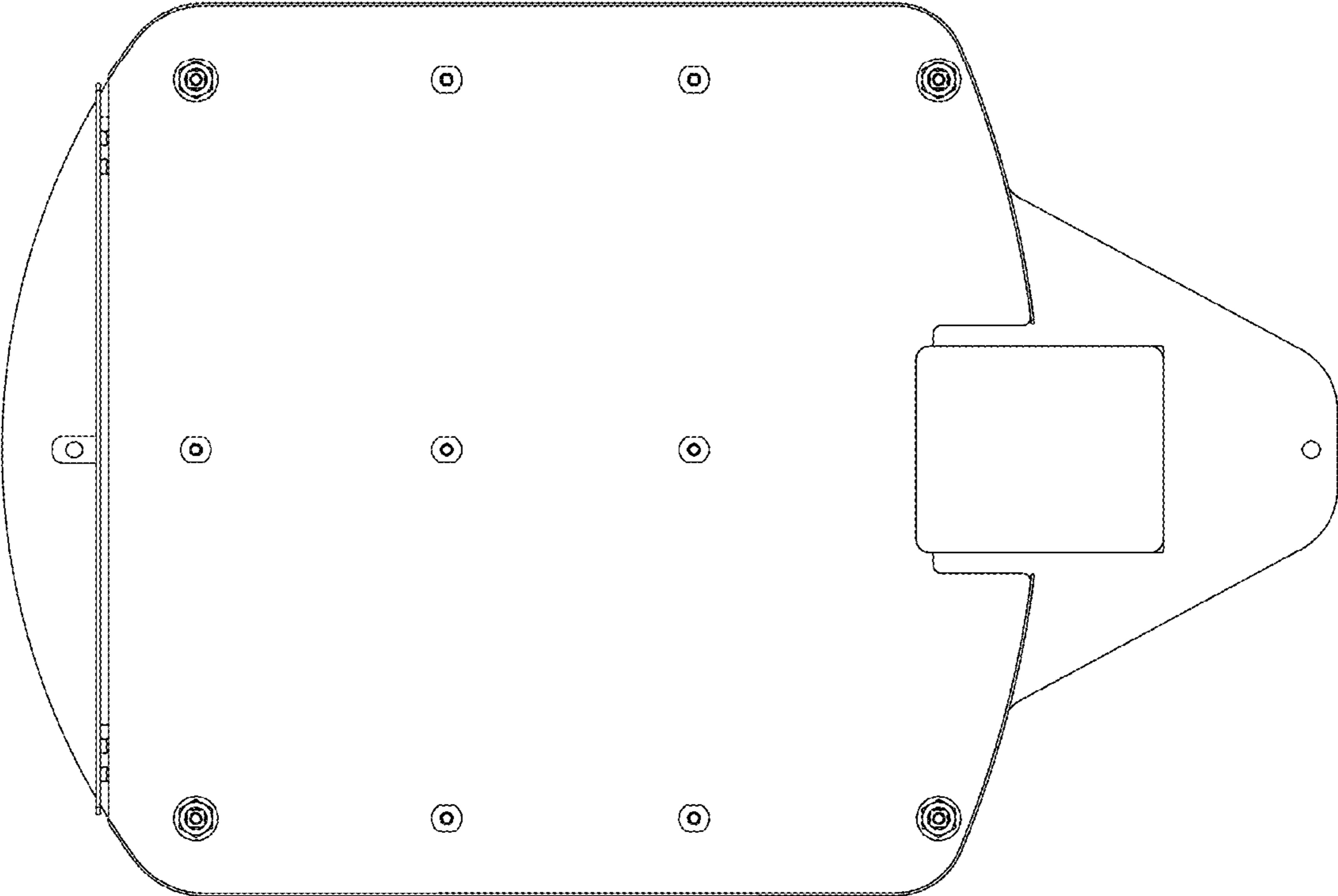


FIG. 6

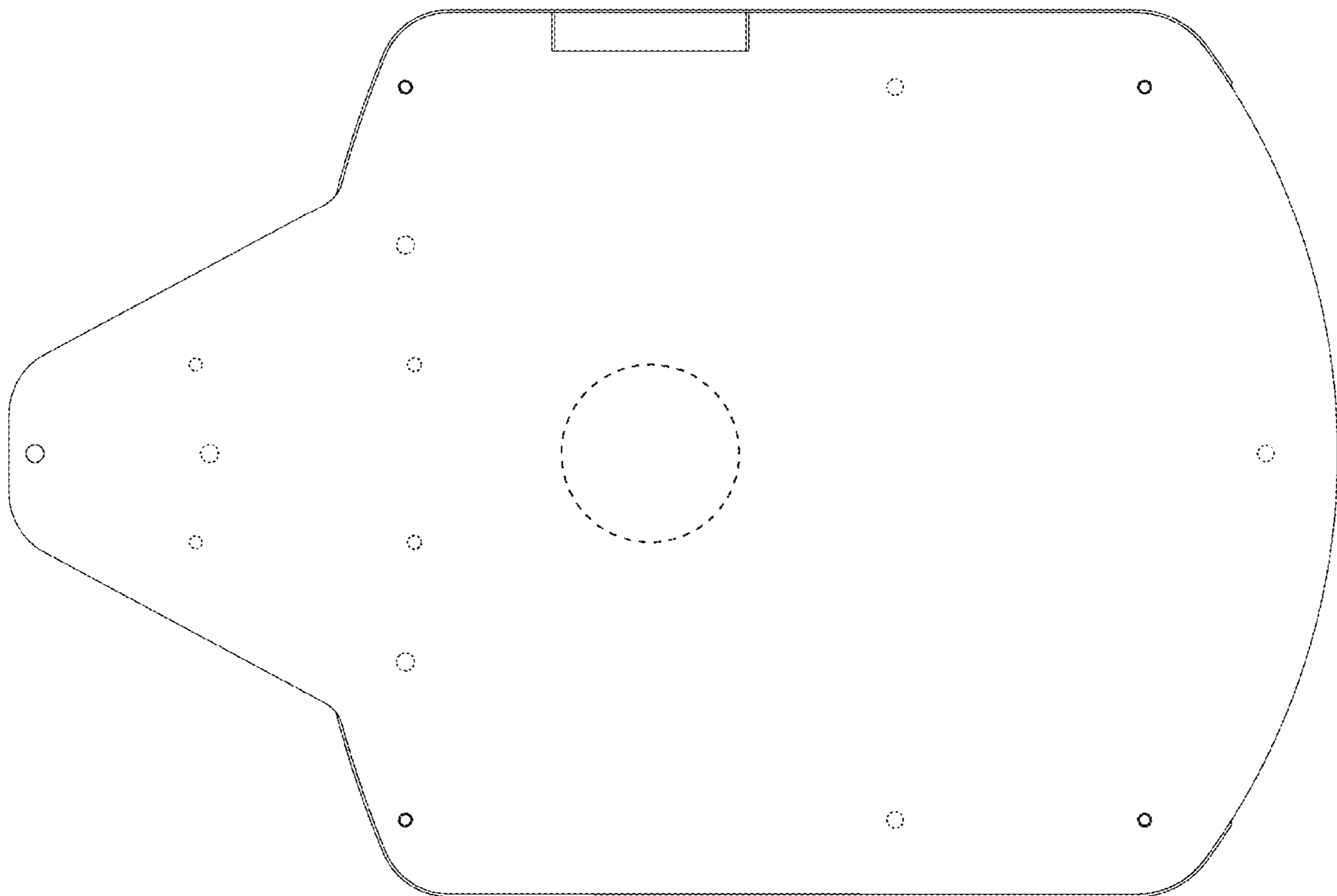




FIG.7

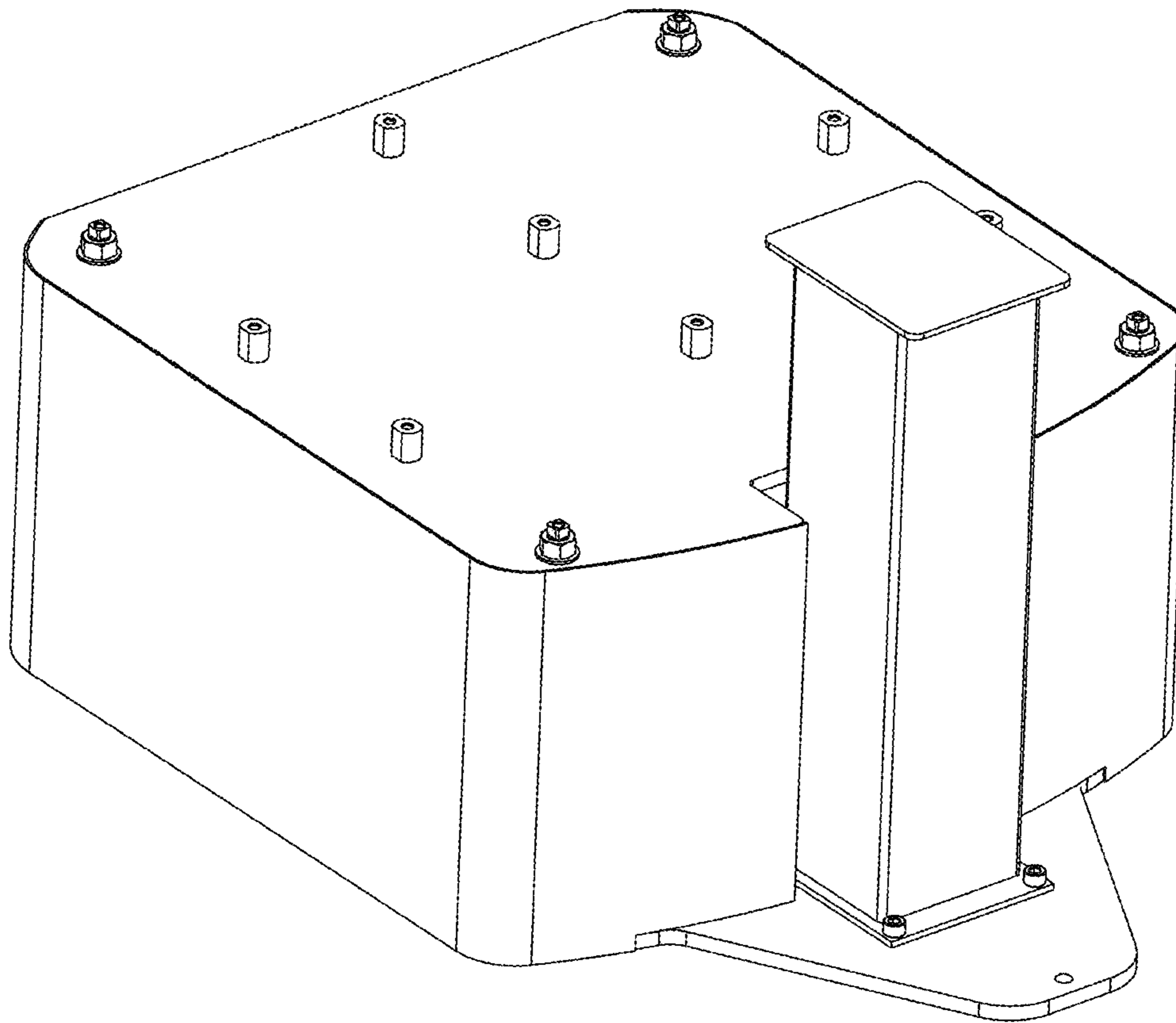
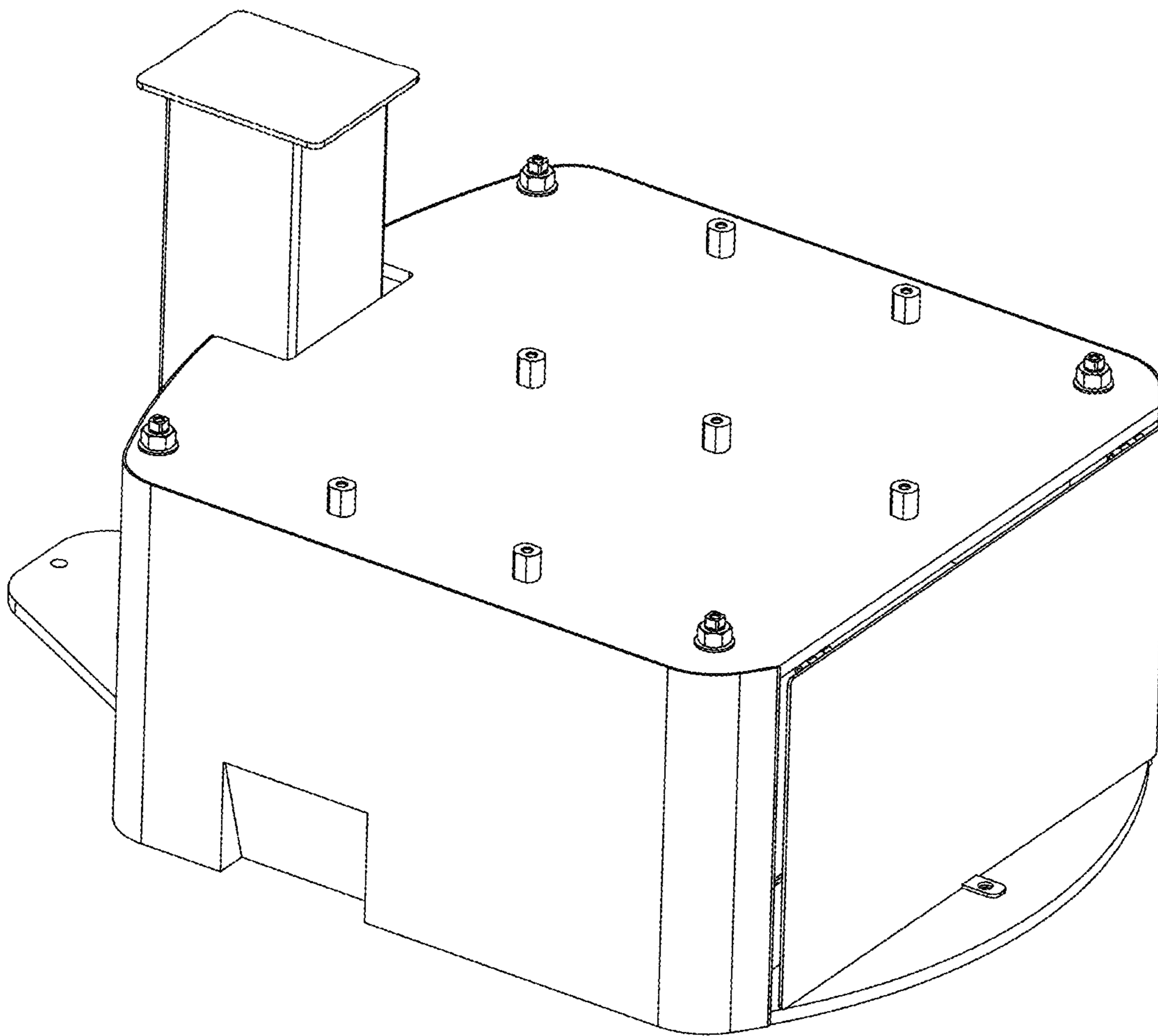


FIG.8



UNITED STATES PATENT AND TRADEMARK OFFICE  
**CERTIFICATE OF CORRECTION**


PATENT NO. : D909,440 S  
APPLICATION NO. : 29/698463  
DATED : February 2, 2021  
INVENTOR(S) : Bangalore Srinivas et al.

Page 1 of 1

It is certified that error appears in the above-identified patent and that said Letters Patent is hereby corrected as shown below:

In the Specification

In the Description, "FIG. 1 is a front of a" should be --FIG. 1 is a front view of a--.

Signed and Sealed this  
Twelfth Day of November, 2024  
  
Katherine Kelly Vidal  
Director of the United States Patent and Trademark Office