



US00D909439S

(12) **United States Design Patent** (10) **Patent No.:** **US D909,439 S**  
**Kroneberger** (45) **Date of Patent:** **\*\* Feb. 2, 2021**

- (54) **TWO-PIECE CRUCIBLE COVER**
- (71) Applicant: **Ferrotec (USA) Corporation**, Santa Clara, CA (US)
- (72) Inventor: **Cris Kroneberger**, Livermore, CA (US)
- (73) Assignee: **Ferrotec (USA) Corporation**, Santa Clara, CA (US)
- (\*\*) Term: **15 Years**
- (21) Appl. No.: **29/671,854**
- (22) Filed: **Nov. 30, 2018**
- (51) **LOC (13) Cl.** ..... **15-09**
- (52) **U.S. Cl.**  
USPC ..... **D15/144; D15/138**
- (58) **Field of Classification Search**  
USPC ..... D15/122, 126, 135-138, 144, 144.1, 145, 146, 199; D24/232-234  
CPC ..... C23C 14/243; C23C 14/30  
See application file for complete search history.

- D658,693 S \* 5/2012 Suzuki ..... D15/138  
D661,716 S \* 6/2012 Barrett ..... D15/144  
D661,717 S \* 6/2012 Barrett ..... D15/144  
10,022,724 B2 \* 7/2018 Weeks ..... B02C 13/28  
D858,591 S \* 9/2019 Koch ..... D15/122

FOREIGN PATENT DOCUMENTS

EP 1160351 A2 \* 12/2001 ..... C23C 14/243

\* cited by examiner

*Primary Examiner* — Michael C Stout  
*Assistant Examiner* — Fitzgerald L Butac

(74) *Attorney, Agent, or Firm* — Robert R. Deleault, Esq.; Mesmer & Deleault, PLLC

(57) **CLAIM**

I claim the ornamental design for a two-piece crucible cover, as shown and described.

**DESCRIPTION**

FIG. 1 is a front, right, perspective view of a two-piece crucible cover showing my new design.  
FIG. 2 is a top plan view thereof;  
FIG. 3 is a bottom plan view thereof;  
FIG. 4 is a left side elevation view thereof;  
FIG. 5 is a right side elevation view thereof;  
FIG. 6 is a front end view thereof;  
FIG. 7 is a back end view thereof;  
FIG. 8 a front, right, perspective view thereof, shown on top of a crucible;  
FIG. 9 is an enlarged, left side, partial view thereof, taken from FIG. 4, showing the two-piece cover insert in a down position; and,  
FIG. 10 is an enlarged, left side, partial view taken from FIG. 4, with the two-piece cover insert in an up position.  
The broken lines seen in FIGS. 4, 9, and 10 depict the locations and borders of enlarged views, and form no part of the claimed design.

**1 Claim, 4 Drawing Sheets**

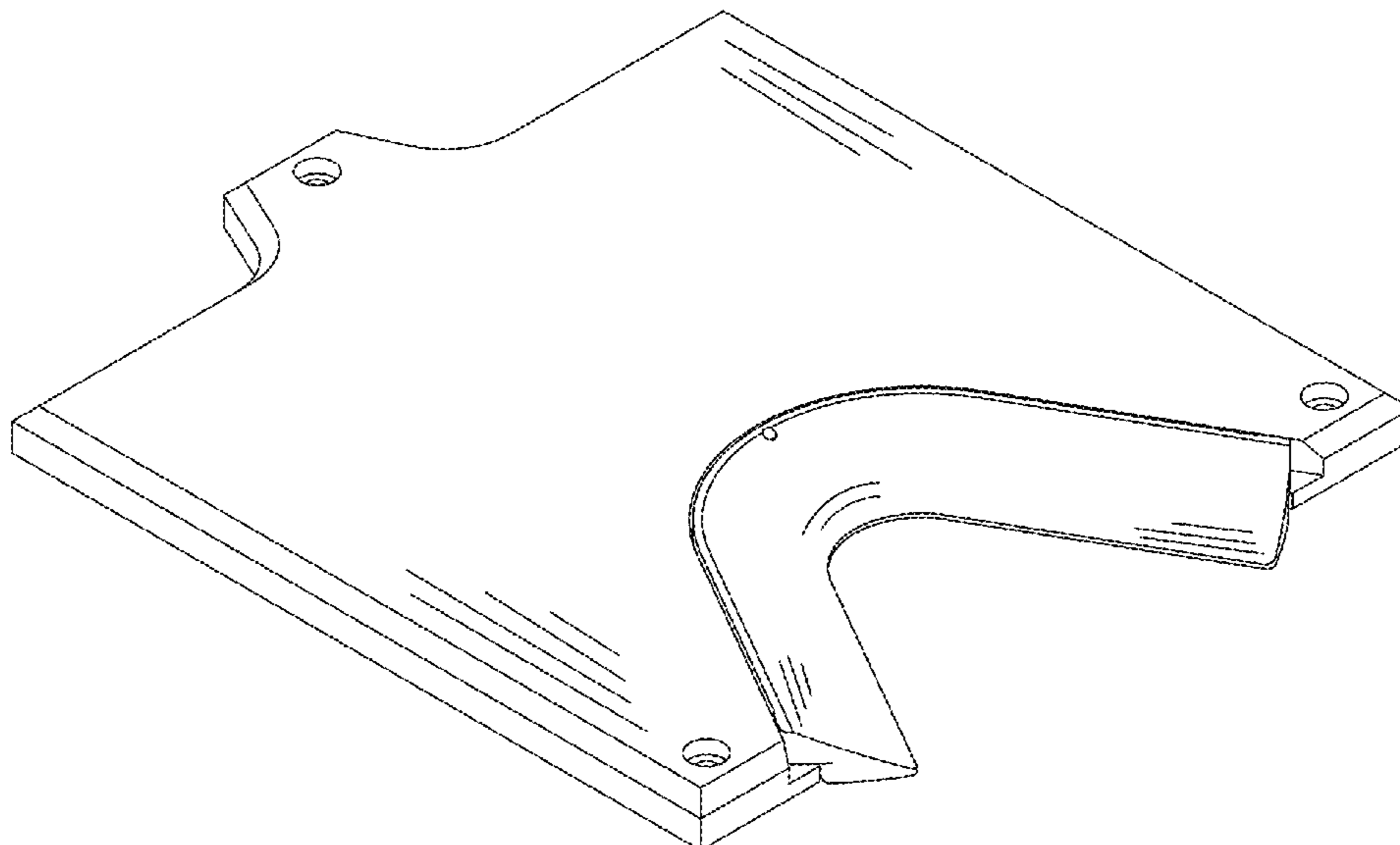


Fig. 1

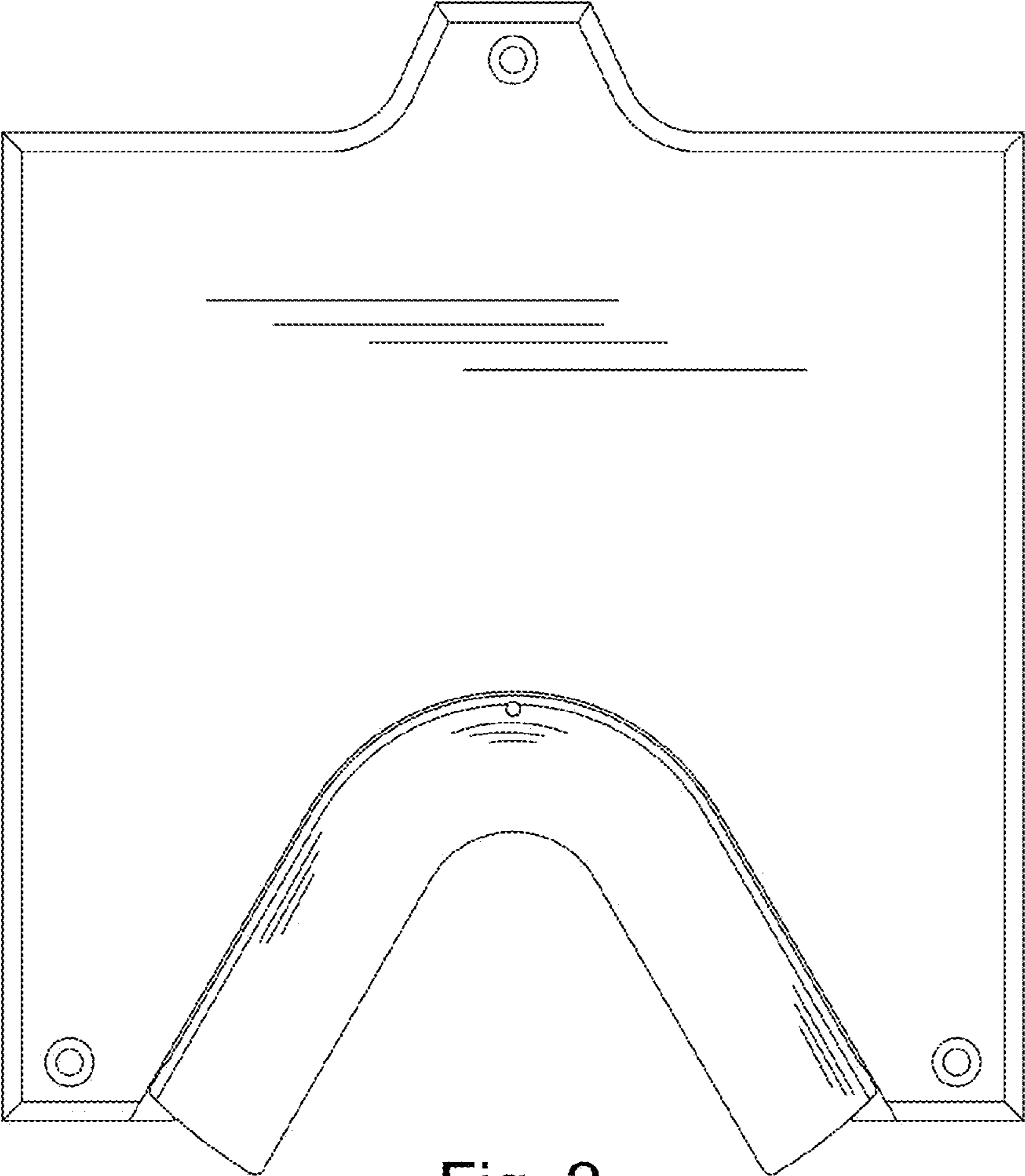
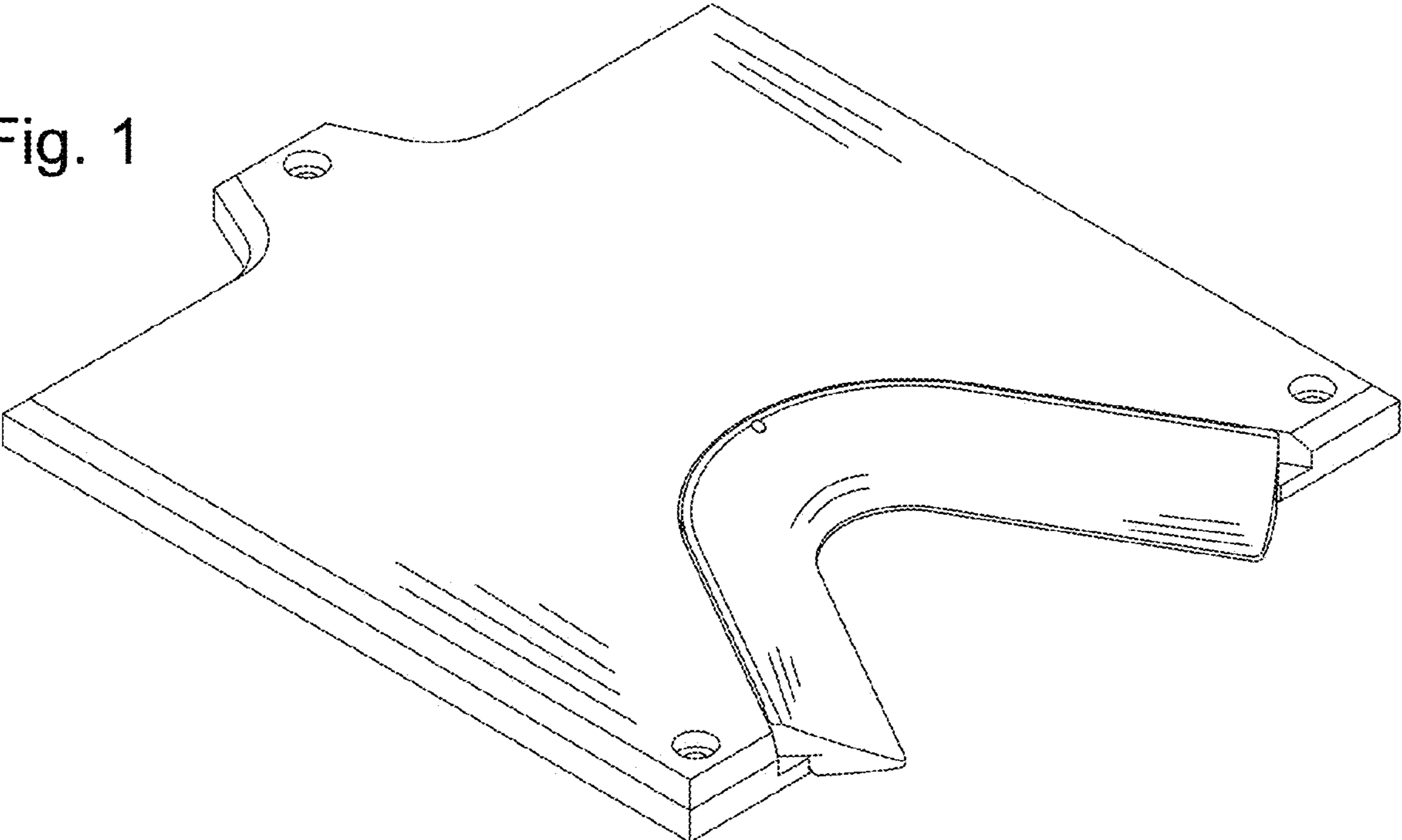


Fig. 2

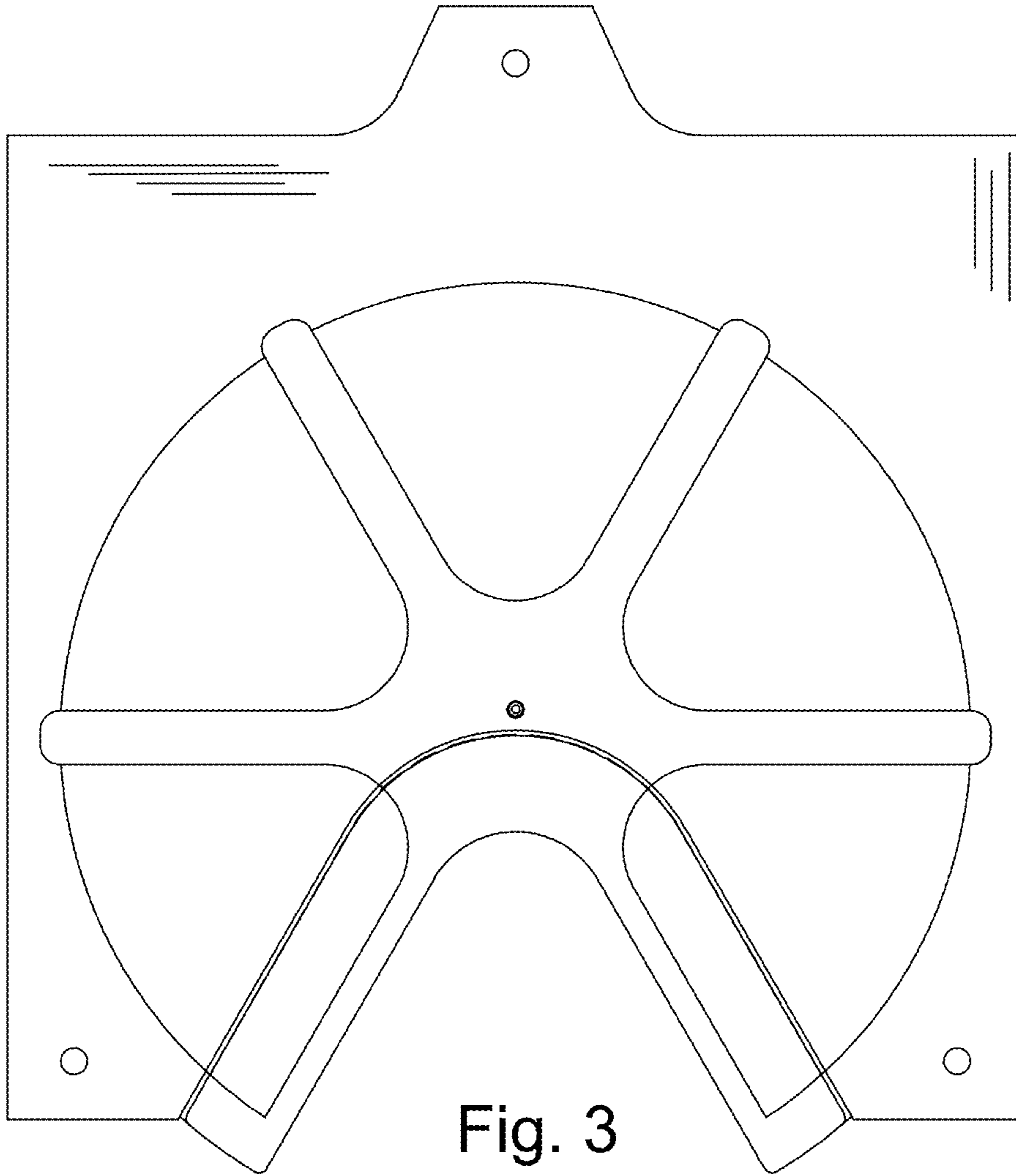


Fig. 3

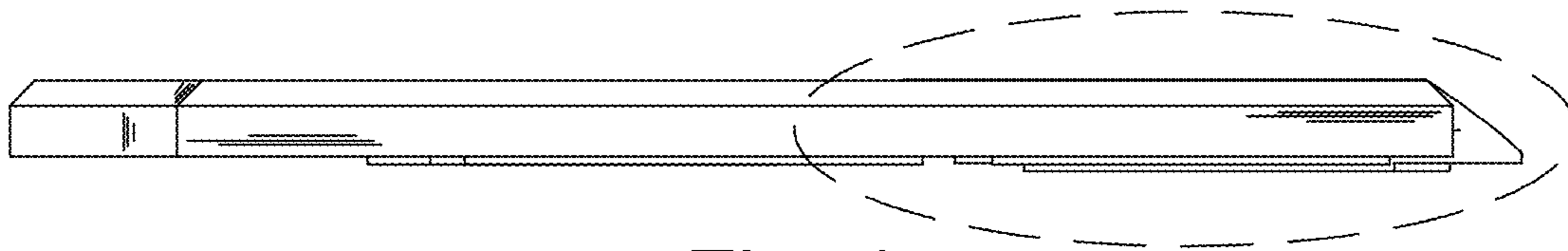


Fig. 4



Fig. 5



Fig. 6

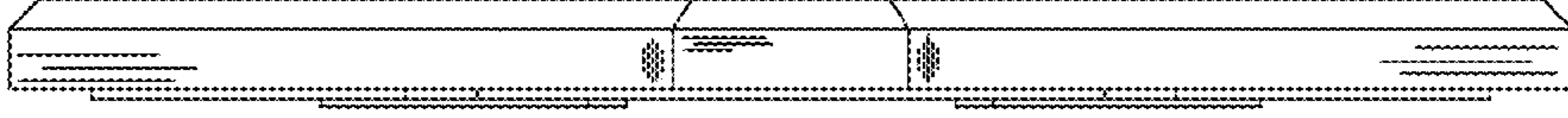


Fig. 7

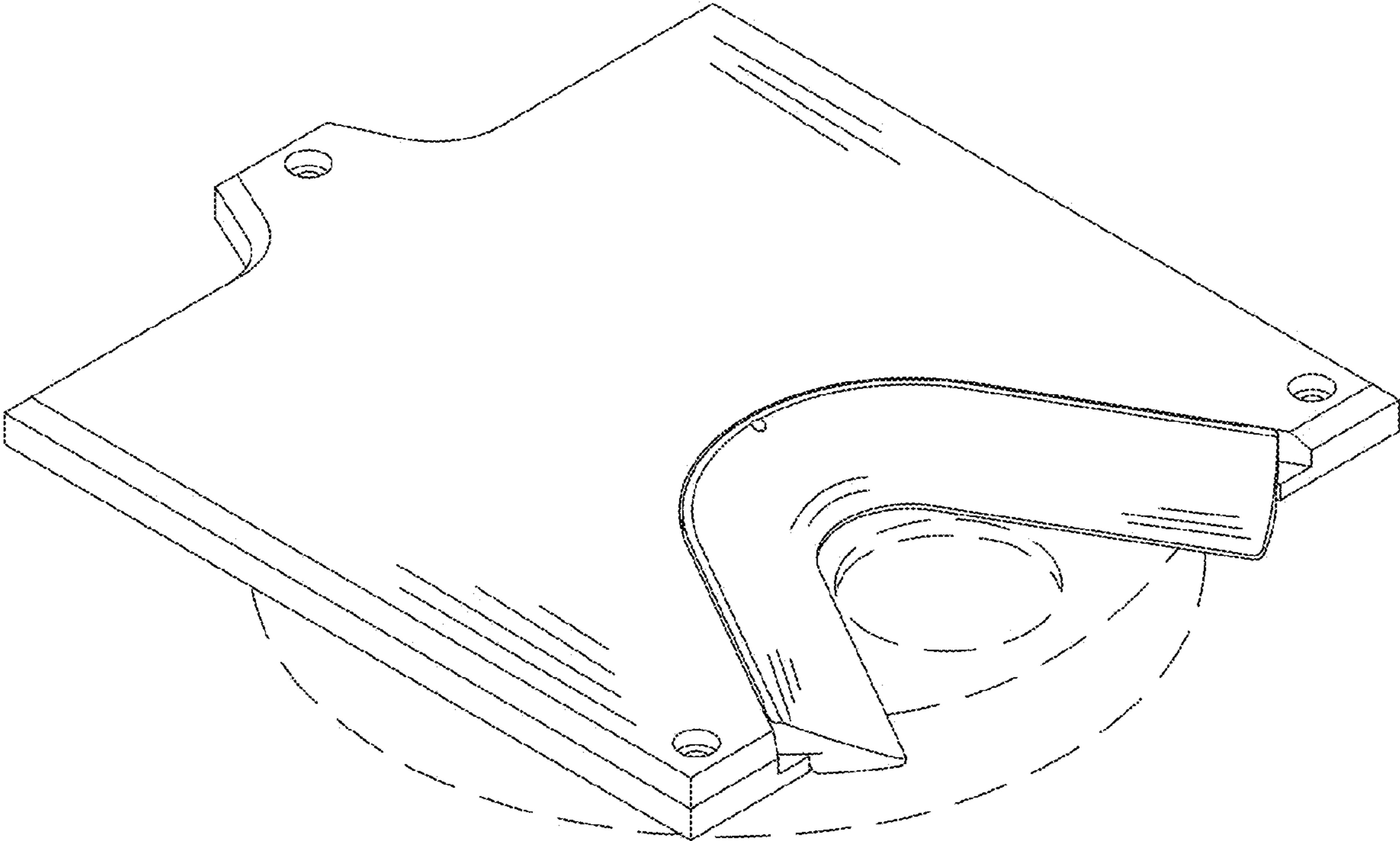


Fig. 8

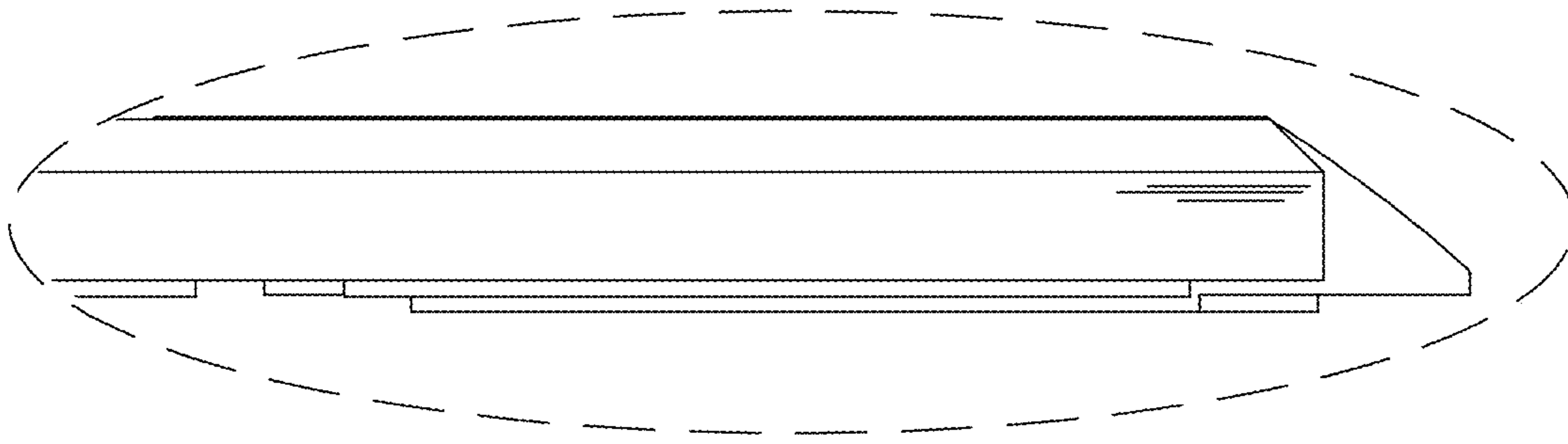


Fig. 9

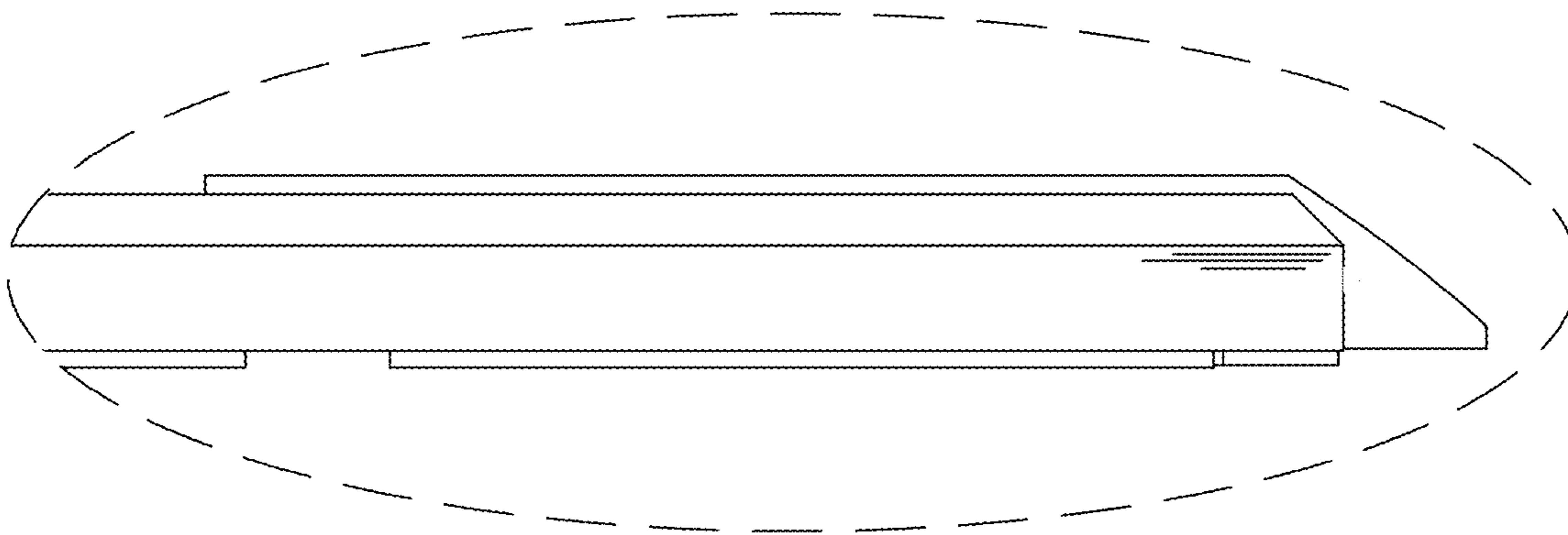


Fig. 10