



US00D909438S

(12) **United States Design Patent**
Fujii et al.

(10) **Patent No.:** **US D909,438 S**

(45) **Date of Patent:** **** Feb. 2, 2021**

(54) **CUTTING INSERT**

(71) Applicant: **OSG CORPORATION**, Toyokawa (JP)

(72) Inventors: **Yasuhito Fujii**, Toyokawa (JP);
Yasuyuki Endoh, Toyohashi (JP)

(73) Assignee: **OSG CORPORATION**, Toyokawa (JP)

(**) Term: **15 Years**

(21) Appl. No.: **29/713,042**

(22) Filed: **Nov. 13, 2019**

(30) **Foreign Application Priority Data**

May 14, 2019 (JP) 2019-010418

(51) **LOC (13) Cl.** **15-09**

(52) **U.S. Cl.**
USPC **D15/139**

(58) **Field of Classification Search**

USPC D8/20, 70; D15/126, 131, 138, 139, 140
CPC . B23B 27/1622; B23B 2200/321; B23C 5/06;
B23C 5/15; B23C 5/007; B23C 5/143;
B23C 5/145; B23C 5/205; B23C 5/207;
B23C 2200/048; B23C 2200/085; B23C
2200/086; B23C 2200/087; B23C
2200/125; B23C 2200/128; B23C
2200/201; B23C 2200/204; B23C
2200/362; B23C 2200/367; B23C
2200/0416; B23C 2200/0422; B23C
2200/0423; B23C 2200/0477; B23C
2200/0494

See application file for complete search history.

(56) **References Cited**

U.S. PATENT DOCUMENTS

D772,319 S * 11/2016 Nam D15/139
D822,077 S * 7/2018 Takahashi D15/139

D847,883 S * 5/2019 Kobayashi D15/139
D852,245 S * 6/2019 Kobayashi B23C 5/1036
D15/139
D852,246 S * 6/2019 Kobayashi D15/139
D884,039 S * 5/2020 Endoh D15/139
D884,041 S * 5/2020 Endoh D15/139
2011/0299945 A1* 12/2011 Choi B23C 5/109
407/11

* cited by examiner

Primary Examiner — Patricia A Palasik

(74) *Attorney, Agent, or Firm* — Oliff PLC

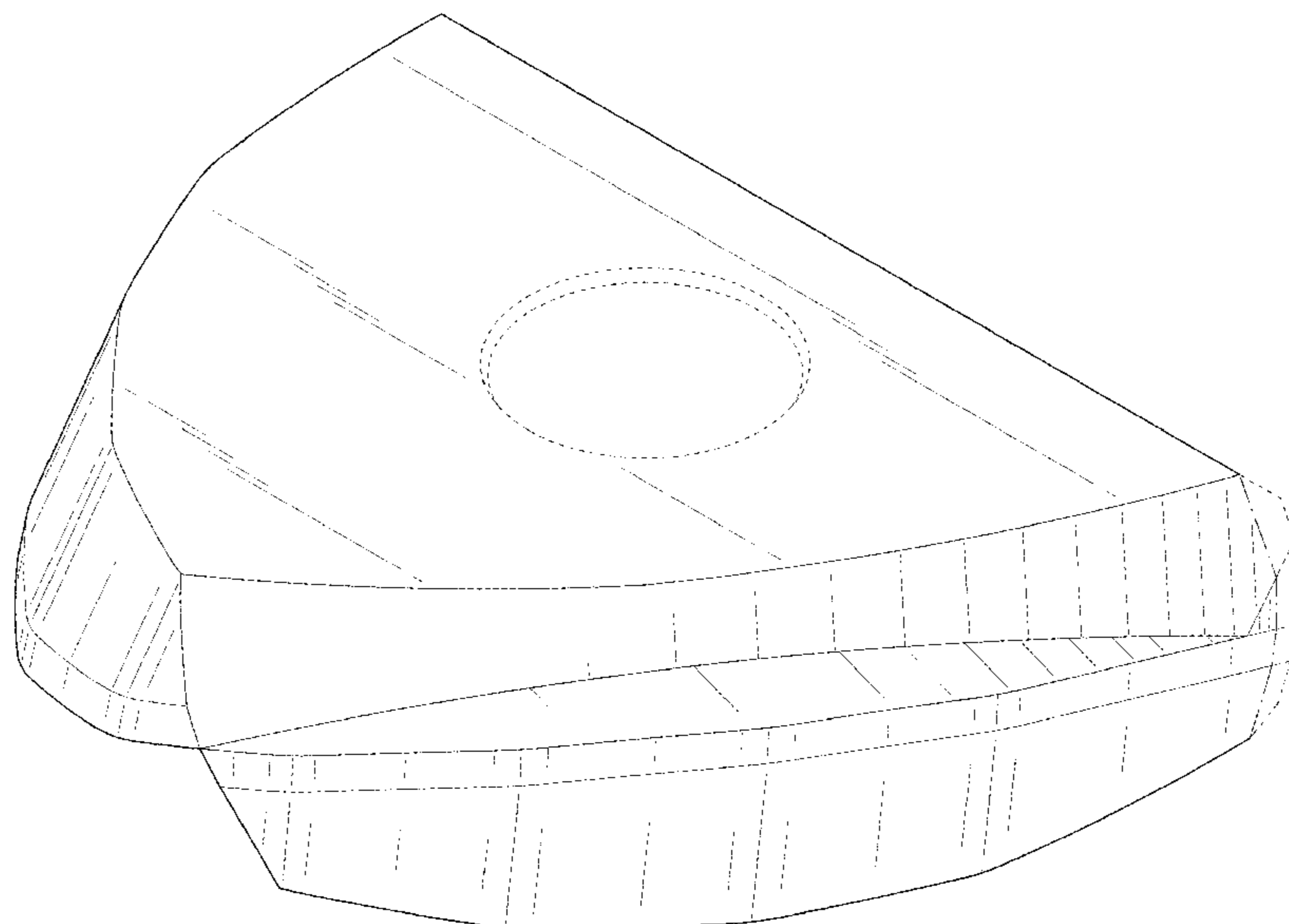
(57) **CLAIM**

The ornamental design for a cutting insert, as shown and described.

DESCRIPTION

FIG. 1 is a front, right-side, bottom perspective view of the cutting insert;
FIG. 2 is a front elevational view thereof;
FIG. 3 is a rear elevational view thereof;
FIG. 4 is a right-side elevational view thereof;
FIG. 5 is a left-side elevational view thereof;
FIG. 6 is a top plan view thereof;
FIG. 7 is a bottom plan view thereof;
FIG. 8 is an enlargement of area 8 in FIG. 2;
FIG. 9 is an enlargement of area 9 in FIG. 2;
FIG. 10 is an enlargement of area 10 in FIG. 6;
FIG. 11 is an enlargement of area 11 in FIG. 7;
FIG. 12 is a cross-sectional view along line 12-12 in FIG. 2; and,
FIG. 13 is a cross-sectional view along line 13-13 in FIG. 2.
The broken lines depict parts of the cutting insert that form no part of the claimed design. The dot-dash chain lines depict boundaries of the claimed subject matter and form no part of the claimed design. The dot-dot-dash chain lines depict enlargement areas and cross-section lines, and thus form no part of the claimed design.

1 Claim, 10 Drawing Sheets



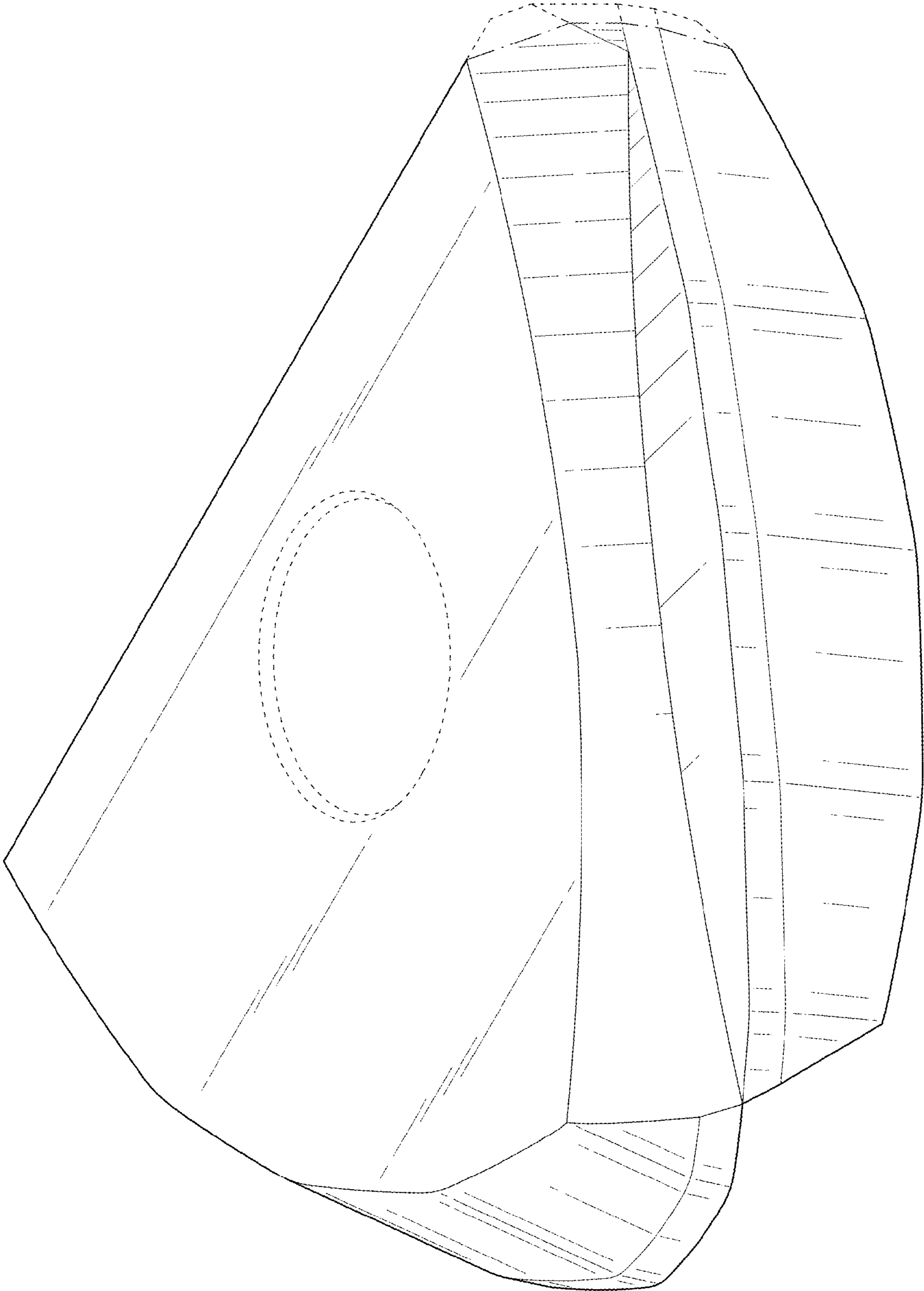


FIG. 1

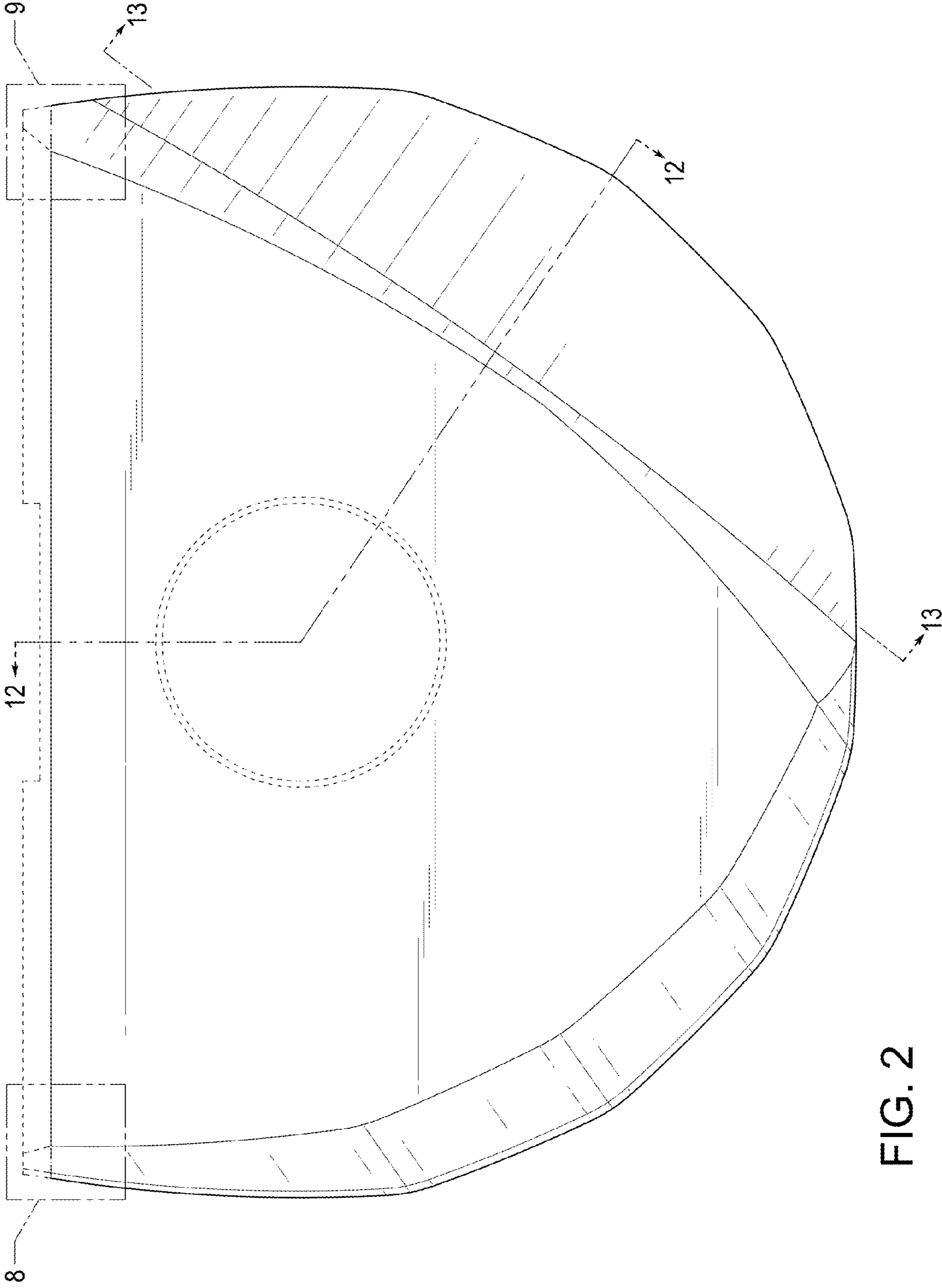


FIG. 2

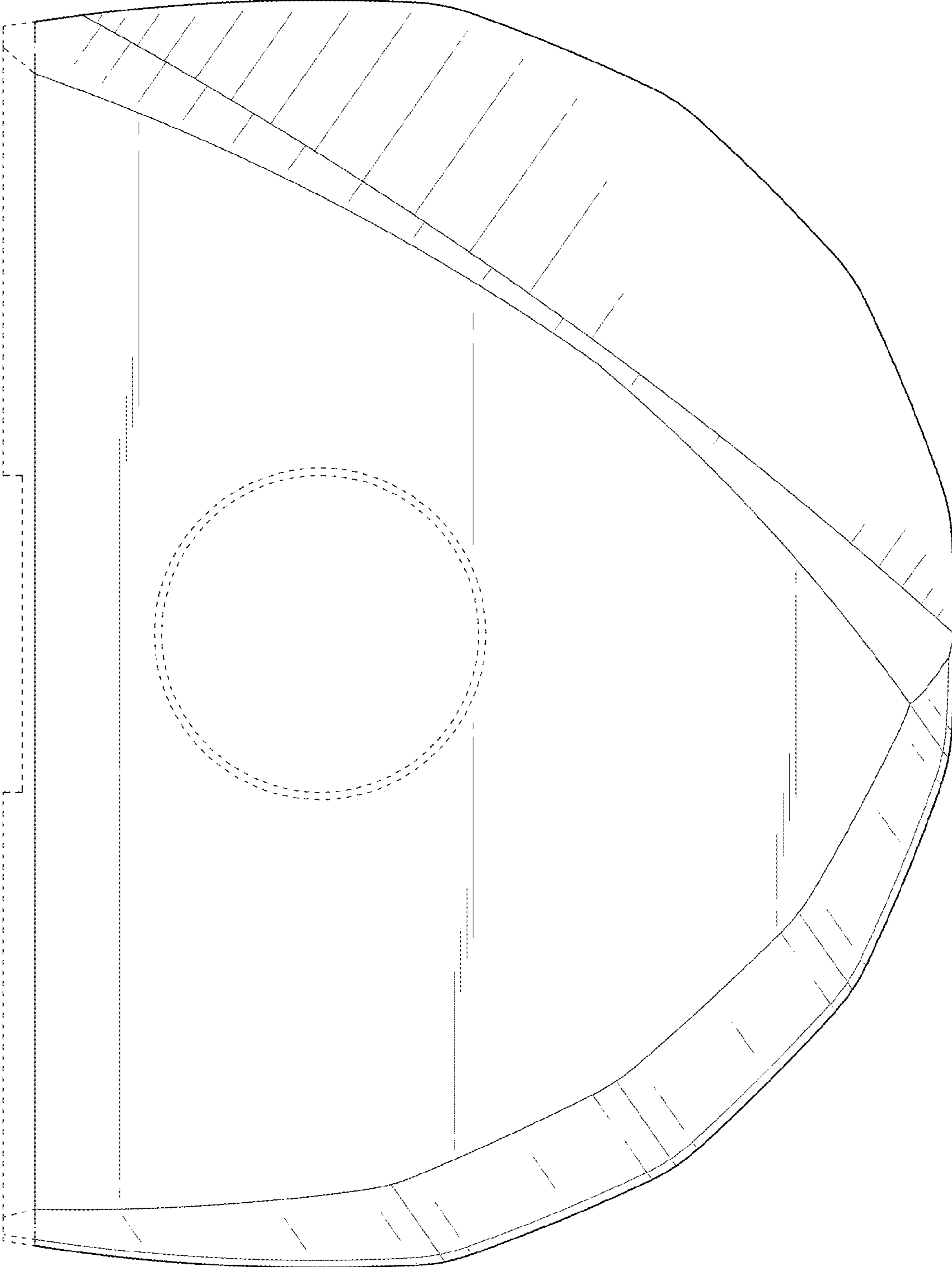


FIG. 3

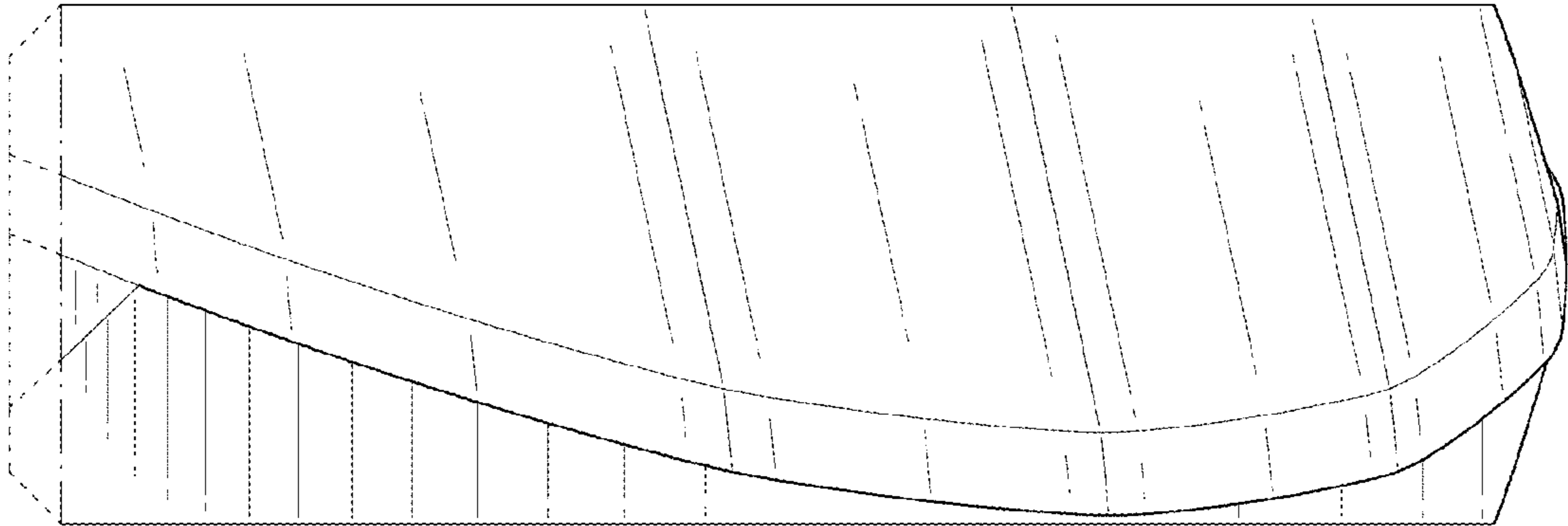


FIG. 4

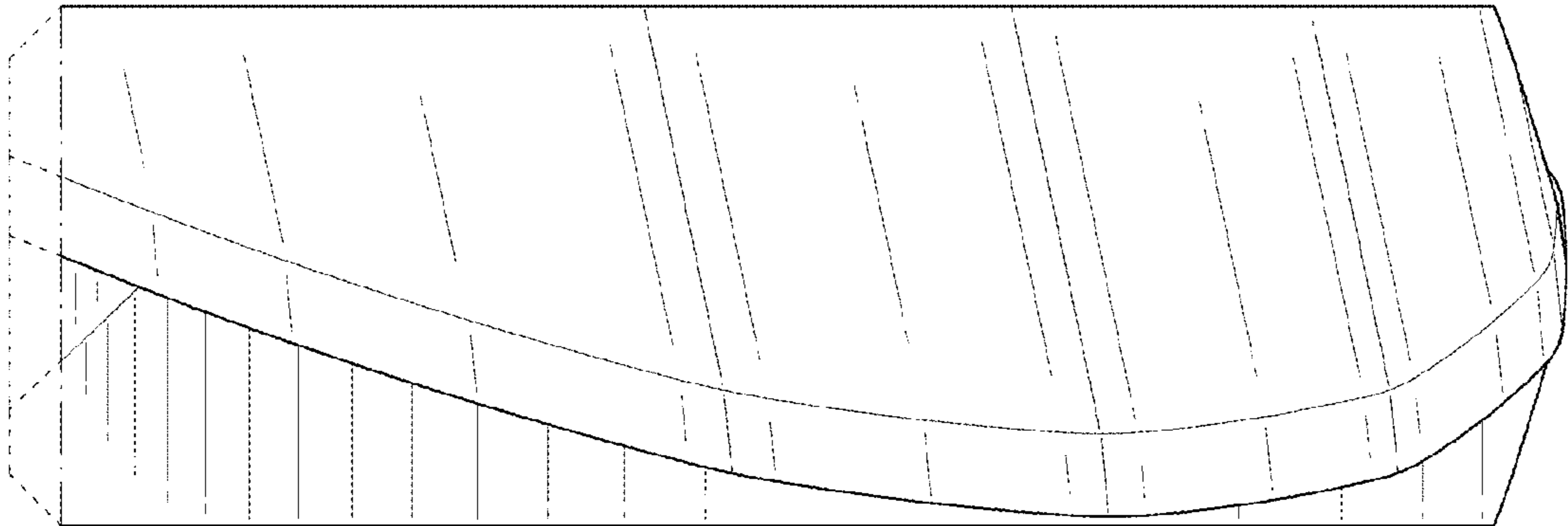


FIG. 5

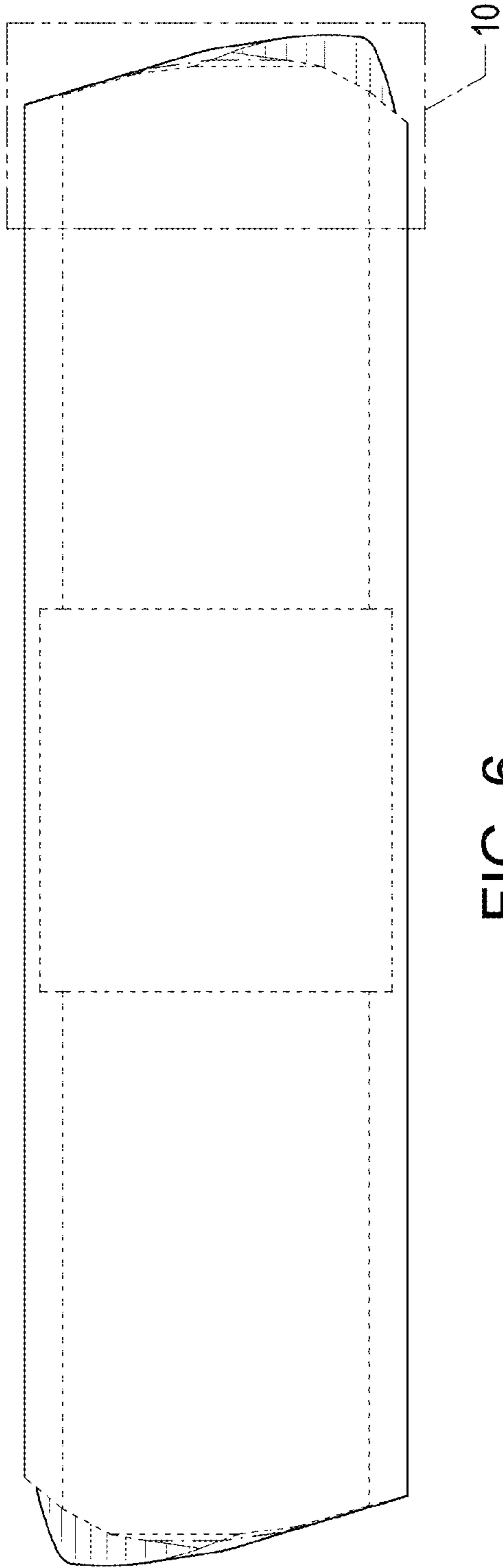


FIG. 6

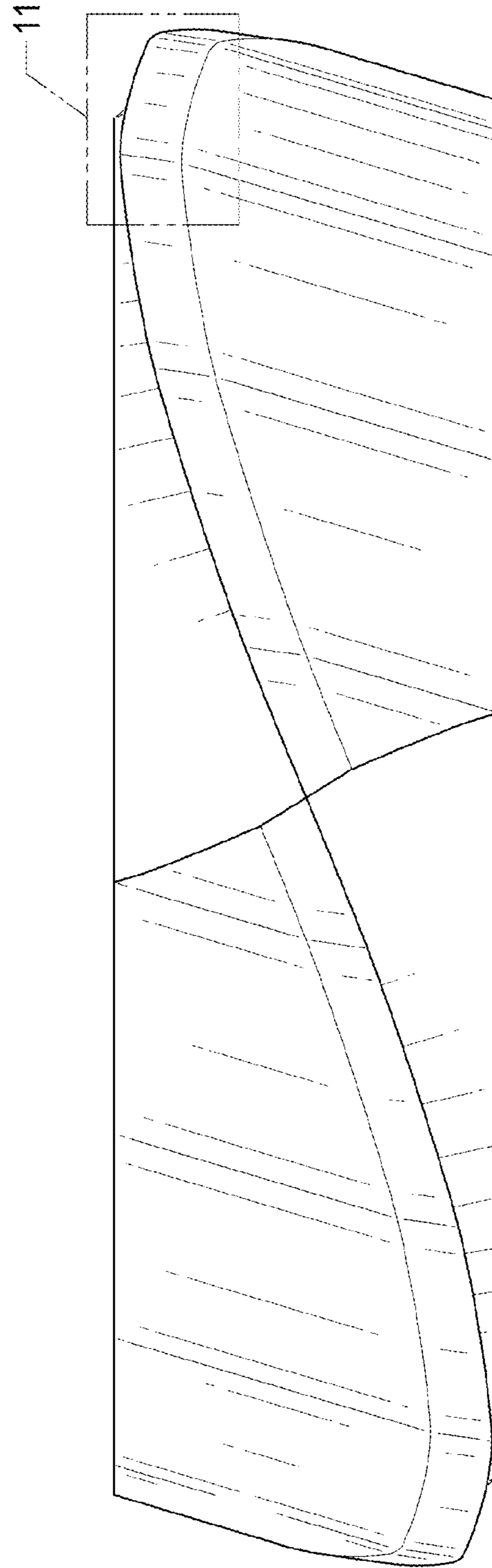


FIG. 7

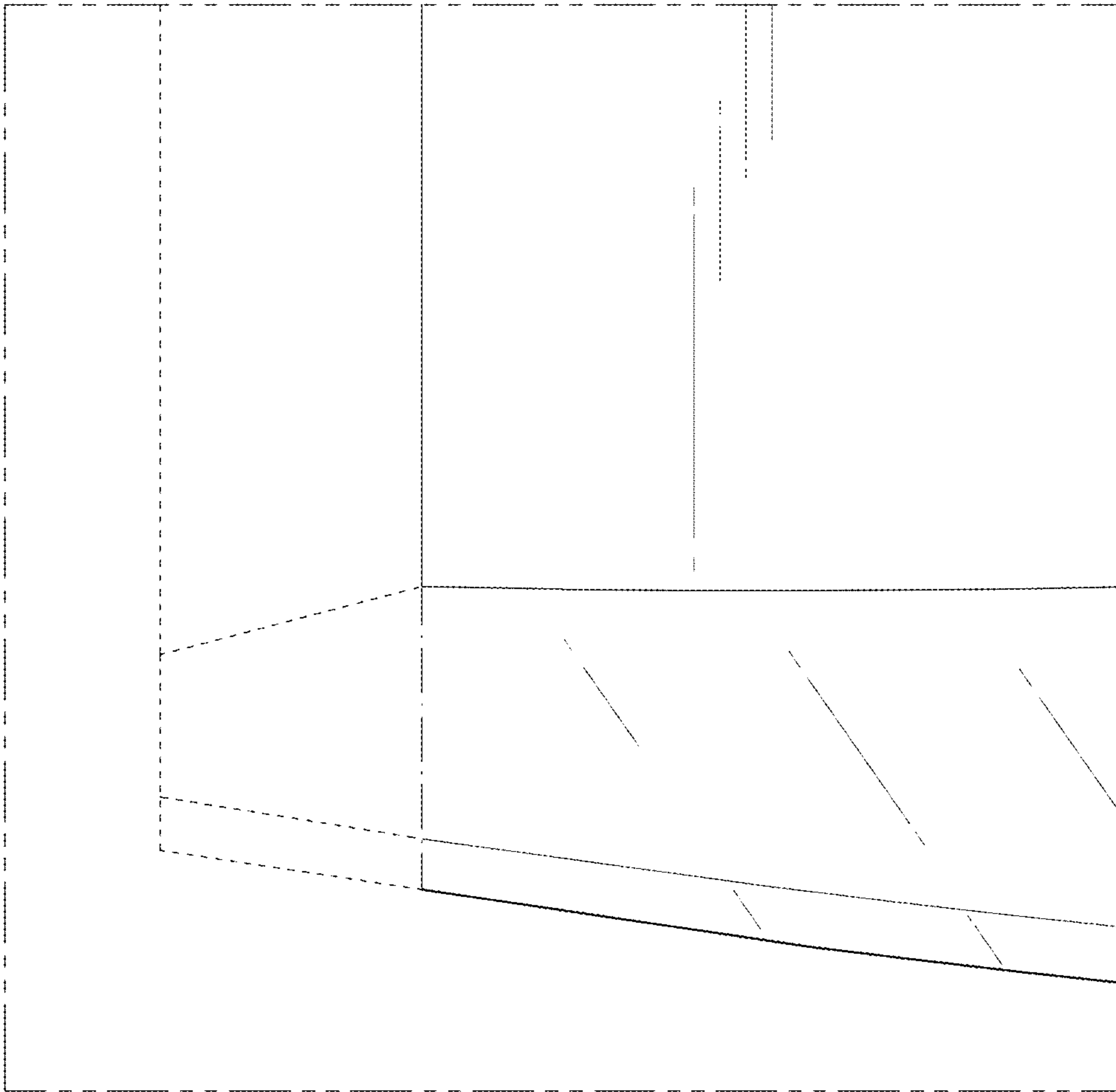


FIG. 8

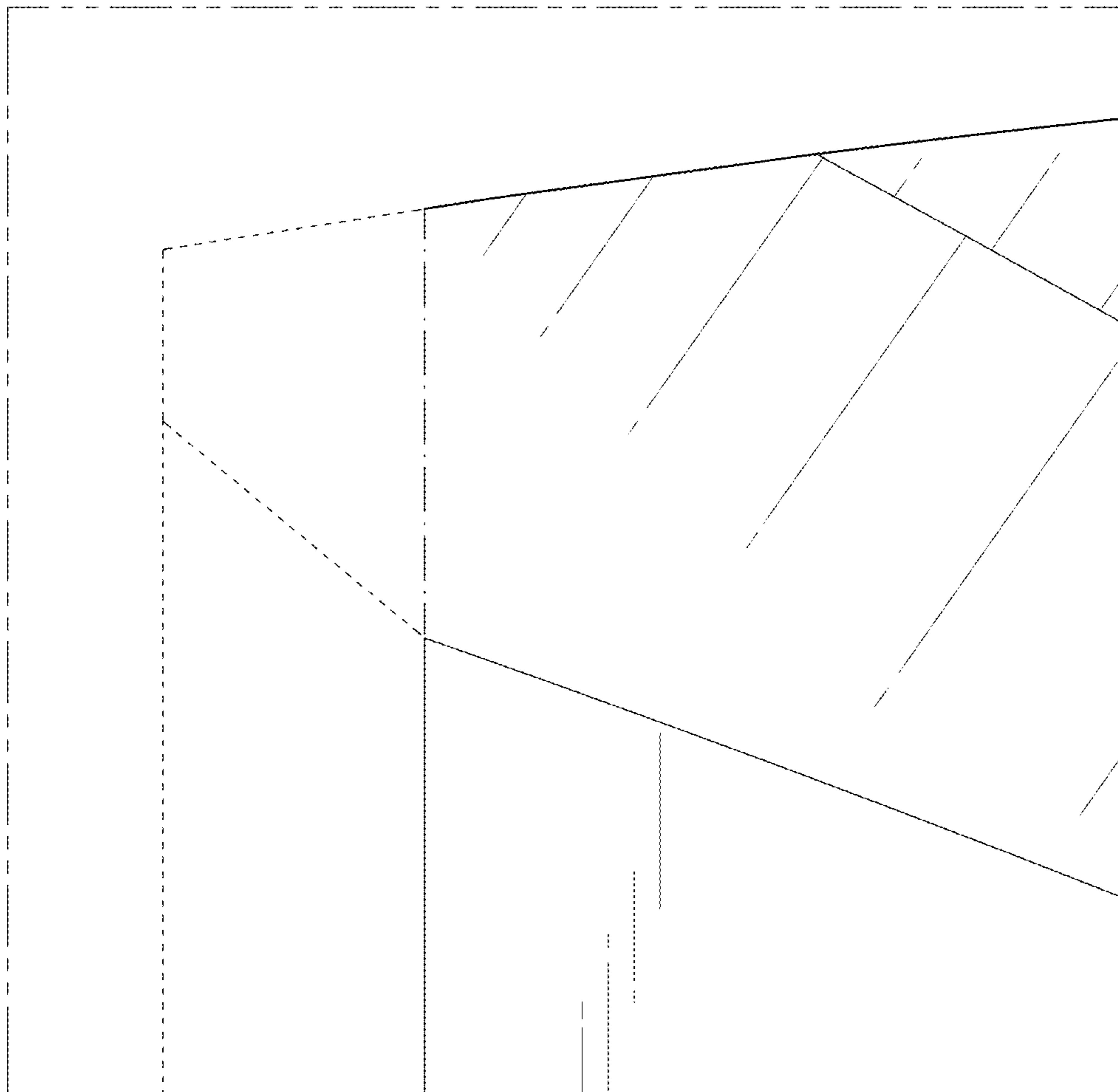


FIG. 9

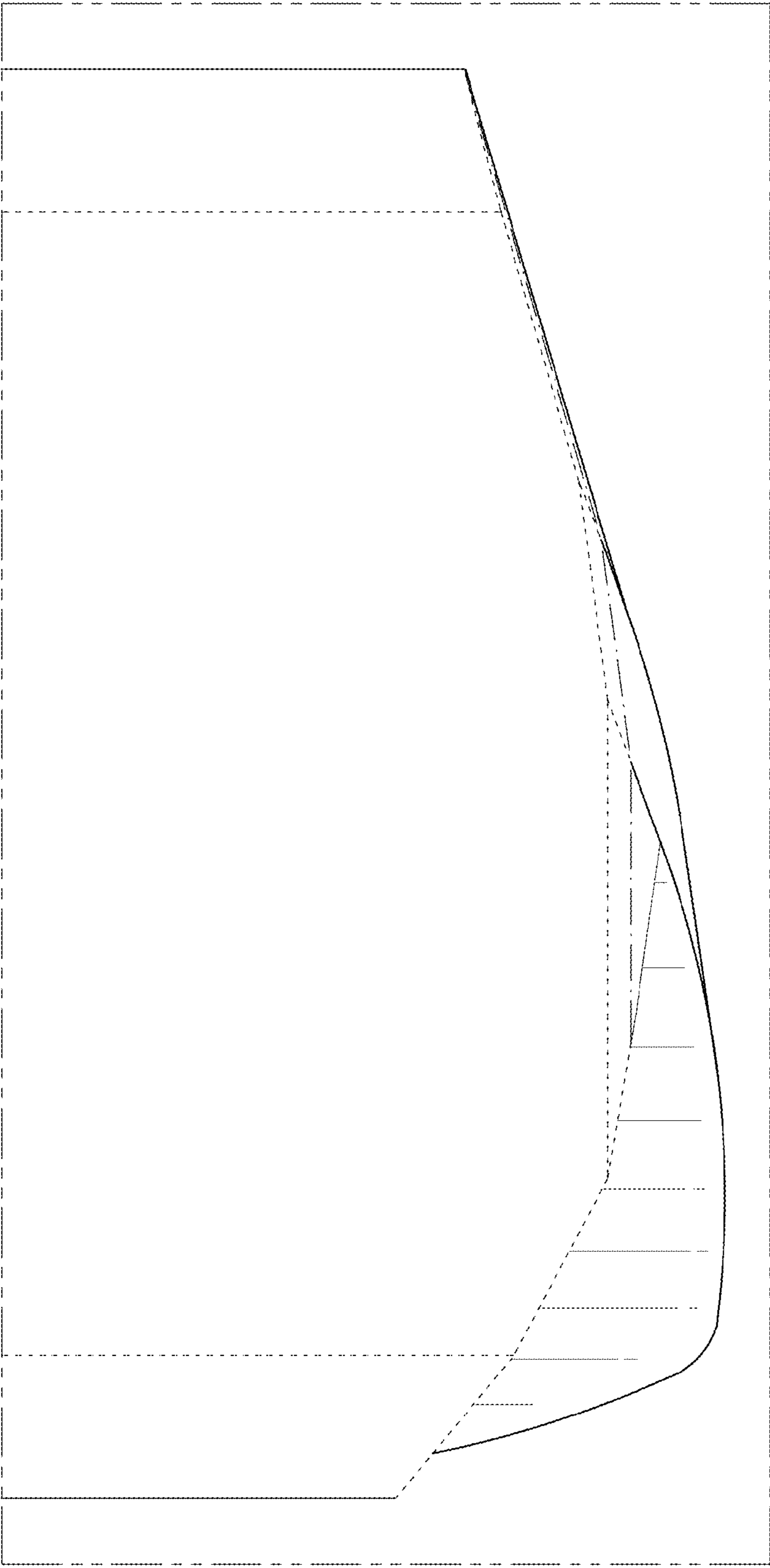


FIG. 10

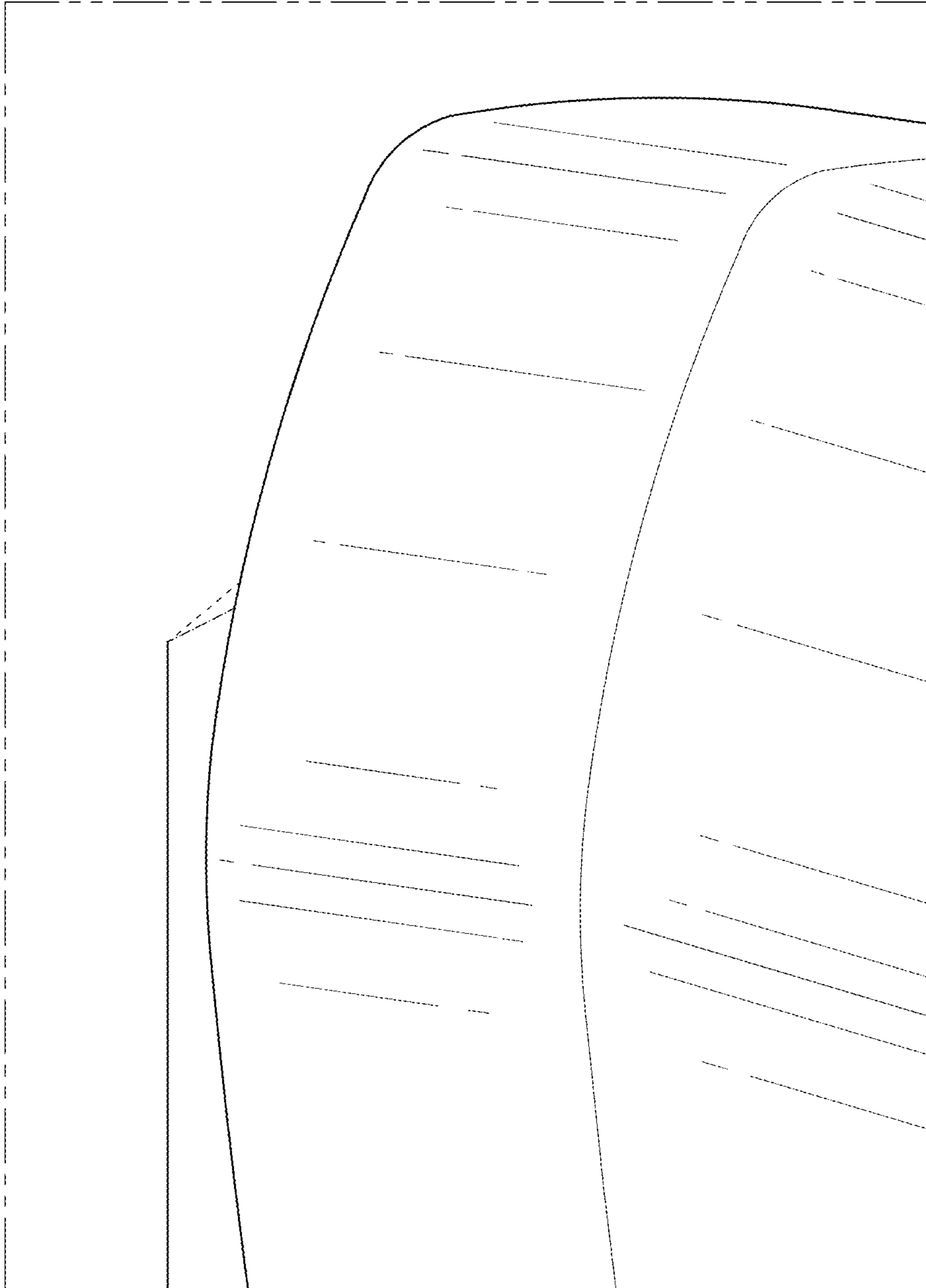


FIG. 11

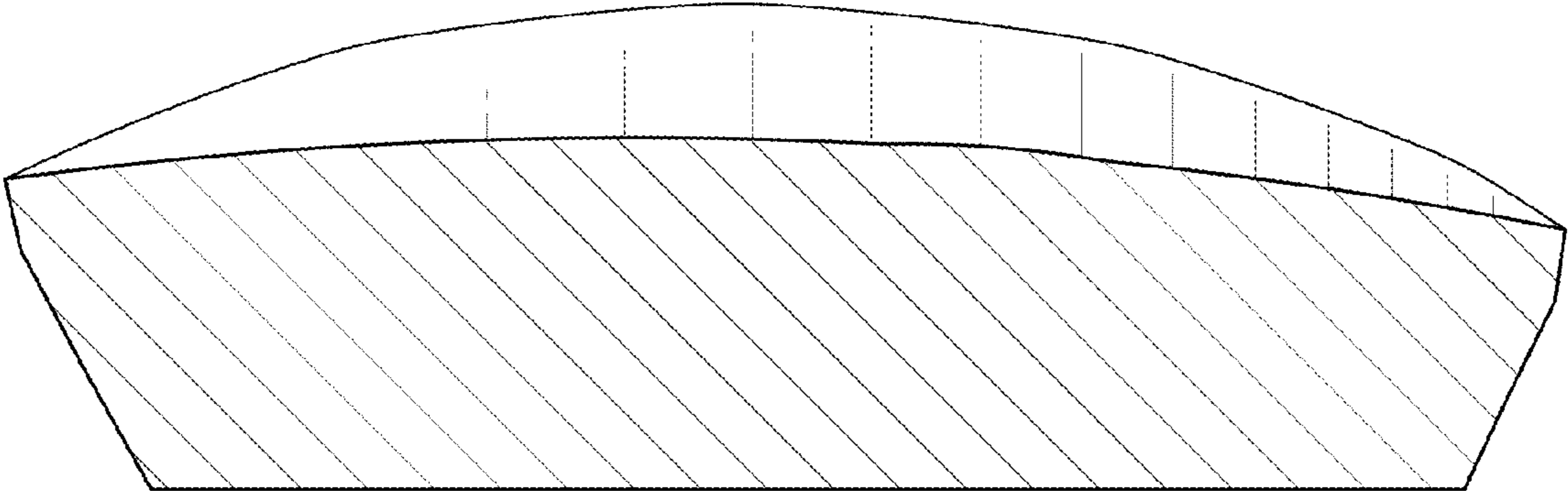


FIG. 13

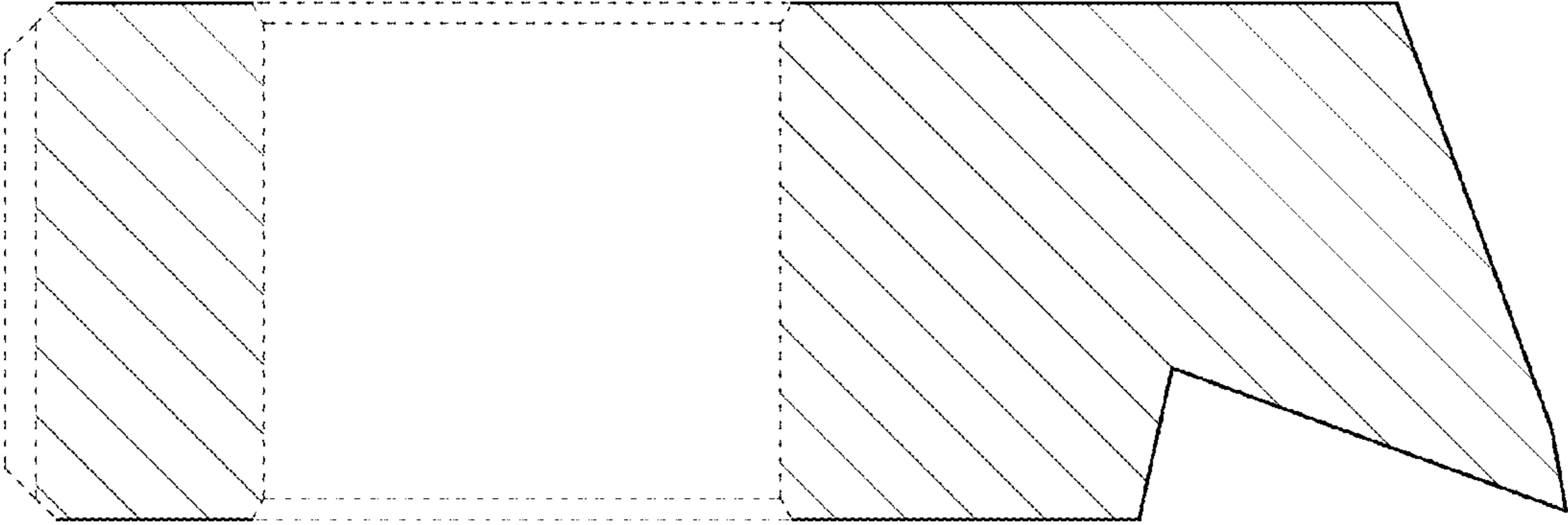


FIG. 12