



US00D909436S

(12) **United States Design Patent** (10) **Patent No.:** **US D909,436 S**
Curry, Jr. (45) **Date of Patent:** **** Feb. 2, 2021**

(54) **CUTTER**
(71) Applicant: **Vermeer Manufacturing Company**,
Pella, IA (US)
(72) Inventor: **James Lee Curry, Jr.**, Memphis, MO
(US)
(73) Assignee: **Vermeer Manufacturing Company**,
Pella, IA (US)

Primary Examiner — Sandra Snapp
Assistant Examiner — Donald B Rose, Jr.
(74) *Attorney, Agent, or Firm* — Michael Best and
Friedrich LLP

(**) Term: **15 Years**

(57) **CLAIM**

I claim the ornamental design for a cutter, as shown and described in FIGS. 1-21.

(21) Appl. No.: **29/677,148**

DESCRIPTION

(22) Filed: **Jan. 17, 2019**
(51) **LOC (13) Cl.** **15-09**
(52) **U.S. Cl.**
USPC **D15/138**; D15/77; D15/133
(58) **Field of Classification Search**
USPC D15/77, 133, 138, 139; 144/176, 218,
144/231, 235, 241, 294; 83/840;
241/194, 294

FIG. 1 is a perspective view of a cutter according to a first embodiment, embodying a first inventive concept.
FIG. 2 is a front view of the cutter of FIG. 1.
FIG. 3 is a rear view of the cutter of FIG. 1.
FIG. 4 is a right side view of the cutter of FIG. 1.
FIG. 5 is a left side view of the cutter of FIG. 1.
FIG. 6 is a top view of the cutter of FIG. 1.
FIG. 7 is a bottom view of the cutter of FIG. 1.
FIG. 8 is a perspective view of a cutter, according to a second embodiment, embodying the first inventive concept.
FIG. 9 is a front view of the cutter of FIG. 8.
FIG. 10 is a rear view of the cutter of FIG. 8.
FIG. 11 is a right side view of the cutter of FIG. 8.
FIG. 12 is a left side view of the cutter of FIG. 8.
FIG. 13 is a top view of the cutter of FIG. 8.
FIG. 14 is a bottom view of the cutter of FIG. 8.
FIG. 15 is a perspective view of a cutter, according to a third embodiment, embodying the first inventive concept.
FIG. 16 is a front view of the cutter of FIG. 15.
FIG. 17 is a rear view of the cutter of FIG. 15.
FIG. 18 is a right side view of the cutter of FIG. 15.
FIG. 19 is a left side view of the cutter of FIG. 15.
FIG. 20 is a top view of the cutter of FIG. 15; and,
FIG. 21 is a bottom view of the cutter of FIG. 15.

(Continued)

(56) **References Cited**

U.S. PATENT DOCUMENTS

3,570,566 A 3/1971 McCreery
3,831,484 A 8/1974 Gibb

(Continued)

FOREIGN PATENT DOCUMENTS

CA 2842972 A1 5/2013
EP 1693110 8/2006

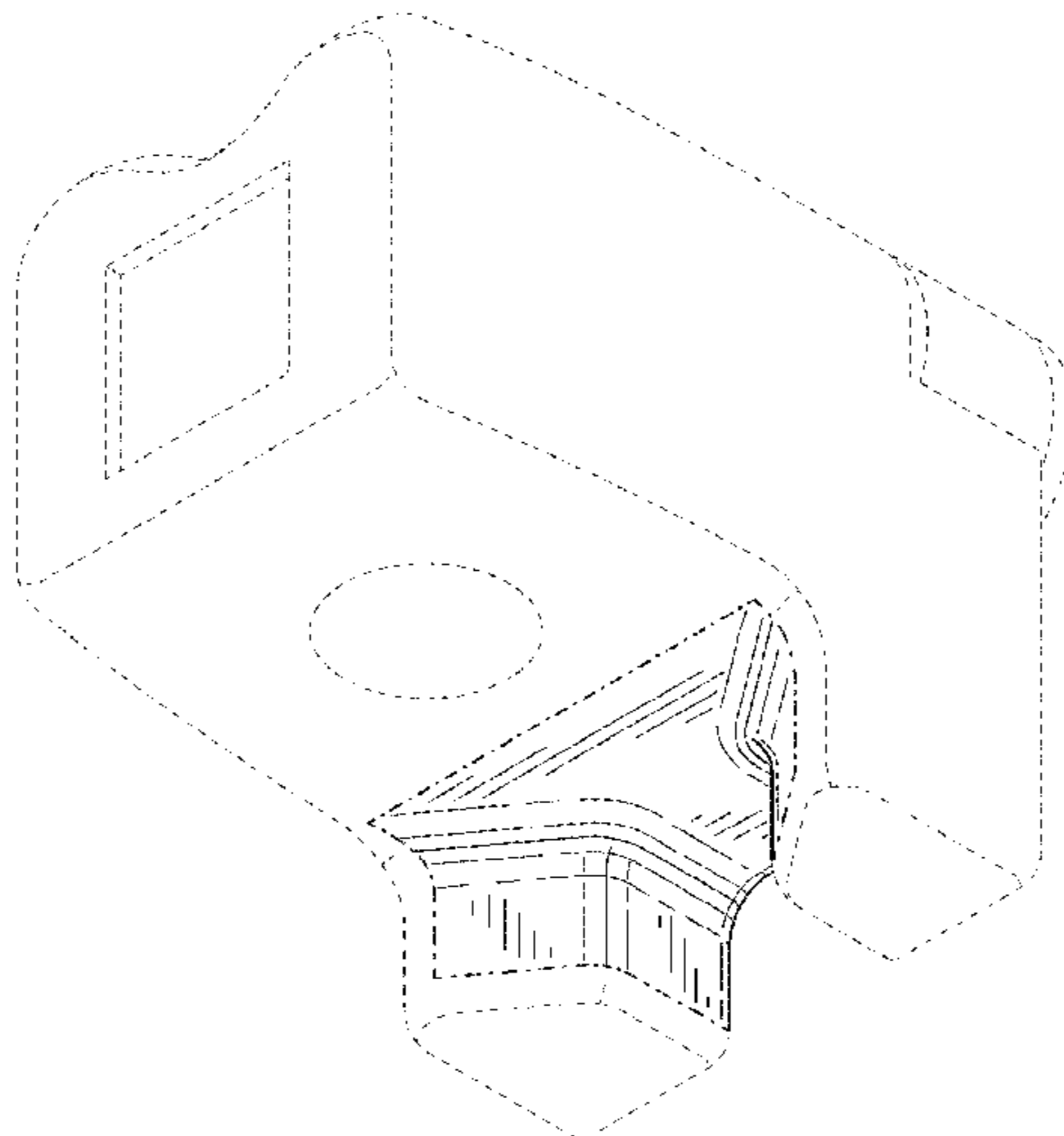
(Continued)

OTHER PUBLICATIONS

Other Attachments, Earliest Available Date Sep. 2, 2017 [Online],
[Site visited Sep. 9, 2020] Available From Internet, URL:<<https://www.power-trac.com/otherattachments.htm>> (Year: 2017).*

(Continued)

1 Claim, 12 Drawing Sheets



- (58) **Field of Classification Search**
 CPC A01G 23/067; B02C 4/305; B02C 7/12;
 B02C 18/18; B02C 13/28; B02C 13/2804;
 B27G 13/00; B27G 13/10; B27L 11/00
 See application file for complete search history.

(56) **References Cited**

U.S. PATENT DOCUMENTS

3,844,619	A	10/1974	Haller	
3,935,887	A	2/1976	Van Zante et al.	
4,222,298	A	9/1980	James	
4,454,901	A	6/1984	Thorsness	
4,667,713	A	5/1987	Wright	
4,709,737	A	12/1987	Jonsson	
4,750,396	A	6/1988	Gaddis et al.	
5,042,733	A	8/1991	Hench	
5,100,070	A	3/1992	Montgomery, Sr.	
5,103,882	A	4/1992	Milbourn	
5,183,089	A	2/1993	Norlander et al.	
5,348,065	A	9/1994	Meyer	
5,365,986	A	11/1994	Hooser	
5,451,128	A	9/1995	Hattersley	
5,477,754	A	12/1995	Herbon	
5,484,111	A	1/1996	Dorscht et al.	
5,497,815	A	3/1996	Bowling	
5,906,231	A	5/1999	Rautio	
5,950,942	A	9/1999	Brand et al.	
6,014,996	A	1/2000	Egging et al.	
6,024,143	A	2/2000	Ritchey	
6,026,781	A	2/2000	Imatake et al.	
6,026,871	A	2/2000	Chapman	
6,045,072	A	4/2000	Zehr	
6,131,838	A	10/2000	Balvanz et al.	
6,230,770	B1	5/2001	Spaargaren	
D447,757	S	9/2001	Rautio	
D448,780	S	10/2001	Rautio	
6,364,227	B1 *	4/2002	Dorscht B02C 13/2804 241/197	
6,382,277	B1	5/2002	Paumier et al.	
6,394,378	B1	5/2002	Ragnarsson	
6,422,495	B1 *	7/2002	De Boef B02C 13/06 241/197	
6,464,157	B1	10/2002	Balvanz et al.	
6,520,440	B2	2/2003	Ragnarsson	
6,546,977	B1	4/2003	Monyak et al.	
6,550,504	B1	4/2003	Leonardi et al.	
6,708,743	B2	3/2004	Ziehm	
6,751,553	B2	6/2004	Young et al.	
6,843,435	B2	1/2005	Verhoef et al.	
6,877,535	B1	4/2005	Bennington	
7,011,124	B1	3/2006	Morey	
7,104,294	B2	9/2006	Kopocs et al.	
7,131,606	B2	11/2006	Rogers	
7,143,796	B2 *	12/2006	Arasmith B02C 18/2266 144/373	
7,213,623	B2	5/2007	Shinn	
7,293,729	B2	11/2007	Ragnarsson	
D567,832	S	4/2008	Edwards	
7,380,576	B2	6/2008	Pizzuto	
7,578,462	B2	8/2009	Edwards	
7,584,921	B1 *	9/2009	Bennington A01G 23/093 241/294	
7,694,704	B2	4/2010	Gossett	
7,743,803	B2	6/2010	Paumier	
7,815,136	B2 *	10/2010	Arnston B02C 18/146 241/294	
7,918,252	B2	4/2011	Gossett	
7,938,350	B2	5/2011	Doppstadt et al.	
8,033,490	B1	10/2011	Young et al.	
8,066,213	B2	11/2011	Marquardsen	
8,113,453	B2	2/2012	Bardos	
8,231,072	B2	7/2012	Willibald	
8,408,258	B2	4/2013	Leonardi et al.	
8,540,033	B2	9/2013	Stanley et al.	
8,584,717	B2	11/2013	Leonardi et al.	
8,672,001	B2	3/2014	Leonardi et al.	

9,137,954	B2	9/2015	Leonardi et al.	
D757,124	S	5/2016	Stanley et al.	
D772,951	S	11/2016	Stanley et al.	
9,578,816	B2	2/2017	Green et al.	
9,686,922	B2	6/2017	Cairns	
D796,291	S	9/2017	Sewell et al.	
D796,292	S	9/2017	Sewell et al.	
D807,935	S *	1/2018	Dudzinsky B23C 5/2221 D15/139	
9,894,848	B2	2/2018	Weinberg et al.	
10,051,798	B2	8/2018	Leonardi et al.	
D845,360	S *	4/2019	Kobayashi D15/139	
D852,245	S *	6/2019	Kobayashi D15/139	
D880,547	S *	4/2020	Weinberg D15/139	
D884,039	S *	5/2020	Endoh D15/139	
D884,040	S *	5/2020	Endoh D15/139	
D884,041	S *	5/2020	Endoh D15/139	
10,737,275	B2 *	8/2020	Johnson B02C 18/14	
2005/0001084	A1	1/2005	Pizzuto	
2006/0102247	A1	5/2006	Green	
2007/0181725	A1	8/2007	Edwards	
2007/0193428	A1	8/2007	MacLennan et al.	
2008/0105334	A1	5/2008	Leonardi et al.	
2008/0245440	A1	10/2008	Paumier	
2010/0170379	A1 *	7/2010	MacLennan B23D 65/00 83/840	
2013/0161428	A1 *	6/2013	Hongo B02C 13/2804 241/73	
2014/0196818	A1	7/2014	Weinberg et al.	
2014/0196819	A1	7/2014	Leonardi et al.	
2014/0217220	A1 *	8/2014	Weinberg A01G 23/093 241/282.1	
2015/0069160	A1 *	3/2015	Roozeboom B02C 13/2804 241/191	
2015/0136276	A1	5/2015	Green et al.	
2015/0375233	A1	12/2015	Daining et al.	
2017/0079219	A1	3/2017	Stanley et al.	
2017/0087558	A1	3/2017	Davis	
2018/0125017	A1	5/2018	Leonardi et al.	
2018/0317405	A1	11/2018	Leonardi et al.	
2018/0352757	A1	12/2018	Leonardi et al.	
2020/0197947	A1 *	6/2020	Verzilli B02C 13/2804	
2020/0222999	A1 *	7/2020	Curry, Jr. B28D 1/188	

FOREIGN PATENT DOCUMENTS

EP	1214979	1/2008
EP	2659768	11/2013
EP	2777385	5/2016
EP	3090824	A1 11/2016
EP	1833647	B1 7/2017
WO	2014110253	7/2014

OTHER PUBLICATIONS

Phantom Wheel Stump Grinder Wheel, Earliest Date Sep. 9, 2020 [Online], [Site visited Sep. 9, 2020] Available From Internet, URL: <<https://www.leonarditreecare.com/products/phantom-wheel>> (Year: 2020).*

Bandit Industries, Inc., "The Beast Horizontal Grinders," parts catalog (2013) pp. 1-20.

Leonardi, "M1 Silver Cutting System," YouTube (2010) 1 page.

Leonardi, "M1 Gold Cutting System," YouTube (2010) 1 page.

Leonardi, "M1 Technique Video," YouTube (2017) 1 page.

Leonardi, "M1 Wheels and Teeth," brocher (2019) 3 pages.

Quadco, "Mower & Grinder Teeth Pocket Guide" brochure/grinder application chart (publicly available at least as early as 2017) www.quadco.com, 2 pages.

Quadco, "Saw Tooth & Disc Pocket Guide" brochure/parts list (publicly available at least as early as 2017) www.quadco.com, 2 pages.

Vermeer, "Genuine Vermeer Grinder Tips," applications guide (2016) 4 pages.

Ditch Witch, "MT16 Microtrencher," website (publicly available at least as early as Nov. 16, 2018) <https://www.ditchwitch.com/trenchers/micro/mt16>, 11 Pages.

(56)

References Cited

OTHER PUBLICATIONS

Rayco Manufacturing Inc, Image of "RG1635D", 2003.
Bandit Industries Inc., Image of "Model 2890 Stump Grinder", 2011.
Bucktooth Grinding Co. LLC, "About Us", <<http://www.bucktoothgrinding.com/about.html>>, webpage publicly available at least as early as Apr. 28, 2013.
Vermeer, "SC802 Stump Cutter" Informational Brochure, 2015, 2 pages.
Greenteeth Manufacturing, "Reverse-S™ Cutting System", <<https://www.greenteeth.com/reverse-cutting>>, webpage publicly available at least as early as Sep. 13, 2018.
ArbLease, "Bandit 2550XP Tracked", <<https://www.arblease.co.uk/machinery/bandit-2550xp-tracked/>>, webpage publicly available at least as early as Sep. 13, 2018.
Leonardi, "Phantom Wheel", YouTube, <<https://www.youtube.com/watch?v=BPI9nxrioy0>>, May 17, 2010.
Leonardi, "M1 Blueshark Wheels and Teeth", <<https://www.leonarditreecare.com/collections/m1-blueshark-wheels-and-teeth>>, Apr. 12, 2012.

Greenteeth Manufacturing, "700 Series", <<https://www.ceisupply.com/greenteeth-700-series-2>>, webpage publicly available at least as early as Mar. 30, 2017.

Greenteeth Manufacturing, "Greenwheel & Quadwheel", <<https://www.greenteeth.com/greenwheel>>, webpage publicly available at least as early as Sep. 13, 2018.

Alpine Magnum, "Multi Tip Replacement Teeth", <<https://www.alpinemagnum.com/multi-tip.htm>>, webpage publicly available at least as early as Feb. 8, 2005.

King Arthur's Tools, "Lancelot Squire About", <<https://katools.com/lancelot-squire-combo-kits/>>, webpage publicly available at least as early as Jun. 12, 2016.

Northern ArbSupplies, "Rotatech Praxis Quadblade Teeth Set", <<https://www.northernarbsupplies.co.uk/stump-grinder-teeth/3478-rotatech-praxis-quadblade-teeth-set-7111604712879.html>>, webpage publicly available at least as early as Sep. 13, 2018.

United States Patent Office Non final Rejection for U.S. Appl. No. 16/270,025 dated Jun. 23, 2020 (8 pages).

* cited by examiner

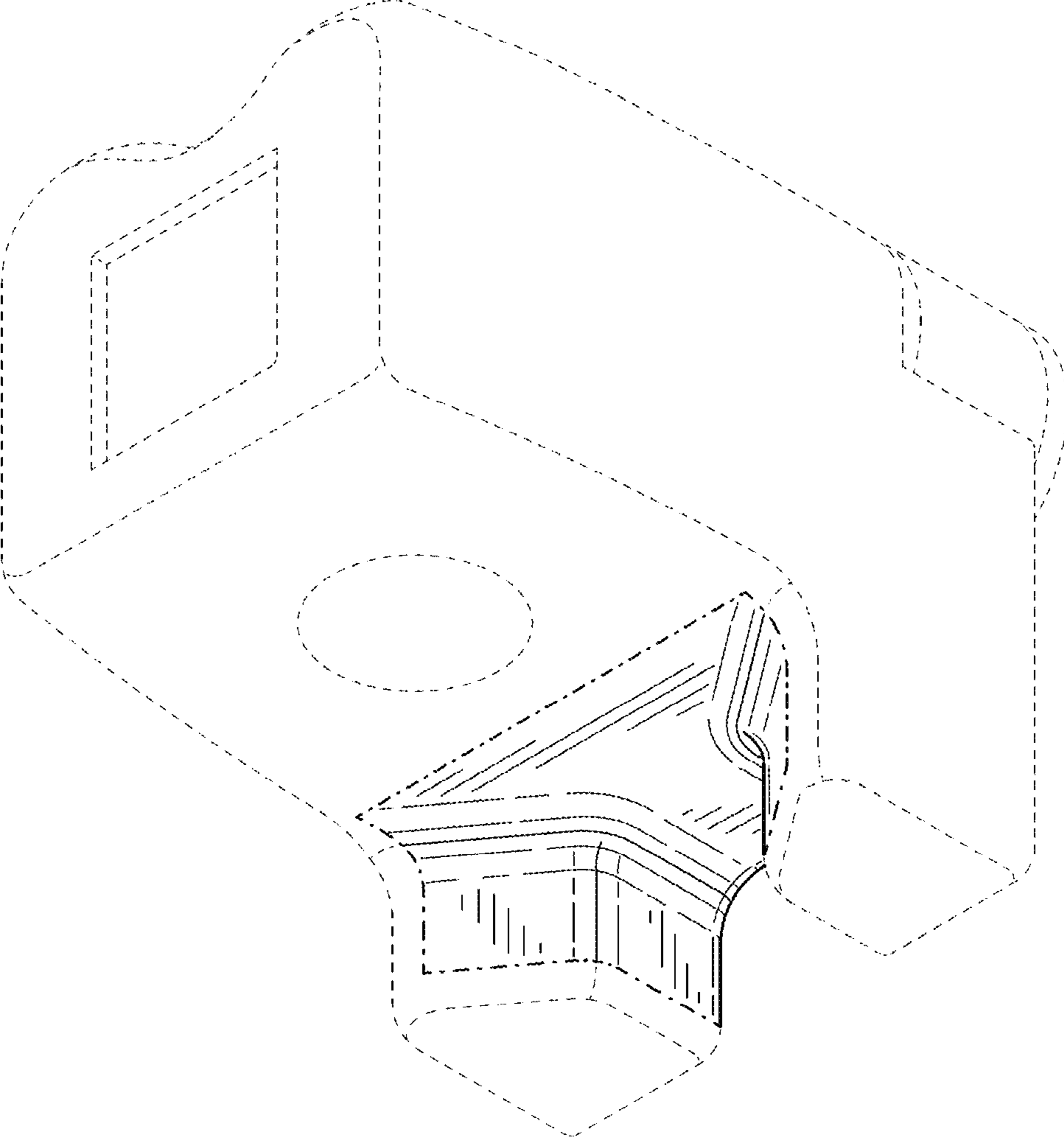


FIG. 1

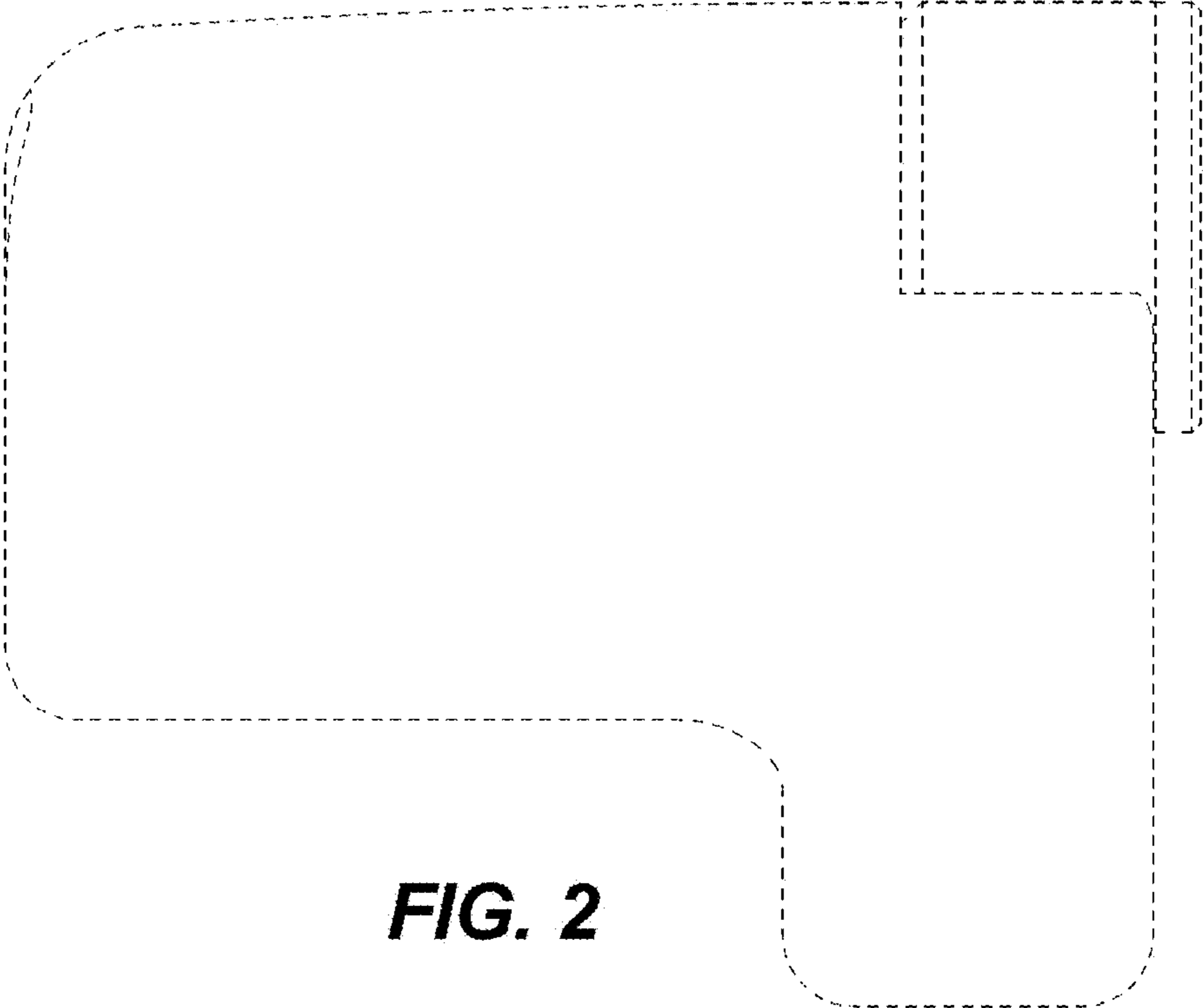


FIG. 2

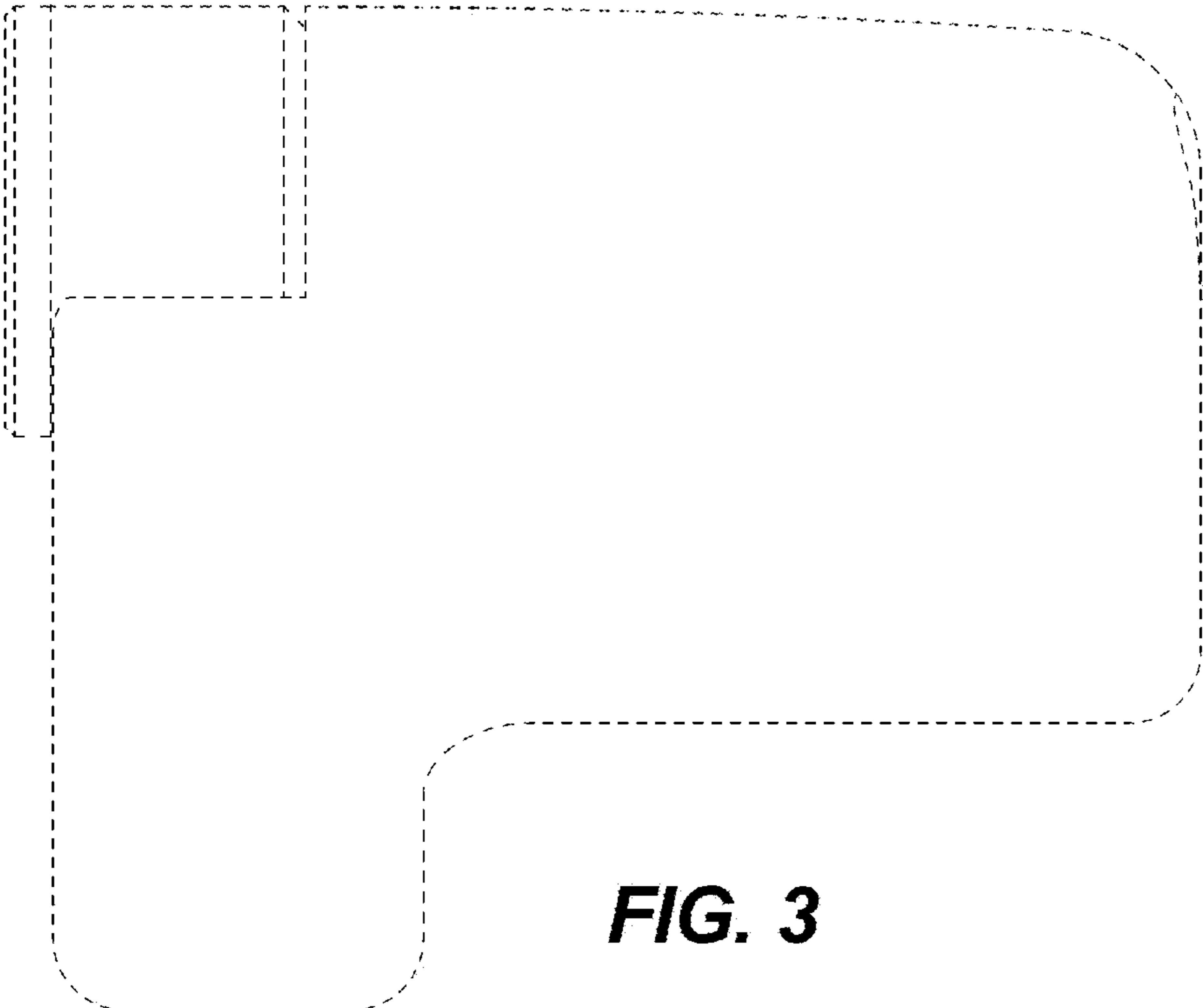


FIG. 3

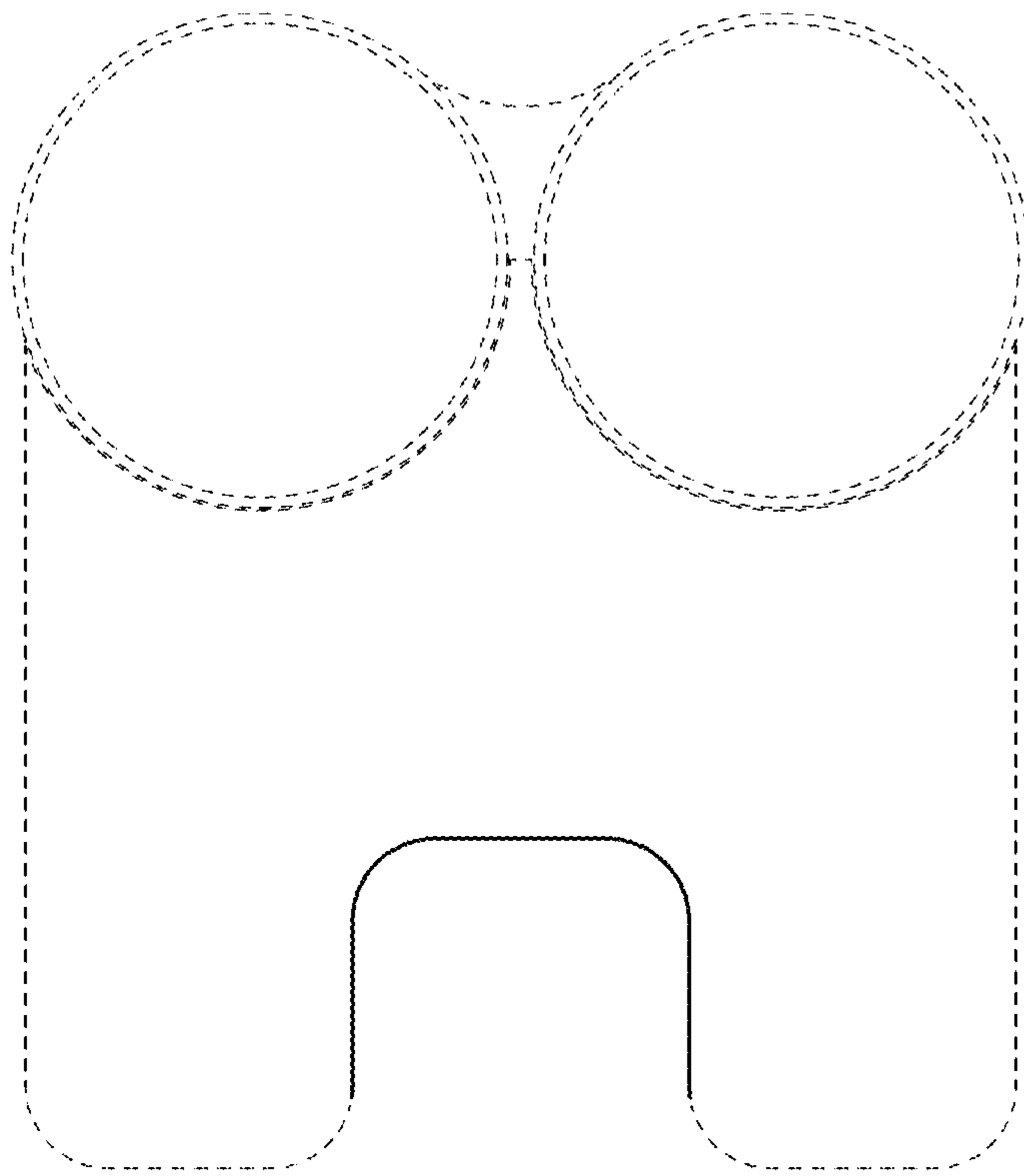


FIG. 4

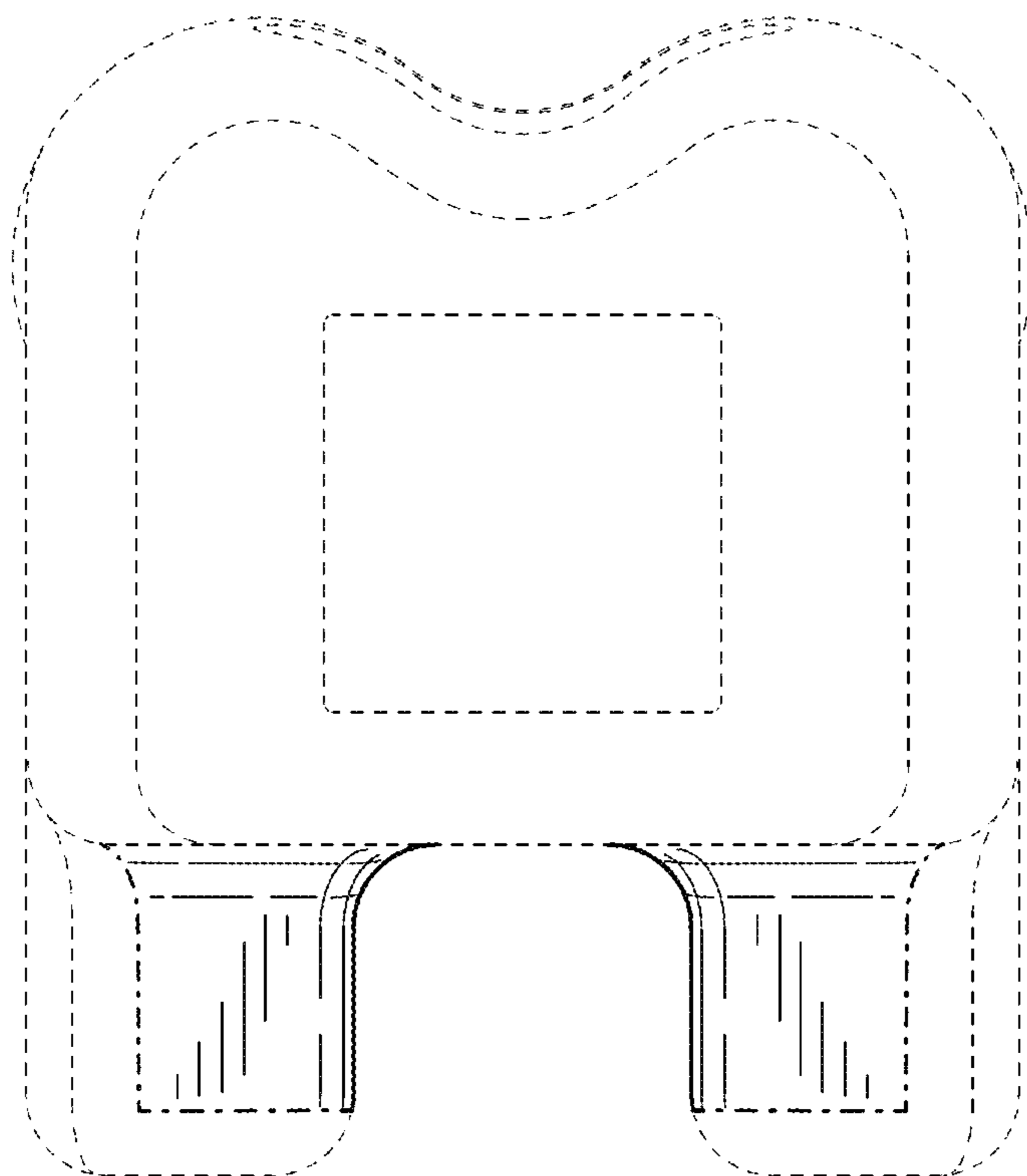


FIG. 5

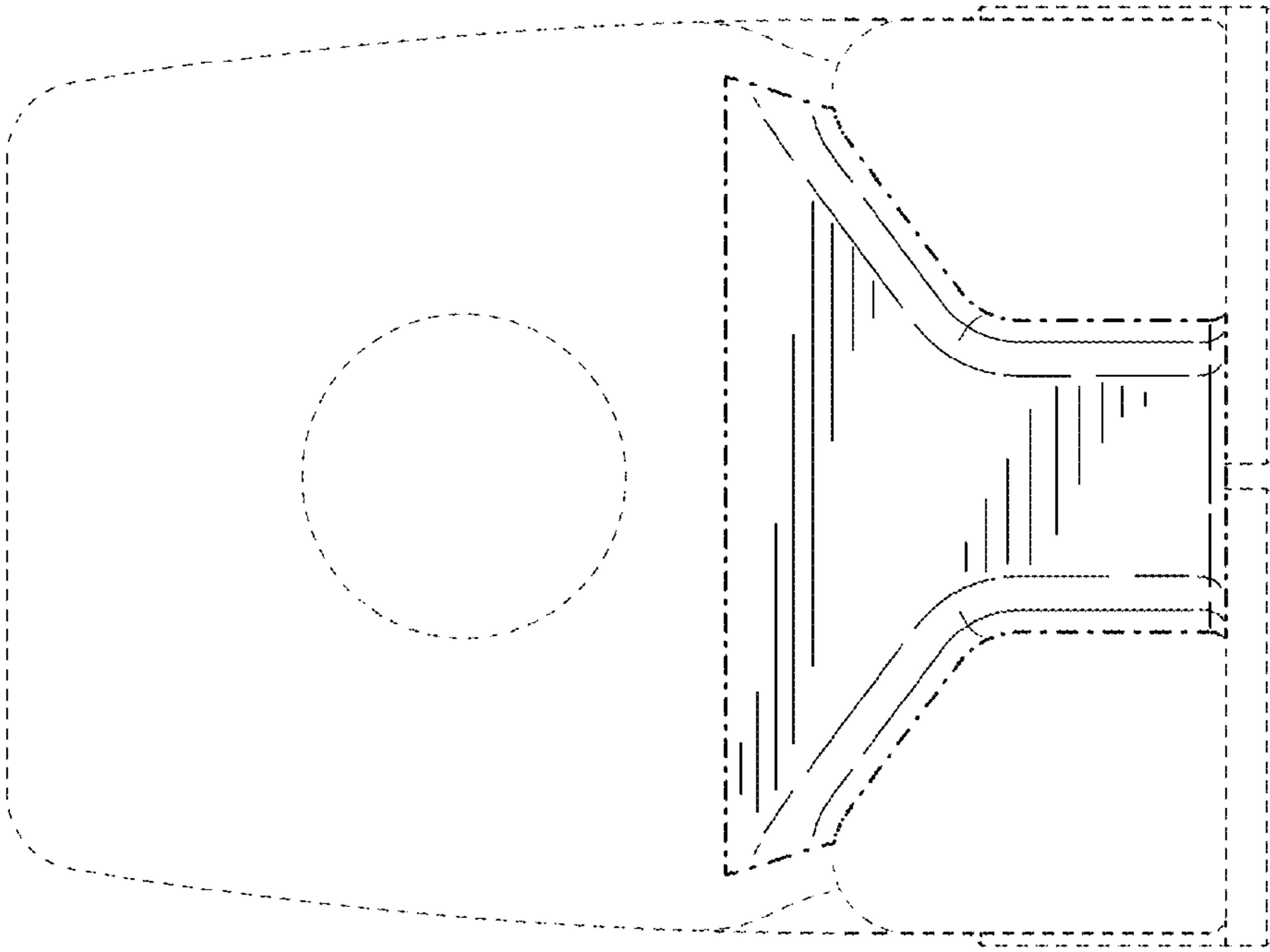


FIG. 6

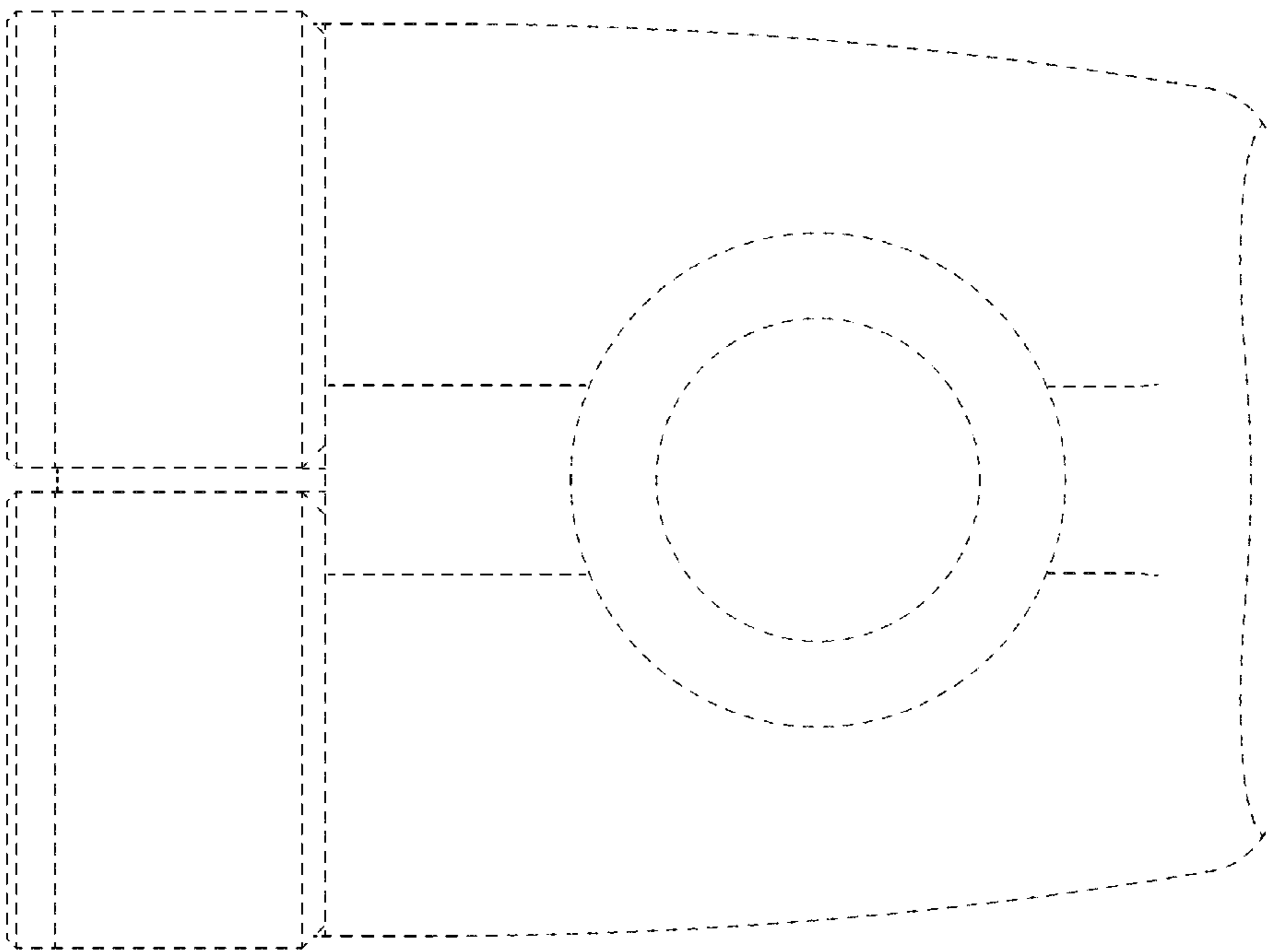


FIG. 7

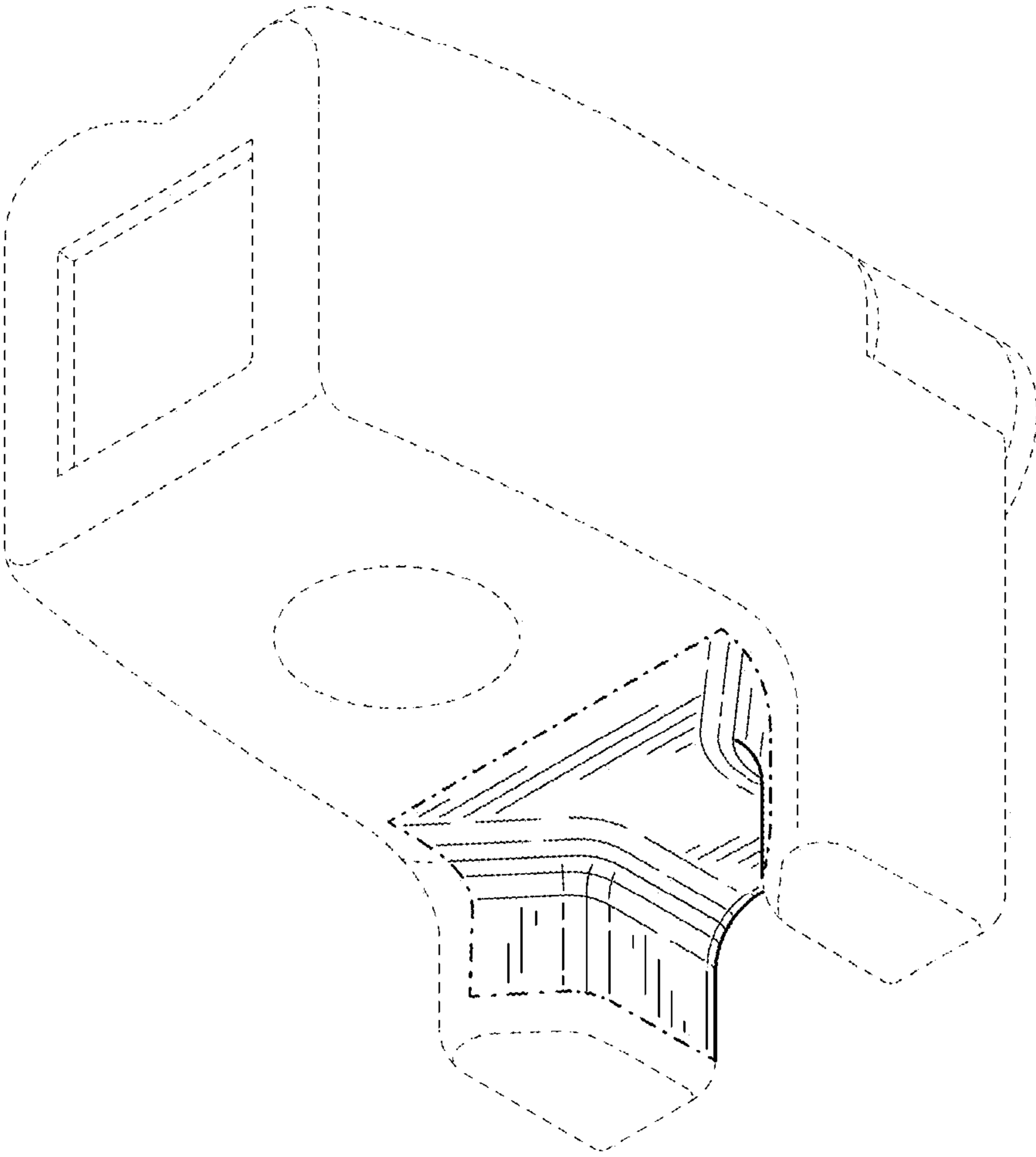
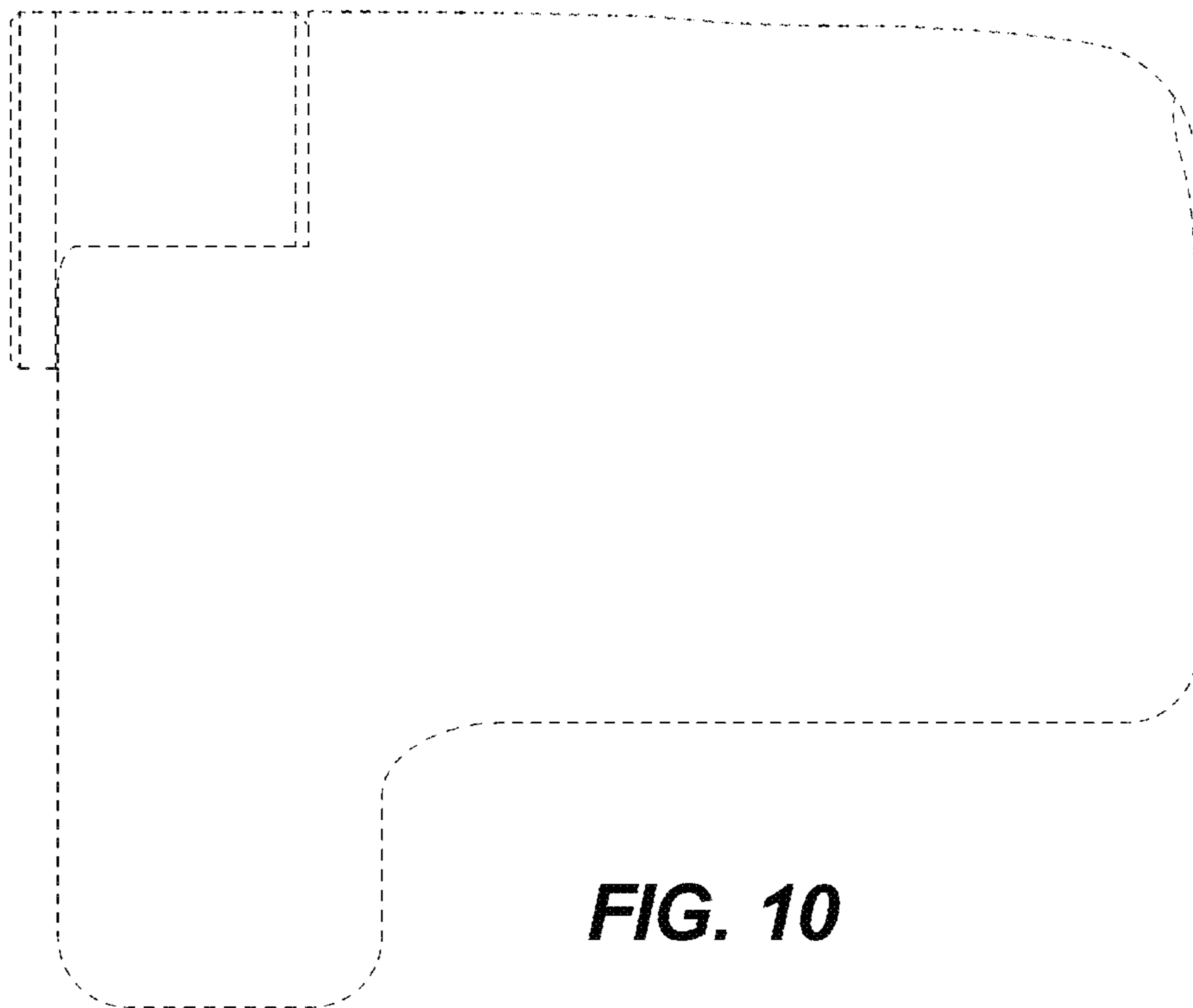
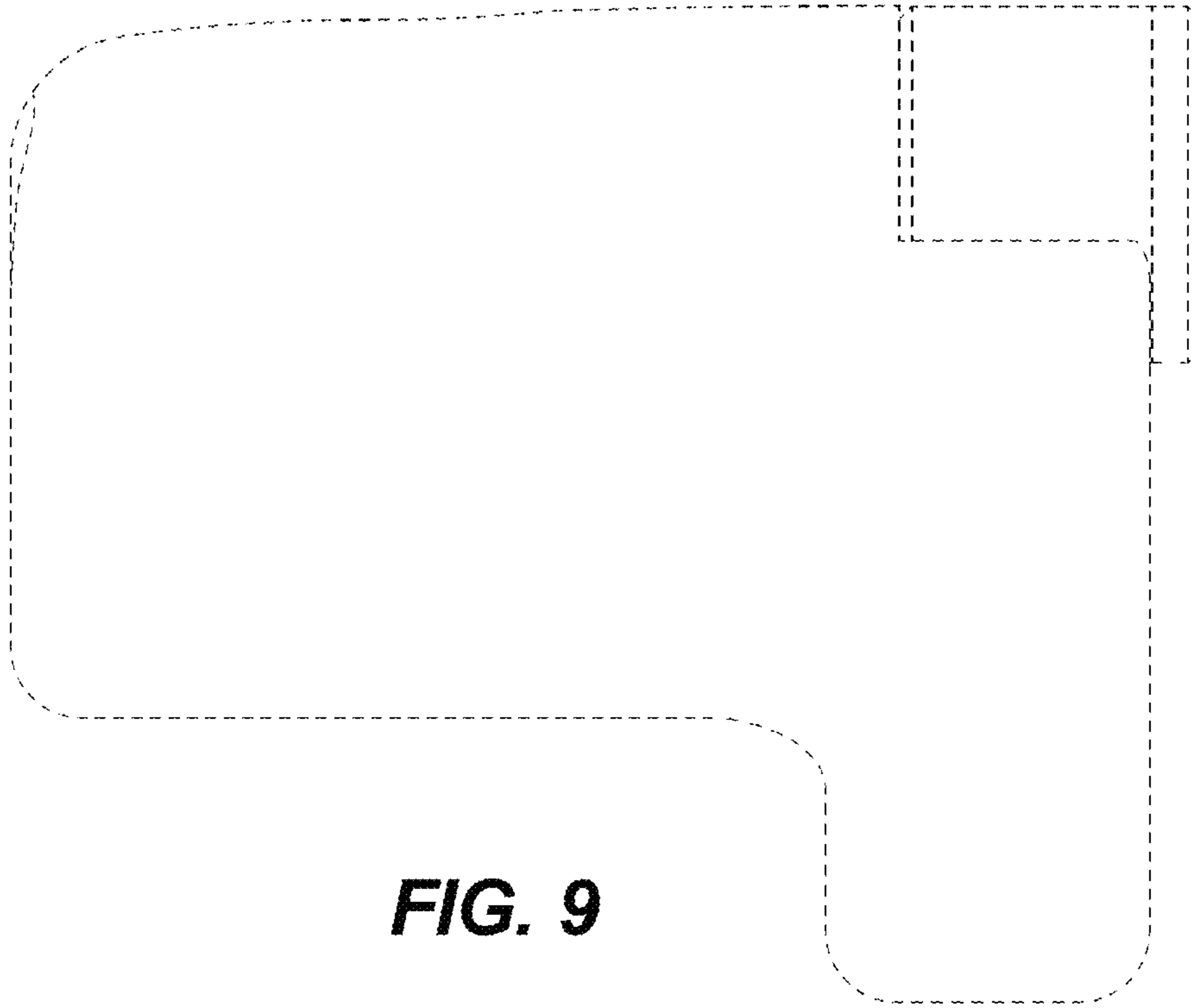


FIG. 8



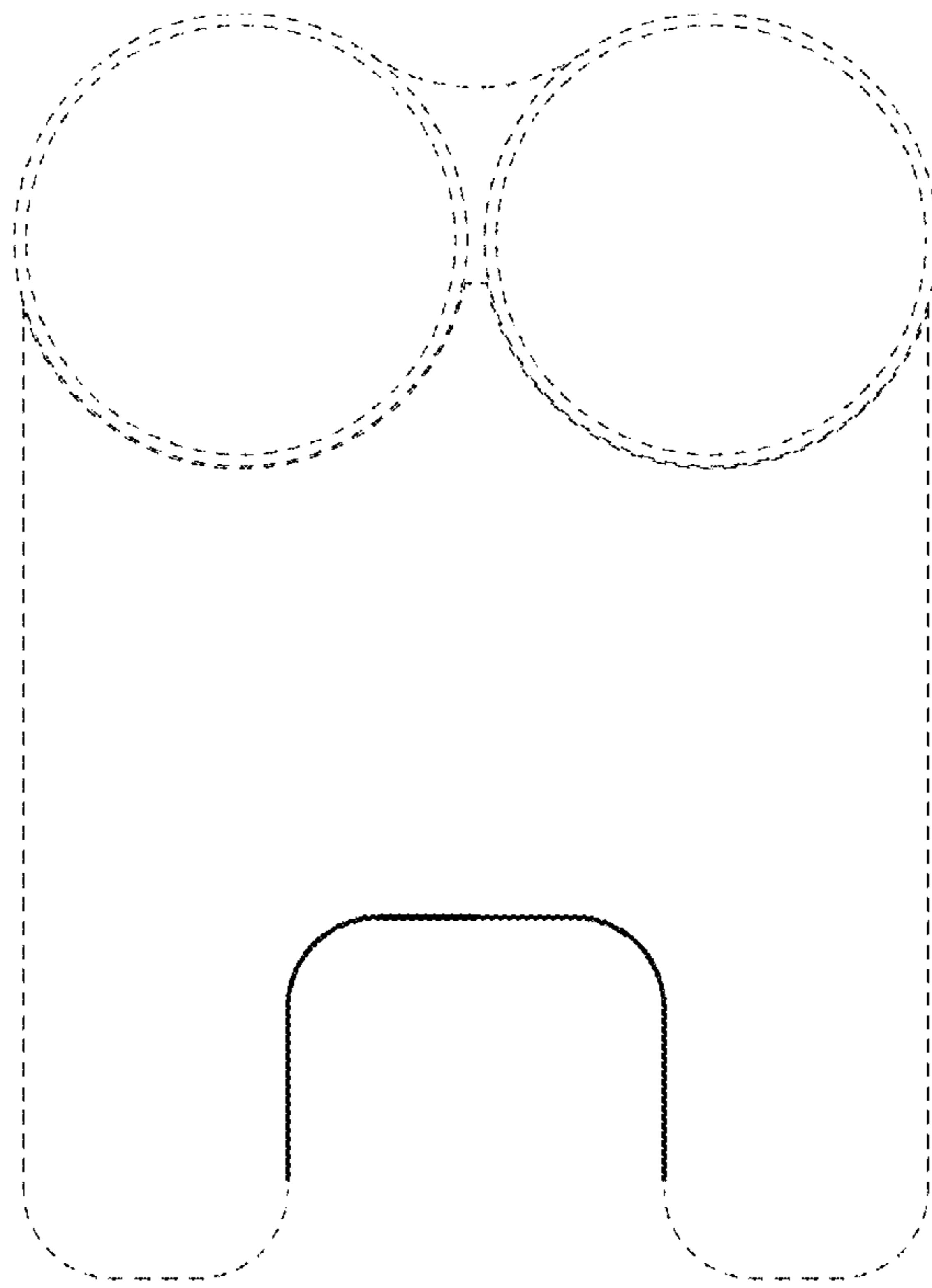


FIG. 11

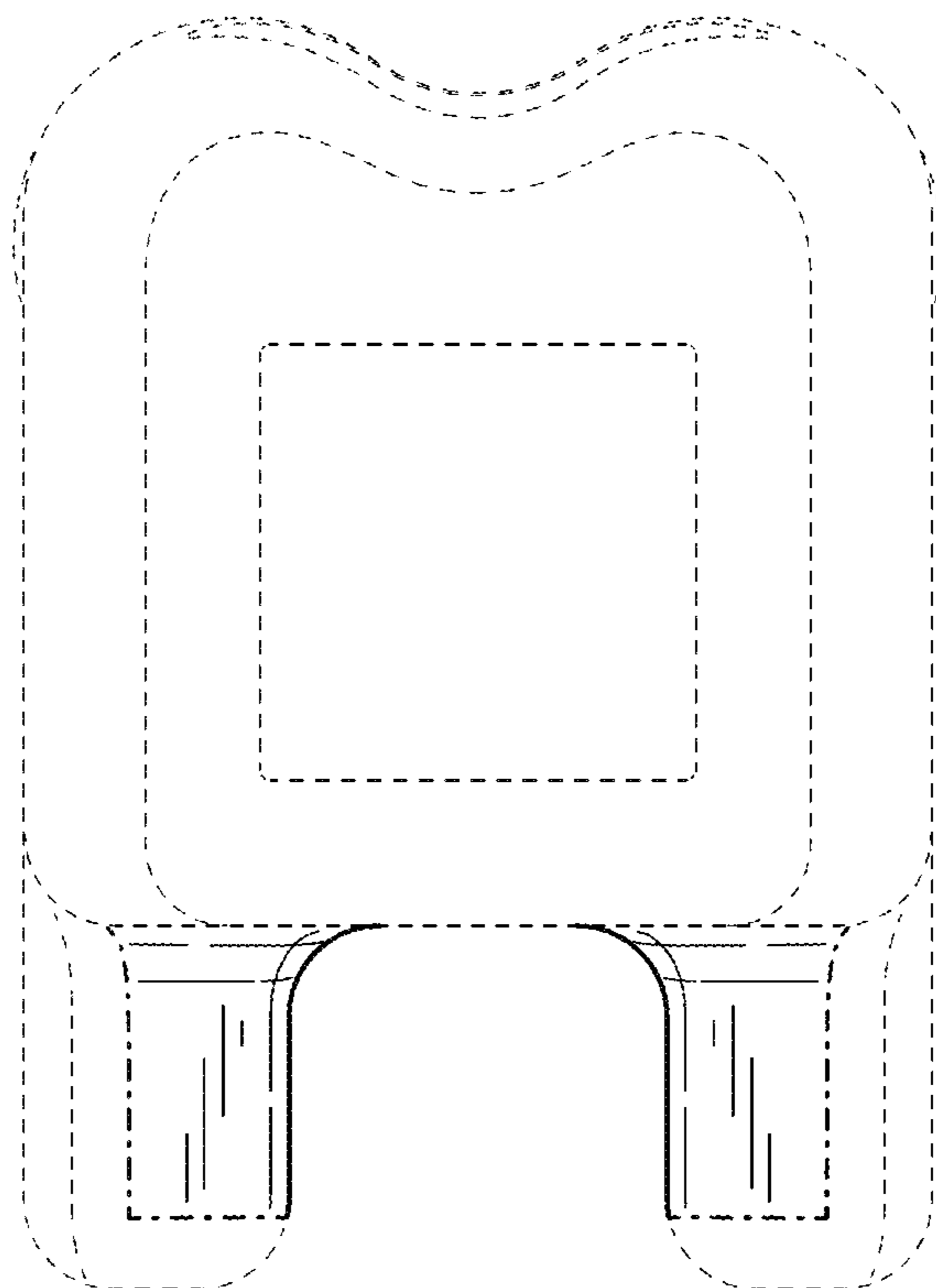


FIG. 12

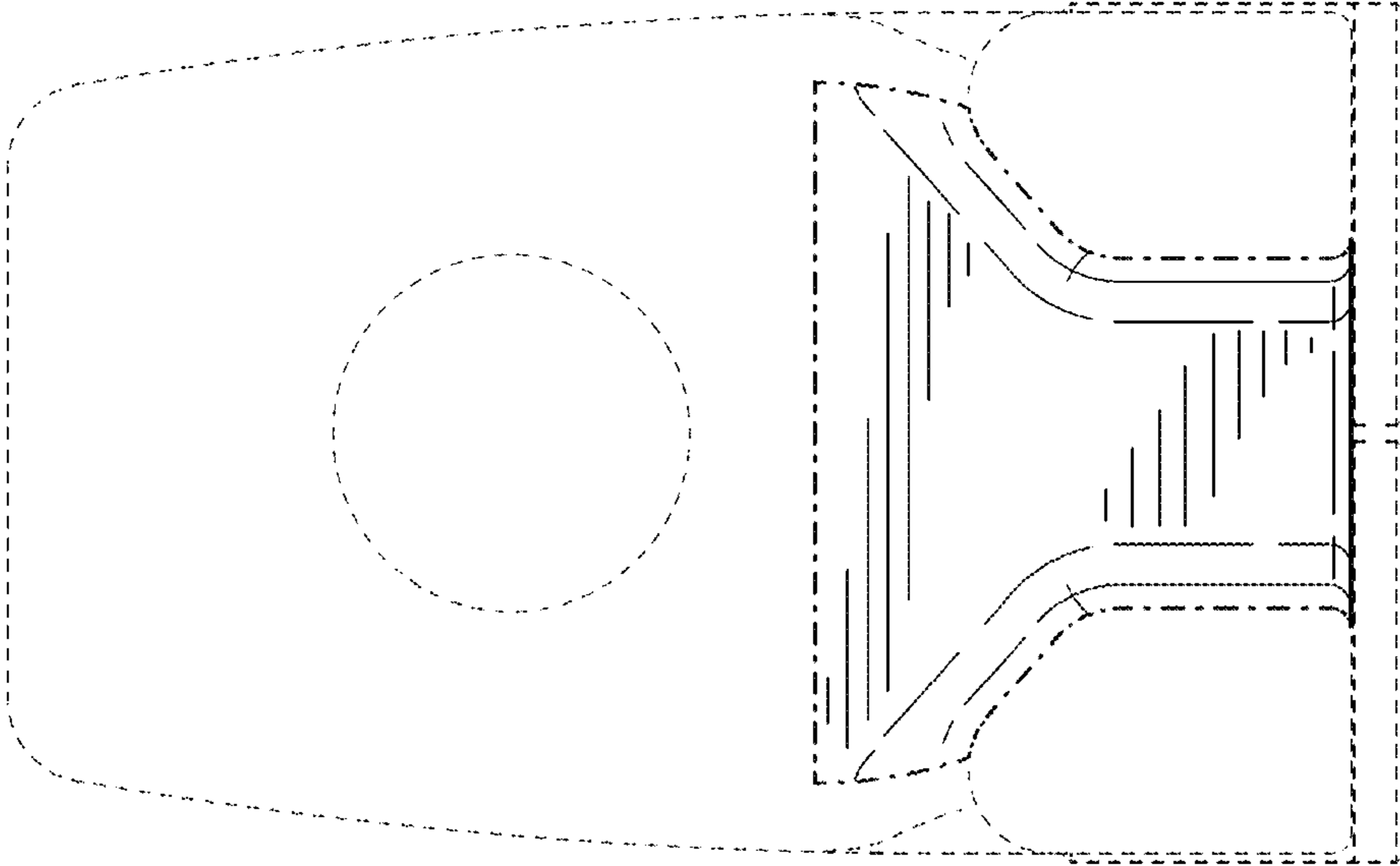


FIG. 13

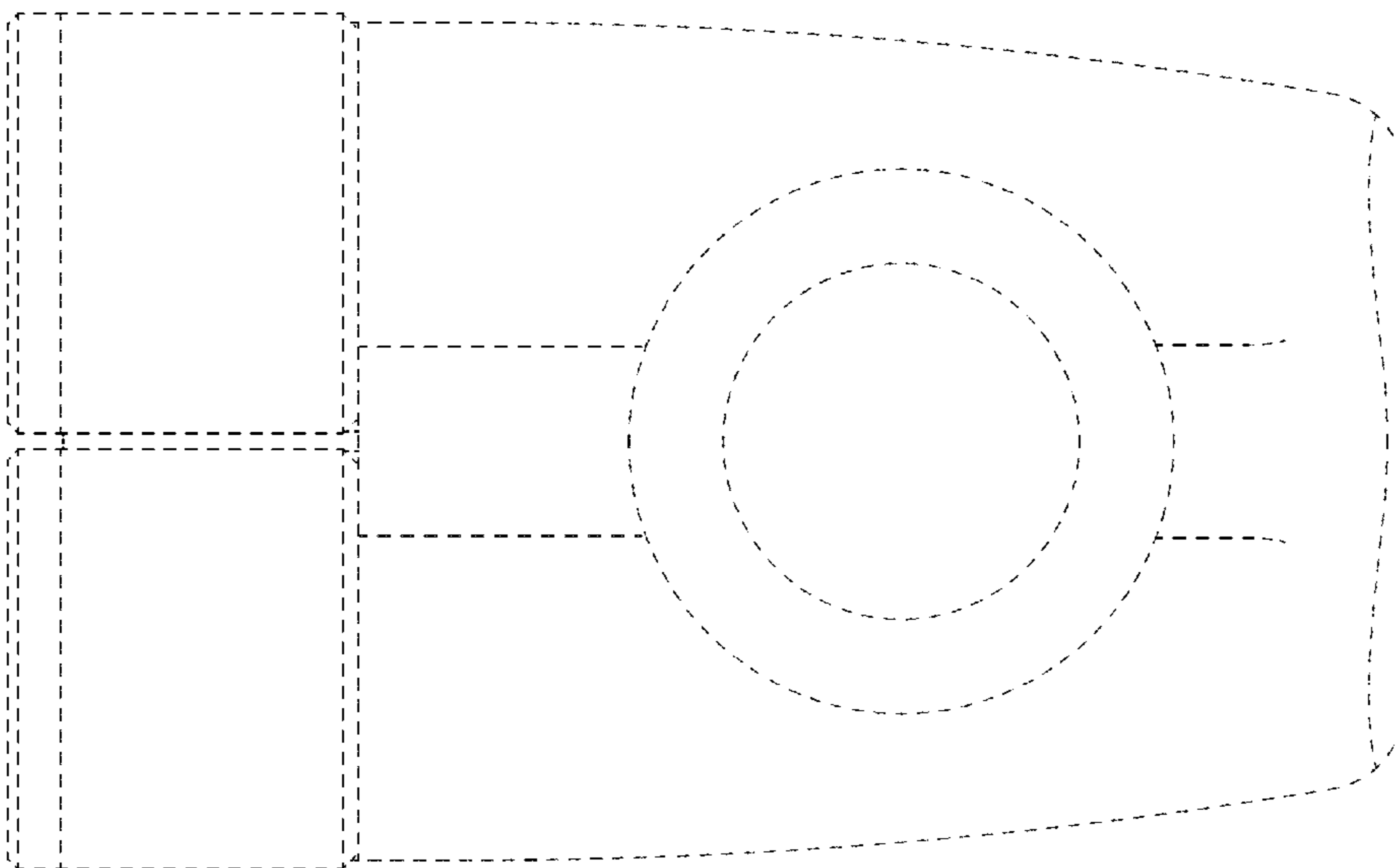


FIG. 14

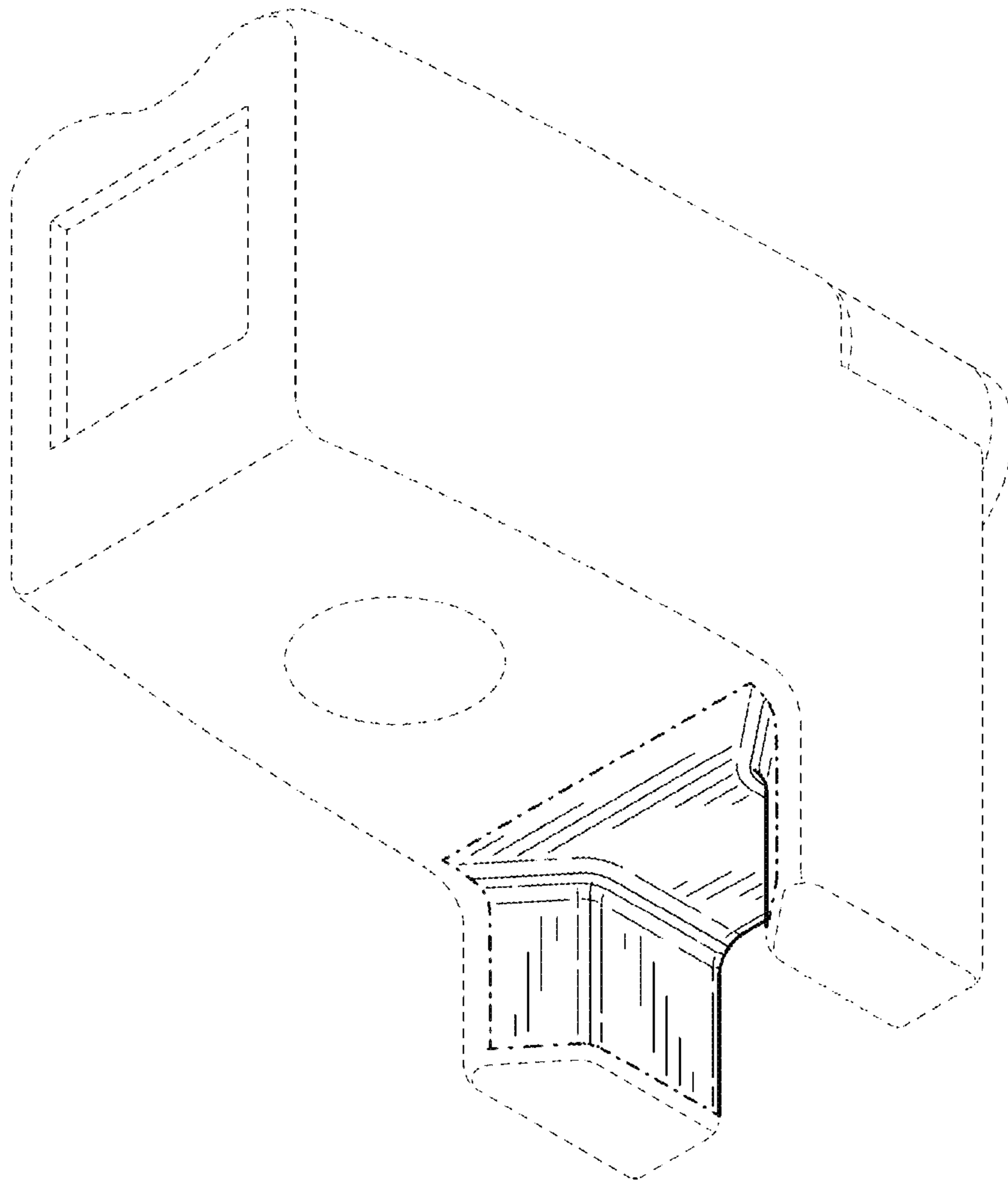


FIG. 15

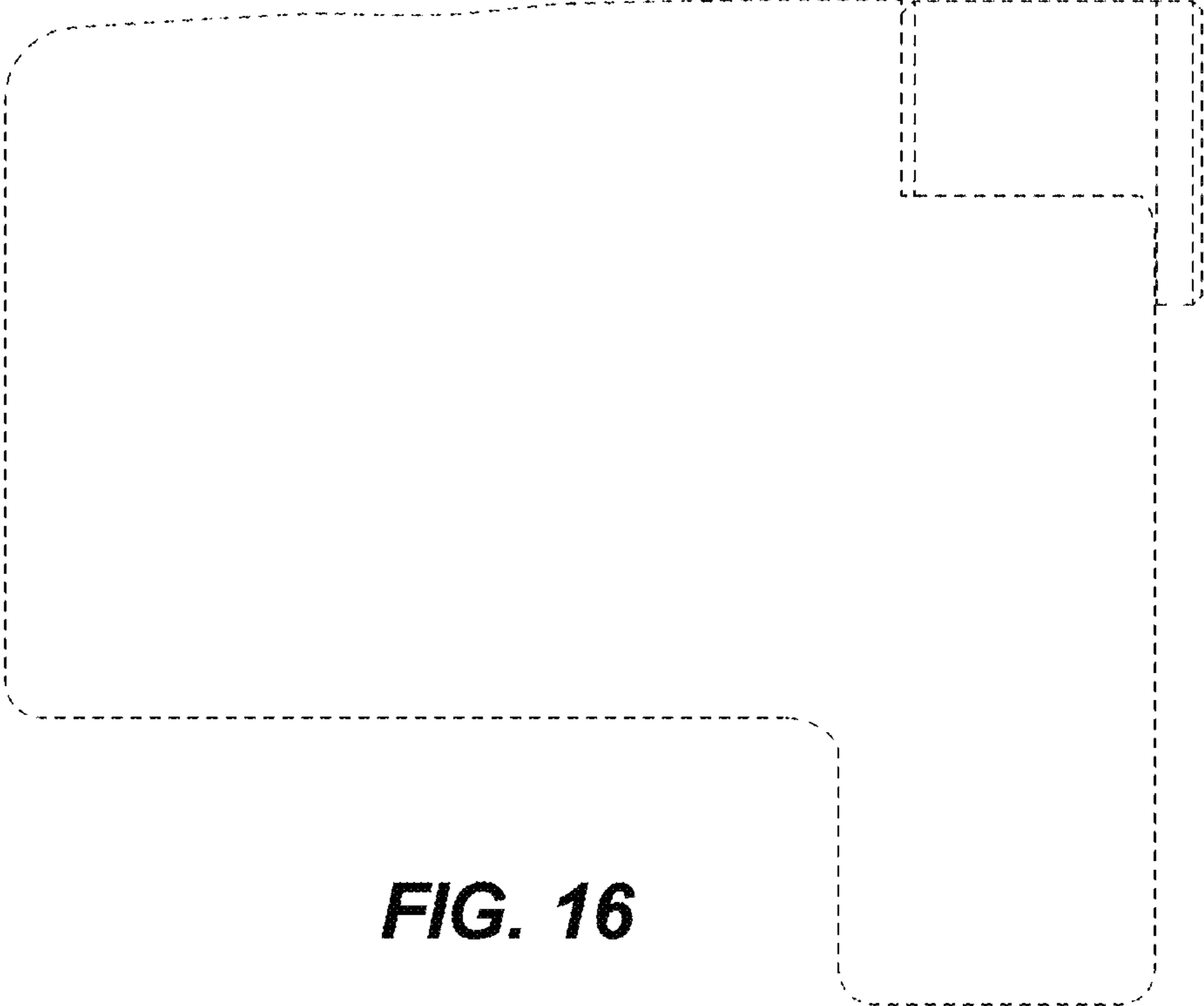


FIG. 16

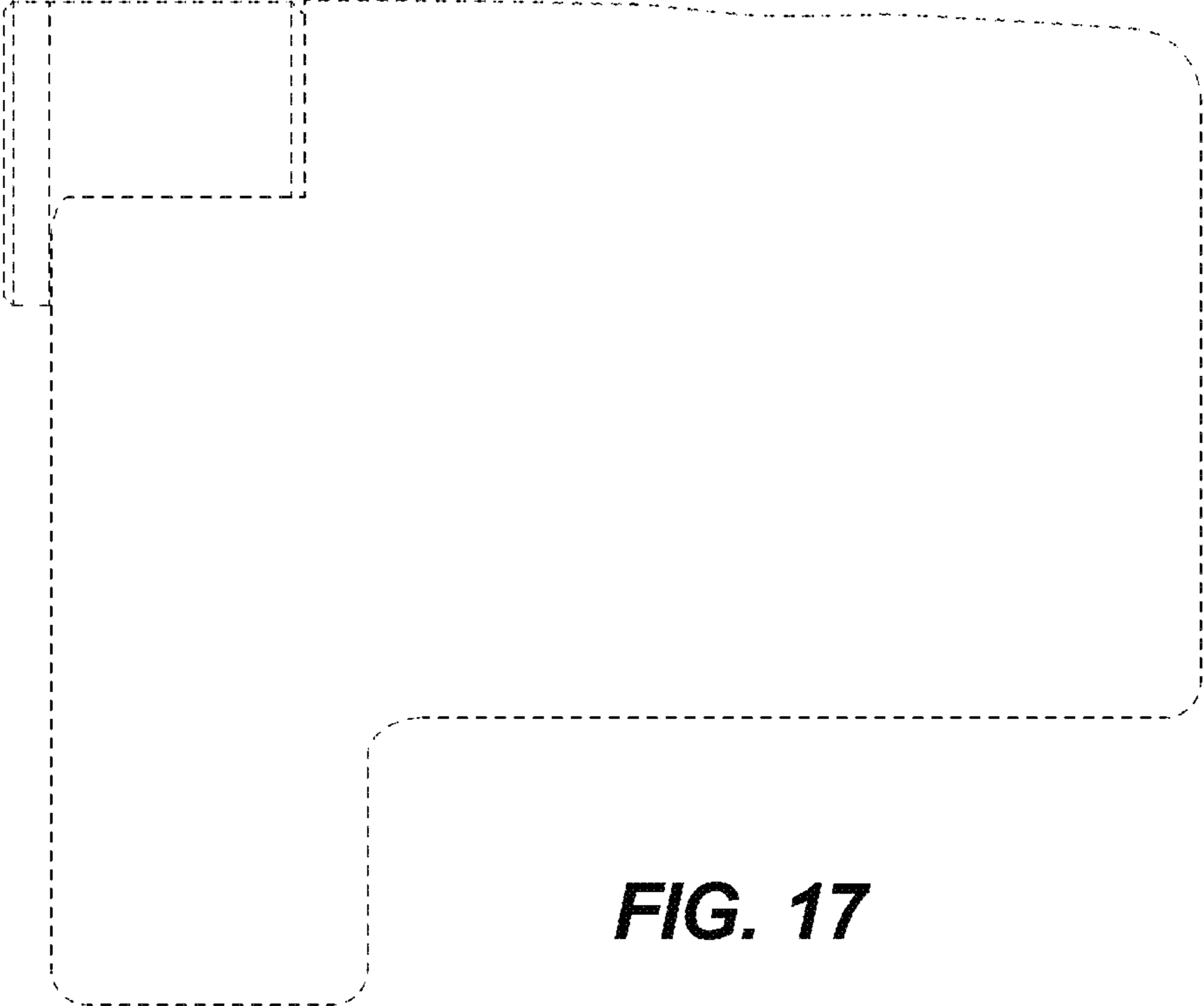


FIG. 17

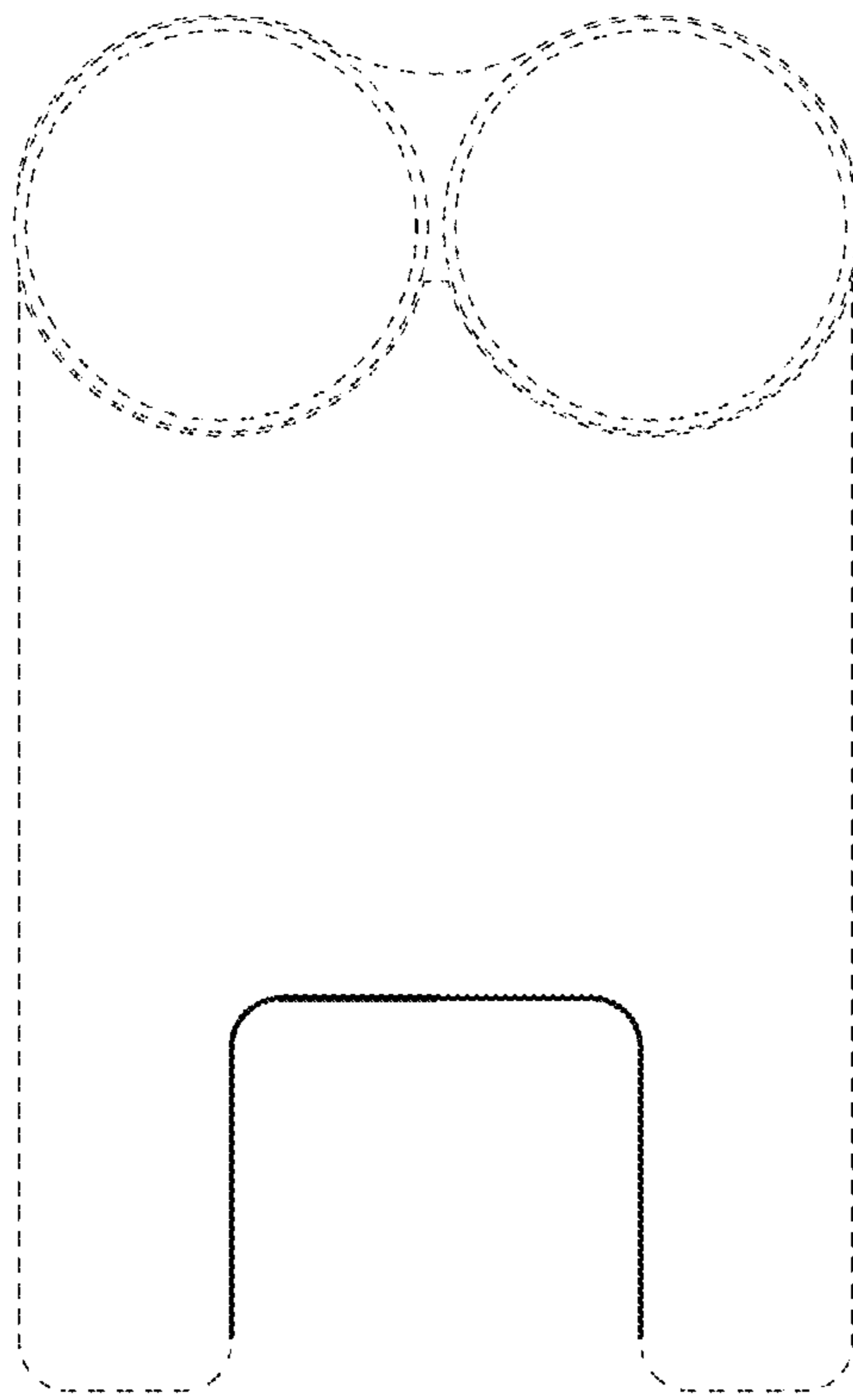


FIG. 18

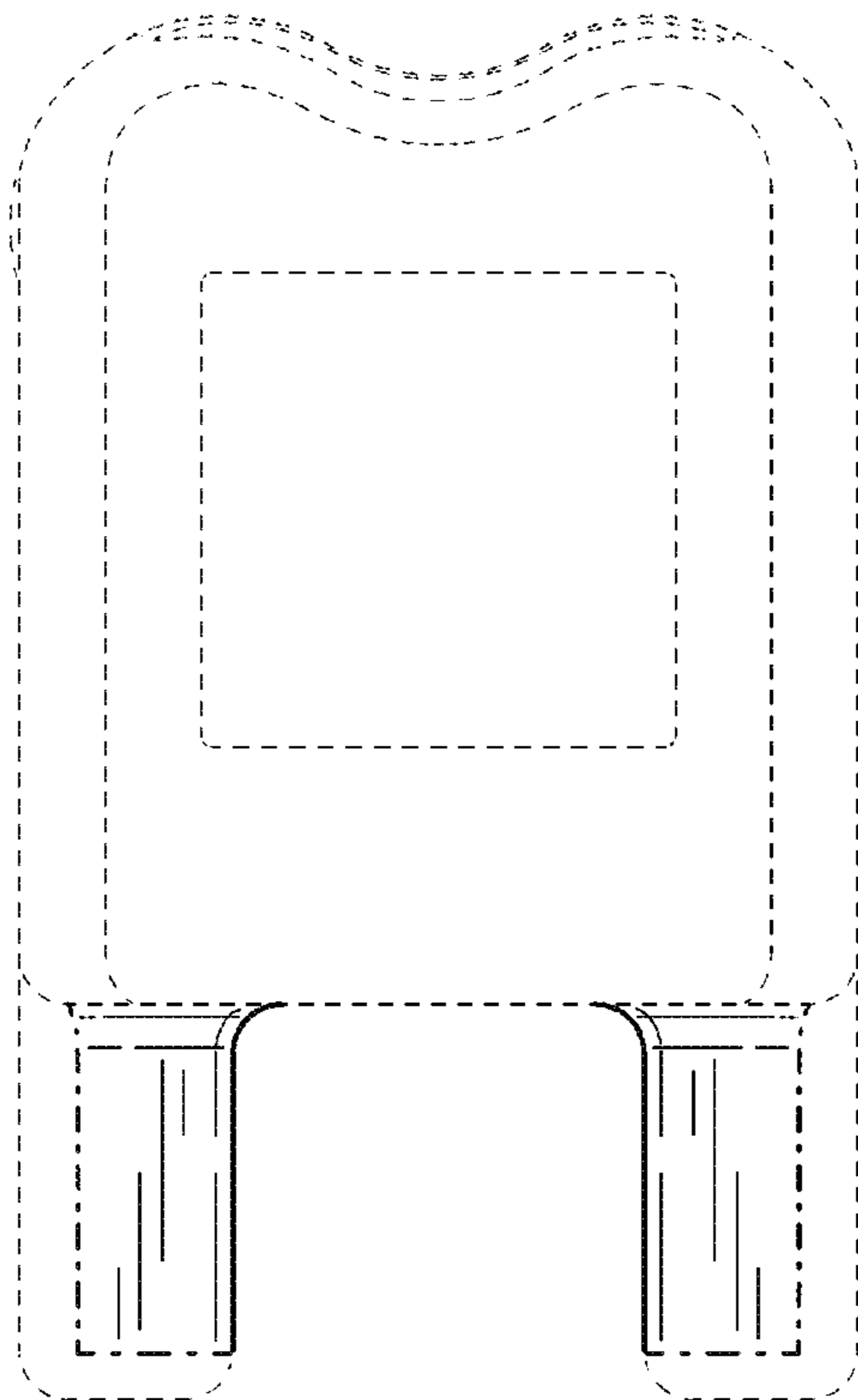


FIG. 19

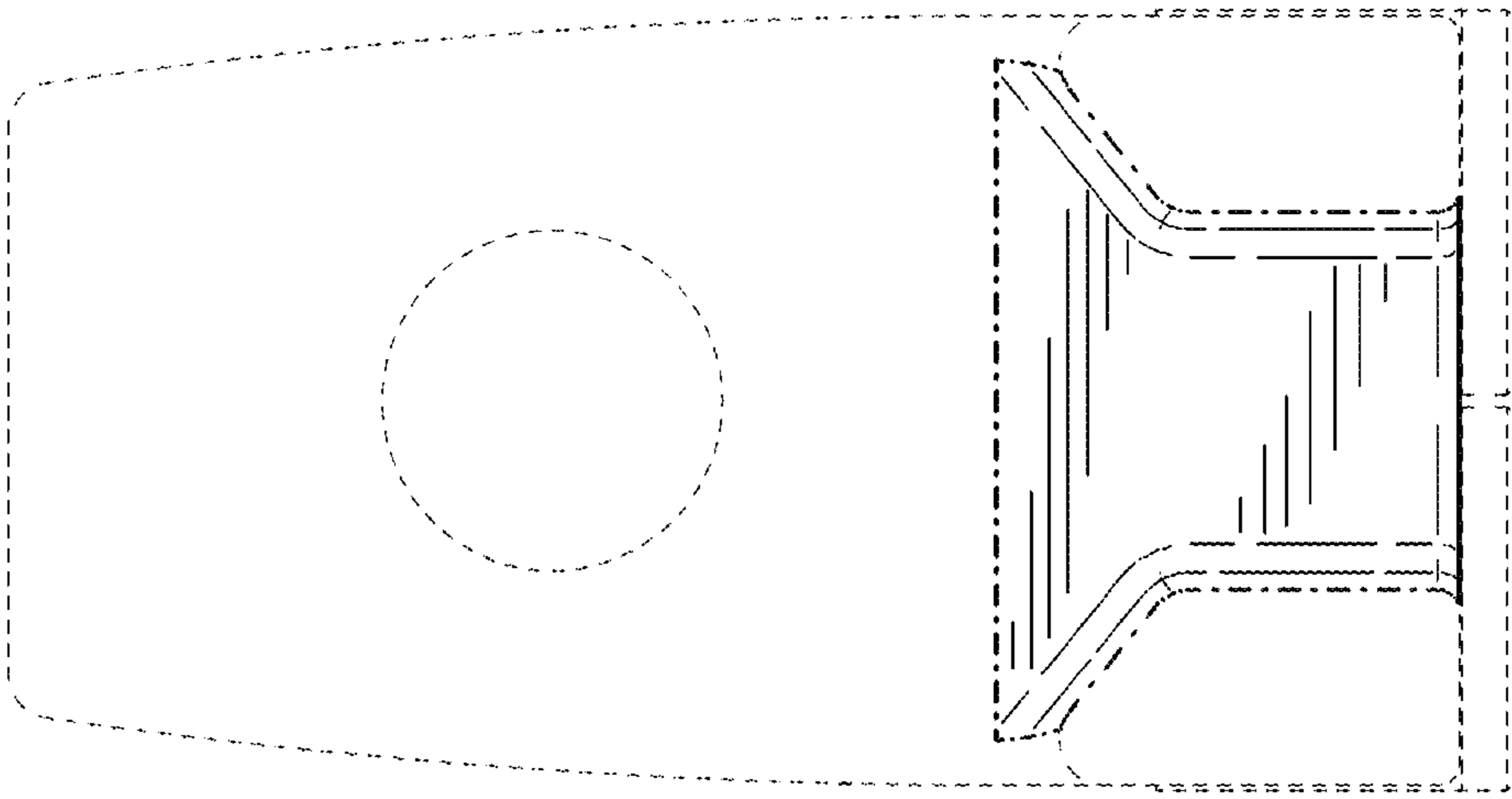


FIG. 21

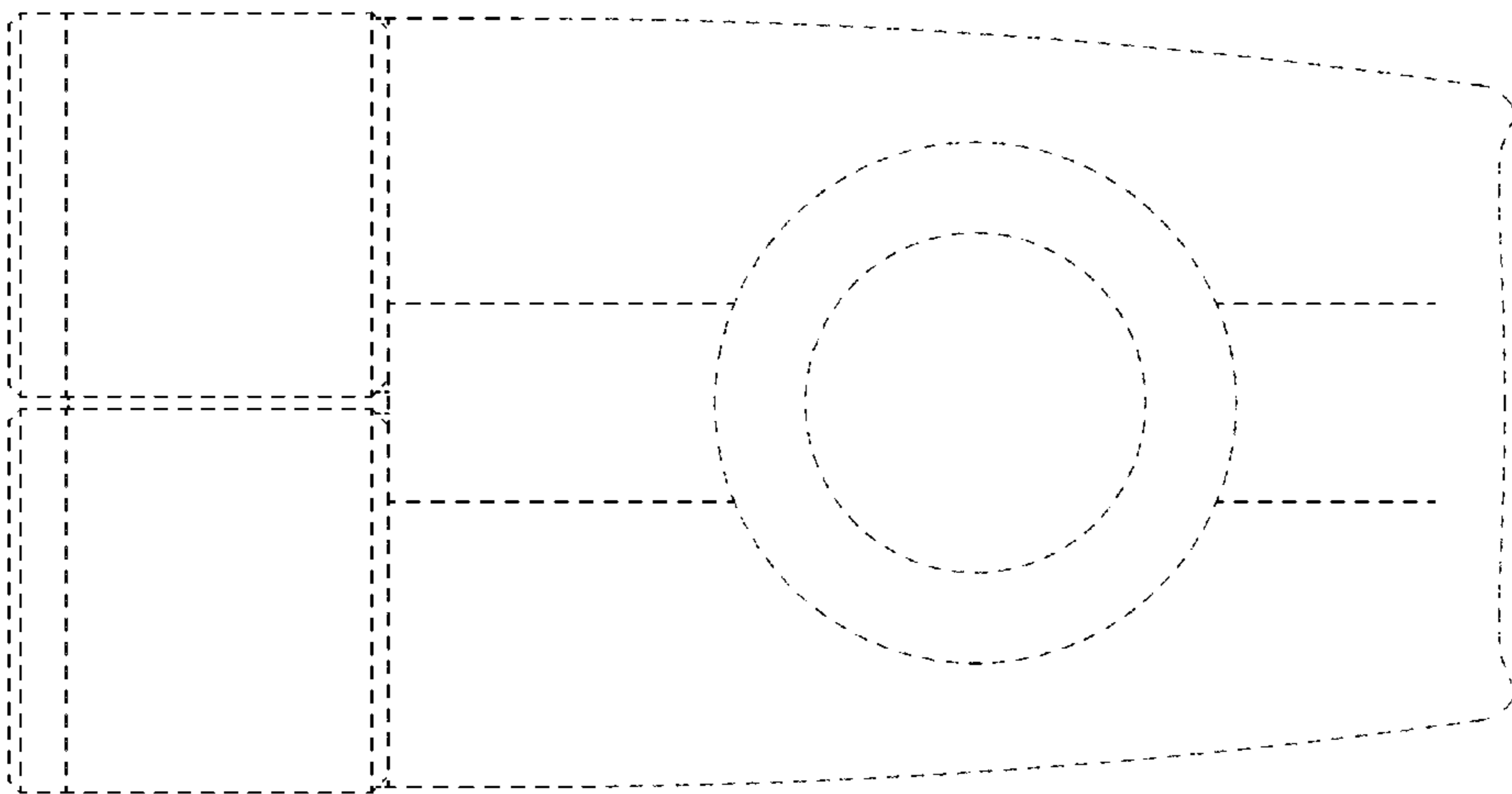


FIG. 20