



US00D909435S

(12) **United States Design Patent** (10) **Patent No.:** **US D909,435 S**  
**Filho et al.** (45) **Date of Patent:** **\*\* Feb. 2, 2021**

- (54) **REFRIGERATOR**
- (71) Applicant: **Electrolux Home Products, Inc.**,  
Charlotte, NC (US)
- (72) Inventors: **Luis Fernando Zeni Filho**, Curitiba (BR); **Gabriel Lied**, Curitiba (BR); **Charles David Baker**, Charlotte, NC (US); **Brent Aaron Curtis**, Charlotte, NC (US); **Benjamin Shrader**, Charlotte, NC (US); **Josh Hanson**, Charlotte, NC (US); **Cristhian Camacho**, Charlotte, NC (US); **Swaminathan Iyer**, Galaxis (SG); **Ola Lantz**, Galaxis (SG); **Eunice Cheng**, Galaxis (SG)
- (73) Assignee: **Electrolux Home Products, Inc.**,  
Charlotte, NC (US)
- (\*\*) Term: **15 Years**
- (21) Appl. No.: **29/661,621**
- (22) Filed: **Aug. 29, 2018**
- (30) **Foreign Application Priority Data**

Mar. 1, 2018	(BR)	.....	30	2018	000817
Mar. 1, 2018	(BR)	.....	30	2018	000819
Mar. 1, 2018	(BR)	.....	30	2018	000820

- (51) **LOC (13) Cl.** ..... **15-07**
- (52) **U.S. Cl.**  
USPC ..... **D15/85**
- (58) **Field of Classification Search**  
USPC ..... D15/79-91

(Continued)

(56) **References Cited**

**U.S. PATENT DOCUMENTS**

D190,453 S	5/1961	Munz et al.
D299,145 S	12/1988	Kuwabara et al.
D540,832 S	4/2007	Wang et al.
D542,812 S	5/2007	Mori
D578,555 S	10/2008	Yeo et al.
D594,886 S	6/2009	Wang et al.
D601,596 S	10/2009	Yoon et al.
D613,778 S	4/2010	Kristiansen et al.

- D614,209 S 4/2010 Kristiansen et al.  
D615,109 S 5/2010 Yang et al.  
(Continued)

**FOREIGN PATENT DOCUMENTS**

- AU 343156 S 6/2012  
AU 343588 S 7/2012  
(Continued)

**OTHER PUBLICATIONS**

“Samsung French Door refrigerator with integrated Soda Stream module”; Appliancist: Home Appliance News; retrieved Mar. 11, 2019; published Apr. 21, 2014; URL: <<http://appliancist.com/cooling/refrigerators/samsung-french-door-with-soda-stream-refrigerator-rf24hsesbs.html>>.

(Continued)

*Primary Examiner* — Khawaja Anwar  
(74) *Attorney, Agent, or Firm* — Banner & Witcoff, Ltd.

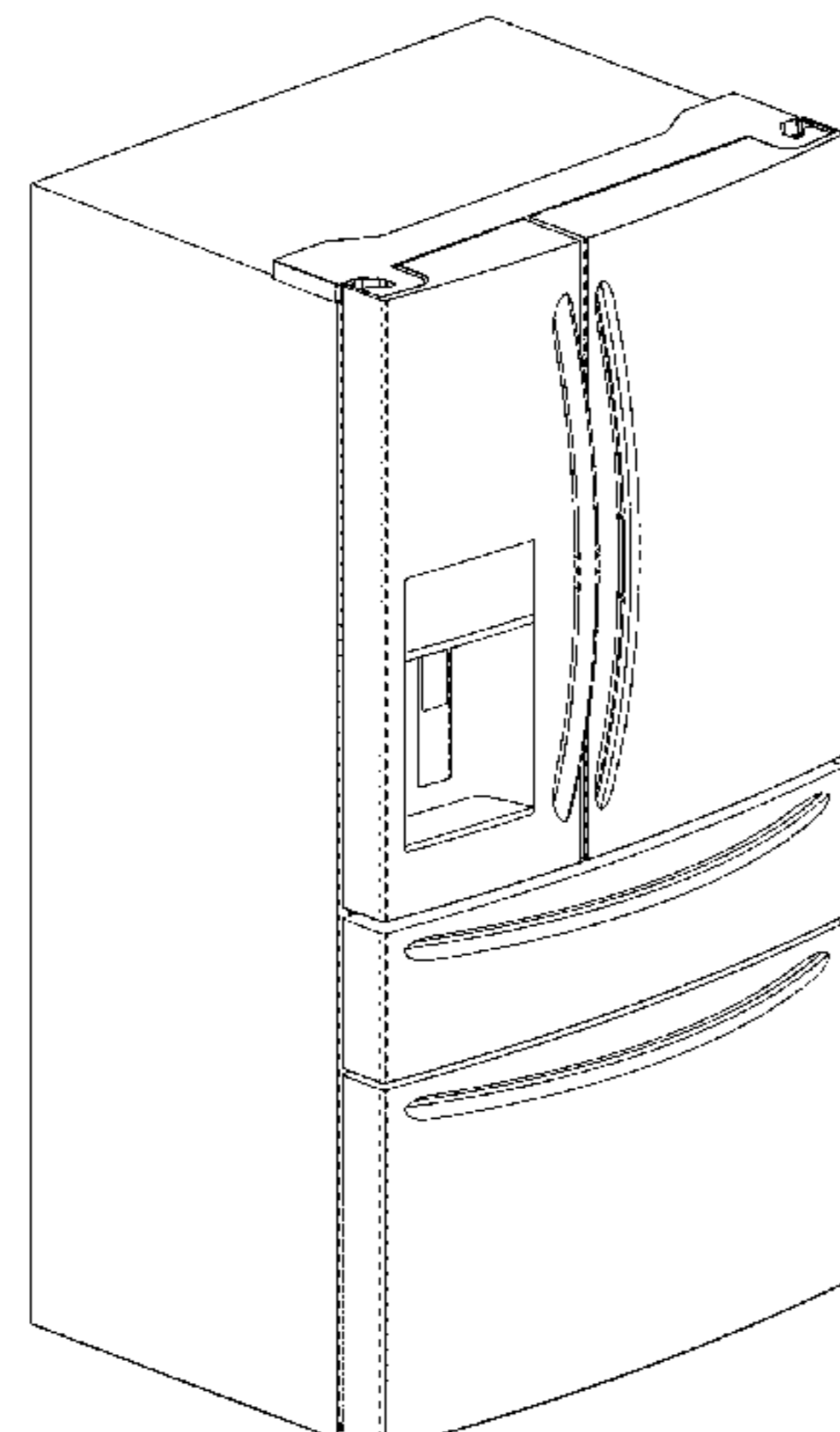
(57) **CLAIM**

The ornamental design for a refrigerator, as shown and described.

**DESCRIPTION**

FIG. 1 is a front perspective view of a refrigerator showing our new design;  
FIG. 2 is a front view thereof;  
FIG. 3 is a left side view thereof;  
FIG. 4 is a right side view thereof;  
FIG. 5 is a top view thereof;  
FIG. 6 is a front perspective view of a second embodiment of a refrigerator;  
FIG. 7 is a front view thereof;  
FIG. 8 is a left side view thereof;  
FIG. 9 is a right side view thereof;  
FIG. 10 is a top view thereof;  
FIG. 11 is a front perspective view of a third embodiment of a refrigerator;  
FIG. 12 is a front view thereof;  
FIG. 13 is a left side view thereof;  
FIG. 14 is a right side view thereof; and,  
FIG. 15 is a top view thereof.

**1 Claim, 15 Drawing Sheets**



# US D909,435 S

(58) **Field of Classification Search**  
 CPC .. F25D 11/00; F25D 17/065; F25D 2325/022;  
 F25D 23/069; F25D 25/025; F25D 11/02;  
 F25D 17/062; F25D 21/12; F25D 21/125;  
 F25D 21/14; F25D 2317/061; F25D  
 2317/067; F25D 2323/021; F25D  
 2323/024; F25D 23/028; F25D 23/04;  
 F25D 23/066; F25D 23/085; F25D  
 23/087; F25D 23/126; F25D 2400/02;  
 F25D 2400/06; F25D 2400/361; F25D  
 2400/40; F25D 25/005; F25D 25/02;  
 F25D 2600/02; F25D 2700/02; F25D  
 2700/12; F25D 2700/121; F25D 2700/14;  
 F25D 29/00

See application file for complete search history.

(56) **References Cited**  
 U.S. PATENT DOCUMENTS

D615,565 S	5/2010	Kristiansen et al.
D616,000 S	5/2010	Yang et al.
D616,001 S	5/2010	Yang et al.
D625,342 S	10/2010	Seo et al.
D629,021 S	12/2010	Cho et al.
D629,022 S	12/2010	Cho et al.
D631,491 S	1/2011	Kristiansen et al.
D632,708 S	2/2011	Seo et al.
D633,114 S	2/2011	Seo et al.
D641,384 S	7/2011	Yang et al.
D647,927 S	11/2011	Lee et al.
D655,321 S	3/2012	Lee et al.
D657,804 S	4/2012	Lee et al.
D657,805 S	4/2012	Cho et al.
D658,215 S	4/2012	Seo et al.
D660,325 S	5/2012	Yang et al.
D666,635 S	9/2012	Jidam et al.
D668,696 S	10/2012	Seo et al.
D671,151 S	11/2012	Seo et al.
D671,572 S	11/2012	Seo et al.
D671,964 S	12/2012	Hong et al.
D672,375 S	12/2012	Lee et al.
D673,191 S	12/2012	Jidam et al.
D674,414 S	1/2013	Lee et al.
D674,415 S	1/2013	Lee et al.
D674,417 S	1/2013	Seo et al.
D674,418 S	1/2013	Seo et al.
D674,823 S	1/2013	Jidam et al.
D676,467 S	2/2013	Kim
D678,922 S	3/2013	Lee et al.
D680,138 S	4/2013	Seo et al.
D681,695 S	5/2013	Lee et al.
D684,609 S	6/2013	Seo et al.
D686,644 S	7/2013	Lee et al.
D690,329 S	9/2013	Seo et al.
D692,929 S	11/2013	Seo et al.
D698,374 S	1/2014	Jeon et al.
D702,739 S	4/2014	Kim
D703,244 S	4/2014	Seo et al.
D703,245 S	4/2014	Seo et al.
D710,402 S	8/2014	Jeon et al.
D711,435 S	8/2014	Boo et al.
D711,934 S	8/2014	Boo et al.
D711,935 S	8/2014	Lee et al.
D711,942 S	8/2014	Jeon et al.
D713,862 S	9/2014	Lee et al.
D714,360 S	9/2014	Seo et al.
D714,363 S	9/2014	Jeon et al.
D714,364 S	9/2014	Jeon et al.
D714,365 S	9/2014	Jeon et al.
D714,367 S	9/2014	Jeon et al.
D714,839 S	10/2014	Jeon et al.
D714,843 S	10/2014	Jeon et al.
D714,844 S	10/2014	Jeon et al.
D724,113 S	3/2015	Seo et al.
D724,114 S	3/2015	Jeon et al.

D726,785 S	4/2015	Hwang et al.	
D726,786 S	4/2015	Hwang et al.	
D727,375 S	4/2015	You et al.	
D728,644 S	5/2015	Hwang et al.	
D729,284 S	5/2015	Kwak et al.	
D729,285 S	5/2015	Seo et al.	
D729,286 S	5/2015	Kwak et al.	
D730,413 S	5/2015	Jeon et al.	
D730,414 S	5/2015	Hwang et al.	
D734,373 S	7/2015	Hwang et al.	
D735,782 S	8/2015	Hwang et al.	
D739,447 S	9/2015	Seo et al.	
D740,335 S	10/2015	Hwang et al.	
D742,431 S	11/2015	Seo et al.	
D742,432 S	11/2015	Jeon et al.	
D742,433 S	11/2015	Jeon et al.	
D742,434 S	11/2015	Yeo et al.	
D742,437 S	11/2015	Choi et al.	
D742,438 S	11/2015	Jeon et al.	
D742,941 S	11/2015	Choi et al.	
D747,368 S	1/2016	Kim et al.	
D760,819 S	7/2016	Lee et al.	
D761,333 S	7/2016	Lee et al.	
D761,334 S	7/2016	Lee et al.	
D768,735 S	10/2016	Choi et al.	
D768,736 S	10/2016	Choi et al.	
D771,724 S	* 11/2016	Jeon .....	D15/86
D773,538 S	* 12/2016	Jeon .....	D15/86
D774,569 S	12/2016	Seo et al.	
D775,674 S	1/2017	Seo et al.	
D786,317 S	5/2017	Kim et al.	
D786,318 S	5/2017	Kim et al.	
D786,947 S	5/2017	Kim et al.	
D786,948 S	5/2017	Lee et al.	
D789,995 S	6/2017	Kim et al.	
D791,199 S	7/2017	Kim et al.	
D794,685 S	8/2017	Wang et al.	
D798,342 S	* 9/2017	Kim .....	D15/86
D798,343 S	9/2017	Kwon et al.	
D798,344 S	9/2017	Kim et al.	
D803,279 S	11/2017	Cho et al.	
D806,763 S	1/2018	Cho et al.	
D807,410 S	1/2018	Cho et al.	
D810,154 S	2/2018	Lee et al.	
D814,533 S	4/2018	Kim et al.	
D825,623 S	8/2018	Jeon et al.	
D825,624 S	8/2018	Kwon et al.	
D826,295 S	8/2018	Lee	
D826,997 S	* 8/2018	Lee .....	D15/91
D826,998 S	* 8/2018	Lee .....	D15/91
D827,683 S	* 9/2018	Jeon .....	D15/85
D829,246 S	9/2018	Ammerman et al.	
D832,312 S	10/2018	Kim et al.	
D835,688 S	12/2018	Lee et al.	
D836,683 S	* 12/2018	Jeon .....	D15/86
D837,840 S	* 1/2019	Choi .....	D15/81
D837,841 S	* 1/2019	Choi .....	D15/81
D838,297 S	1/2019	Choi et al.	
D838,299 S	1/2019	Lee et al.	
D839,325 S	1/2019	Lee et al.	
D840,444 S	2/2019	Kim et al.	
D841,058 S	2/2019	Lee et al.	
D841,060 S	* 2/2019	Jeon .....	D15/91
D841,700 S	2/2019	Lee et al.	
D844,679 S	4/2019	Kim et al.	
D850,498 S	* 6/2019	Kim .....	D15/86
D873,310 S	* 1/2020	Huang .....	D15/86
D880,544 S	4/2020	Kim et al.	
D888,110 S	* 6/2020	Lee .....	D15/85
D892,871 S	* 8/2020	Lee .....	D15/79

FOREIGN PATENT DOCUMENTS

AU	201711058 S	3/2017
AU	201711060 S	3/2017
AU	201711066 S	3/2017
BR	302017000561-6	11/2017
BR	302017000563-2	11/2017
BR	302017000565-9	11/2017

(56)

## References Cited

## FOREIGN PATENT DOCUMENTS

CN	301380420 S	11/2010
CN	301410642 S	12/2010
CN	301426397 S	12/2010
CN	301452137 S	1/2011
CN	303114098	2/2015
CN	303127471 S	3/2015
CN	303143985 S	3/2015
CN	303143996	3/2015
CN	303207947	5/2015
CN	303207964	5/2015
CN	303207967 S	5/2015
CN	303339295 S	8/2015
CN	303348485	8/2015
CN	303348490	8/2015
CN	303387673 S	9/2015
CN	303467175 S	11/2015
CN	303467177	11/2015
CN	303467200	11/2015
CN	303521116 S	12/2015
CN	303551566	1/2016
CN	303551596	1/2016
CN	303605846 S	3/2016
CN	303623204	3/2016
CN	303628527 S	3/2016
CN	303702178 S	6/2016
CN	303739559 S	7/2016
CN	303997030	1/2017
CN	304073599 S	3/2017
CN	304139394 S	5/2017
CN	304228542 S	8/2017
CN	304241188	8/2017
CN	304270897	9/2017
CN	304386874	12/2017
CN	304514671	2/2018
CN	304572387	4/2018
EM	001292940-0005	9/2011
JP	1597515 S	2/2018
TW	D114183 S	12/2006
TW	D173078 S	1/2016
TW	D183628 S	6/2017
WO	D089484-001	5/2016
WO	DM090679 D	5/2016
WO	DM093519 D	11/2016
WO	D094553	2/2017
WO	DM095787 D	4/2017
WO	D091378-001	6/2017
WO	D094858-001	8/2017

## OTHER PUBLICATIONS

“French Door refrigerator from Samsung”; Appliancist: Home Appliance News; retrieved Mar. 11, 2019; published Jul. 8, 2010; URL: <<http://appliancist.com/cooling/refrigerators/french-door-refrigerator-samsung-rf4287.html>>.

“LG Studio Series refrigerator with double drawer freezer”; Appliancist: Home Appliance News; retrieved Mar. 11, 2019; published Mar. 1, 2011; URL: <<http://appliancist.com/cooling/refrigerators/lg-studio-series-french-door-refrigerator-lsmx214st.html>>.

“Maytag French Door refrigerator, the Ice2O Easy Access”; Appliancist: Home Appliance News; retrieved Mar. 11, 2019; published Aug. 23, 2010; URL: <<http://appliancist.com/cooling/refrigerators/maytag-french-door-refrigerator-ice2o-easy-access.html>>.

“LG Door-in-Door refrigerators”; Appliancist: Home Appliance News; retrieved Apr. 3, 2019; published Apr. 4, 2014; URL: <<http://appliancist.com/cooling/refrigerators/lg-door-in-door-refrigerators.html>>.

“Kuppersbusch American Style refrigerator”; Appliancist: Home Appliance News; retrieved Apr. 3, 2019; published Oct. 24, 2013; URL: <<http://appliancist.com/cooling/refrigerators/kuppersbusch-american-style-refrigerator-ke-9700-0-2tz.html>>.

“LMXS30776D Refrigerator”, LG, retrieved Jul. 31, 2020, disclosure date unknown but prior to Aug. 17, 2018, URL: <<https://www.lg.com/us/refrigerators/lg-LMXS30776D-french-4-door-refrigerator#>>.

“LMNS14420V Refrigerator”, LG, retrieved Jul. 31, 2020, disclosure date unknown but prior to Aug. 17, 2018, URL: <<https://www.lg.com/us/refrigerators/lg-LMNS14420V-french-4-door-refrigerator>>.

“LMXS28626D Refrigerator”, LG, retrieved Jul. 31, 2020, disclosure date unknown but prior to Aug. 17, 2018, URL: <<https://www.lg.com/us/refrigerators/lg-LMXS28626D-french-4-door-refrigerator>>.

Picture of French Door Refrigerator by Maytag, 1 color sheet of photograph, disclosure date unknown but prior to Aug. 17, 2018.

“LNXS30996D Refrigerator”, LG, retrieved Jul. 14, 2020, disclosure date unknown but prior to Aug. 17, 2018, URL: <<https://www.lg.com/us/refrigerators/lg-LNXS30996D-door-in-door>>.

“LUPXC2386N Refrigerator”, LG, retrieved Jul. 14, 2020, disclosure date unknown but prior to Aug. 17, 2018, URL: <<https://www.lg.com/us/refrigerators/lg-LUPXC2386N-instaview-counter-depth-refrigerator-lgsignature>>.

“LPXS30866D Refrigerator”, LG, retrieved Jul. 14, 2020, disclosure date unknown but prior to Aug. 17, 2018, URL: <<https://www.lg.com/us/refrigerators/lg-LPXS30866D-french-4-door-refrigerator>>.

“LNXC23766D Refrigerator”, LG, retrieved Jul. 14, 2020, disclosure date unknown but prior to Aug. 17, 2018, URL: <<https://www.lg.com/us/refrigerators/lg-LNXC23766D-door-in-door>>.

“28 Cu. Ft. Food Showcase 4-Door Flex Refrigerator With Flexzone in Black Stainless Steel”, Samsung, retrieved Jul. 14, 2020, disclosure date unknown but prior to Aug. 17, 2018, URL: <<https://www.samsung.com/us/home-appliances/refrigerators/4-door-flex/36-wide-x-72-high-28-cu-ft-capacity-4-door-flex-food-showcase-refrigerator-with-flexzone-black-stainless-steel-rf28k9380sg-aa/>>.

Picture of French Door Refrigerator by LG, 1 color sheet of photograph, disclosure date unknown but prior to Aug. 17, 2018.

Picture of French Door Refrigerator 2 by LG, 1 color sheet of photograph, disclosure date unknown but prior to Aug. 17, 2018.

Picture of French Door Refrigerator 3 by LG, 1 color sheet of photograph, disclosure date unknown but prior to Aug. 17, 2018.

Picture of French Door Refrigerator 4 by LG, 1 color sheet of photograph, disclosure date unknown but prior to Aug. 17, 2018.

Picture of French Door Refrigerator 5 by LG, 1 color sheet of photograph, disclosure date unknown but prior to Aug. 17, 2018.

“WRX735SDHV Refrigerator”, Whirlpool, retrieved Jul. 31, 2020, disclosure date unknown but prior to Aug. 17, 2018, URL: <<https://www.whirlpool.com/kitchen/refrigeration/refrigerators/french-door/p.36-inch-wide-french-door-refrigerator-25-cu.-ft.wrx735sdhv.html>>.

“WRX986SIHV Refrigerator”, Whirlpool, retrieved Jul. 31, 2020, disclosure date unknown but prior to Aug. 17, 2018, URL: <<https://www.whirlpool.com/kitchen/kitchen-collections/fingerprint-resistant-black-stainless-steel/p.36-inch-wide-4-door-refrigerator-with-exterior-drawer-26-cu.-ft.wrx986sihv.html>>.

“WRV986FDEM Refrigerator”, Whirlpool, retrieved Jul. 31, 2020, disclosure date unknown but prior to Aug. 17, 2018, URL: <<https://www.whirlpool.com/kitchen/refrigeration/refrigerators/french-door/p.26-cu.-ft.-double-drawer-refrigerator-with-dual-icemakers.wrv986fdem.html>>.

“23 cu. ft. Counter Depth 4-Door French Door Freestanding Chef Collection Refrigerator in Matte Black Stainless Steel”, Samsung, retrieved Jul. 31, 2020, disclosure date unknown but prior to Aug. 17, 2018, URL: <<https://www.samsung.com/us/home-appliances/refrigerators/4-door-french-door/23-cu-ft-capacity-counter-depth-4-door-french-door-36-freestanding-chef-collection-refrigerator-rf23m8960mt-aa/>>.

“22 cu. ft. Family Hub™ Counter Depth 4-Door French Door Refrigerator in Black Stainless Steel”, Samsung, retrieved Jul. 31, 2020, disclosure date unknown but prior to Aug. 17, 2018, URL: <<https://www.samsung.com/us/home-appliances/refrigerators/4-door-french-door/22-cu-ft-capacity-counter-depth-4-door-french-door-refrigerator-with-family-hub--2-0-and-recessed-handles-rf23m8570sg-aa/>>.

(56)

**References Cited**

OTHER PUBLICATIONS

“25 cu. ft. 4-Door French Door Refrigerator in Stainless Steel”, Samsung, retrieved Jul. 31, 2020, disclosure date unknown but prior to Aug. 17, 2018, URL: <<https://www.samsung.com/us/home-appliances/refrigerators/4-door-french-door/28-cu-ft-4-door-french-door-refrigerator-in-fingerprint-resistant-stainless-steel-rf28r7201sr-aa/>>.

“23 cu. ft. Counter Depth 4-Door French Door Refrigerator with Polygon Handles in Black Stainless Steel”, Samsung, retrieved Jul. 31, 2020, disclosure date unknown but prior to Aug. 17, 2018, URL: <<https://www.samsung.com/us/home-appliances/refrigerators/4-door-french-door/23-cu-ft-capacity-counter-depth-4-door-french-door-refrigerator-with-polygon-handles-rf23m8090sg-aa/>>.

Picture of 4 Door French Door Refrigerator by Samsung, 1 color sheet of photograph, disclosure date unknown but prior to Aug. 17, 2018.

Picture of 4 Door French Door Refrigerator 2 by Samsung, 1 color sheet of photograph, disclosure date unknown but prior to Aug. 17, 2018.

Picture of 4 Door French Door Refrigerator 3 by Samsung, 1 color sheet of photograph, disclosure date unknown but prior to Aug. 17, 2018.

Picture of 4 Door French Door Refrigerator 4 by Samsung, 1 color sheet of photograph, disclosure date unknown but prior to Aug. 17, 2018.

Picture of 4 Door French Door Refrigerator 5 by Samsung, 1 color sheet of photograph, disclosure date unknown but prior to Aug. 17, 2018.

Picture of 4 Door French Door Refrigerator 6 by Samsung, 1 color sheet of photograph, disclosure date unknown but prior to Aug. 17, 2018.

Picture of 4 Door French Door Refrigerator 7 by Samsung, 1 color sheet of photograph, disclosure date unknown but prior to Aug. 17, 2018.

Picture of 4 Door French Door Refrigerator 8 by Samsung, 1 color sheet of photograph, disclosure date unknown but prior to Aug. 17, 2018.

\* cited by examiner

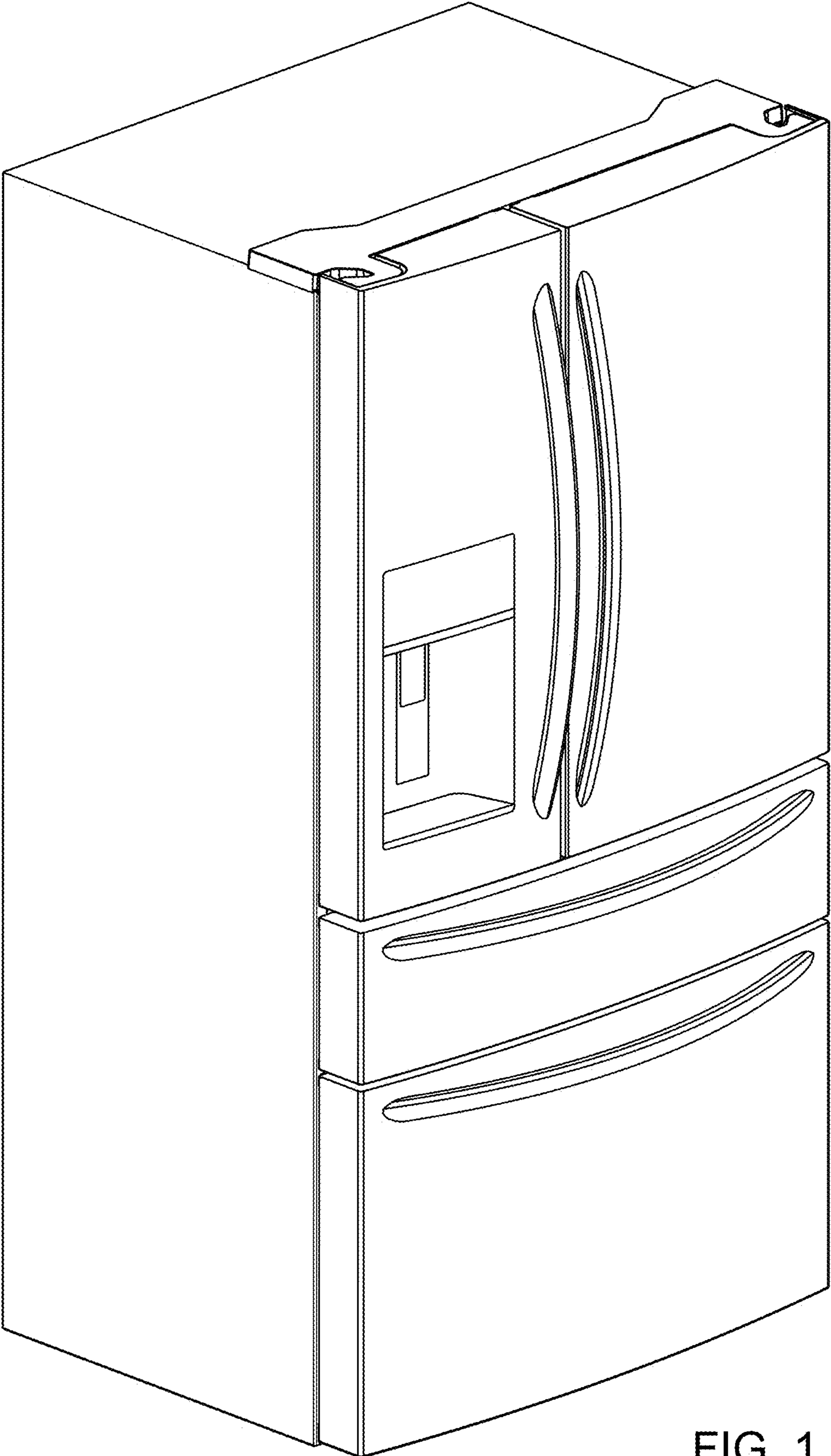


FIG. 1

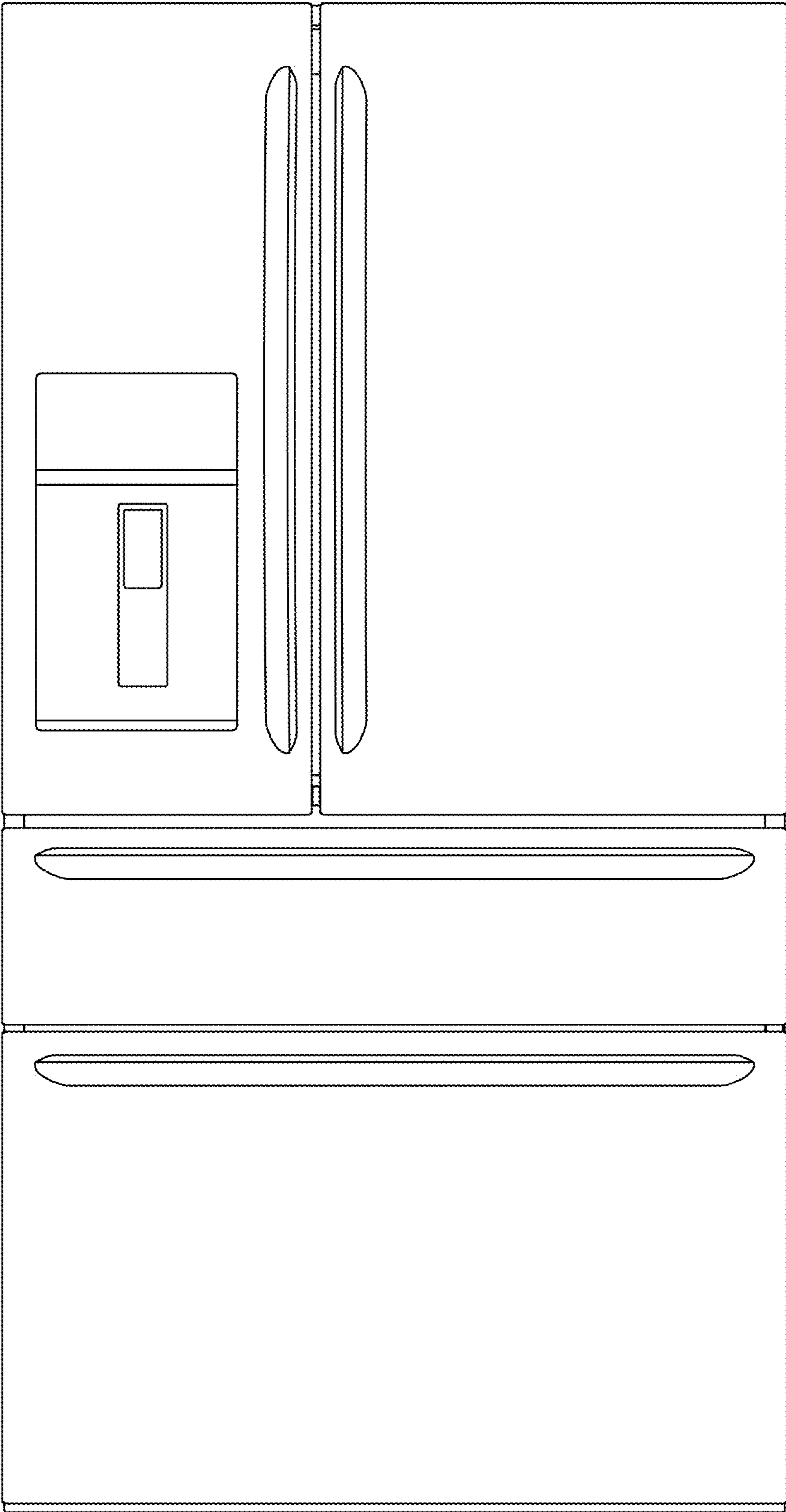


FIG. 2

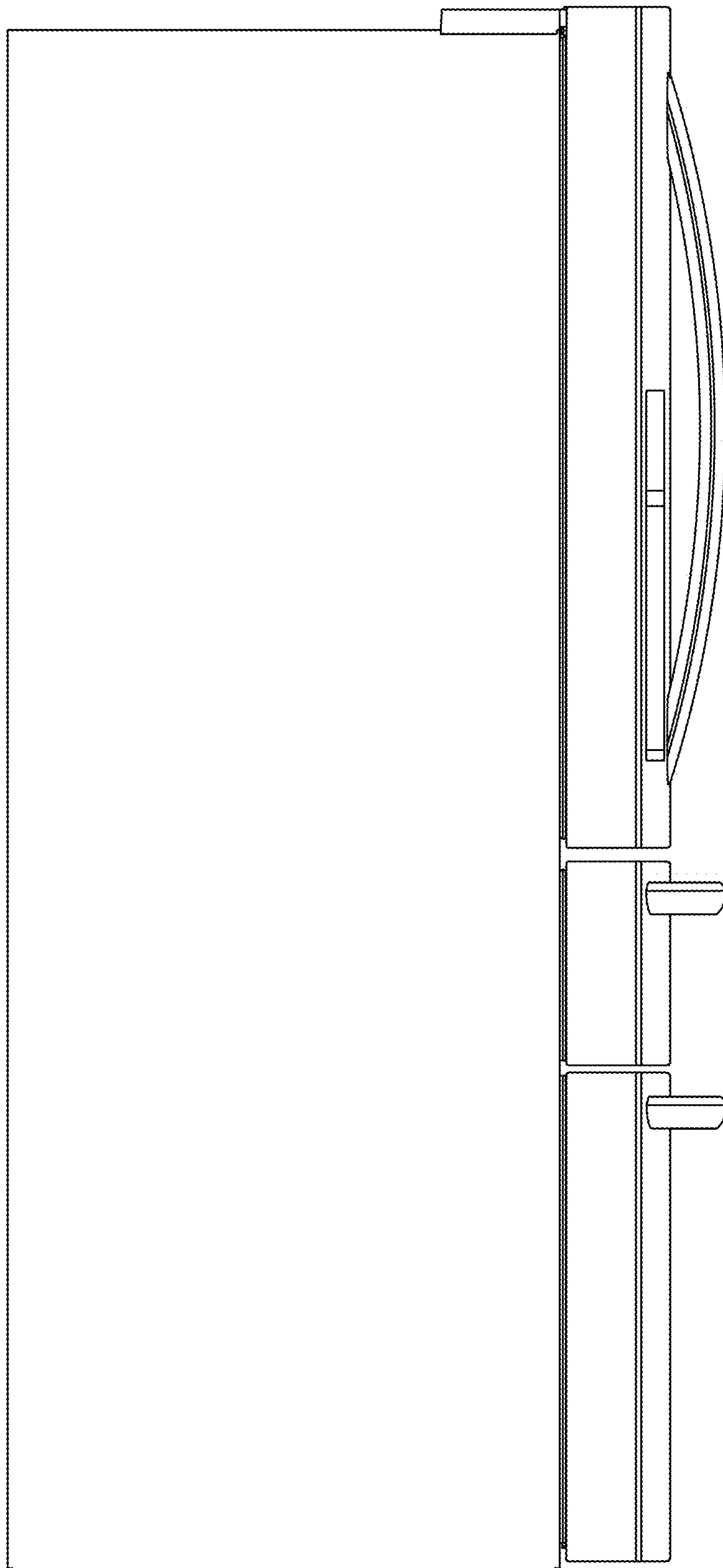


FIG. 3

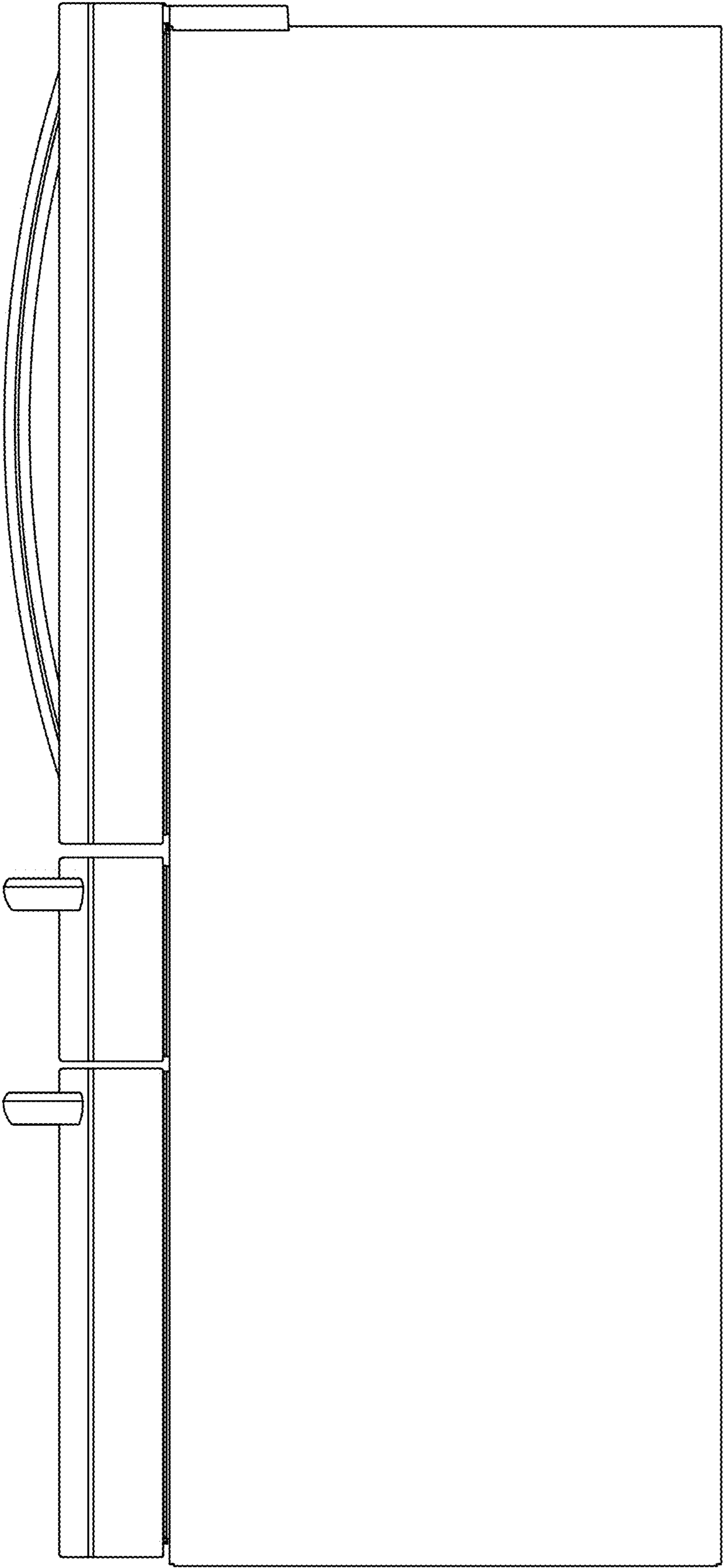


FIG. 4



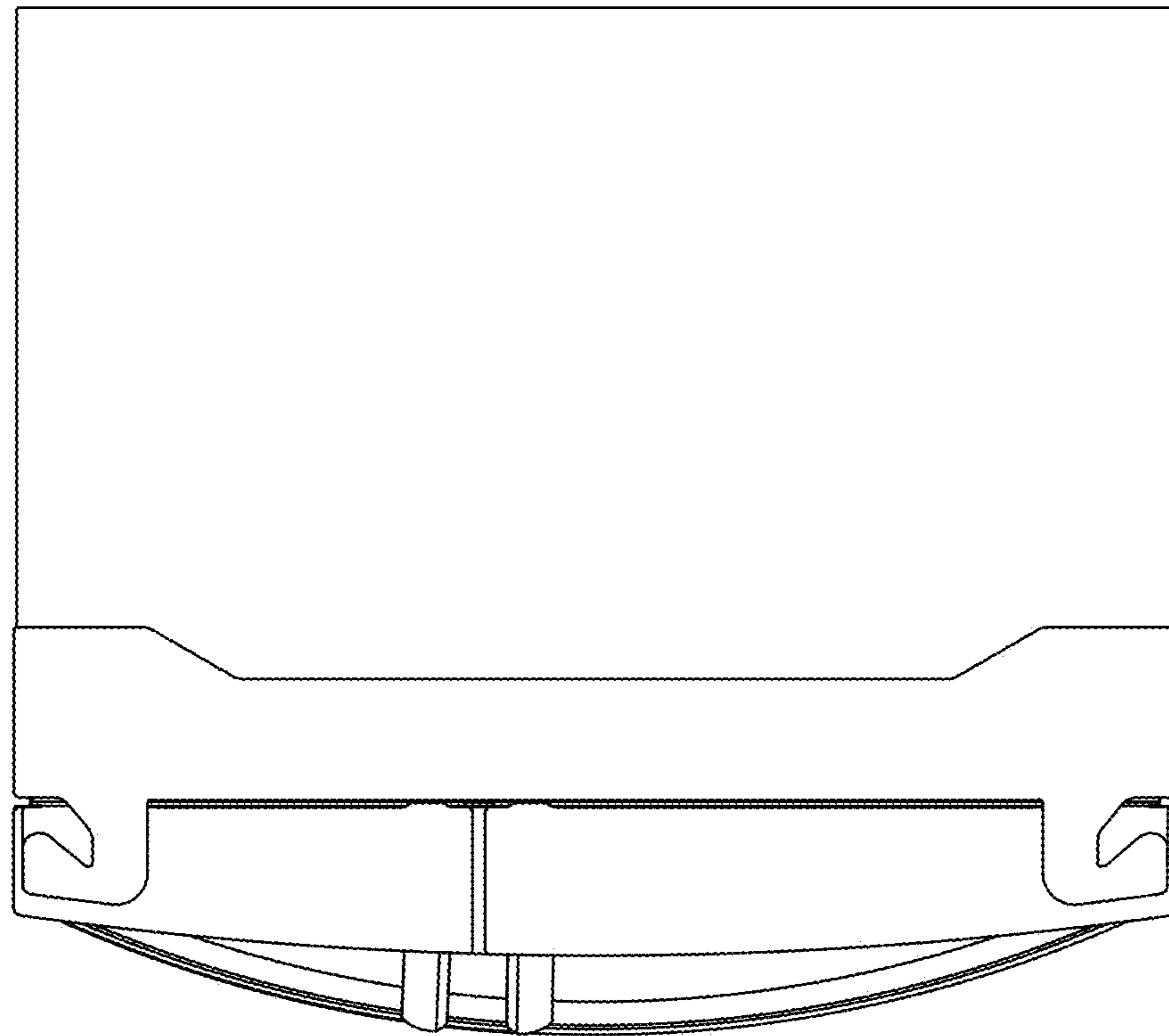


FIG. 5

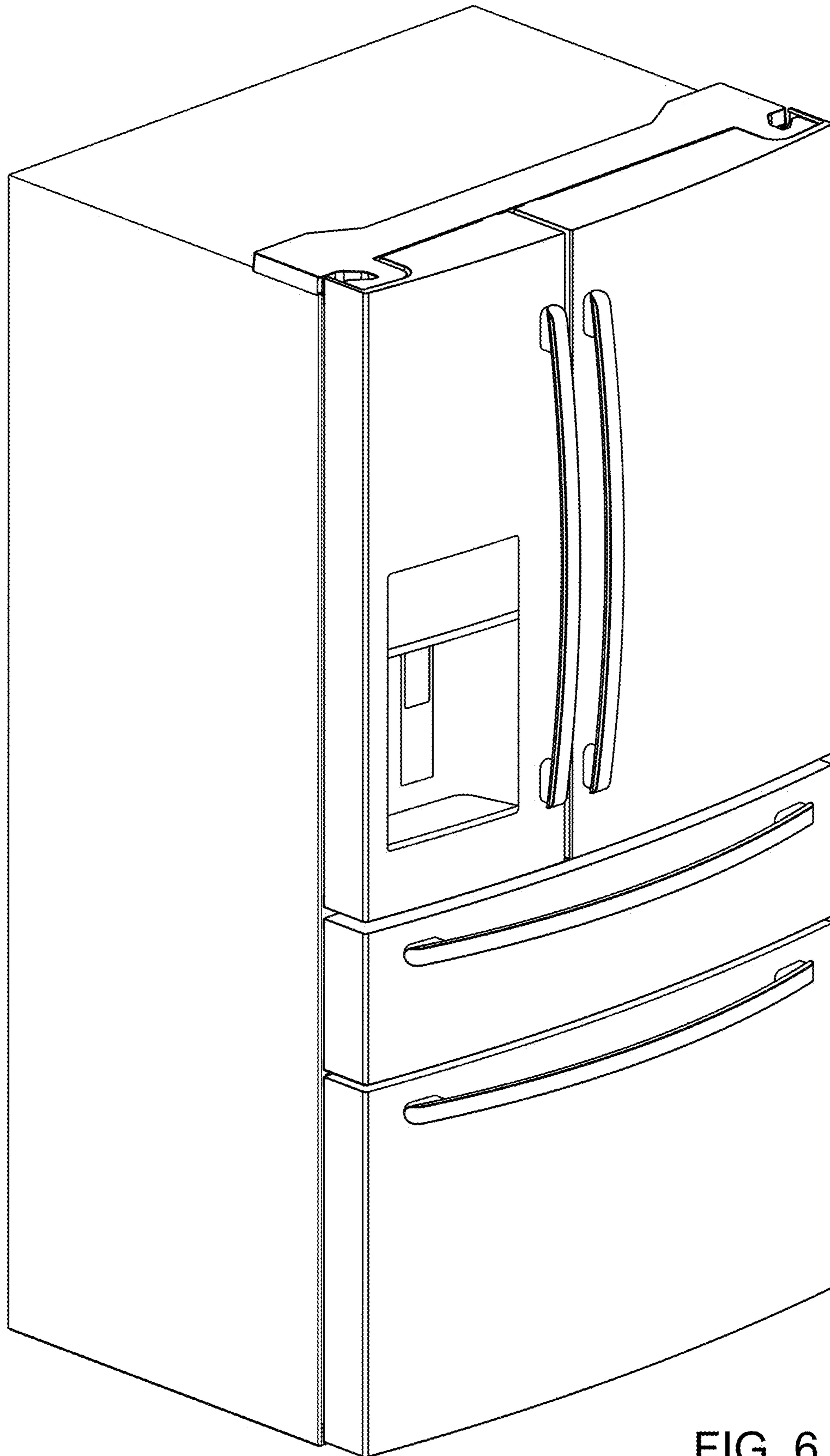


FIG. 6

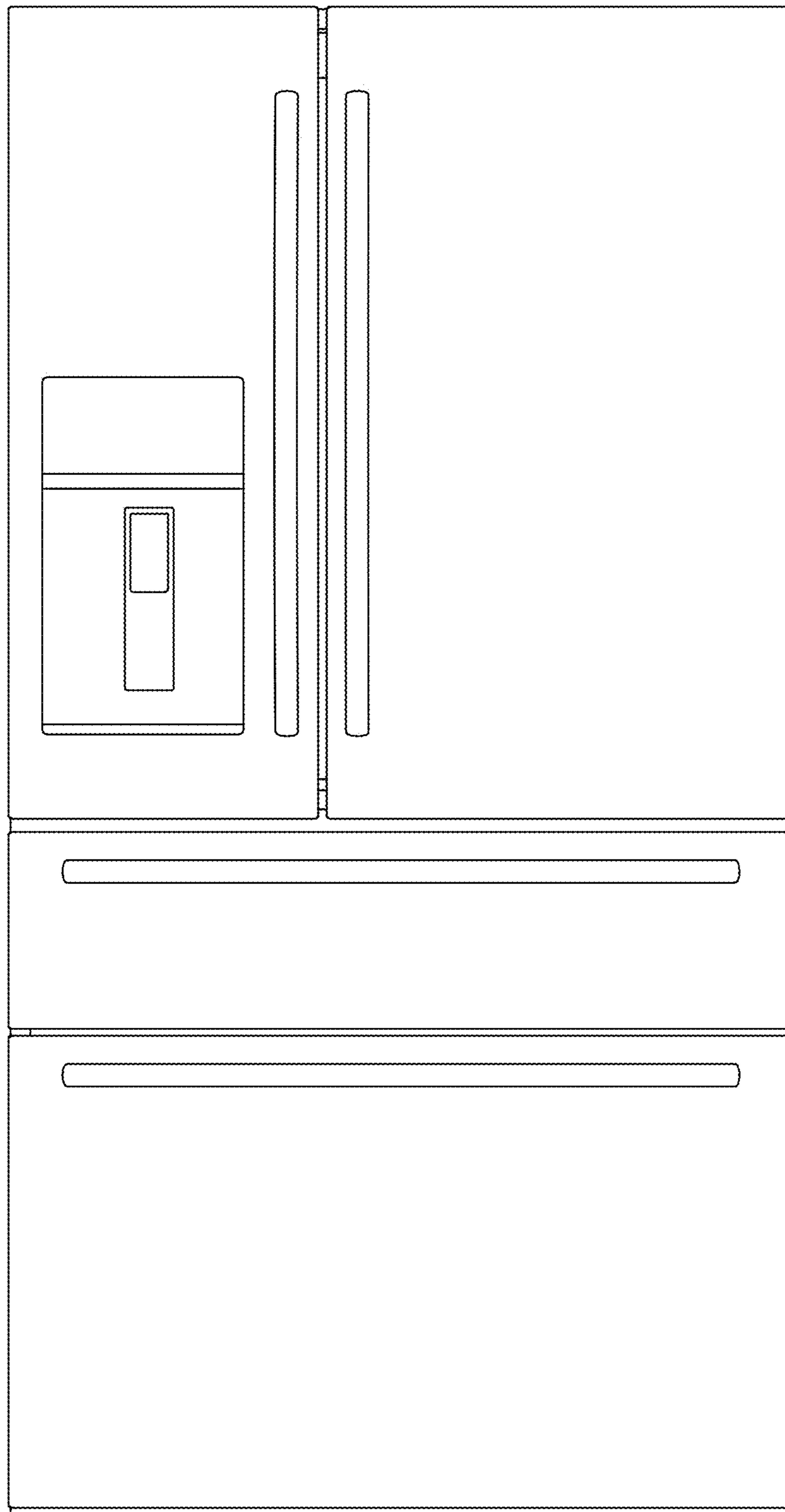


FIG. 7

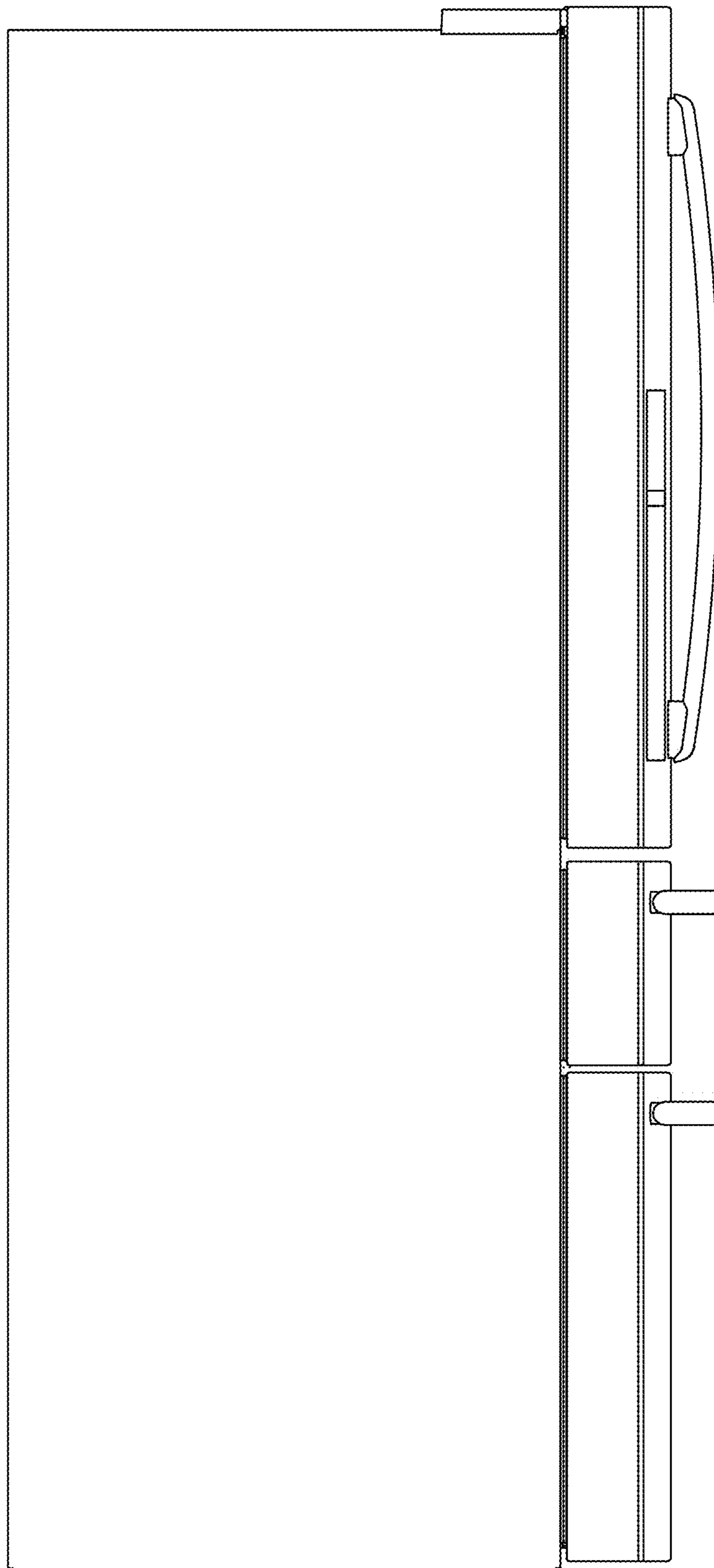


FIG. 8

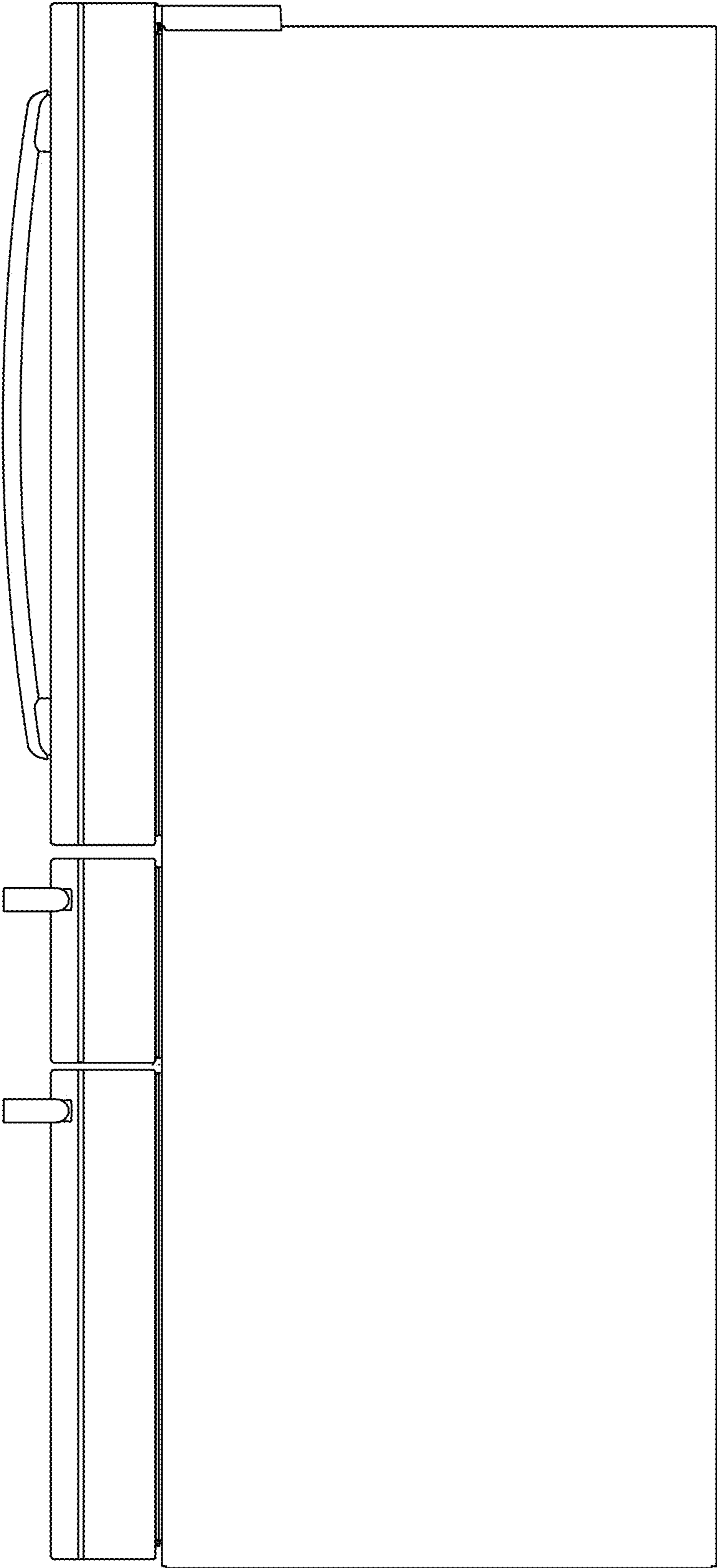


FIG. 9

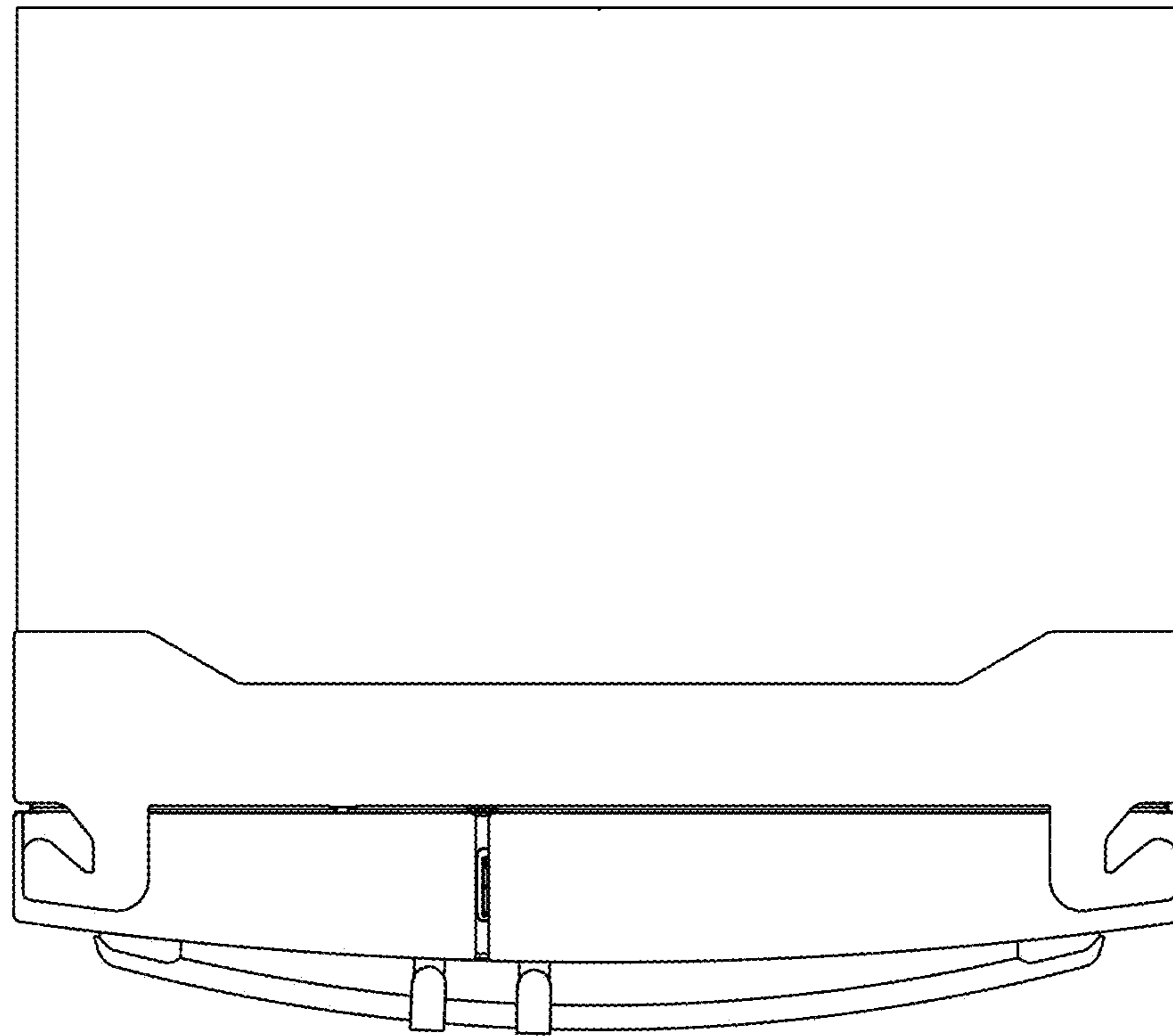


FIG. 10

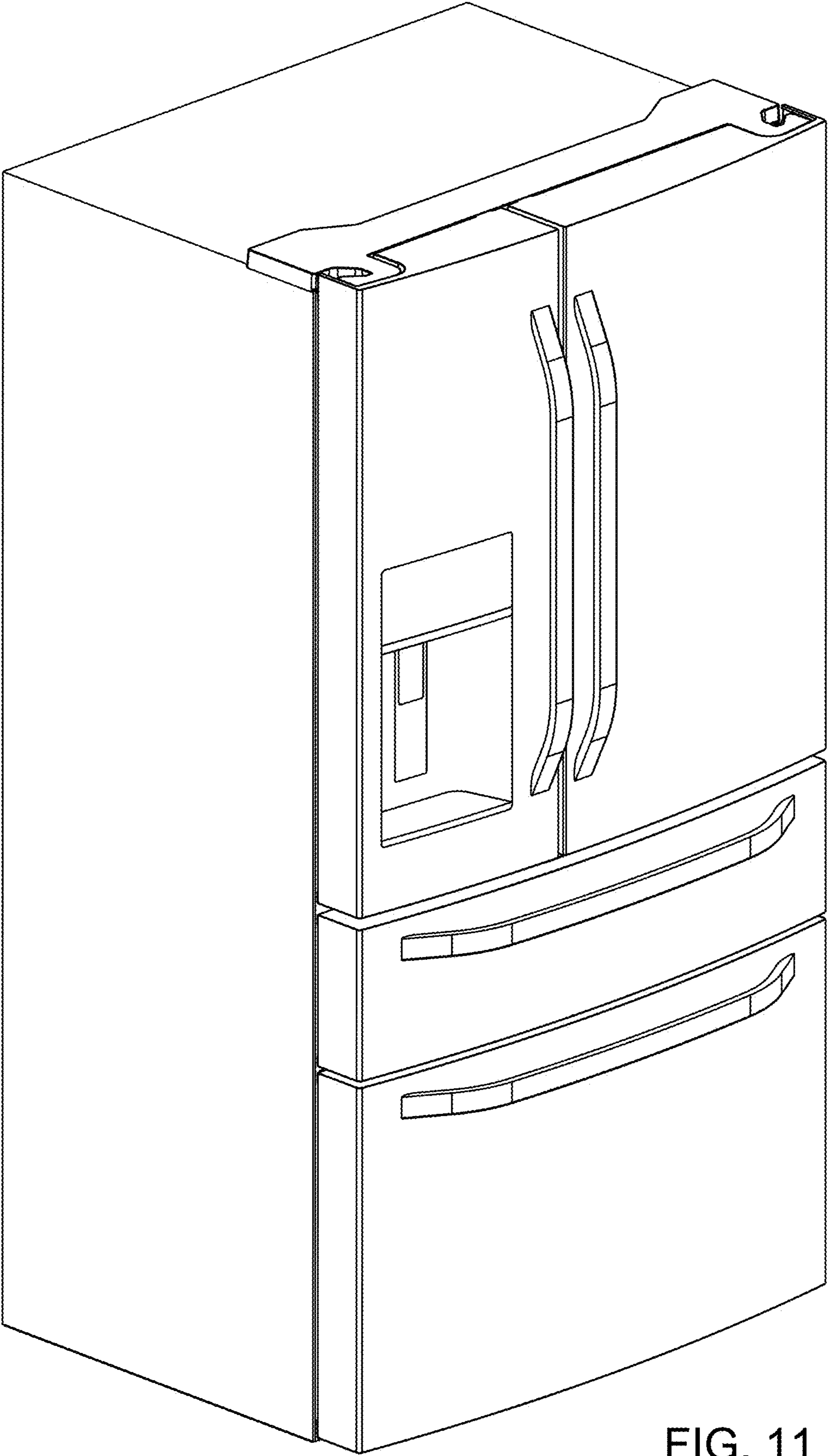


FIG. 11

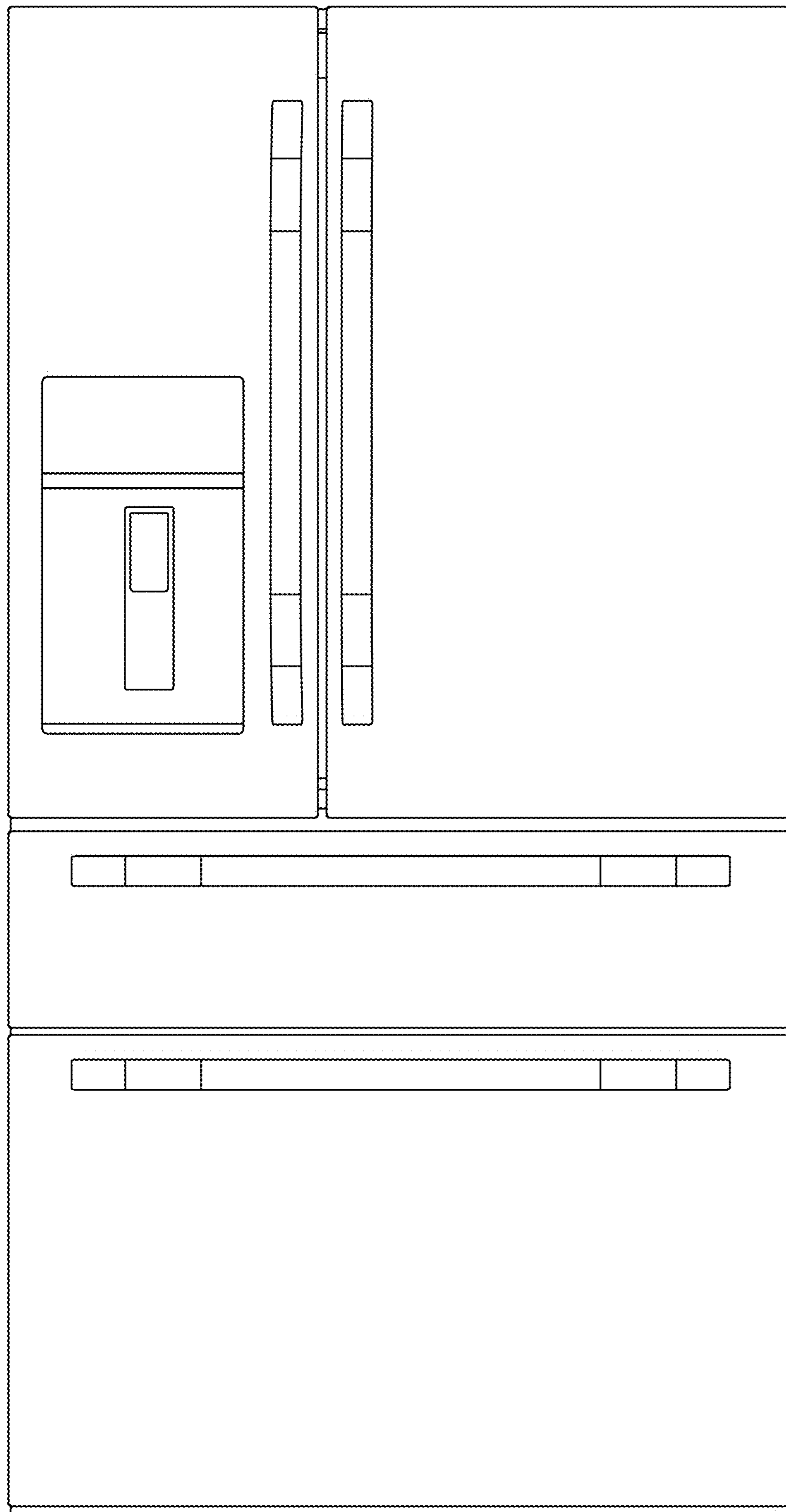


FIG. 12



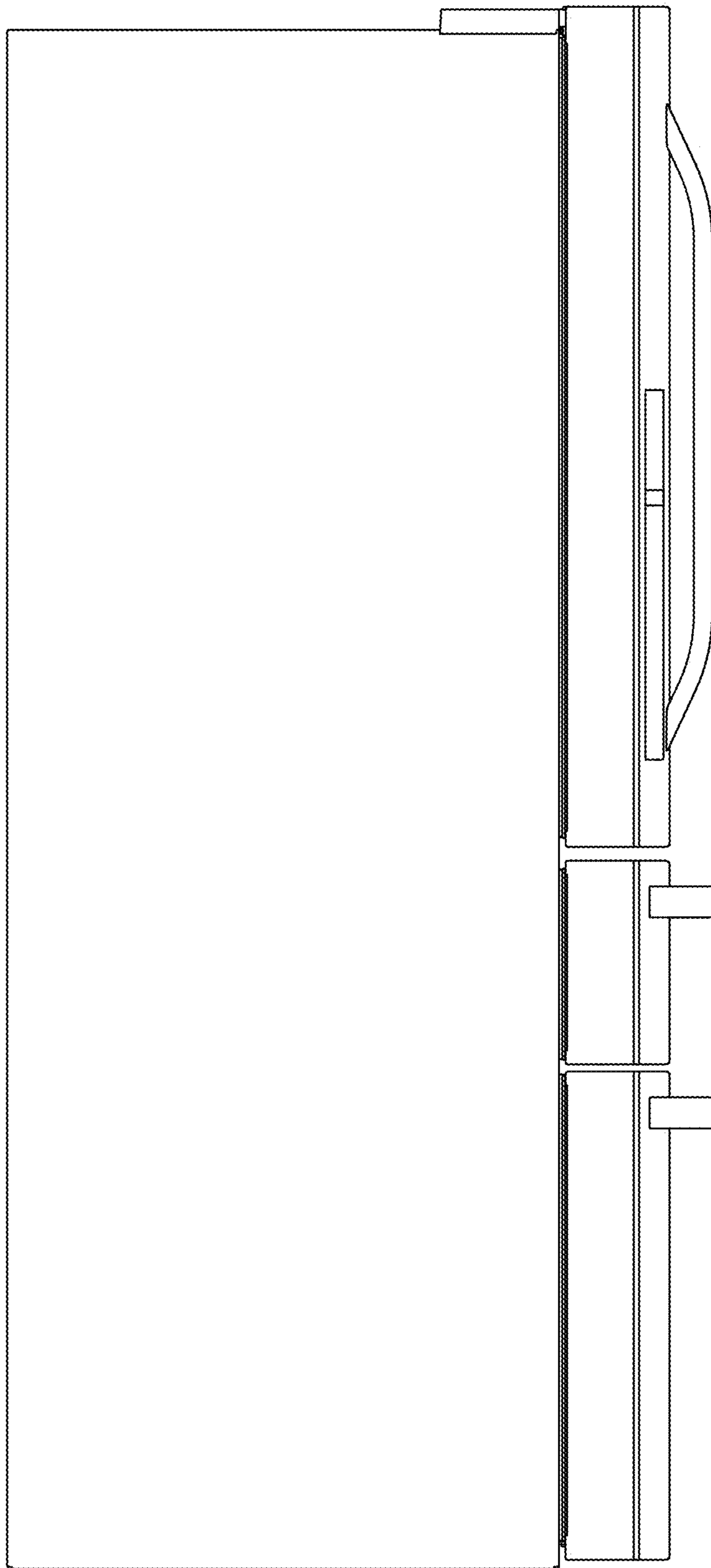


FIG. 13

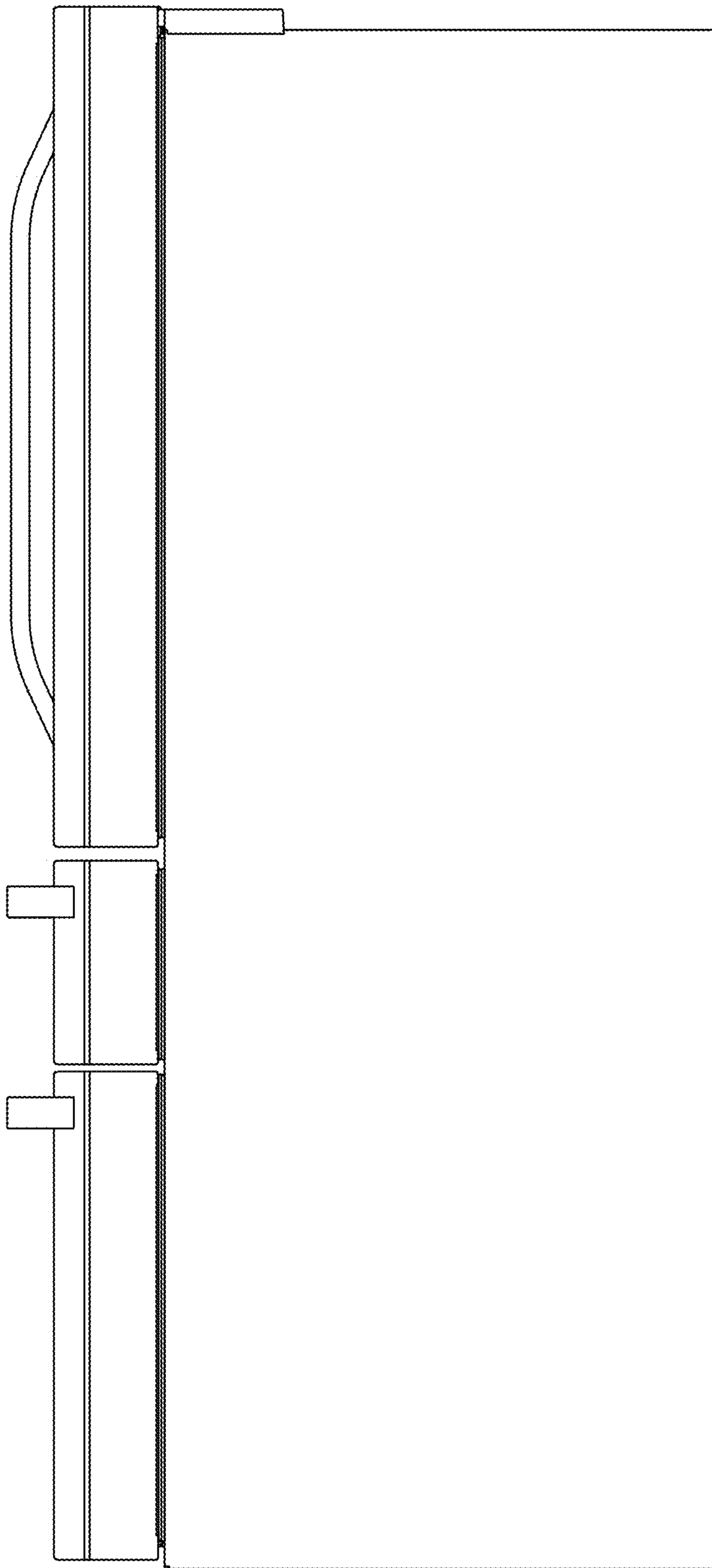


FIG. 14

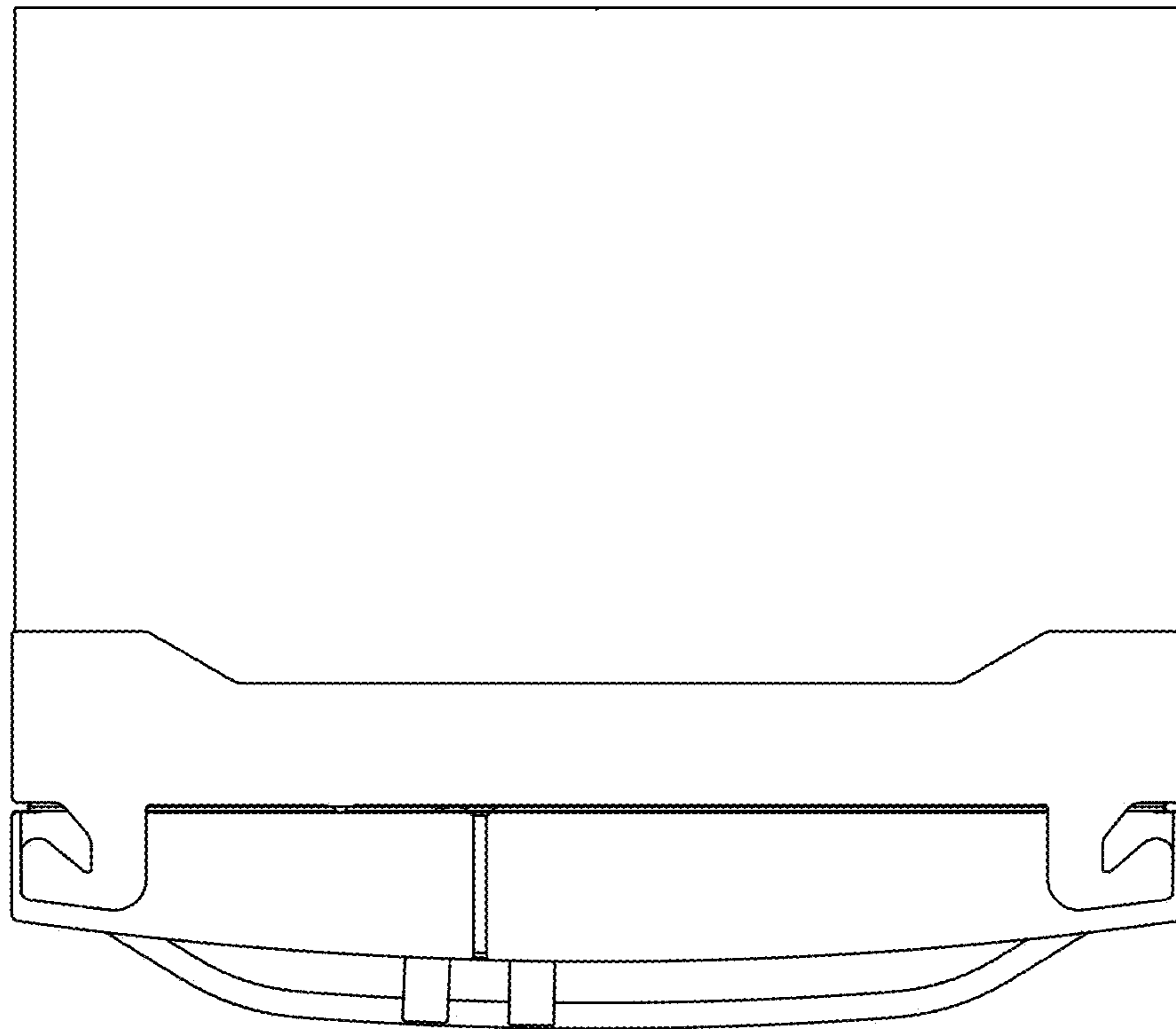


FIG. 15