



US00D909433S

(12) **United States Design Patent** (10) **Patent No.:** **US D909,433 S**
Lee et al. (45) **Date of Patent:** **** Feb. 2, 2021**

(54) **ICE CREAM MAKER**

4/42; B02C 4/142; B02C 4/143; B02C 4/423; B02C 13/1835; B28C 5/10; B28C 5/12; B28C 5/14

(71) Applicant: **LG ELECTRONICS INC.**, Seoul (KR)

See application file for complete search history.

(72) Inventors: **Hophil Lee**, Seoul (KR); **Seungil Lee**, Seoul (KR)

(56) **References Cited**

U.S. PATENT DOCUMENTS

(73) Assignee: **LG Electronics Inc.**, Seoul (KR)

D254,972 S *	5/1980	Rakocy	D15/82
D292,098 S *	9/1987	Pandolfi	D15/82
D293,448 S *	12/1987	Uesaka	D15/82
D294,328 S *	2/1988	Uesaka	D7/368
D296,749 S *	7/1988	Threadgill, Jr.	D15/82
5,022,315 A *	6/1991	Bertram	A47J 43/082 99/348
D323,513 S *	1/1992	van Asten	D15/82
D346,389 S *	4/1994	Lindholm	D15/82
D456,031 S *	4/2002	Smith	D15/82
D469,451 S *	1/2003	Wanat	D15/82
D485,566 S *	1/2004	Ledingham	D15/82
7,081,265 B2 *	7/2006	Wanat	A23G 9/12 366/144
D534,189 S *	12/2006	Ball	D15/79

(**) Term: **15 Years**

(21) Appl. No.: **35/508,365**

(22) Filed: **Jul. 24, 2019**

(80) **Hague Agreement Data**

Int. Filing Date: **Jul. 24, 2019**

Int. Reg. No.: **DM/203996**

Int. Reg. Date: **Jul. 24, 2019**

Int. Reg. Pub. Date: **Jan. 24, 2020**

(30) **Foreign Application Priority Data**

Jan. 31, 2019 (KR) 30-2019-0005055

(51) **LOC (13) Cl.** **15-07**

(52) **U.S. Cl.**
USPC **D15/82**
CPC **A23G 9/12** (2013.01)

(58) **Field of Classification Search**

USPC D7/372, 376-386, 402, 412-413, 602, D7/629, 665-666, 669, 679, 693-694; D15/79, 82; 312/3.6, 116, 138.1, 236, 312/401-408; 62/125, 126, 342
CPC .. A21C 1/02; A21C 1/04; A23G 9/106; A23G 9/12; A23N 1/00; A23N 1/02; A47J 43/04; A47J 43/25; A47J 43/27; A47J 43/042; A47J 43/044; A47J 43/046; A47J 43/075; A47J 43/0722; A47J 43/0727; B01F 3/00; B01F 3/0807; B01F 3/0853; B01F 7/00208; B01F 13/0059; B01F 13/0064; B02C 1/08; B02C 2/04; B02C

Primary Examiner — Richard E Chilcot

(74) *Attorney, Agent, or Firm* — Birch, Stewart, Kolasch & Birch, LLP

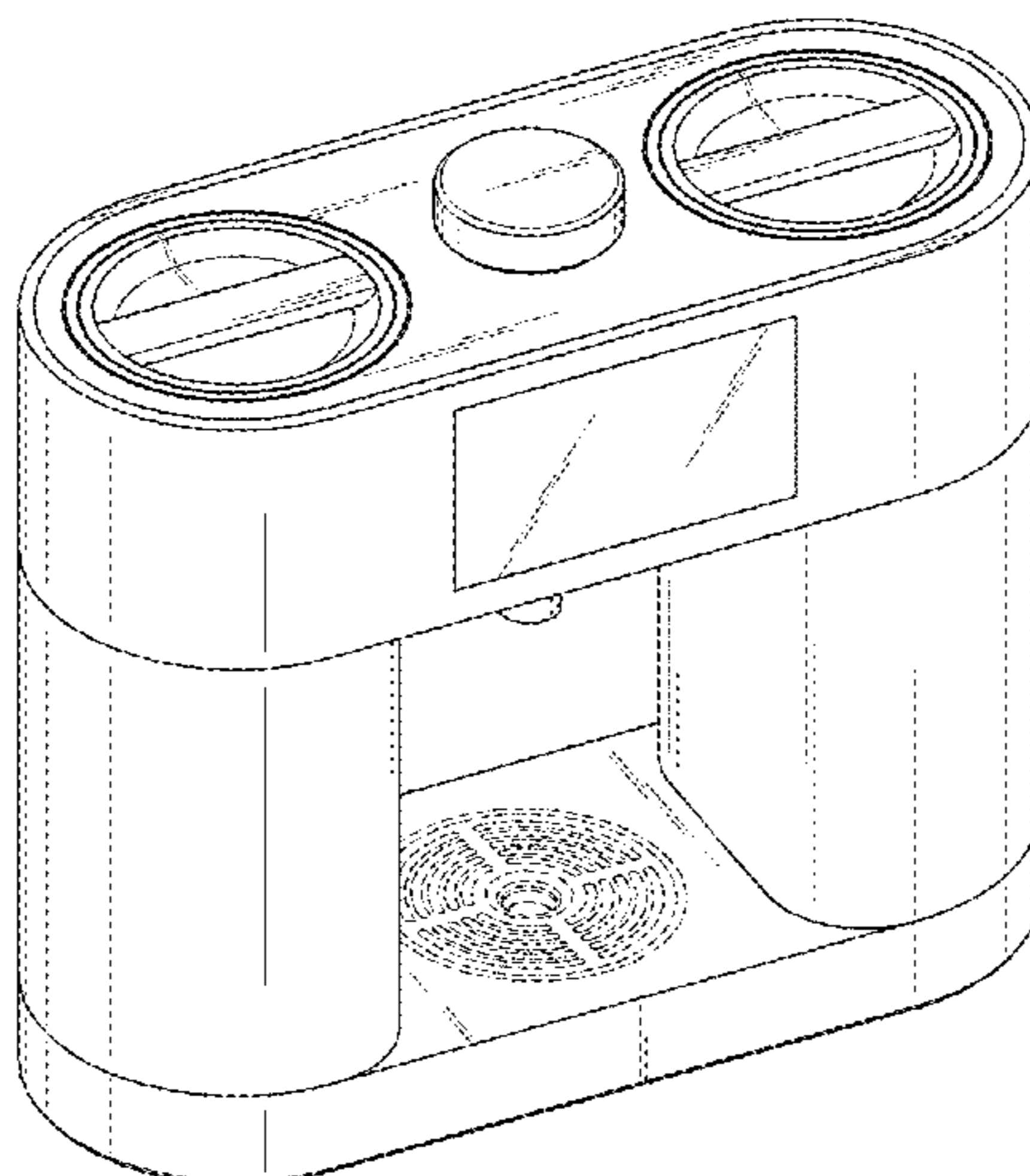
(57) **CLAIM**

The ornamental design for an ice cream maker, as shown and described.

DESCRIPTION

- 1. Ice cream maker
- 1.1 : Perspective
- 1.2 : Front
- 1.3 : Back
- 1.4 : Left
- 1.5 : Right
- 1.6 : Bottom
- 1.7 : Top
- 1.8 : Reference view showing a state of use

(Continued)



The parts shown by means of broken lines in the reproductions are not part of the claimed design.

1 Claim, 8 Drawing Sheets

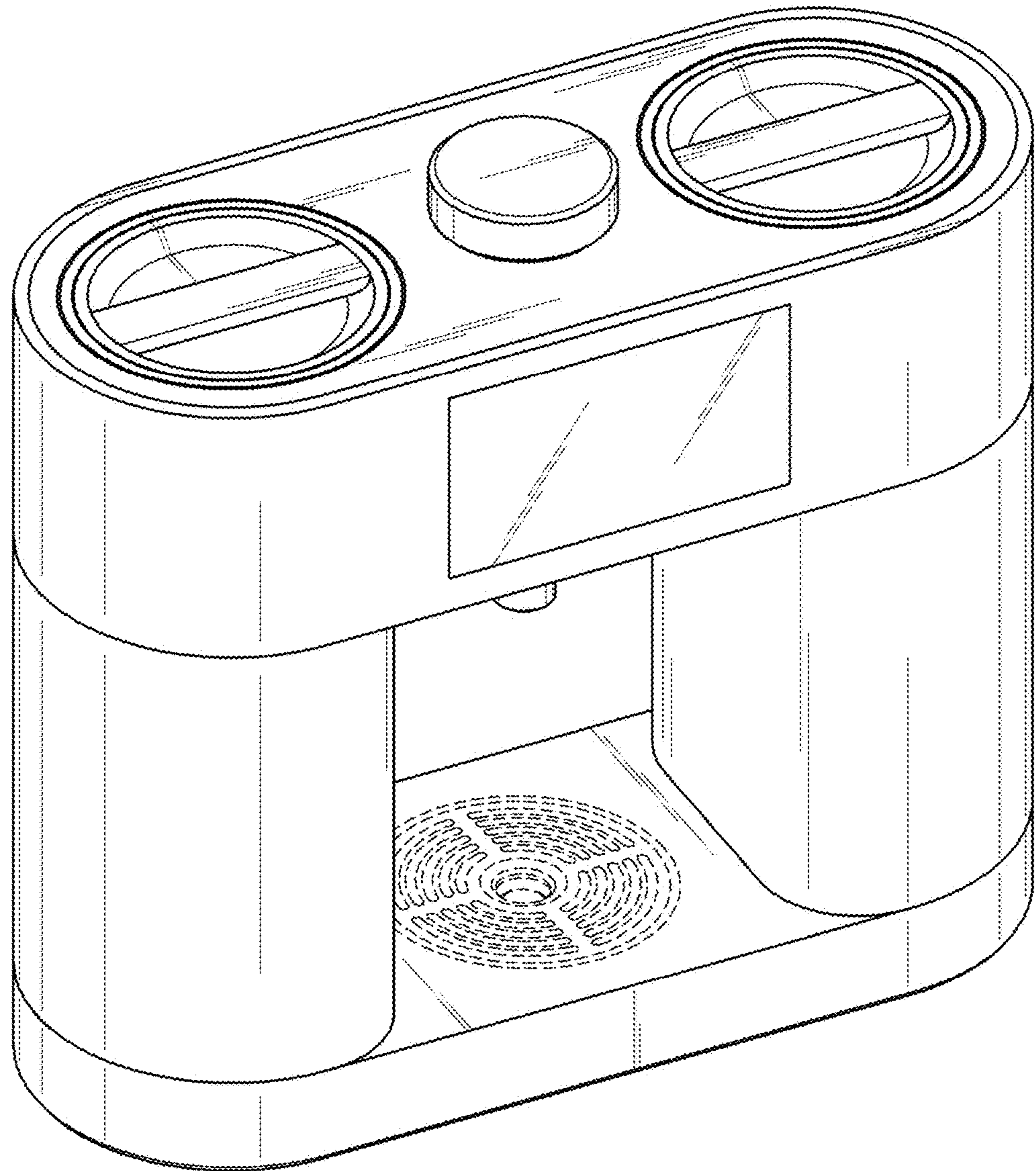
(56) **References Cited**

U.S. PATENT DOCUMENTS

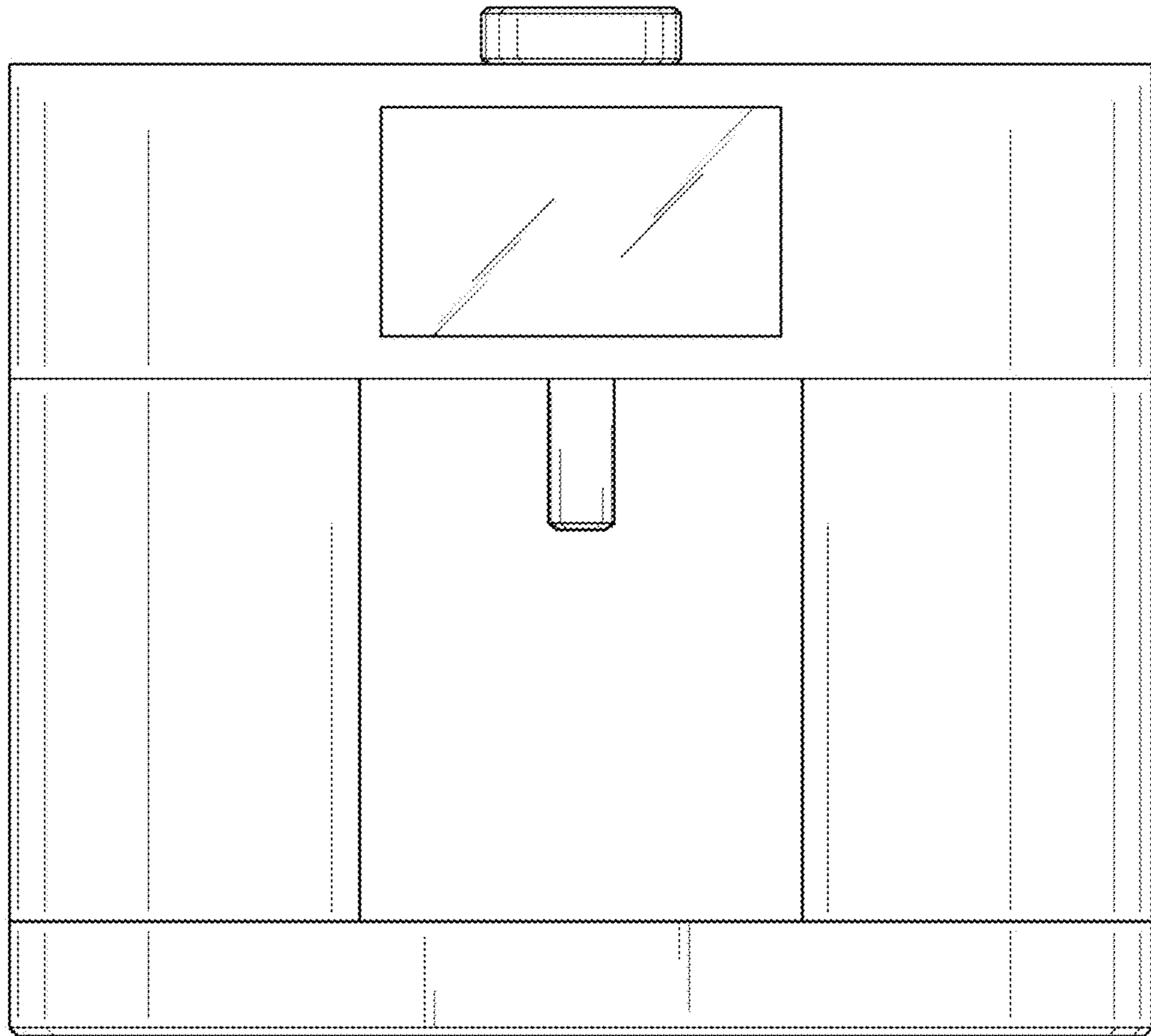
D537,847 S *	3/2007	Li	D15/82
7,878,021 B2 *	2/2011	Perrier	A23G 9/12
			62/342
D664,999 S *	8/2012	Desberg	D15/82
D673,186 S *	12/2012	Siu	D15/82
D828,092 S *	9/2018	Dietz	D7/412

* cited by examiner

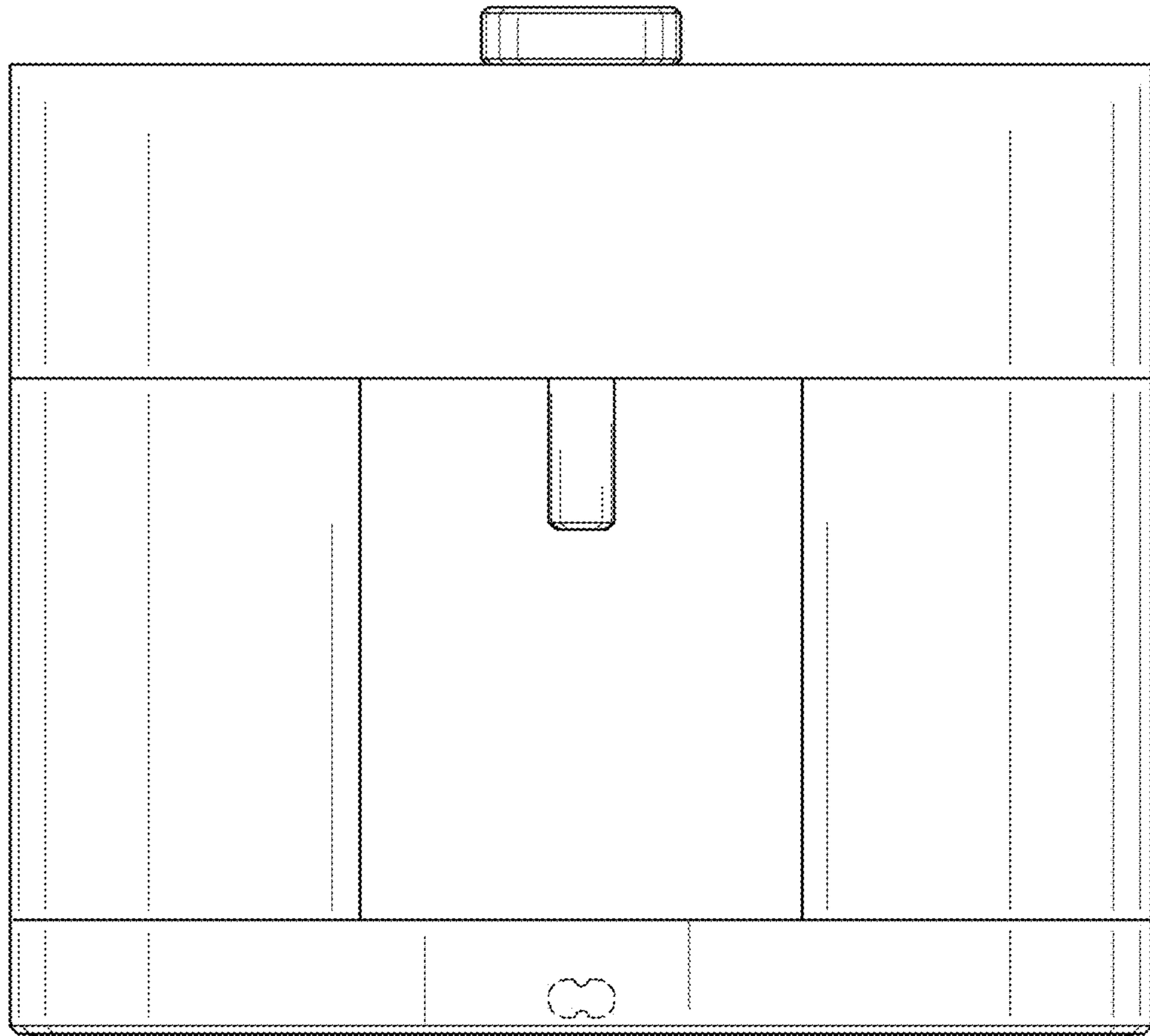
1.1



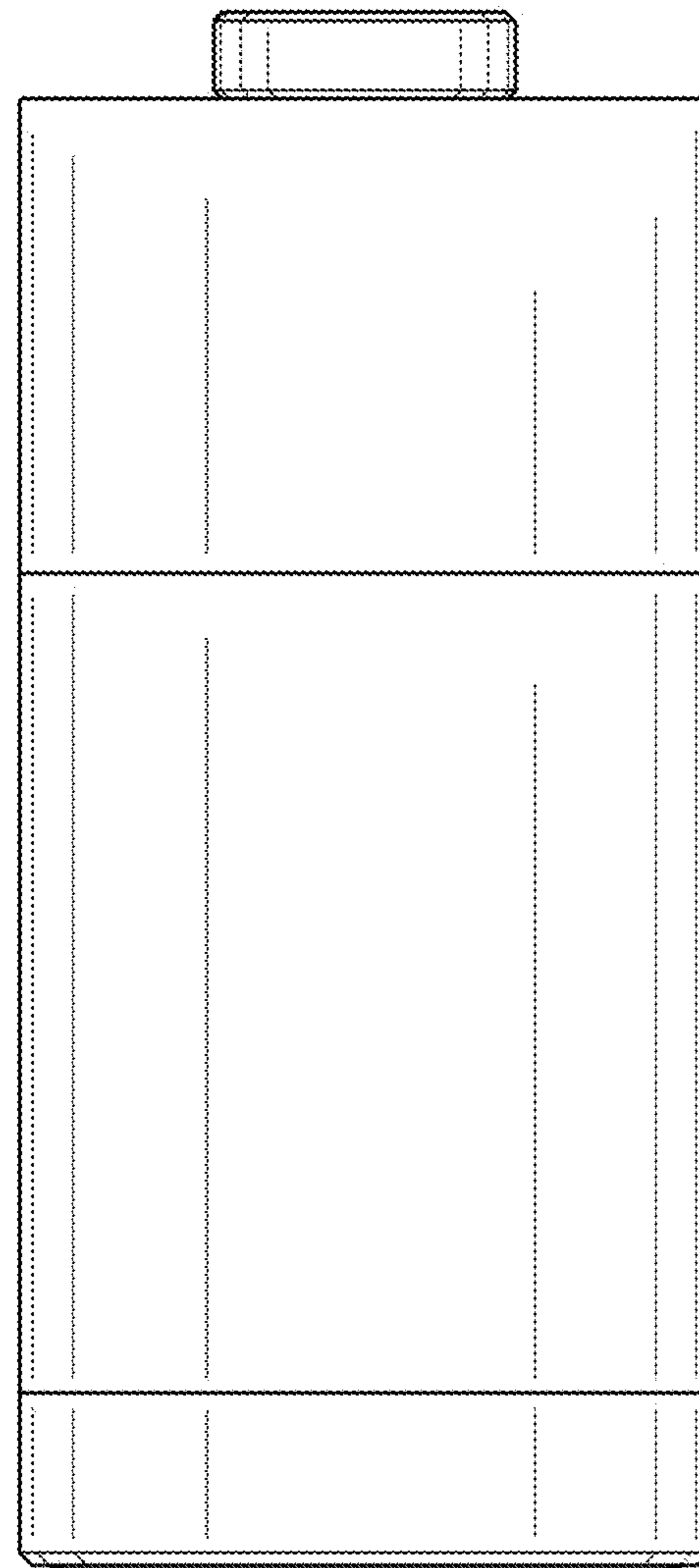
1.2



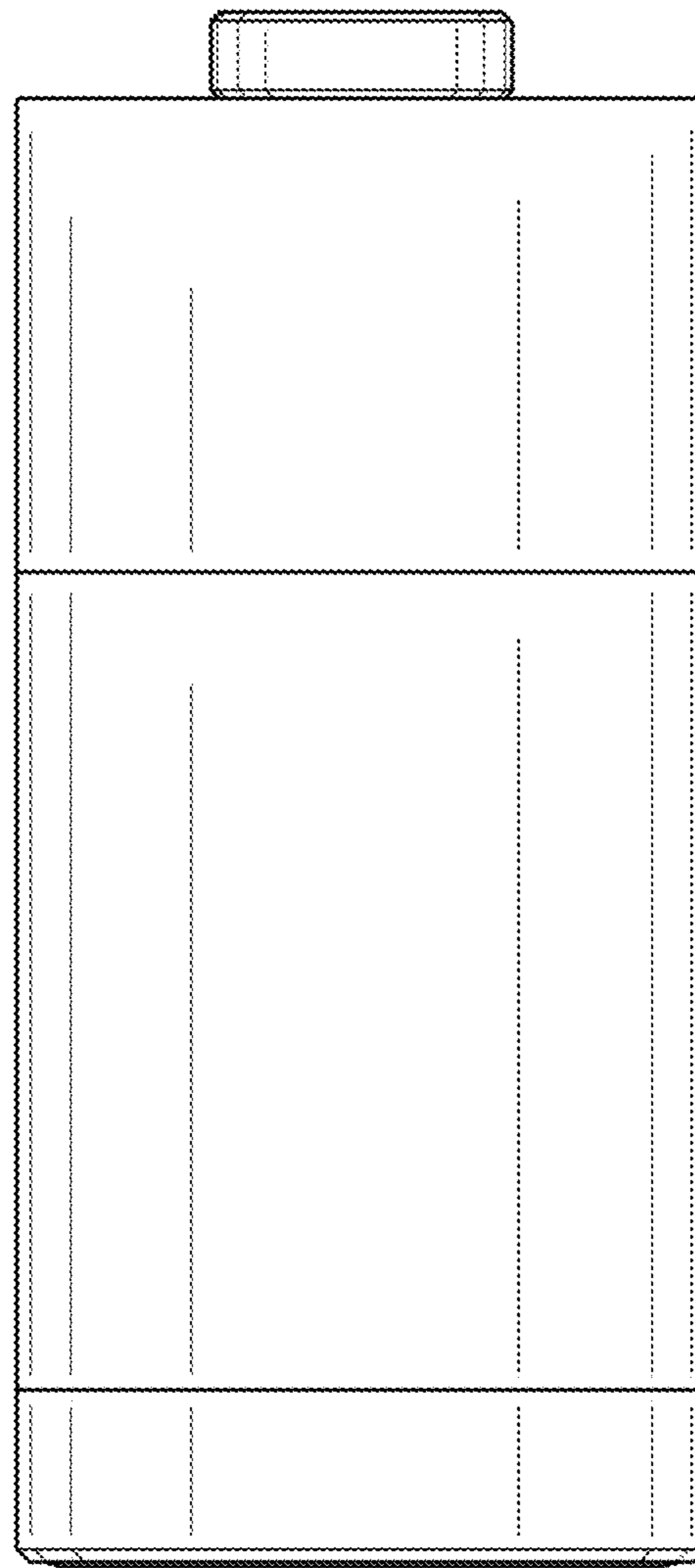
1.3



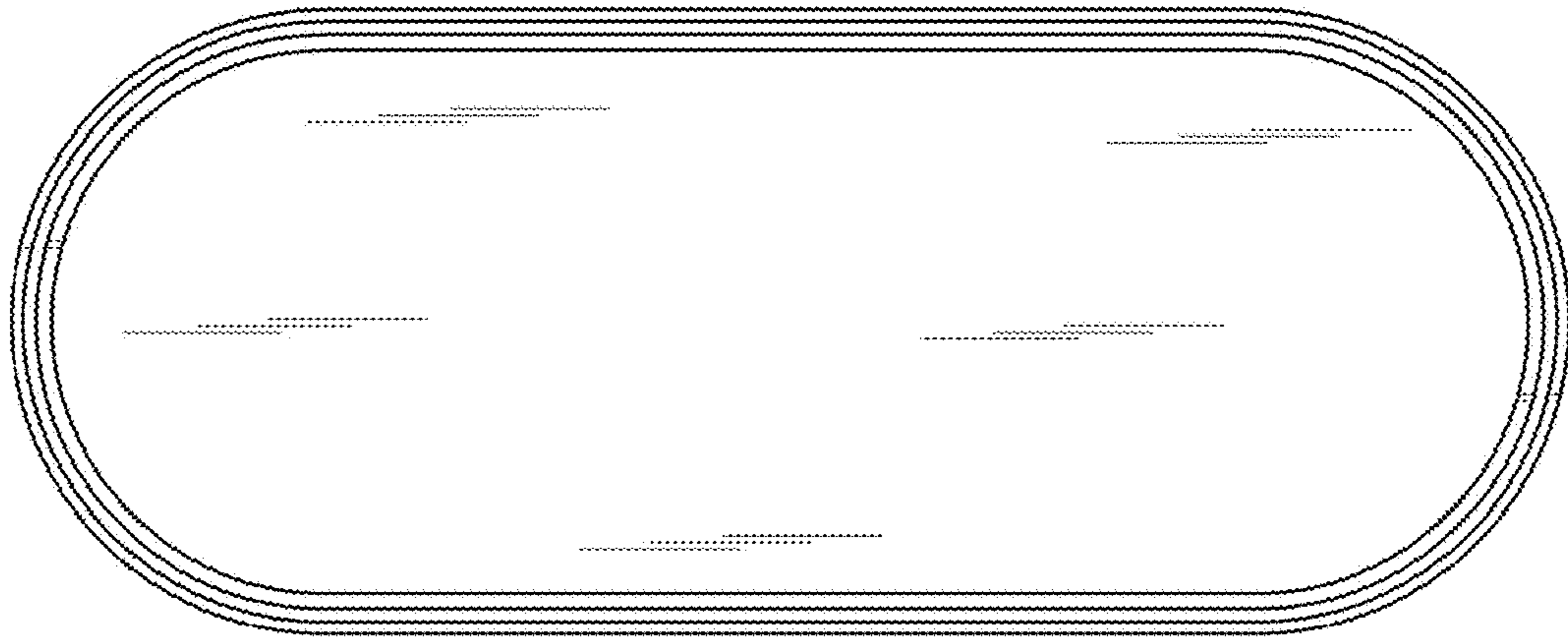
1.4



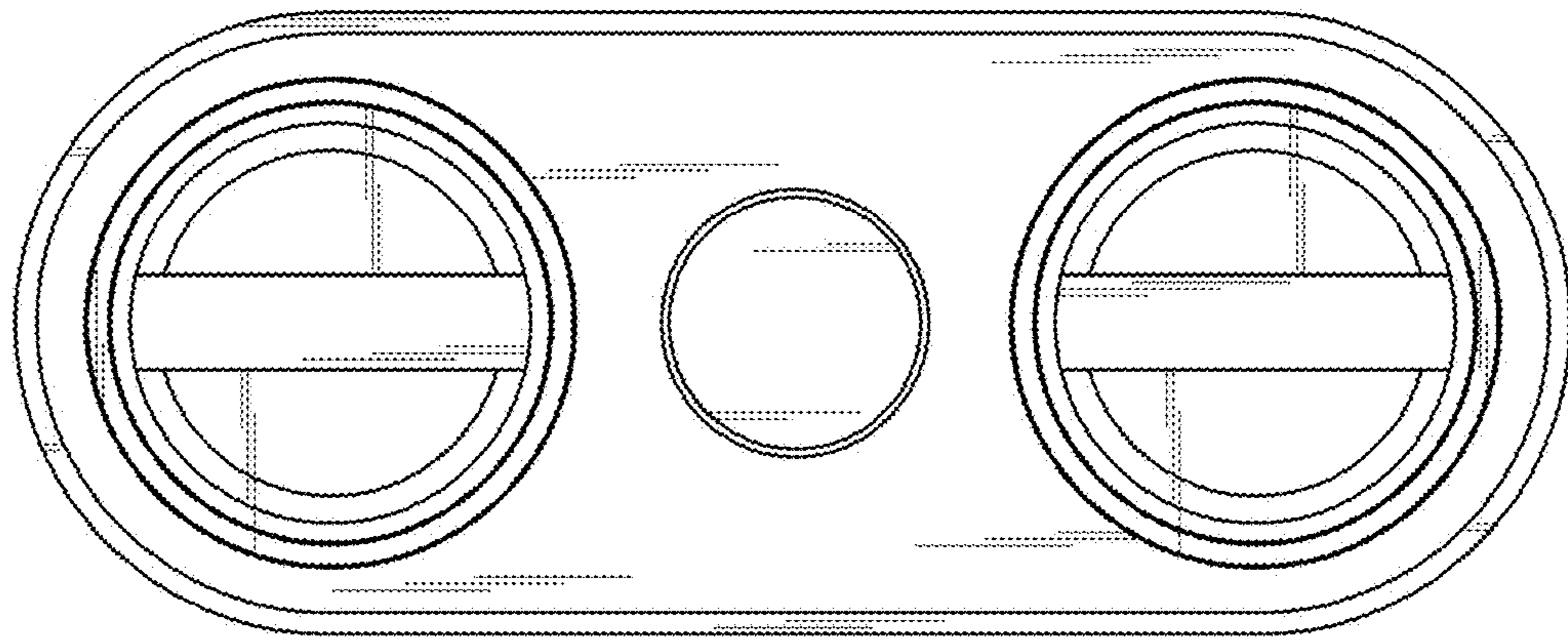
1.5



1.6



1.7



1.8

