



US00D909430S

(12) **United States Design Patent**  
**Fairbanks**

(10) **Patent No.:** **US D909,430 S**

(45) **Date of Patent:** **\*\* Feb. 2, 2021**

(54) **LOOM**

(71) Applicant: **WISCONSIN ALUMNI RESEARCH FOUNDATION**, Madison, WI (US)

(72) Inventor: **Marianne Fairbanks**, Madison, WI (US)

(73) Assignee: **WISCONSIN ALUMNI RESEARCH FOUNDATION**, Madison, WI (US)

(\*\*) Term: **15 Years**

(21) Appl. No.: **29/613,670**

(22) Filed: **Aug. 11, 2017**

(51) **LOC (13) Cl.** ..... **15-06**

(52) **U.S. Cl.**  
USPC ..... **D15/66**

(58) **Field of Classification Search**  
USPC ..... D3/18, 20, 23, 26; D15/66, 78  
(Continued)

(56) **References Cited**

U.S. PATENT DOCUMENTS

D37,945 S \* 4/1906 Stone et al. .... D6/300  
D67,782 S \* 7/1925 Born et al. .... D6/300  
(Continued)

OTHER PUBLICATIONS

Samsung G9198 Phone, Samsung goes old-school with its latest dual-screen flip-phone, by Abhimanyu Ghoshal—Aug. 17, 2015—09:40Aug. 17, 2015 in Mobile, thenextweb.com, <https://thenextweb.com/mobile/2015/08/17/samsung-goes-old-school-with-its-latest-dual-screen-flip-phone/>.\*

(Continued)

*Primary Examiner* — Steven J Czyz

(74) *Attorney, Agent, or Firm* — Seager, Tufte & Wickhem LLP

(57) **CLAIM**

The ornamental design for a loom, as shown and described.

**DESCRIPTION**

FIG. 1 is a front-side top perspective view of an embodiment of a loom;

FIG. 2 is a front side view of the loom of FIG. 1;

FIG. 3 is a back side view of the loom of FIG. 1;

FIG. 4 is a bottom side view of the loom of FIG. 1, where a top side view of the loom of FIG. 1 is identical to the bottom side view of the loom of FIG. 1;

FIG. 5 is a left side view of the loom of FIG. 1;

FIG. 6 is a right side view of the loom of FIG. 1;

FIG. 7 is a top perspective view of the loom of FIG. 1, with a center portion removed;

FIG. 8 is a top perspective view of the loom of FIG. 1, with a comb and two needles removed;

FIG. 9 is a top perspective view of a center portion of the loom of FIG. 1;

FIG. 10 is a front-side top perspective view of the loom of FIG. 1 in a stand formation, with a center portion removed, a comb and two needles removed from the center portion, and the center portion engaging holes in the loom to form a stand;

FIG. 11 is a right side view of the loom of FIG. 1 in the stand formation as shown in FIG. 10;

FIG. 12 is a back-side top perspective view of the loom of FIG. 1 in the stand formation as shown in FIG. 10;

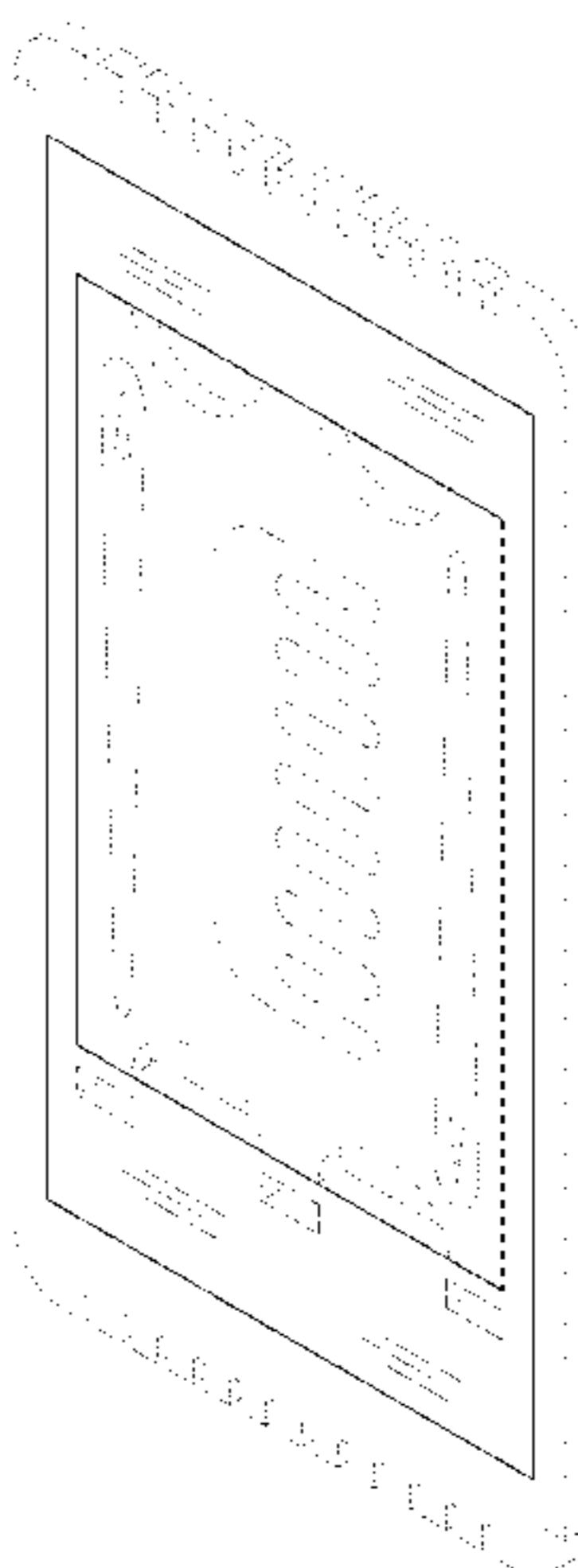
FIG. 13 is a front side view of a further embodiment of a loom that is similarly configured to the loom of FIG. 1 and has the same left side view and right side view as the loom of FIG. 1, but with eighteen sets at the top and bottom of the loom instead of twelve sets as depicted in the embodiment of FIG. 1;

FIG. 14 is a bottom side view of the loom of FIG. 13, where a top side view of the loom of FIG. 13 is identical to the bottom side view of the loom of FIG. 13;

FIG. 15 is a back side view of the loom of FIG. 13;

FIG. 16 is a front side view of a further embodiment of a loom that is similarly configured to the loom of FIG. 1 and has the same left side view and right side view as the loom

(Continued)



of FIG. 1, but with twenty-six sets at the top and bottom of the loom instead of twelve sets as depicted in the embodiment of FIG. 1;

FIG. 17 is a bottom side view of the loom of FIG. 16, where a top side view of the loom of FIG. 16 is identical to the bottom side view of the loom of FIG. 16;

FIG. 18 is a back side view of the loom of FIG. 16;

FIG. 19 is a front side view of a further embodiment of a loom that is similarly configured to the loom of FIG. 1 and has the same bottom side view and top side view as the loom of FIG. 1, but with a v-notch on the left side and a v-notch on the right side of the loom instead of the u-notch on the left side and the u-notch on the right side of the loom as depicted in the embodiment of FIG. 1;

FIG. 20 is a back side view of the loom of FIG. 19;

FIG. 21 is a left side view of the loom of FIG. 19; and,

FIG. 22 is a right side view of the loom of FIG. 19.

The portions of the drawings illustrated in dashed lines depict portions of the article that form no part of the claimed design. The portions of the drawings illustrated in dash-dot-dash lines indicate boundaries that form no part of the claimed design.

**1 Claim, 22 Drawing Sheets**

(58) **Field of Classification Search**

CPC ..... D03D 29/00; D03D 35/00; D03D 49/00;  
D03D 49/04

See application file for complete search history.

(56) **References Cited**

U.S. PATENT DOCUMENTS

1,667,330 A \* 4/1928 Odlin ..... D03D 29/00  
28/151  
D101,456 S \* 10/1936 Gross et al. .... D6/300  
2,136,552 A \* 11/1938 Le Page ..... D03D 29/00  
28/152  
2,153,764 A \* 4/1939 Lewis ..... D03D 29/00  
28/152  
2,190,813 A \* 2/1940 Walker ..... D03D 29/00  
28/151  
2,198,624 A \* 4/1940 Kimson ..... D03D 29/00  
139/33  
2,218,994 A \* 10/1940 Ryan ..... D03D 29/00  
28/152  
D137,047 S \* 1/1944 Halpern et al. .... D6/310  
2,424,880 A \* 7/1947 Dillon ..... D03D 29/00  
139/33  
2,427,093 A \* 9/1947 Eckert ..... D03D 29/00  
28/152  
2,607,979 A \* 8/1952 Throop ..... D03D 29/00  
28/152  
2,663,066 A \* 12/1953 Berger ..... D03D 29/00  
28/152

D204,442 S \* 4/1966 Brawley et al. .... D15/66  
3,695,303 A \* 10/1972 Dunn ..... D03D 29/00  
28/152  
4,023,245 A \* 5/1977 Zaltzman ..... D03D 29/00  
28/152  
D259,302 S \* 5/1981 Davis ..... 139/34  
D273,588 S \* 4/1984 Barrett ..... D15/66  
D279,011 S \* 5/1985 Riehm ..... D15/66  
D310,672 S \* 9/1990 Harvey ..... D15/66  
D317,681 S \* 6/1991 Stewart ..... D6/310  
D409,246 S \* 5/1999 Fereday ..... D11/157  
D441,546 S \* 5/2001 Harwanko ..... D6/300  
D509,367 S \* 9/2005 Kennedy ..... D6/300  
D559,577 S \* 1/2008 Quinn ..... D6/300  
D563,997 S \* 3/2008 Gustin ..... D15/78  
D594,834 S \* 6/2009 Su ..... D14/138 AA  
8,316,894 B2 \* 11/2012 Schaub ..... D03D 29/00  
139/29  
D676,879 S \* 2/2013 Hudgins ..... D15/66  
D711,931 S \* 8/2014 Daftari ..... D15/66  
D717,347 S \* 11/2014 Hatcher ..... D15/66  
D721,672 S \* 1/2015 Dearsley ..... D14/138 AA  
D721,744 S \* 1/2015 Daftari ..... D15/66  
D727,995 S \* 4/2015 Vilcovsky ..... D16/221  
D732,582 S \* 6/2015 Verona ..... D15/66  
D734,074 S \* 7/2015 Jouin ..... D6/672  
D737,044 S \* 8/2015 Hayakawa ..... D3/18  
D745,066 S \* 12/2015 Ng ..... D15/78  
D745,900 S \* 12/2015 Novak ..... D15/66  
D748,158 S \* 1/2016 Ng ..... D15/66  
D748,159 S \* 1/2016 Ng ..... D15/66  
D751,124 S \* 3/2016 Miller ..... D15/66  
D754,216 S \* 4/2016 Ng ..... D15/66  
9,506,171 B2 \* 11/2016 Nitta ..... D03D 41/00  
D773,174 S \* 12/2016 Okuma ..... D3/26  
D791,198 S \* 7/2017 Smith ..... D03D 29/00  
D15/66  
D795,310 S \* 8/2017 Novak ..... D15/66  
10,077,511 B2 \* 9/2018 Novak ..... D04B 5/00  
10,233,575 B2 \* 3/2019 Nitta ..... D04D 11/00

OTHER PUBLICATIONS

“Hand Held Loom,” Google Search, retrieved from [https://www.google.com/search?q=hand+held+loom&source=lnms&tbm=isch&sa=X&ved=0ahUKEwj46tTXm-nWAhVI7IMKHfMhDWUQ\\_AUICygC&biw=1324&bih=663&dpr=1.45](https://www.google.com/search?q=hand+held+loom&source=lnms&tbm=isch&sa=X&ved=0ahUKEwj46tTXm-nWAhVI7IMKHfMhDWUQ_AUICygC&biw=1324&bih=663&dpr=1.45), pp. 1-24, date accessed Oct. 10, 2017.

“Minute Weaver by Purl & Loop, Tiny Weaver, Hand Held Weaver—Natural Wood pocket Loom, Mini Loom, Beginner Loom.” Retrieved from <https://www.etsystudio.com/listing/511589611/minute-weaver-by-purl-loop-tiny-weaver>, pp. 1-4, date accessed Nov. 13, 2017.

Images of looms publicly disclosed on Jun. 24, 2016 at the grand opening of the Weaving Lab; Wisconsin Institute for Discovery, 330 N. Orchard St., Room 1160, Madison, WI 53715.

“Open Source Jacquard Loom Project—Cardboard Loom.” Retrieved from [http://www.osloom.org/?page\\_id=36](http://www.osloom.org/?page_id=36), pp. 1-2, date accessed Nov. 13, 2017.

\* cited by examiner

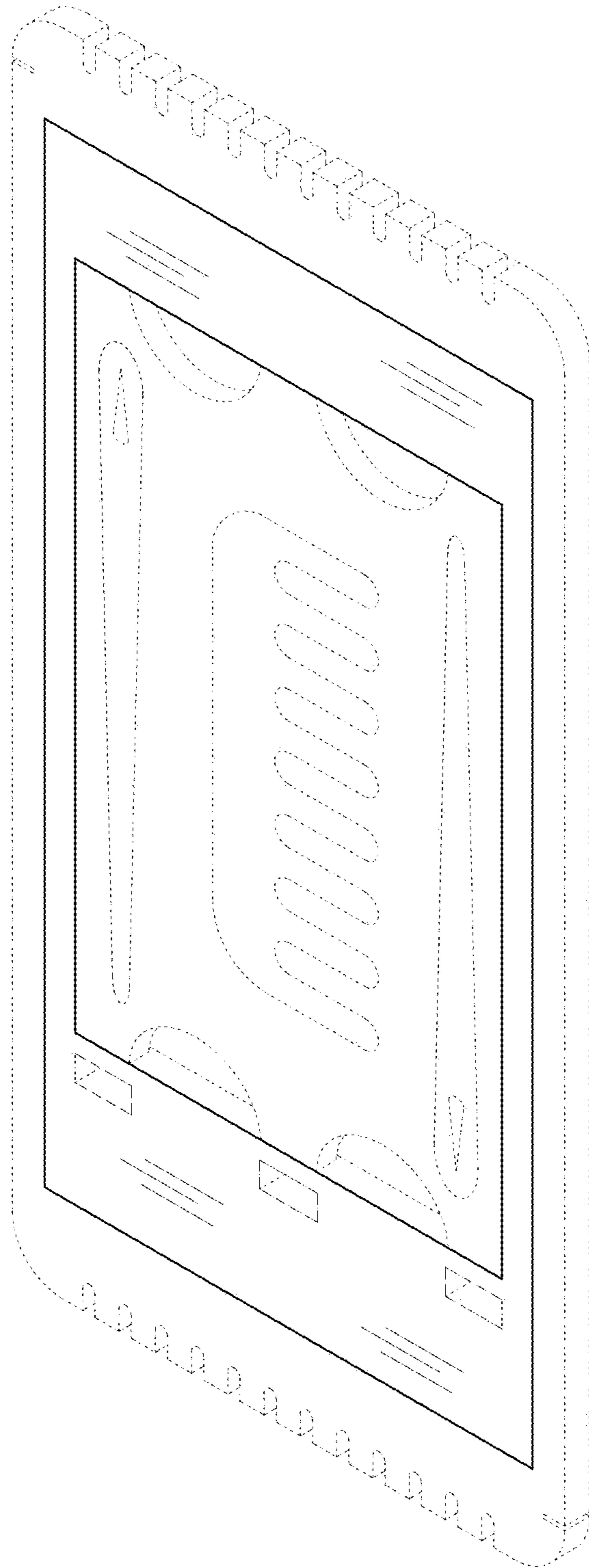


FIG. 1

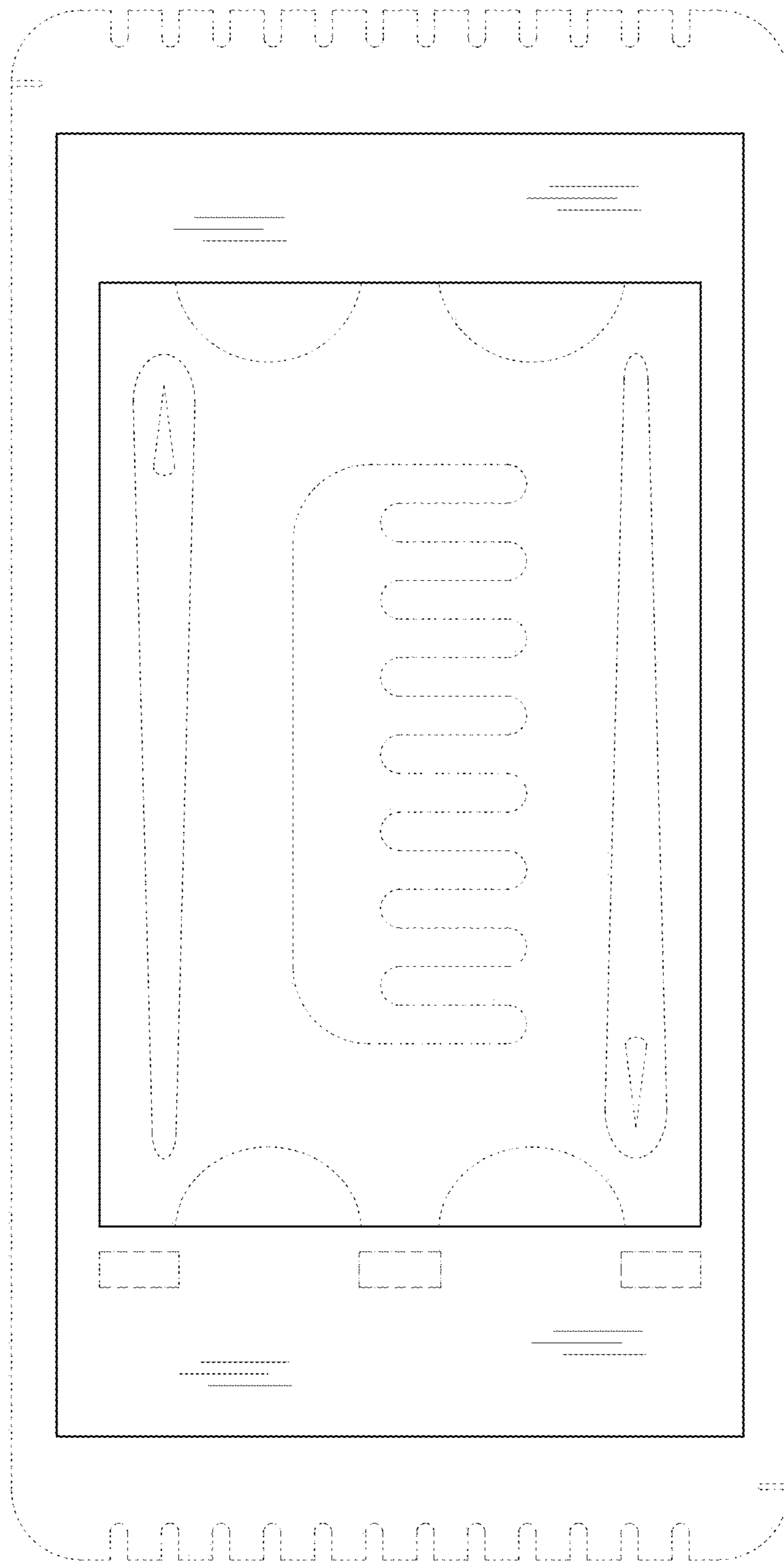


FIG. 2

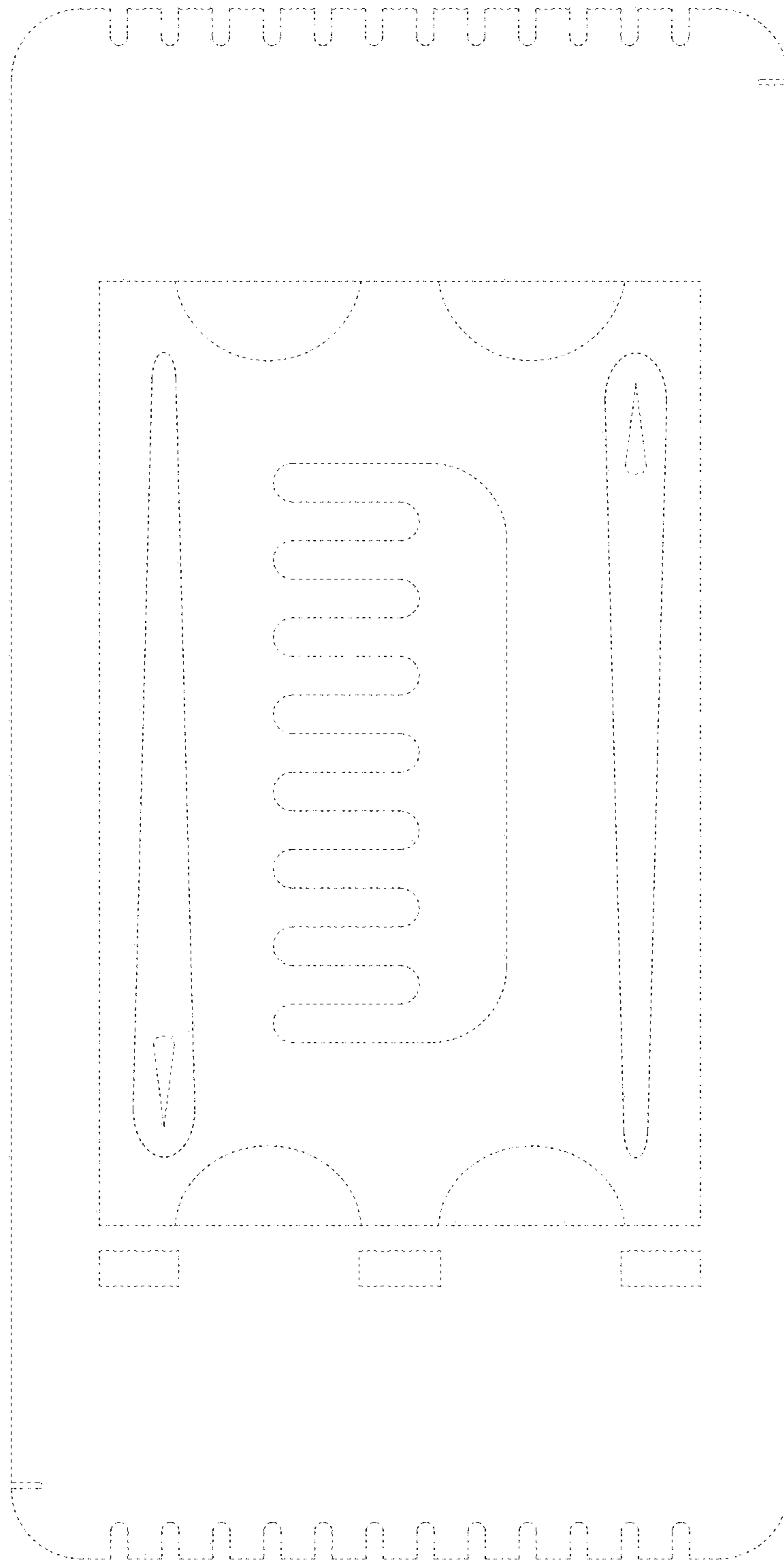


FIG. 3

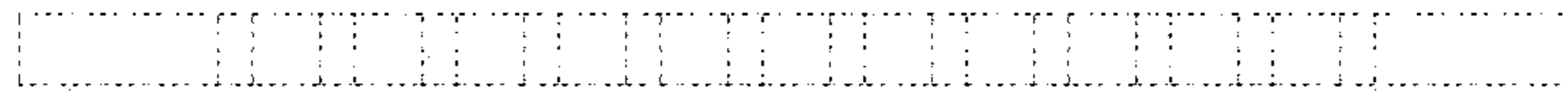


FIG. 4

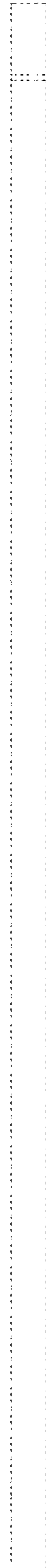


FIG. 5

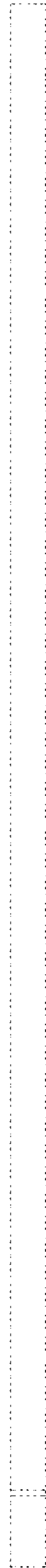


FIG. 6



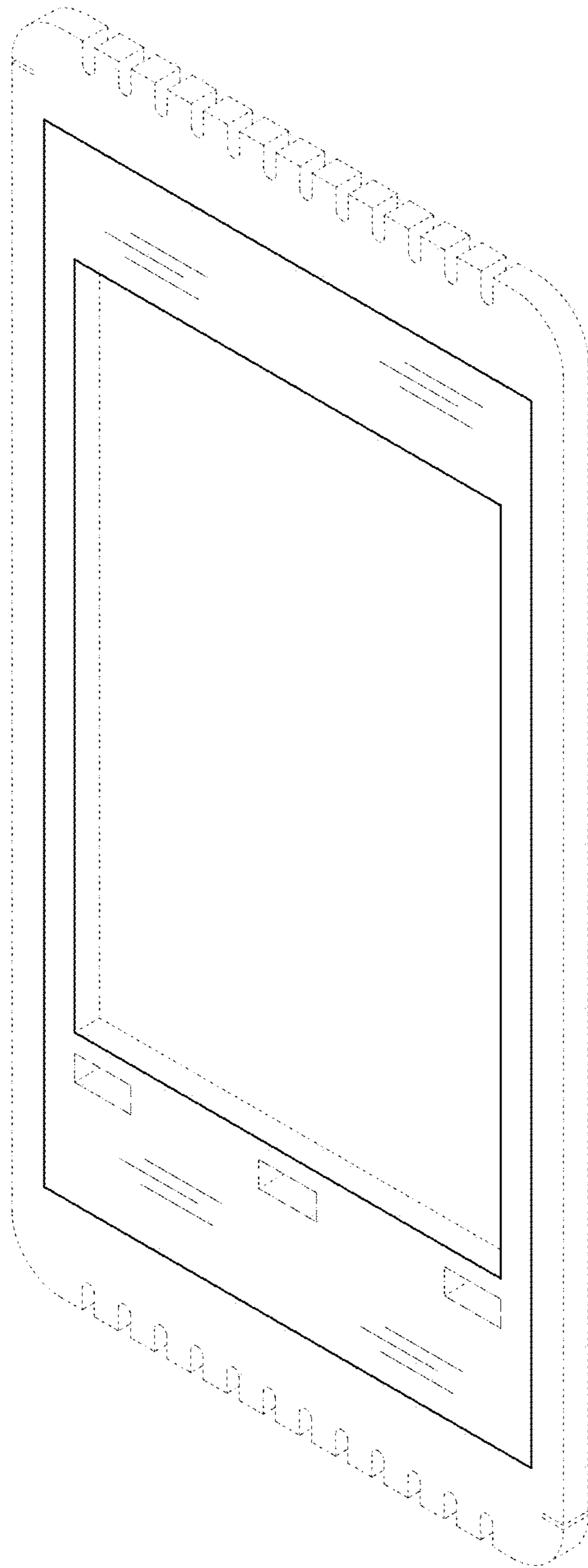


FIG. 7

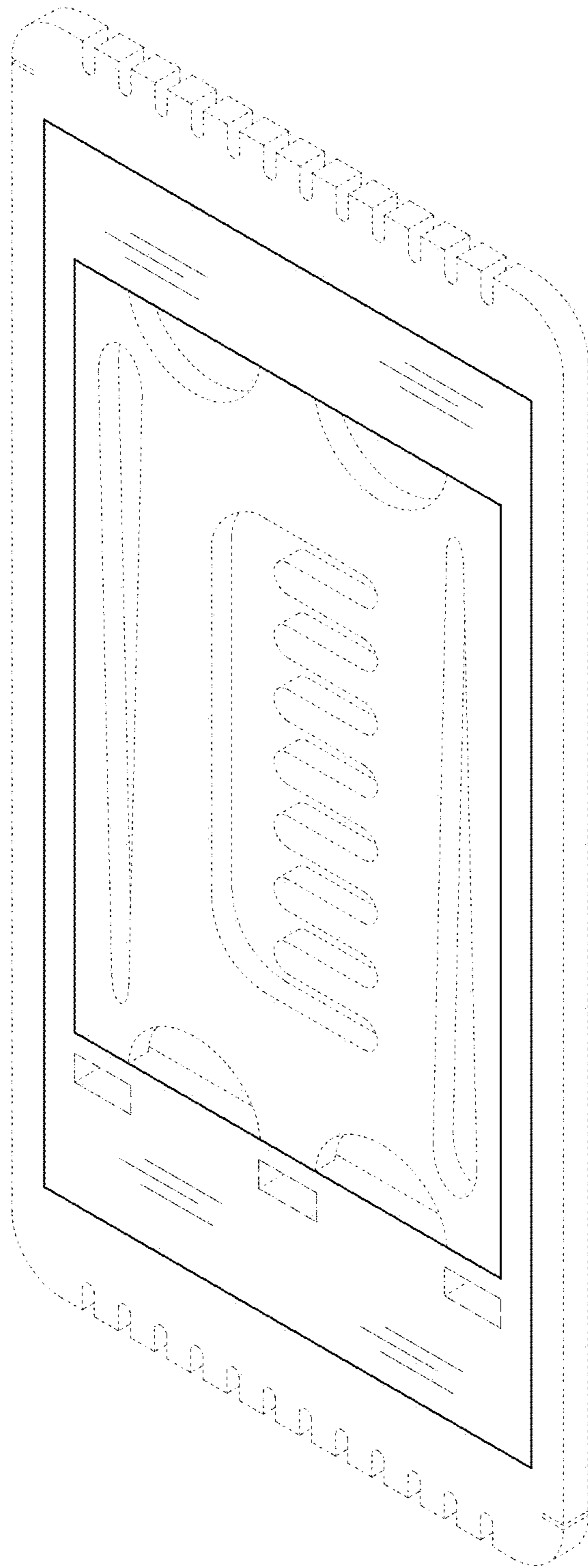


FIG. 8

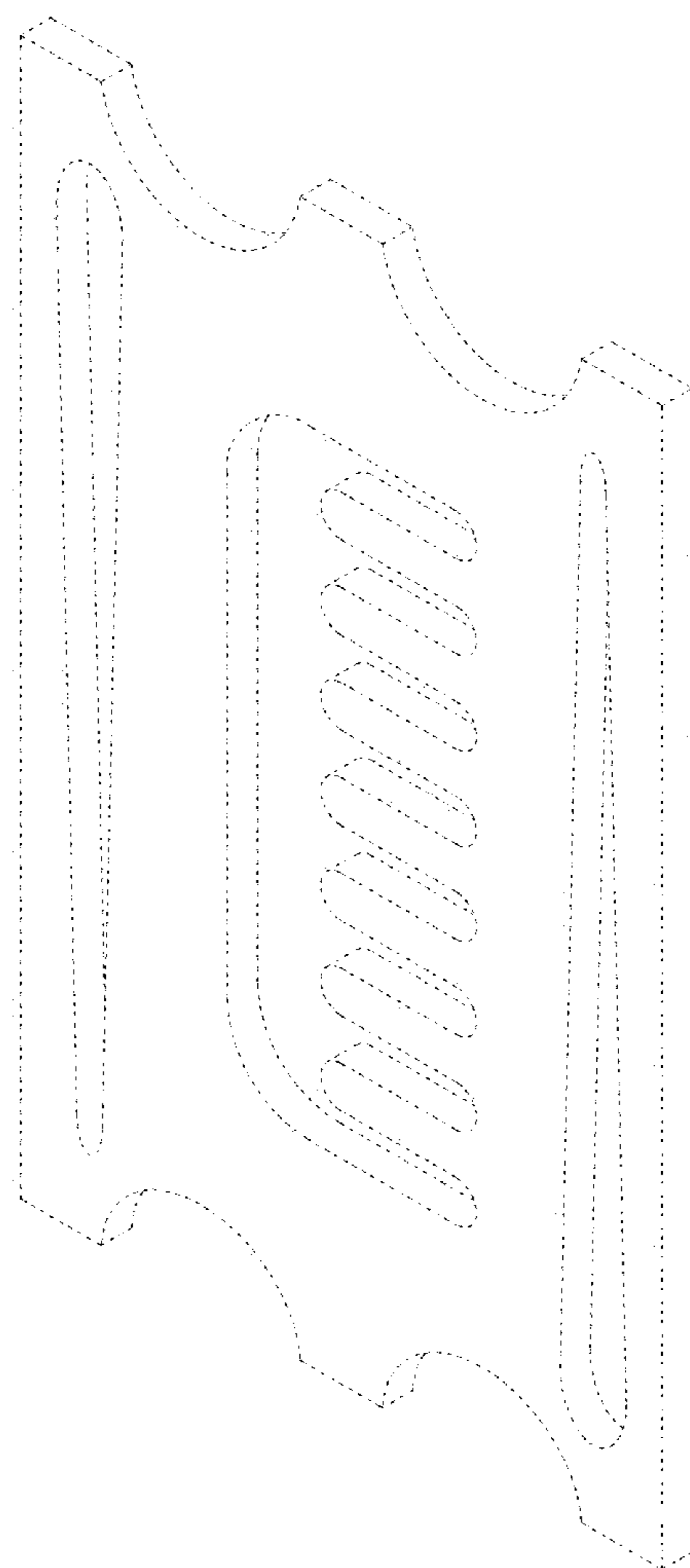


FIG. 9

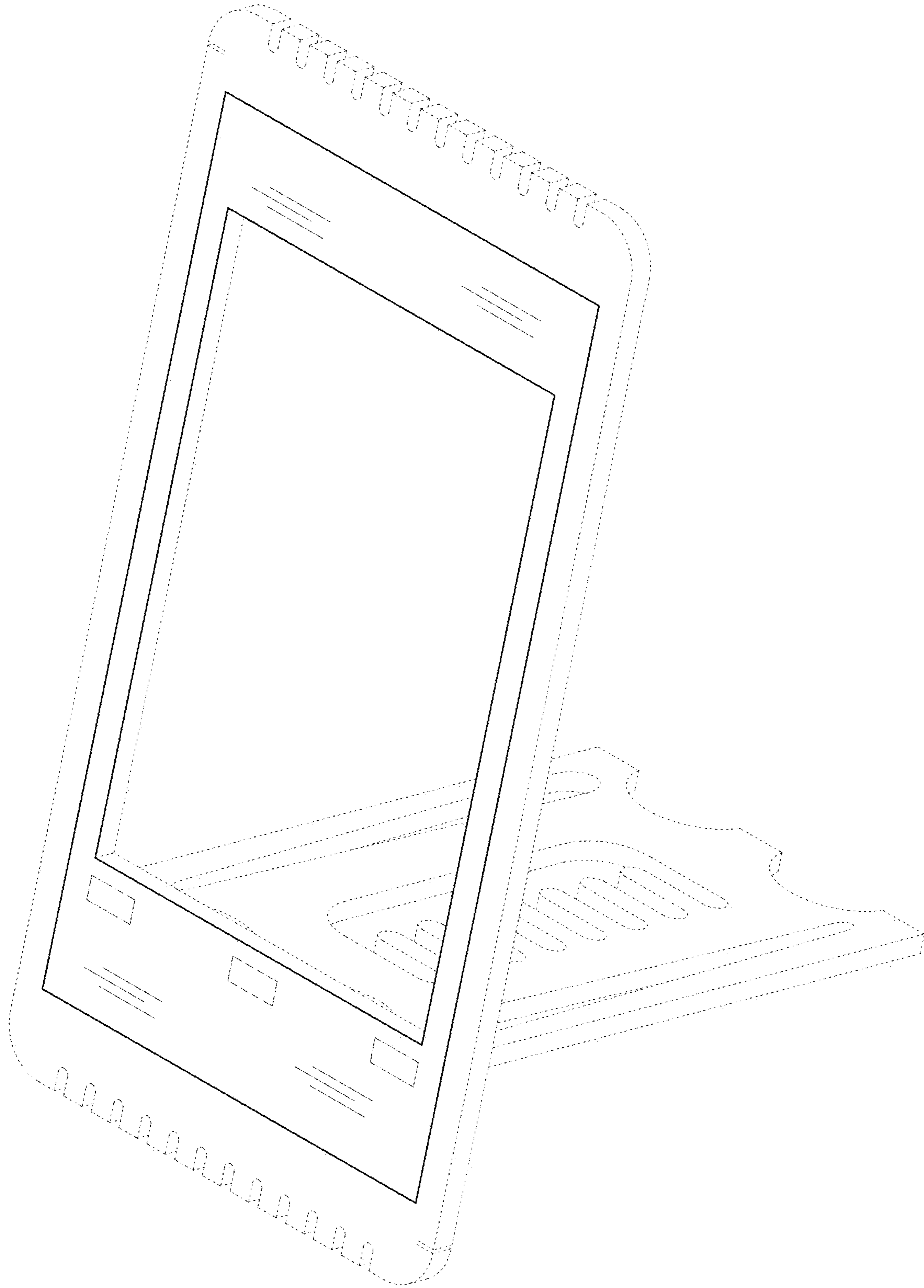


FIG. 10

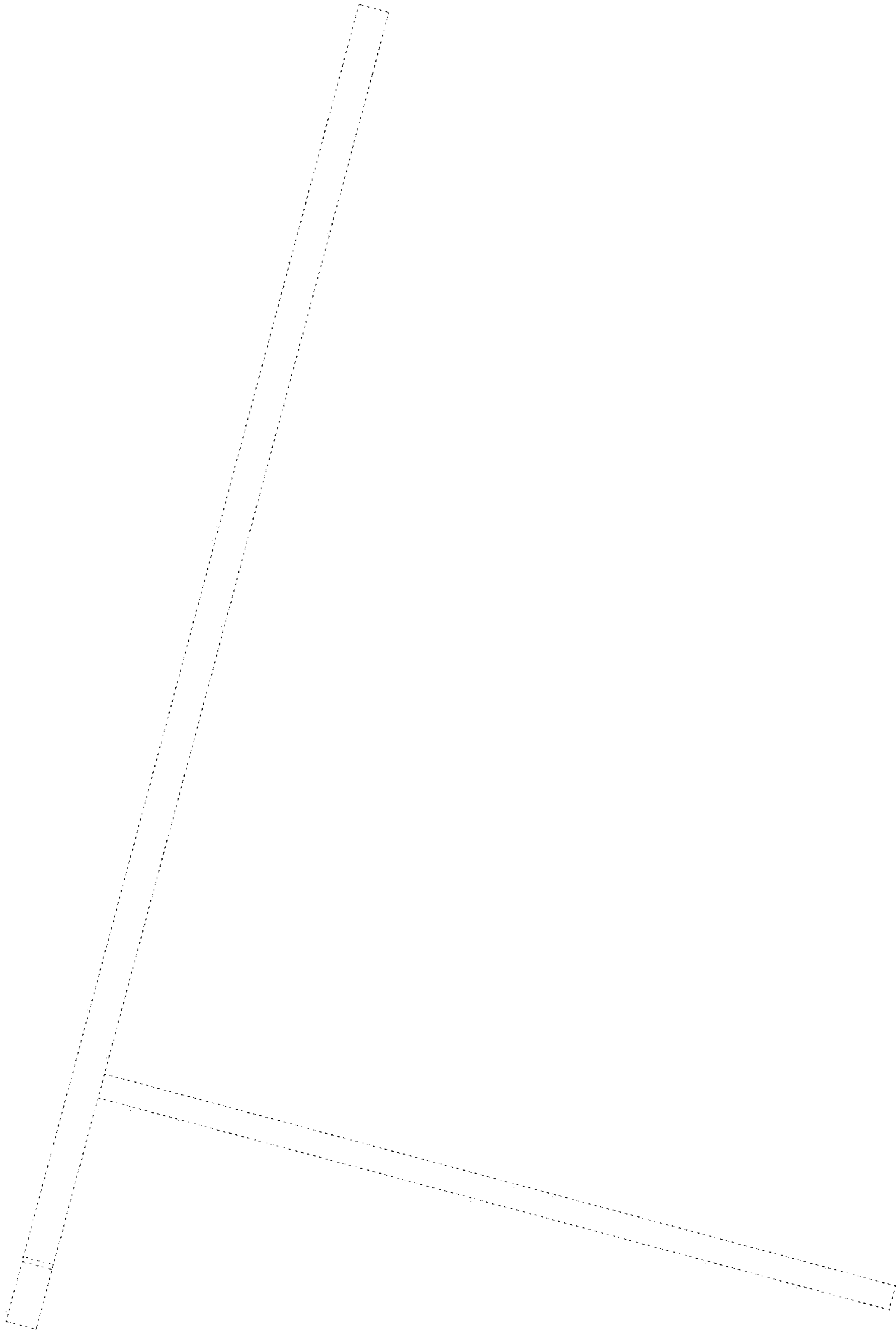


FIG. 11

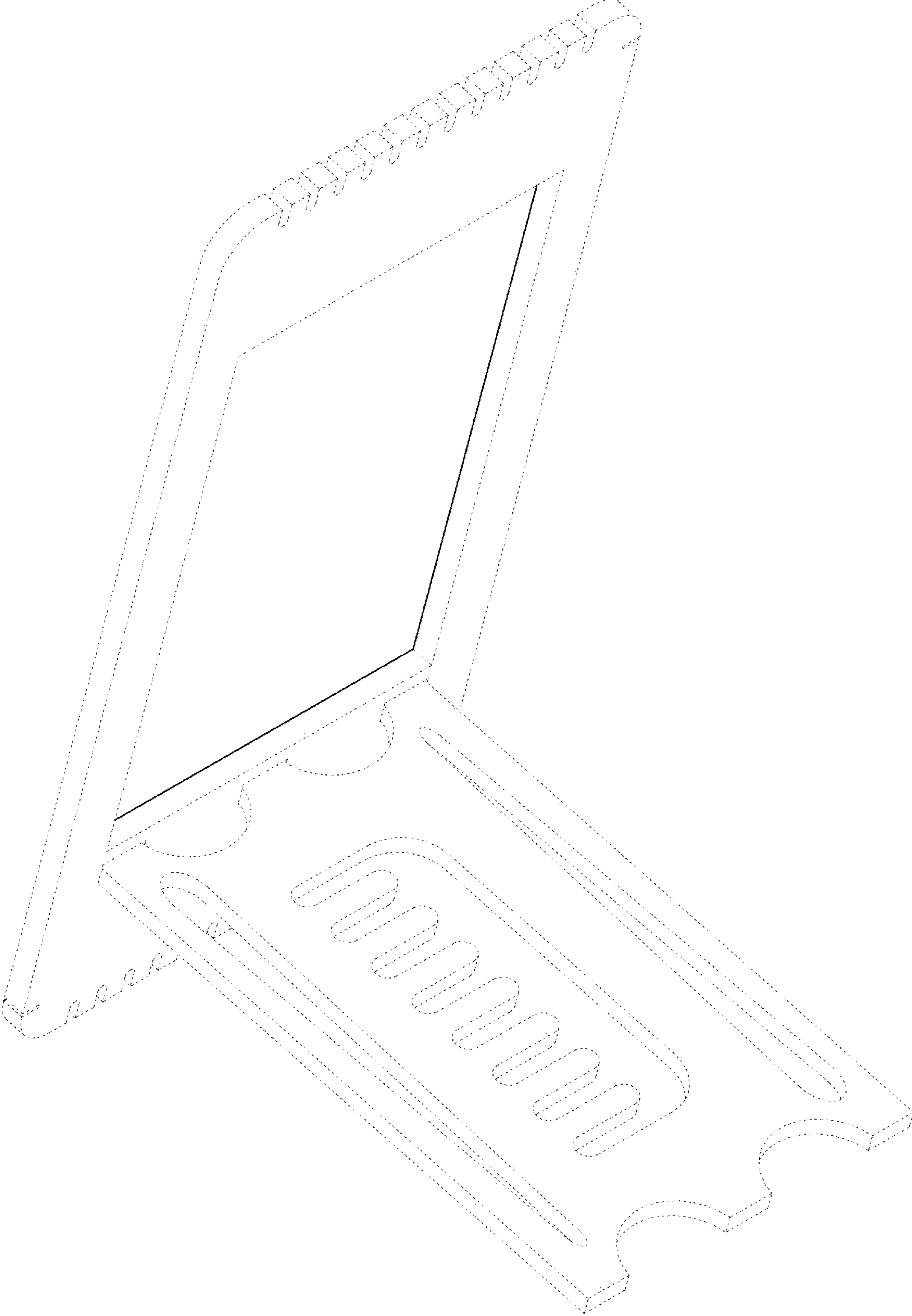


FIG. 12

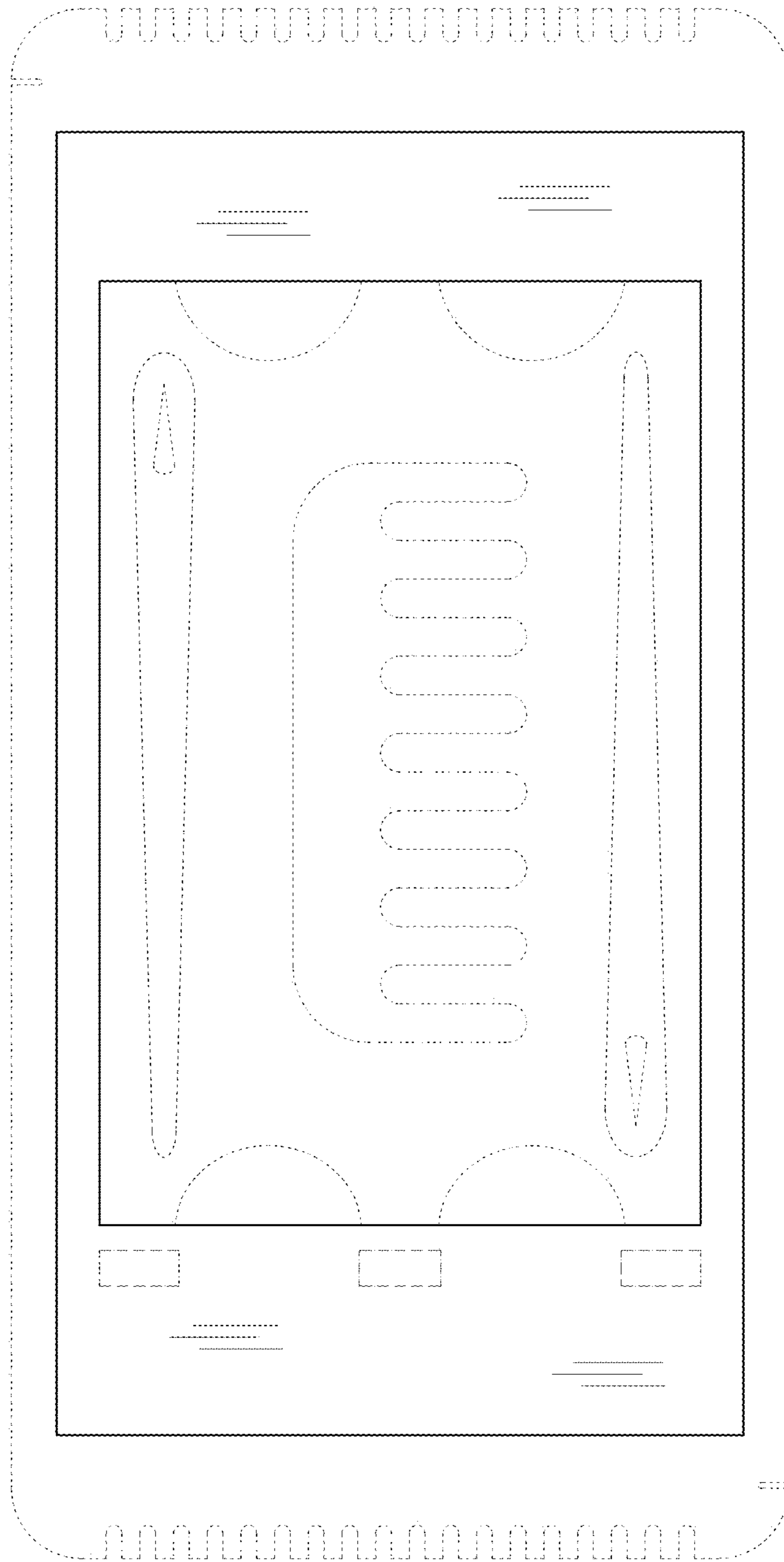


FIG. 13

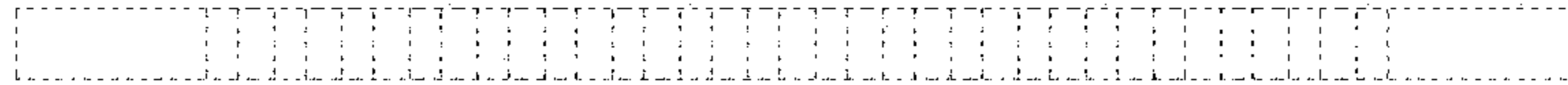


FIG. 14



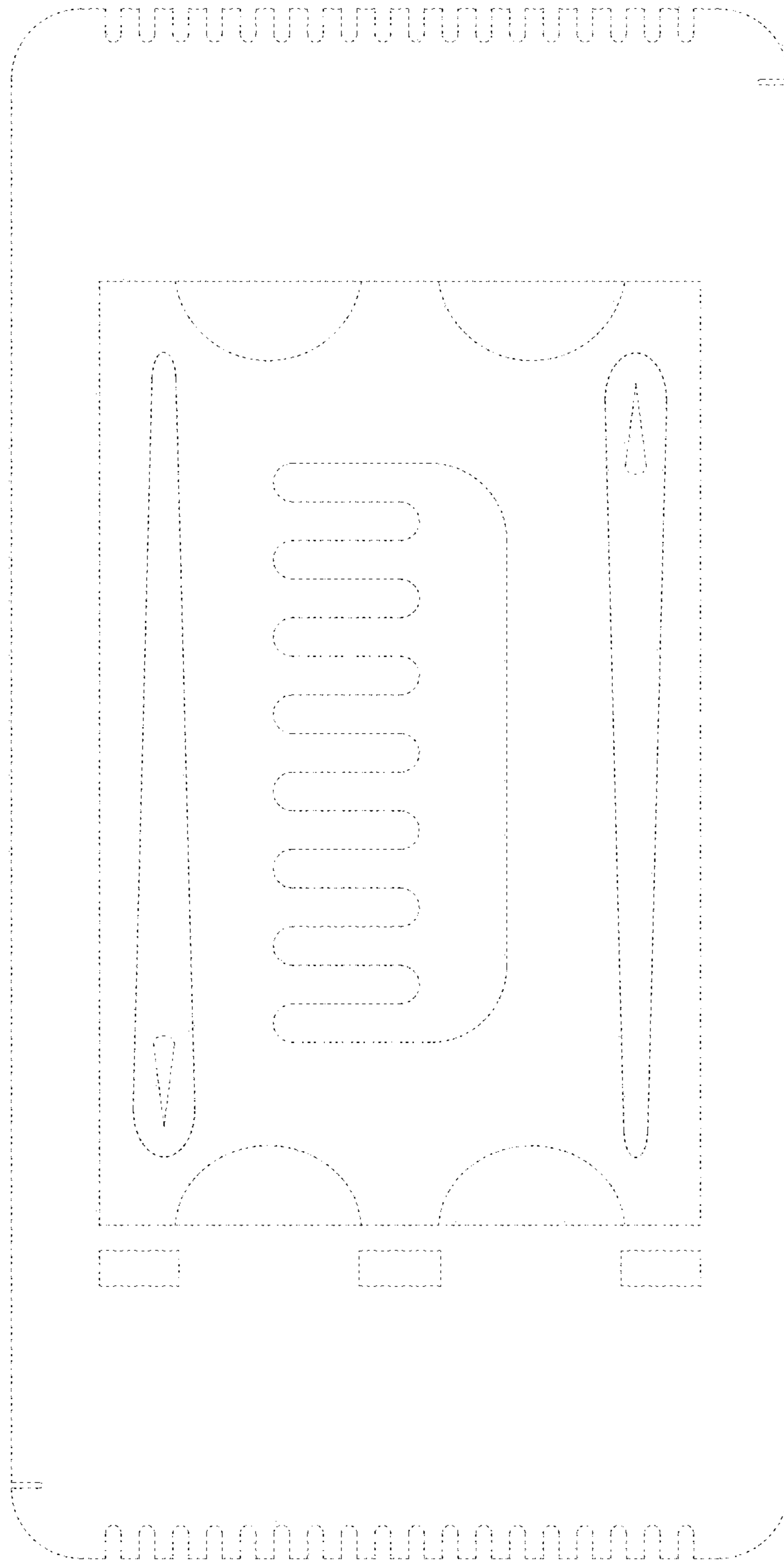


FIG. 15

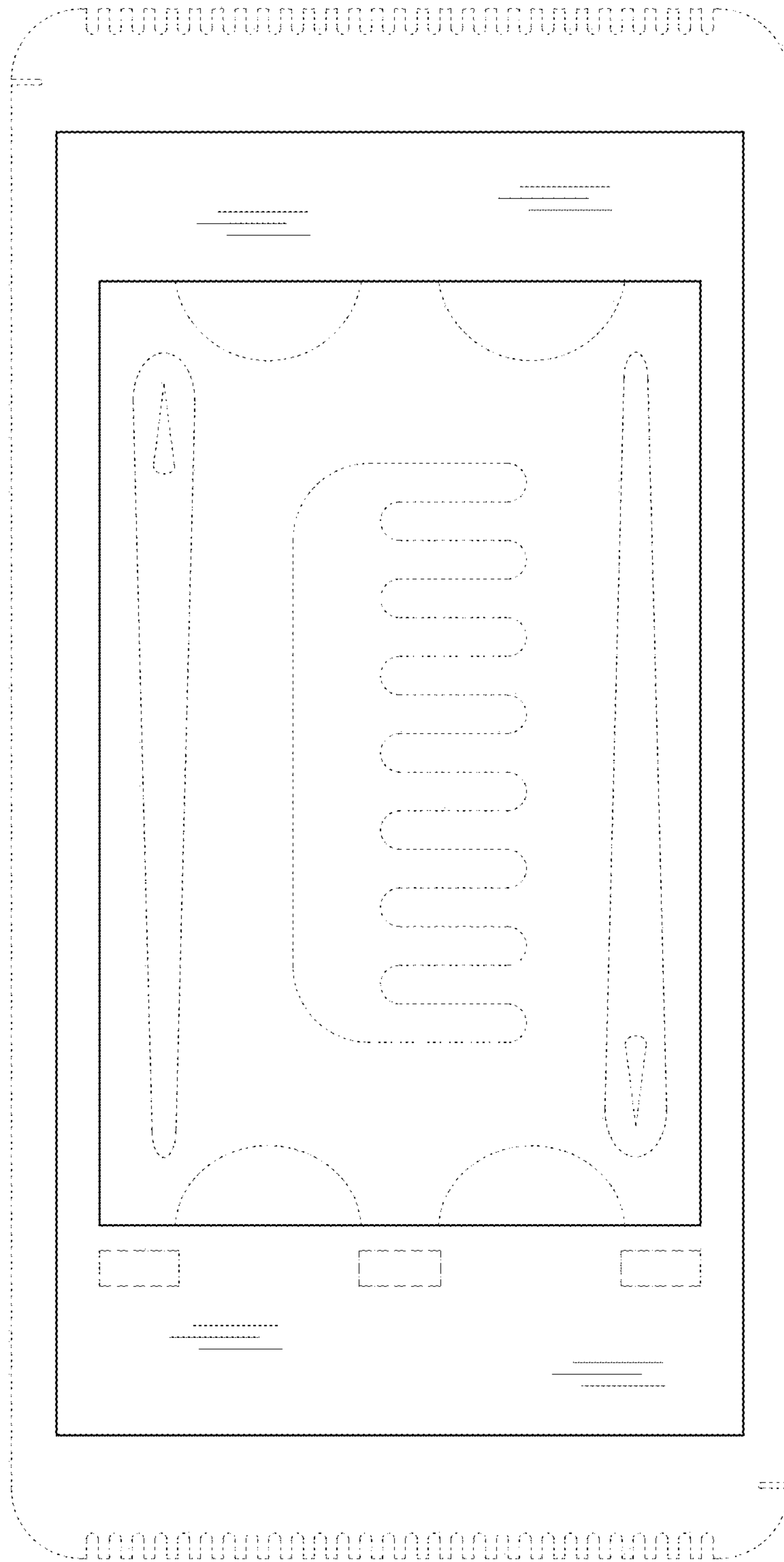


FIG. 16

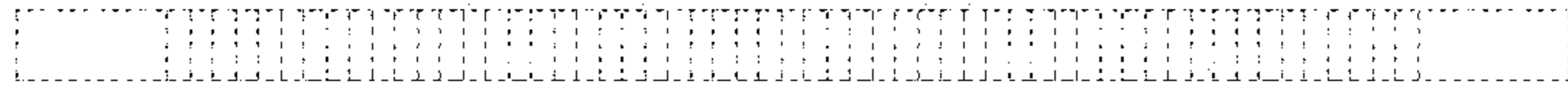


FIG. 17

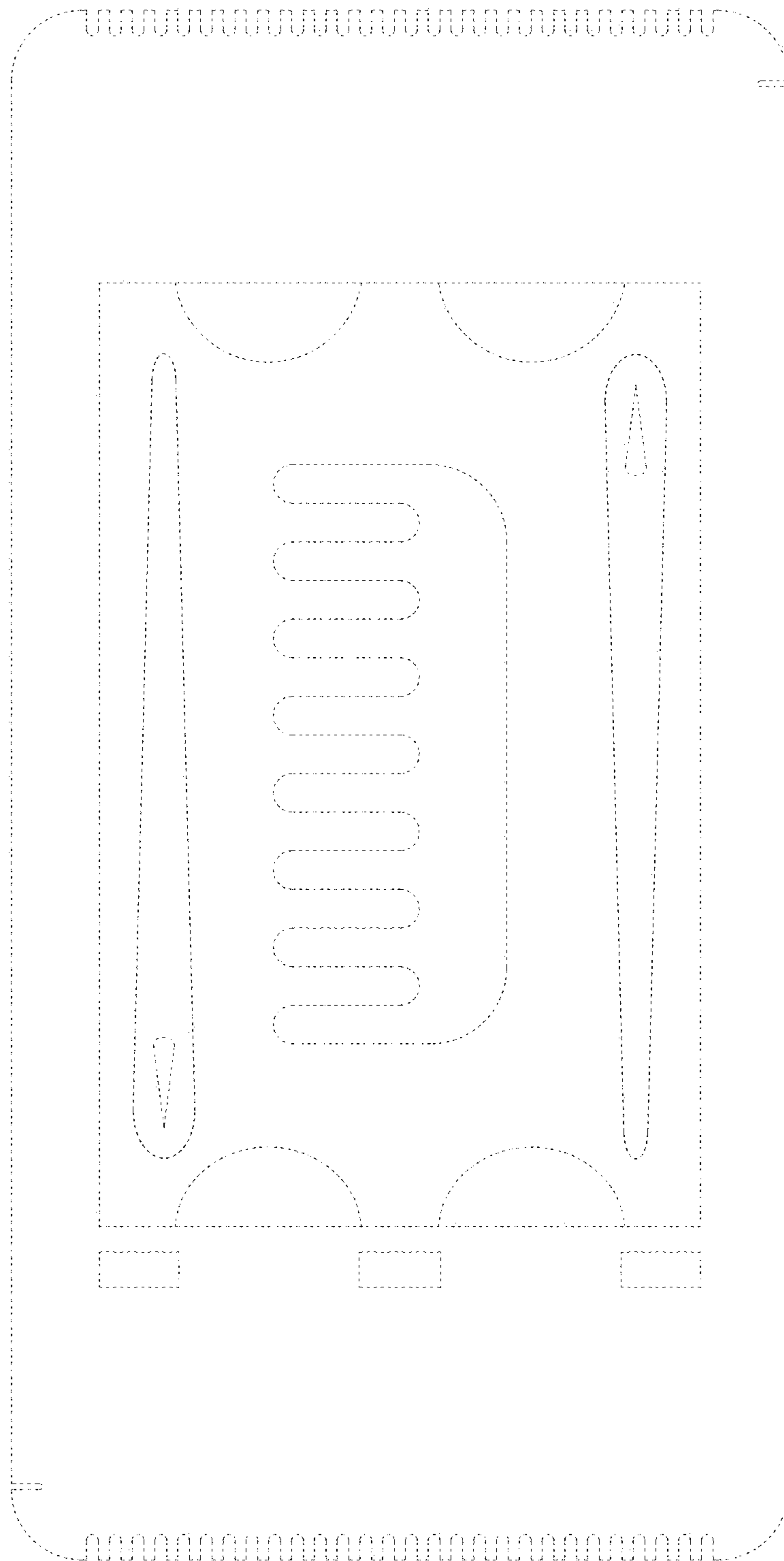


FIG. 18

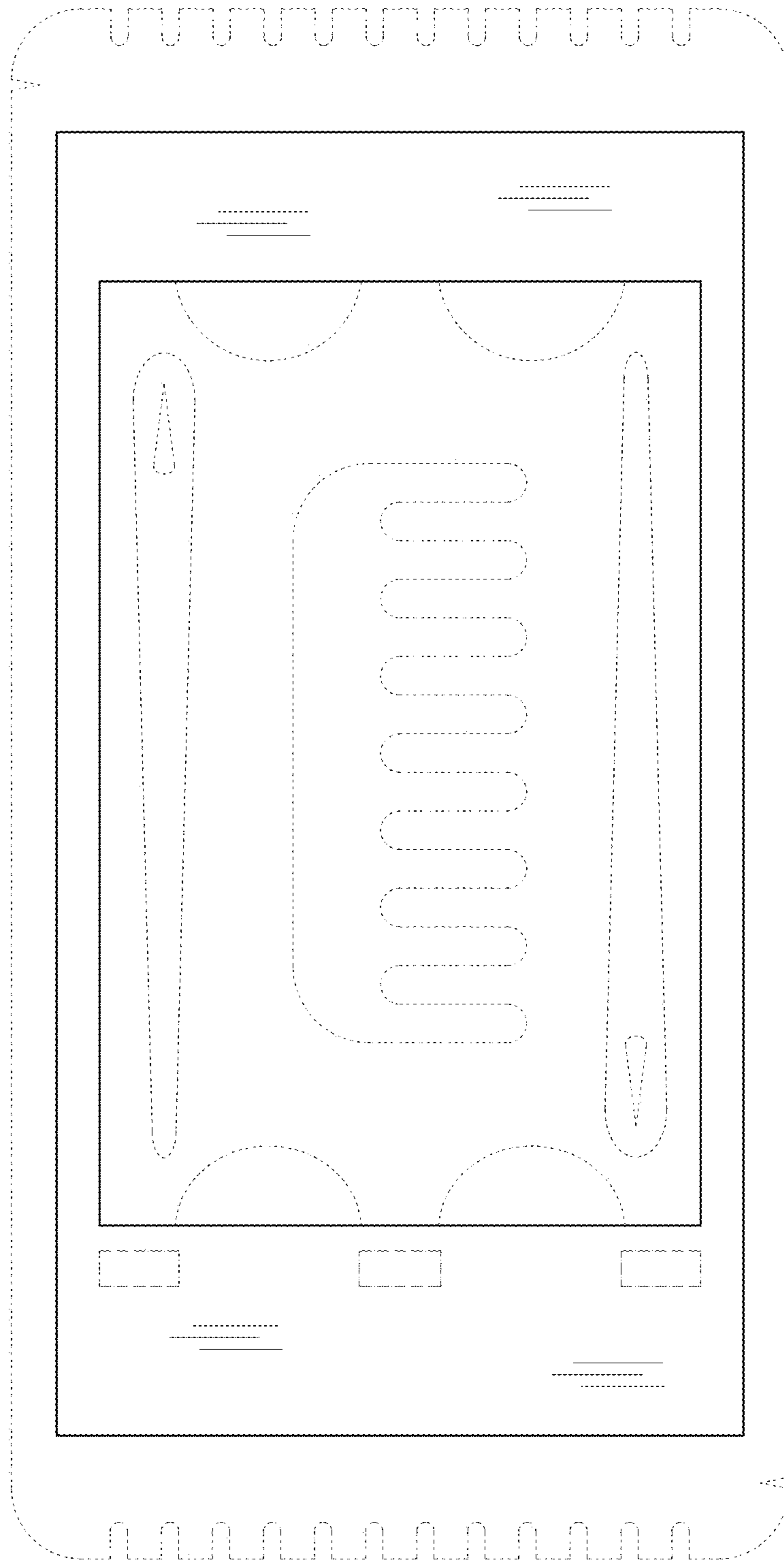


FIG. 19

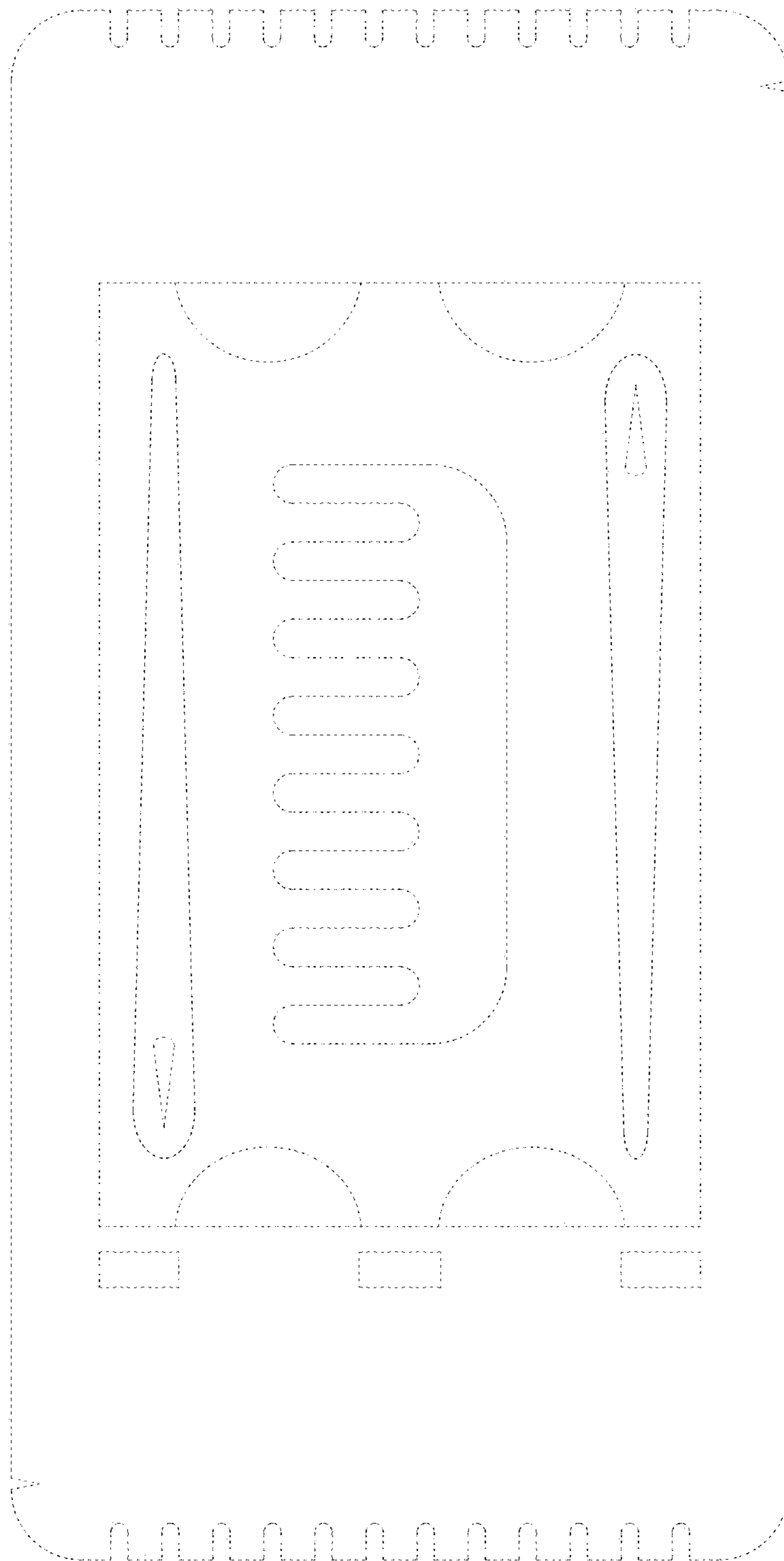


FIG. 20

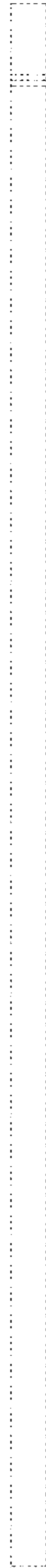


FIG. 21

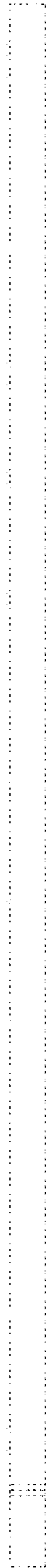


FIG. 22