



US00D909429S

(12) **United States Design Patent** (10) **Patent No.:** **US D909,429 S**  
**Hall et al.** (45) **Date of Patent:** **\*\* Feb. 2, 2021**

(54) **UPPER SECTION OF AN EXCAVATOR  
 BUCKET**

D299,723 S \* 2/1989 Frawley ..... D15/32  
 D308,528 S \* 6/1990 Harr ..... D15/32  
 D324,054 S \* 2/1992 Smith ..... D15/28

(Continued)

(71) Applicant: **Austin Engineering Limited**, Milton  
 (AU)

**FOREIGN PATENT DOCUMENTS**

(72) Inventors: **Jamie Vincent Clarke Hall**,  
 Kalamunda (AU); **Lyndon Brian  
 Greeshaw**, Yokine (AU)

WO 2018213883 A1 11/2018

**OTHER PUBLICATIONS**

(73) Assignee: **Austin Engineering Limited**

Hall, JVC et al., "Excavator Bucket," Design U.S. Appl. No.  
 29/719,364, filed Jan. 3, 2020.

(\*\*) Term: **15 Years**

(Continued)

(21) Appl. No.: **29/719,368**

*Primary Examiner* — Mark A Goodwin

(22) Filed: **Jan. 3, 2020**

(74) *Attorney, Agent, or Firm* — Lerner, David,  
 Littenberg, Krumholz & Mentlik, LLP

(30) **Foreign Application Priority Data**

(57) **CLAIM**

Jul. 3, 2019 (AU) ..... 201913728  
 Jul. 3, 2019 (AU) ..... 201913729

The ornamental design for an upper section of an excavator  
 bucket, as shown and described.

**DESCRIPTION**

(51) **LOC (13) Cl.** ..... **15-03**

(52) **U.S. Cl.**  
 USPC ..... **D15/32**

(58) **Field of Classification Search**  
 USPC ..... D15/28, 29, 32  
 CPC ..... E02F 3/40; E02F 3/96; E02F 3/04; E02F  
 3/962; E02F 3/404; E02F 3/401; E02F  
 9/24; E02F 9/28; B65G 2812/02742;  
 B65G 17/36

The present application is also related to U.S. Design  
 application Ser. No. 29/719,364, U.S. Design application  
 Ser. No. 29/719,367, and U.S. Design application Ser. No.  
 29/719,366, all of which are concurrently filed herewith, and  
 the disclosures all of which are incorporated herein by  
 reference.

FIG. 1 is an upper perspective rear view of an upper section  
 of an excavator bucket according to our design;  
 FIG. 2 is a lower perspective front view thereof;  
 FIG. 3 is a front view thereof;  
 FIG. 4 is a top plan view thereof;  
 FIG. 5 is a rear view thereof; and,  
 FIG. 6 is a right side view thereof, the left side view being  
 a mirror image thereof.

The broken lines shown in the drawings are for the purpose  
 of illustrating environmental structure that forms no part of  
 the claimed design.

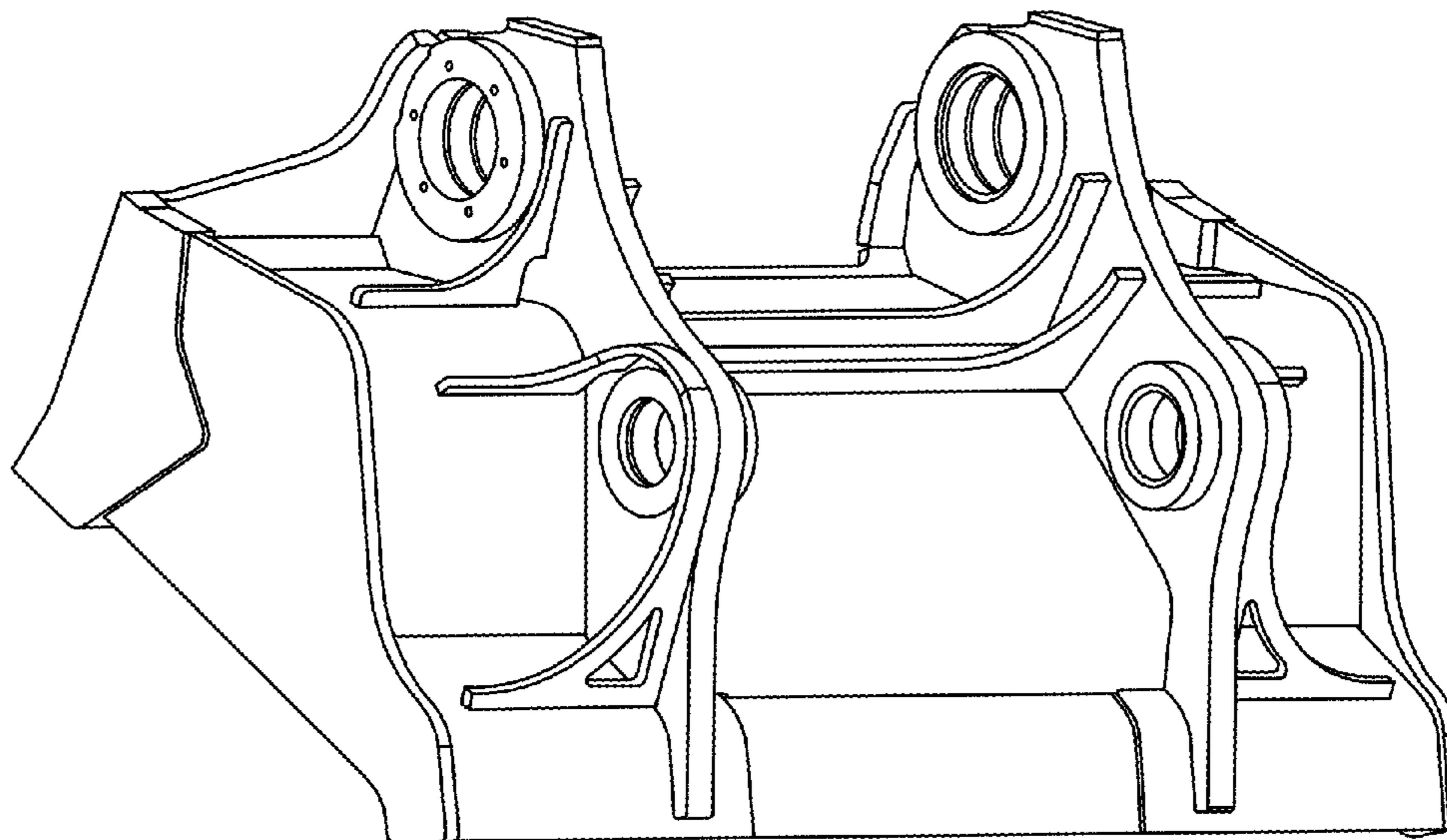
See application file for complete search history.

(56) **References Cited**

**U.S. PATENT DOCUMENTS**

1,001,289 A \* 8/1911 McKee et al. .... E02F 3/40  
 37/444  
 1,077,486 A \* 11/1913 McKee ..... E02F 3/40  
 37/444  
 1,479,340 A \* 1/1924 Trainor ..... E02F 3/40  
 37/444

**1 Claim, 6 Drawing Sheets**



(56)

**References Cited**

U.S. PATENT DOCUMENTS

D326,859	S *	6/1992	Cody .....	D15/28
5,526,591	A *	6/1996	Otwell .....	E02F 3/40
				37/379
5,813,822	A *	9/1998	Pisco .....	E02F 3/3622
				294/104
D440,983	S *	4/2001	Miller .....	D15/28
D469,786	S *	2/2003	Miller .....	D15/24
D524,826	S *	7/2006	Boyapally .....	D15/29
D551,684	S *	9/2007	McClallen .....	D15/32
D593,848	S *	6/2009	Balemi .....	D15/28
D616,469	S *	5/2010	Ballinger .....	D15/32
D669,919	S *	10/2012	Attwood .....	D15/32
D766,995	S *	9/2016	Annetts .....	D15/32
D821,456	S *	6/2018	Nye .....	D15/32
D867,405	S *	11/2019	Edavankattil .....	D15/32
D875,791	S *	2/2020	Edavankattil .....	D15/32
D881,239	S *	4/2020	Gregory .....	D15/32
2006/0182590	A1 *	8/2006	McFarland .....	E02F 3/40
				414/685
2014/0230293	A1 *	8/2014	Lunn .....	E02F 3/40
				37/444
2014/0237869	A1 *	8/2014	Caux .....	E02F 3/40
				37/444

OTHER PUBLICATIONS

Hall, JVC et al., "Excavator Bucket," Design U.S. Appl. No. 29/719,366 filed Jan. 3, 2020.  
 Hall, JVC et al., "Upper Section of an Excavator Bucket," Design U.S. Appl. No. 29/719,367, filed Jan. 3, 2020.

\* cited by examiner

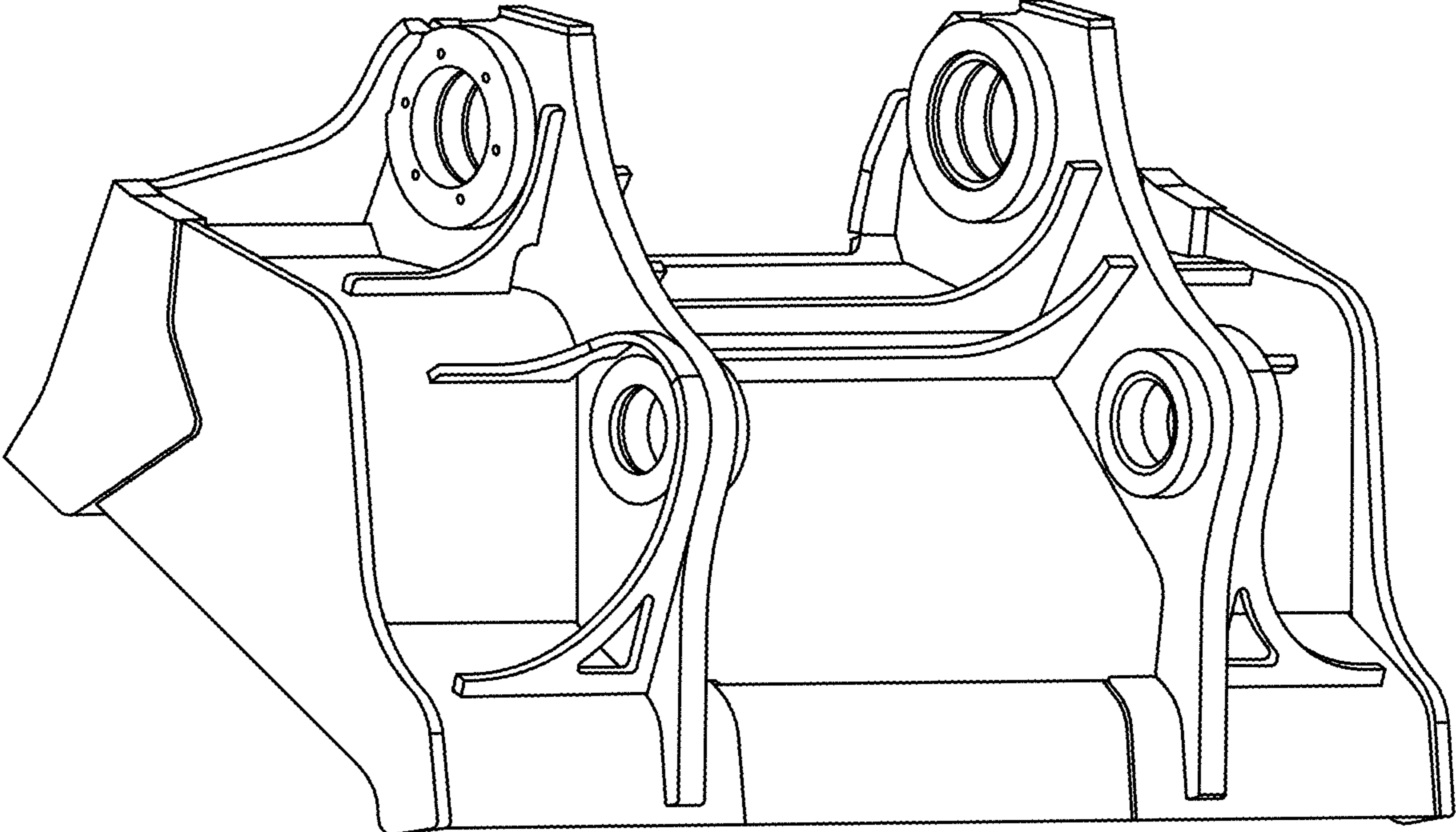


FIG. 1

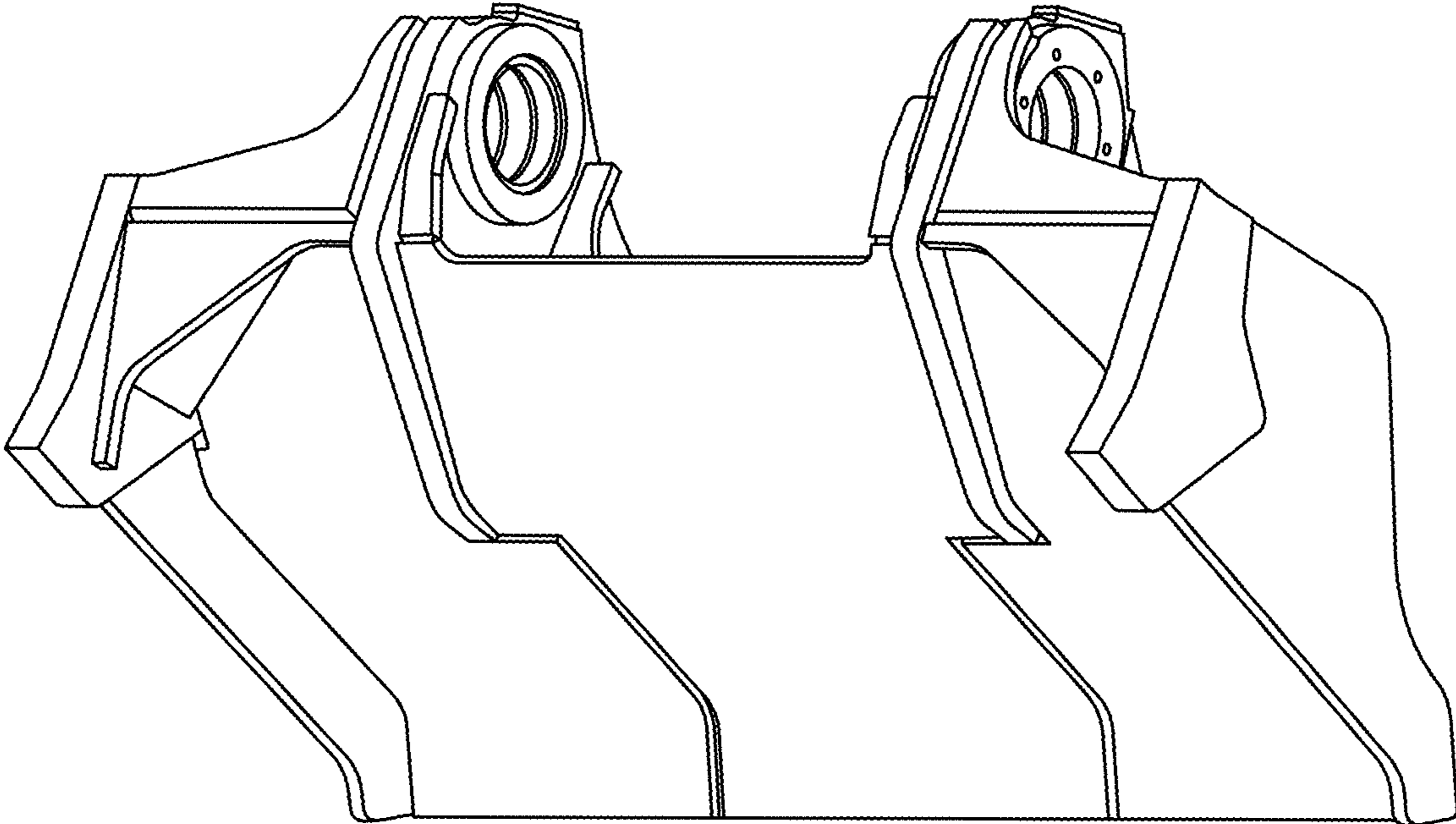


FIG. 2

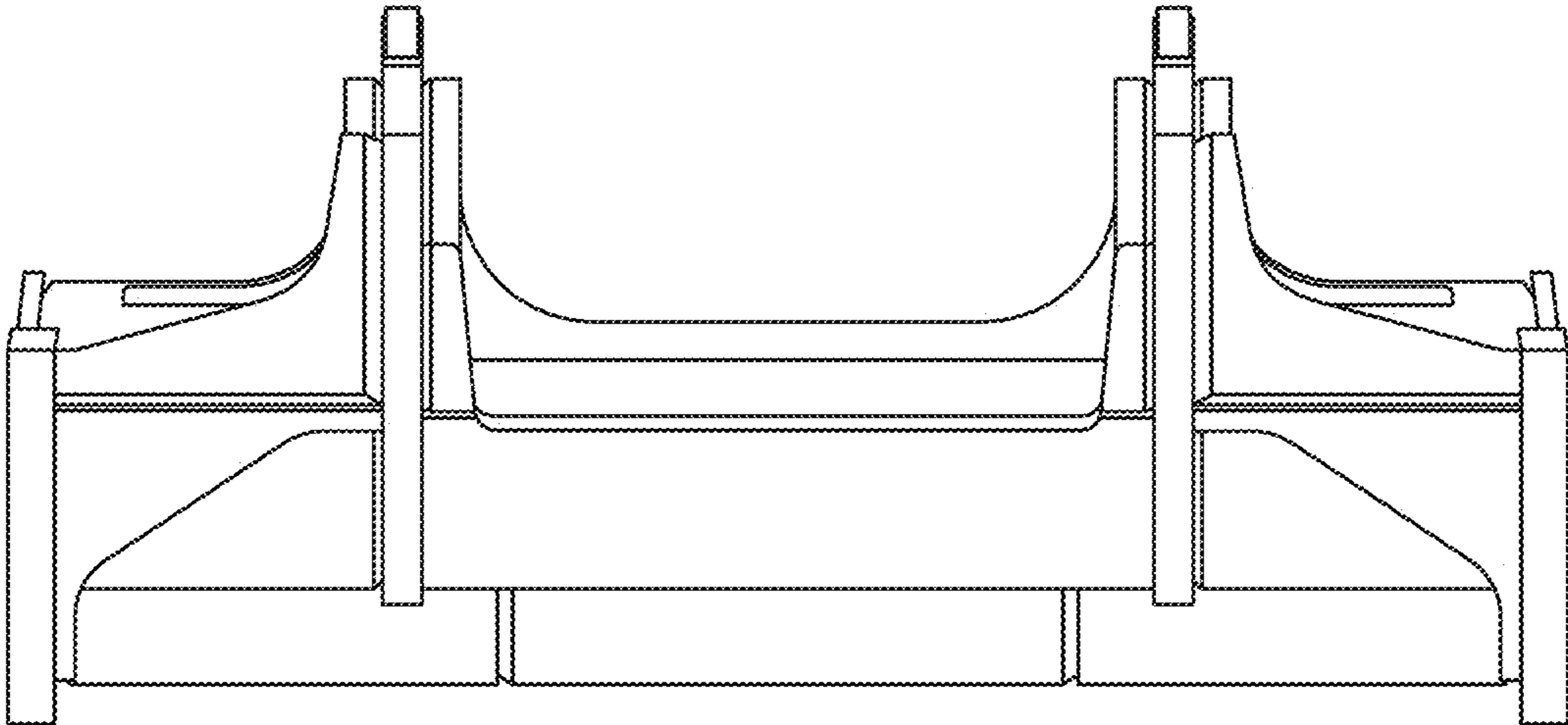


FIG. 3

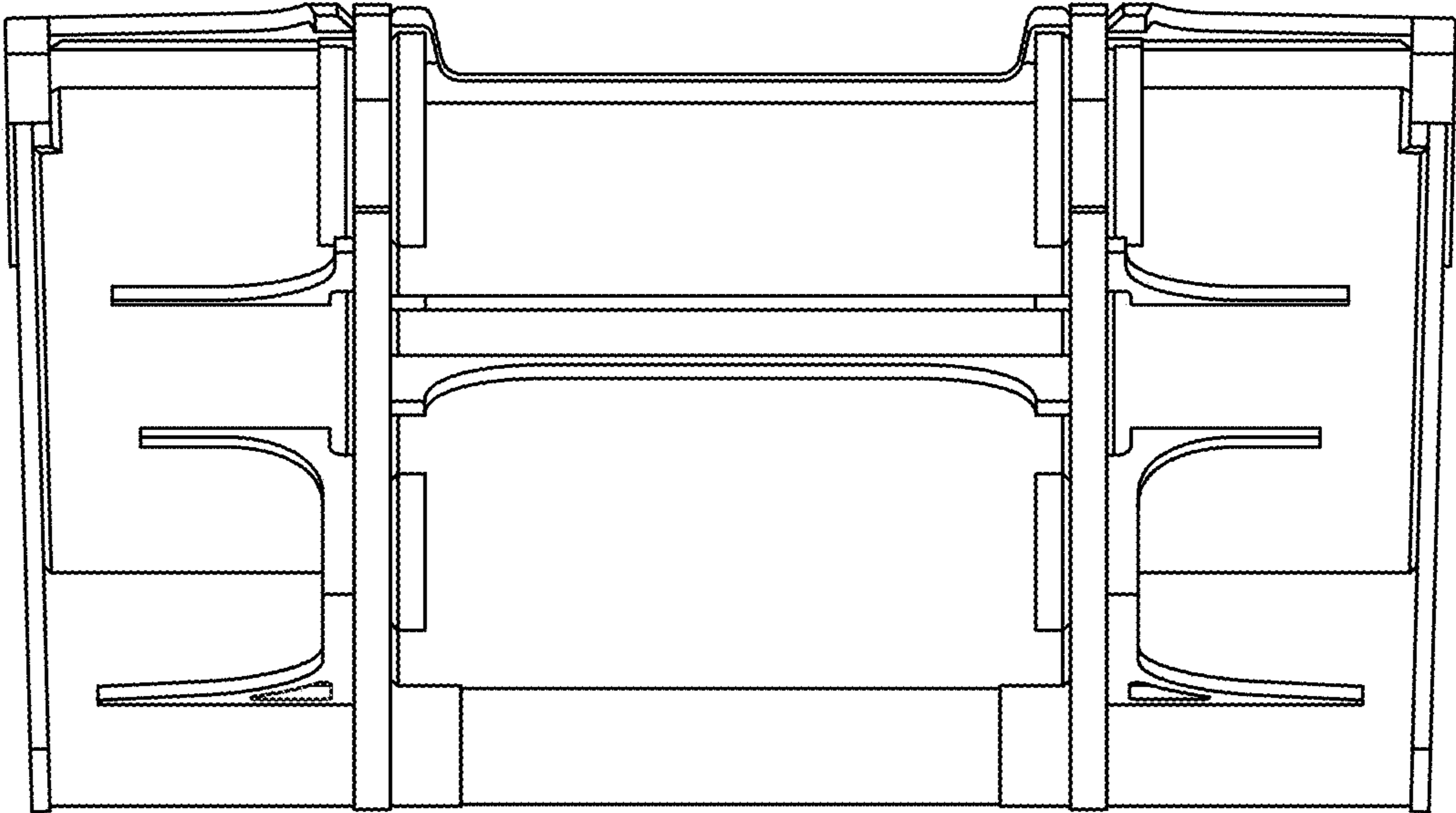


FIG. 4

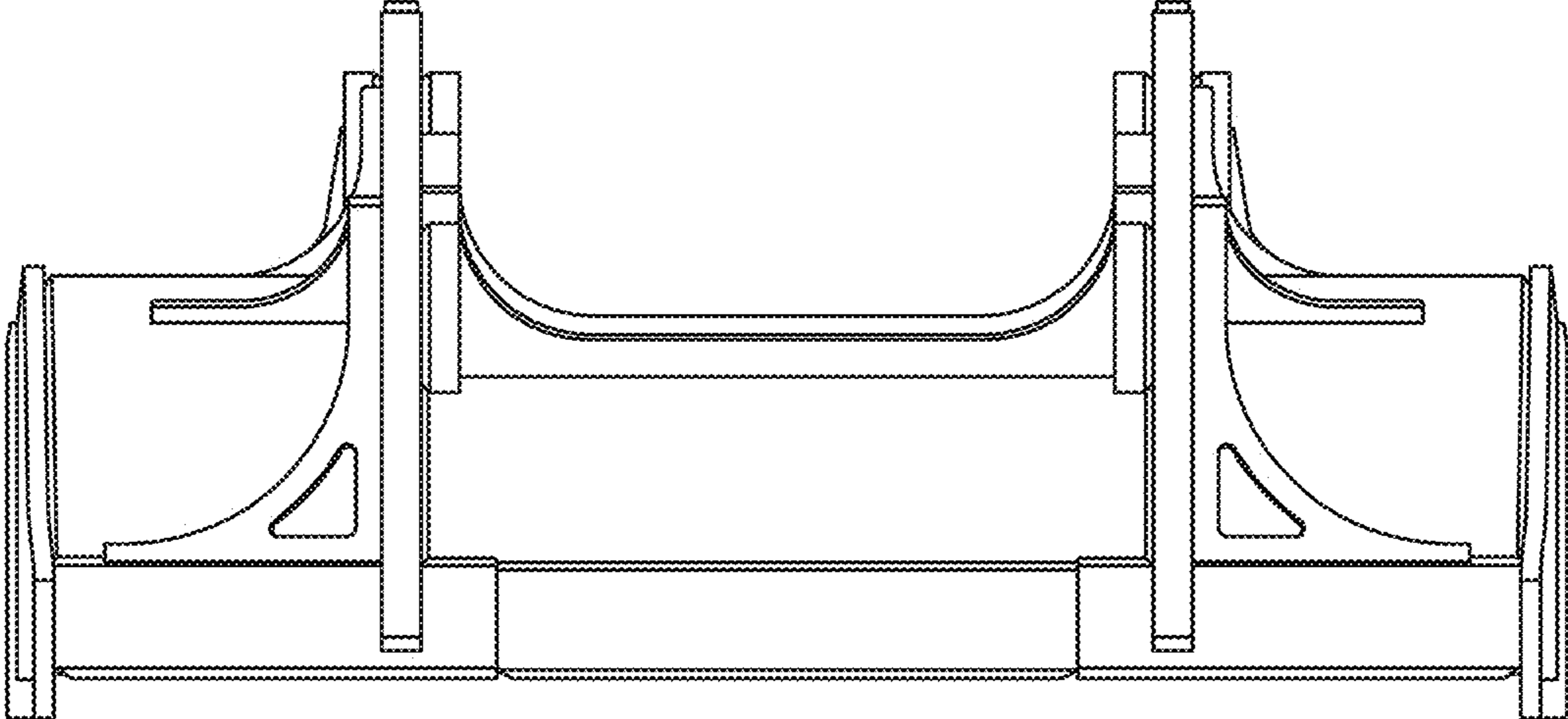


FIG. 5

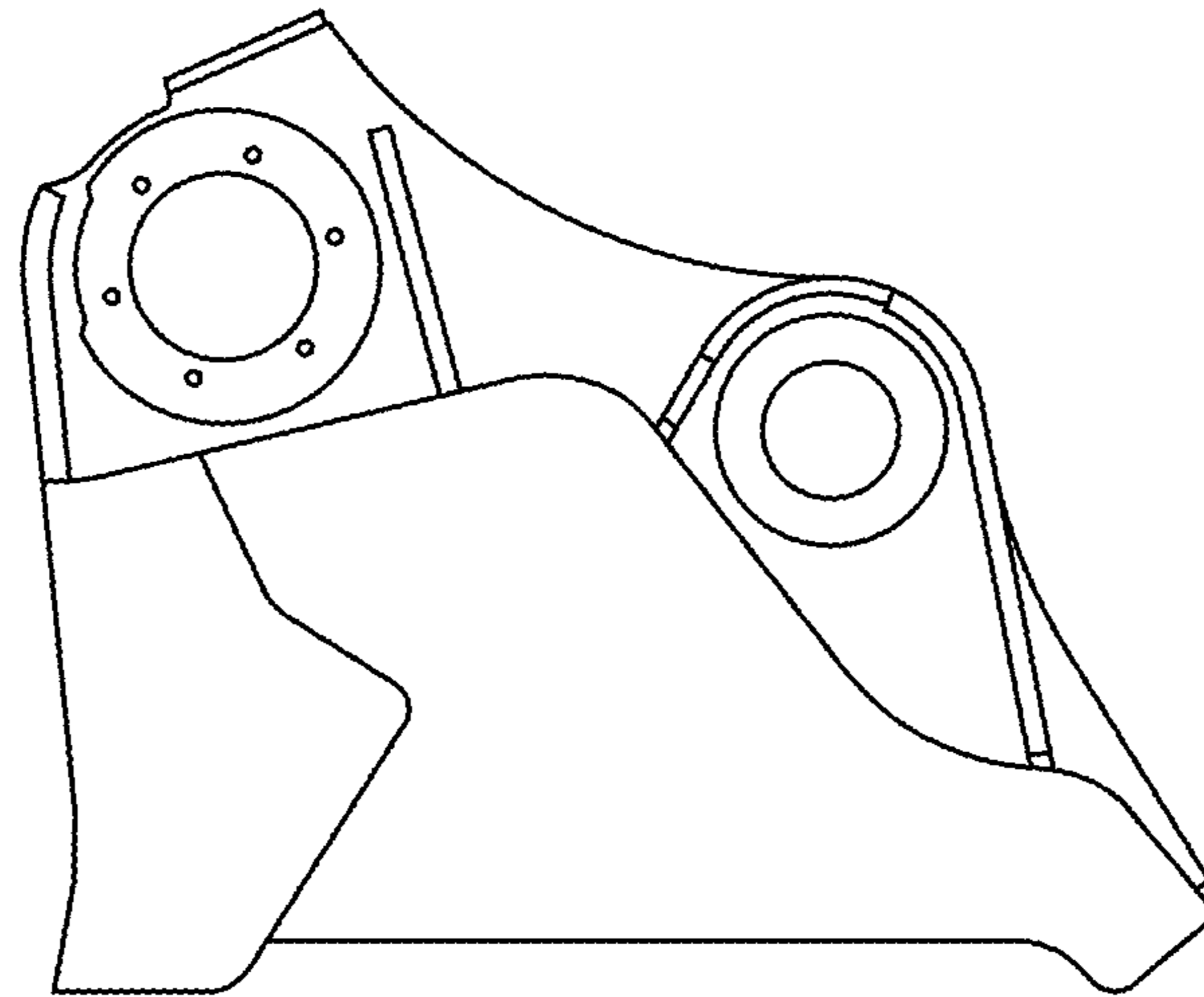


FIG. 6