



US00D909428S

(12) **United States Design Patent**
Hall et al.

(10) **Patent No.:** **US D909,428 S**

(45) **Date of Patent:** **** Feb. 2, 2021**

(54) **UPPER SECTION OF AN EXCAVATOR
BUCKET**

D299,723 S * 2/1989 Frawley D15/32
D308,528 S * 6/1990 Harr D15/32
D324,054 S * 2/1992 Smith D15/28

(Continued)

(71) Applicant: **Austin Engineering Limited**, Milton
(AU)

FOREIGN PATENT DOCUMENTS

(72) Inventors: **Jamie Vincent Clarke Hall**,
Kalamunda (AU); **Lyndon Brian
Greeshaw**, Yokine (AU)

WO 2018213883 A1 11/2018

(73) Assignee: **Austin Engineering Limited**

Hall, JVC et al., "Excavator Bucket," Design U.S. Appl. No.
29/719,364, filed Jan. 3, 2020.

(**) Term: **15 Years**

(Continued)

(21) Appl. No.: **29/719,367**

Primary Examiner — Mark A Goodwin

(22) Filed: **Jan. 3, 2020**

(74) *Attorney, Agent, or Firm* — Lerner, David,
Littenberg, Krumholz & Mentlik, LLP

(30) **Foreign Application Priority Data**

(57) **CLAIM**

Jul. 3, 2019 (AU) 201913726
Jul. 3, 2019 (AU) 201913727

The ornamental design for an upper section of an excavator
bucket, as shown and described.

(51) **LOC (13) Cl.** **15-03**

DESCRIPTION

(52) **U.S. Cl.**
USPC **D15/32**

(58) **Field of Classification Search**
USPC D15/28, 29, 32
CPC E02F 3/40; E02F 3/96; E02F 3/04; E02F
3/962; E02F 3/404; E02F 3/401; E02F
9/24; E02F 9/28; B65G 2812/02742;
B65G 17/36
See application file for complete search history.

The present application is also related to U.S. Design
application Ser. No. 29/719,364, U.S. Design application
Ser. No. 29/719,366, and U.S. Design application Ser. No.
29/719,368, all of which are concurrently filed herewith, and
the disclosures all of which are incorporated herein by
reference.

FIG. 1 is an upper perspective rear view of an upper section
of an excavator bucket according to our design;
FIG. 2 is a lower perspective front view thereof;
FIG. 3 is a front view thereof;
FIG. 4 is a top plan view thereof;
FIG. 5 is a rear view thereof; and,
FIG. 6 is a right side view thereof, the left side view being
a mirror image thereof.

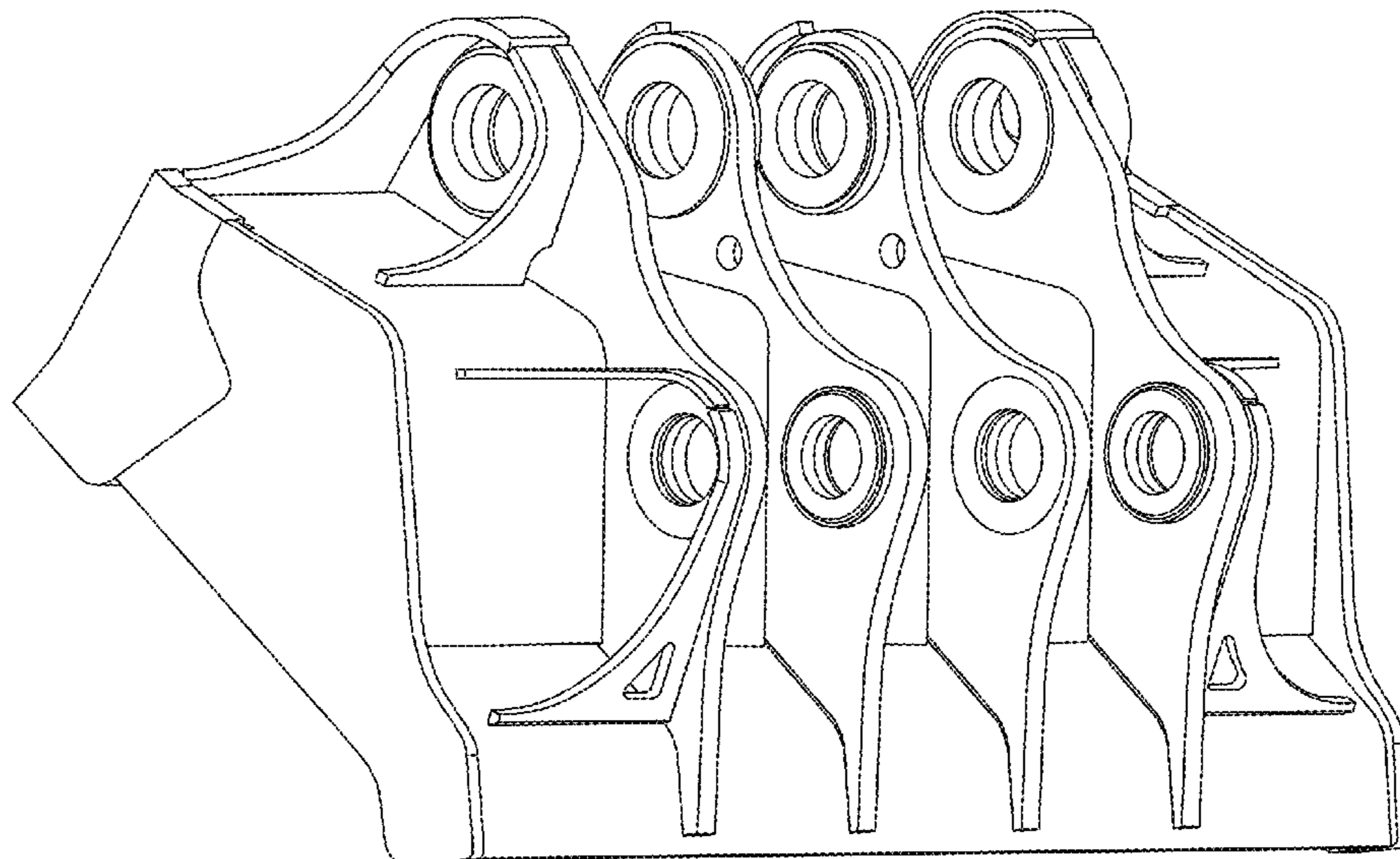
The broken lines shown in the drawings are for the purpose
of illustrating environmental structure that forms no part of
the claimed design.

(56) **References Cited**

U.S. PATENT DOCUMENTS

1,001,289 A * 8/1911 McKee et al. E02F 3/40
37/444
1,077,486 A * 11/1913 McKee E02F 3/40
37/444
1,479,340 A * 1/1924 Trainor E02F 3/40
37/444

1 Claim, 6 Drawing Sheets



(56)

References Cited

U.S. PATENT DOCUMENTS

D326,859	S *	6/1992	Cody	D15/28
5,526,591	A *	6/1996	Otwell	E02F 3/40
				37/379
5,813,822	A *	9/1998	Pisco	E02F 3/3622
				294/104
D440,983	S *	4/2001	Miller	D15/28
D469,786	S *	2/2003	Miller	D15/24
D524,826	S *	7/2006	Boyapally	D15/29
D551,684	S *	9/2007	McClallen	D15/32
D593,848	S *	6/2009	Balemi	D15/28
D616,469	S *	5/2010	Ballinger	D15/32
D669,919	S *	10/2012	Attwood	D15/32
D766,995	S *	9/2016	Annetts	D15/32
D821,456	S *	6/2018	Nye	D15/32
D867,405	S *	11/2019	Edavankattil	D15/32
D875,791	S *	2/2020	Edavankattil	D15/32
D881,239	S *	4/2020	Gregory	D15/32
2006/0182590	A1 *	8/2006	McFarland	E02F 3/40
				414/685
2014/0230293	A1 *	8/2014	Lunn	E02F 3/40
				37/444
2014/0237869	A1 *	8/2014	Caux	E02F 3/40
				37/444

OTHER PUBLICATIONS

Hall, JVC et al., "Excavator Bucket," Design U.S. Appl. No. 29/719,366, filed Jan. 3, 2020.
 Hall, JVC et al., "Upper Section of an Excavator Bucket," Design U.S. Appl. No. 29/719,368, filed Jan. 3, 2020.

* cited by examiner

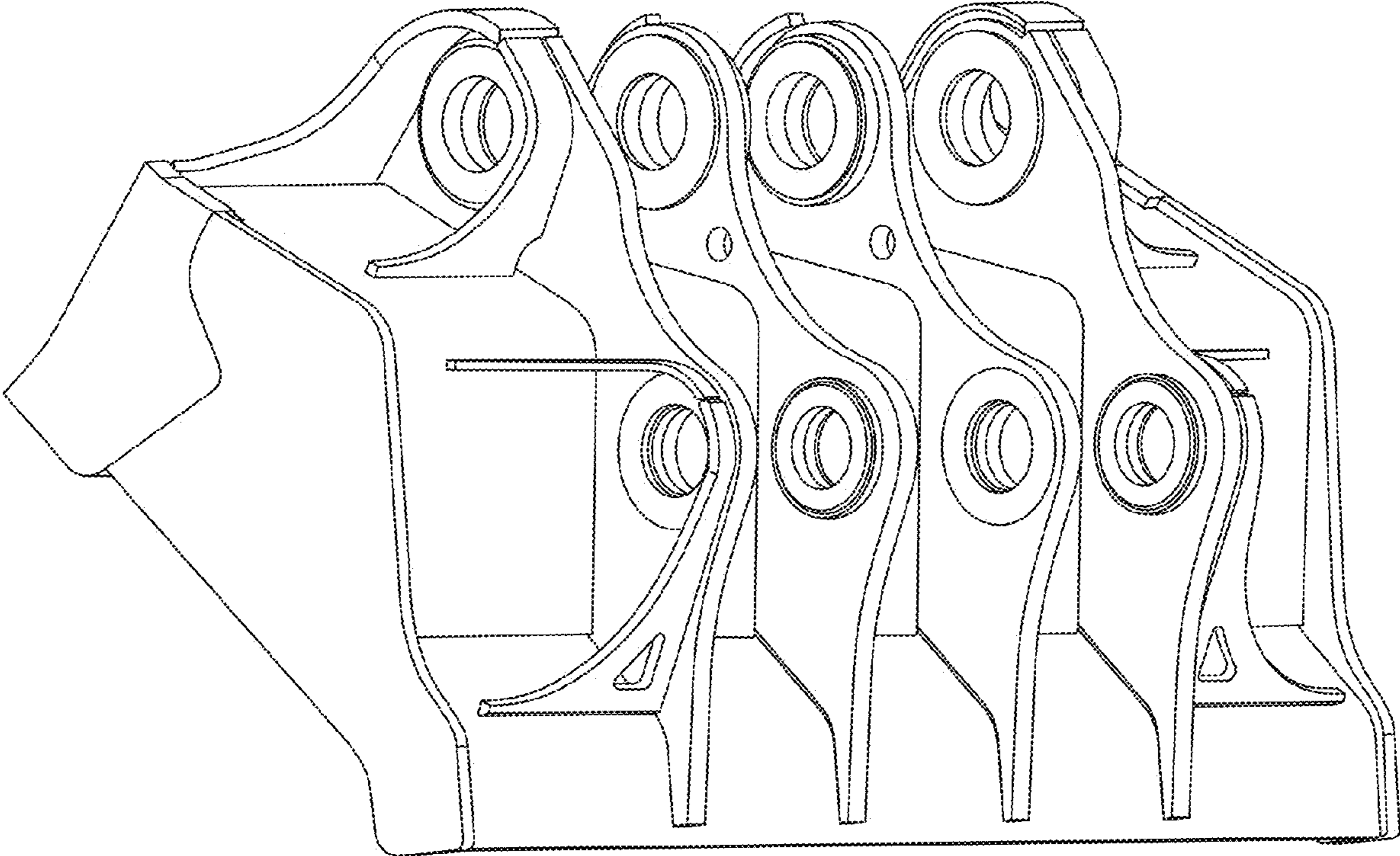


FIG. 1

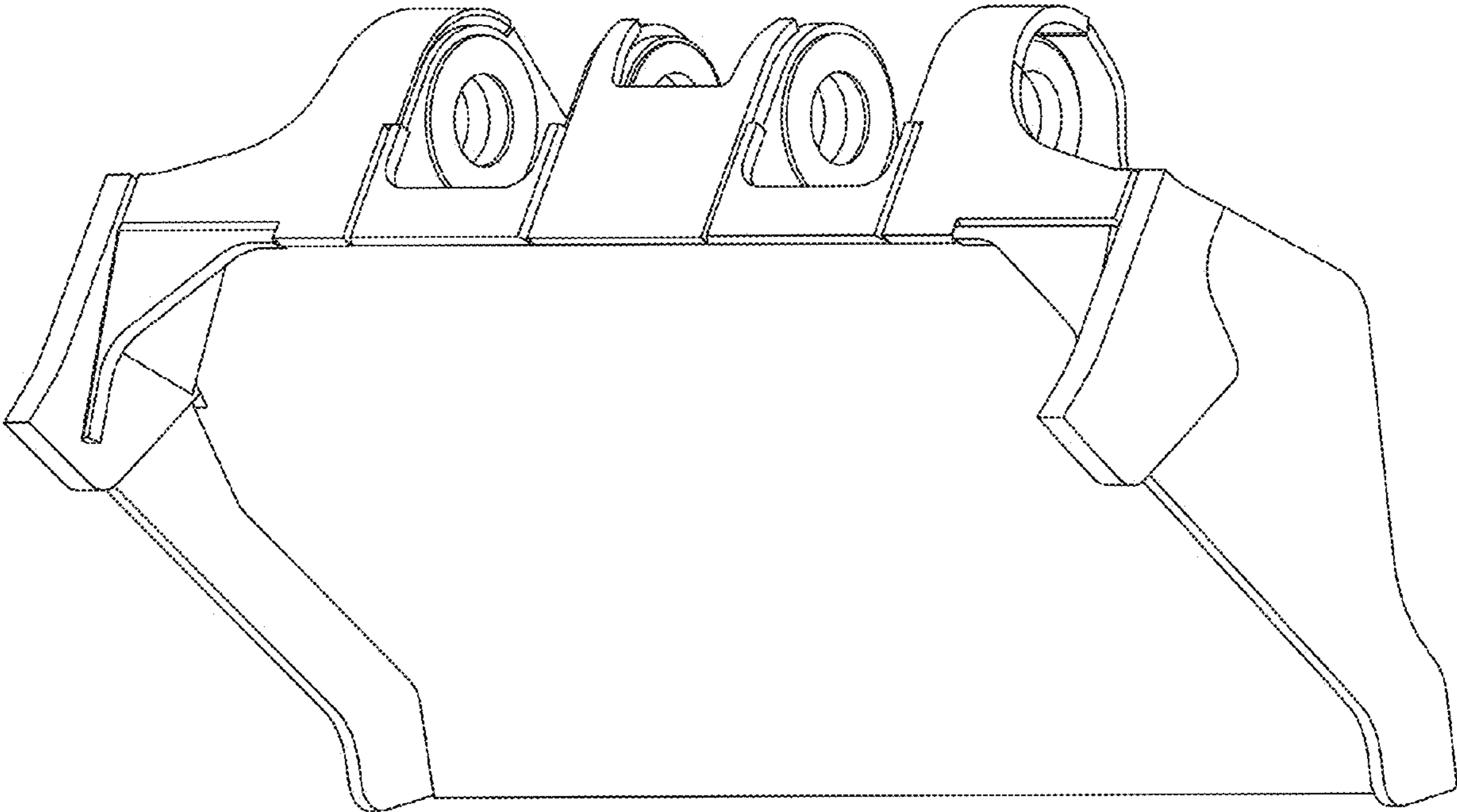


FIG. 2

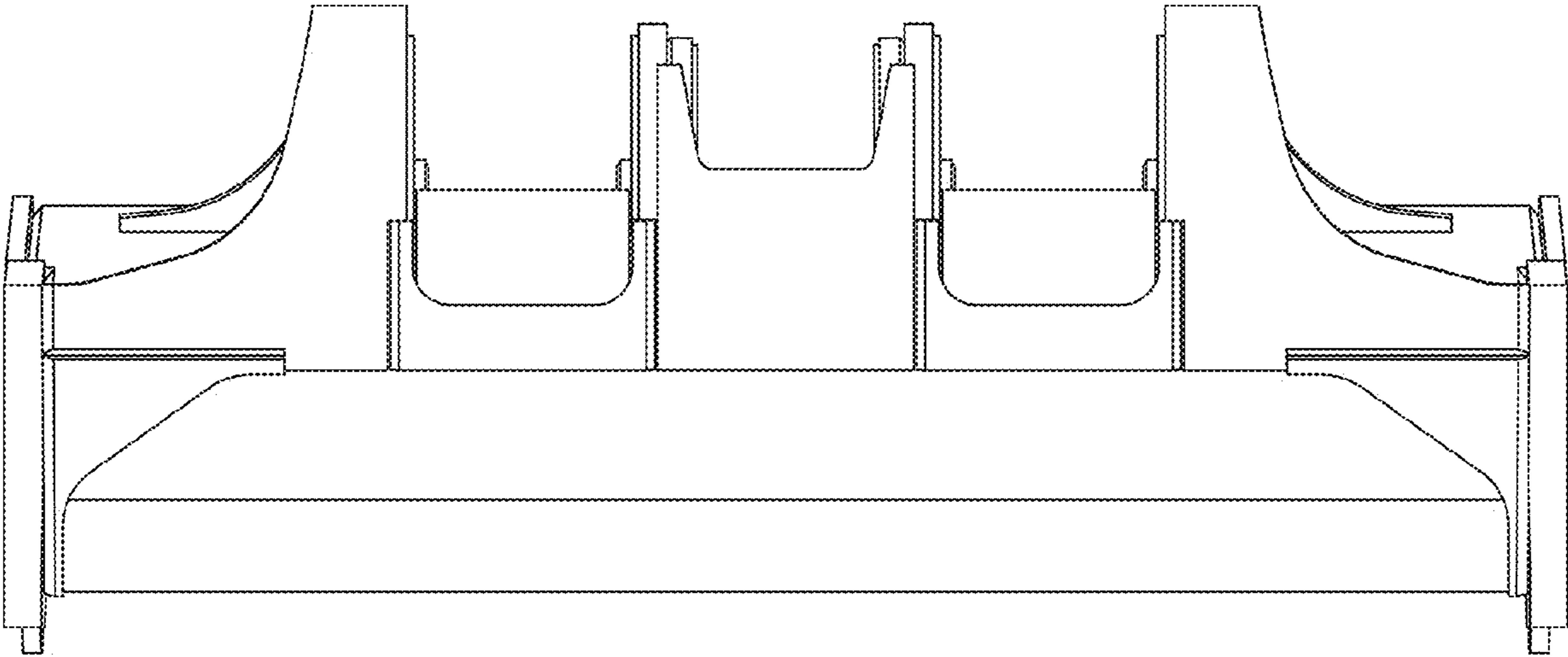


FIG. 3

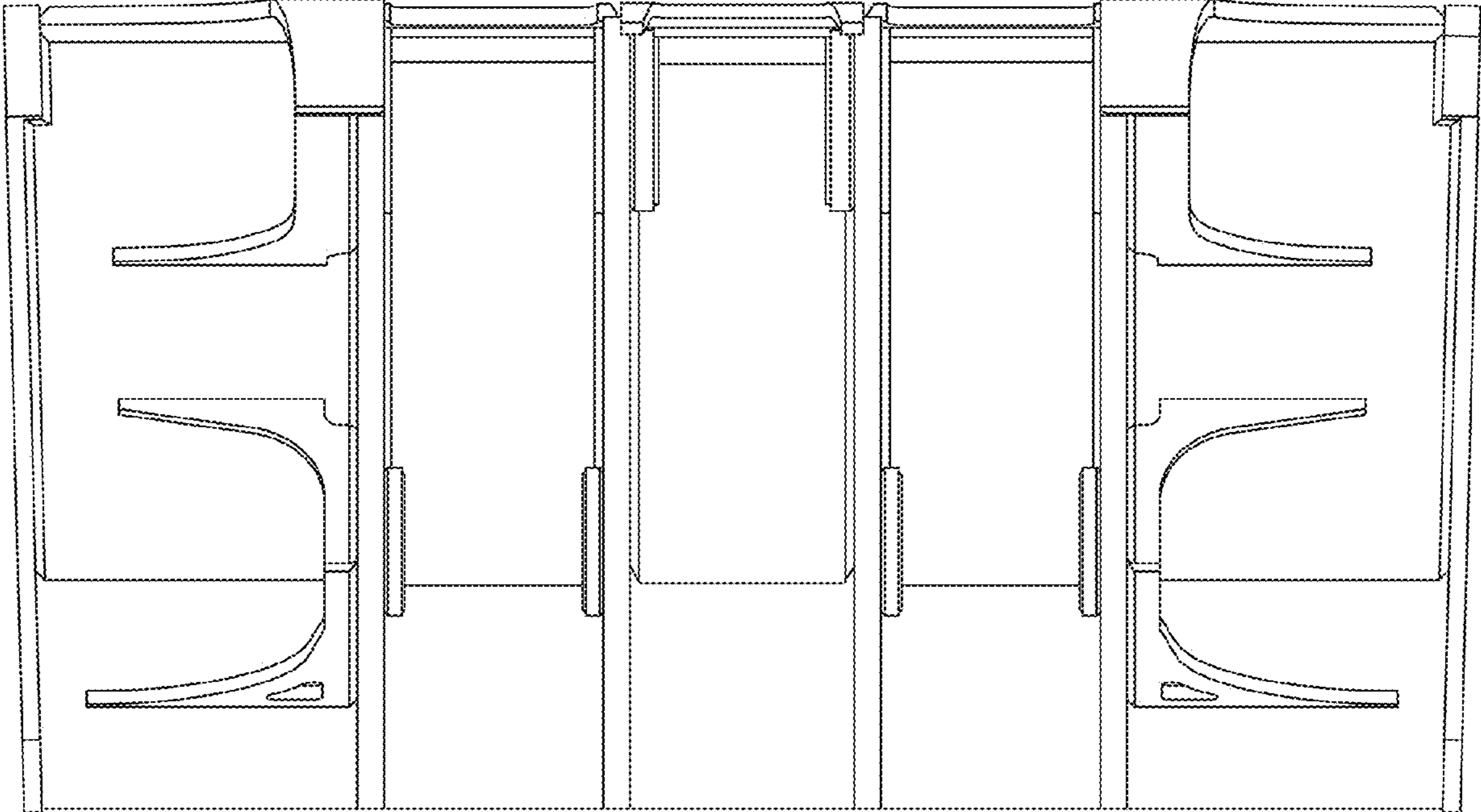


FIG. 4

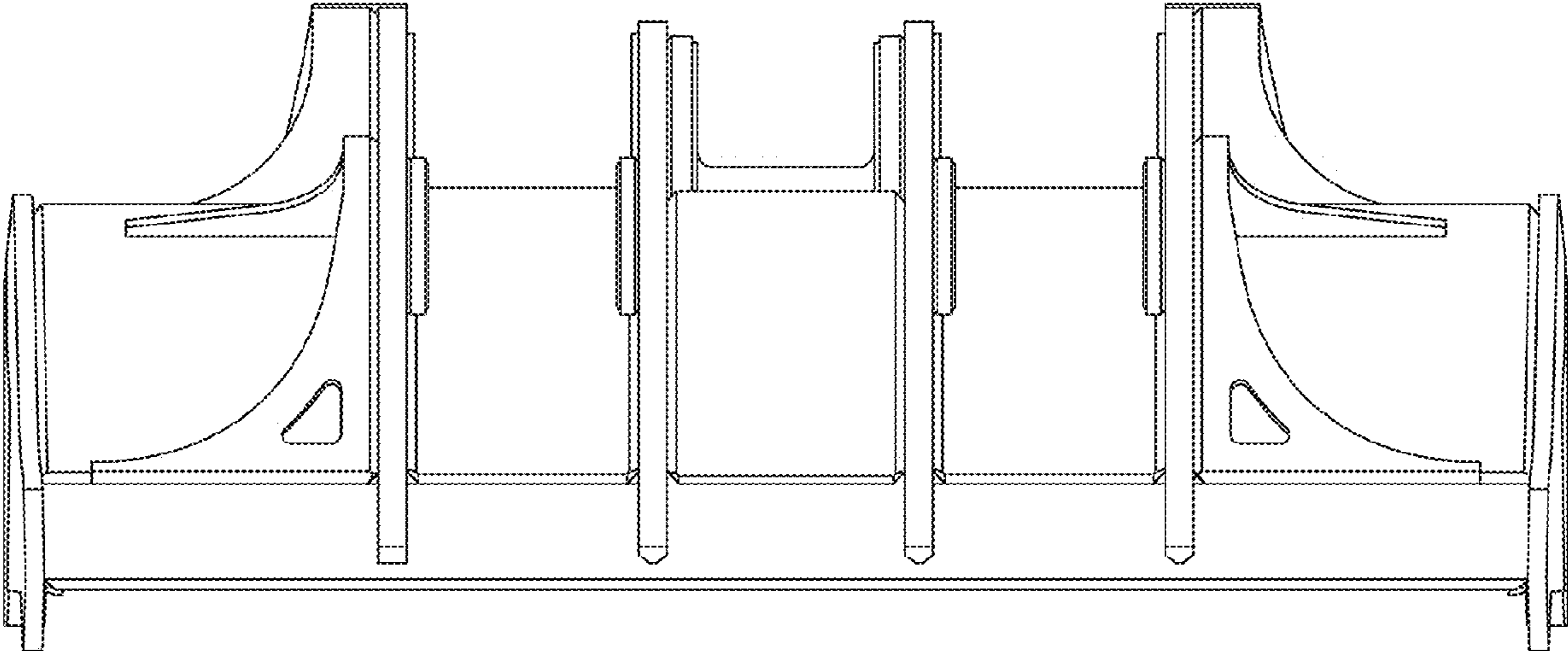


FIG. 5

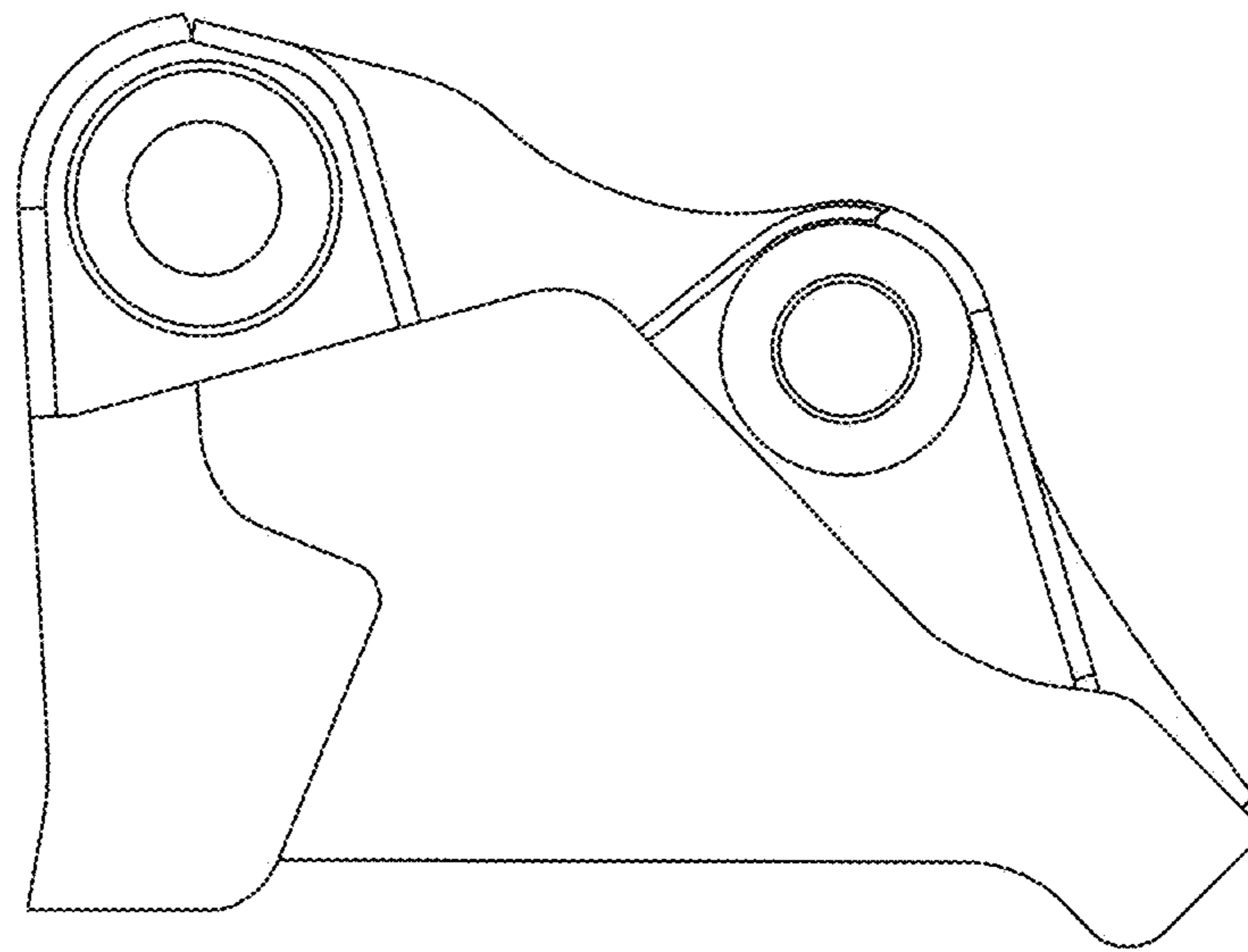


FIG. 6