



US00D909427S

(12) **United States Design Patent** (10) **Patent No.:** **US D909,427 S**  
**Hall et al.** (45) **Date of Patent:** **\*\* Feb. 2, 2021**

(54) **EXCAVATOR BUCKET** D308,528 S \* 6/1990 Harr ..... D15/32  
D324,054 S \* 2/1992 Smith ..... D15/28  
(71) Applicant: **Austin Engineering Limited**, Milton D326,859 S \* 6/1992 Cody ..... D15/28  
(AU) (Continued)

(72) Inventors: **Jamie Vincent Clarke Hall**,  
Kalamunda (AU); **Lyndon Brian**  
**Greeshaw**, Yokine (AU) FOREIGN PATENT DOCUMENTS  
WO 2018213883 A1 11/2018

(73) Assignee: **Austin Engineering Limited** OTHER PUBLICATIONS  
Hall, JVC et al., "Excavator Bucket," Design U.S. Appl. No.  
(\*\*) Term: **15 Years** 29/719,364, filed Jan. 3, 2020.  
(21) Appl. No.: **29/719,366** (Continued)

(22) Filed: **Jan. 3, 2020** Primary Examiner — Mark A Goodwin  
(74) Attorney, Agent, or Firm — Lerner, David,  
Littenberg, Krumholz & Mentlik, LLP

(30) **Foreign Application Priority Data** (57) **CLAIM**  
The ornamental design for an excavator bucket, as shown  
and described.

Jul. 3, 2019 (AU) ..... 201913728  
Jul. 3, 2019 (AU) ..... 201913729

(51) **LOC (13) Cl.** ..... **15-03** (74) **DESCRIPTION**

(52) **U.S. Cl.** USPC ..... **D15/32**

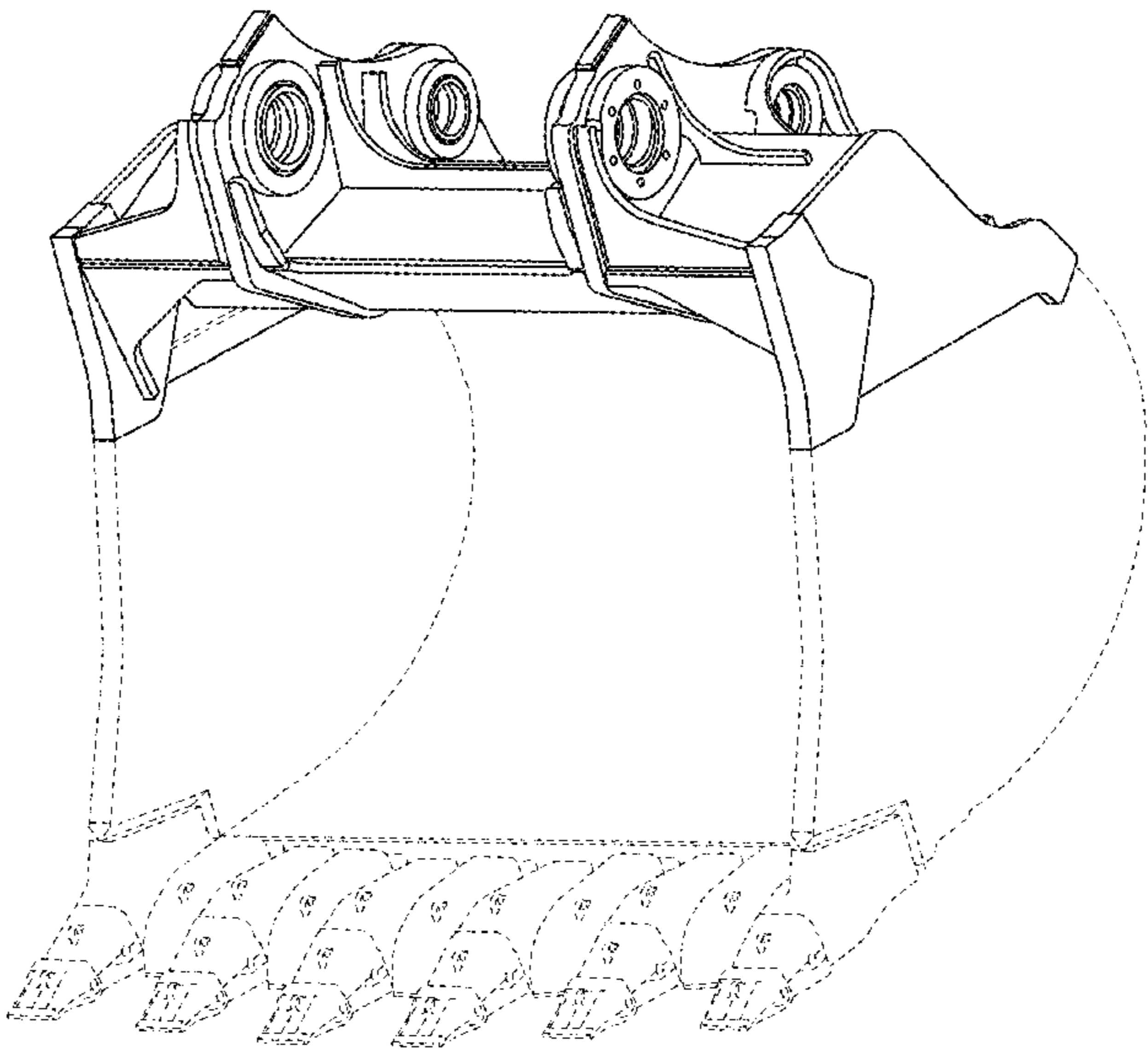
(58) **Field of Classification Search** The present application is also related to U.S. Design  
USPC ..... D15/28, 29, 32 application Ser. No. 29/719,364, U.S. Design application  
CPC ..... E02F 3/40; E02F 3/96; E02F 3/04; E02F Ser. No. 29/719,367, and U.S. Design application Ser. No.  
3/962; E02F 3/404; E02F 3/401; E02F 29/719,368, all of which are concurrently filed herewith, and  
9/24; E02F 9/28; B65G 2812/02742; the disclosures all of which are incorporated herein by  
B65G 17/36 reference.  
See application file for complete search history. FIG. 1 is a front perspective view of an excavator bucket  
according to our design;

(56) **References Cited** FIG. 2 is a rear perspective view thereof;  
U.S. PATENT DOCUMENTS FIG. 3 is a front view thereof;  
FIG. 4 is a top plan view thereof;  
FIG. 5 is a rear view thereof; and,  
FIG. 6 is a right side view thereof, the left side view being  
a mirror image thereof.

1,001,289 A \* 8/1911 McKee et al. .... E02F 3/40  
37/444  
1,077,486 A \* 11/1913 McKee ..... E02F 3/40  
37/444  
1,479,340 A \* 1/1924 Trainor ..... E02F 3/40  
37/444  
D299,723 S \* 2/1989 Frawley ..... D15/32

The broken lines shown in the drawings are for the purpose  
of illustrating environmental structure that forms no part of  
the claimed design.

**1 Claim, 6 Drawing Sheets**



(56)

**References Cited**

U.S. PATENT DOCUMENTS

5,526,591 A \* 6/1996 Otwell ..... E02F 3/40  
 37/379  
 5,813,822 A \* 9/1998 Pisco ..... E02F 3/3622  
 294/104  
 D440,983 S \* 4/2001 Miller ..... D15/28  
 D469,786 S \* 2/2003 Miller ..... D15/24  
 D524,826 S \* 7/2006 Boyapally ..... D15/29  
 D551,684 S \* 9/2007 McClallen ..... D15/32  
 D593,848 S \* 6/2009 Balemi ..... D15/28  
 D616,469 S \* 5/2010 Ballinger ..... D15/32  
 D669,919 S \* 10/2012 Attwood ..... D15/32  
 D766,995 S \* 9/2016 Annetts ..... D15/32  
 D821,456 S \* 6/2018 Nye ..... D15/32  
 D867,405 S \* 11/2019 Edavankattil ..... D15/32  
 D875,791 S \* 2/2020 Edavankattil ..... D15/32  
 D881,239 S \* 4/2020 Gregory ..... D15/32  
 2006/0182590 A1 \* 8/2006 McFarland ..... E02F 3/40  
 414/685  
 2014/0230293 A1 \* 8/2014 Lunn ..... E02F 3/40  
 37/444  
 2014/0237869 A1 \* 8/2014 Caux ..... E02F 3/40  
 37/444

OTHER PUBLICATIONS

Hall, JVC et al., "Upper Section of an Excavator Bucket," Design  
 U.S. Appl. No. 29/719,367, filed Jan. 3, 2020.  
 Hall, JVC et al., "Upper Section of an Excavator Bucket," Design  
 U.S. Appl. No. 29/719,368, filed Jan. 3, 2020.

\* cited by examiner

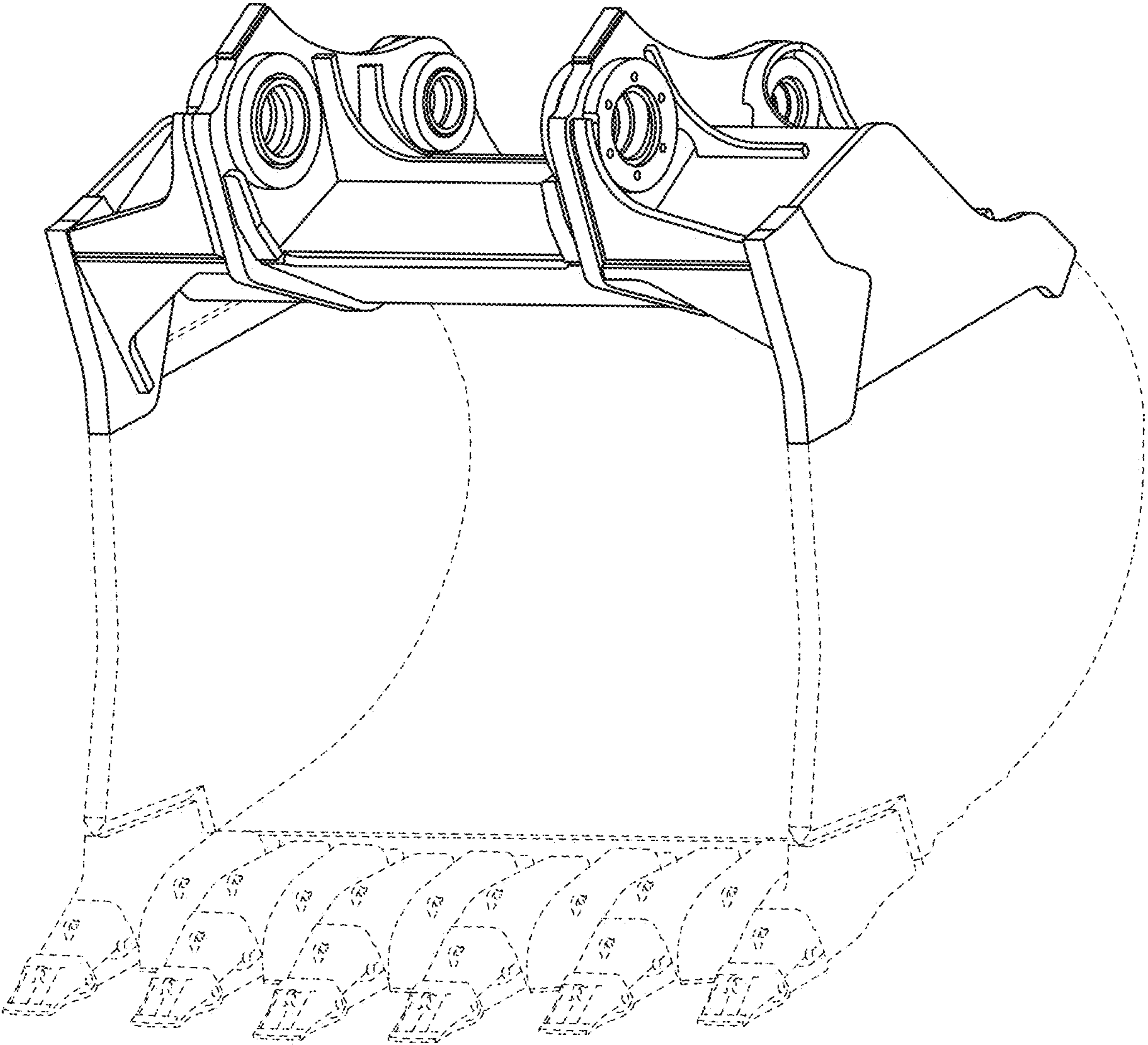


FIG. 1

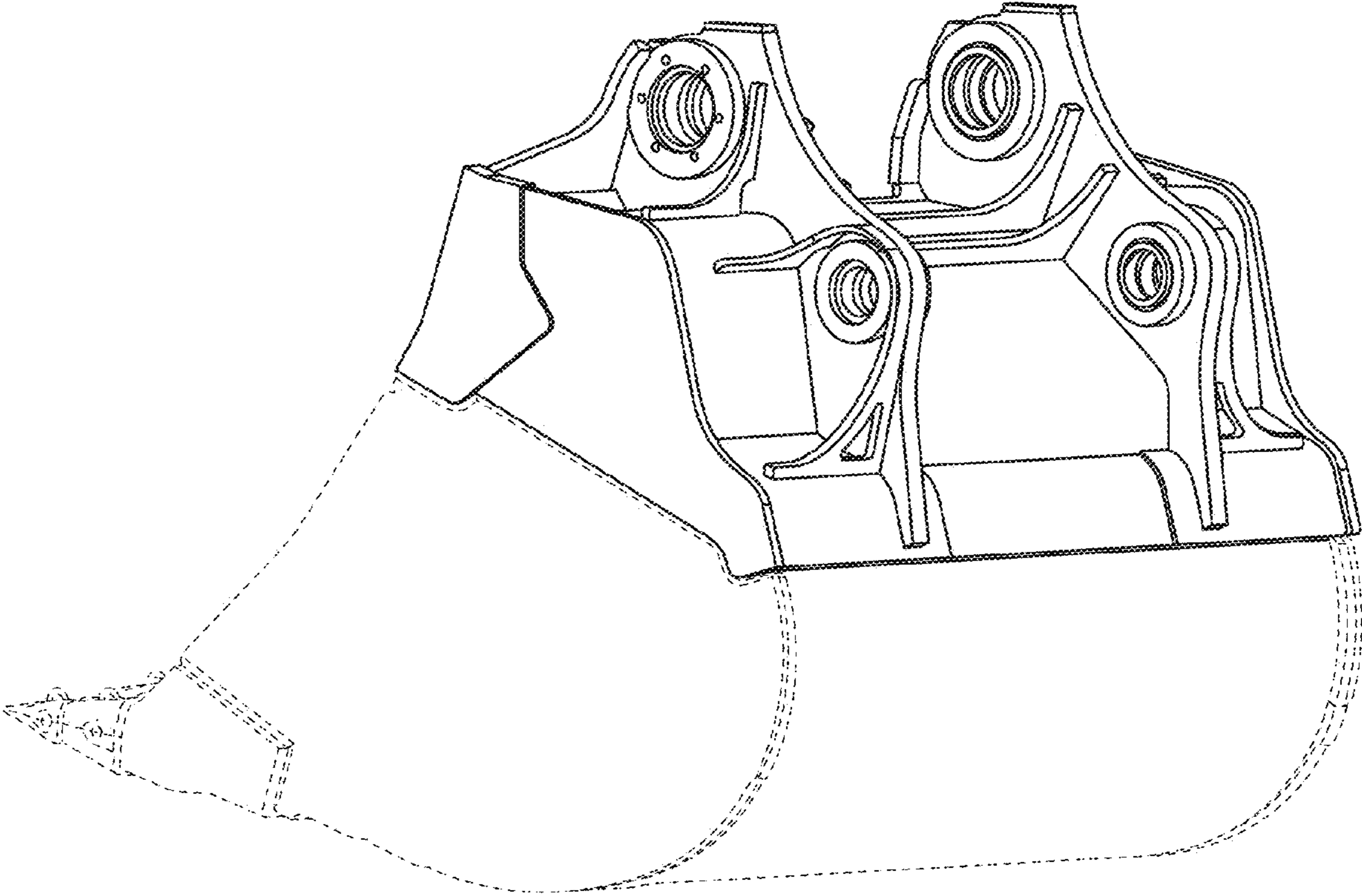


FIG. 2

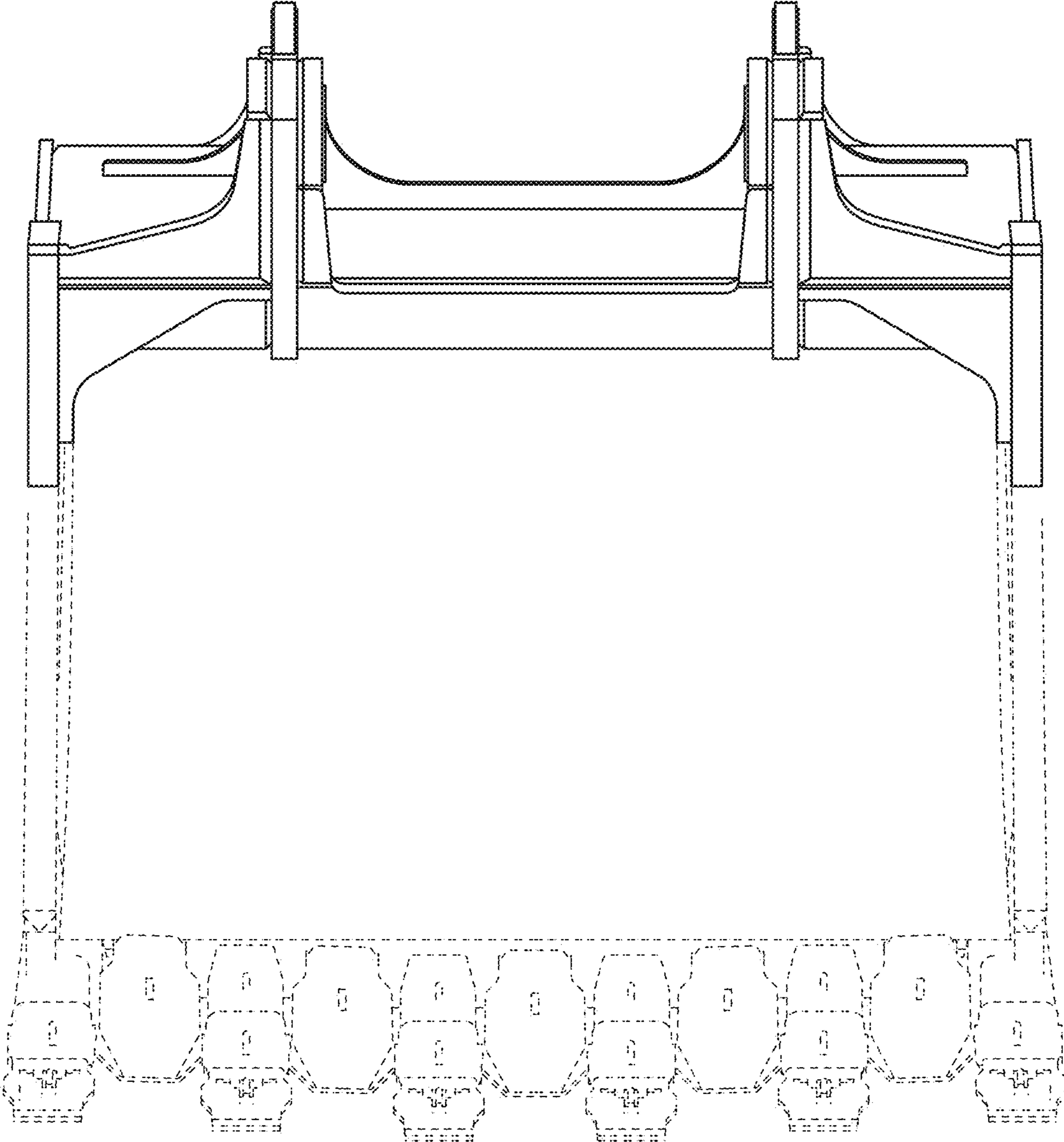


FIG. 3

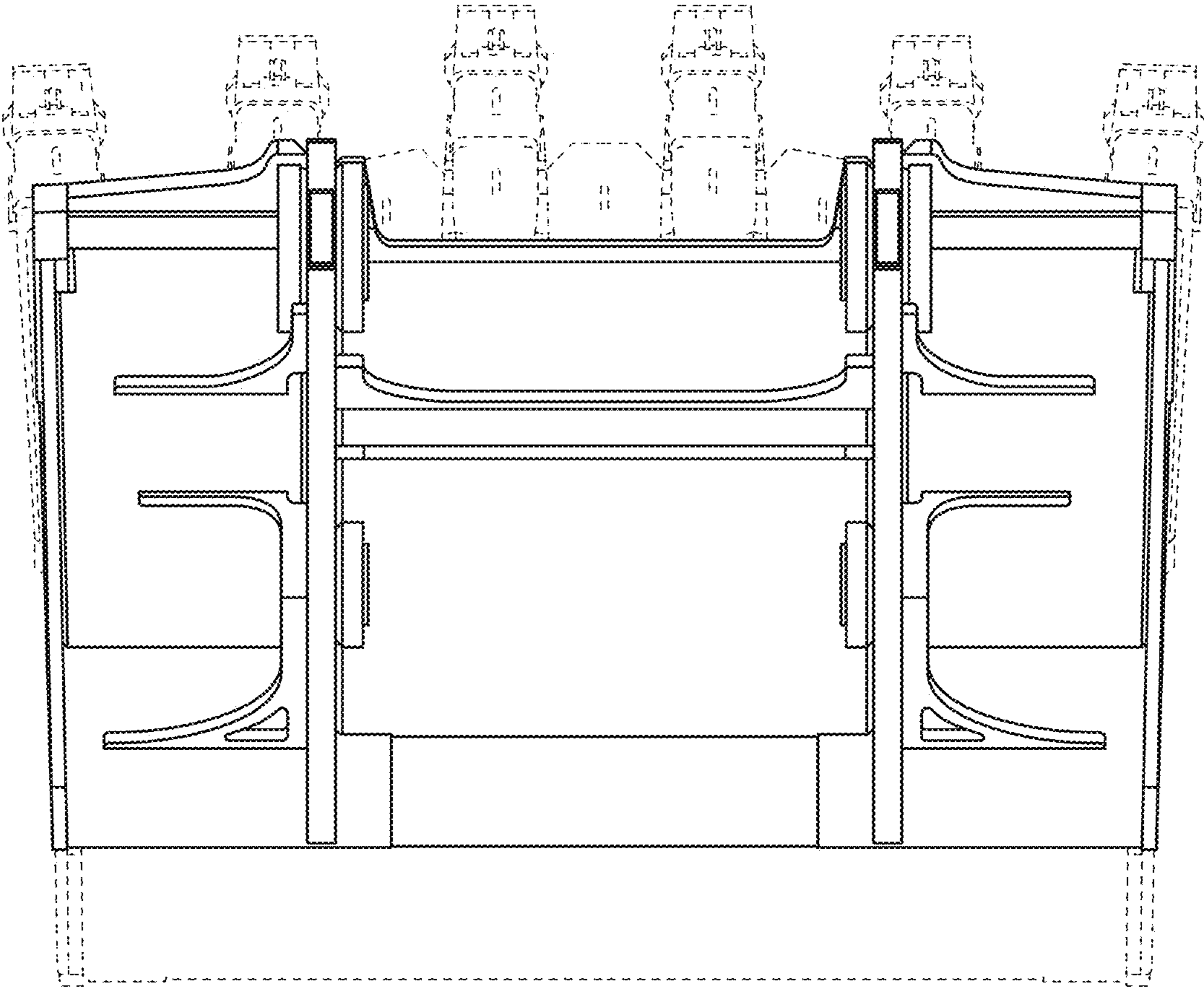


FIG. 4

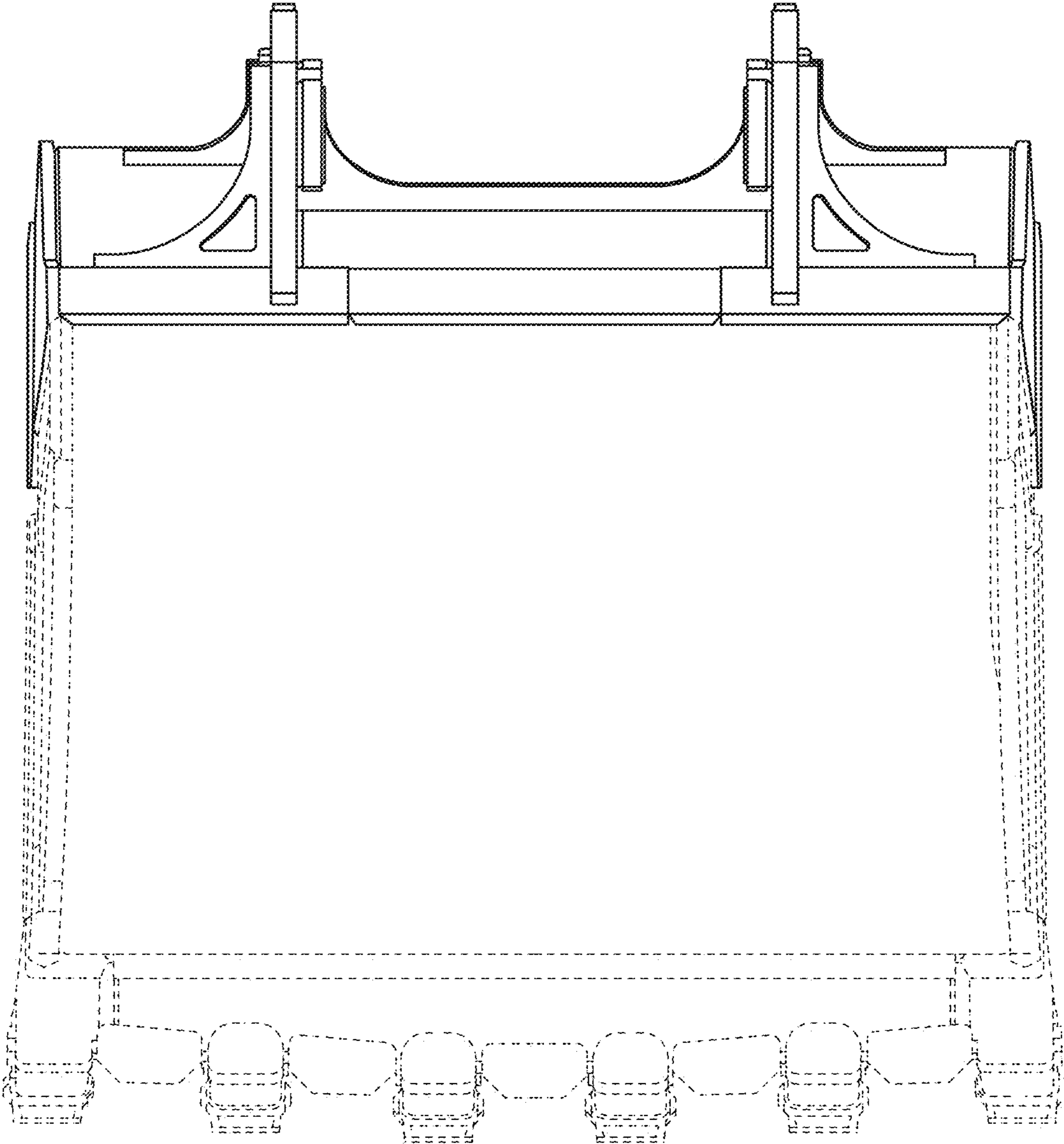


FIG. 5

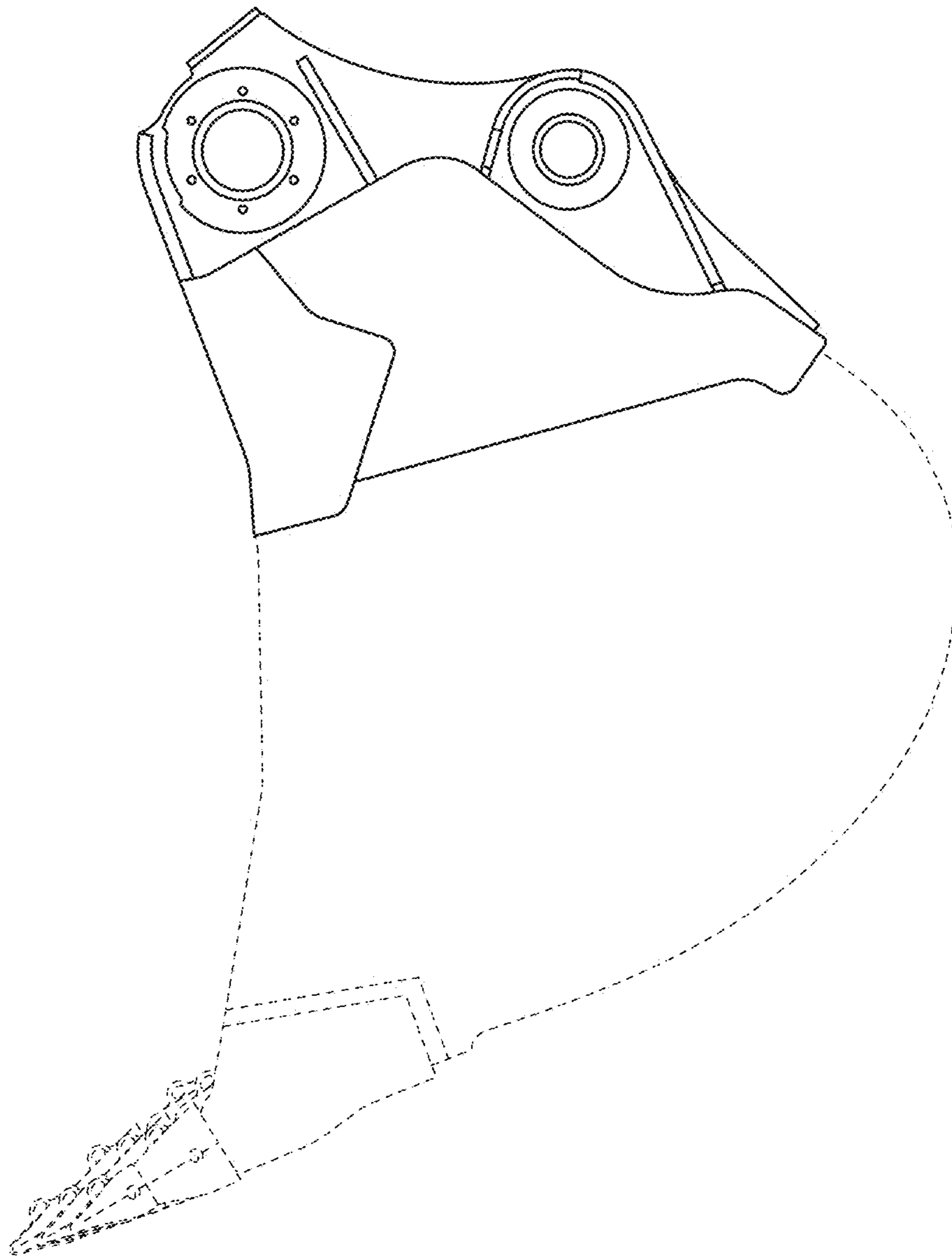


FIG. 6