



US00D909424S

(12) **United States Design Patent**
Ramos et al.

(10) **Patent No.:** **US D909,424 S**

(45) **Date of Patent:** **** Feb. 2, 2021**

(54) **CAB FOR CONSTRUCTION AND MINING MACHINERY**

(71) Applicant: **Normet Oy**, Iisalmi (FI)

(72) Inventors: **Rodolfo Ramos**, Iisalmi (FI); **Jarmo Husso**, Iisalmi (FI); **Marjo Koivisto**, Lahti (FI)

(73) Assignee: **NORMET OY**, Iisalmi (FI)

(**) Term: **15 Years**

(21) Appl. No.: **29/708,102**

(22) Filed: **Oct. 3, 2019**

(30) **Foreign Application Priority Data**

Apr. 5, 2019 (EM) 006371134-0001

(51) **LOC (13) Cl.** **15-03**

(52) **U.S. Cl.**
USPC **D15/30**

(58) **Field of Classification Search**
USPC D12/1, 14, 15, 82, 90, 95, 96, 99;
D15/10, 21, 23, 24, 25, 26, 27, 33;
D21/537, 554

CPC B60Y 2200/22; B60Y 2200/221; B60Y
2200/222; B60Y 2200/41; B60Y
2200/411; B60Y 2200/412; B62D 33/00;
B62D 33/06; B62D 33/077; B62D
33/0612

See application file for complete search history.

(56) **References Cited**

U.S. PATENT DOCUMENTS

D259,045 S * 4/1981 Mende D15/30
4,696,486 A * 9/1987 Ruhter B62D 53/02
172/430

D453,023 S * 1/2002 Kaneko D15/21
2012/0241229 A1 * 9/2012 Niva B62D 13/025
180/14.2
2019/0263269 A1 * 8/2019 Huff B60L 50/66
2020/0003118 A1 * 1/2020 Osborne F01P 5/06
2020/0255068 A1 * 8/2020 De Smidt B62D 33/077

OTHER PUBLICATIONS

Uni 50 series, www.paus.de [online]. Published on or before Nov. 3, 2020, [retrieved on Nov. 3, 2020]. Retrieved from the Internet: <URL:https://www.paus.de/en/mining-and-tunnelling/utility-vehicles/uni-50-series.html> (Year: 2020).*

* cited by examiner

Primary Examiner — Michael A. Pratt

Assistant Examiner — Adam C Mager

(74) *Attorney, Agent, or Firm* — Jacobson Holman PLLC

(57) **CLAIM**

We claim the ornamental design for a cab for construction and mining machinery, as shown and described.

DESCRIPTION

FIG. 1 is a front perspective view of a cab for construction and mining machinery;

FIG. 2 is a front elevational view of FIG. 1;

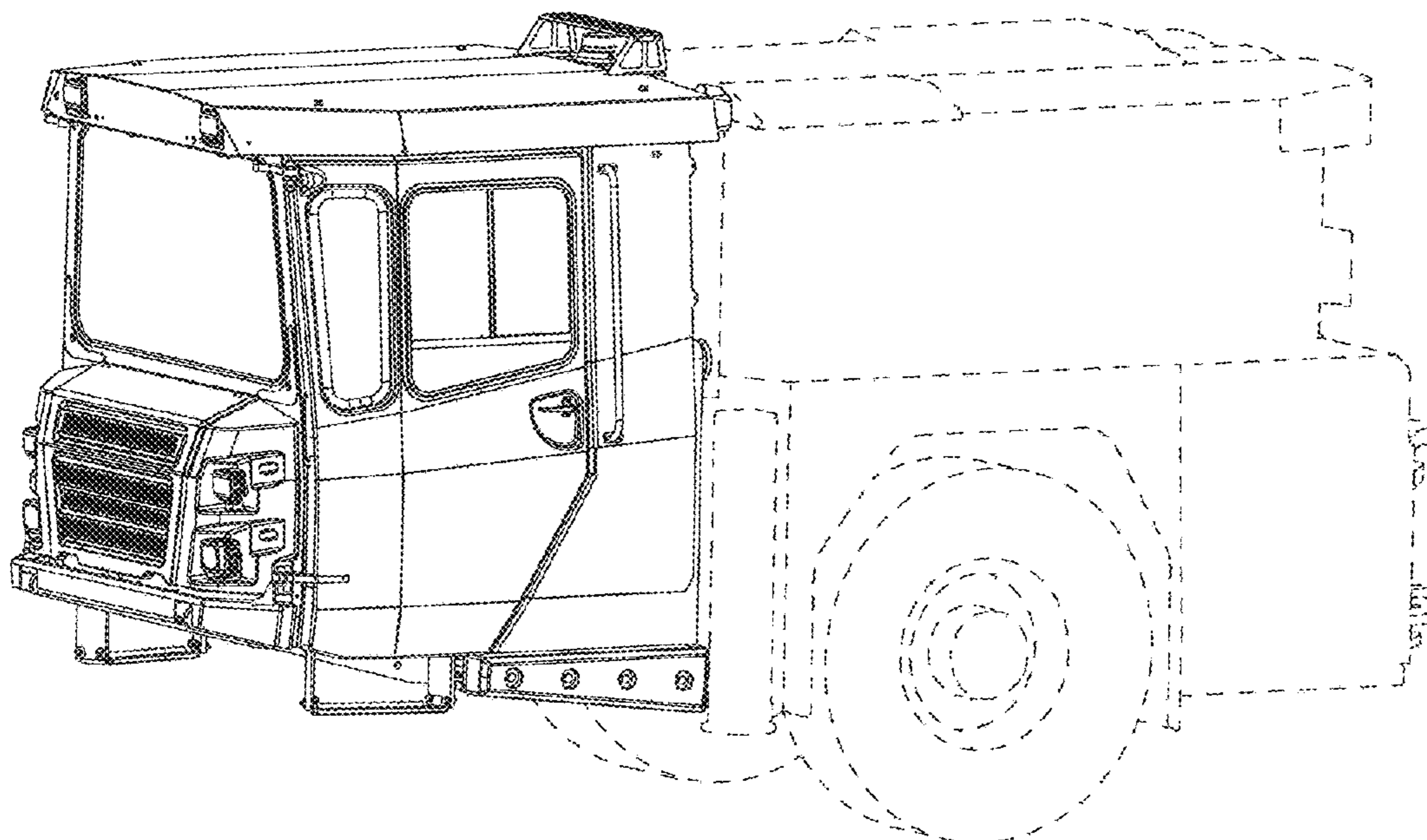
FIG. 3 is a right side elevational view of FIG. 1;

FIG. 4 is a left side elevational view of FIG. 1; and,

FIG. 5 is a top plan view of FIG. 1.

The broken lines illustrate portions of the cab for construction and mining machinery that form no part of the claimed design.

1 Claim, 5 Drawing Sheets



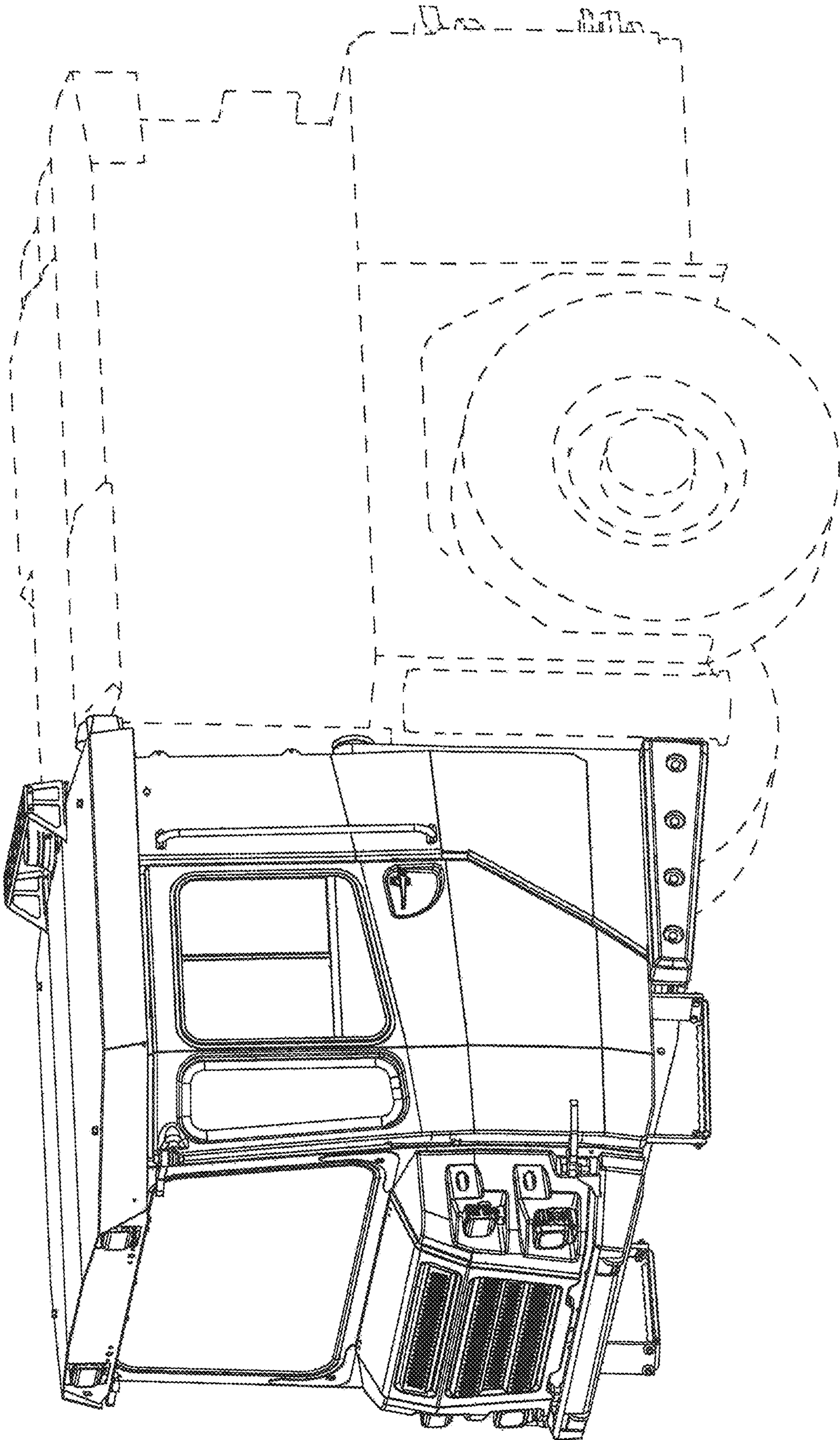


FIG. 1

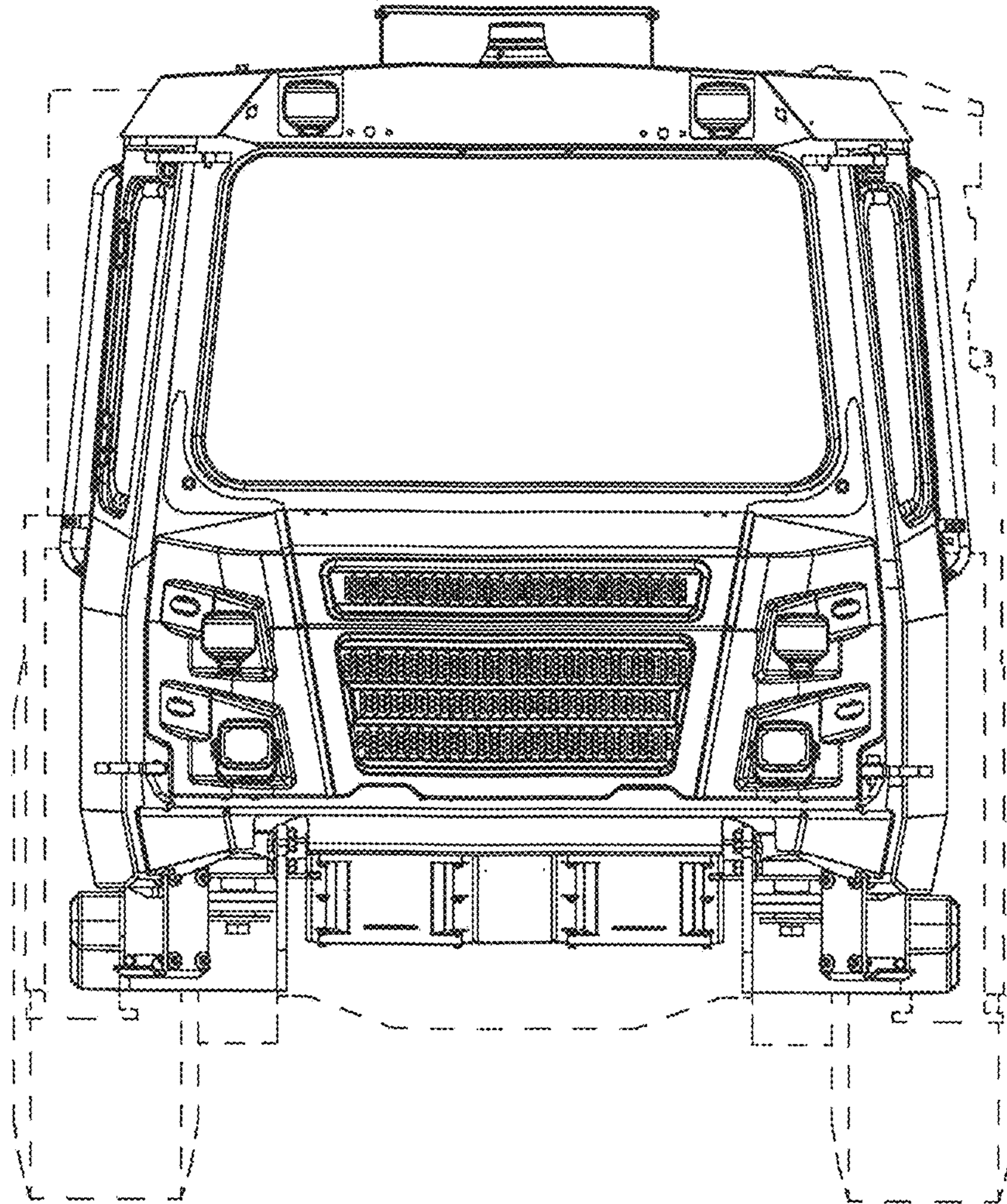


FIG. 2

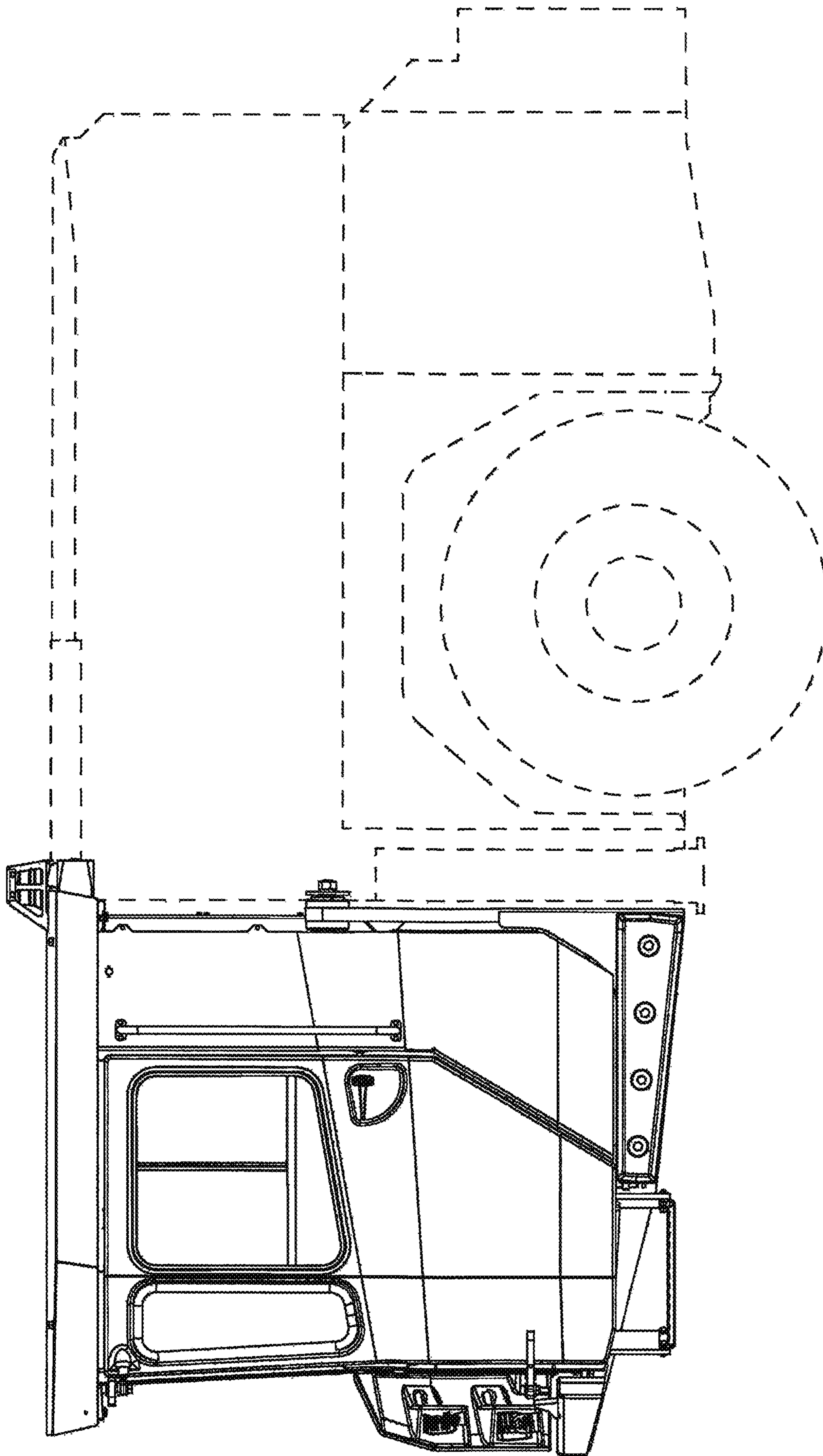


FIG. 3

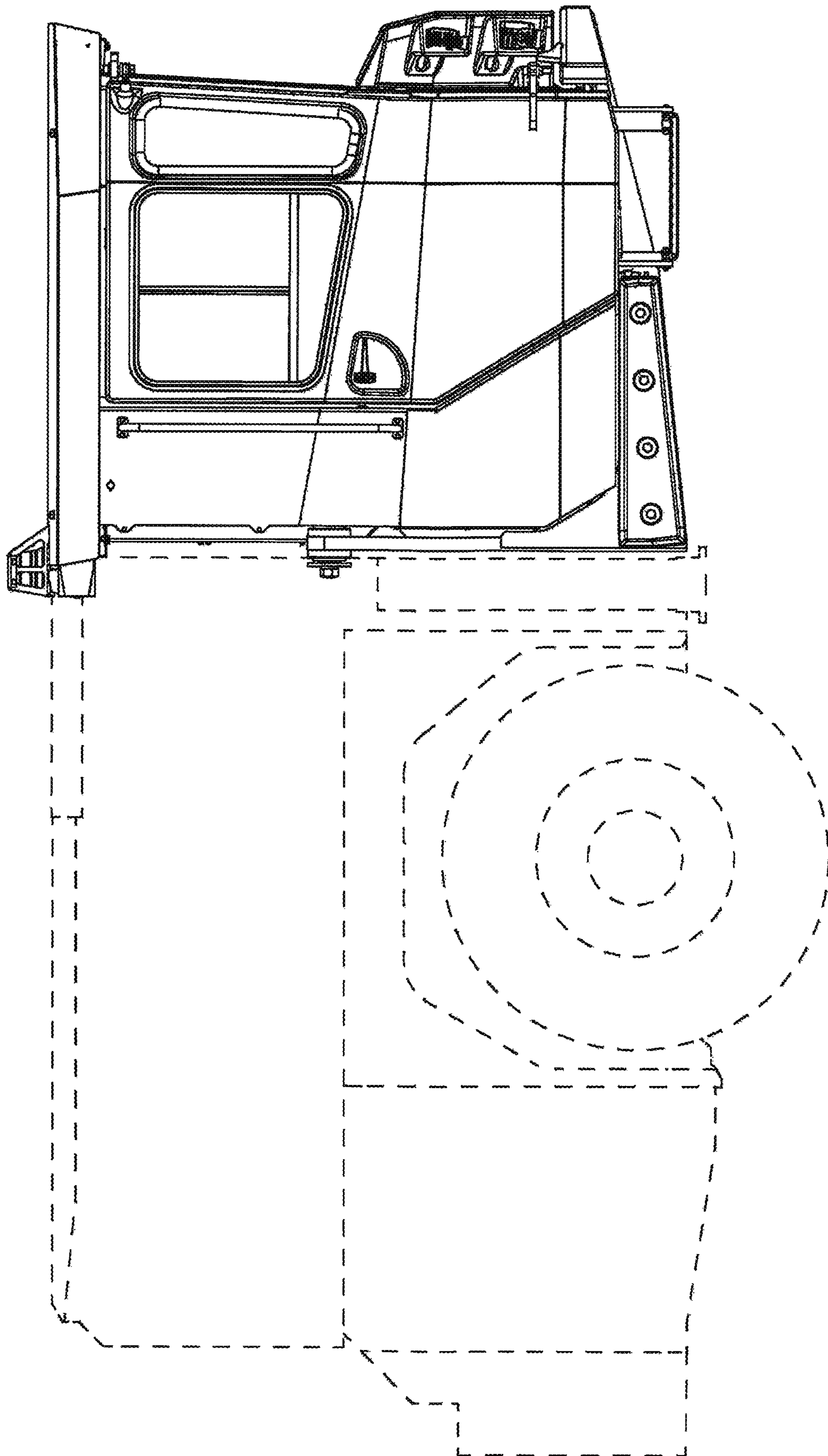


FIG. 4

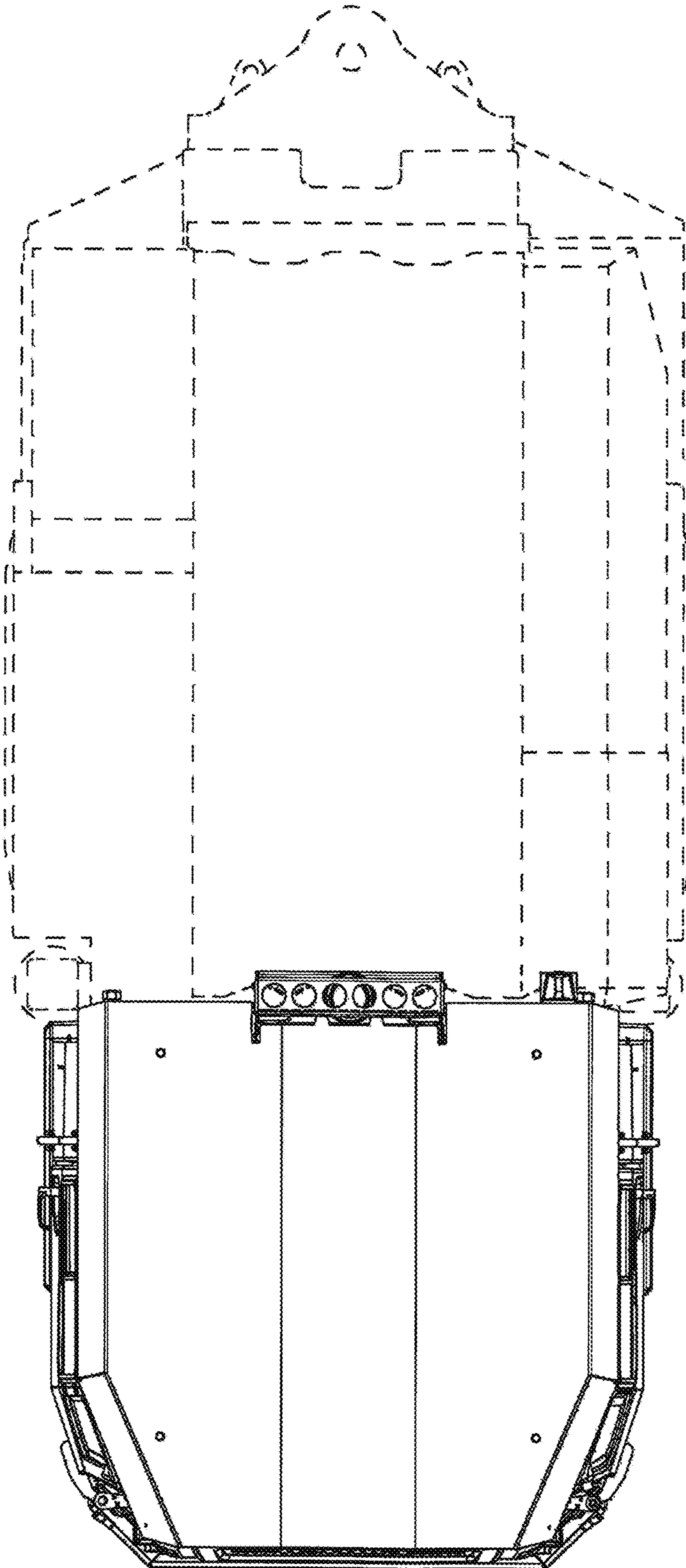


FIG. 5