



US00D909421S

(12) **United States Design Patent** (10) **Patent No.:** **US D909,421 S**  
**Hsu et al.** (45) **Date of Patent:** **\*\* Feb. 2, 2021**

(54) **SPREADER**  
(71) Applicant: **OMS Investments, Inc.**, Los Angeles, CA (US)  
(72) Inventors: **Paul E. Hsu**, Lewis Center, OH (US); **Ryan R. Berger**, Columbus, OH (US); **Daniel Wisniewski**, Columbus, OH (US); **Johannes Hertrich**, Columbus, OH (US); **John Knittle**, Westerville, OH (US); **Eric Glassner**, Hilliard, OH (US)  
(73) Assignee: **OMS Investments, Inc.**, Los Angeles, CA (US)

D132,559 S 5/1942 Sawyer  
D134,605 S 12/1942 Hahlo-Rosenwald  
2,451,128 A 10/1948 Thiesse  
2,586,492 A 2/1952 Ulrich  
2,594,084 A 4/1952 Skibbe et al.  
D168,092 S 11/1952 Hedu  
2,639,549 A 5/1953 Wubben et al.

(Continued)

**FOREIGN PATENT DOCUMENTS**

DE 19514152 A1 10/1996  
DE 19826598 A1 12/1999

(Continued)

**OTHER PUBLICATIONS**

Hsu et al., U.S. Appl. No. 29/595,095, filed Feb. 24, 2017.

*Primary Examiner* — Mark A Goodwin  
*Assistant Examiner* — Benjamin M Weeks

(74) *Attorney, Agent, or Firm* — Ulmer & Berne LLP

(\*\*) Term: **15 Years**  
(21) Appl. No.: **29/699,097**  
(22) Filed: **Jul. 23, 2019**

**Related U.S. Application Data**

(63) Continuation of application No. 29/595,095, filed on Feb. 24, 2017, now Pat. No. Des. 860,261.  
(51) **LOC (13) Cl.** ..... **15-02**  
(52) **U.S. Cl.**  
USPC ..... **D15/13**  
(58) **Field of Classification Search**  
USPC ..... D15/11, 13, 14, 16, 18, 21, 25, 28, 29  
CPC .... A01D 34/664; A01D 34/66; A01D 34/667;  
A01D 34/81; A01D 34/661; A01D  
34/668; A01D 61/004  
See application file for complete search history.

(57) **CLAIM**

The ornamental design for a spreader, as shown and described.

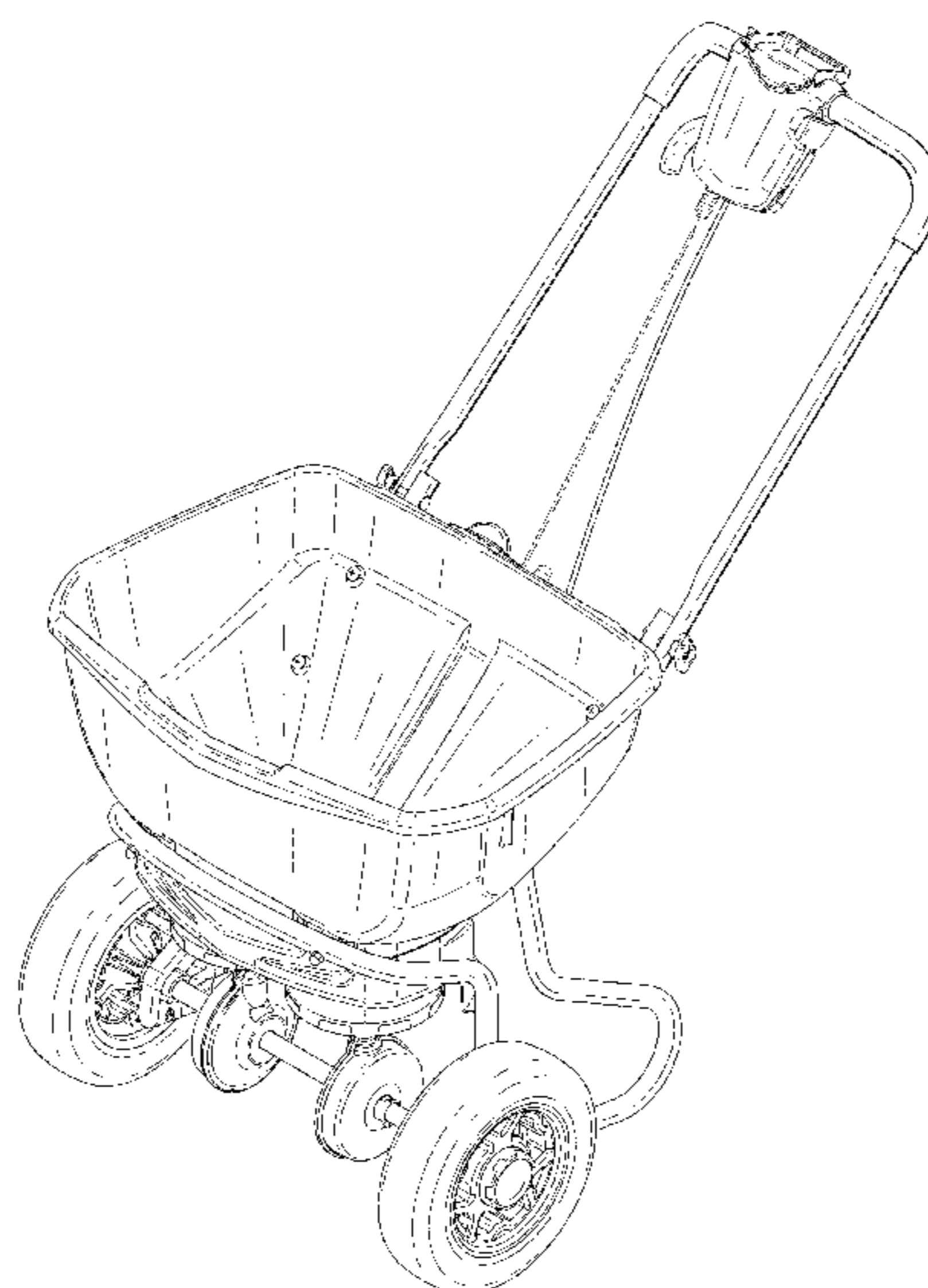
**DESCRIPTION**

FIG. 1 is a front perspective view of a spreader showing our new design;  
FIG. 2 is a front elevation view thereof;  
FIG. 3 is a rear elevation view thereof;  
FIG. 4 is a right side elevation view thereof;  
FIG. 5 is a left side elevation view thereof;  
FIG. 6 is a top plan view thereof;  
FIG. 7 is a bottom plan view thereof; and,  
FIG. 8 is a rear perspective view thereof.  
The line shading in FIGS. 1-8 represents contour and not surface ornamentation. The broken lines illustrate the portions of the spreader that form no part of the claimed design.

(56) **References Cited**  
U.S. PATENT DOCUMENTS

1,022,062 A 4/1912 Christopher  
1,166,477 A 1/1916 Parrish  
1,263,783 A 4/1918 Maier  
D94,072 S 12/1934 Cantor

**1 Claim, 8 Drawing Sheets**



(56)

## References Cited

## U.S. PATENT DOCUMENTS

2,692,142 A	10/1954	Hunter	D308,029 S	5/1990	Kladt
2,711,475 A	6/1955	Chadwick et al.	4,949,906 A	8/1990	Godwin
2,761,589 A	9/1956	Stach	4,962,781 A	10/1990	Kanbar
2,817,460 A	12/1957	Bond	D315,260 S	3/1991	Kelly
2,832,509 A	4/1958	Richard	5,009,344 A	4/1991	Cooley
2,973,884 A	3/1961	Peoples et al.	5,010,686 A	4/1991	Rivest
2,991,096 A	7/1961	Davidson	5,046,664 A	9/1991	Van Der Lely et al.
3,035,858 A	5/1962	Davidson et al.	5,054,693 A	10/1991	Chow
3,080,098 A	3/1963	Fierman	5,117,581 A	6/1992	Green et al.
3,081,004 A	3/1963	Penn et al.	5,119,993 A	6/1992	Gunzel, Jr. et al.
3,106,043 A	10/1963	Marcel	5,123,598 A	6/1992	Courtney et al.
3,107,822 A	10/1963	Regenstein, Jr.	5,195,308 A	3/1993	Grote et al.
3,113,702 A	12/1963	Luedtke	5,203,510 A	4/1993	Courtney et al.
3,152,732 A	10/1964	Schulman et al.	D338,893 S	8/1993	Simpson
3,179,298 A	4/1965	Collins	D338,894 S	8/1993	Simpson
3,192,665 A	7/1965	Cloud	5,285,971 A	2/1994	Havlovitz
3,211,114 A	10/1965	Bruno	5,288,017 A	2/1994	Halovitz
3,216,620 A	11/1965	Laughlin	5,294,060 A	3/1994	Thompson
3,220,740 A	11/1965	Kavan et al.	5,340,033 A	8/1994	Whitell
3,239,107 A	3/1966	West et al.	5,409,166 A	4/1995	Gunzel, Jr. et al.
3,276,162 A	10/1966	Chester	5,419,102 A	5/1995	Inman et al.
3,300,895 A	1/1967	Miroslav et al.	D359,013 S	6/1995	Carlson
3,310,314 A	3/1967	Simon et al.	D359,963 S	7/1995	Pink et al.
3,369,709 A	2/1968	Clauss	5,429,278 A	7/1995	Sansalone
3,383,055 A	5/1968	Speicher	5,430,972 A	7/1995	Wianecki
D211,883 S	8/1968	McCrea	5,489,023 A	2/1996	Havlovitz
3,406,915 A	10/1968	Heinz	5,493,852 A	2/1996	Stewart
3,738,546 A	6/1973	Speicher	D369,760 S	5/1996	Sanderson
3,772,827 A	11/1973	Ware	D371,780 S	7/1996	Havlovitz
D229,545 S	12/1973	Uhlig	5,533,676 A	7/1996	Conley
3,856,211 A	12/1974	Williams	D373,367 S	9/1996	Havlovitz
3,857,515 A	12/1974	Zennie	5,570,814 A	11/1996	Havlovitz
3,972,387 A	8/1976	Braun	D376,155 S	12/1996	Havlovitz
3,993,225 A	11/1976	Manni	5,592,889 A	1/1997	Bourgault
D244,838 S	6/1977	Lebreux	5,597,092 A	1/1997	Havlovitz
4,032,074 A	6/1977	Amerine	5,607,079 A	3/1997	Delaby et al.
D245,407 S	8/1977	Ware	5,617,974 A	4/1997	Sawyer
4,062,496 A	12/1977	Melton	5,638,988 A	6/1997	Rogers et al.
4,071,170 A	1/1978	Gunzel et al.	5,641,223 A	6/1997	Rustebakke
4,089,441 A	5/1978	Cole et al.	D381,600 S	7/1997	Yurkovic
4,095,705 A	6/1978	Hood	5,651,214 A	7/1997	Zucker et al.
4,118,891 A	10/1978	Kehl et al.	D384,679 S	10/1997	Havlovitz et al.
4,121,733 A	10/1978	McRoskey et al.	D387,638 S	12/1997	DeLaby et al.
4,140,280 A	2/1979	Allen et al.	5,720,129 A	2/1998	Lantinberg
4,170,844 A	10/1979	Steele	5,799,439 A	9/1998	MacGregor
4,180,184 A	12/1979	Florer et al.	5,842,648 A	12/1998	Havlovitz et al.
4,184,287 A	1/1980	Roth	5,865,269 A	2/1999	Eskesen
4,185,782 A	1/1980	Belrose	5,873,533 A	2/1999	Sandbrook
4,236,353 A	12/1980	Sorenson	D409,947 S	5/1999	Bongard et al.
4,276,720 A	7/1981	Lyon	5,921,025 A	7/1999	Smith
4,285,164 A	8/1981	Moore	5,934,573 A	8/1999	Weterrings et al.
4,294,037 A	10/1981	Mosse et al.	5,941,182 A	8/1999	Greene
4,299,054 A	11/1981	Ware	D413,903 S	9/1999	Spear
4,386,719 A	6/1983	Serizawa	D413,904 S	9/1999	Spear
4,387,852 A	6/1983	Mattson et al.	D414,783 S	10/1999	Spear
4,407,092 A	10/1983	Ware	5,992,134 A	11/1999	Blide et al.
4,428,151 A	1/1984	Solomon	6,019,484 A	2/2000	Seyler
4,442,975 A	4/1984	Long et al.	6,024,294 A	2/2000	Dillon
4,483,486 A	11/1984	Magda	6,047,909 A	4/2000	Simpson
4,487,370 A	12/1984	Speicher	6,092,746 A	7/2000	Dillon
4,492,341 A	1/1985	Allen	6,138,927 A	10/2000	Spear et al.
D278,989 S	5/1985	Baumann	6,145,711 A	11/2000	Prosper et al.
4,541,765 A	9/1985	Moore	6,149,079 A	11/2000	Kinkead et al.
4,588,133 A	5/1986	Brabb et al.	6,178,692 B1	1/2001	Graven
D284,666 S	7/1986	Amerine	6,219,966 B1	4/2001	Lapointe et al.
4,597,531 A	7/1986	Kise	6,219,968 B1	4/2001	Belger et al.
4,635,818 A	1/1987	Glass	6,233,871 B1	5/2001	Ho
4,671,434 A	6/1987	Johnston et al.	6,240,861 B1	6/2001	Memory
4,678,377 A	7/1987	Bouchard	6,276,089 B1	8/2001	Boisclair et al.
4,769,945 A	9/1988	Motoyama et al.	6,418,644 B1	7/2002	Bykov et al.
4,798,325 A	1/1989	Block	6,418,664 B1	7/2002	Shaw
4,833,825 A	5/1989	Sprung	6,425,500 B2	7/2002	McNally
4,867,381 A	9/1989	Speicher	6,499,679 B1	12/2002	Woodruff et al.
4,884,366 A	12/1989	Morton	6,550,739 B1	4/2003	Brindisi
4,916,858 A	4/1990	Hobson	6,574,917 B2	6/2003	Boxsell
			6,588,685 B2	7/2003	Woodruff et al.
			6,616,074 B2	9/2003	Courtney et al.
			D485,207 S	1/2004	Dion
			6,698,624 B2	3/2004	Ufheil et al.

(56)

References Cited

U.S. PATENT DOCUMENTS

6,702,208 B1 3/2004 Radler et al.  
 6,729,557 B2 5/2004 Dillon  
 6,782,656 B2 8/2004 Washburn  
 D495,621 S 9/2004 Sikina  
 6,817,552 B2 11/2004 Kinkead et al.  
 6,840,468 B2 1/2005 Barnett  
 6,851,634 B2 2/2005 Woodruff et al.  
 7,150,413 B1 12/2006 Bricko et al.  
 7,281,675 B2 10/2007 Elrod et al.  
 7,281,998 B2 10/2007 Tanner  
 7,328,861 B2 2/2008 Sagol et al.  
 7,380,734 B2 6/2008 Magnusson  
 D575,668 S 8/2008 Rashid et al.  
 7,426,802 B2 9/2008 Umbaugh, Jr.  
 D586,255 S 2/2009 Rashid et al.  
 D586,688 S 2/2009 Bromley et al.  
 D598,809 S 8/2009 Smith et al.  
 7,587,859 B2 9/2009 Bradley  
 D602,045 S 10/2009 Choi et al.  
 D602,046 S 10/2009 Choi et al.  
 D604,196 S 11/2009 Bissonnette et al.  
 D604,197 S 11/2009 Bissonnette et al.  
 D610,590 S 2/2010 Choi et al.  
 D610,591 S 2/2010 Choi et al.  
 7,676,988 B2 3/2010 Bradley  
 D623,667 S 9/2010 Cichy et al.  
 7,805,866 B1 10/2010 Osgood  
 7,805,886 B2 10/2010 Brandsttter  
 D632,606 S 2/2011 Jalet  
 7,984,586 B2 7/2011 Brusatore  
 8,011,135 B2 9/2011 Masser et al.  
 8,272,584 B2 9/2012 Barnett et al.  
 8,757,519 B2 6/2014 Cichy et al.  
 8,757,520 B2 6/2014 Cichy et al.  
 8,757,521 B2 6/2014 Cichy et al.  
 D718,792 S 12/2014 Lapham  
 D724,105 S \* 3/2015 Kendall ..... D15/13  
 9,016,518 B2 4/2015 Poul et al.  
 D729,987 S 5/2015 Holm et al.  
 D729,988 S 5/2015 Holm et al.  
 D758,454 S \* 6/2016 Kendall ..... D15/13  
 9,820,430 B2 11/2017 Kendall et al.  
 9,988,780 B2 6/2018 Kohn  
 D824,428 S \* 7/2018 Stewart ..... D15/13  
 D829,773 S \* 10/2018 Stewart ..... D15/13  
 D853,446 S \* 7/2019 Horeth ..... D15/13  
 D855,421 S \* 8/2019 Hsu ..... D8/2  
 D860,261 S \* 9/2019 Hsu ..... D15/13  
 D873,865 S \* 1/2020 Campbell ..... D15/13  
 D875,789 S \* 2/2020 Shobe ..... D15/28  
 2001/0047617 A1 12/2001 Blossom  
 2001/0047618 A1 12/2001 Fang et al.

2002/0014545 A1 2/2002 Woodruff et al.  
 2002/0129883 A1 9/2002 O'Coin  
 2002/0162907 A1 11/2002 Courtney et al.  
 2003/0140556 A1 7/2003 Frogley  
 2003/0192968 A1 10/2003 Courtney et al.  
 2005/0155286 A1 7/2005 Soukup  
 2005/0204620 A1 9/2005 Butterfield et al.  
 2005/0246954 A1 11/2005 Bissonnette et al.  
 2005/0246955 A1 11/2005 Bissonnette et al.  
 2005/0258284 A1 11/2005 Magnusson  
 2006/0048712 A1 3/2006 Boyer  
 2006/0157518 A1 7/2006 Havlovitz et al.  
 2006/0162251 A1 7/2006 Yamaguchi  
 2006/0179711 A1 8/2006 Bissonnette et al.  
 2007/0194155 A1 8/2007 Kendall  
 2007/0244605 A1 10/2007 Hopkins  
 2008/0078850 A1 4/2008 Bowsher  
 2008/0282610 A1 11/2008 Bissonnette et al.  
 2010/0107489 A1 5/2010 Silver  
 2010/0162624 A1 7/2010 Bradley  
 2010/0175318 A1 7/2010 Ahmadi  
 2010/0263274 A1 10/2010 Corak et al.  
 2010/0265697 A1 10/2010 Fredricks  
 2011/0068162 A1 3/2011 Patterson et al.  
 2011/0068235 A1 3/2011 Patterson et al.  
 2011/0219683 A1 9/2011 Sutton  
 2011/0232190 A1 9/2011 Pindus et al.  
 2011/0283614 A1 11/2011 Jaensch  
 2011/0297763 A1 12/2011 Kressy et al.  
 2012/0277117 A1 11/2012 Zayed et al.  
 2013/0001332 A1 1/2013 Marconi, Jr.  
 2013/0105592 A1 5/2013 Kendall et al.  
 2013/0175370 A1 7/2013 Ewringmann et al.  
 2014/0166785 A1 6/2014 Barnett et al.  
 2014/0263484 A1 9/2014 Marconi  
 2015/0136880 A1 5/2015 Cichy et al.  
 2016/0106028 A1 4/2016 Kendall et al.  
 2016/0316615 A1 11/2016 Papke

FOREIGN PATENT DOCUMENTS

DE 202004002478 U1 8/2004  
 DE 202005017432 U1 2/2006  
 DE 102005020735 A1 8/2006  
 DE 102006046972 A1 4/2008  
 DE 102011104738 A1 12/2012  
 DE 202013002363 U1 6/2013  
 DE 202014101884 U1 6/2014  
 DE 202012013023 U1 9/2014  
 EP 2794995 B1 1/2016  
 GB 2406322 A 3/2005  
 GB 2506006 A 3/2014  
 WO 2013063438 A2 5/2013  
 WO 2018156958 A1 8/2018

\* cited by examiner

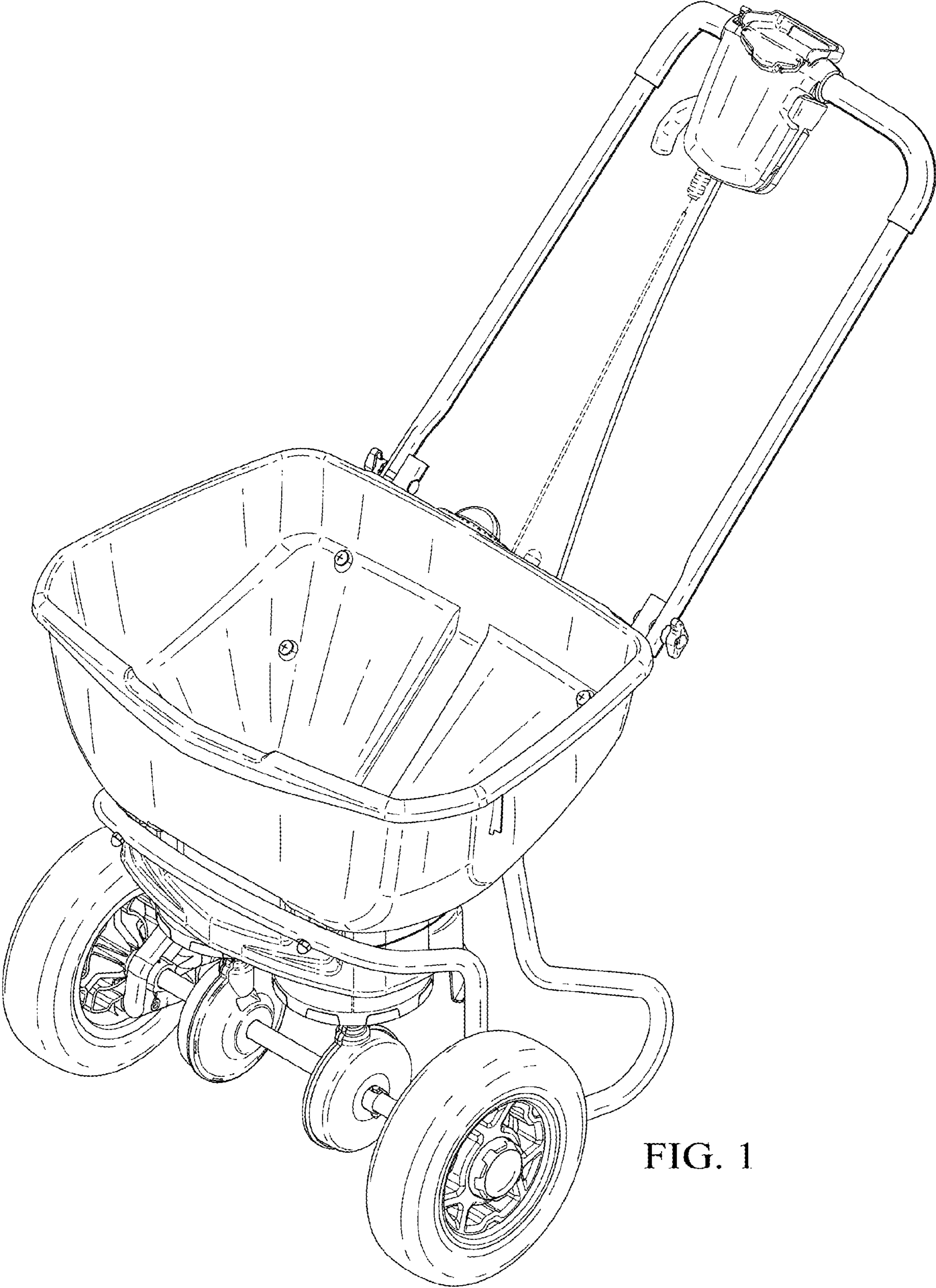


FIG. 1

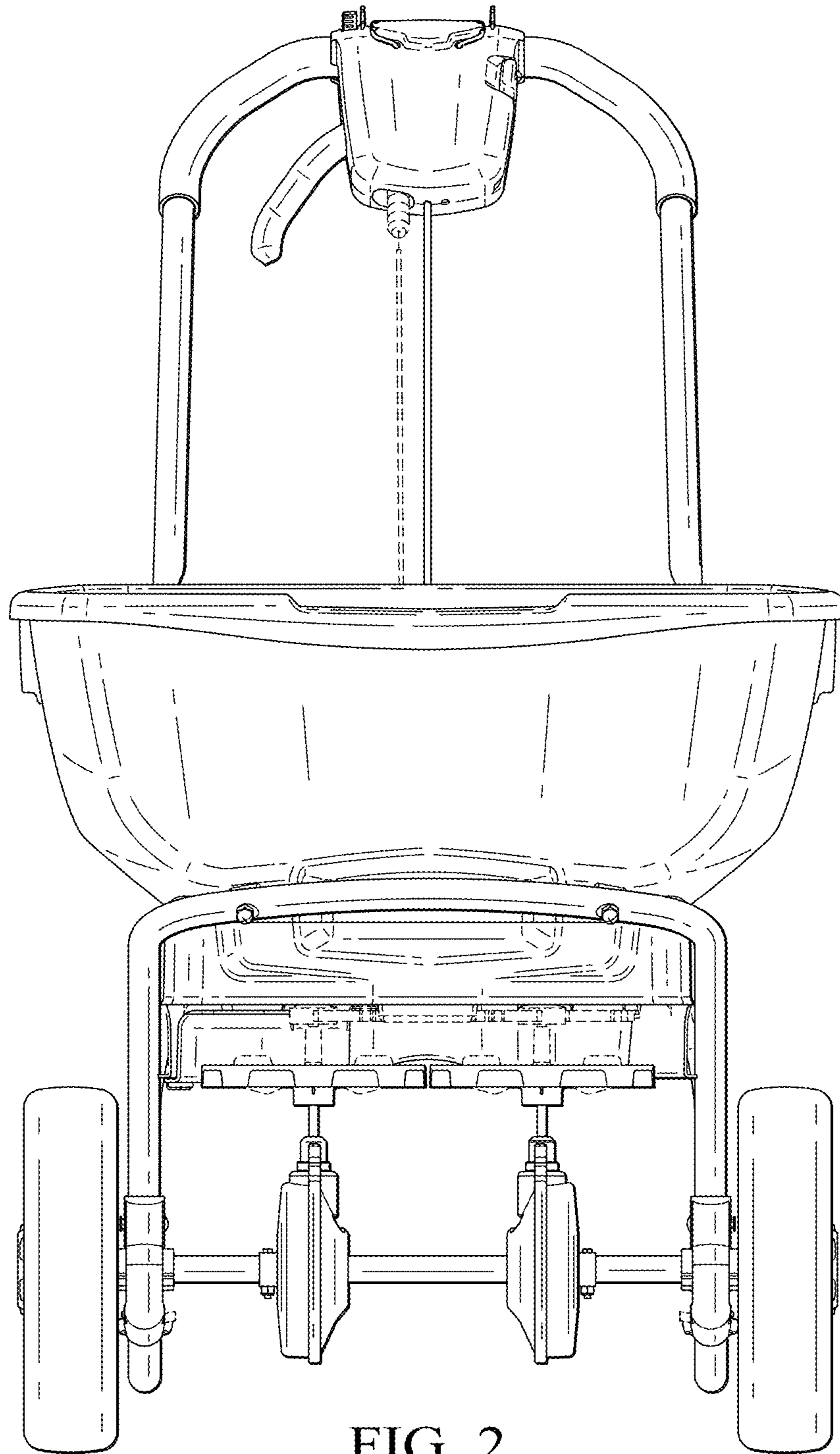


FIG. 2

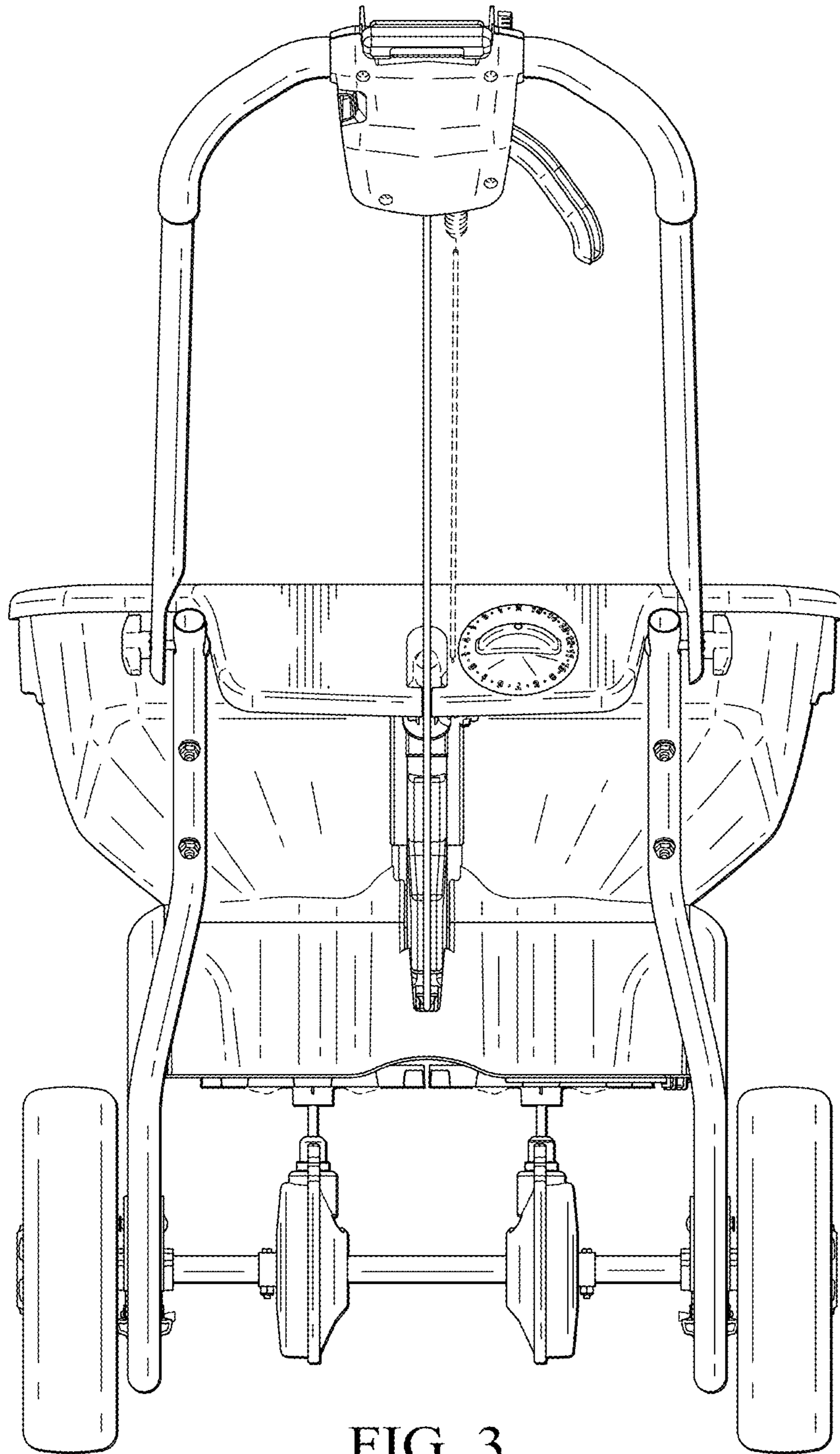


FIG. 3

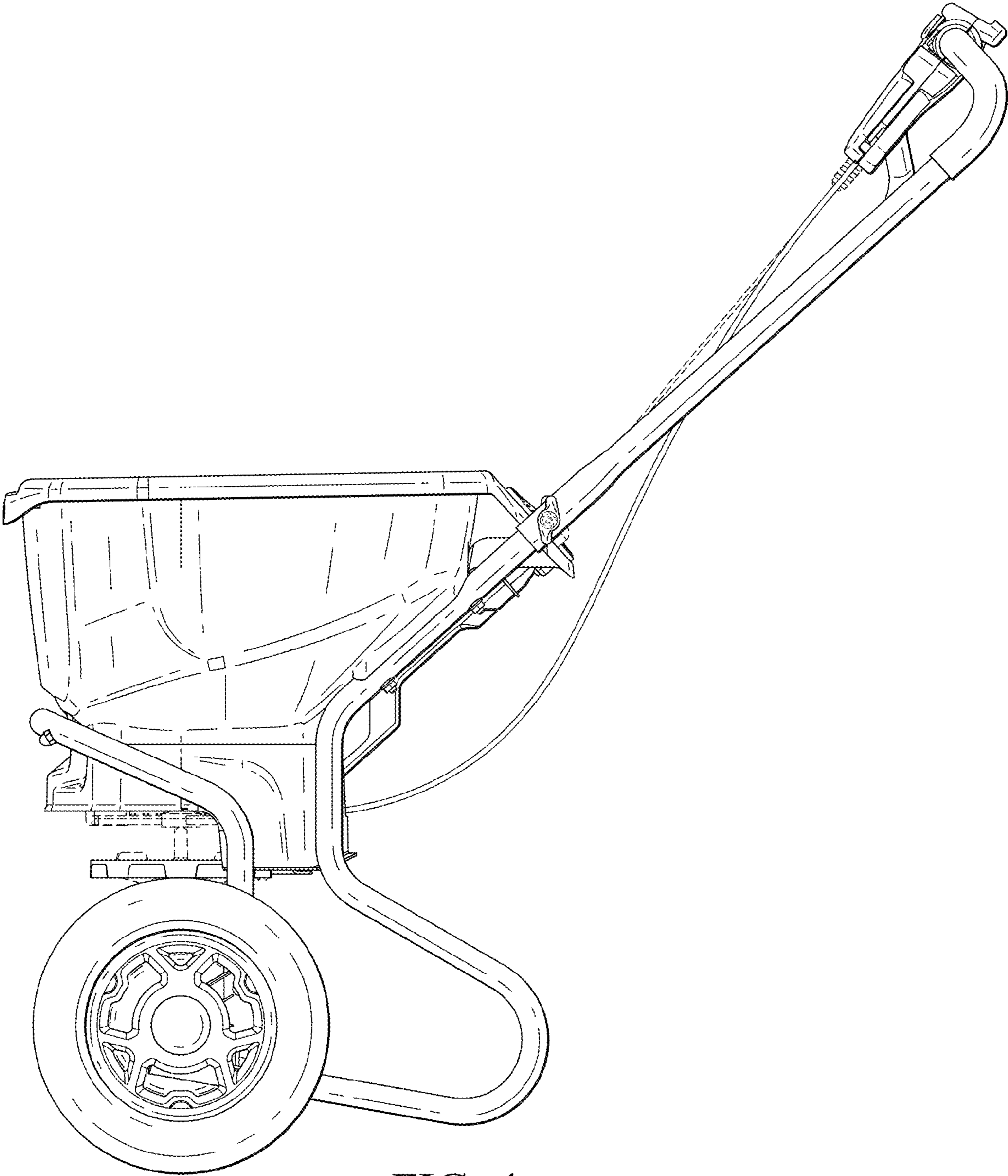


FIG. 4

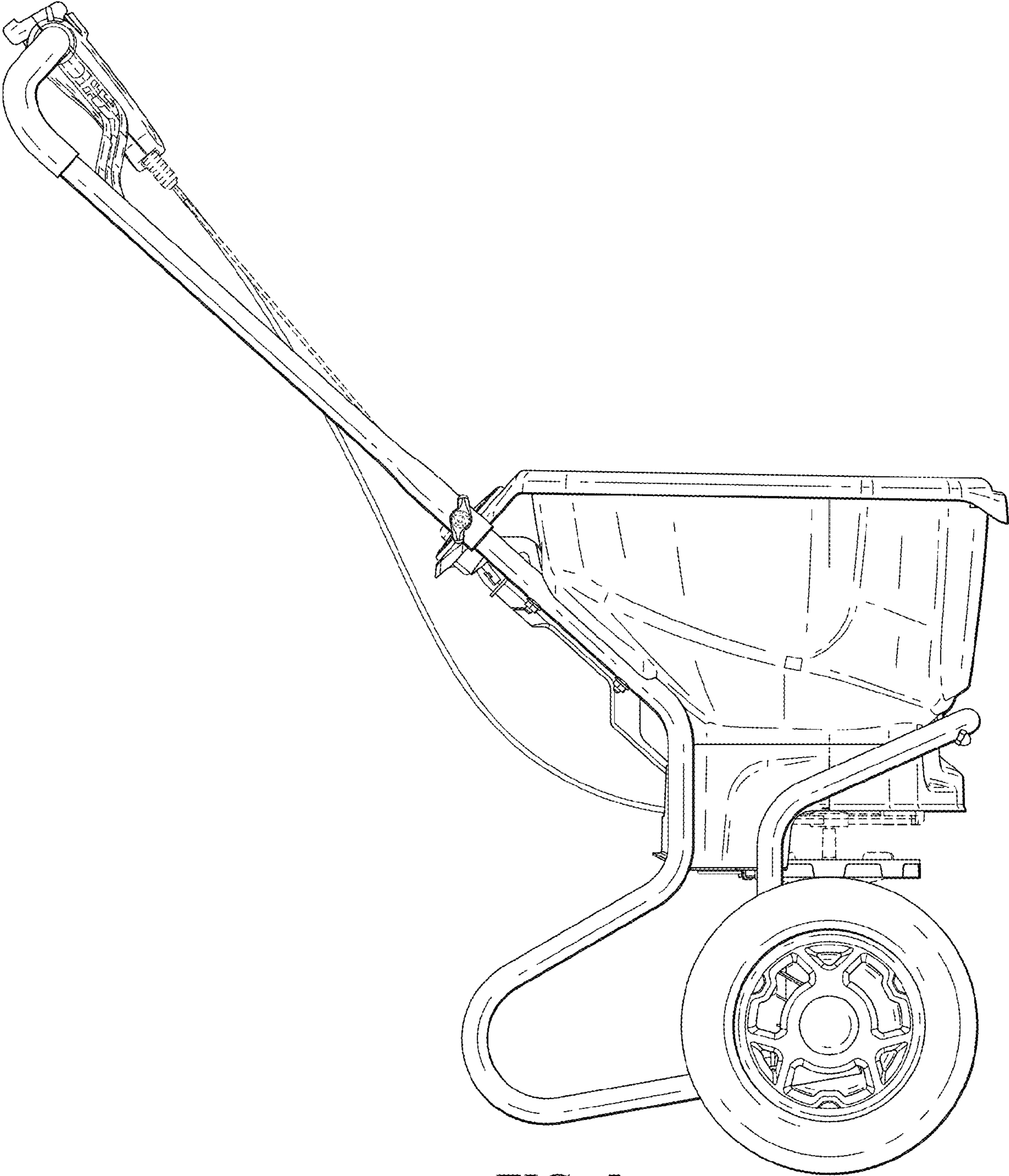


FIG. 5



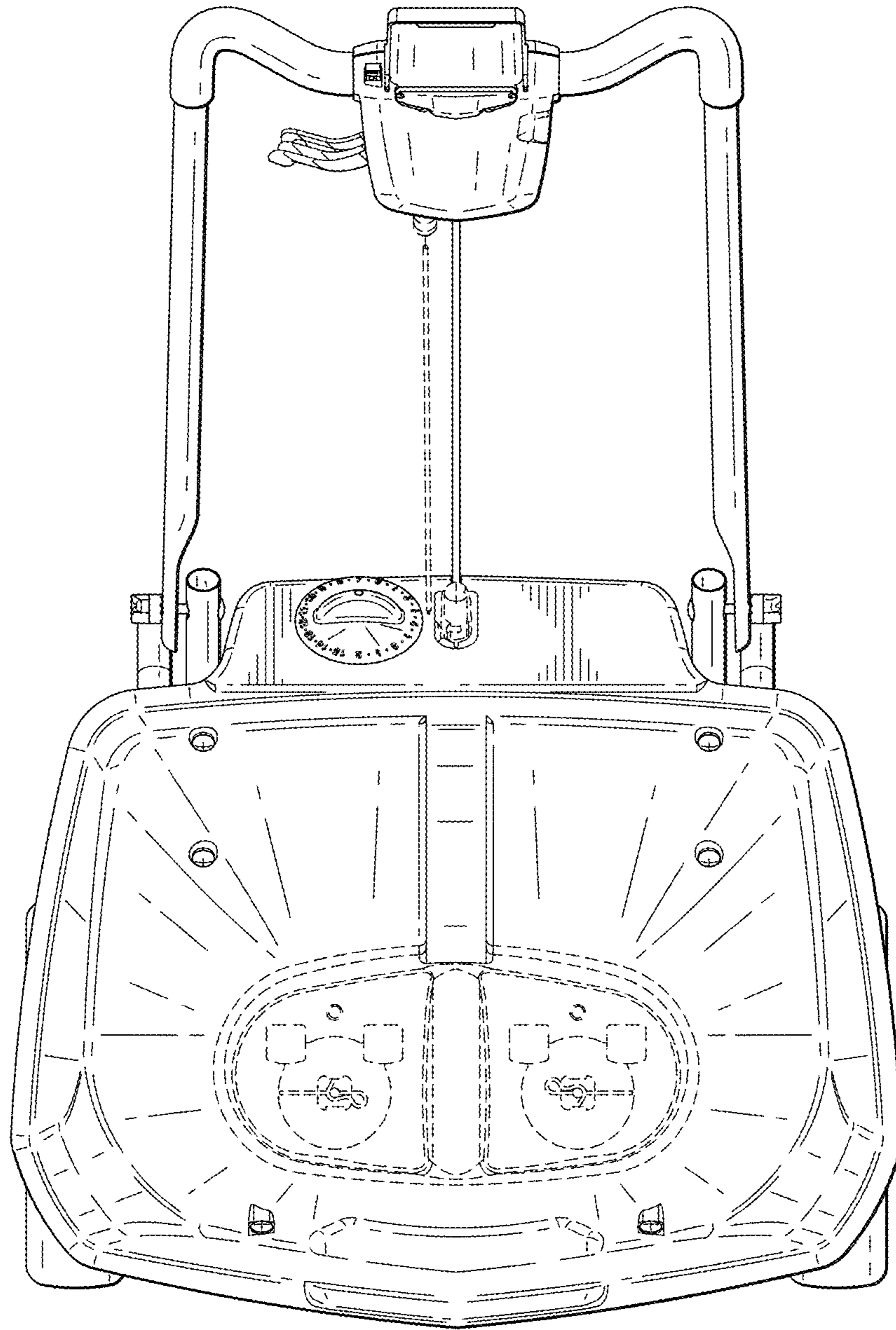


FIG. 6

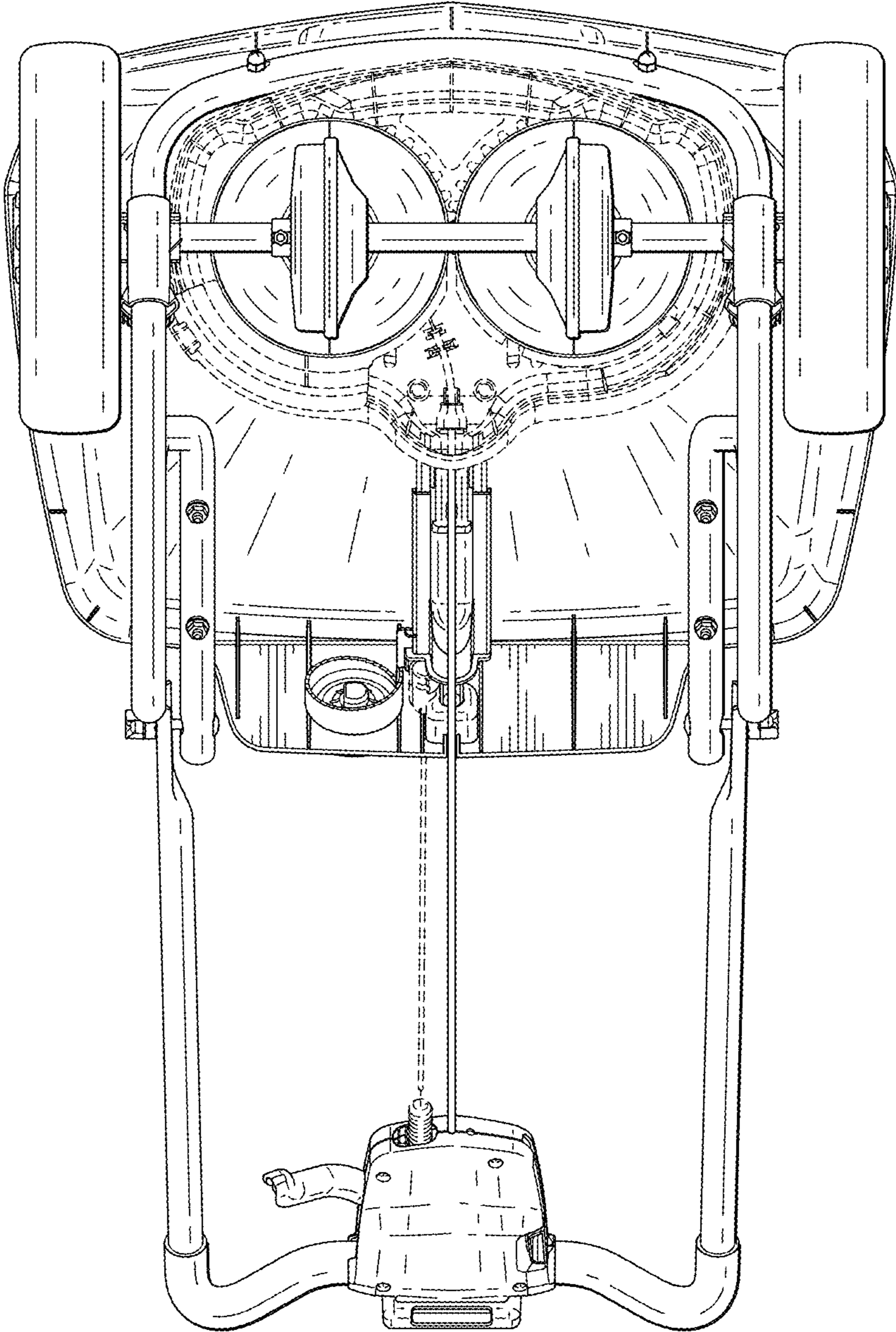


FIG. 7

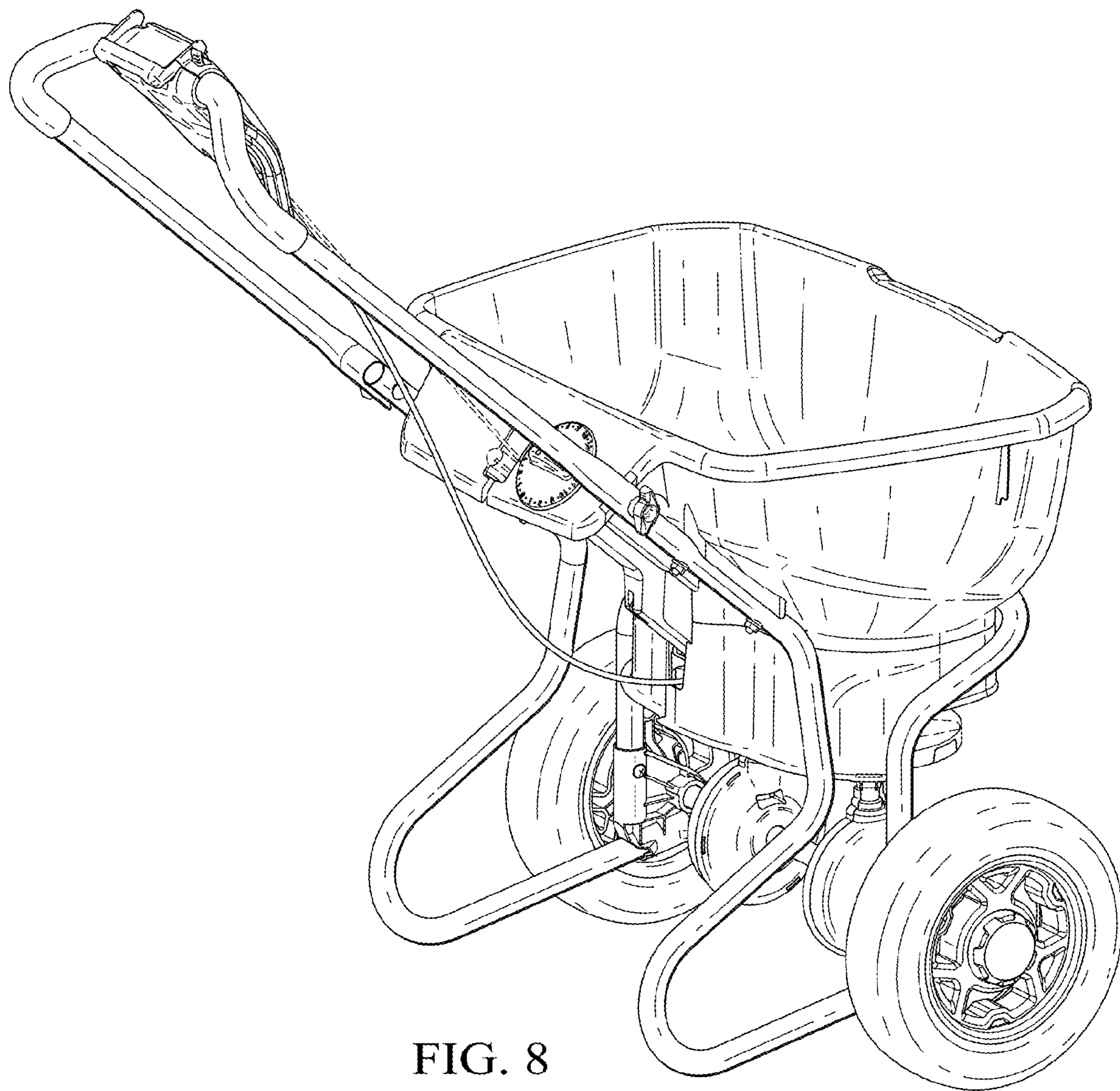


FIG. 8