



US00D909420S

(12) **United States Design Patent** (10) **Patent No.:** **US D909,420 S**
Nemoto et al. (45) **Date of Patent:** **** Feb. 2, 2021**

(54) **FLUID PRESSURE CYLINDER**

(71) Applicant: **SMC CORPORATION**, Tokyo (JP)
(72) Inventors: **Shinichiro Nemoto**, Tsukubamirai (JP);
Yuu Mizutani, Tsukubamirai (JP);
Masahiko Kawakami, Tsukubamirai (JP);
Sho Aso, Tsukubamirai (JP);
Shuichi Shibuya, Tsukubamirai (JP)
(73) Assignee: **SMC CORPORATION**, Tokyo (JP)

(**) Term: **15 Years**
(21) Appl. No.: **29/706,573**
(22) Filed: **Sep. 20, 2019**

(30) **Foreign Application Priority Data**
Mar. 29, 2019 (CN) 2019 3 0137100
(51) **LOC (13) Cl.** **15-02**
(52) **U.S. Cl.**
USPC **D15/7**
(58) **Field of Classification Search**
USPC D15/7, 9, 143, 148, 149, 199; D10/85;
D23/225, 233, 235
(Continued)

(56) **References Cited**
U.S. PATENT DOCUMENTS
D295,753 S * 5/1988 LaBair D15/7
4,825,746 A * 5/1989 Herner F15B 15/082
188/271
(Continued)

FOREIGN PATENT DOCUMENTS
CN 304699600 S 6/2018
JP D1615186 S 10/2018
JP D1615187 S 10/2018

OTHER PUBLICATIONS
SMC, Compact Air Cylinder—Standard Type, 2 in Bore, (first available Jul. 19, 2019), Amazon.com, URL:<<https://www.amazon.com/Compact-Air-Cylinder-Standard-Type/dp/B7VJX3FJS>> (Year: 2019).*

com/Compact-Air-Cylinder-Standard-Type/dp/B7VJX3FJS> (Year: 2019).*

(Continued)

Primary Examiner — Sheryl Lane
Assistant Examiner — Mark T Philipps
(74) *Attorney, Agent, or Firm* — Birch, Stewart, Kolasch & Birch, LLP

(57) **CLAIM**

The ornamental design for a fluid pressure cylinder, as shown and described.

DESCRIPTION

FIG. 1 is a front, top and left side perspective view of a fluid pressure cylinder showing a first embodiment of our new design;
FIG. 2 is a rear, bottom and right side perspective view thereof;
FIG. 3 is a front view thereof;
FIG. 4 is a rear view thereof;
FIG. 5 is a top plan view thereof;
FIG. 6 is a bottom plan view thereof;
FIG. 7 is a left side view thereof;
FIG. 8 is a right side view thereof;
FIG. 9 is a front, top and left side perspective view of a fluid pressure cylinder showing a second embodiment of our new design;
FIG. 10 is a rear, bottom and right side perspective view of FIG. 9;
FIG. 11 is a front view of FIG. 9;
FIG. 12 is a rear view of FIG. 9;
FIG. 13 is a top plan view of FIG. 9;
FIG. 14 is a bottom plan view of FIG. 9;
FIG. 15 is a left side view of FIG. 9;
FIG. 16 is a right side view of FIG. 9;
FIG. 17 is a front, top and left side perspective view of a fluid pressure cylinder showing a third embodiment of our new design;
FIG. 18 is a rear, bottom and right side perspective view of FIG. 17;
FIG. 19 is a front view of FIG. 17;
(Continued)

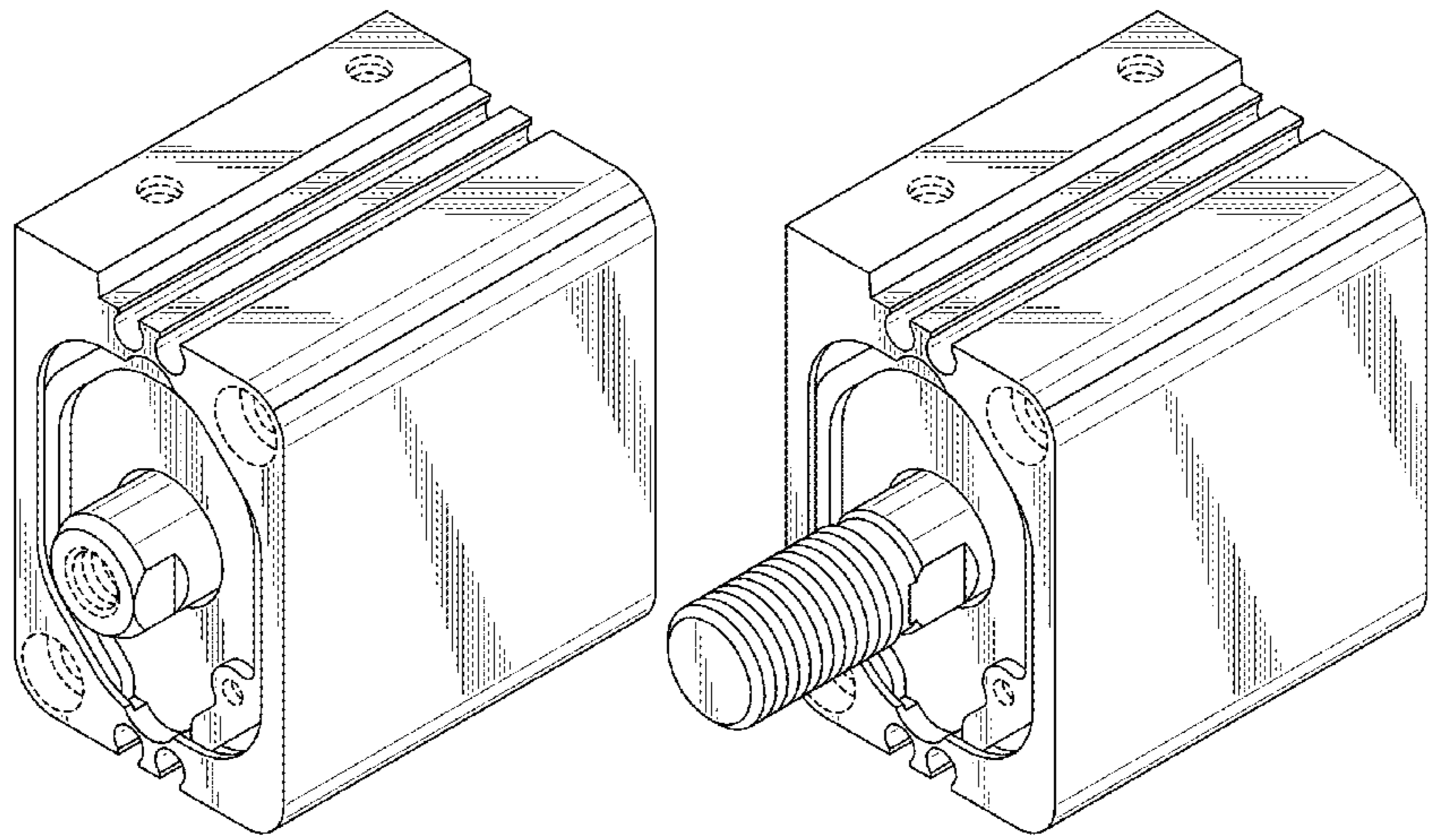


FIG. 20 is a rear view of FIG. 17;
 FIG. 21 is a top plan view of FIG. 17;
 FIG. 22 is a bottom plan view of FIG. 17;
 FIG. 23 is a left side view of FIG. 17;
 FIG. 24 is a right side view of FIG. 17;
 FIG. 25 is a front, top and left side perspective view of a fluid pressure cylinder showing a fourth embodiment of our new design;
 FIG. 26 is a rear, bottom and right side perspective view of FIG. 25;
 FIG. 27 is a front view of FIG. 25;
 FIG. 28 is a rear view of FIG. 25;
 FIG. 29 is a top plan view of FIG. 25;
 FIG. 30 is a bottom plan view of FIG. 25;
 FIG. 31 is a left side view of FIG. 25; and,
 FIG. 32 is a right side view of FIG. 25.
 The broken lines depict portions of the fluid pressure cylinder that form no part of the claimed design.

1 Claim, 32 Drawing Sheets

(58) **Field of Classification Search**

CPC F02M 37/04; F02M 31/14; F04D 29/4286;
 F15B 15/14; F15B 15/16; F15B 15/26;
 F15B 15/1919; F15B 15/1414; F15B
 15/00; F15B 15/08
 See application file for complete search history.

(56) **References Cited**

U.S. PATENT DOCUMENTS

D303,393 S * 9/1989 Stoll D15/7
 5,163,351 A * 11/1992 Dominka F15B 15/26
 251/31
 D333,474 S * 2/1993 Aizawa D15/5
 D370,683 S * 6/1996 Stahlman D15/7
 5,555,789 A * 9/1996 Rosengren F15B 15/082
 384/57
 D417,457 S * 12/1999 Asahara D15/7
 D420,683 S * 2/2000 Suzuki D15/7
 D428,617 S * 7/2000 Hariwara D15/7
 6,089,111 A * 7/2000 Machijima G01D 11/30
 73/866.5
 6,152,015 A * 11/2000 Migliori F15B 15/1419
 92/177
 D445,704 S * 7/2001 Suzuki D10/85
 D480,405 S * 10/2003 Kleffmann D15/143
 D499,348 S * 12/2004 Matsumoto D10/85
 D500,258 S * 12/2004 Kita D10/85

D500,259 S * 12/2004 Kita D10/85
 D572,282 S * 7/2008 Yaegashi D15/143
 D575,175 S * 8/2008 Suzuki D10/85
 D584,324 S * 1/2009 Yaegashi D15/143
 D600,534 S * 9/2009 Tokumoto D8/354
 D669,097 S * 10/2012 Hariwara D15/7
 D669,098 S * 10/2012 Hariwara D15/7
 D682,901 S * 5/2013 Peschel D15/143
 D685,014 S * 6/2013 Mangold D15/143
 D685,403 S * 7/2013 Mangold D15/143
 D687,516 S * 8/2013 Asaba D23/233
 D689,524 S * 9/2013 Peschel D15/7
 D689,525 S * 9/2013 Peschel D15/7
 D699,759 S * 2/2014 Peschel D15/7
 D699,760 S * 2/2014 Peschel D15/7
 D699,761 S * 2/2014 Peschel D15/7
 D757,120 S * 5/2016 Kudo D15/7
 D760,805 S * 7/2016 Monden D15/7
 D770,595 S * 11/2016 Suzuki D23/233
 D772,302 S * 11/2016 Kudo D15/7
 D780,228 S * 2/2017 Kudo D15/7
 D780,229 S * 2/2017 Kudo D15/7
 D794,164 S * 8/2017 Suzuki D23/233
 D805,559 S * 12/2017 Kudo D15/7
 D805,560 S * 12/2017 Kudo D15/7
 D819,700 S * 6/2018 Kudo D15/7
 D820,321 S * 6/2018 Kudo D15/7
 D825,616 S * 8/2018 Monden D15/9
 D826,285 S * 8/2018 Yaegashi D15/9
 D871,457 S * 12/2019 Ikari D15/7
 D888,769 S * 6/2020 Mizutani D15/7
 D888,770 S * 6/2020 Mizutani D15/7
 D888,771 S * 6/2020 Mizutani D15/7
 D888,772 S * 6/2020 Sato D15/7
 D888,773 S * 6/2020 Sato D15/7
 D888,774 S * 6/2020 Asahara D15/7
 D888,775 S * 6/2020 Sato D15/7
 D890,213 S * 7/2020 Sato D15/7
 D890,214 S * 7/2020 Sato D15/7
 D890,215 S * 7/2020 Sato D15/7
 D892,980 S * 8/2020 Sato D23/233
 D894,965 S * 9/2020 Nagai D15/7
 D899,466 S * 10/2020 Nemoto D15/7
 2011/0126703 A1 * 6/2011 Terasaki F15B 15/2892
 92/5 R
 2017/0298931 A1 * 10/2017 Kudo F15B 15/2861
 2020/0109782 A1 * 4/2020 Odaka F15B 15/14
 2020/0300276 A1 * 9/2020 Tamura F15B 15/14

OTHER PUBLICATIONS

SMC, C(D)Q SX, Compact Cylinder, Double Acting, Single Rod, Low Speed, (site visited Nov. 14, 2020), SCM USA website, URL:<[https://www.smcusa.com/products/C\(D\)Q SX-Compact-Cylinder-Double-Acting-Single-Rod-Low-Speed-53749](https://www.smcusa.com/products/C(D)Q SX-Compact-Cylinder-Double-Acting-Single-Rod-Low-Speed-53749)> (Year: 2020).*

* cited by examiner

FIG. 1

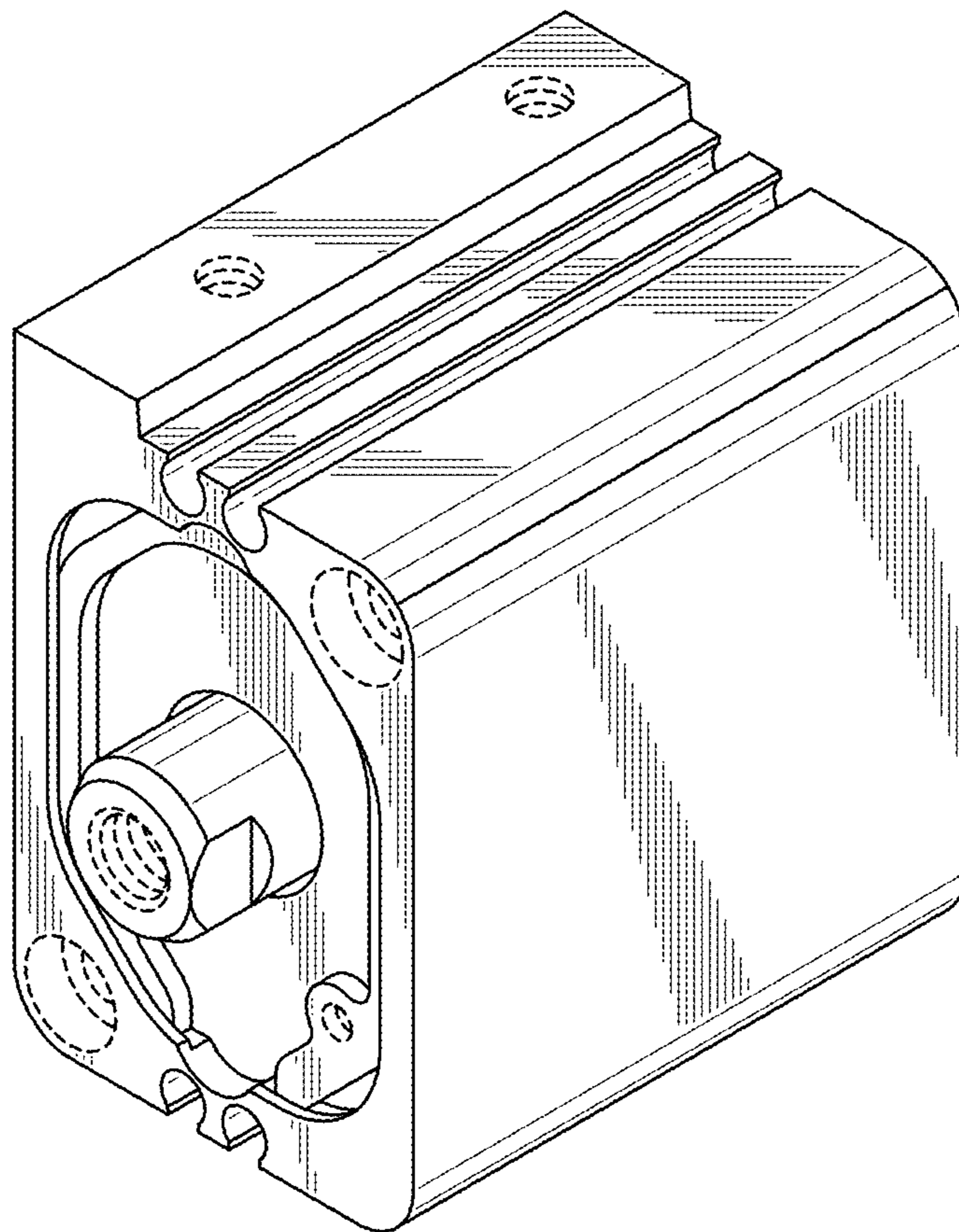


FIG. 2

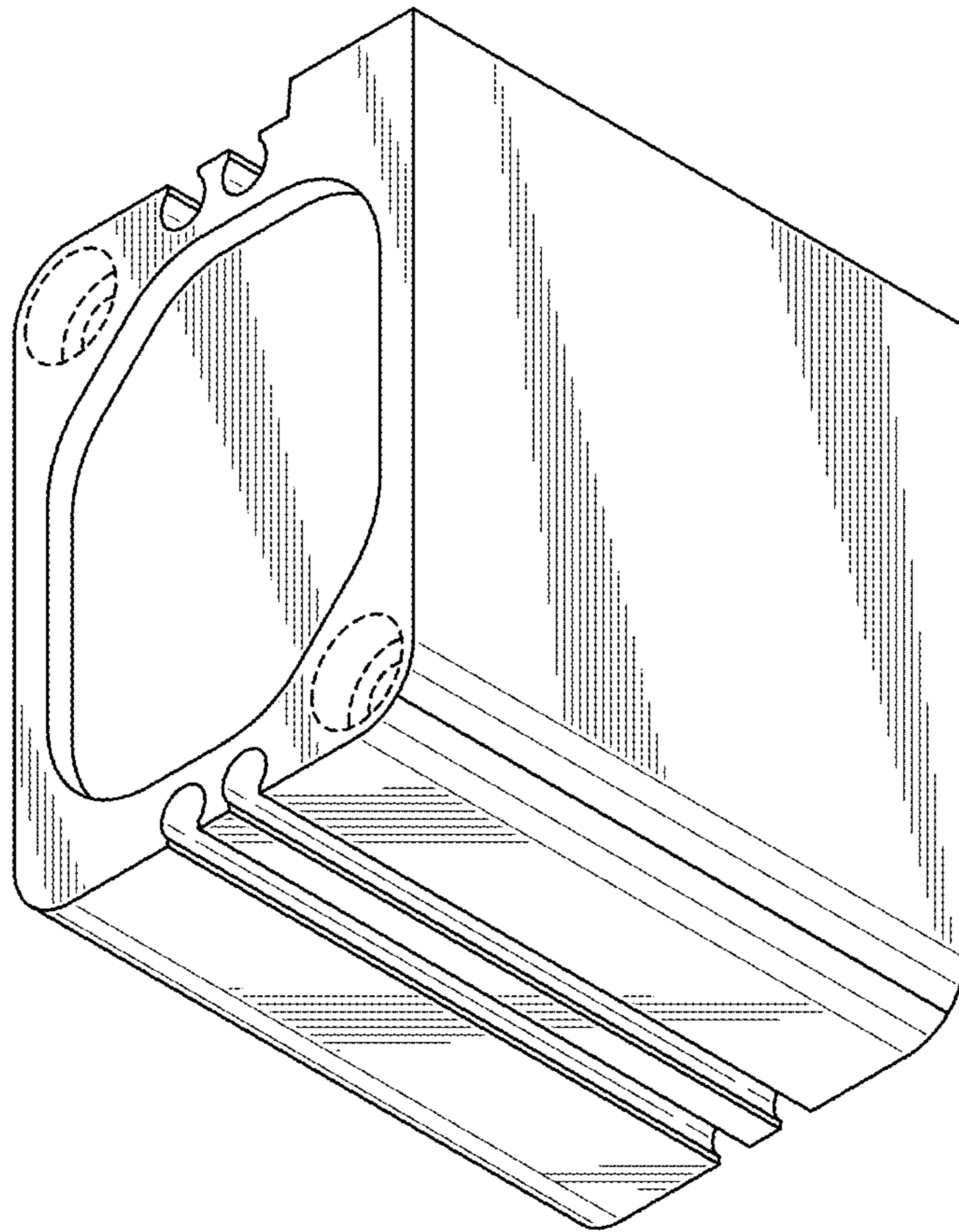


FIG. 3

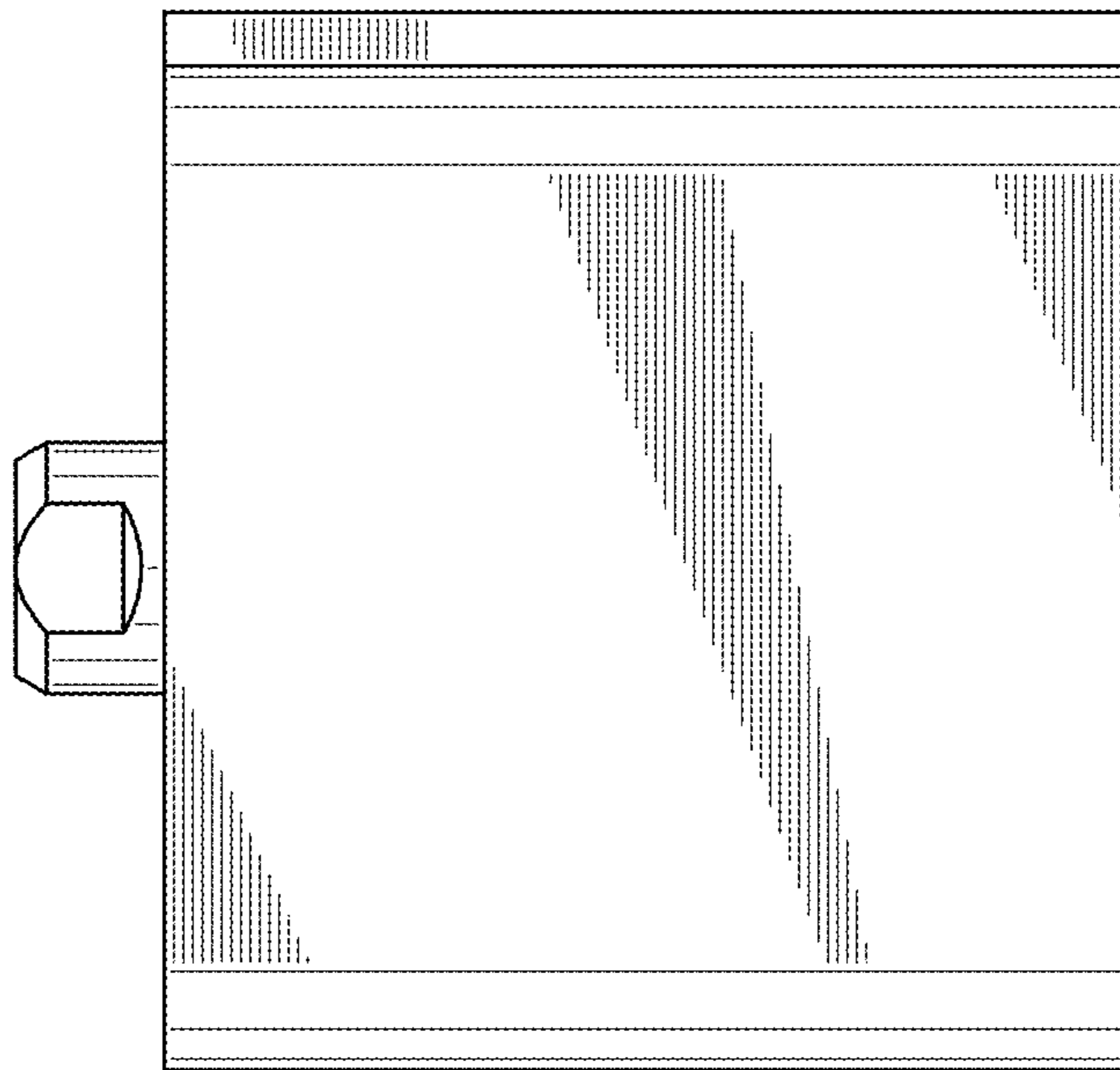


FIG. 4

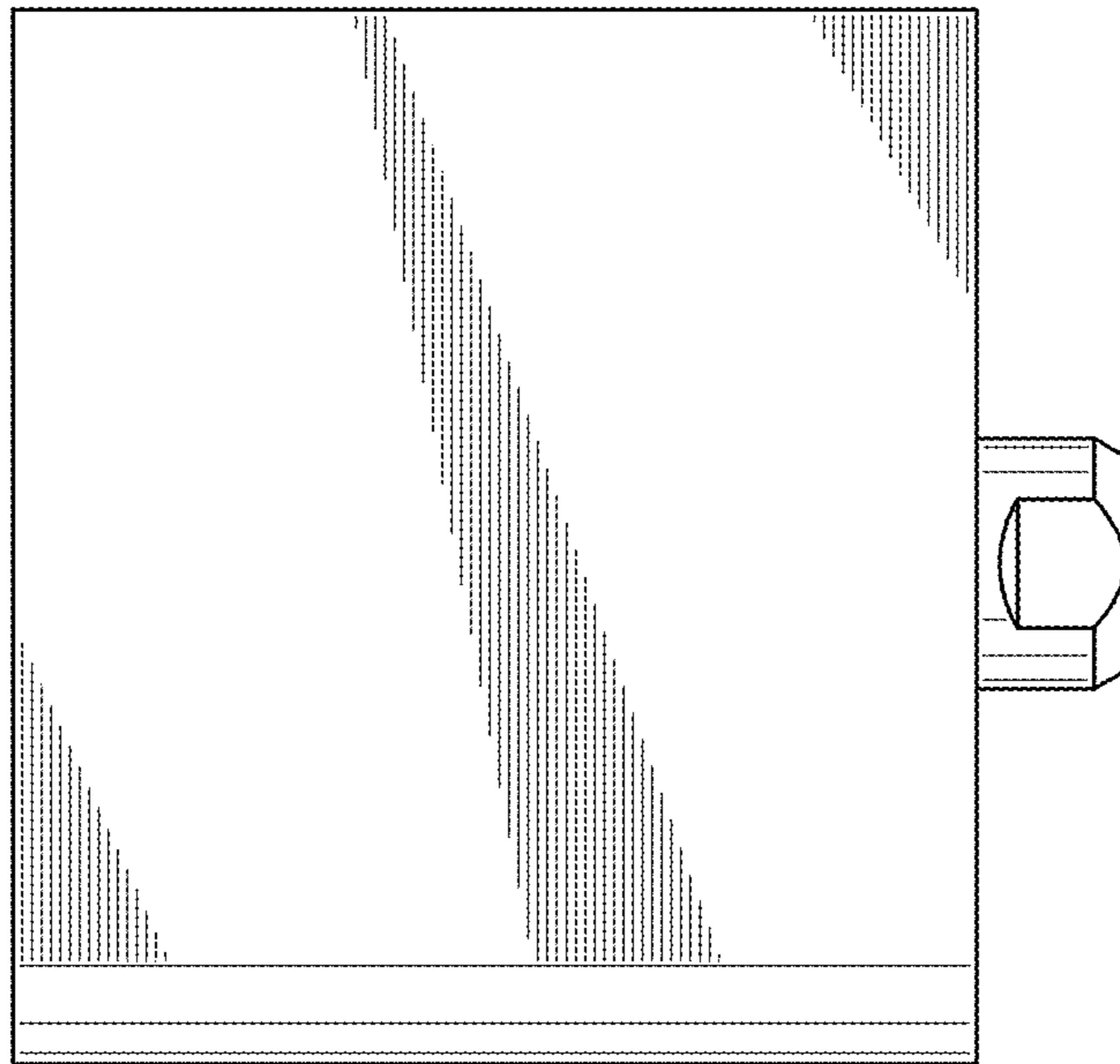


FIG. 5

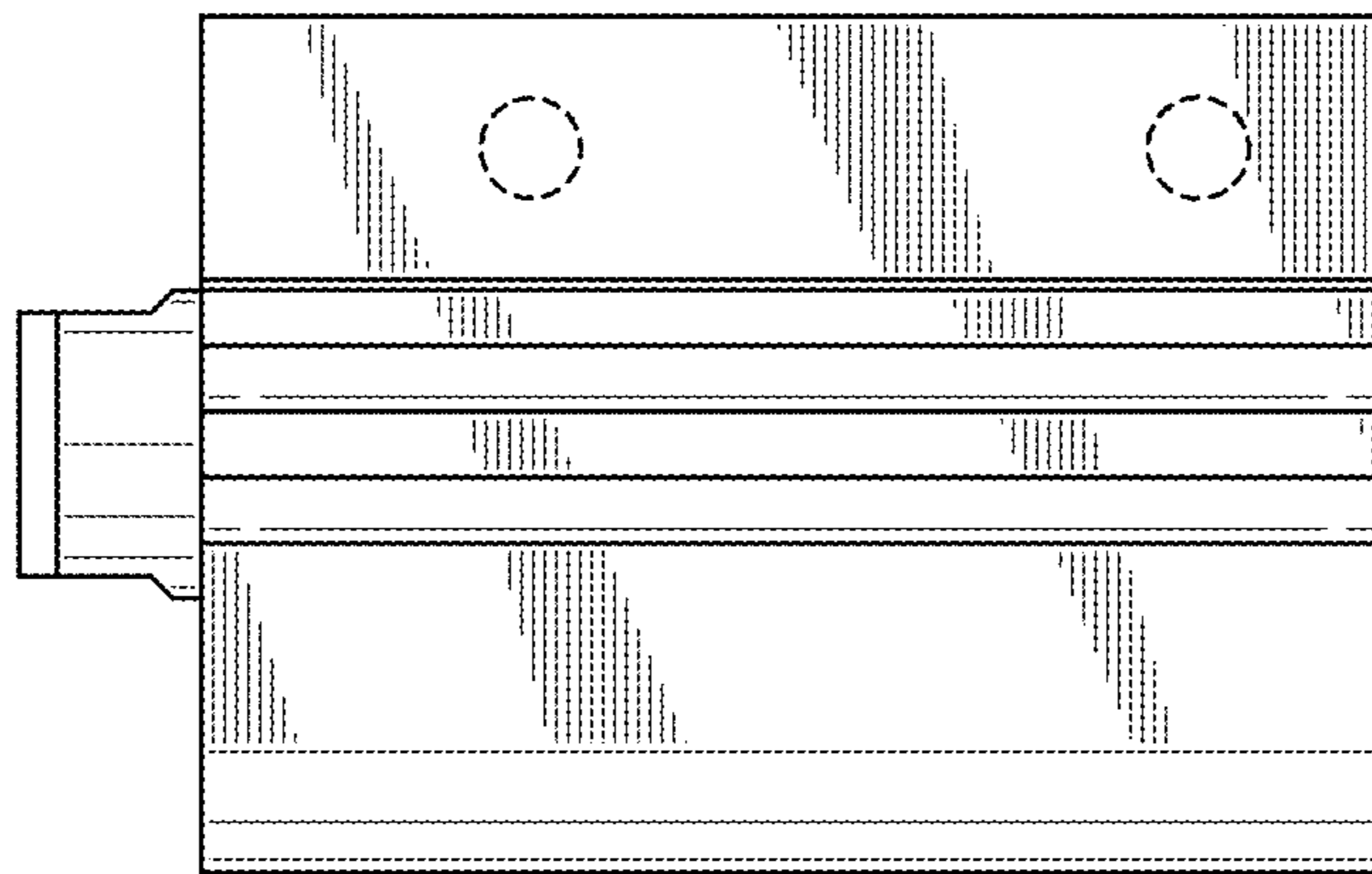


FIG. 6

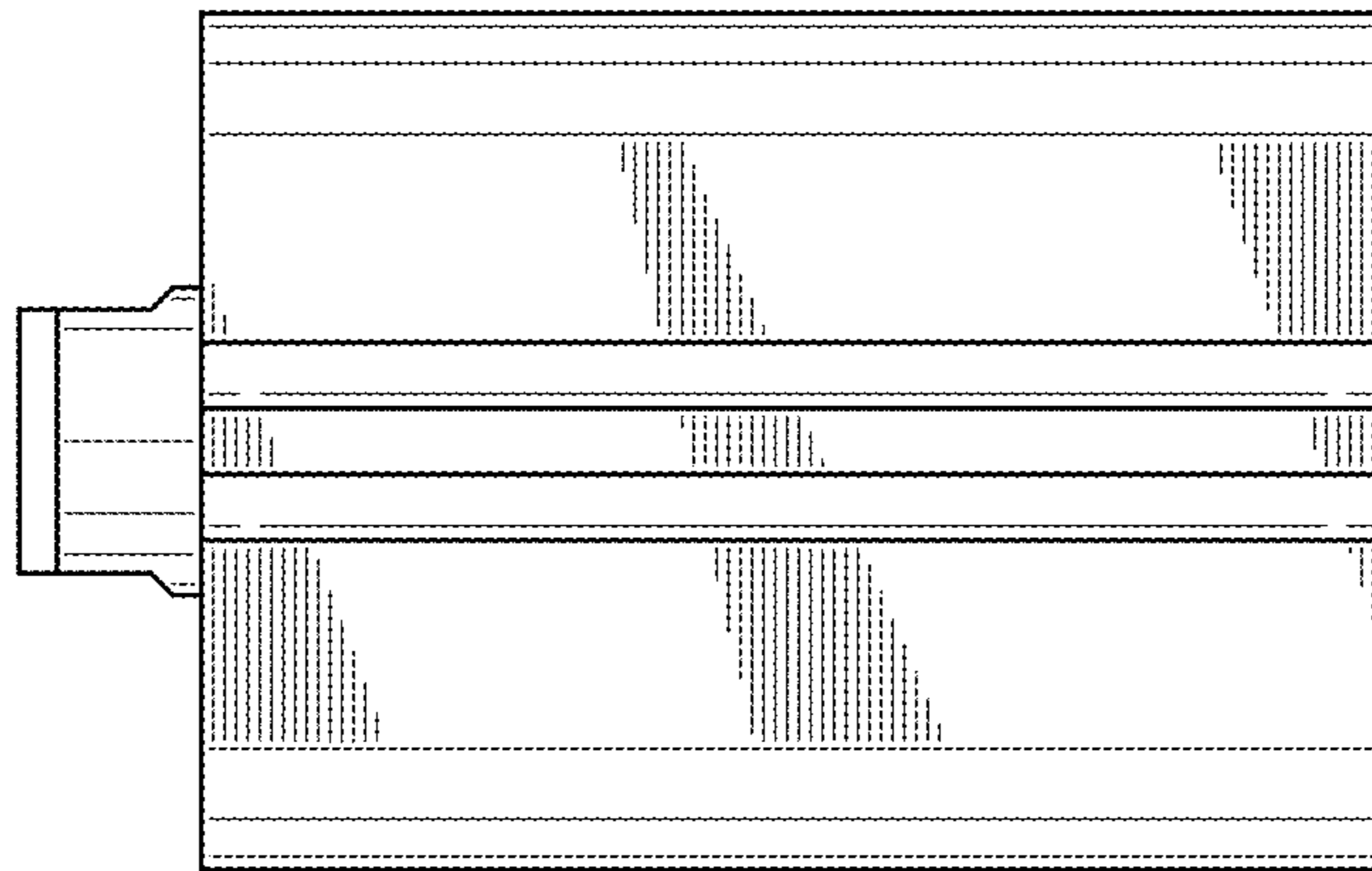


FIG. 7

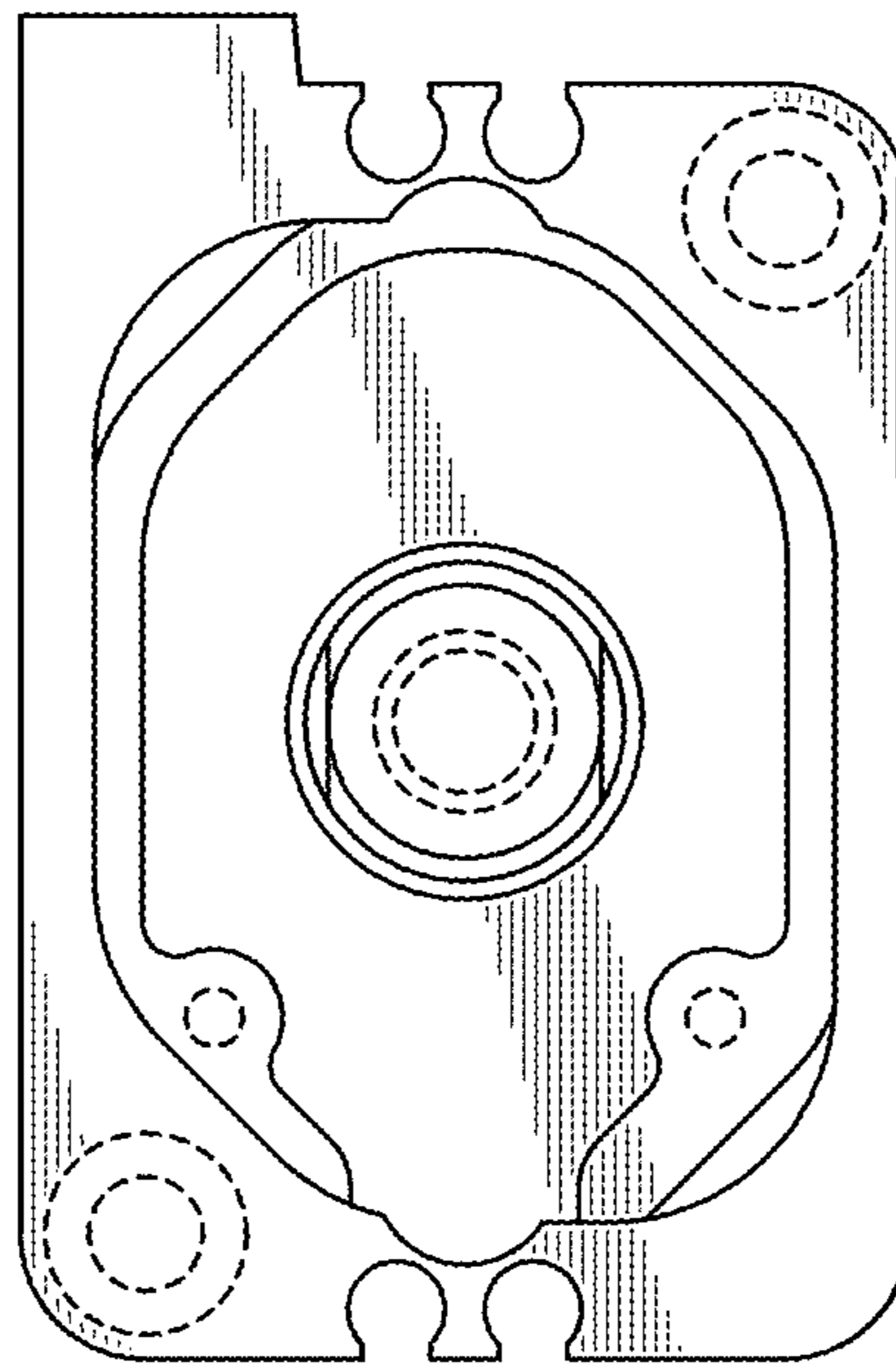


FIG. 8

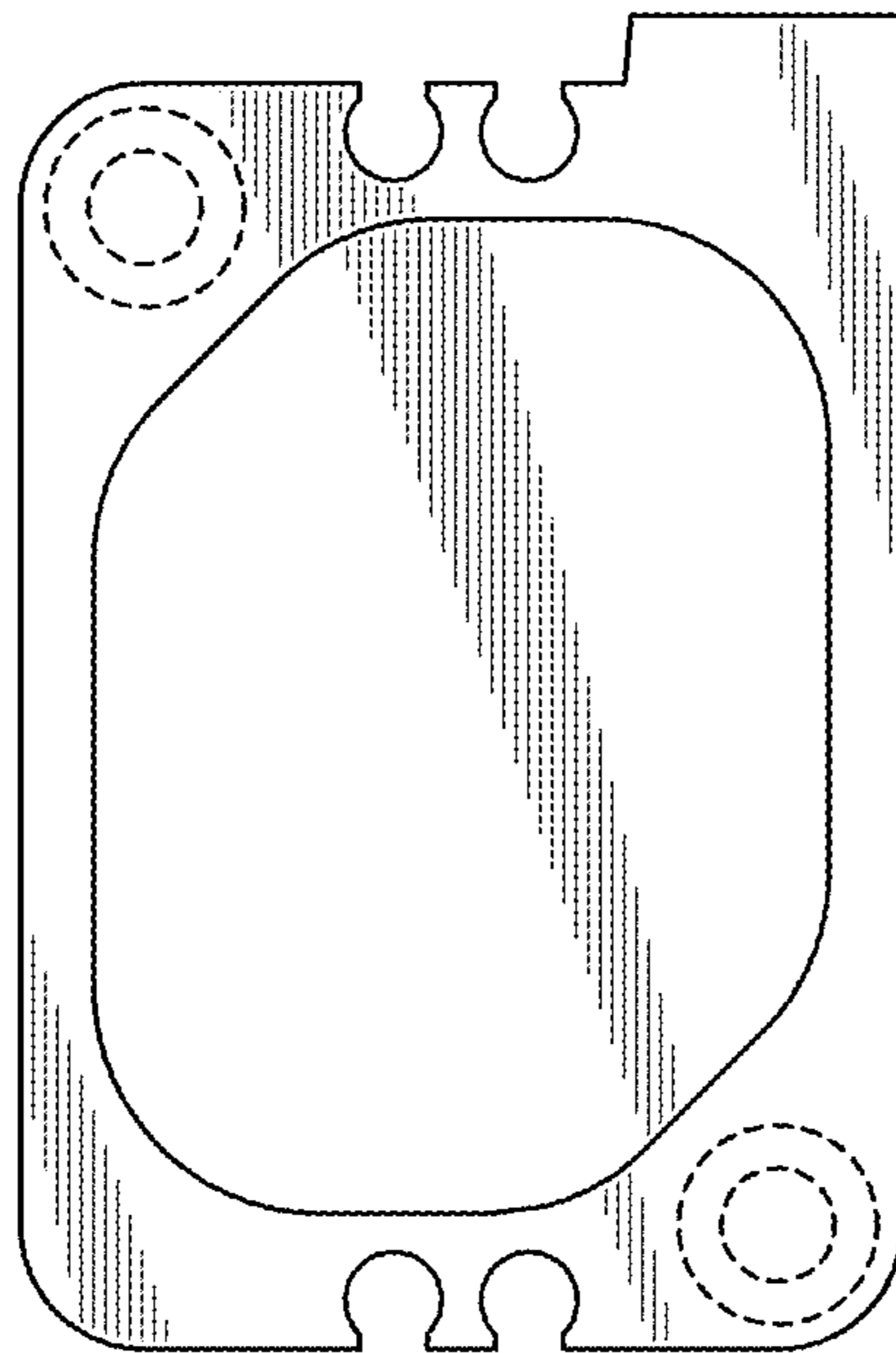


FIG. 9

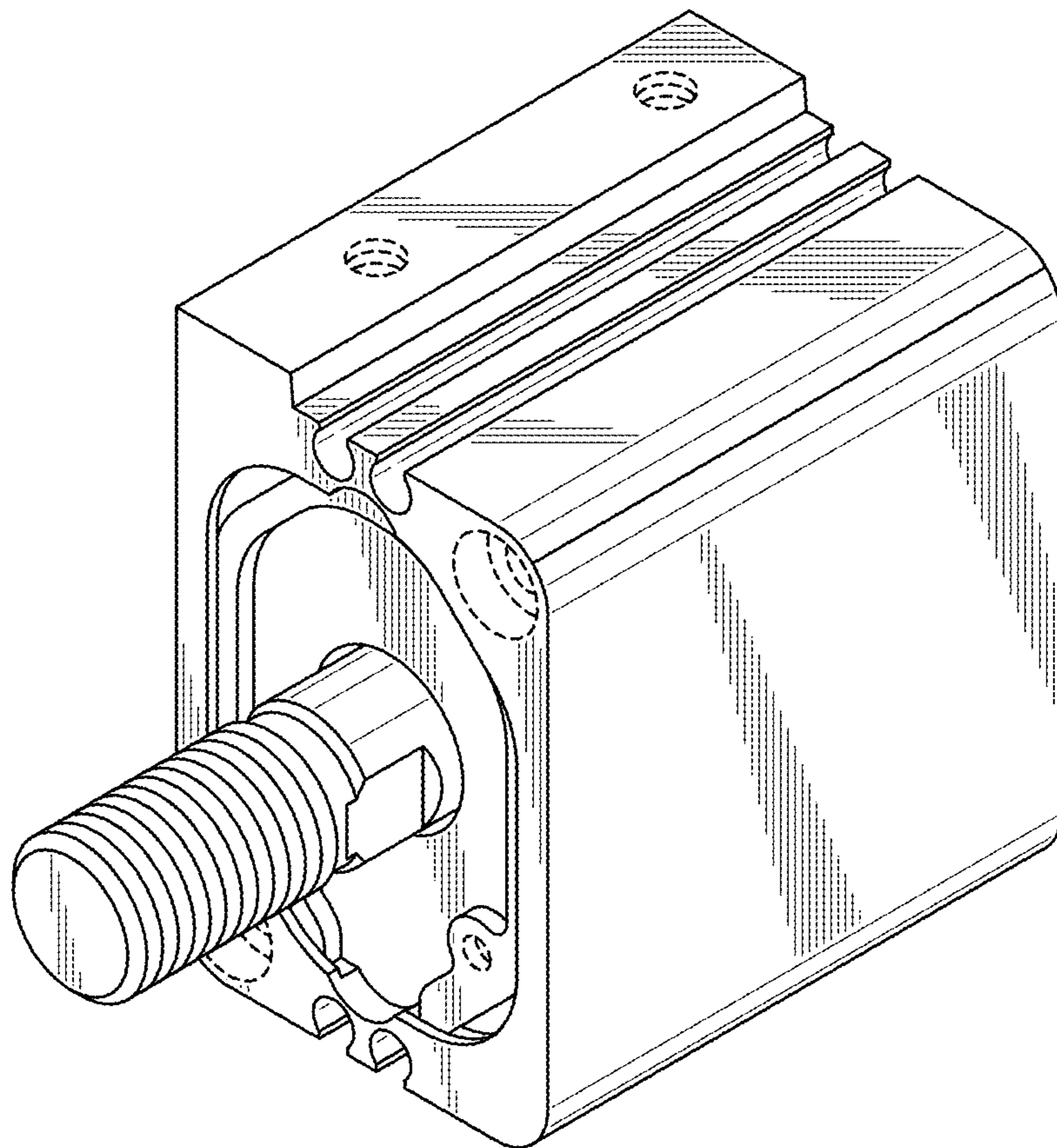


FIG. 10

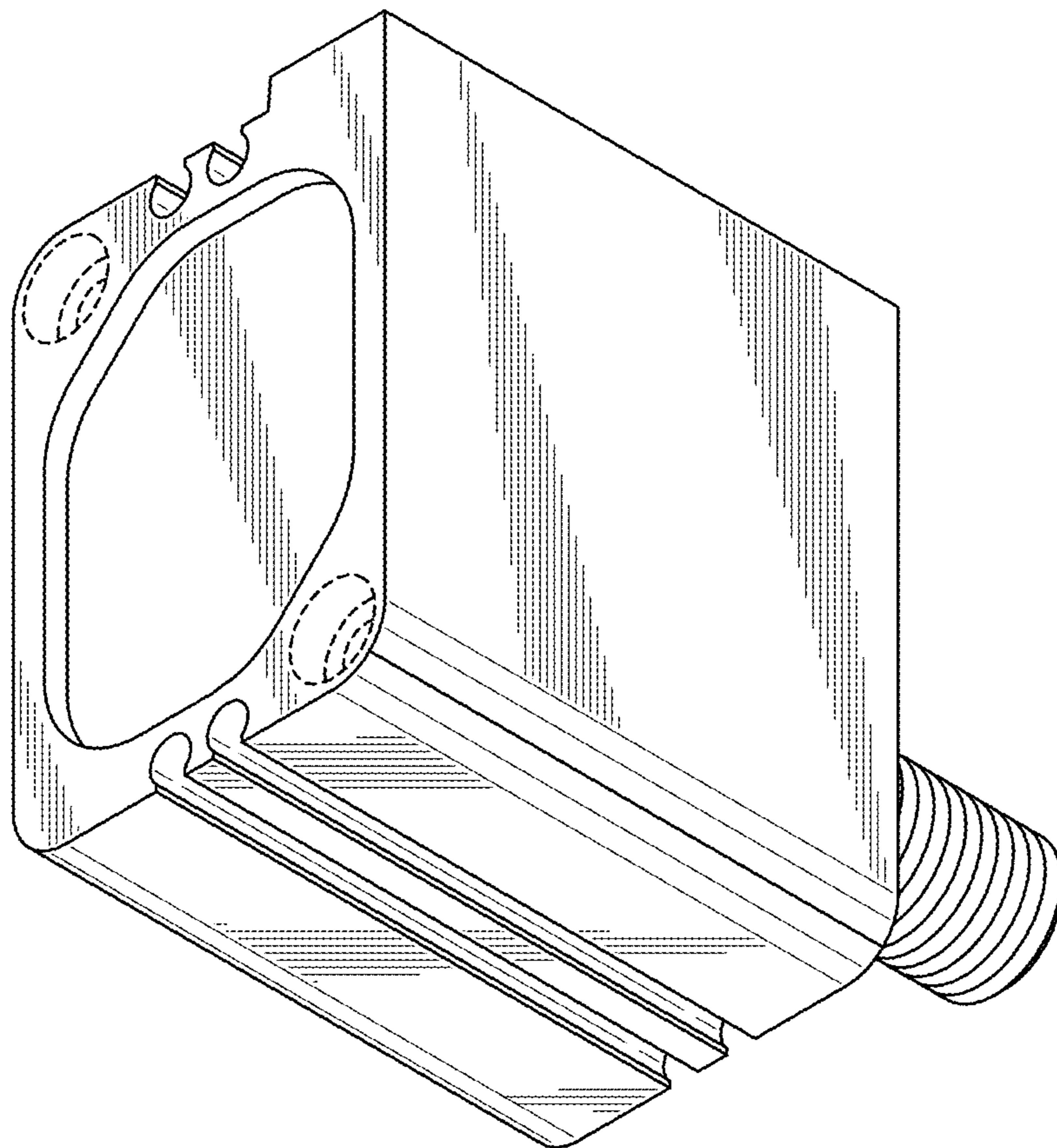


FIG. 11

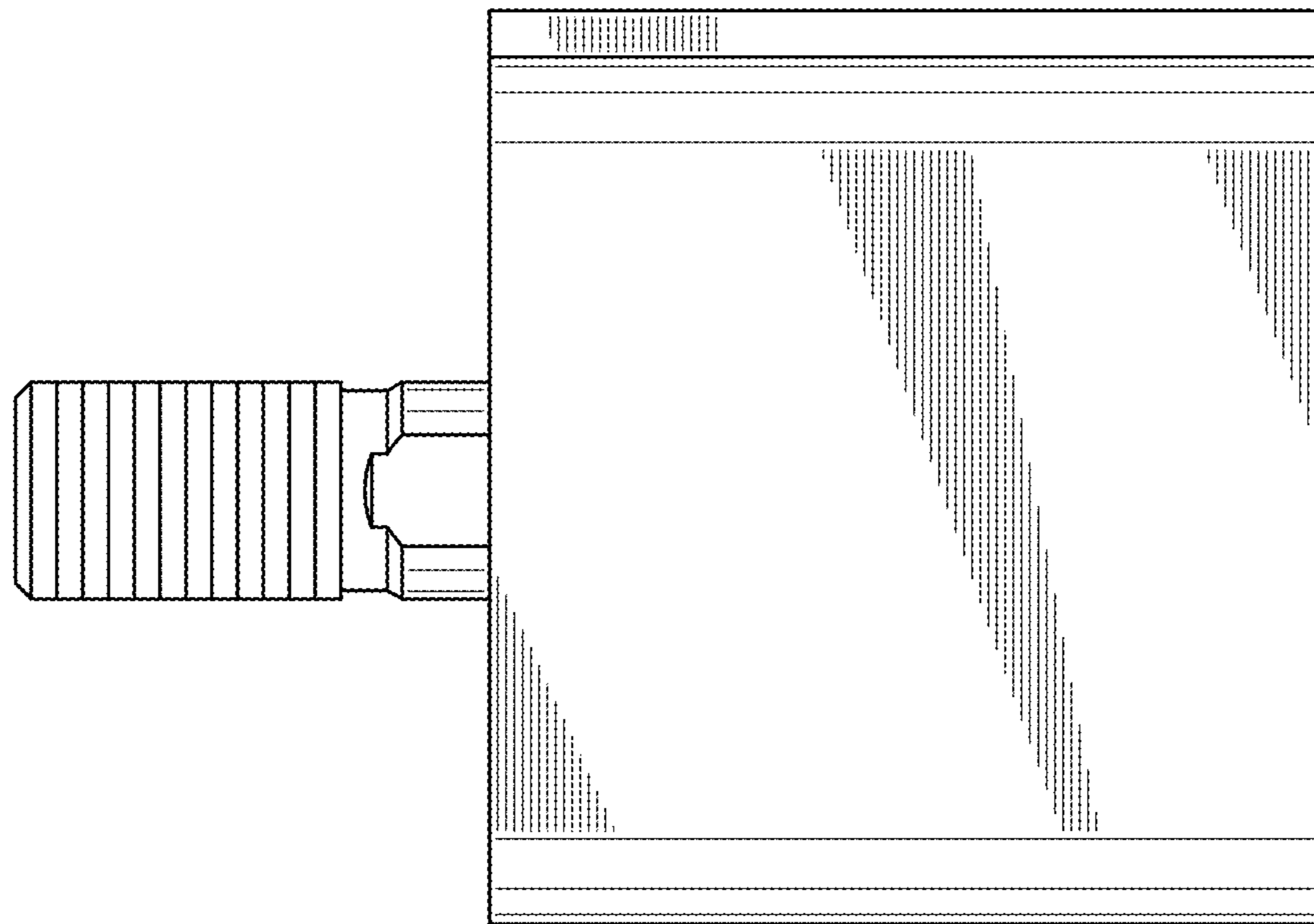


FIG. 12

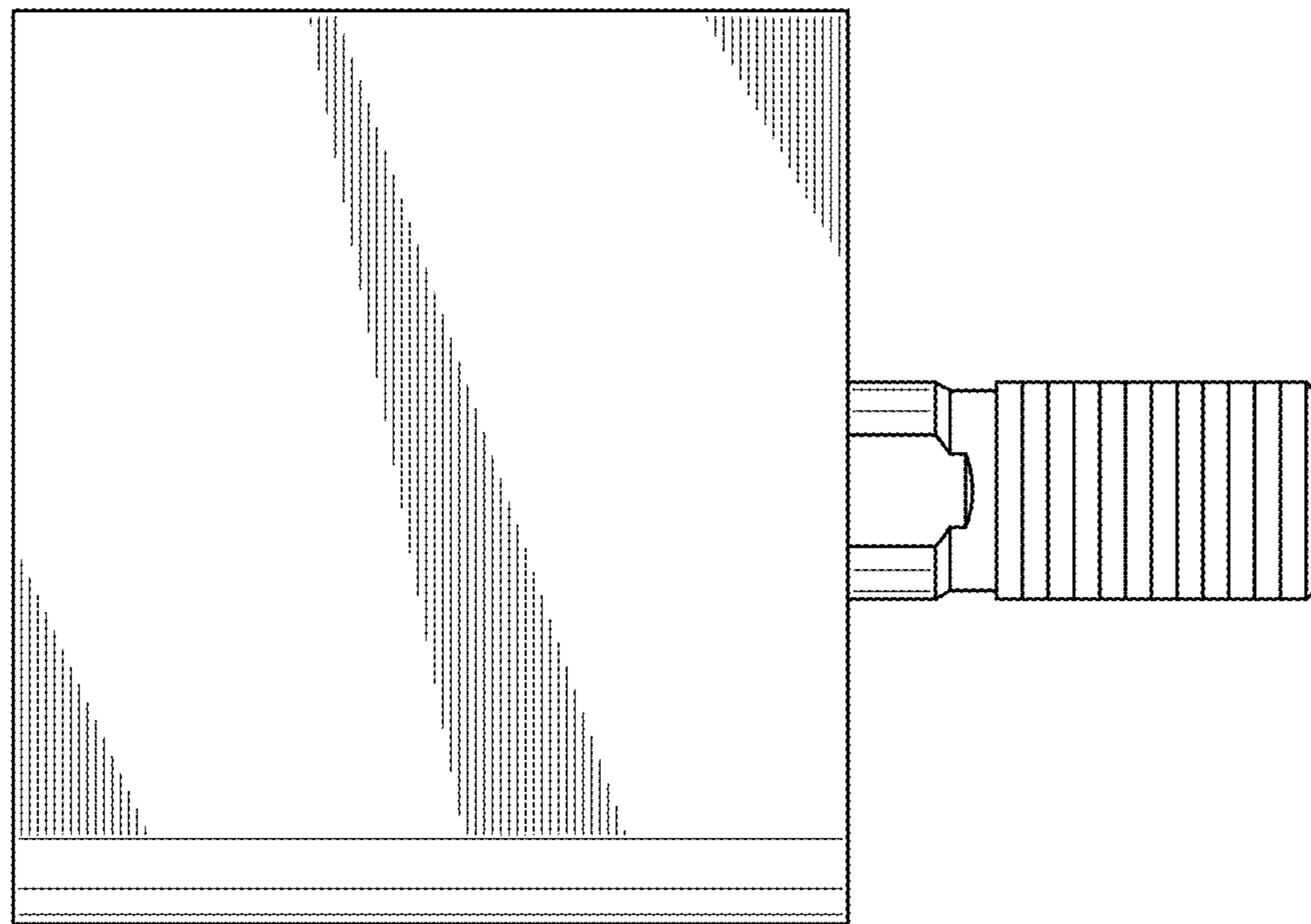


FIG. 13

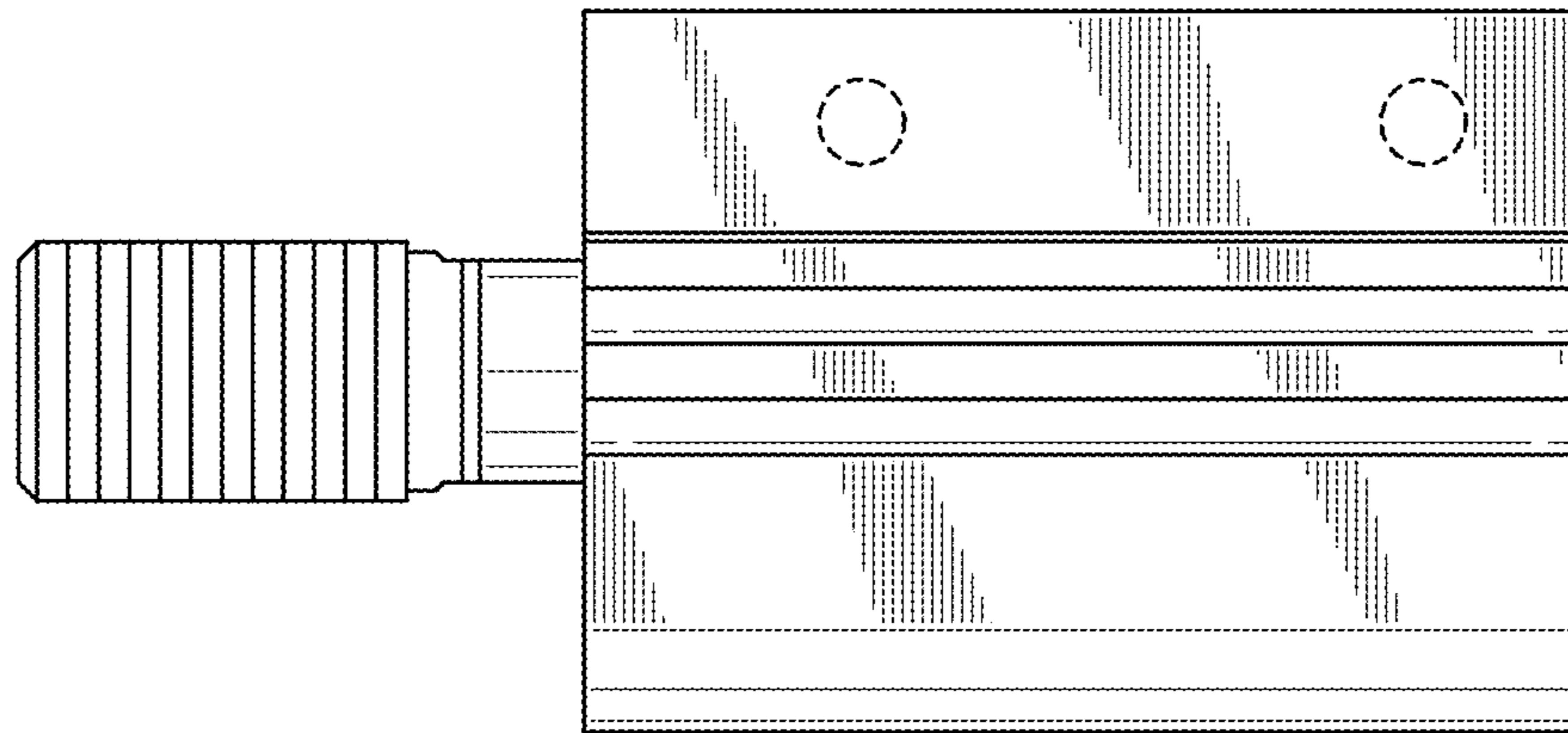


FIG. 14

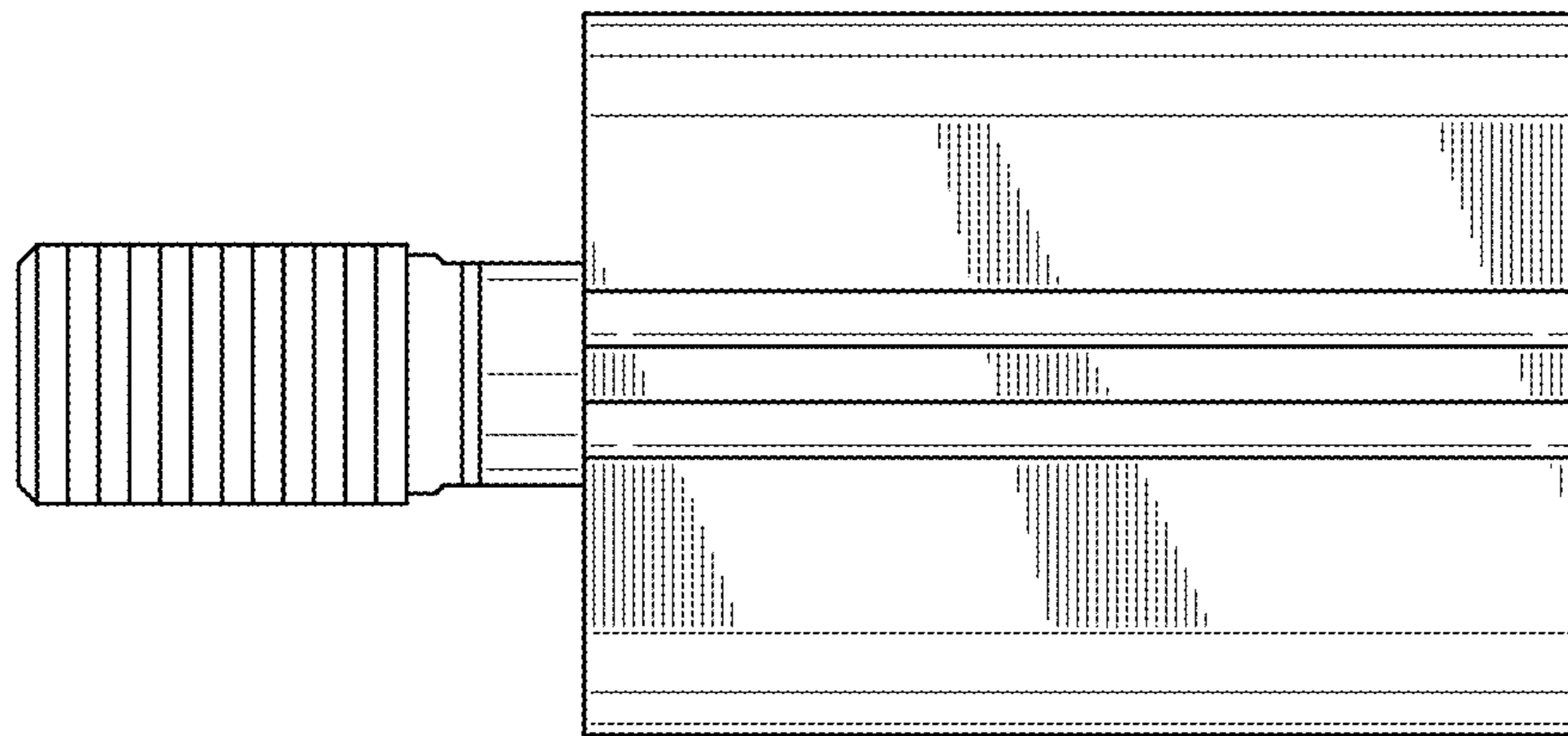


FIG. 15

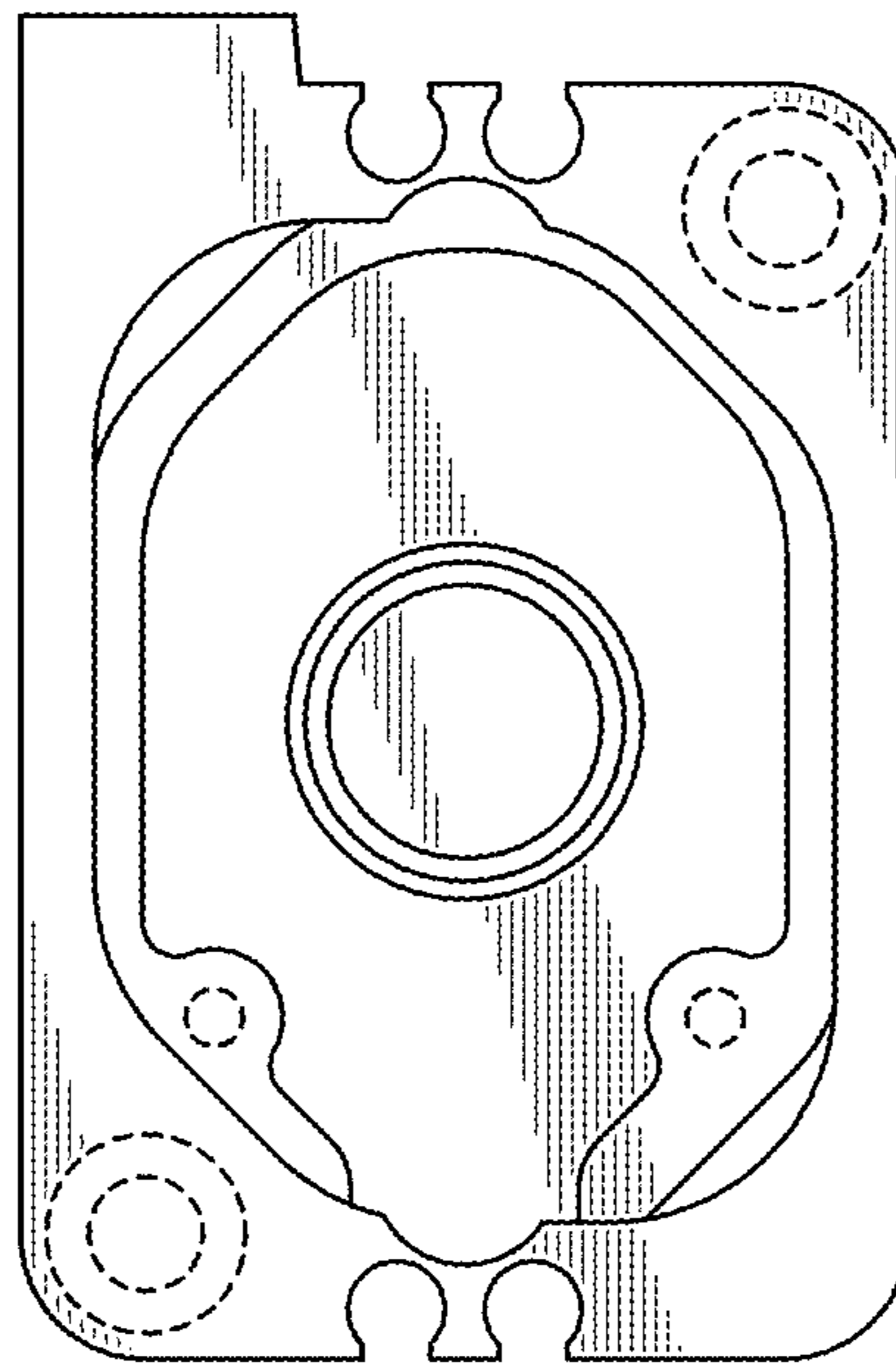


FIG. 16

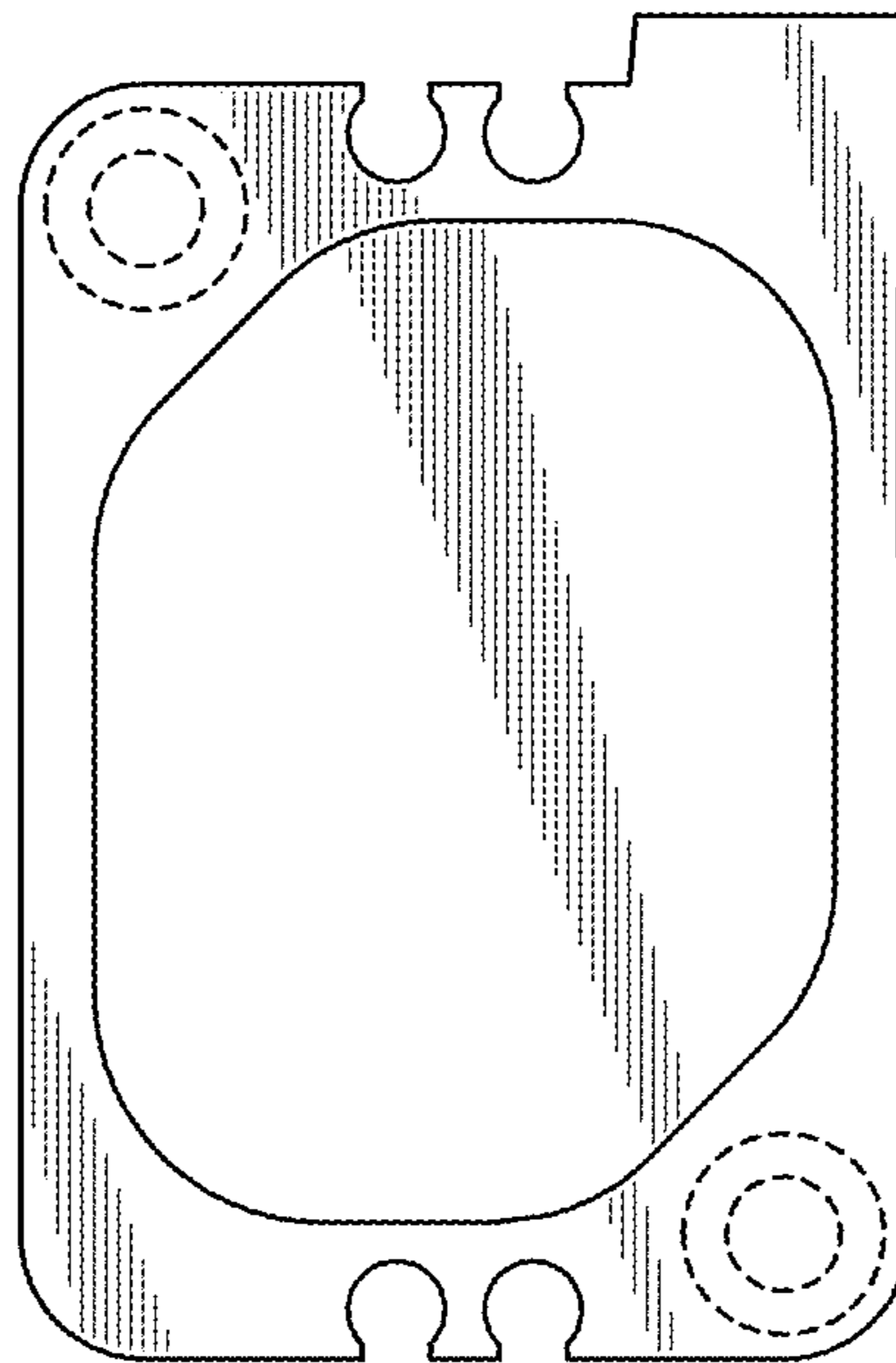


FIG. 17

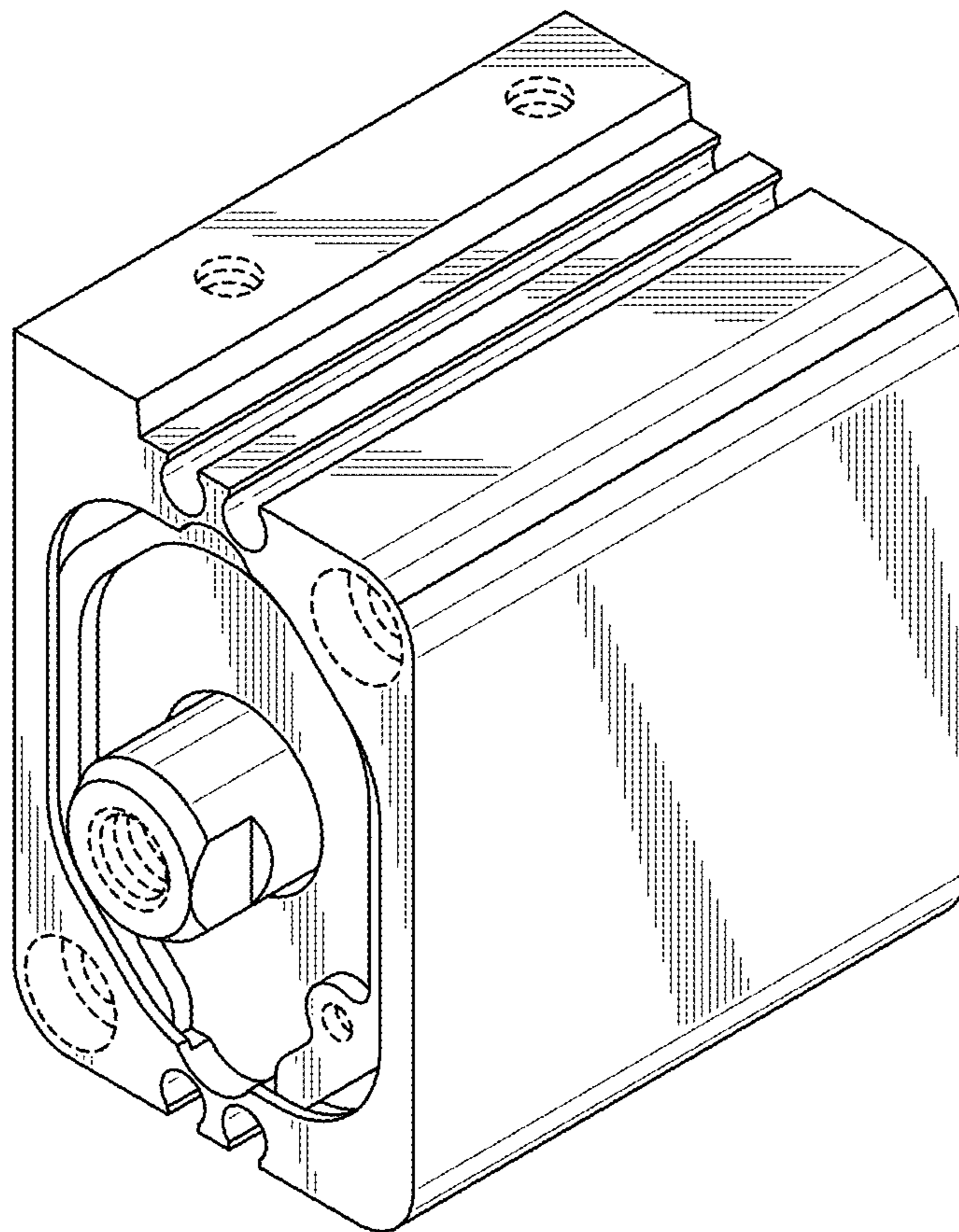


FIG. 18

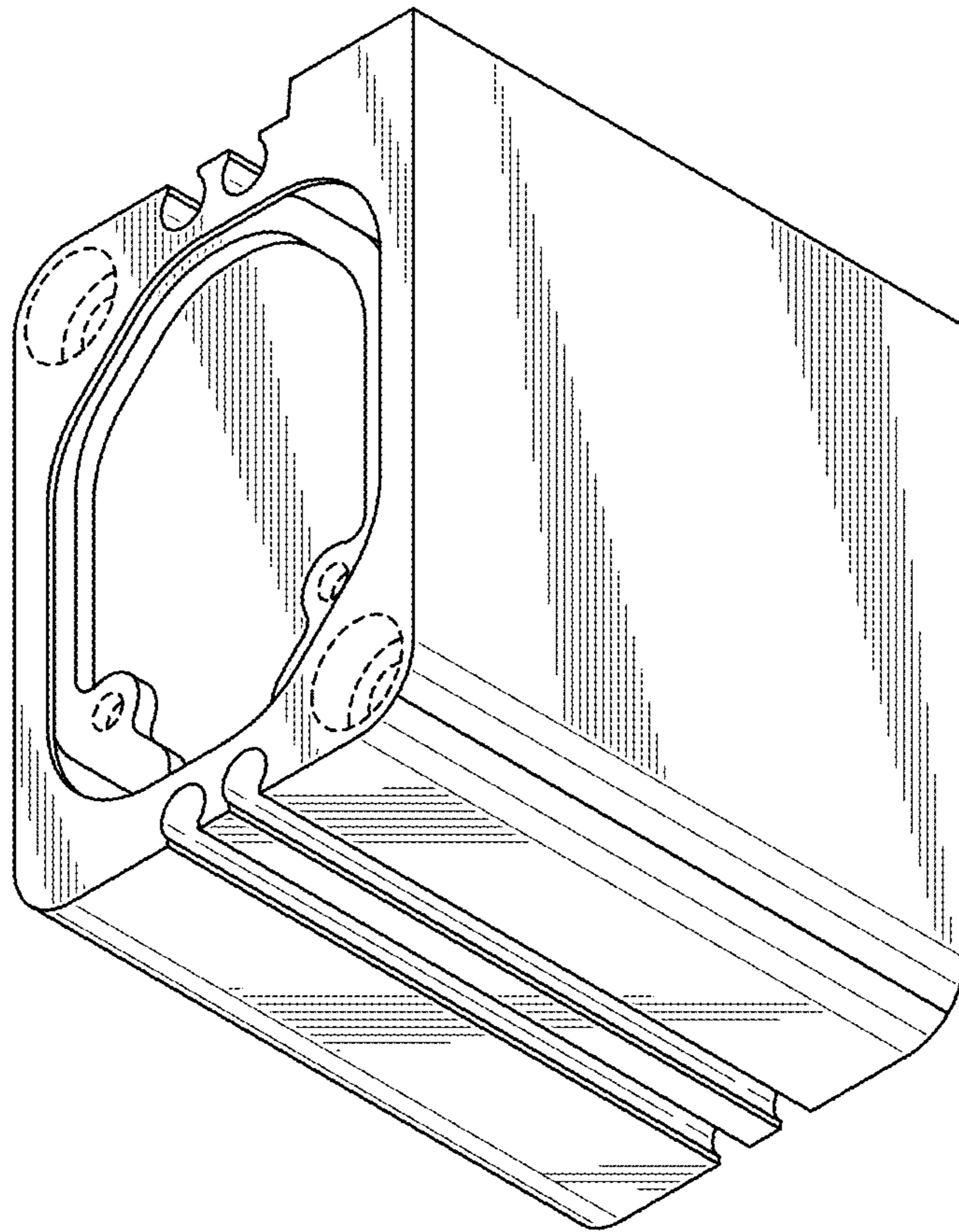


FIG. 19

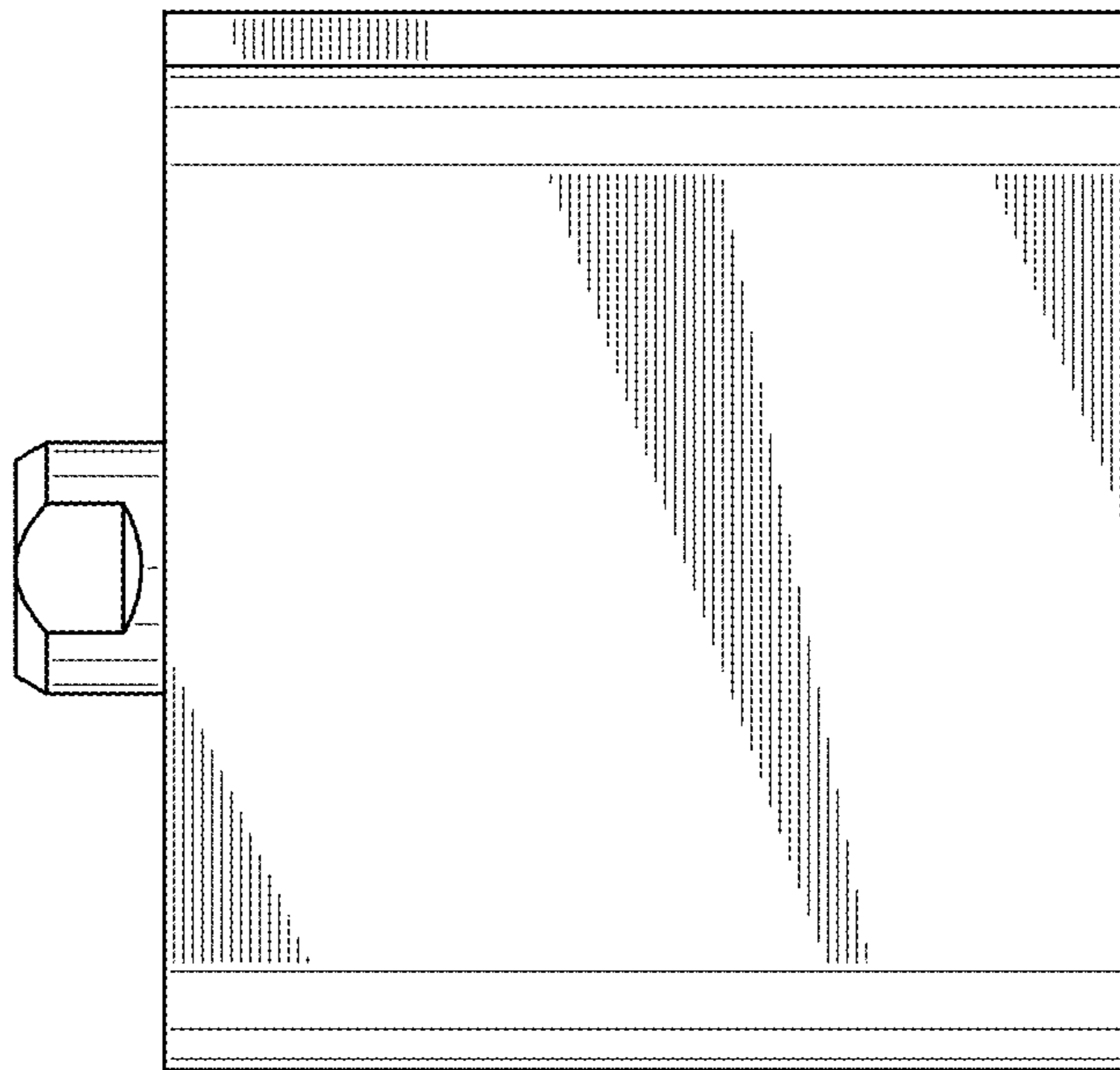


FIG. 20

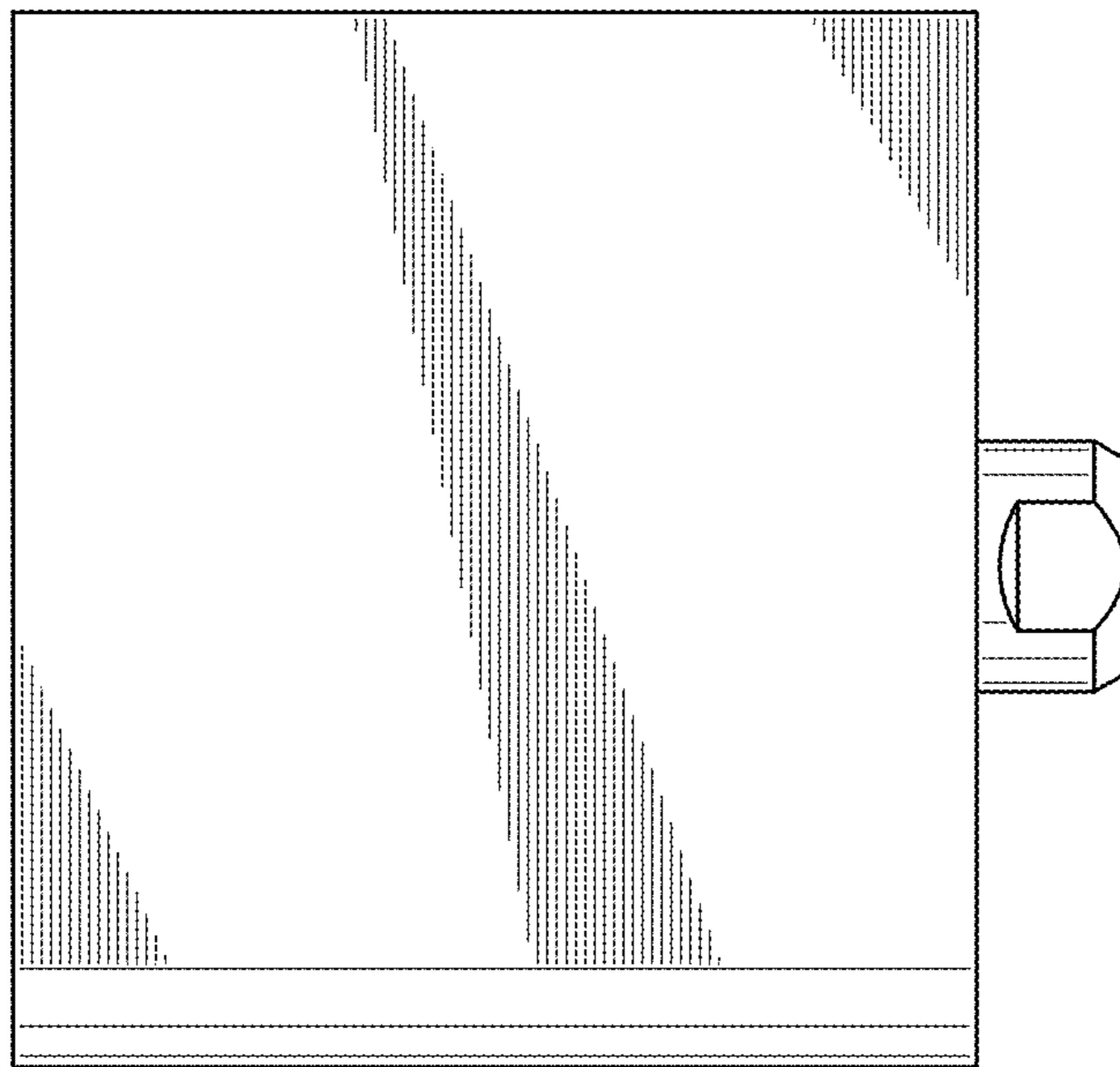


FIG. 21

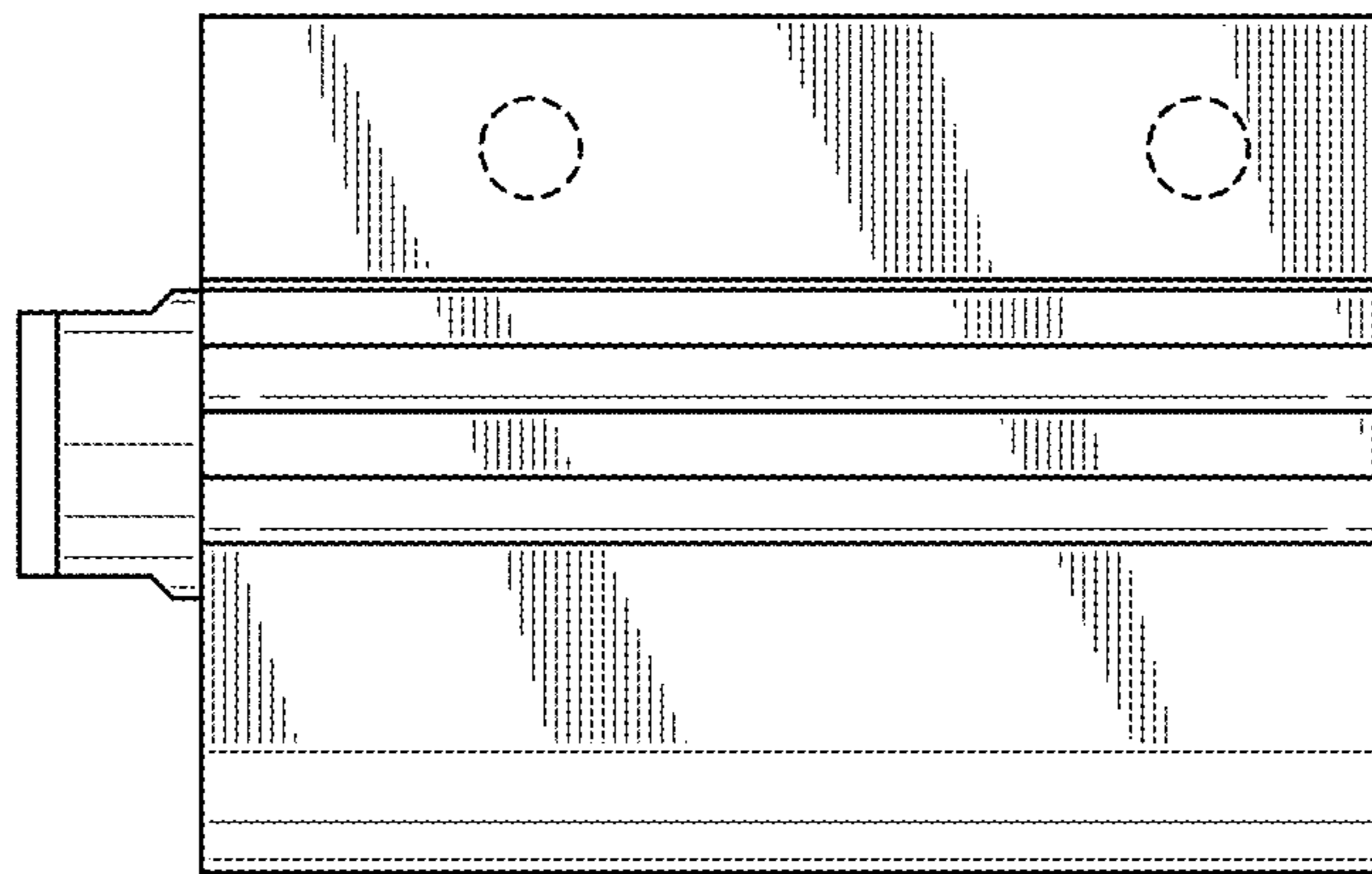


FIG. 22

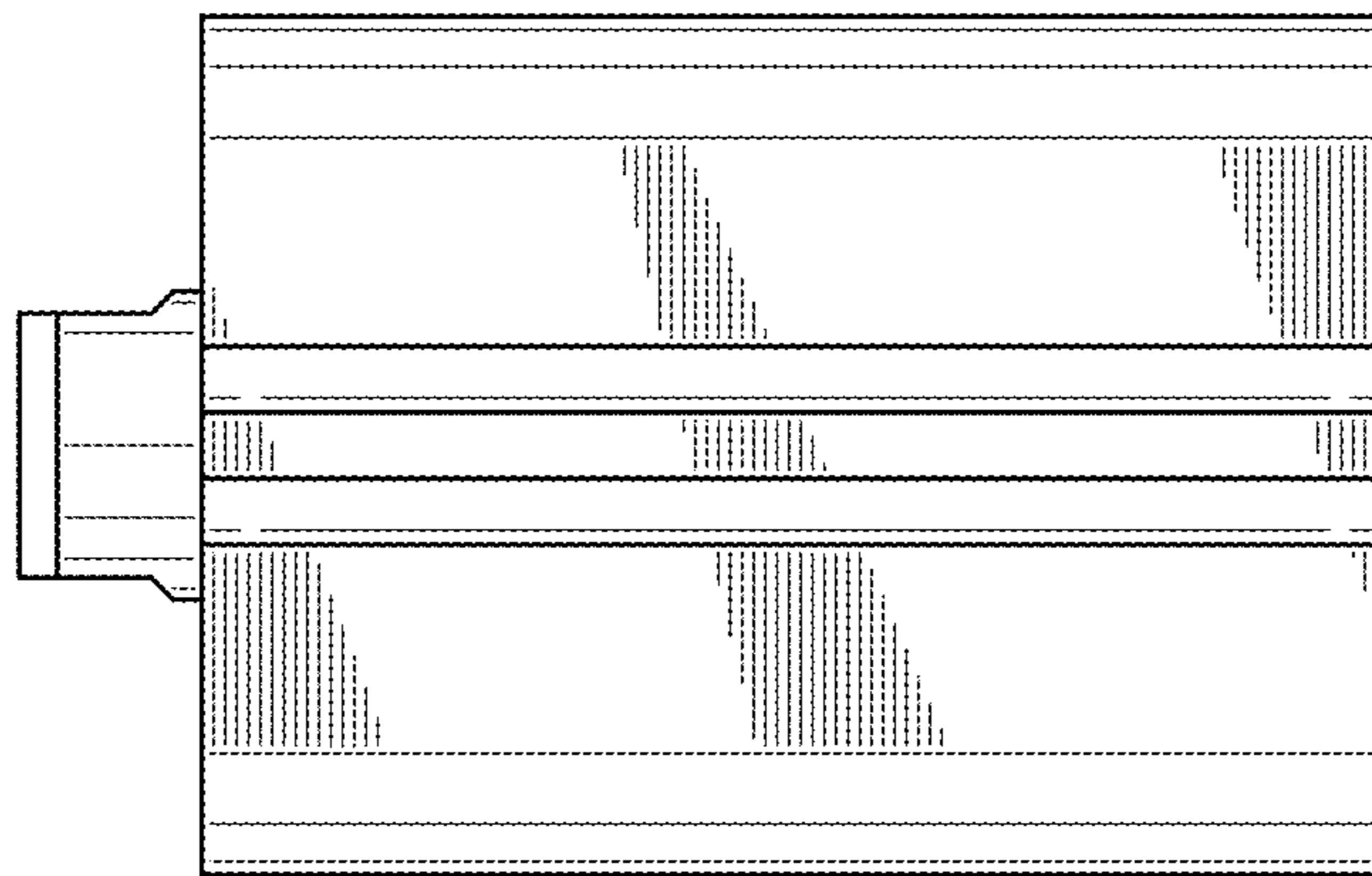


FIG. 23

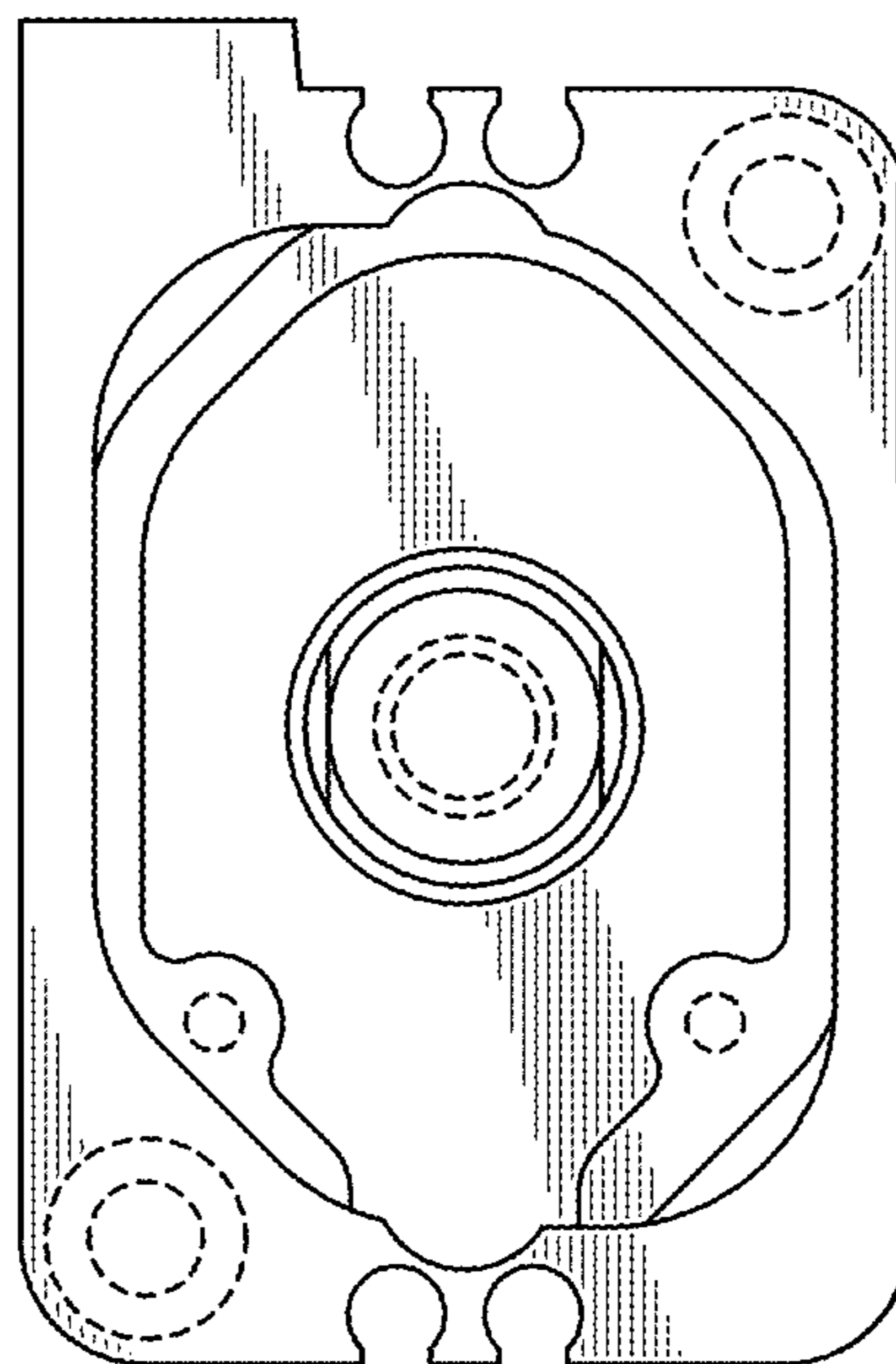


FIG. 24

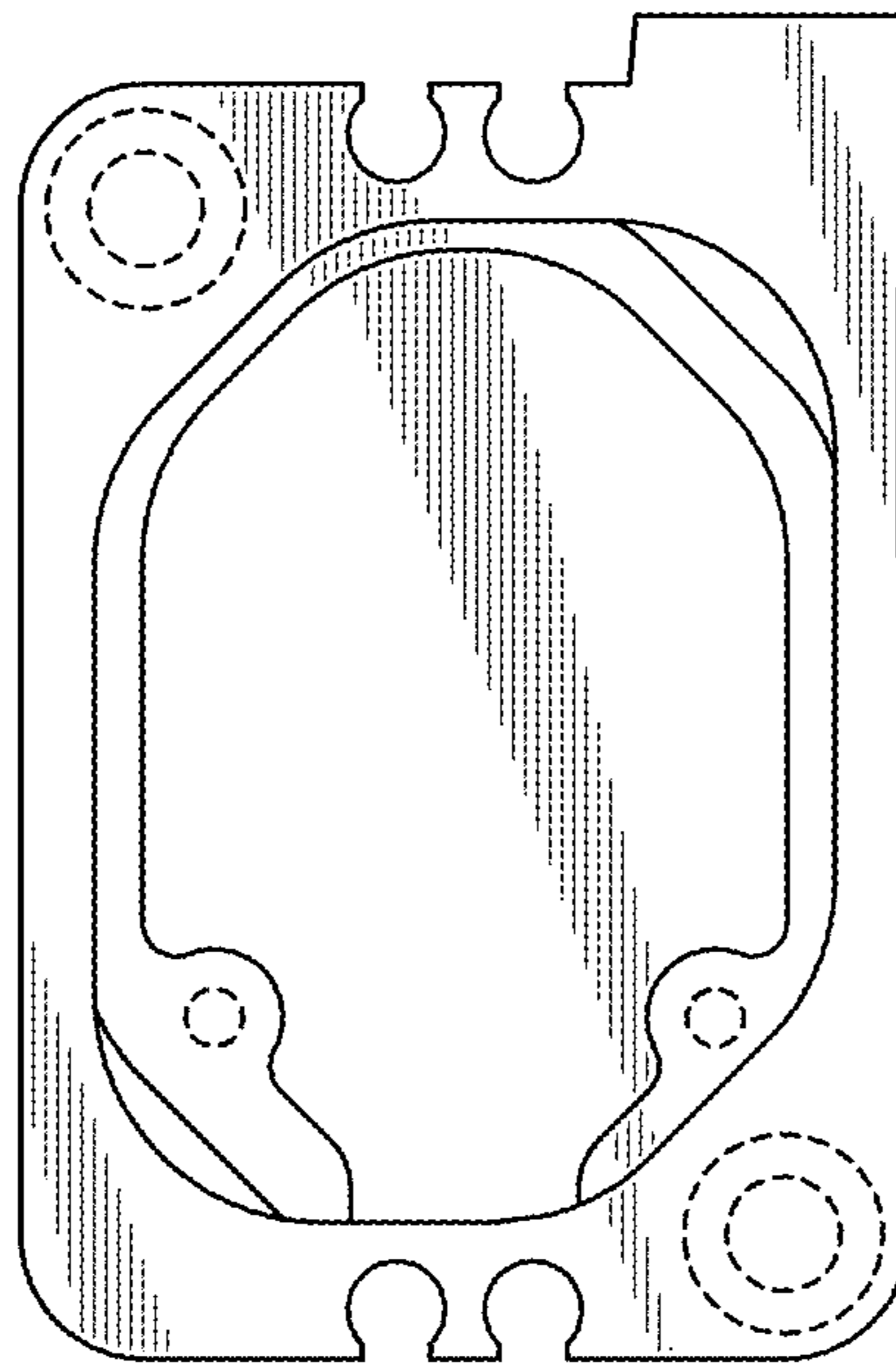


FIG. 25

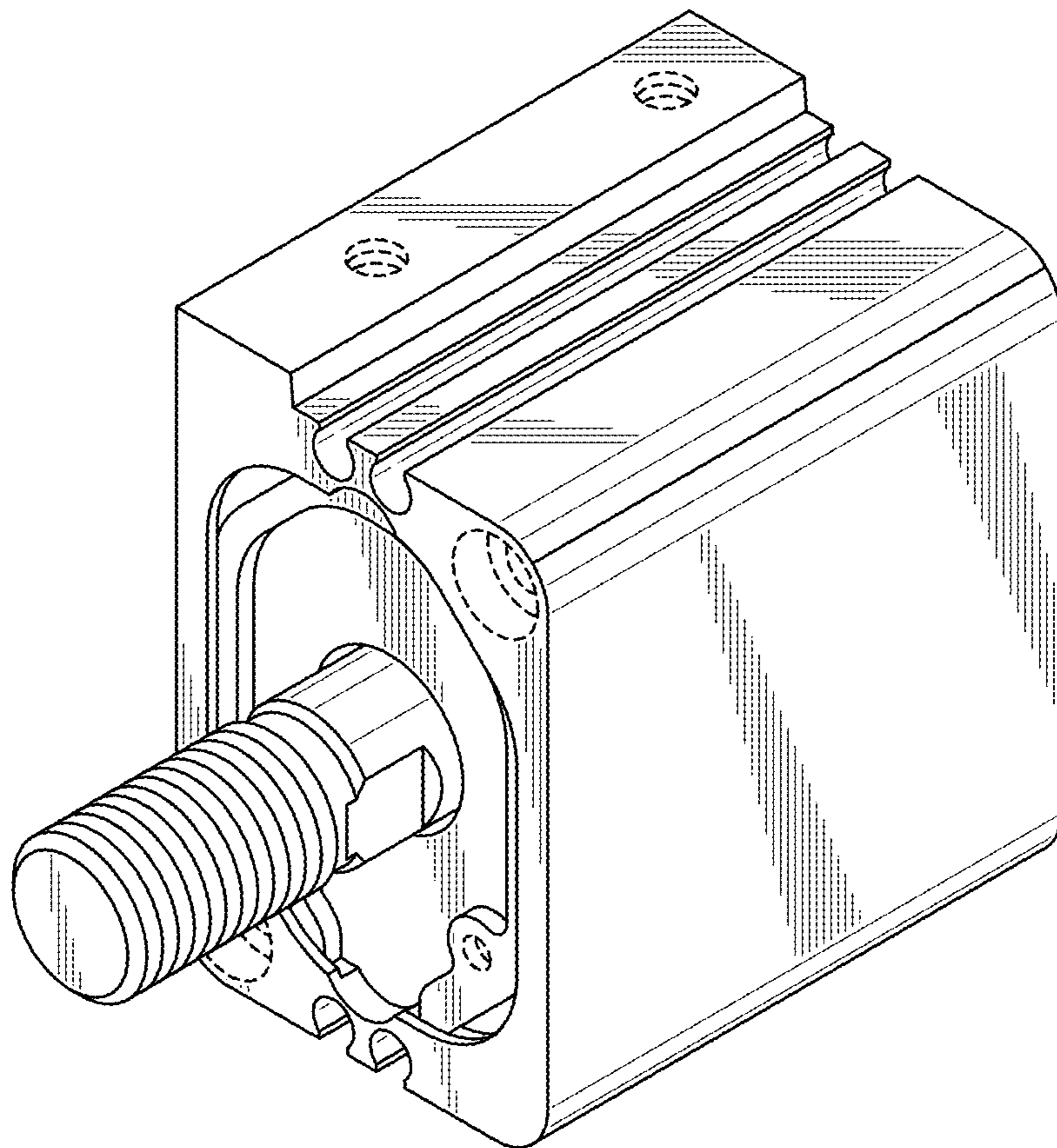


FIG. 26

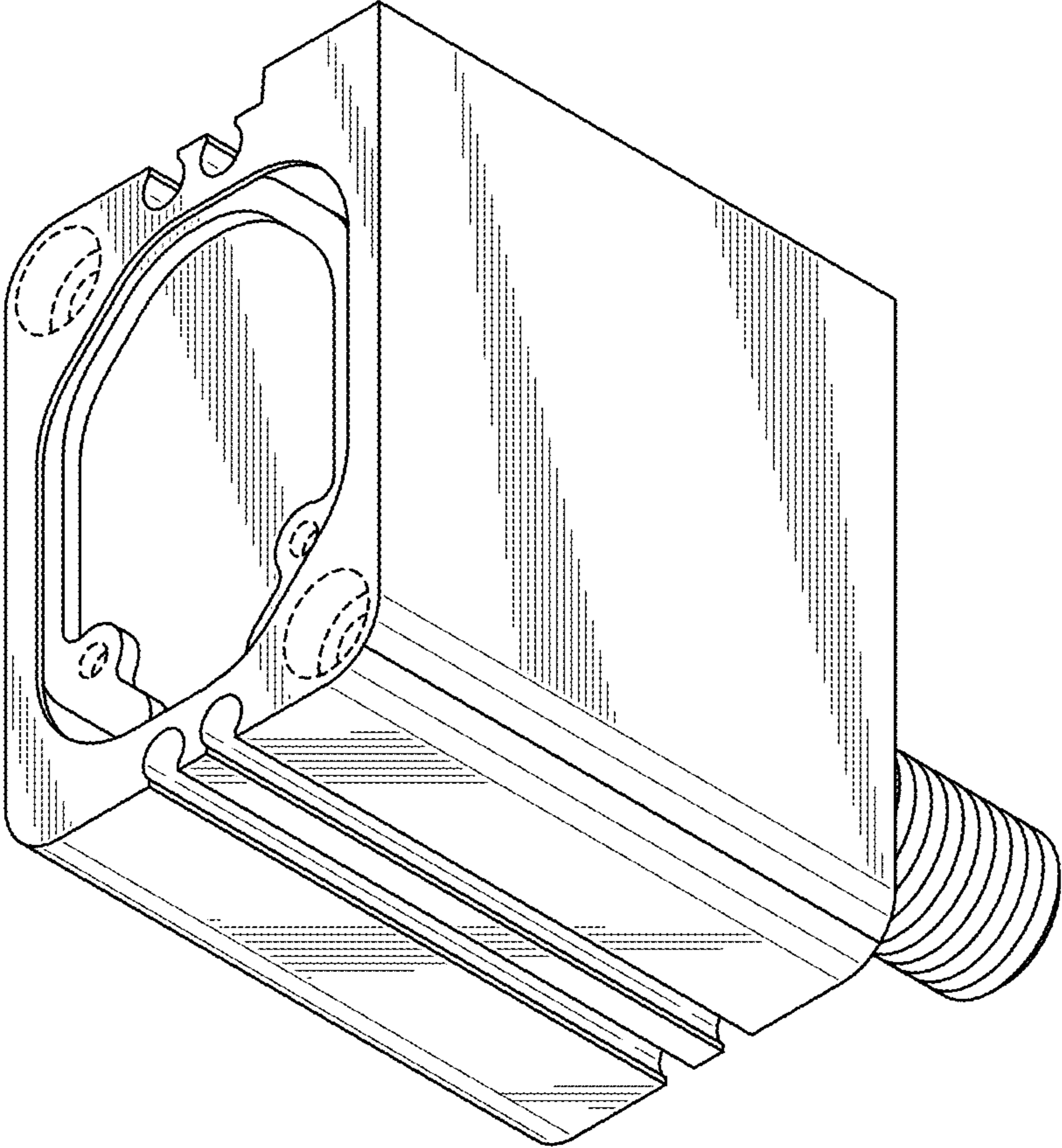


FIG. 27

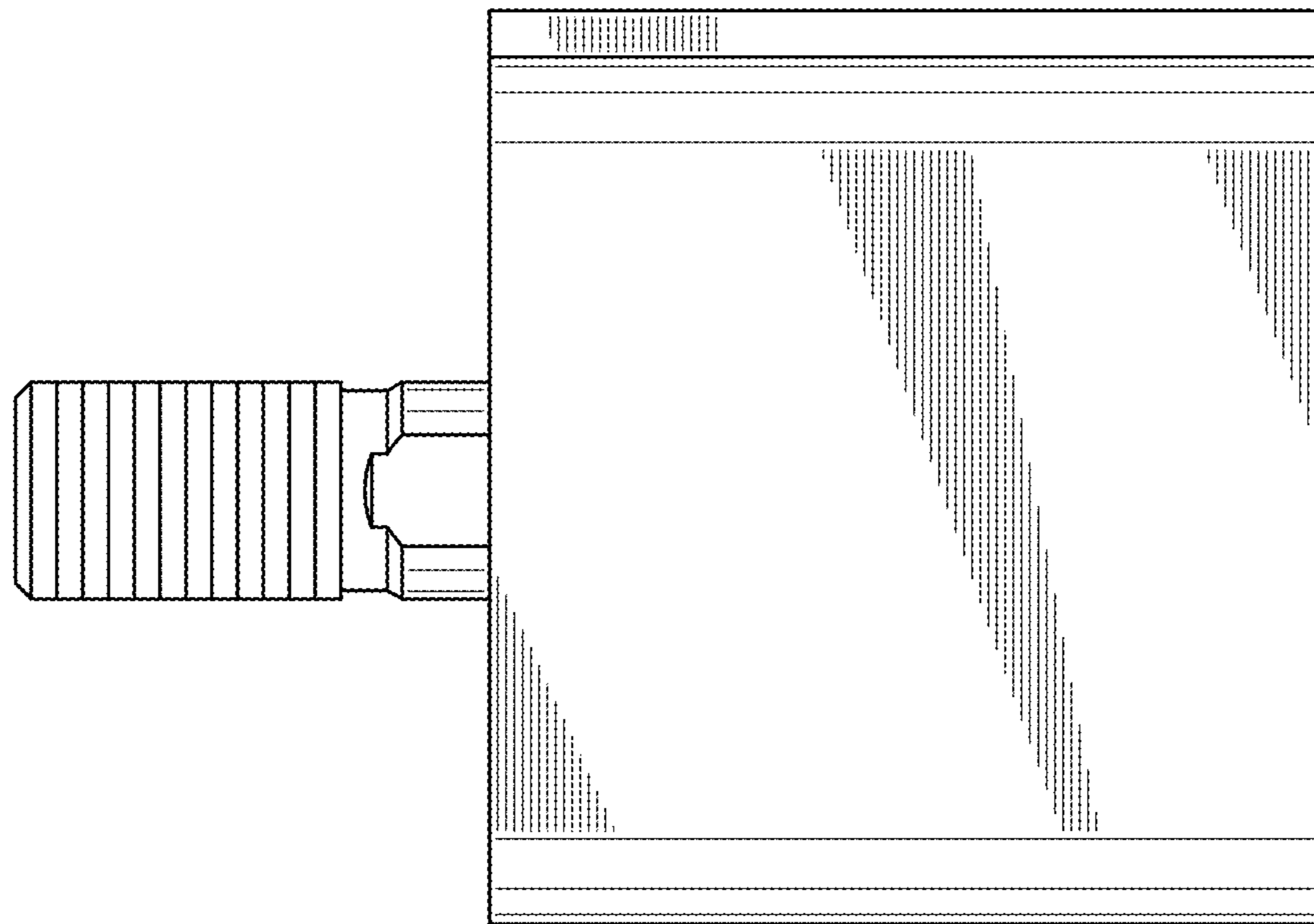


FIG. 28

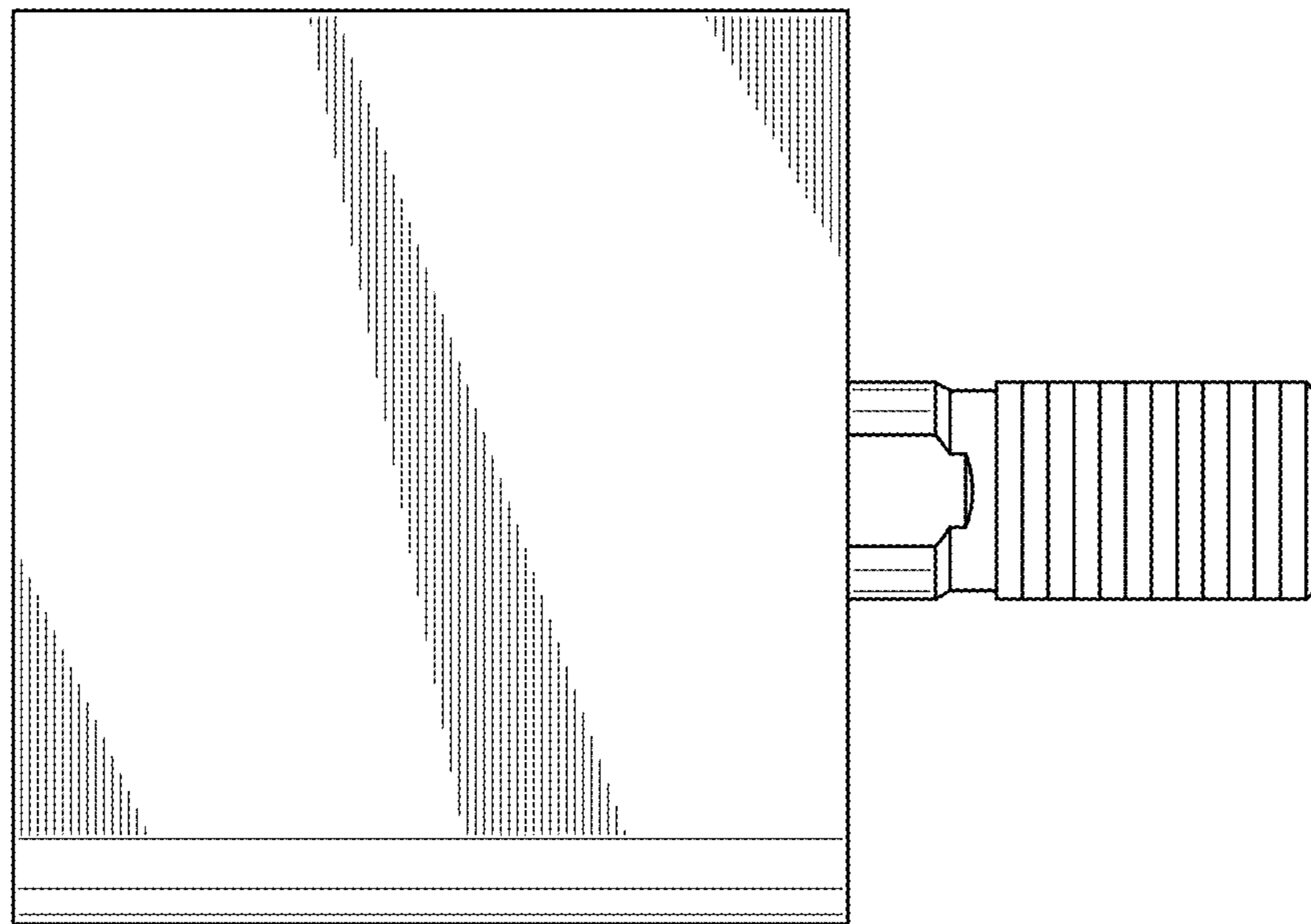


FIG. 29

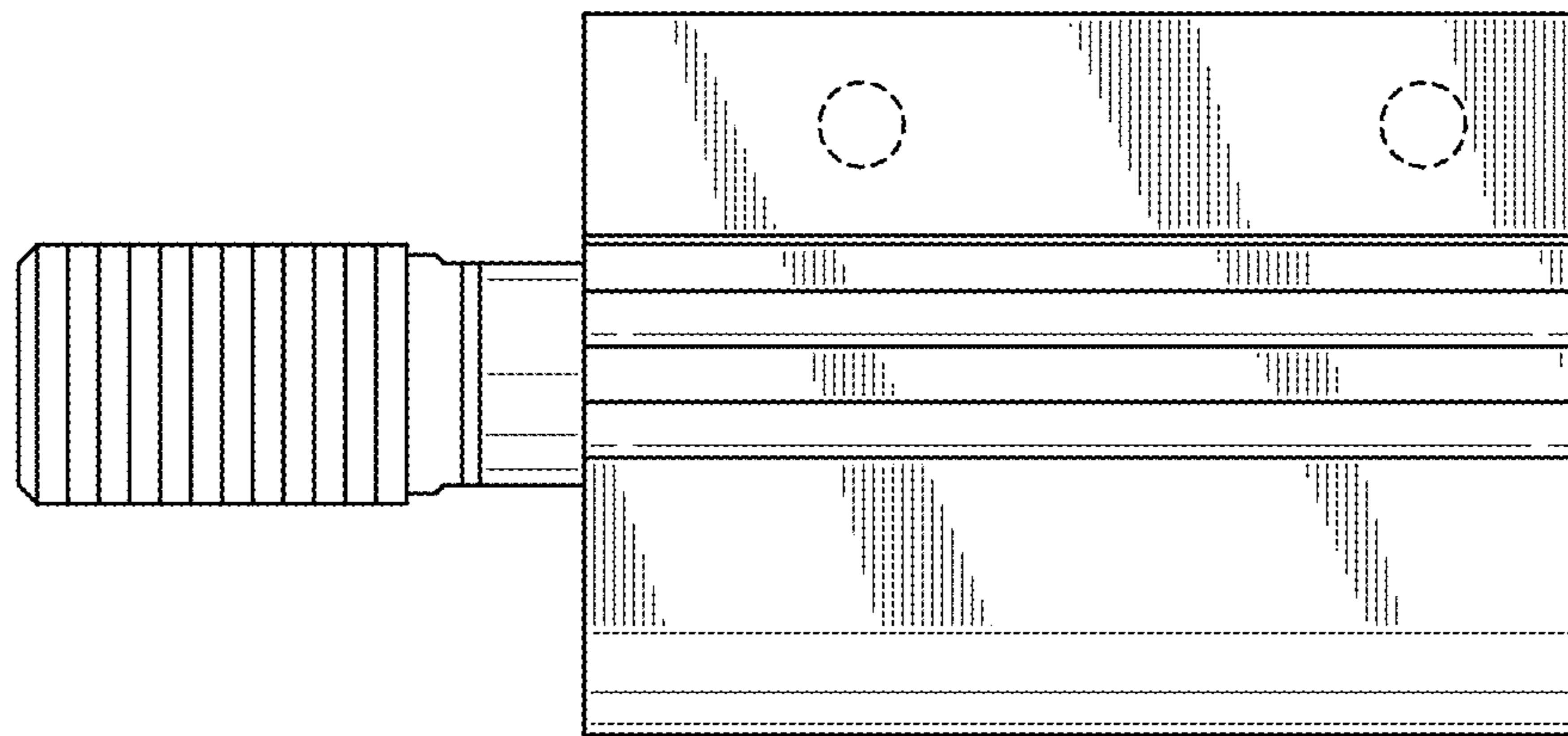


FIG. 30

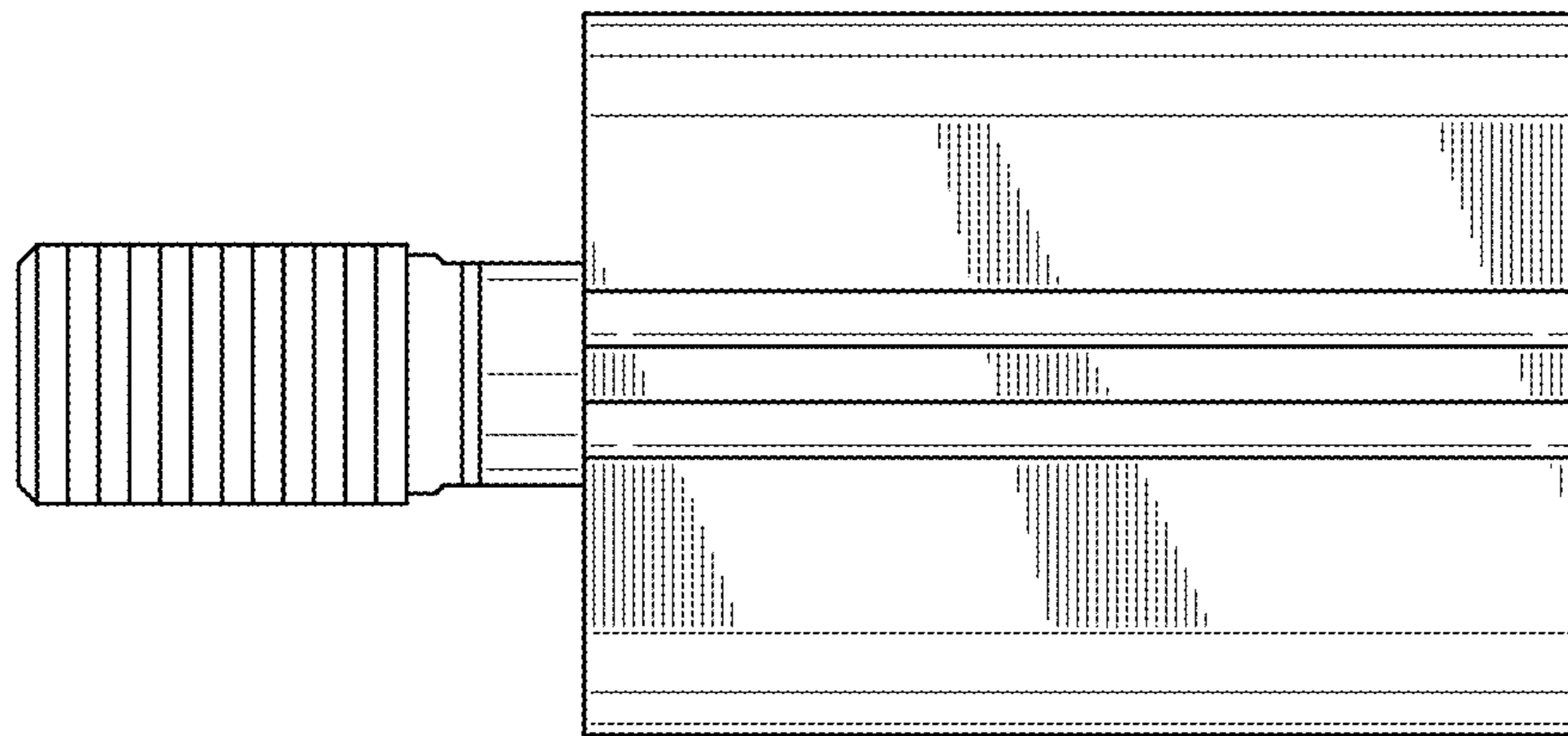


FIG. 31

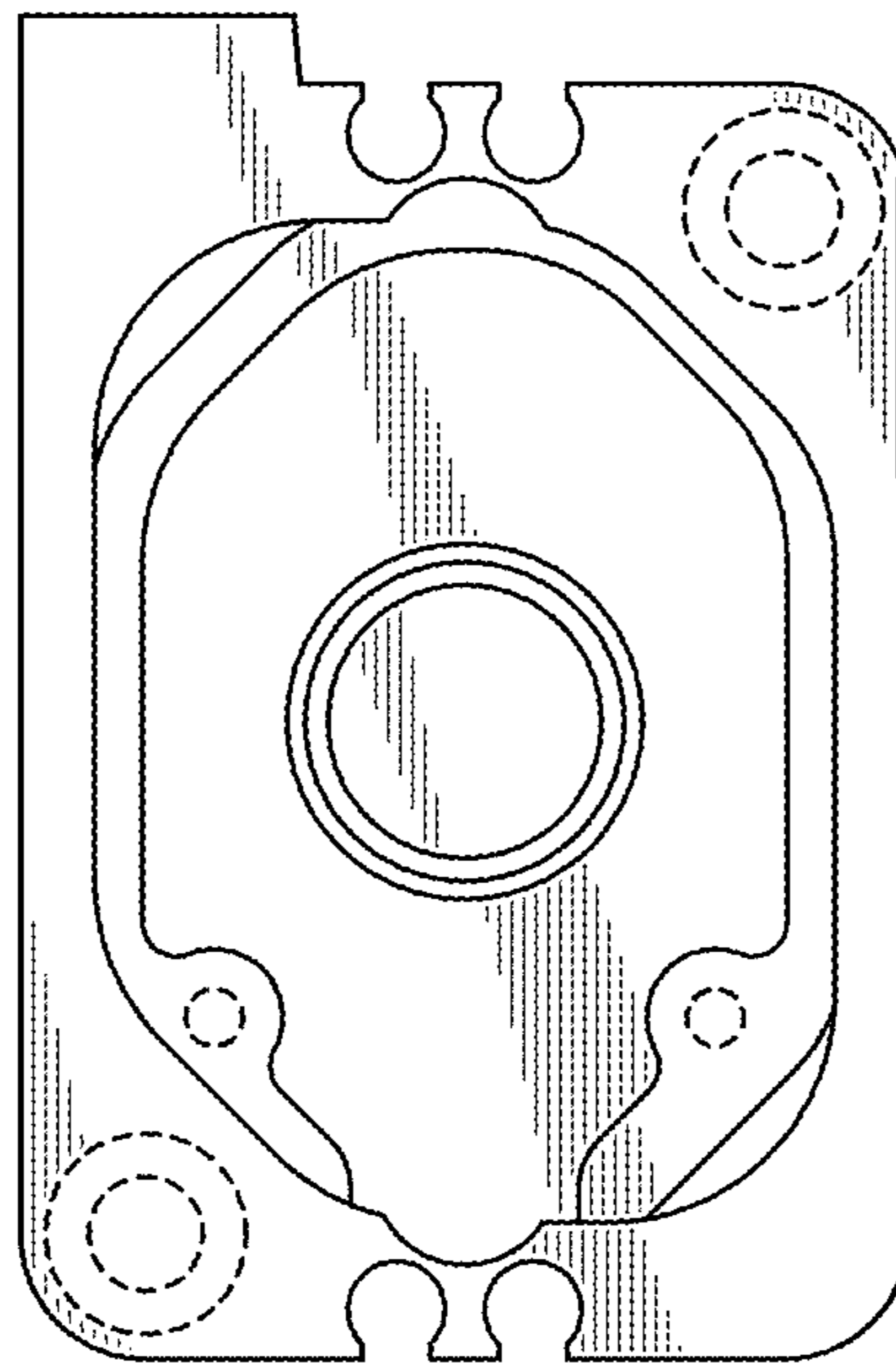


FIG. 32

