



US00D909417S

(12) **United States Design Patent** (10) **Patent No.:** **US D909,417 S**  
**Vintzel** (45) **Date of Patent:** **\*\* Feb. 2, 2021**

- (54) **AIR COMPRESSOR**
- (71) Applicant: **Harbor Freight Tools USA, Inc.**,  
Calabasas, CA (US)
- (72) Inventor: **James Constantine Vintzel**, Jackson,  
TN (US)
- (73) Assignee: **Harbor Freight Tools USA, INC.**,  
Calabasas, CA (US)
- (\*\*) Term: **15 Years**
- (21) Appl. No.: **29/703,027**
- (22) Filed: **Aug. 23, 2019**
- (51) **LOC (13) Cl.** ..... **15-02**
- (52) **U.S. Cl.**  
USPC ..... **D15/7; D15/9**
- (58) **Field of Classification Search**  
USPC ..... D13/103, 107; D23/210, 225, 231, 232;  
D15/7-9  
CPC ..... F04B 41/00; F04B 41/02; F04B 41/04;  
F04B 41/06; F04B 35/00; F04B 35/06;  
F04B 35/002; F04B 35/86; F04B 31/00;  
F04B 49/00; F04B 17/03; F04B 17/06;  
F04B 33/005; F04B 33/00; F04B 33/02;  
F04B 25/005  
See application file for complete search history.

D534,287 S *	12/2006	Krieger	.....	D26/38
D535,309 S *	1/2007	Breecham	.....	D15/9
D553,158 S *	10/2007	Caito	.....	D15/9
D557,710 S *	12/2007	Sharp	.....	D15/9
D562,851 S *	2/2008	Leasure	.....	D15/9
D574,859 S *	8/2008	Hernandez	.....	D15/9
D576,512 S *	9/2008	Leasure	.....	D15/7
D579,462 S *	10/2008	Leasure	.....	D15/7
D589,065 S *	3/2009	Leasure	.....	D15/9

(Continued)

**OTHER PUBLICATIONS**

The Den of Tools, McGRAW vs Central Pneumatic (New King of Compressors?), (uploaded Mar. 13, 2019), YouTube.com, URL:<<https://www.youtube.com/watch?v=pKhSqVtbVrI>> (Year: 2019).\*

(Continued)

*Primary Examiner* — Sheryl Lane  
*Assistant Examiner* — Mark T. Philipps  
(74) *Attorney, Agent, or Firm* — McAndrews Held & Malloy, Ltd.

(57) **CLAIM**

The ornamental design for an air compressor, as shown and described.

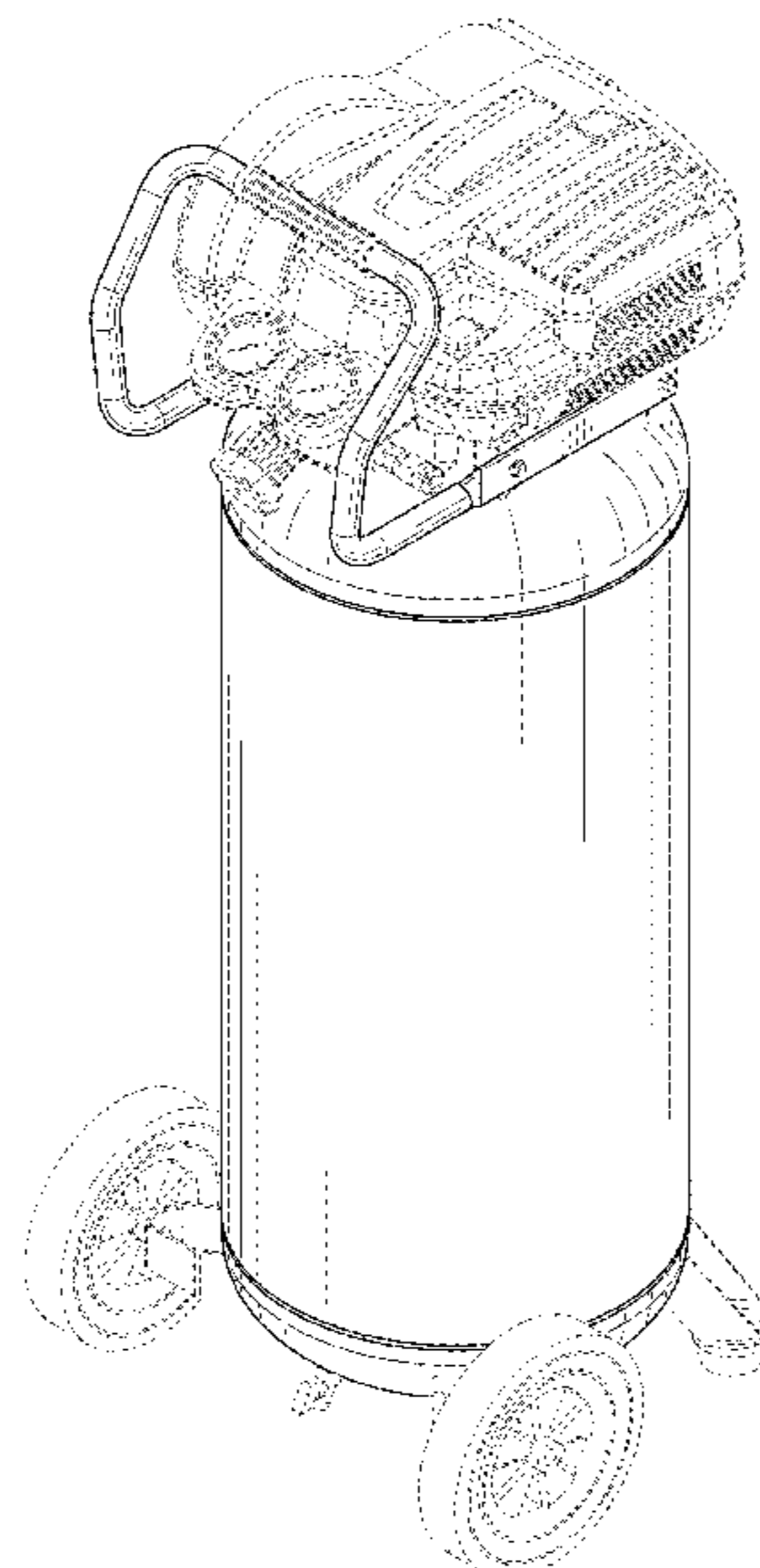
**DESCRIPTION**

FIG. 1 is a top-front perspective view of an air compressor showing my new design according to a first embodiment; FIG. 2 is a front elevation view thereof; FIG. 3 is a rear elevation thereof; FIG. 4 is a right side elevation view thereof; FIG. 5 is a left side elevation view thereof; FIG. 6 is a top plan view thereof; FIG. 7 is a bottom plan view thereof; and, FIG. 8 is a bottom-rear perspective view thereof. The dashed broken lines in the figures illustrate portions of the air compressor that form no part of the claimed design.

**1 Claim, 7 Drawing Sheets**

(56) **References Cited**  
U.S. PATENT DOCUMENTS

D293,585 S *	1/1988	Morgan	.....	D15/9
5,054,740 A *	10/1991	Wheeler	.....	F04B 41/02 248/154
D444,796 S *	7/2001	Morgan	.....	D15/9
6,375,437 B1 *	4/2002	Nolan	.....	F04B 35/06 137/248
D491,628 S *	6/2004	Hsiao	.....	D23/202
D499,432 S *	12/2004	Chen	.....	D15/9
D512,479 S *	12/2005	Hsiao	.....	D23/202



(56)

References Cited

U.S. PATENT DOCUMENTS

D589,535 S \* 3/2009 Leasure ..... D15/9  
 D604,746 S \* 11/2009 Nishido ..... D15/7  
 D636,409 S \* 4/2011 Wilmes ..... D15/9  
 D637,211 S \* 5/2011 Parks ..... D15/9  
 D657,393 S \* 4/2012 Pauwels ..... D15/9  
 D662,517 S \* 6/2012 Hawkins ..... D15/9  
 D664,996 S \* 8/2012 Hsiao ..... D15/9  
 D666,224 S \* 8/2012 Pruszyński ..... D15/79  
 D668,267 S \* 10/2012 Hawkins ..... D15/7  
 D680,556 S \* 4/2013 Craig ..... D15/7  
 D710,902 S \* 8/2014 Vintzel ..... D15/9  
 D710,903 S \* 8/2014 Vintzel ..... D15/9  
 9,291,363 B1 \* 3/2016 Cassell ..... F24H 3/0488  
 D806,135 S \* 12/2017 Wood ..... D15/9  
 D806,753 S \* 1/2018 Wood ..... D15/7  
 D806,755 S \* 1/2018 Wood ..... D15/9  
 D806,757 S \* 1/2018 Wood ..... D15/9  
 D838,751 S \* 1/2019 Wood ..... D15/9  
 D854,585 S \* 7/2019 Bindhammer ..... D15/9  
 D876,485 S \* 2/2020 Pauly ..... D15/9  
 2005/0196290 A1 \* 9/2005 Hu ..... F04B 35/06  
 417/234  
 2006/0104836 A1 \* 5/2006 Phillips ..... F04B 41/02  
 417/411

2006/0104837 A1 \* 5/2006 Lee ..... F04B 41/02  
 417/415  
 2007/0122292 A1 \* 5/2007 Etter ..... F04B 41/02  
 417/234  
 2009/0226333 A1 \* 9/2009 Hsiao ..... F04B 41/02  
 417/234  
 2010/0290929 A1 \* 11/2010 Ohi ..... F04B 41/02  
 417/360  
 2016/0298618 A1 \* 10/2016 Wood ..... F04B 35/06  
 2018/0320677 A1 \* 11/2018 Thackery ..... F04B 41/02

OTHER PUBLICATIONS

McGraw, 21 Gallon 175 PSI Oil-Free Vertical Air Compressor, (site visited Jun. 30, 2020), Harbor Freight website, URL:<<https://www.harborfreight.com/21-gallon-175-PSI-Oil-Free-Vertical-Air-Compressor-64858.html>> (Year: 2020).\*

DeWalt, Dewalt 15-Gallon Single Stage Portable Electric Vertical Air Compressor, (site visited Jun. 30, 2020), Lowes Website, URL:<<https://www.lowes.ca/product/air-compressors/dewalt-15-gallon-single-stage-portable-electric-vertical-air-compressor-203680>> (Year: 2020).\*

\* cited by examiner

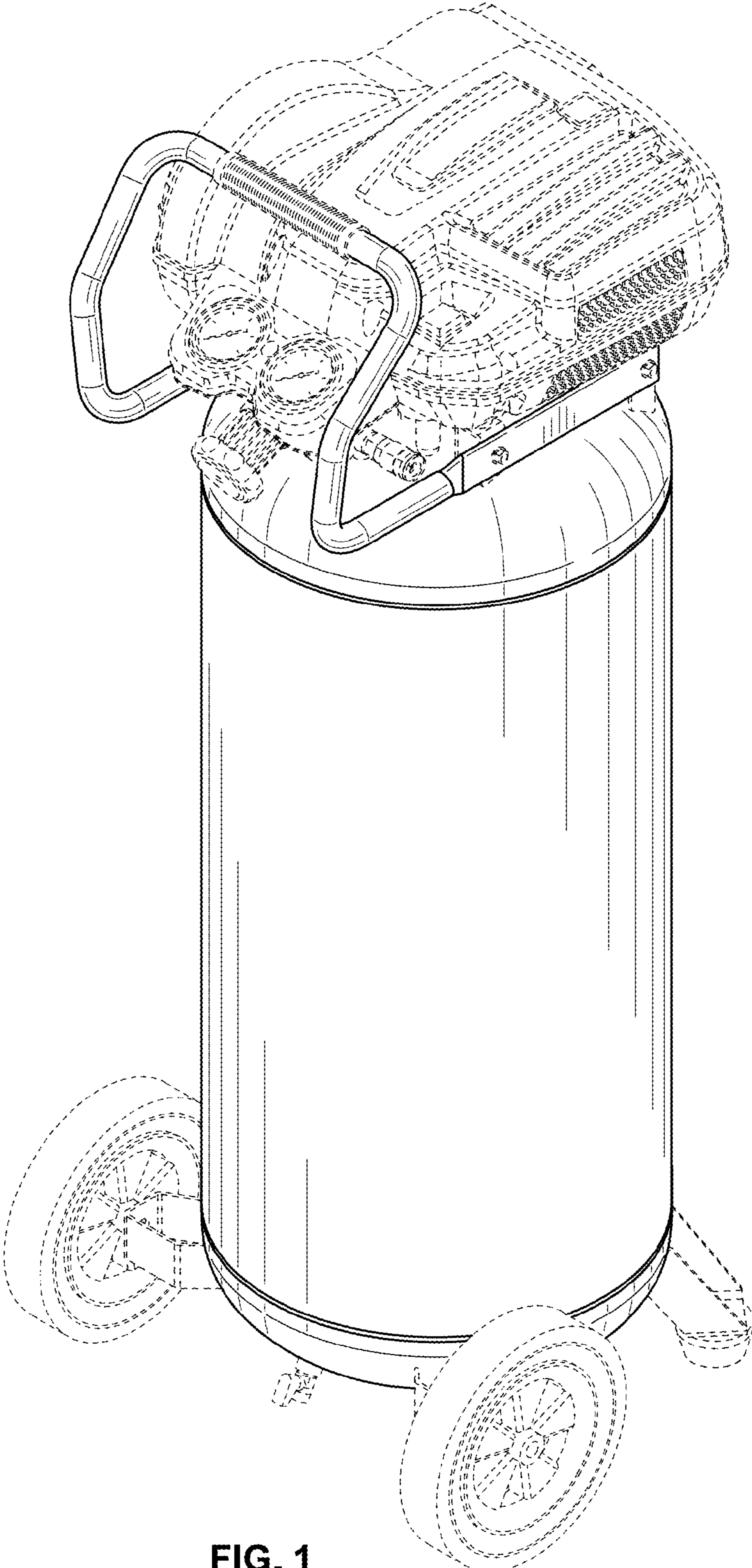


FIG. 1

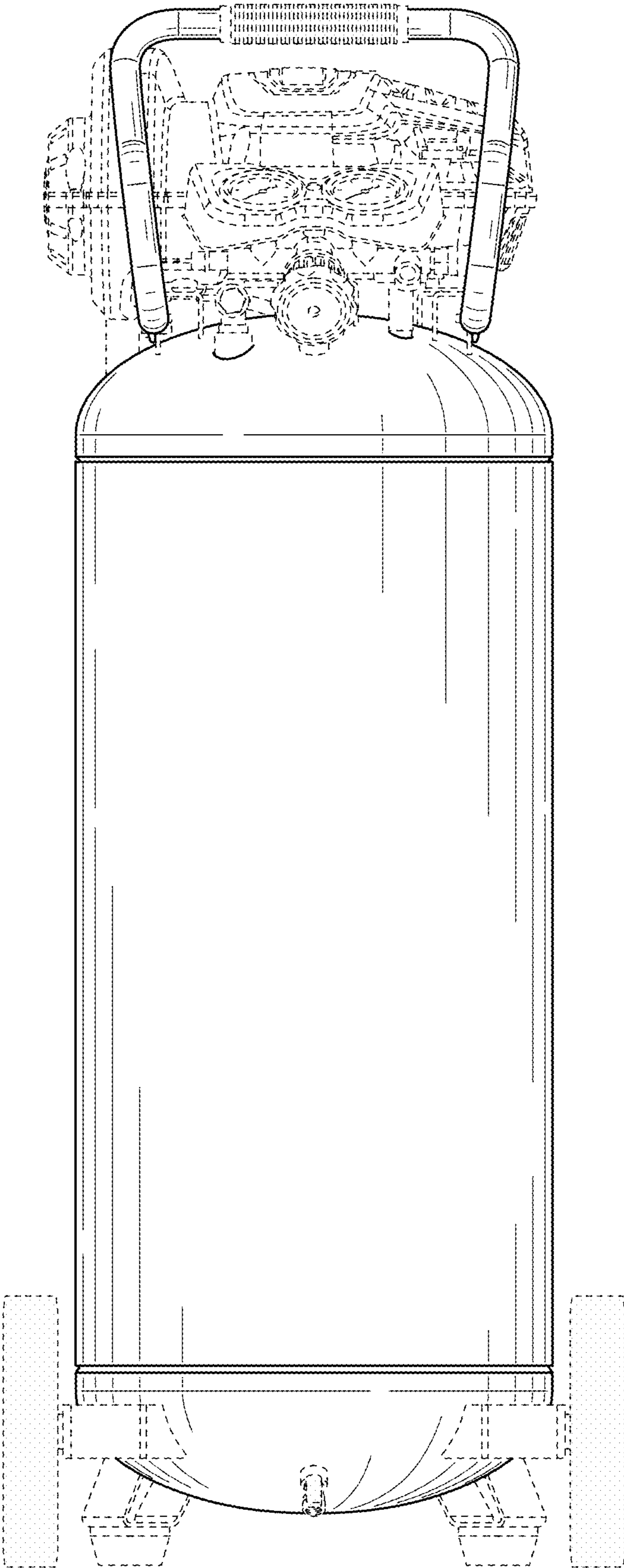


FIG. 2

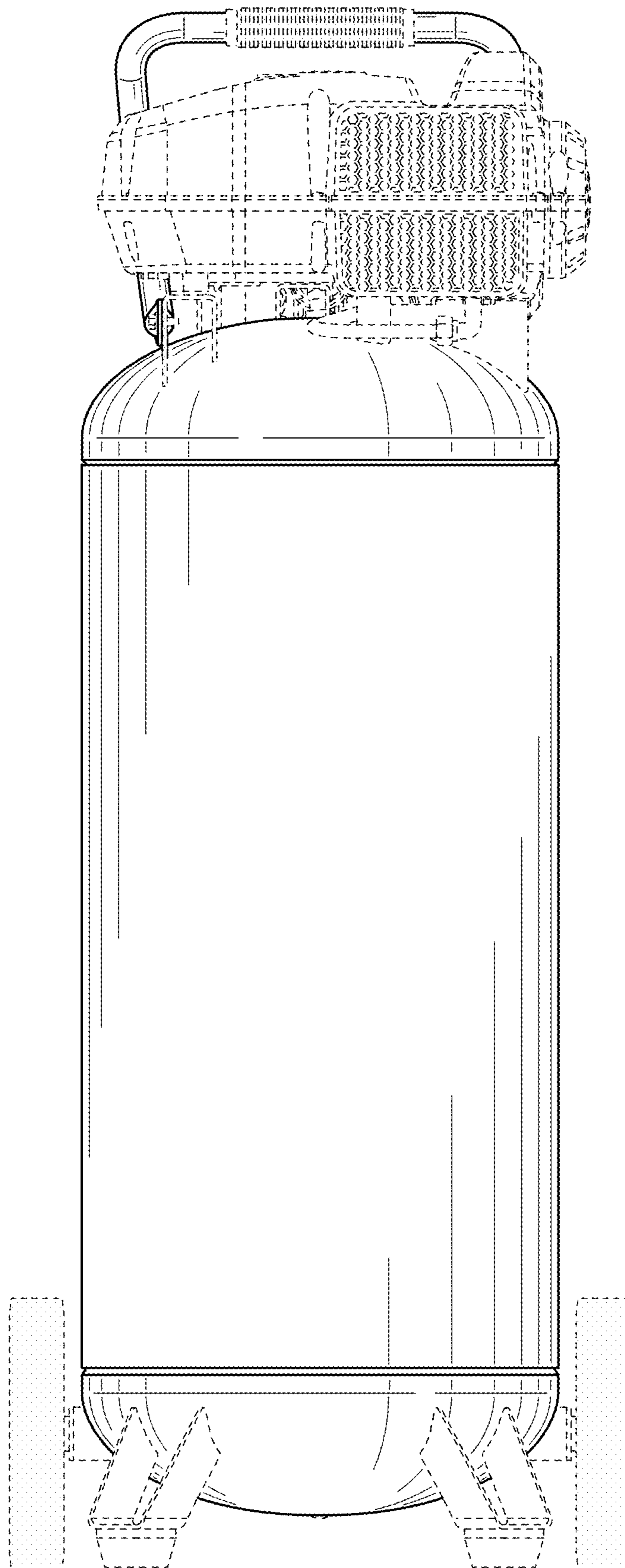


FIG. 3

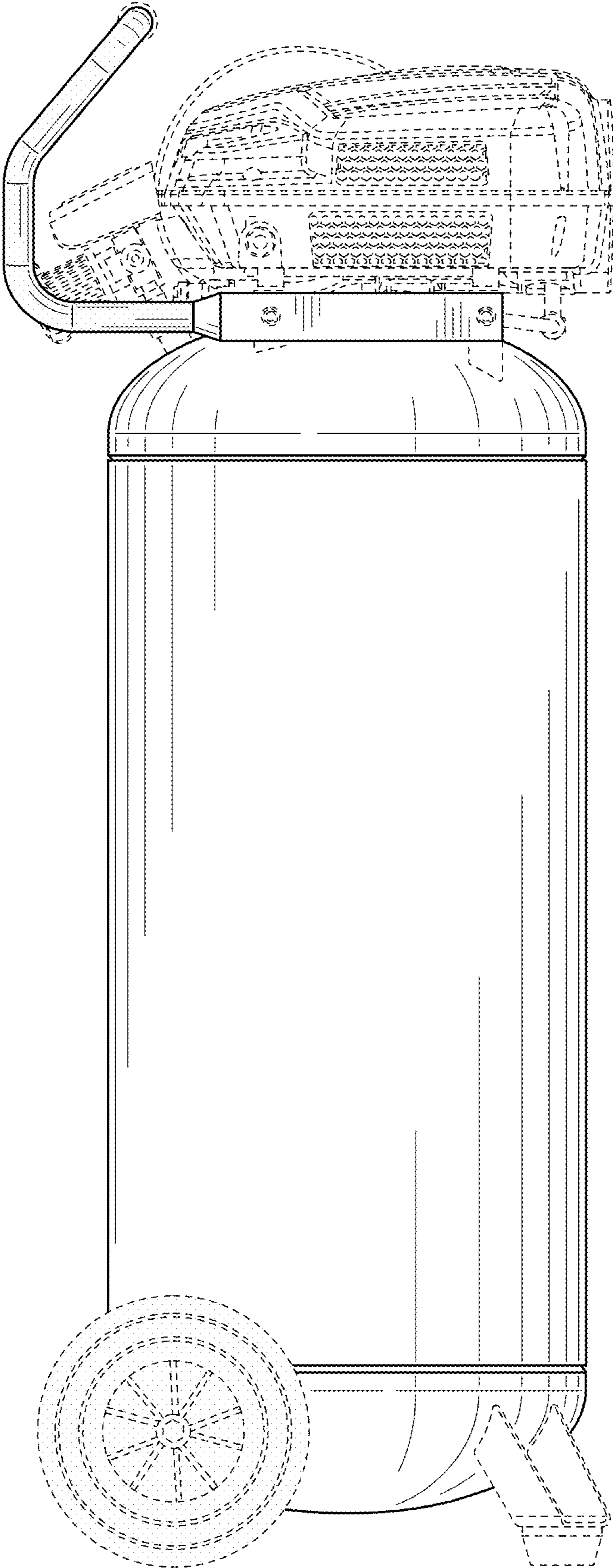


FIG. 4

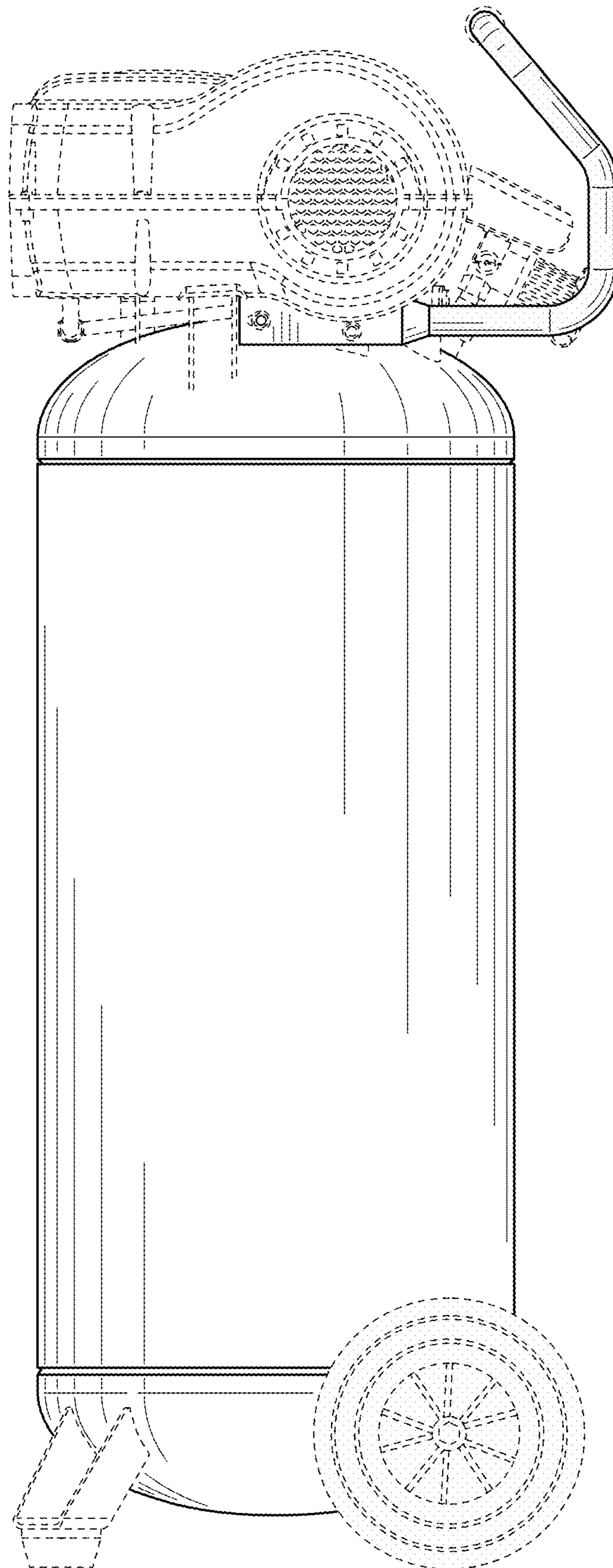


FIG. 5

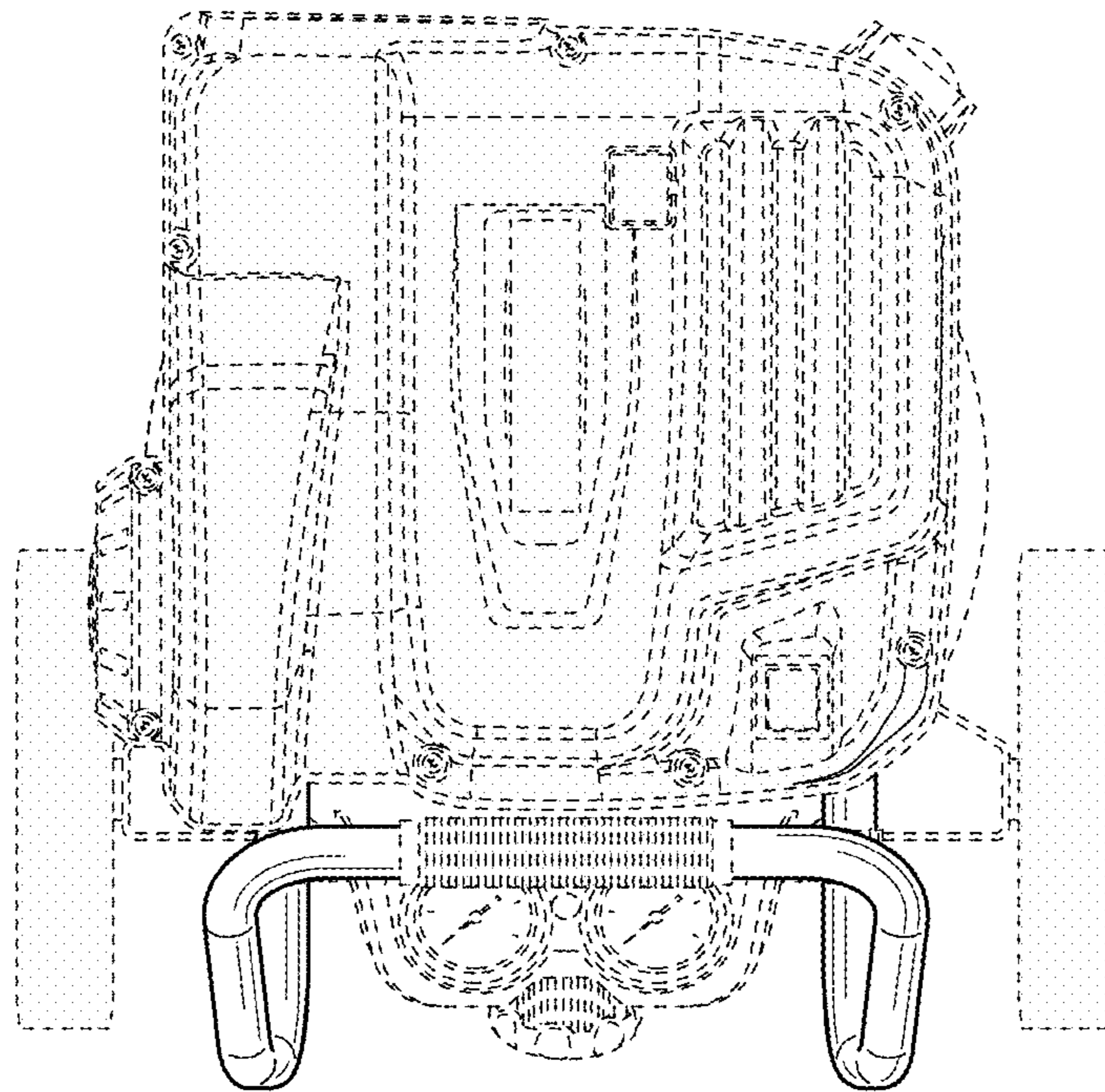


FIG. 6

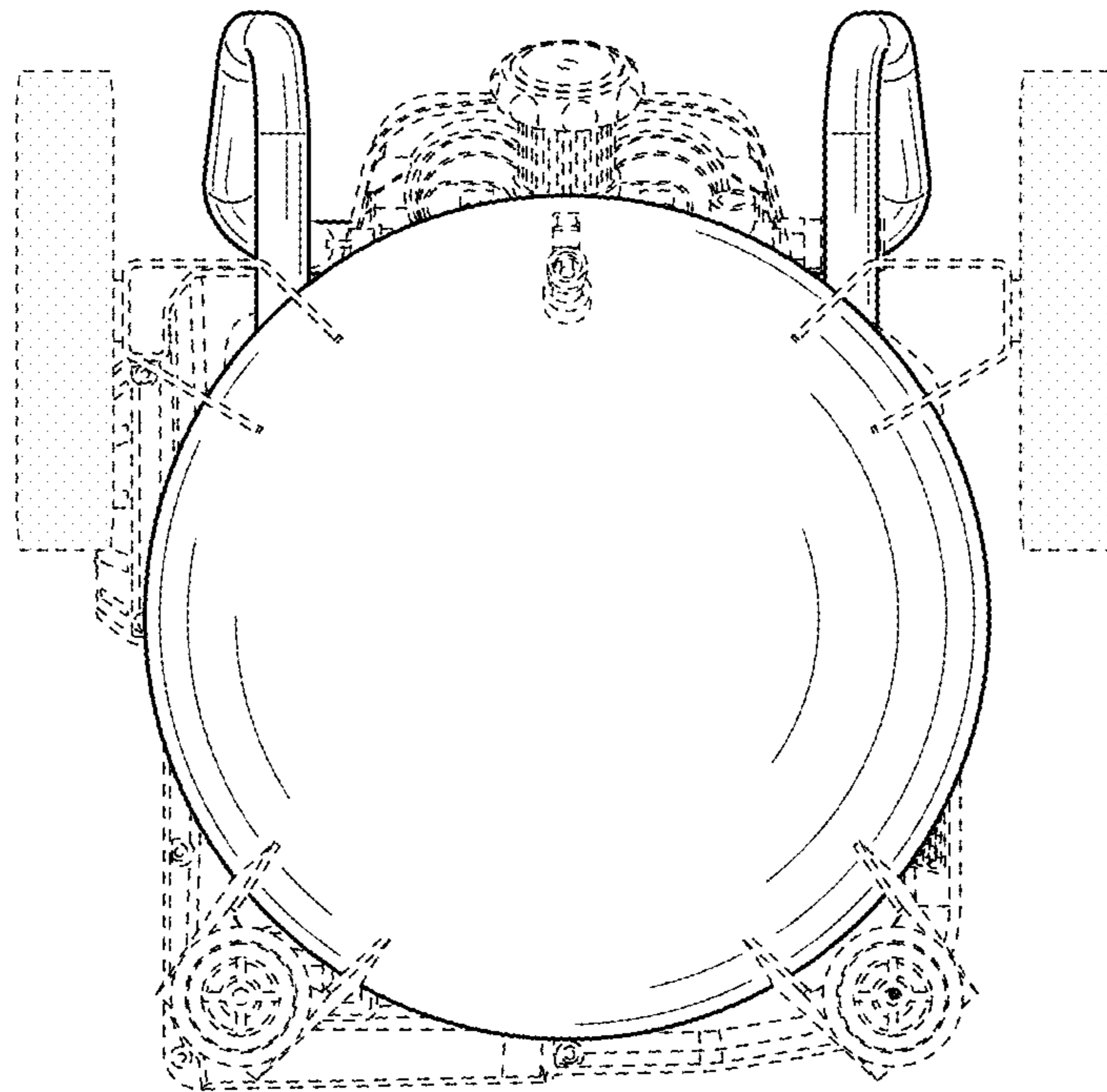


FIG. 7



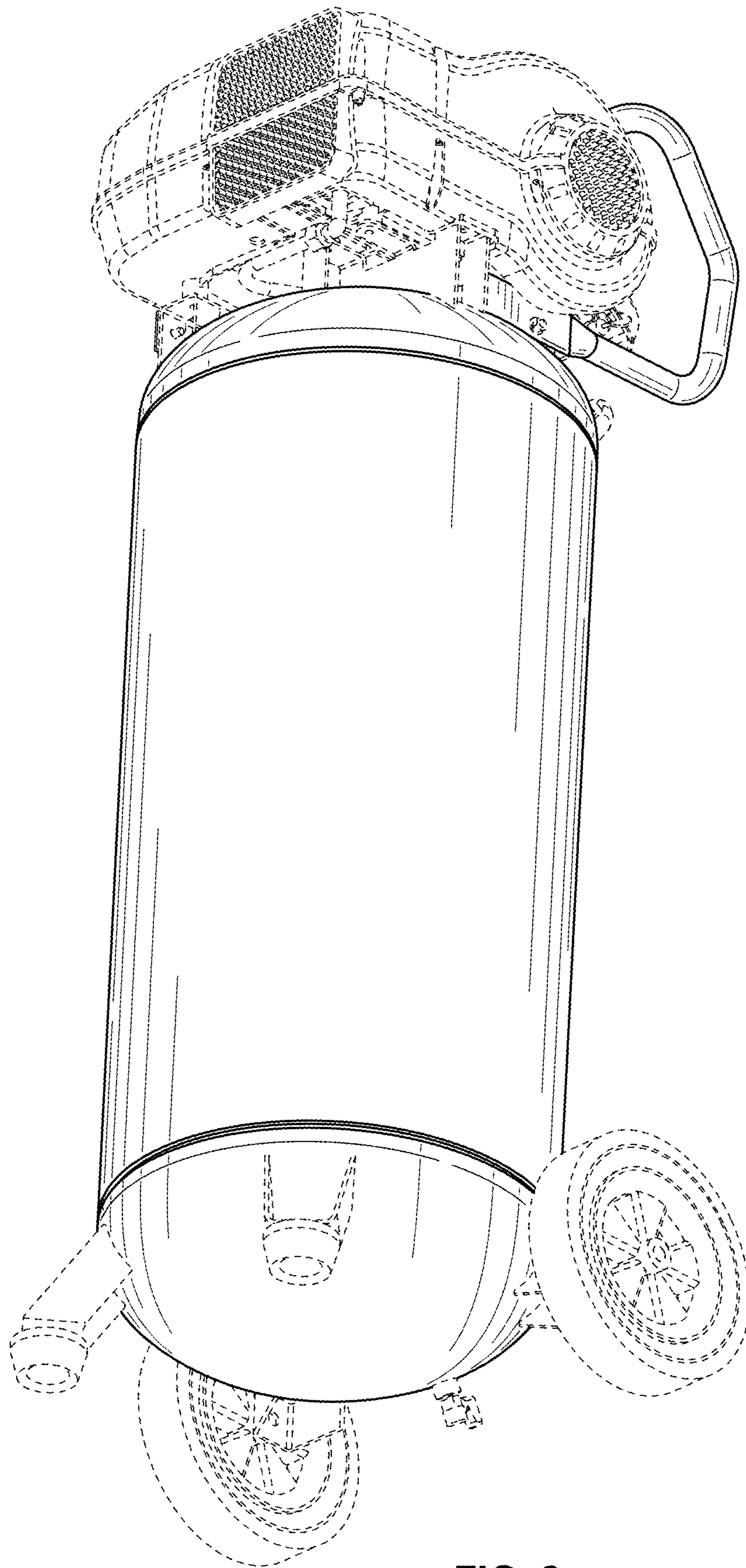


FIG. 8