



US00D909416S

(12) **United States Design Patent**
Scarleski

(10) **Patent No.:** **US D909,416 S**

(45) **Date of Patent:** **** Feb. 2, 2021**

(54) **PUMP HOUSING**

(71) Applicant: **Levitation Sciences LLC**, Chicago, IL
(US)

(72) Inventor: **William John Scarleski**, Chicago, IL
(US)

(73) Assignee: **Levitation Sciences LLC**, Chicago, IL
(US)

(**) Term: **15 Years**

(21) Appl. No.: **29/682,300**

(22) Filed: **Mar. 4, 2019**

(51) **LOC (13) Cl.** **15-02**

(52) **U.S. Cl.**
USPC **D15/7**

(58) **Field of Classification Search**
USPC D15/7-9; D23/231, 232, 225; D24/108,
D24/111
CPC F02M 37/04; F02M 37/14
See application file for complete search history.

(56) **References Cited**

U.S. PATENT DOCUMENTS

| | | | | |
|---------------|---------|---------|-------|----------------------|
| D122,458 S * | 9/1940 | Eastman | | D15/9 |
| D344,735 S * | 3/1994 | Ohman | | D15/7 |
| D356,800 S * | 3/1995 | Chen | | D15/7 |
| 5,568,117 A * | 10/1996 | Hsu | | B60Q 7/00 340/321 |
| D375,962 S * | 11/1996 | Wong | | D15/9 |
| D389,489 S * | 1/1998 | Wong | | D15/9 |

| | | | | |
|--------------|---------|----------|-------|---------|
| D390,236 S * | 2/1998 | Ashcraft | | D15/9 |
| D403,331 S * | 12/1998 | Williams | | D15/9 |
| D453,168 S * | 1/2002 | Chou | | D15/7 |
| D465,791 S * | 11/2002 | Moan | | D15/7 |
| D469,176 S * | 1/2003 | Hall | | D24/108 |
| D478,984 S * | 8/2003 | Hall | | D24/108 |
| D484,147 S * | 12/2003 | Tai | | D15/9 |
| D498,768 S * | 11/2004 | Romandy | | D15/9 |
| D538,825 S * | 3/2007 | Chen Han | | D15/9 |
| D594,880 S * | 6/2009 | Austen | | D15/7 |
| D787,558 S * | 5/2017 | Thorn | | D15/5 |

* cited by examiner

Primary Examiner — Mitchell I. Siegel

(74) *Attorney, Agent, or Firm* — SmithAmundsen LLC

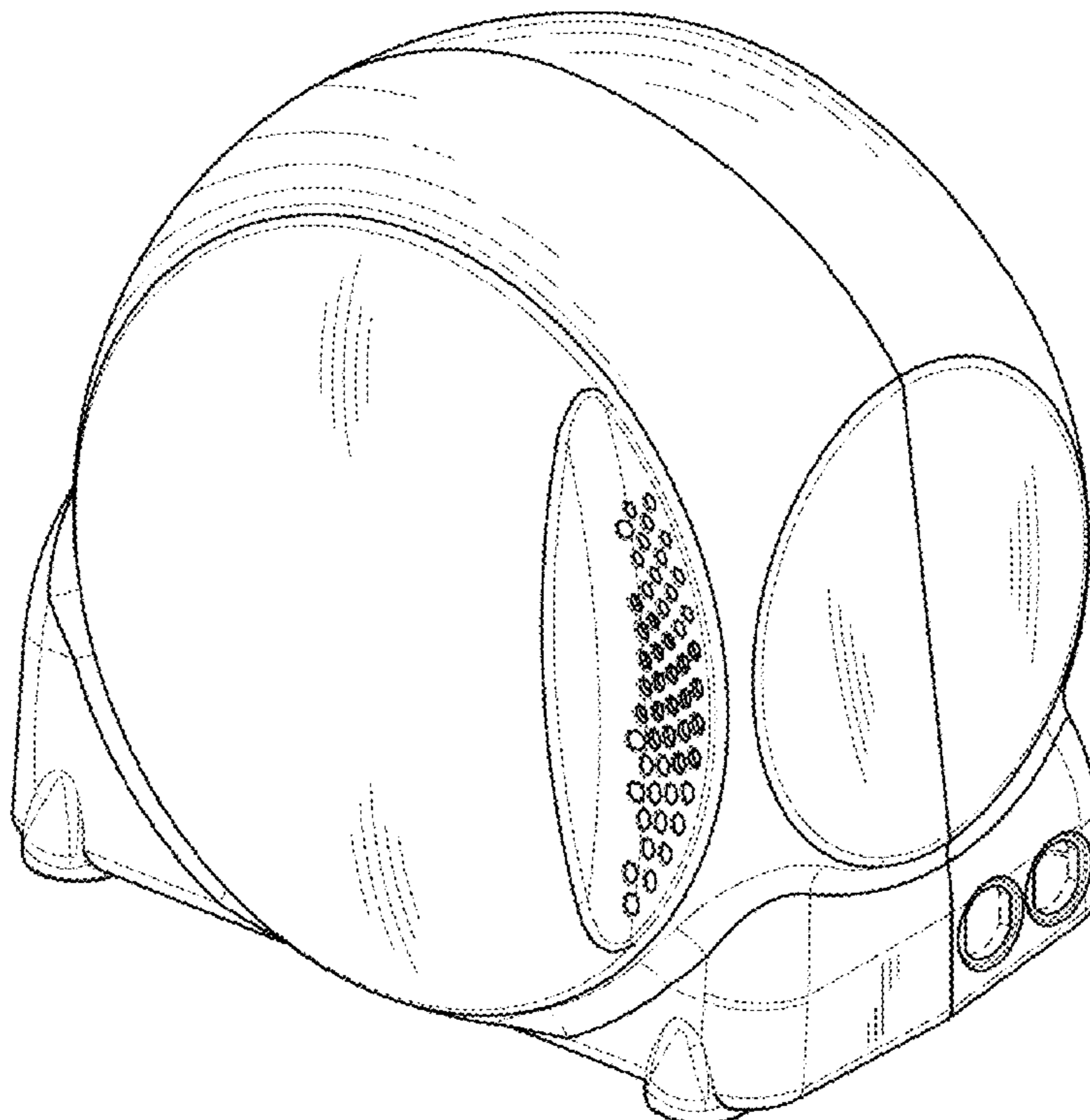
(57) **CLAIM**

The ornamental design for a pump housing, as shown and described.

DESCRIPTION

FIG. 1 is a right side view of a pump housing;
FIG. 2 is a rear view of the pump housing;
FIG. 3 is a left side view of the pump housing;
FIG. 4 is a front perspective view of the pump housing;
FIG. 5 is a bottom perspective view of the pump housing;
FIG. 6 is a side perspective view of the pump housing; and,
FIG. 7 is a rear perspective of the pump housing; and,
FIG. 8 is a front view of the pump housing.
The broken lines shown in the drawings depict portions of the pump housing that form no part of the claimed design.

1 Claim, 8 Drawing Sheets



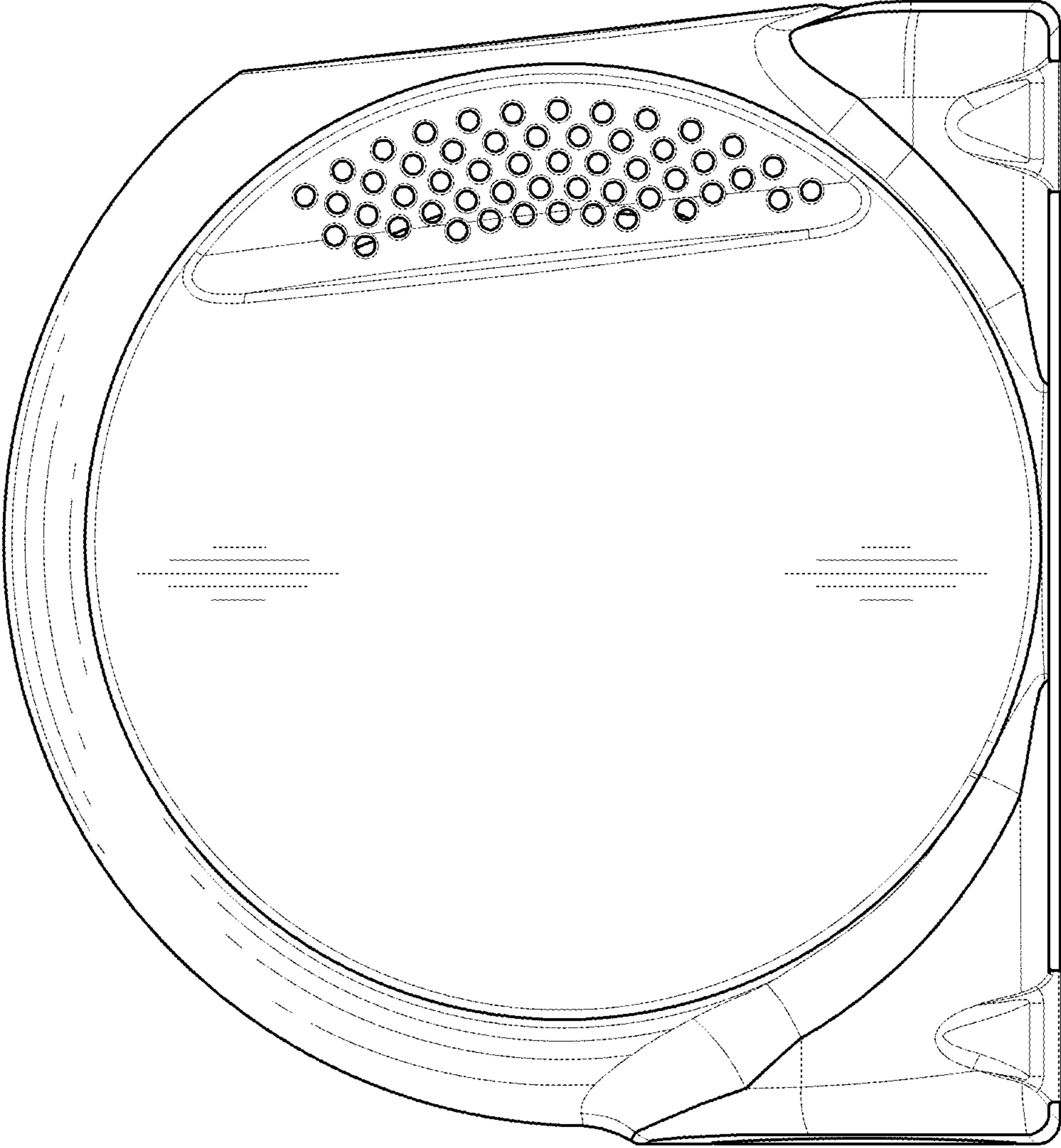


FIG. 1

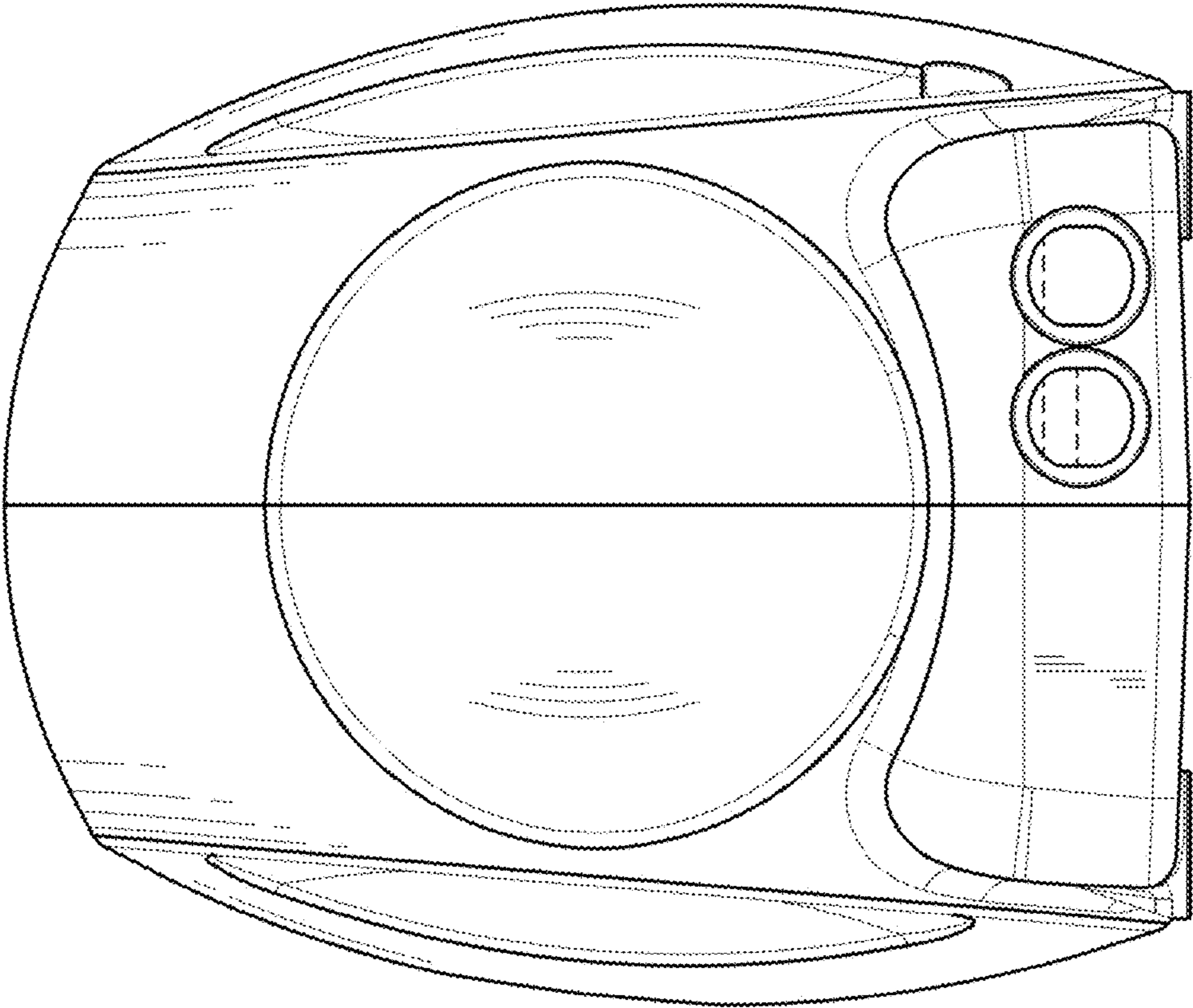


FIG. 2

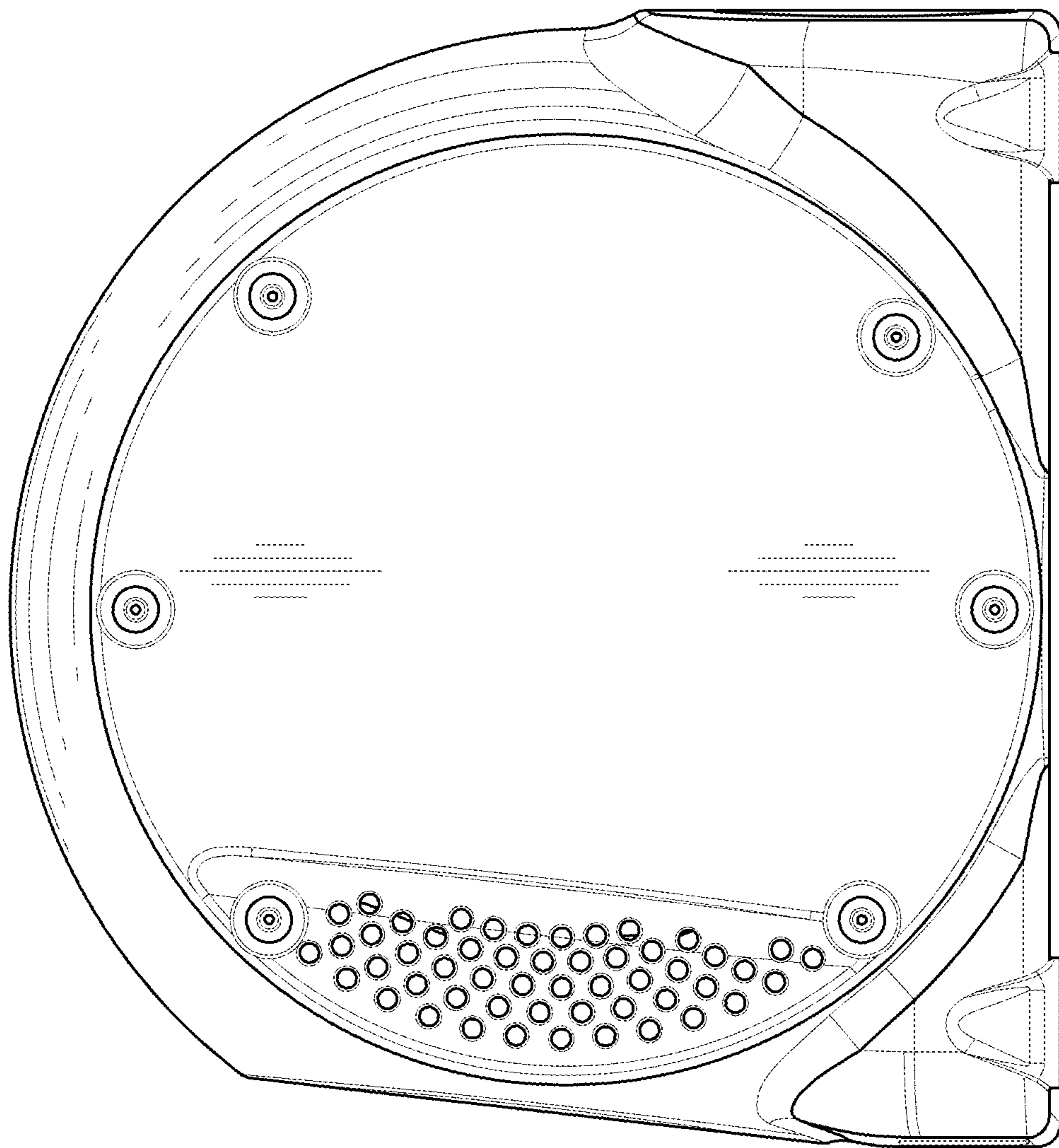


FIG. 3

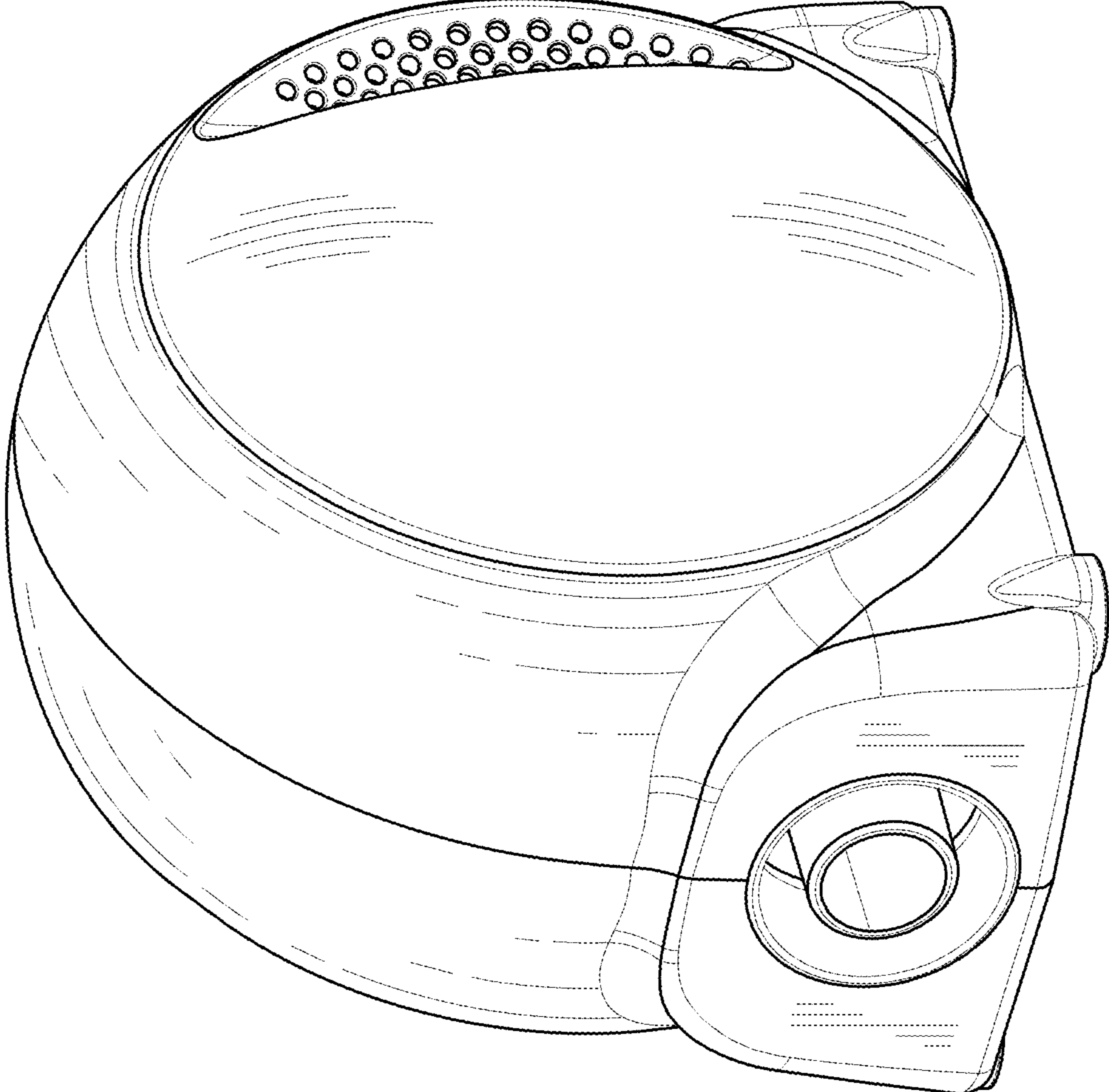


FIG. 4

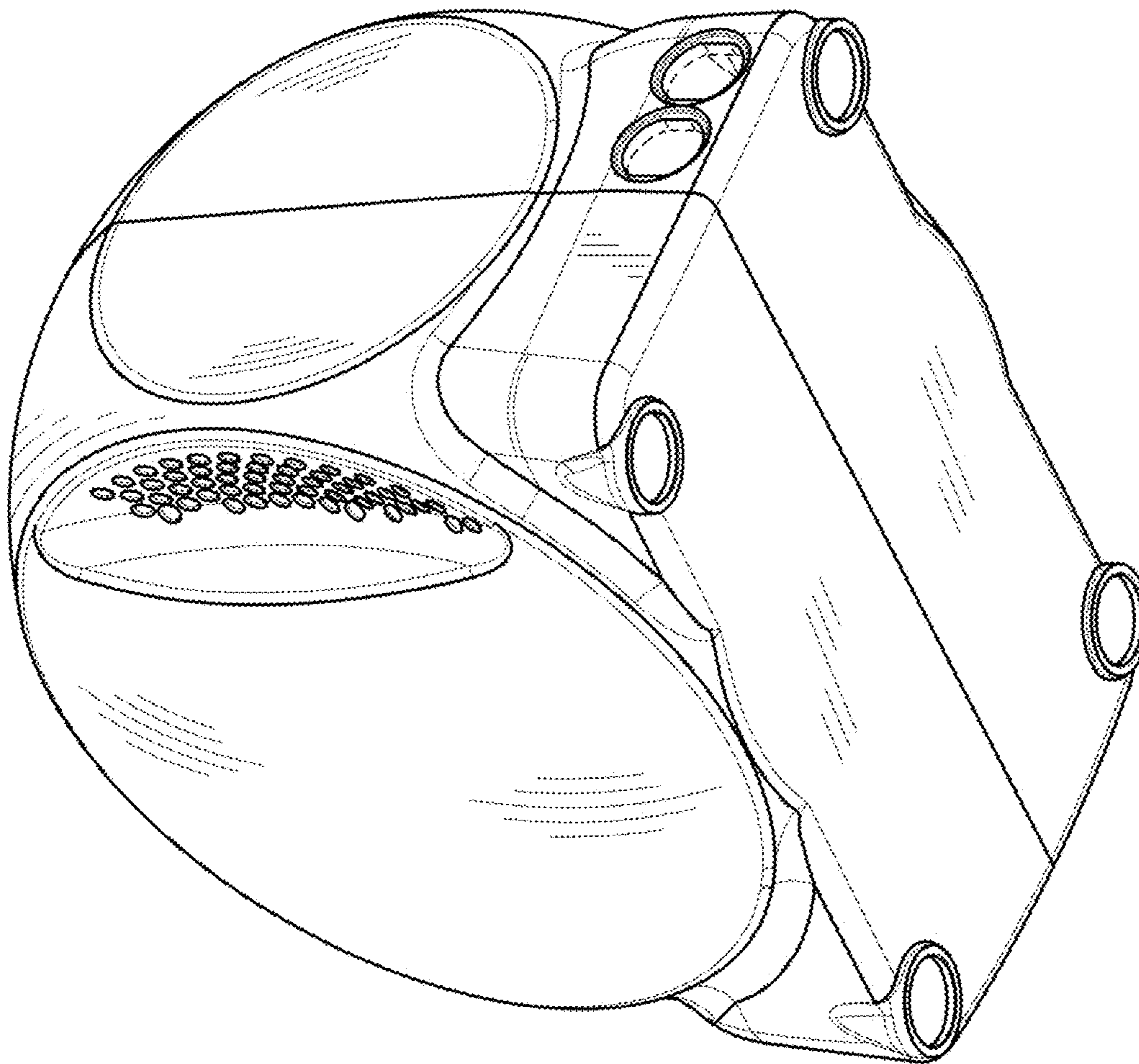


FIG. 5

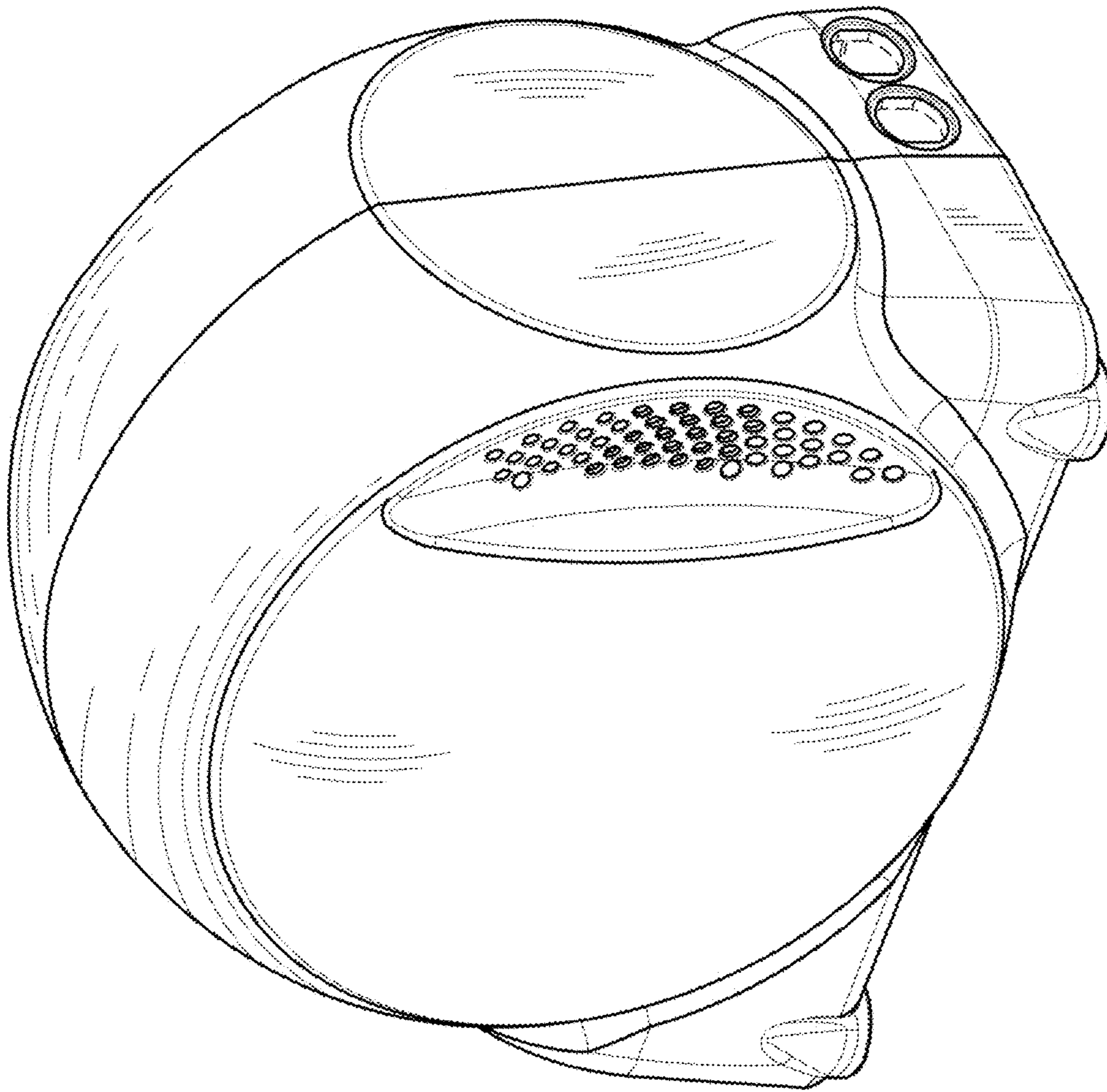


FIG. 6

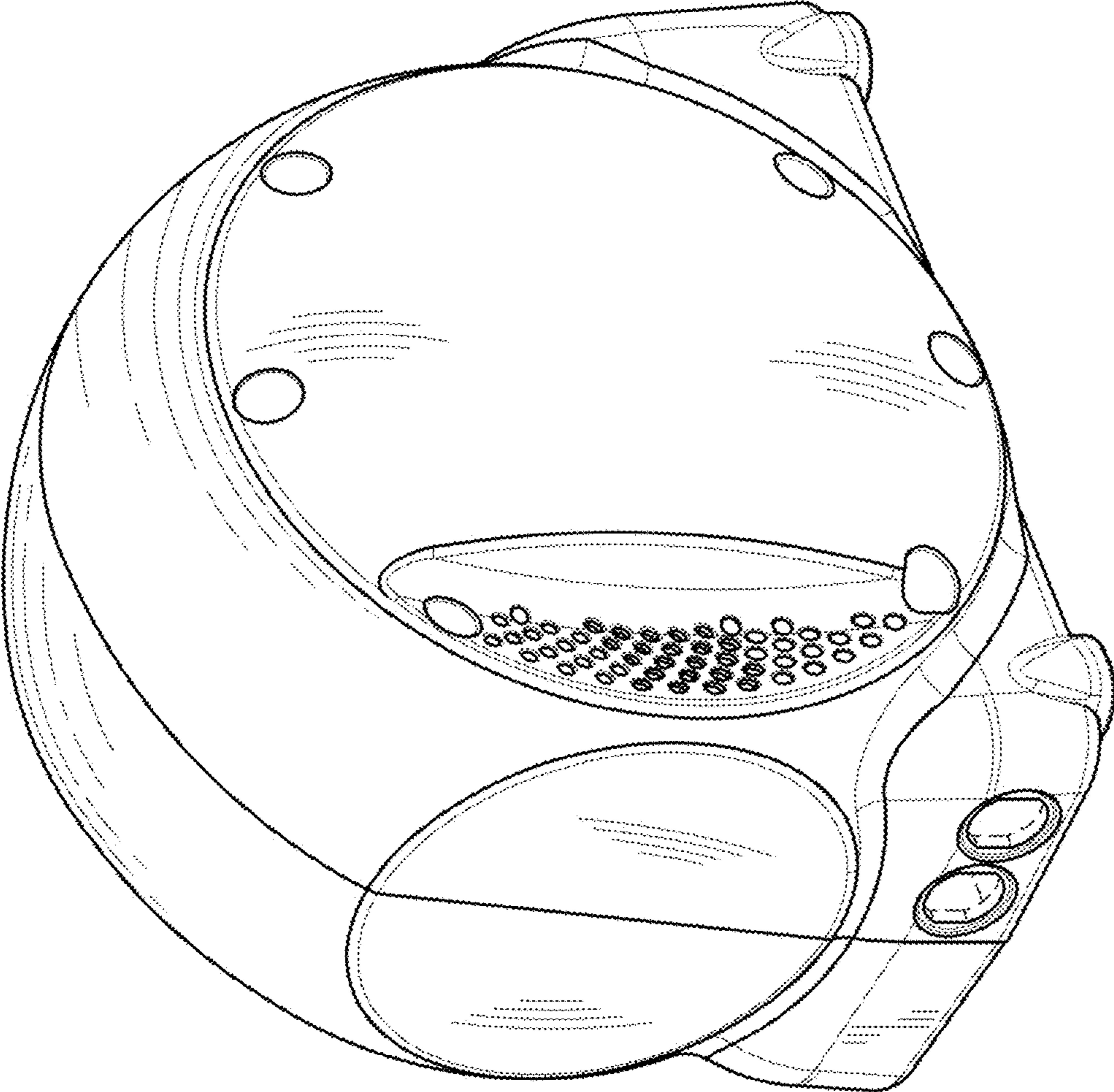


FIG. 7

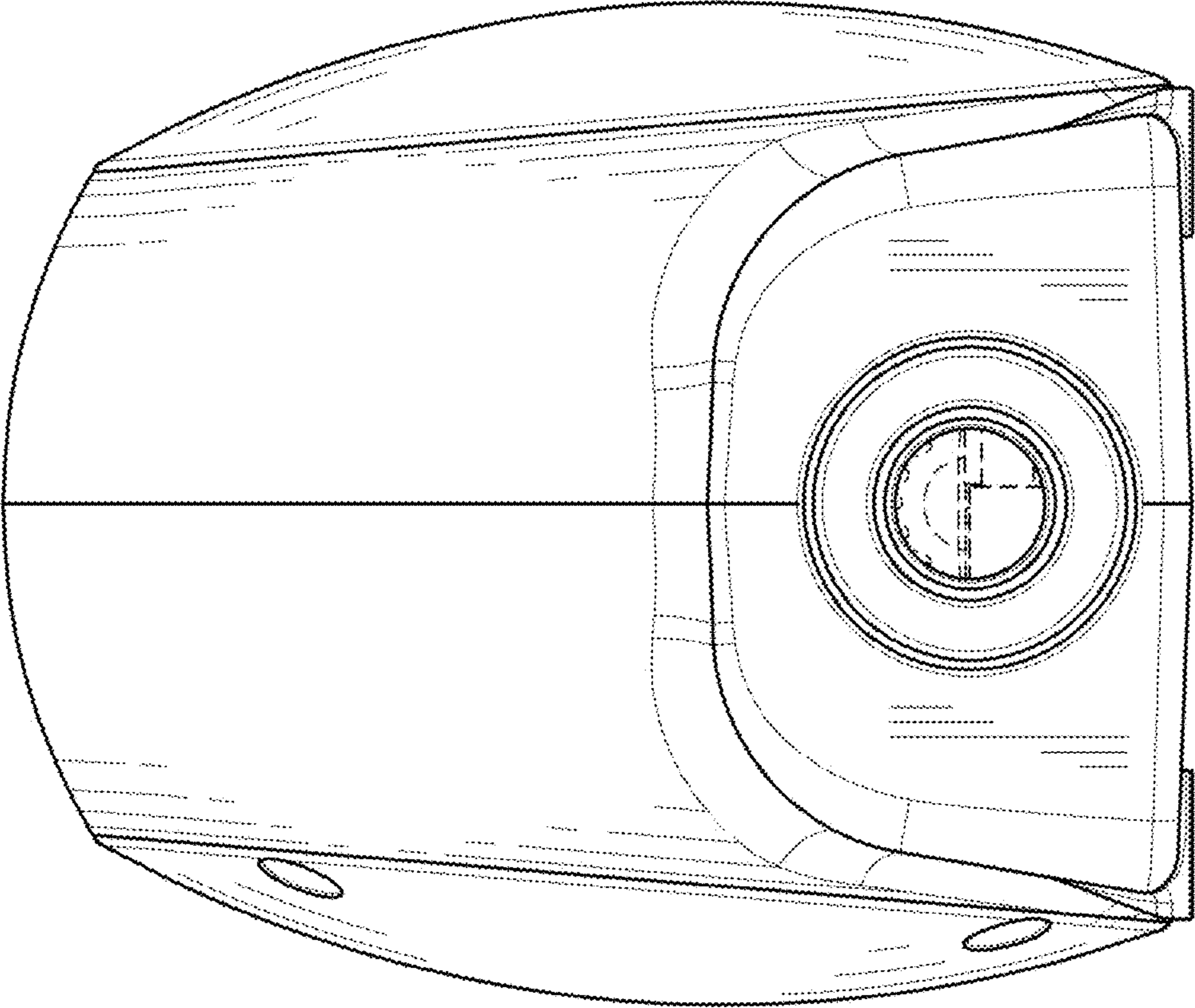


FIG. 8