



US00D909415S

(12) **United States Design Patent** (10) **Patent No.:** **US D909,415 S**  
**Keatley** (45) **Date of Patent:** **\*\* Feb. 2, 2021**

(54) **VEHICLE SERVICE LINE HOLDER**

2008/0280460 A1\* 11/2008 Fudala ..... H01R 31/06  
439/35

(71) Applicant: **SAF-HOLLAND, Inc.**, Muskegon, MI  
(US)

2016/0361959 A1\* 12/2016 Keatley ..... B62D 53/08  
2018/0354326 A1\* 12/2018 Keatley ..... F04B 39/12

\* cited by examiner

(72) Inventor: **Justin Keatley**, Zeeland, MI (US)

*Primary Examiner* — Ania Aman

(73) Assignee: **SAF-HOLLAND, Inc.**, Muskegon, MI  
(US)

(74) *Attorney, Agent, or Firm* — Price Heneveld LLP

(\*\*) Term: **15 Years**

(57) **CLAIM**

The ornamental design for a vehicle service line holder, as shown and described.

(21) Appl. No.: **29/701,452**

**DESCRIPTION**

(22) Filed: **Aug. 12, 2019**

(51) **LOC (13) Cl.** ..... **15-01**

(52) **U.S. Cl.**

USPC ..... **D15/5**

(58) **Field of Classification Search**

USPC .... D15/5; D12/42, 106, 159, 160, 161, 162,  
D12/223; D8/396

CPC ..... B62D 53/08; B62D 53/125; B60D 1/64;  
B60T 17/04

See application file for complete search history.

FIG. 1 is a first perspective view of a vehicle service line holder;

FIG. 2 is a second perspective view of the vehicle service line holder;

FIG. 3 is a front elevational view of the vehicle service line holder;

FIG. 4 is a rear elevational view of the vehicle service line holder;

FIG. 5 is a first side elevational view of the vehicle service line holder;

FIG. 6 is a second side elevational view of the vehicle service line holder;

FIG. 7 is a top plan view of the vehicle service line holder; and,

FIG. 8 is a bottom plan view of the vehicle service line holder.

The broken line shown in the drawings are for the purpose of illustrating portions of the article and form no part of the claimed design.

(56) **References Cited**

**U.S. PATENT DOCUMENTS**

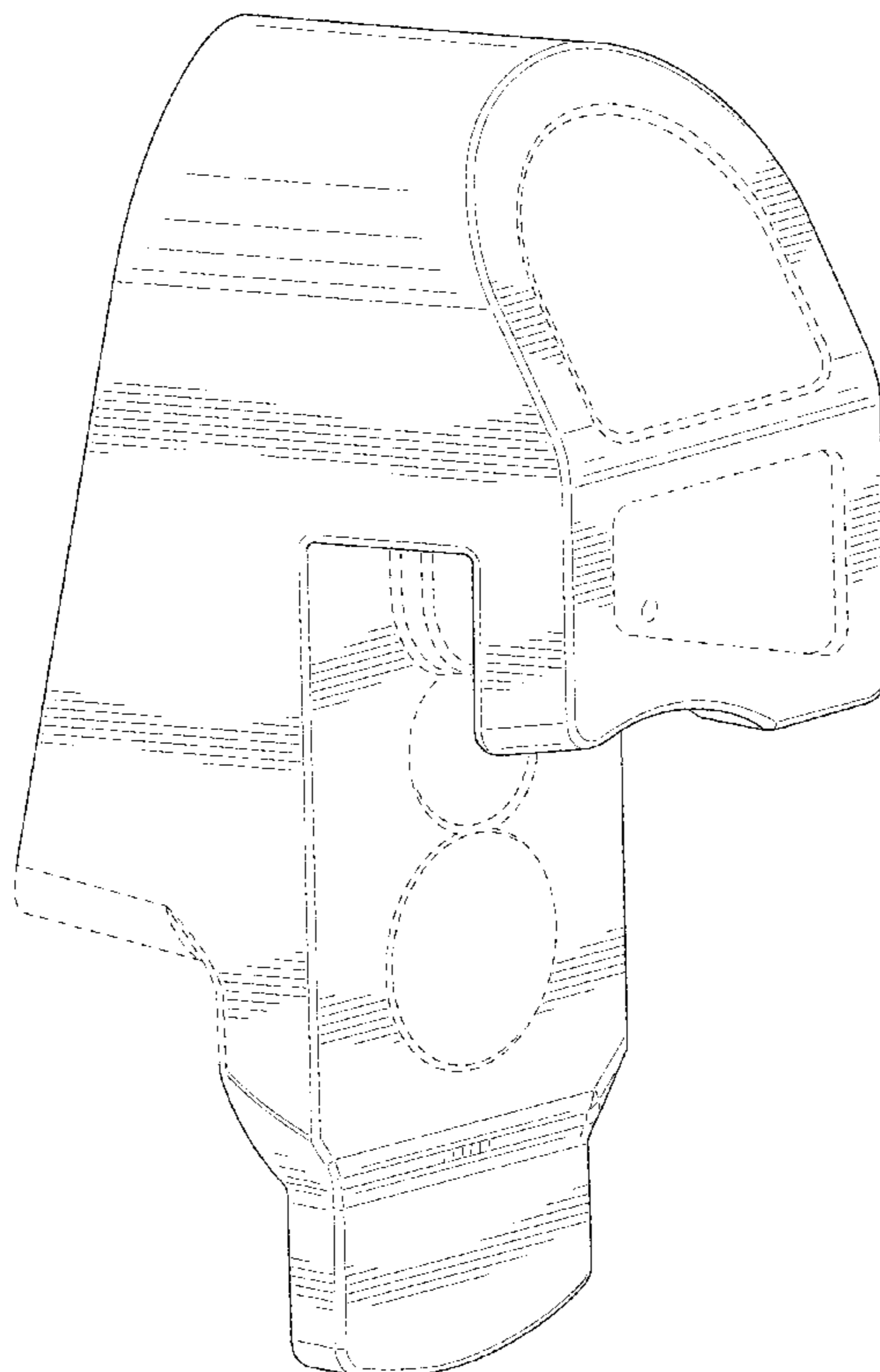
D415,117 S \* 10/1999 Belinky ..... D12/162  
6,076,691 A \* 6/2000 Belinky ..... B60D 1/62  
220/3.9

10,513,233 B1 \* 12/2019 Ghannam ..... B60D 1/64

10,661,622 B2 \* 5/2020 Keatley ..... B62D 53/0857

D886,566 S \* 6/2020 Hill ..... D8/301

**1 Claim, 7 Drawing Sheets**



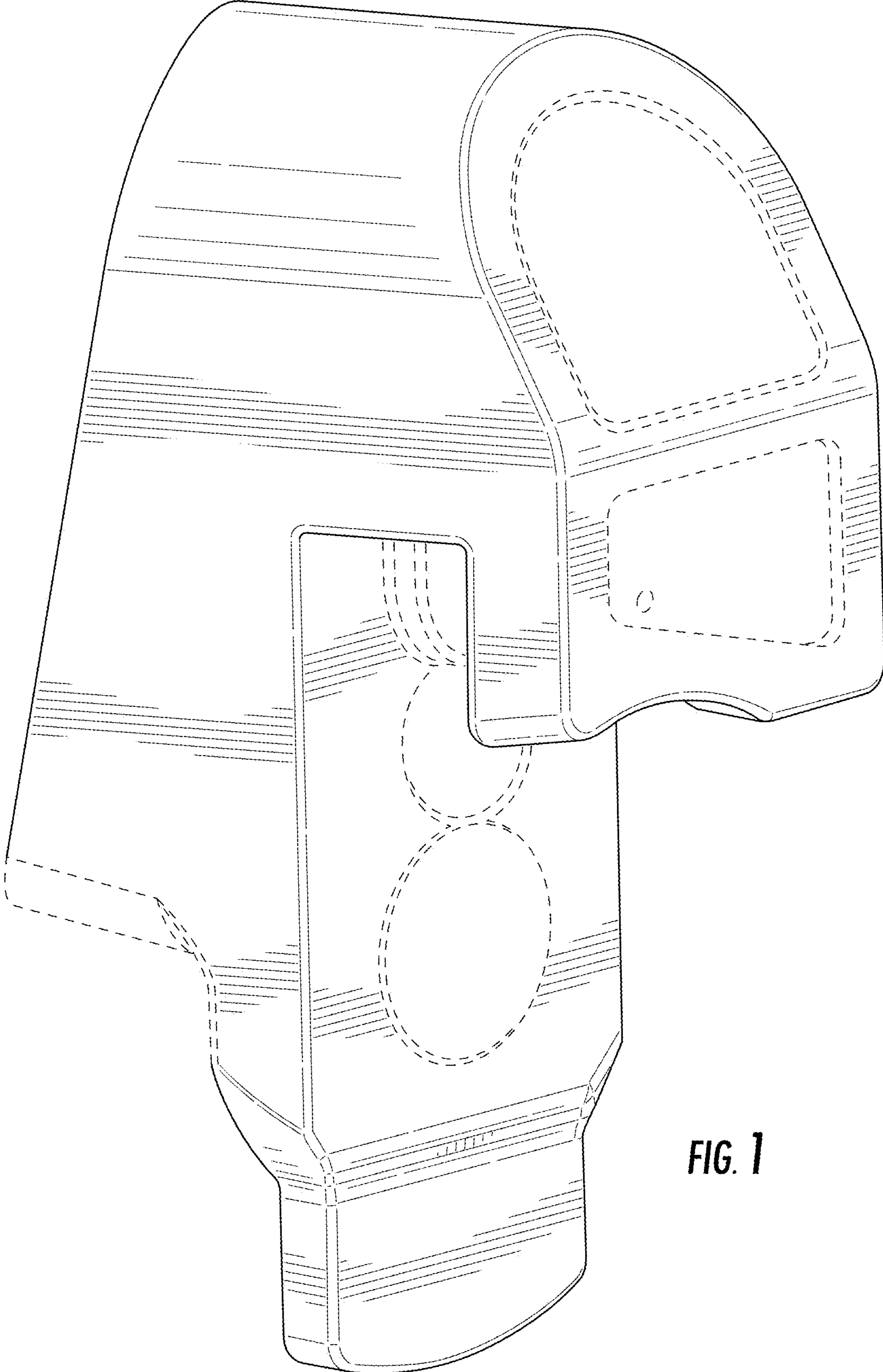


FIG. 1

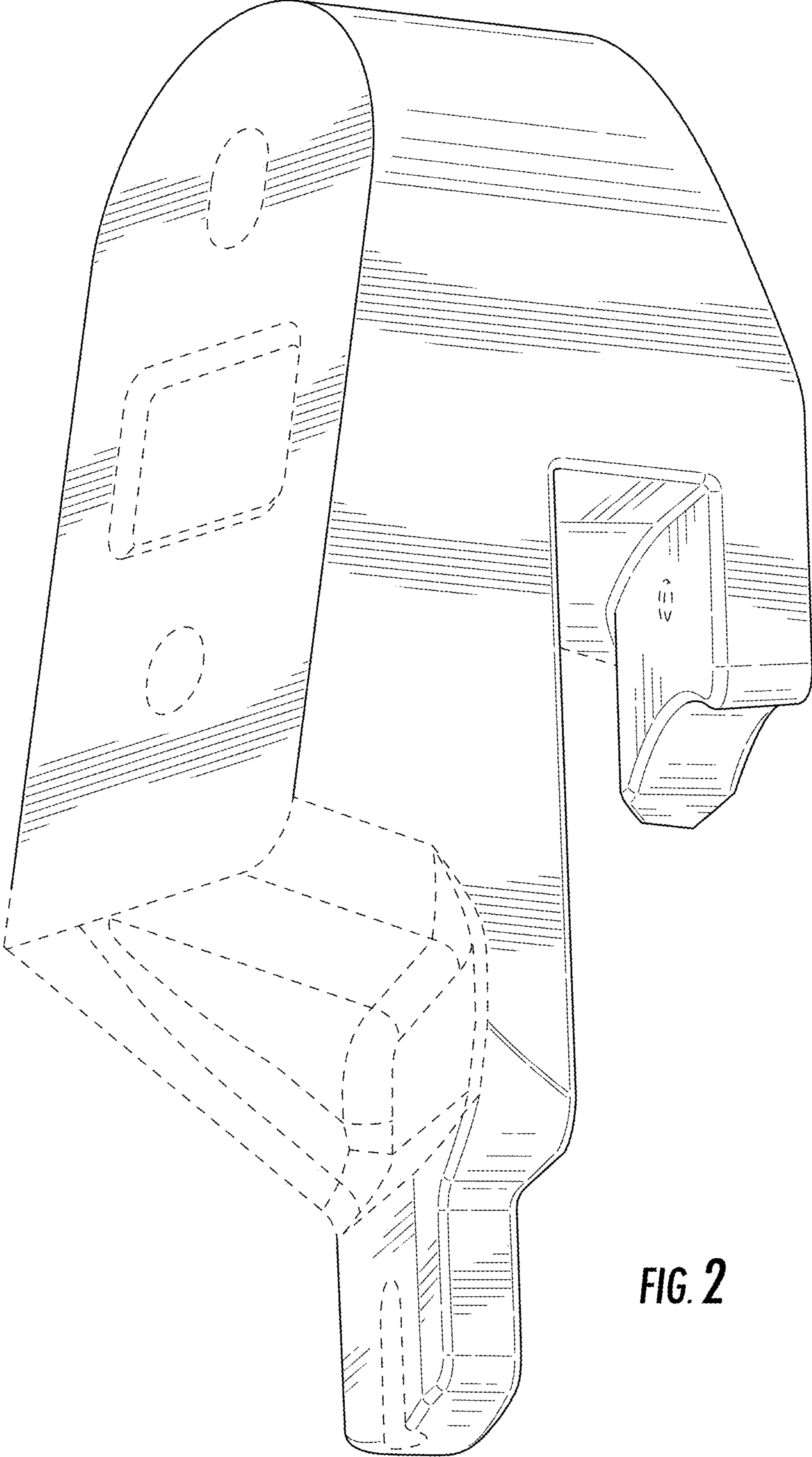
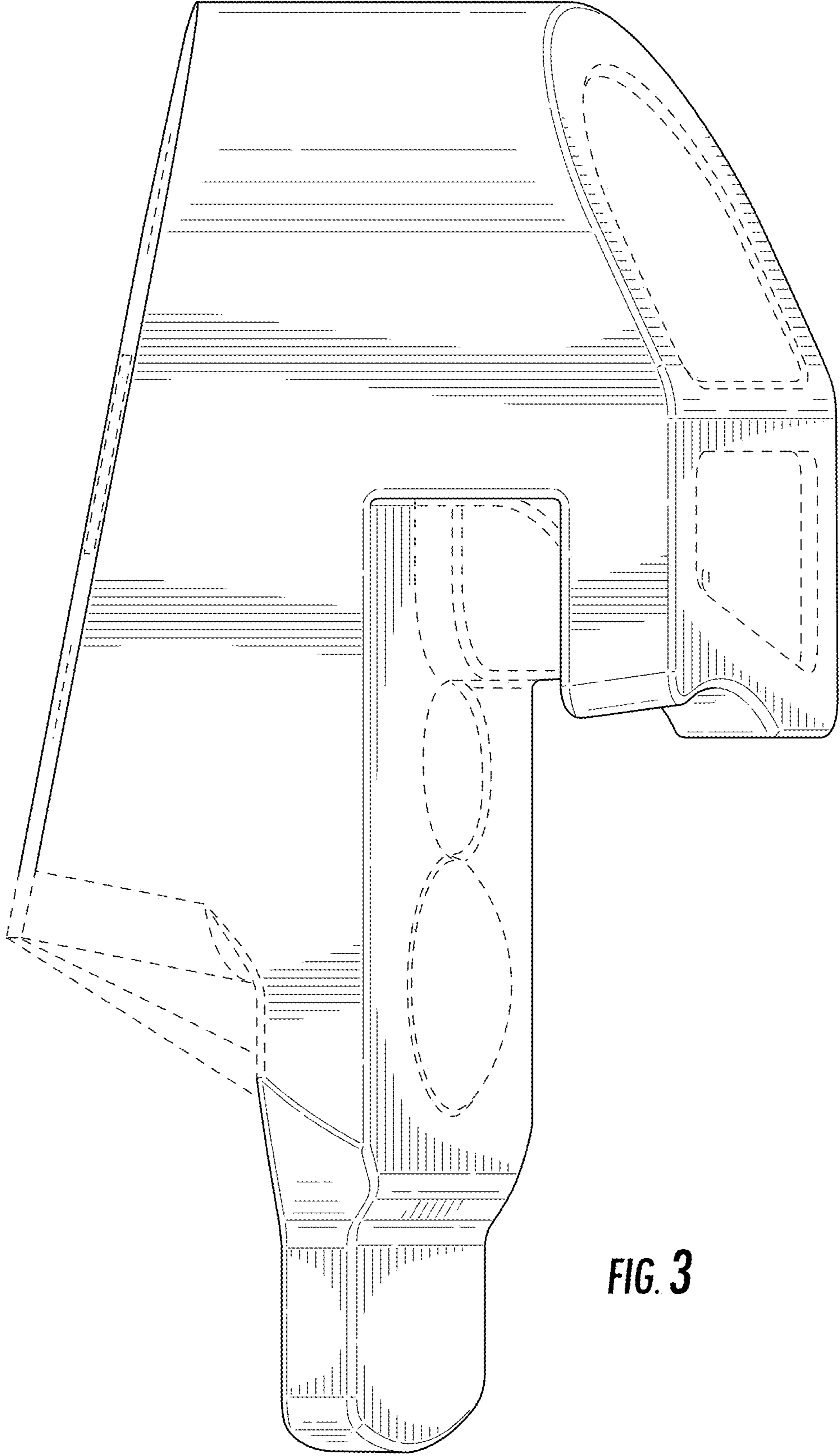


FIG. 2



**FIG. 3**

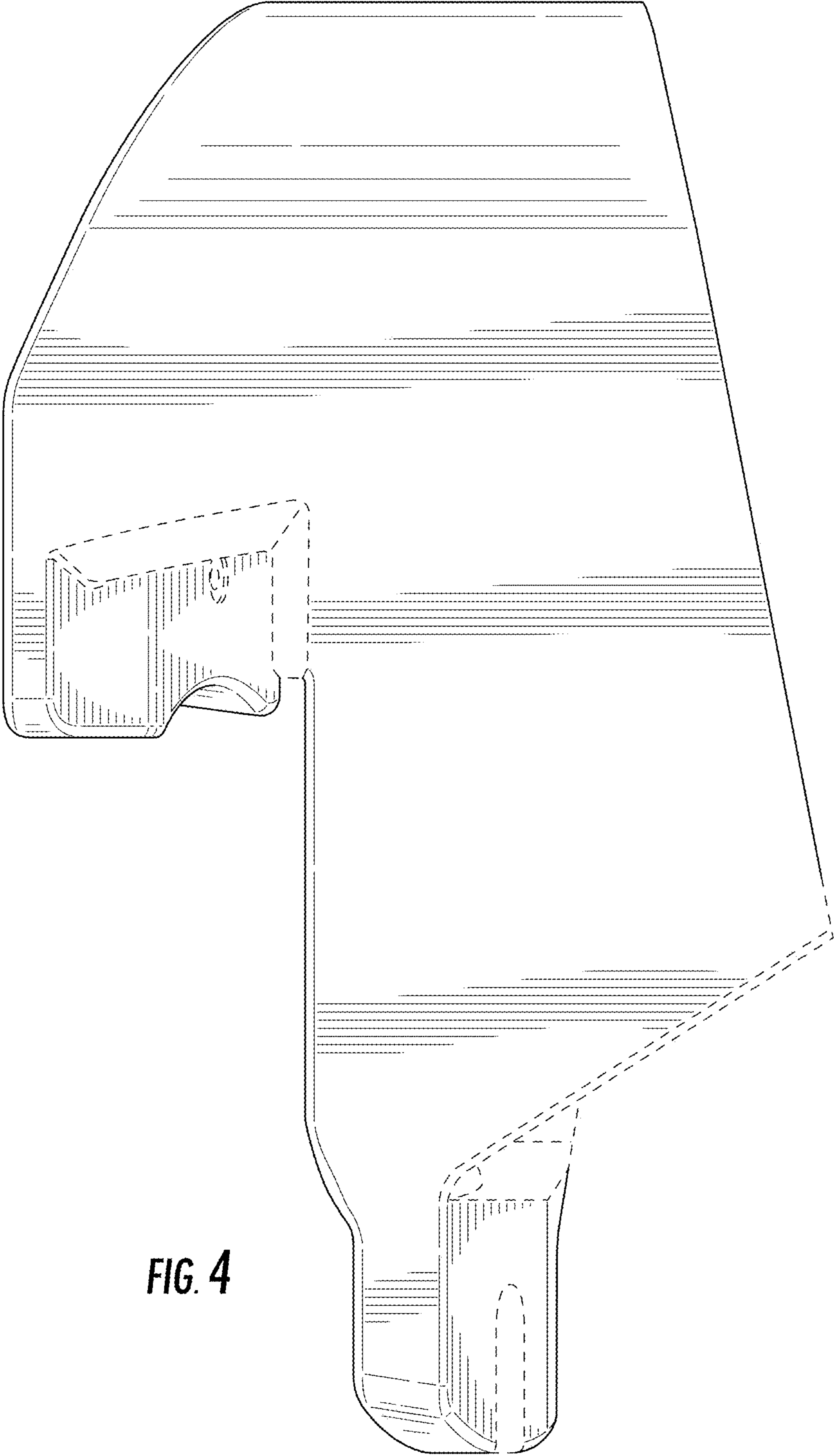


FIG. 4

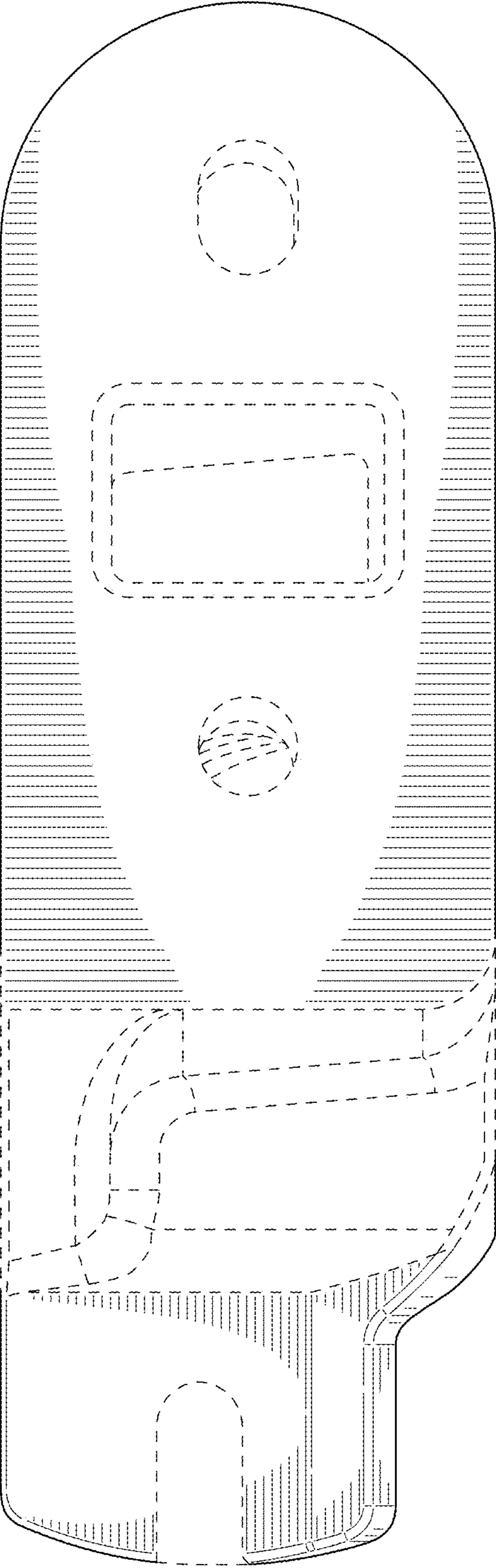


FIG. 5

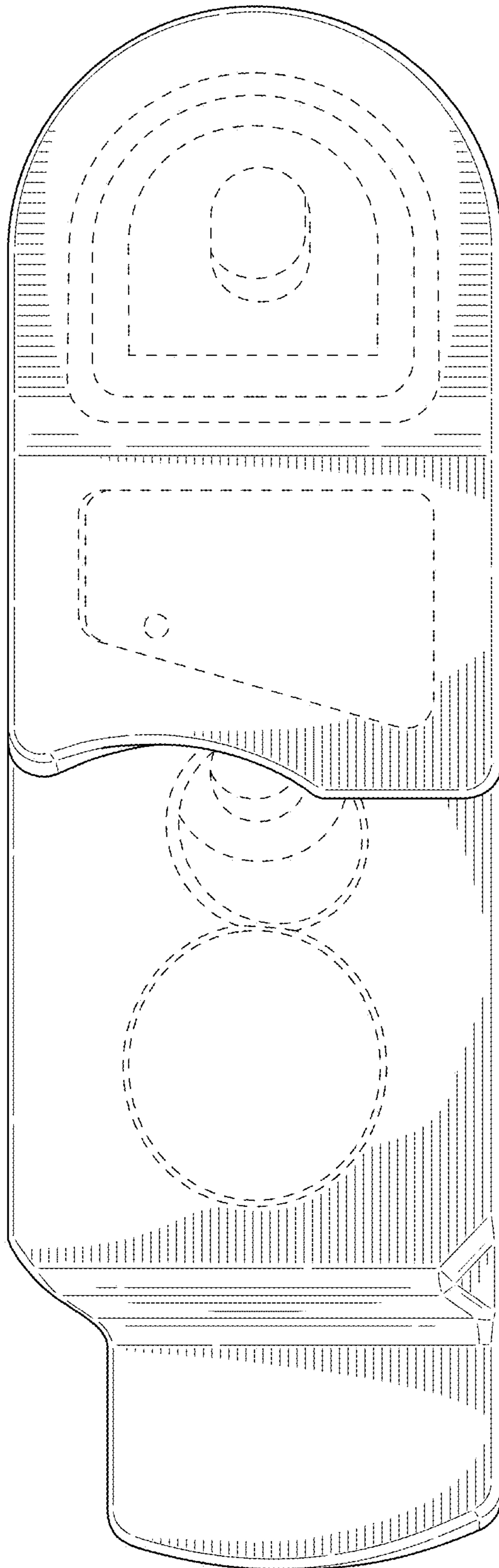
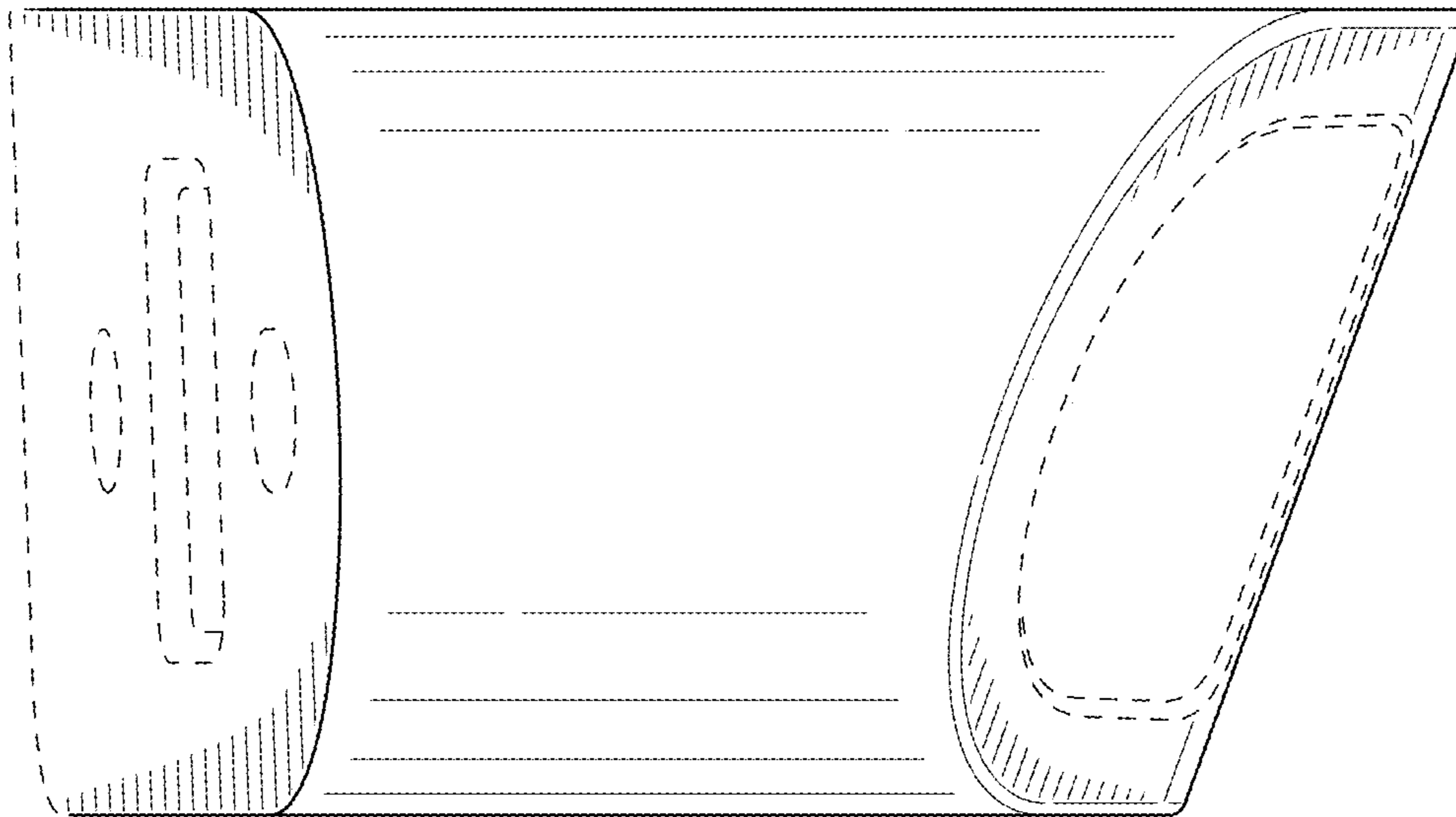
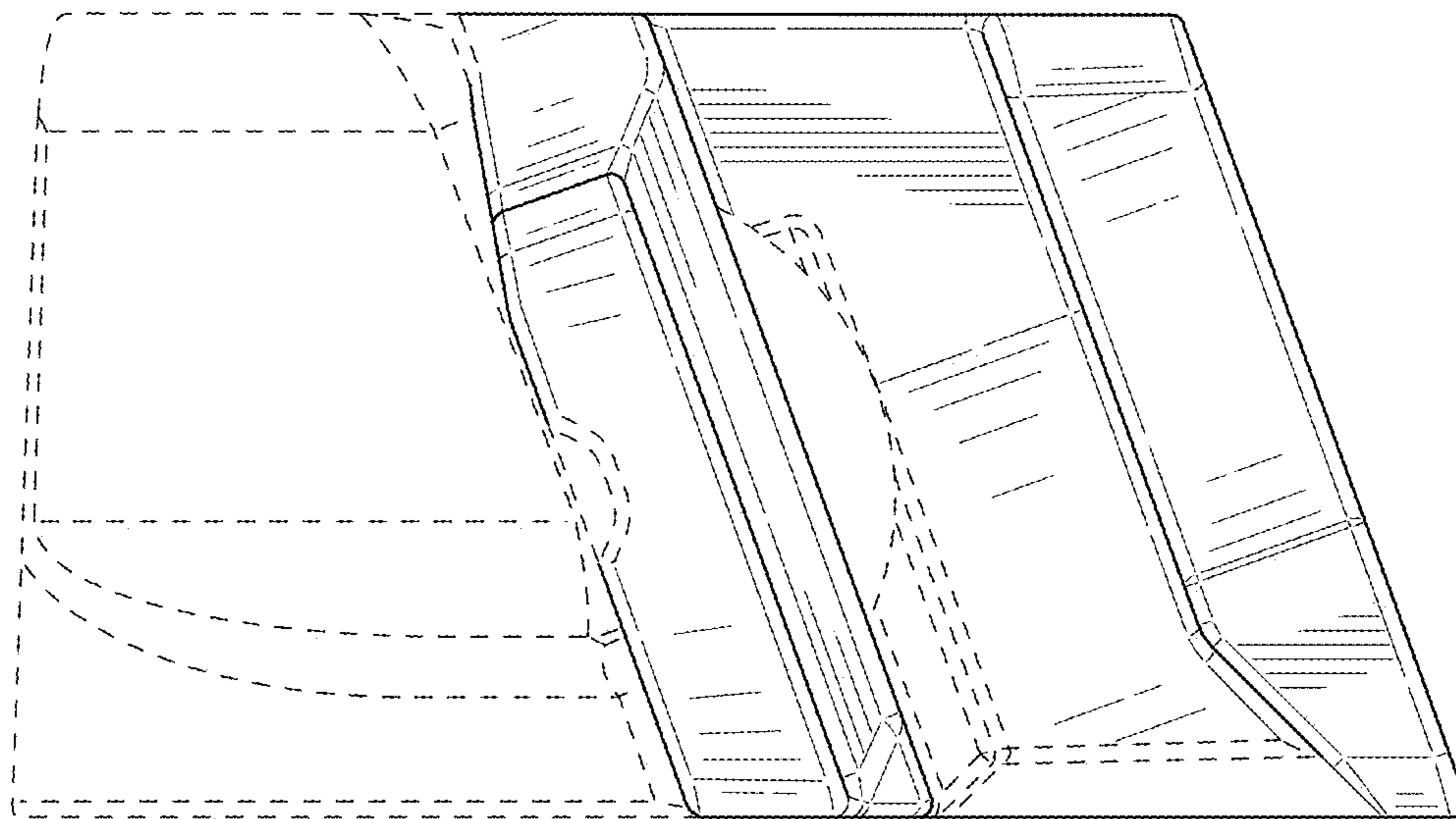


FIG. 6



**FIG. 7**



**FIG. 8**