



US00D909414S

(12) **United States Design Patent** (10) **Patent No.:** **US D909,414 S**
Hillman et al. (45) **Date of Patent:** **** Feb. 2, 2021**

(54) **DIFFERENTIAL**

(71) Applicant: **Eaton Intelligent Power Limited**,
Dublin (IE)

(72) Inventors: **Chad Hillman**, Ceresco, MI (US);
Mark Shewchuck, Charlotte, MI (US);
Todd Coulter, Oxford, MI (US)

(73) Assignee: **Eaton Intelligent Power Limited**,
Dublin (IE)

(**) Term: **15 Years**

(21) Appl. No.: **29/690,737**

(22) Filed: **May 10, 2019**

(51) **LOC (13) Cl.** **15-01**

(52) **U.S. Cl.**
USPC **D15/5**

(58) **Field of Classification Search**
USPC D15/1-6, 9, 7, 148, 149
CPC F16H 48/00; F16H 48/38; F16H 2048/382;
F16H 48/40; F16H 2048/387; F16H
48/22; F16H 48/08; F16H 48/32
See application file for complete search history.

(56) **References Cited**

U.S. PATENT DOCUMENTS

- 3,326,064 A * 6/1967 Ordorica, Jr. F16H 48/08
475/235
- 3,331,262 A * 7/1967 Mazziotti F16H 48/22
475/235
- 6,354,978 B1 * 3/2002 Brackin F16H 48/08
475/234
- D816,121 S * 4/2018 Fox D15/5
- 2008/0242469 A1 * 10/2008 Jenski F16H 48/30
475/231
- 2015/0292611 A1 * 10/2015 Miyamoto F16H 48/24
475/84

- 2016/0153536 A1 * 6/2016 Fisher F16H 48/32
475/86
- 2018/0149252 A1 * 5/2018 Roberts F16H 48/27
- 2019/0143811 A1 * 5/2019 Edler F16H 48/32
475/86
- 2019/0226566 A1 * 7/2019 Hillman F16H 48/34
- 2020/0173530 A1 * 6/2020 Jin F16H 48/06

* cited by examiner

Primary Examiner — Ania Aman

(74) *Attorney, Agent, or Firm* — Dinsmore & Shohl LLP

(57) **CLAIM**

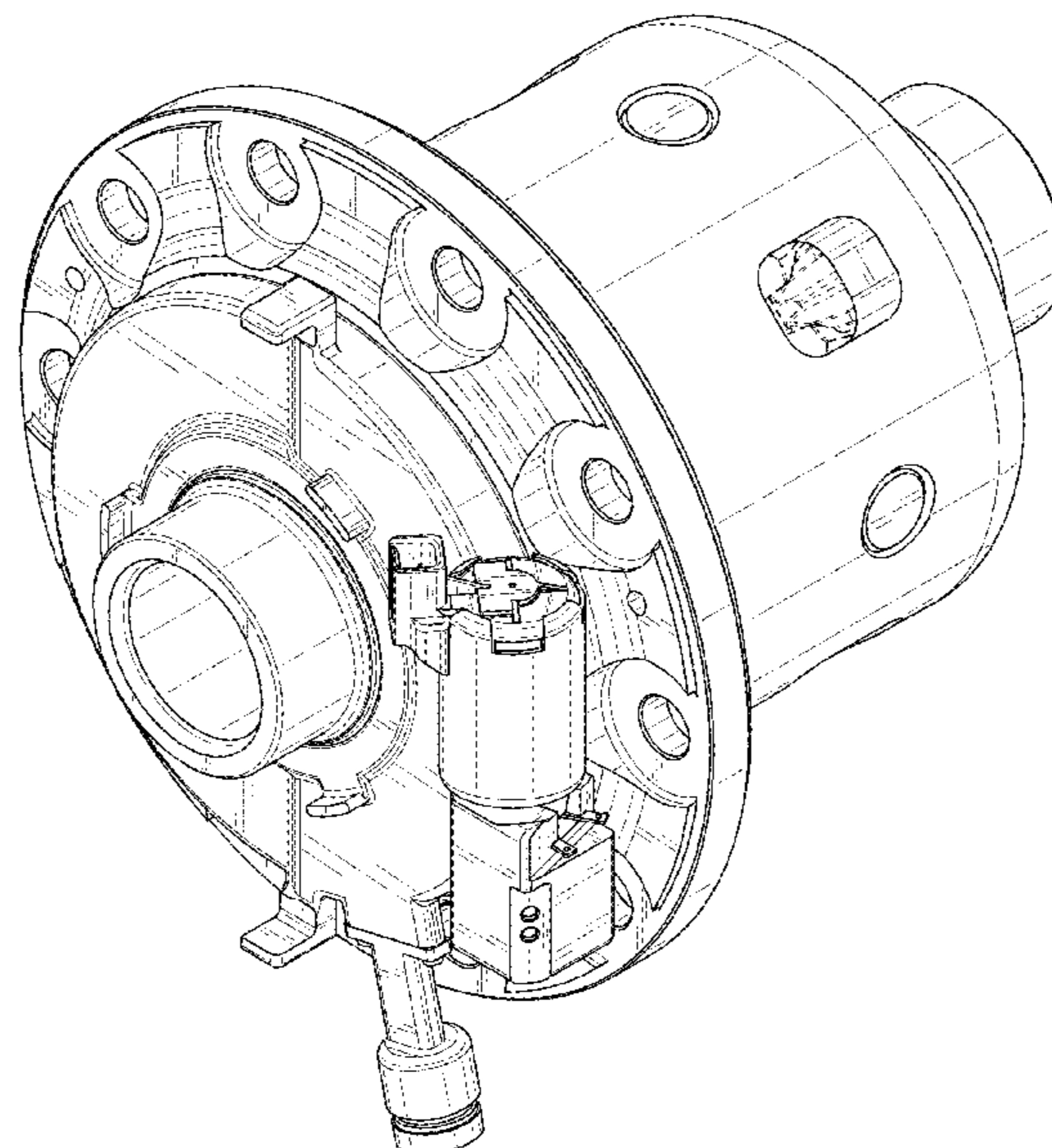
The ornamental design for a differential, as shown and described.

DESCRIPTION

FIG. 1 is a perspective view including a front, top, and right side of a differential;
 FIG. 2 is a perspective view including a front, bottom, and left side of a differential;
 FIG. 3 is a perspective view including a rear, top, and right side of a differential;
 FIG. 4 is a perspective view including a rear, bottom, and left side of a differential;
 FIG. 5 is a planar view of the front of the differential of FIG. 1;
 FIG. 6 is a planar view of a rear of the differential of FIG. 1;
 FIG. 7 is a planar view of a top of the differential of FIG. 1;
 FIG. 8 is a planar view of a bottom of the differential of FIG. 1;
 FIG. 9 is a planar view of a right side of the differential of FIG. 1; and,
 FIG. 10 is a planar view of a left side of the differential of FIG. 1.

The broken lines shown are for displaying the environment in which the design is associated and form no part of the claimed design.

1 Claim, 10 Drawing Sheets



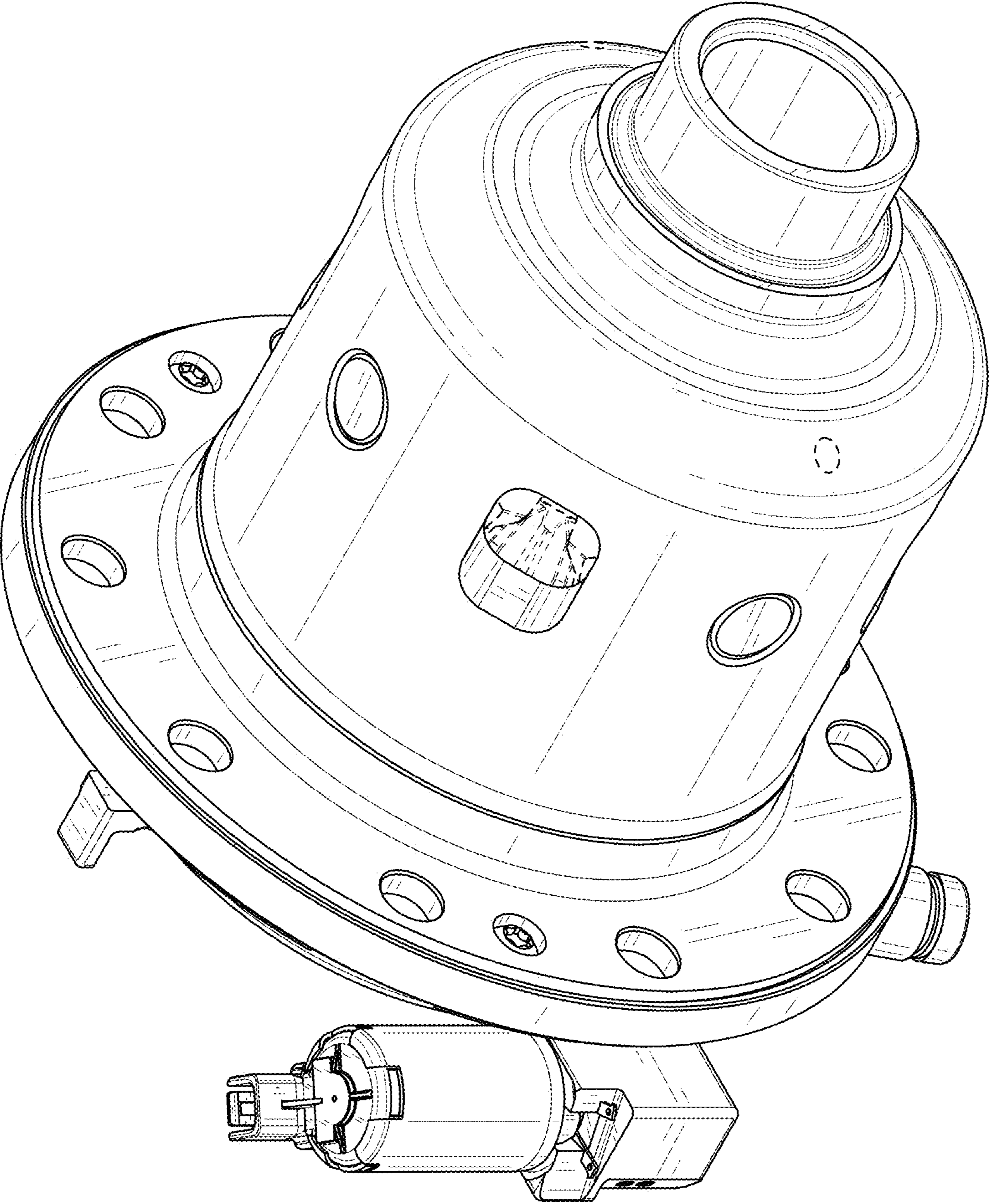


FIG. 1

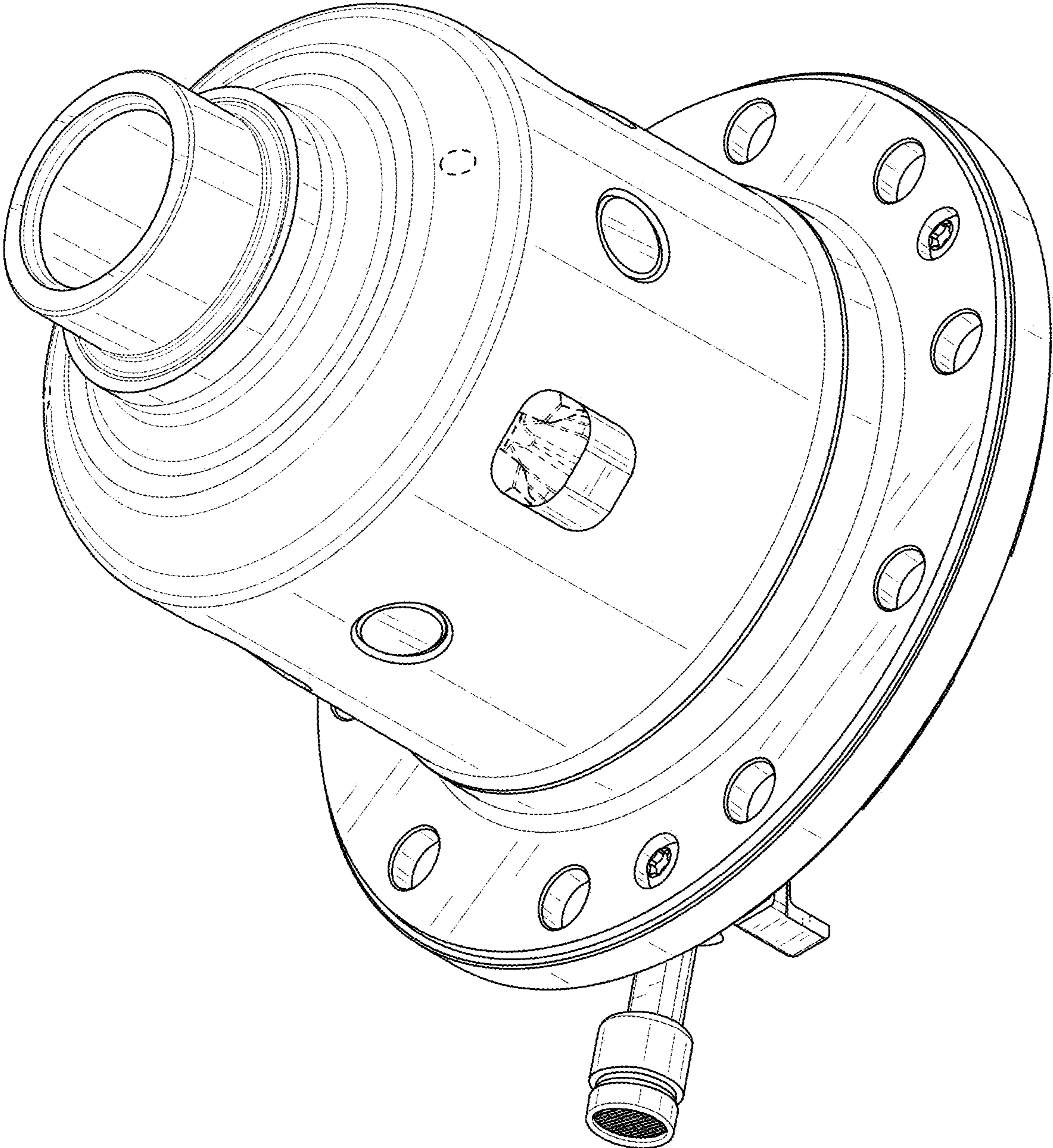


FIG. 2

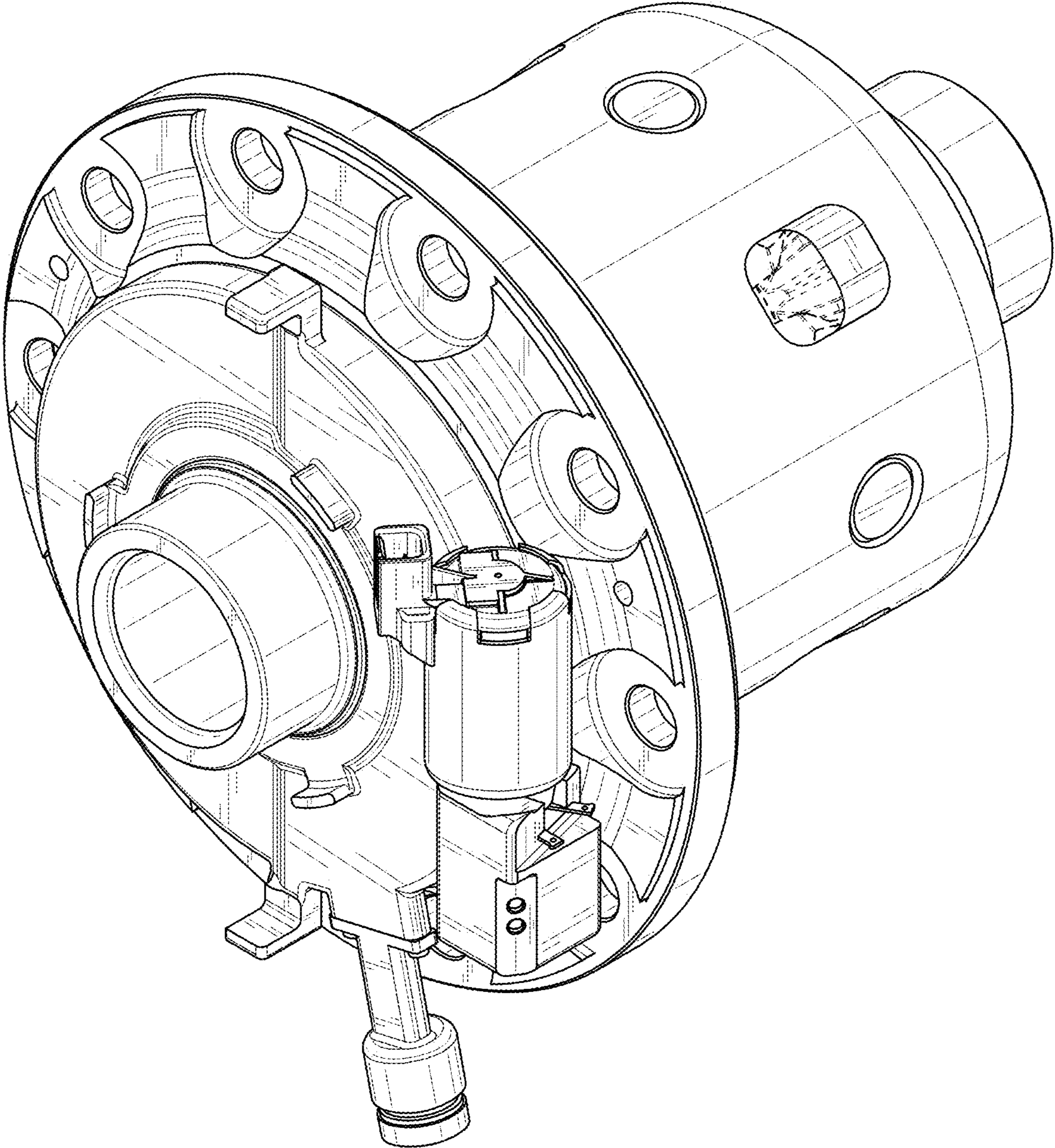


FIG. 3

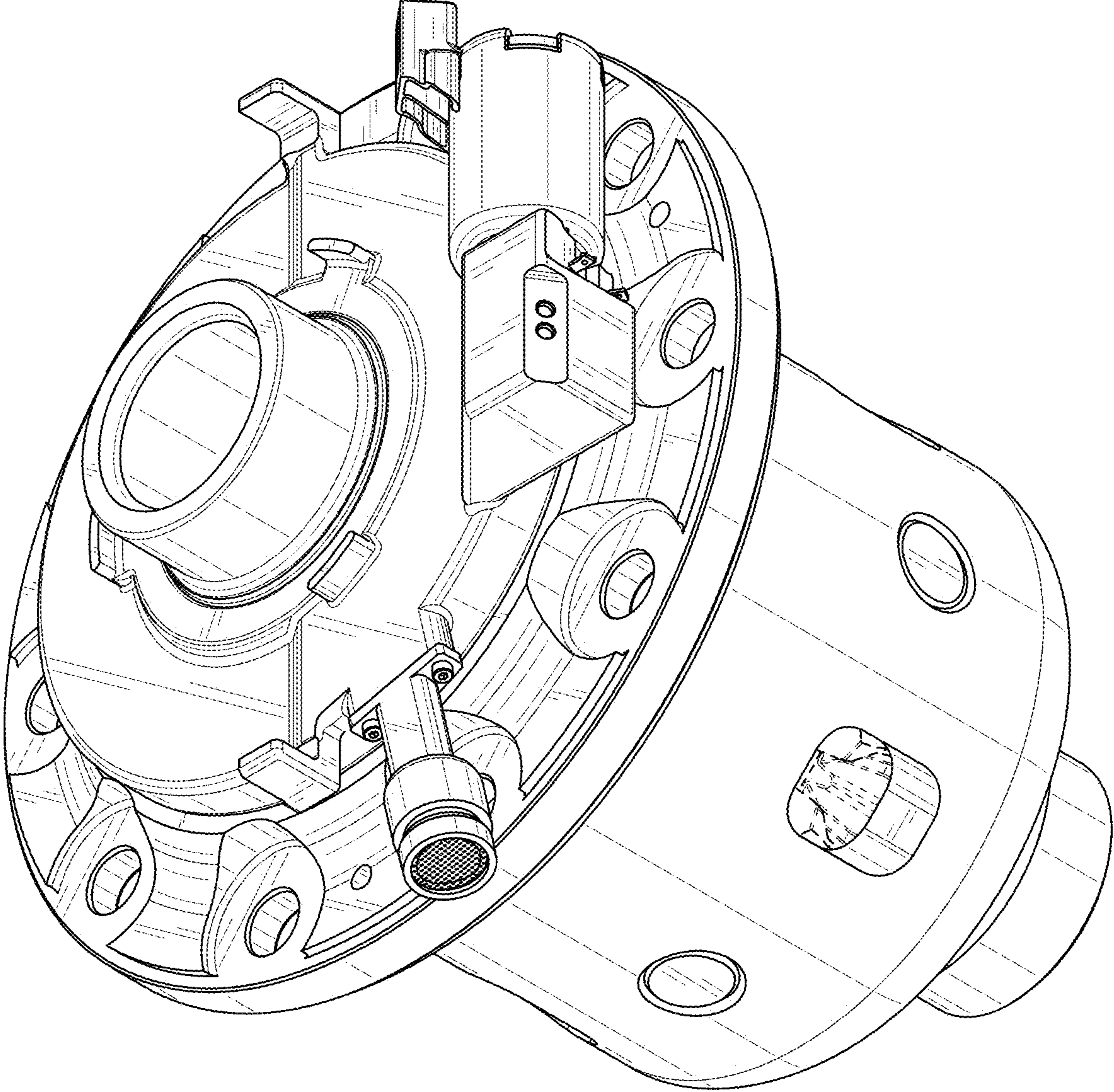


FIG. 4

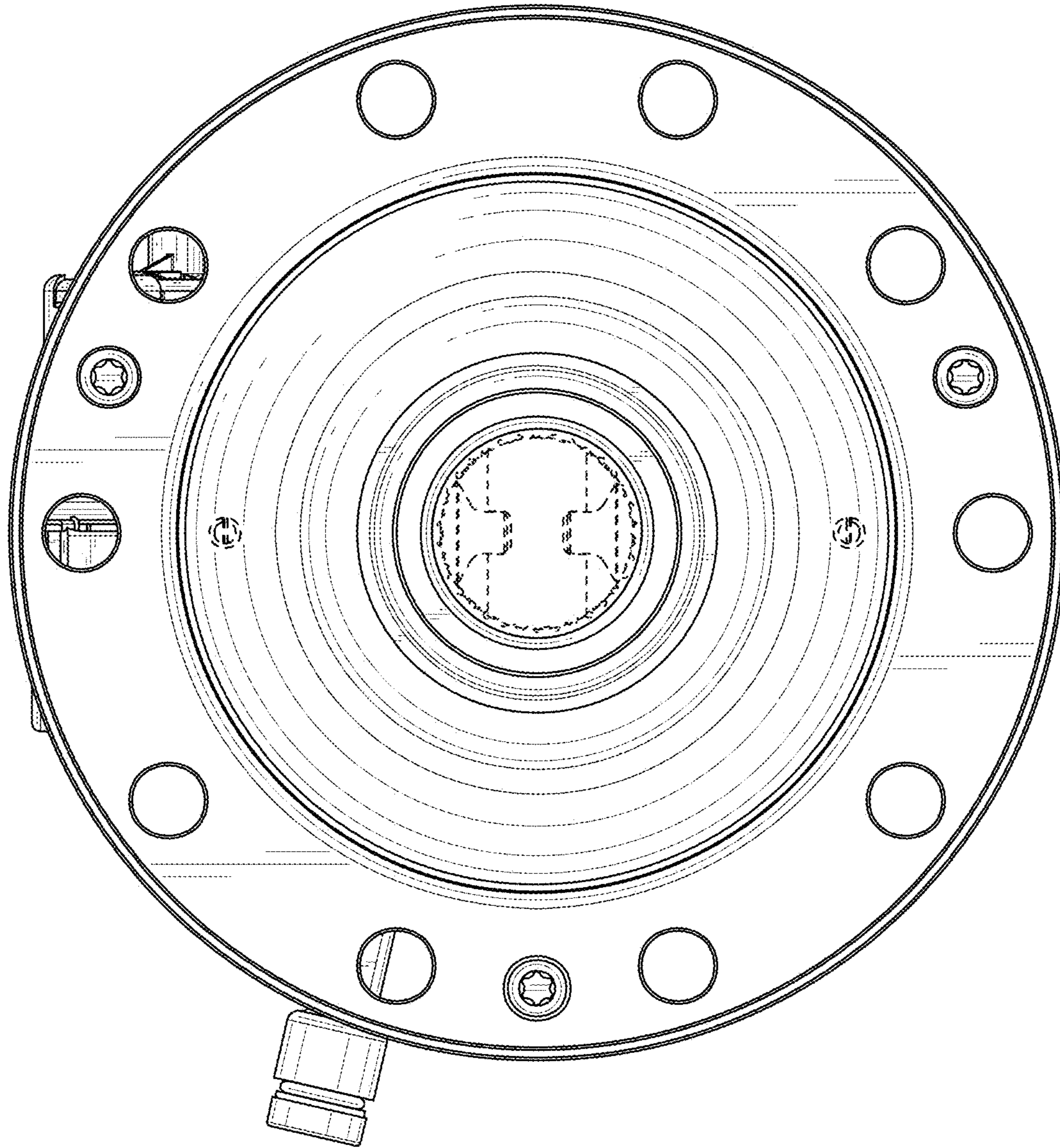


FIG. 5

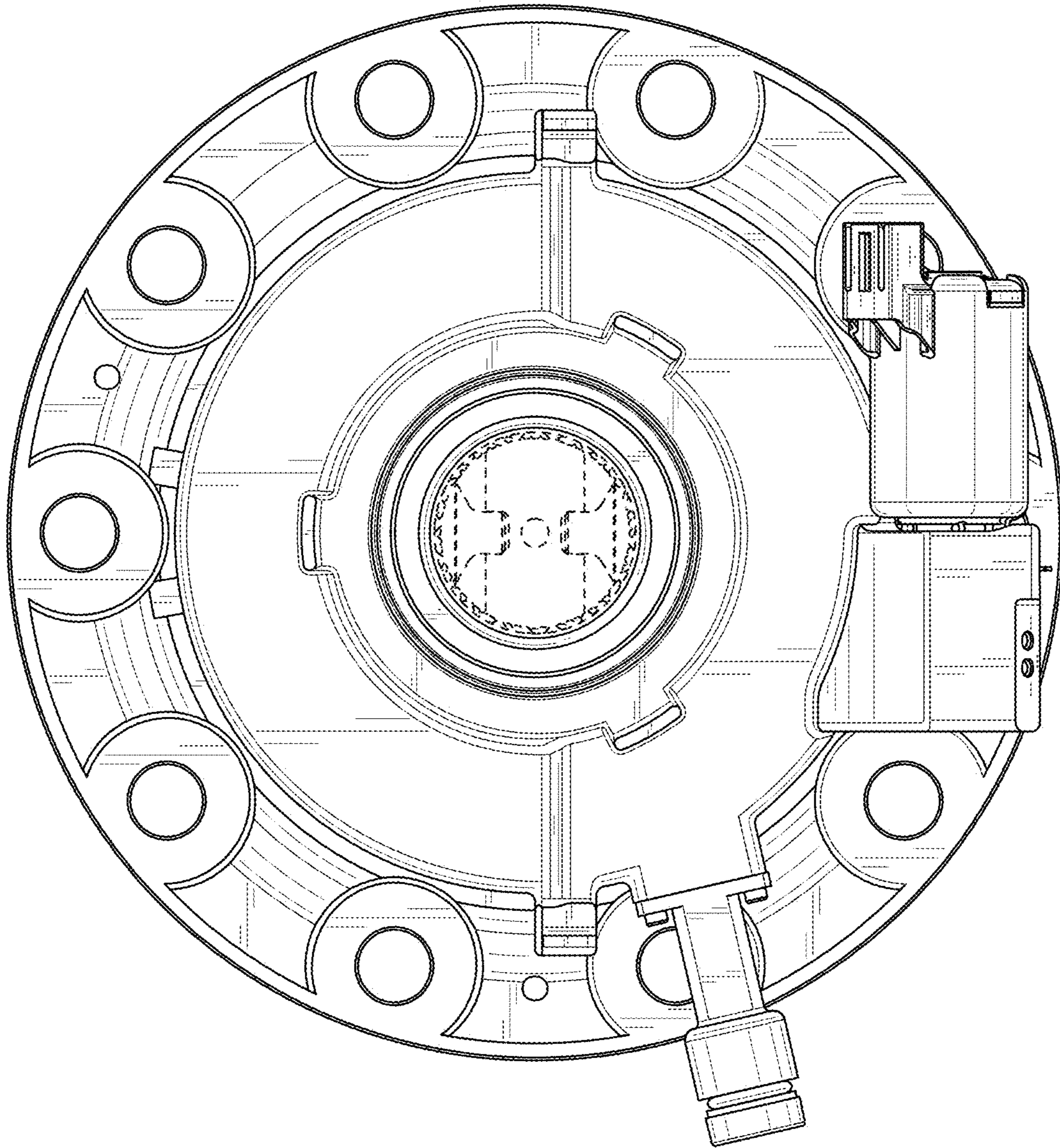


FIG. 6

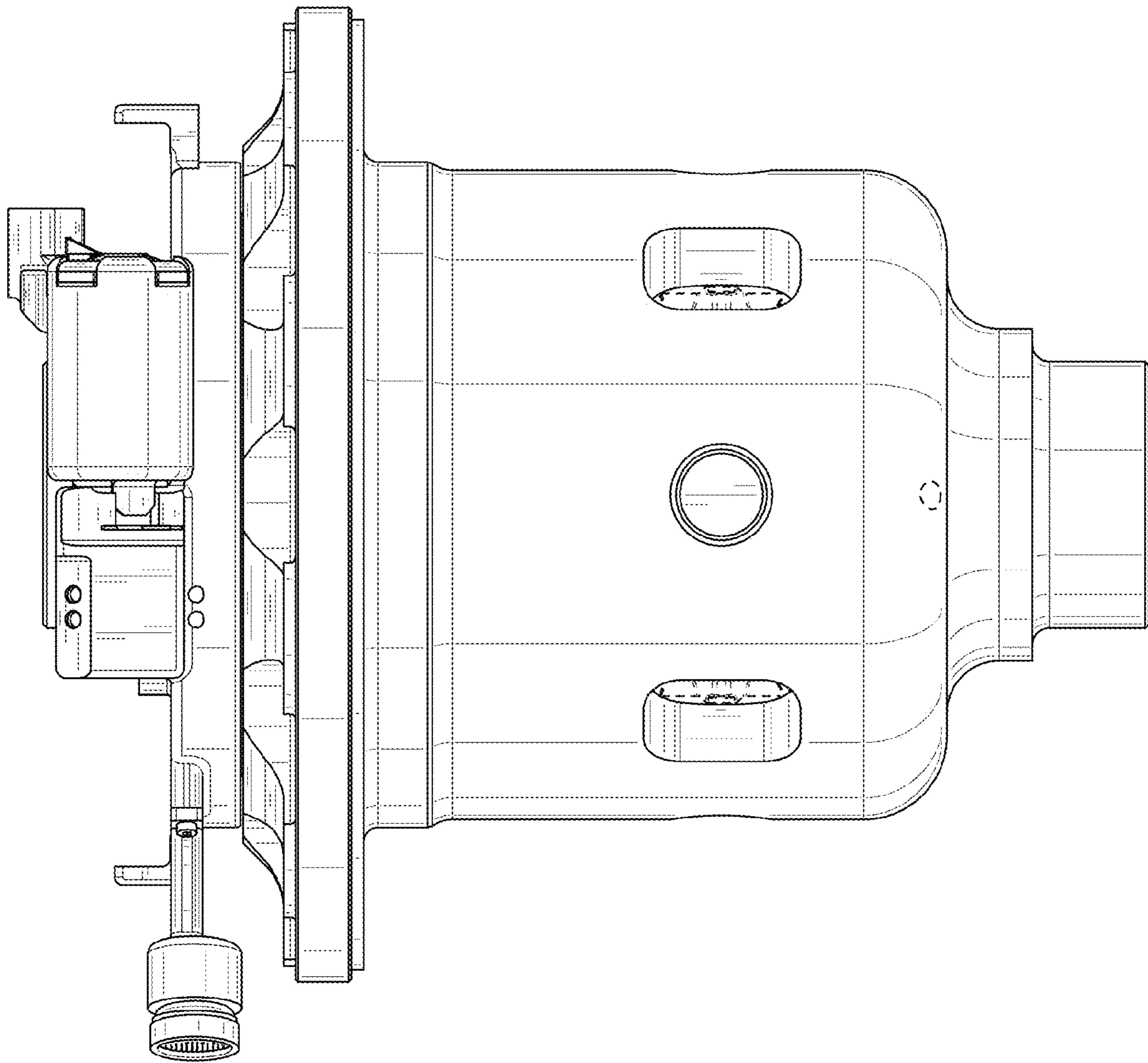


FIG. 7

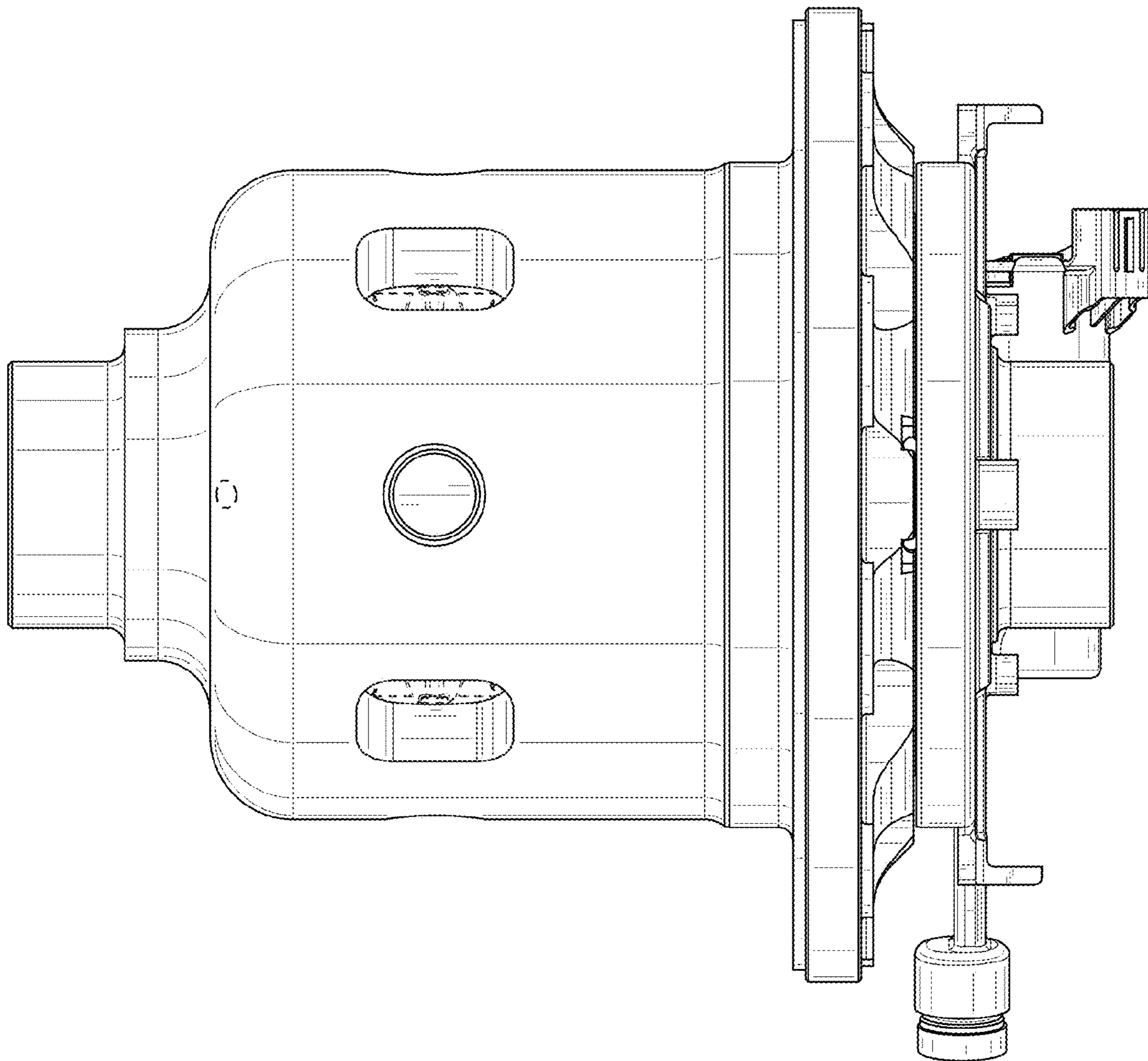


FIG. 8

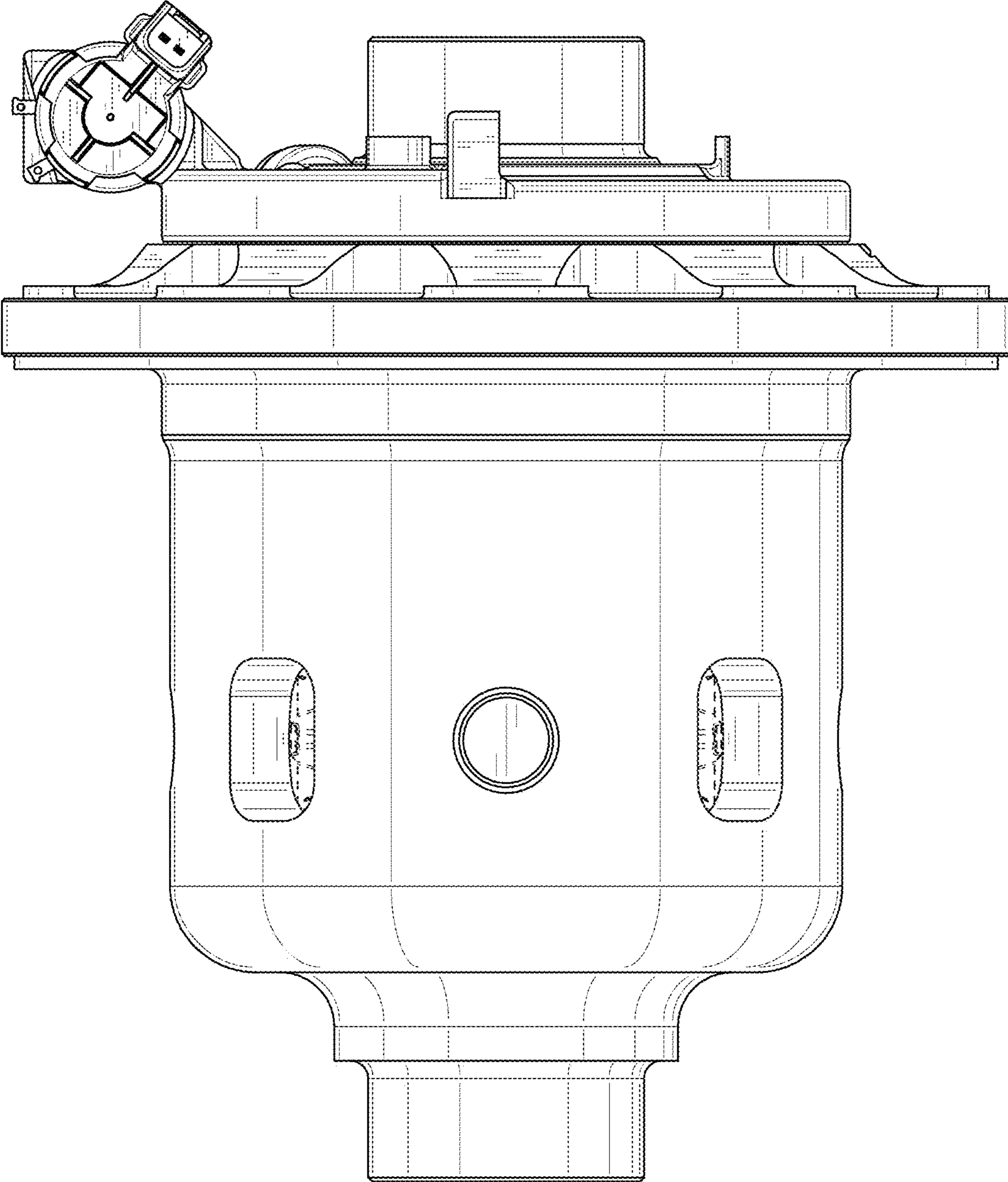


FIG. 9

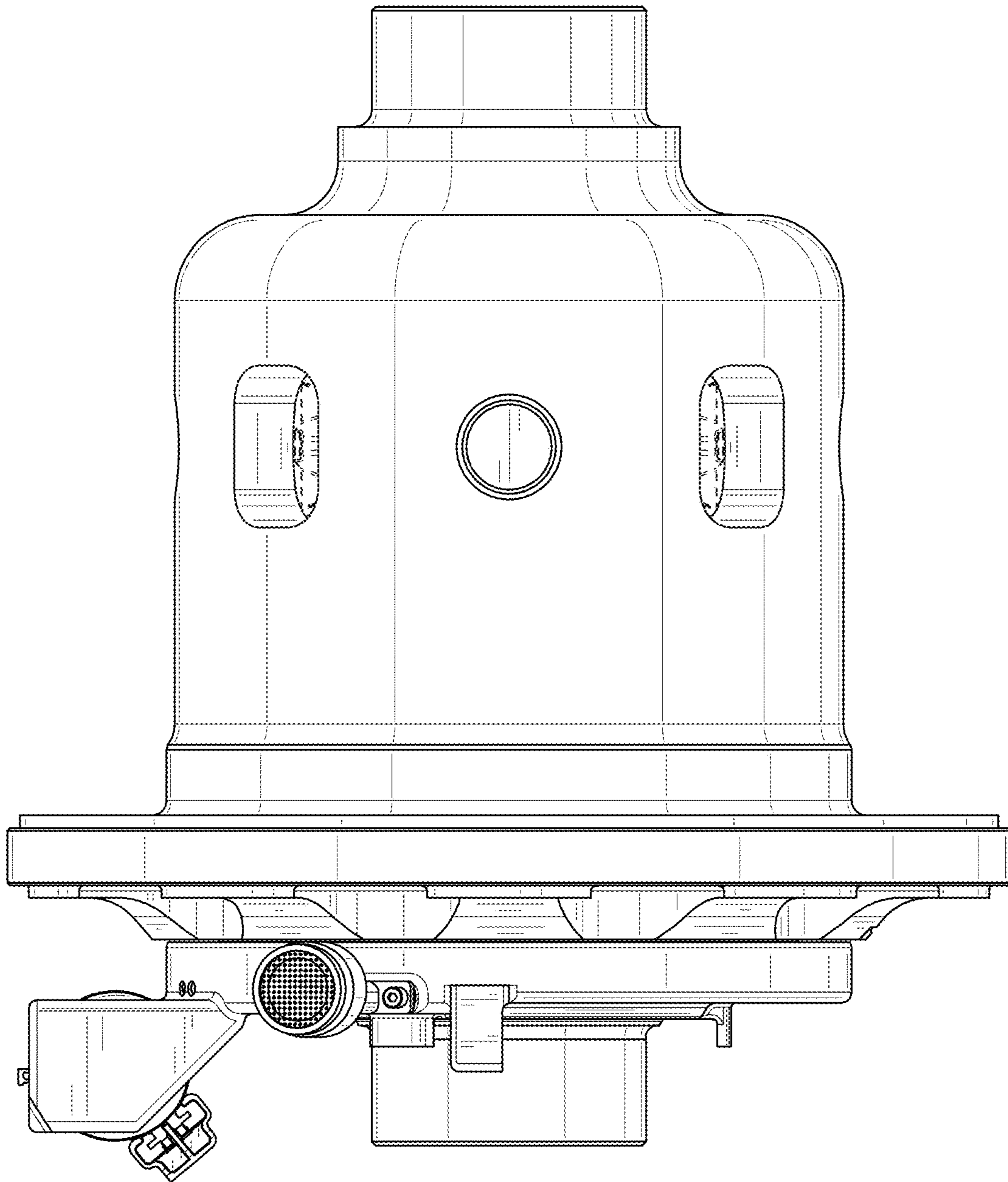


FIG. 10