



US00D909395S

(12) **United States Design Patent** (10) **Patent No.:** **US D909,395 S**
Knapp et al. (45) **Date of Patent:** **** Feb. 2, 2021**

(54) **DISPLAY MOUNT**

FOREIGN PATENT DOCUMENTS

(71) Applicant: **CKnapp Sales, Inc.**, Goodfield, IL (US)

CN 300951938 * 7/2009

(72) Inventors: **Chance Knapp**, Goodfield, IL (US); **Micah Fehr**, Danvers, IL (US)

OTHER PUBLICATIONS

Amazon. Link: https://www.amazon.com/dp/B07G2RQGJP/ref=cm_sw_r_tw_dp_U_x_rZM8DbYS7Q6E6. Jul. 31, 2018. VIVO Black Tall Free Standing Single Monitor Mount Desk Stand. (Year: 2018).*

(73) Assignee: **CKnapp Sales, Inc.**, Goodfield, IL (US)

Primary Examiner — Lauren D McVey

(**) Term: **15 Years**

(74) *Attorney, Agent, or Firm* — Hanley, Flight and Zimmerman, LLC

(21) Appl. No.: **29/668,419**

(57) **CLAIM**

(22) Filed: **Oct. 30, 2018**

The ornamental design for a “display mount”, substantially as shown and described.

(51) **LOC (13) Cl.** **14-02**

DESCRIPTION

(52) **U.S. Cl.**

USPC **D14/452**

(58) **Field of Classification Search**

USPC D14/447–452, 336, 341, 371, 373, 374, D14/375, 376, 377, 126, 127, 128, 129, D14/239

CPC F16M 11/105; F16M 11/10; F16M 11/048; F16M 11/12; F16M 13/022

See application file for complete search history.

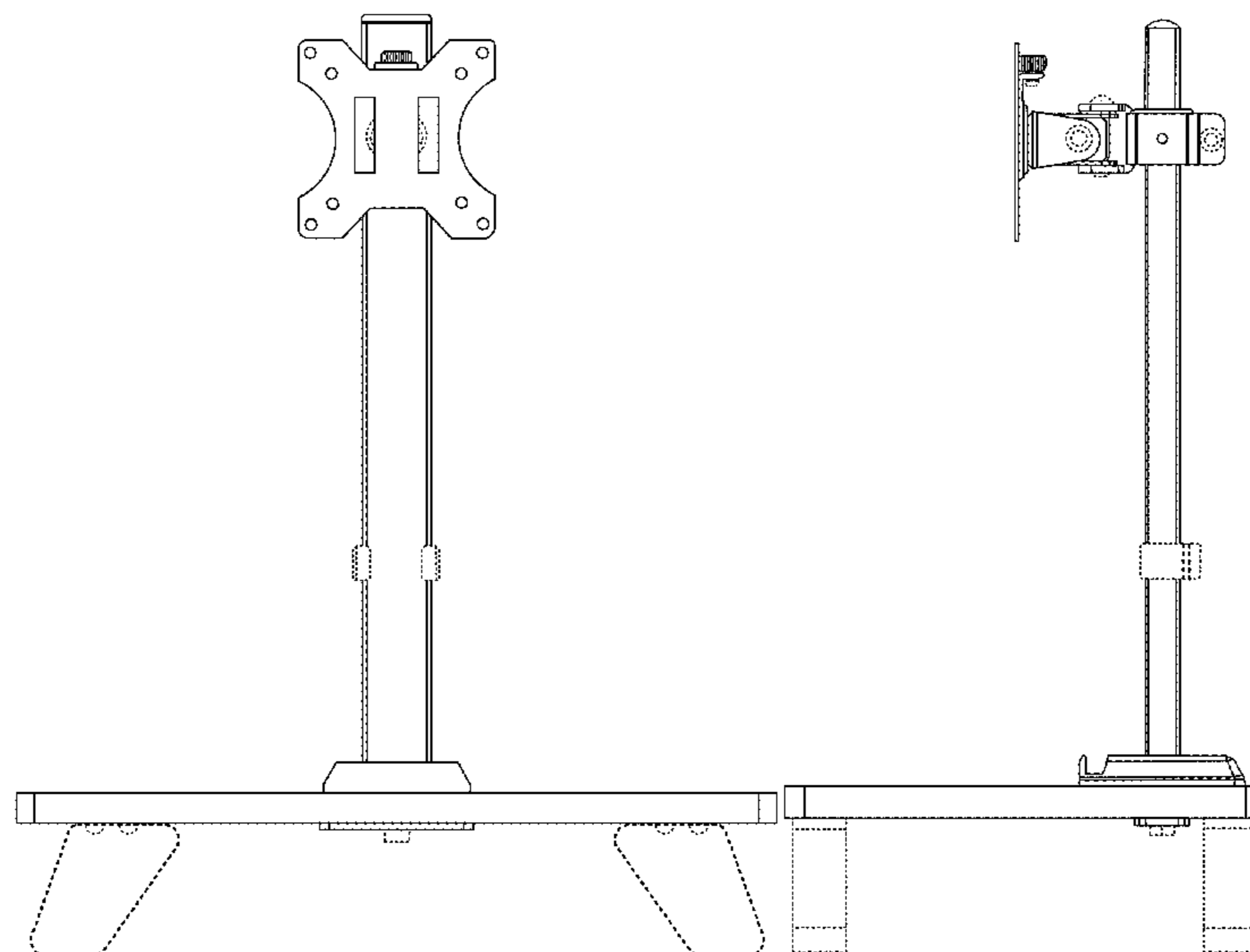
(56) **References Cited**

U.S. PATENT DOCUMENTS

D517,549 S *	3/2006	Depay	D14/375
D601,146 S *	9/2009	Chueh	D14/375
D787,237 S *	5/2017	Bowman	D6/656.15
D805,523 S *	12/2017	Bowman	D14/452
D836,091 S *	12/2018	Shu	D14/239
10,285,497 B1 *	5/2019	Chen	A47B 21/0314
D853,403 S *	7/2019	Lyu	D14/451
D853,404 S *	7/2019	Bowman	D14/452
D854,861 S *	7/2019	Lee	D6/656
2007/0217134 A1 *	9/2007	Shin	F16M 11/105 361/679.07

(Continued)

1 Claim, 8 Drawing Sheets



(56)

References Cited

U.S. PATENT DOCUMENTS

2009/0167634 A1* 7/2009 Han G06F 1/1601
345/1.3
2009/0184224 A1* 7/2009 Gan F16M 11/105
248/283.1
2015/0159804 A1* 6/2015 Bowman F16M 11/045
248/122.1

* cited by examiner

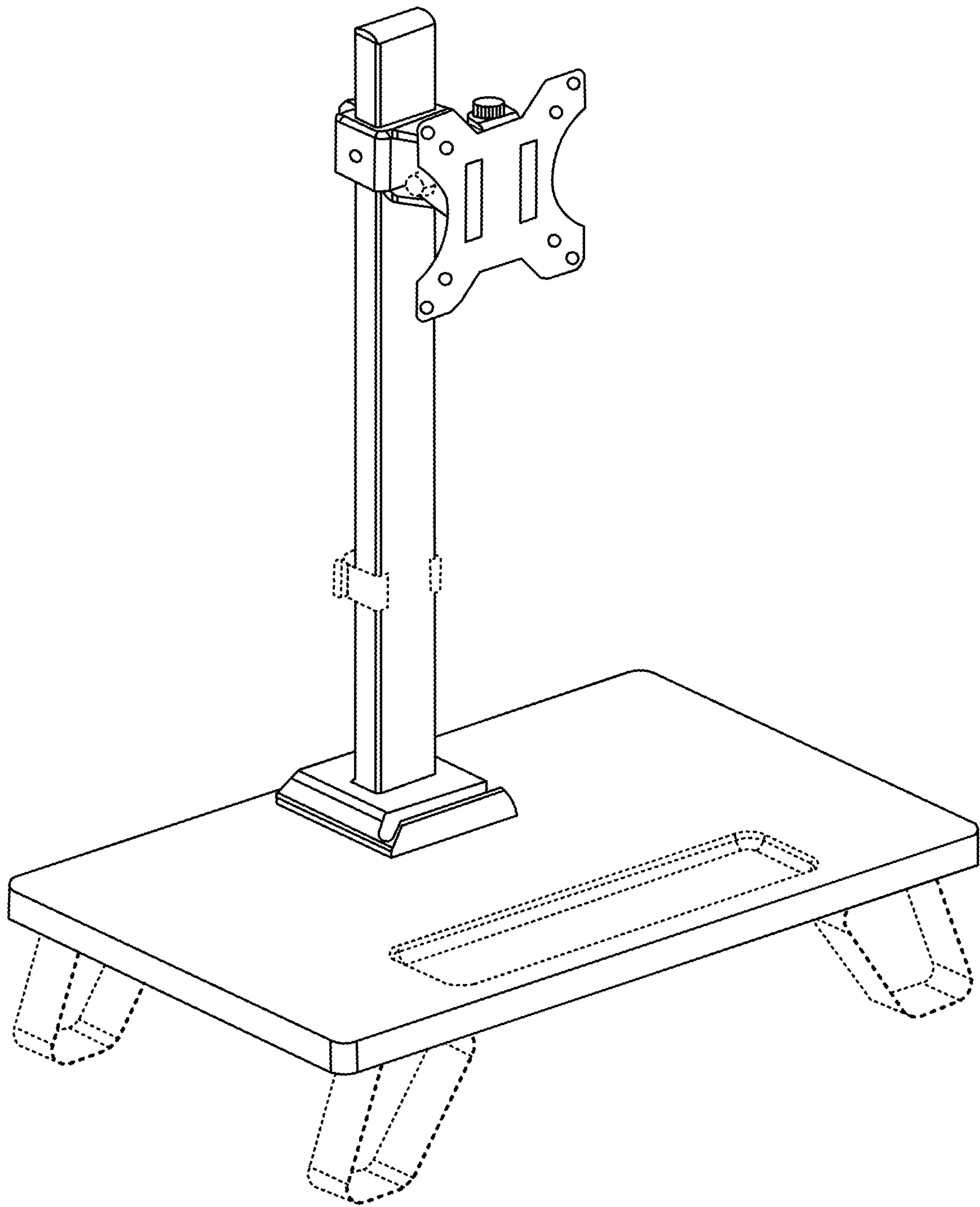


FIG. 1

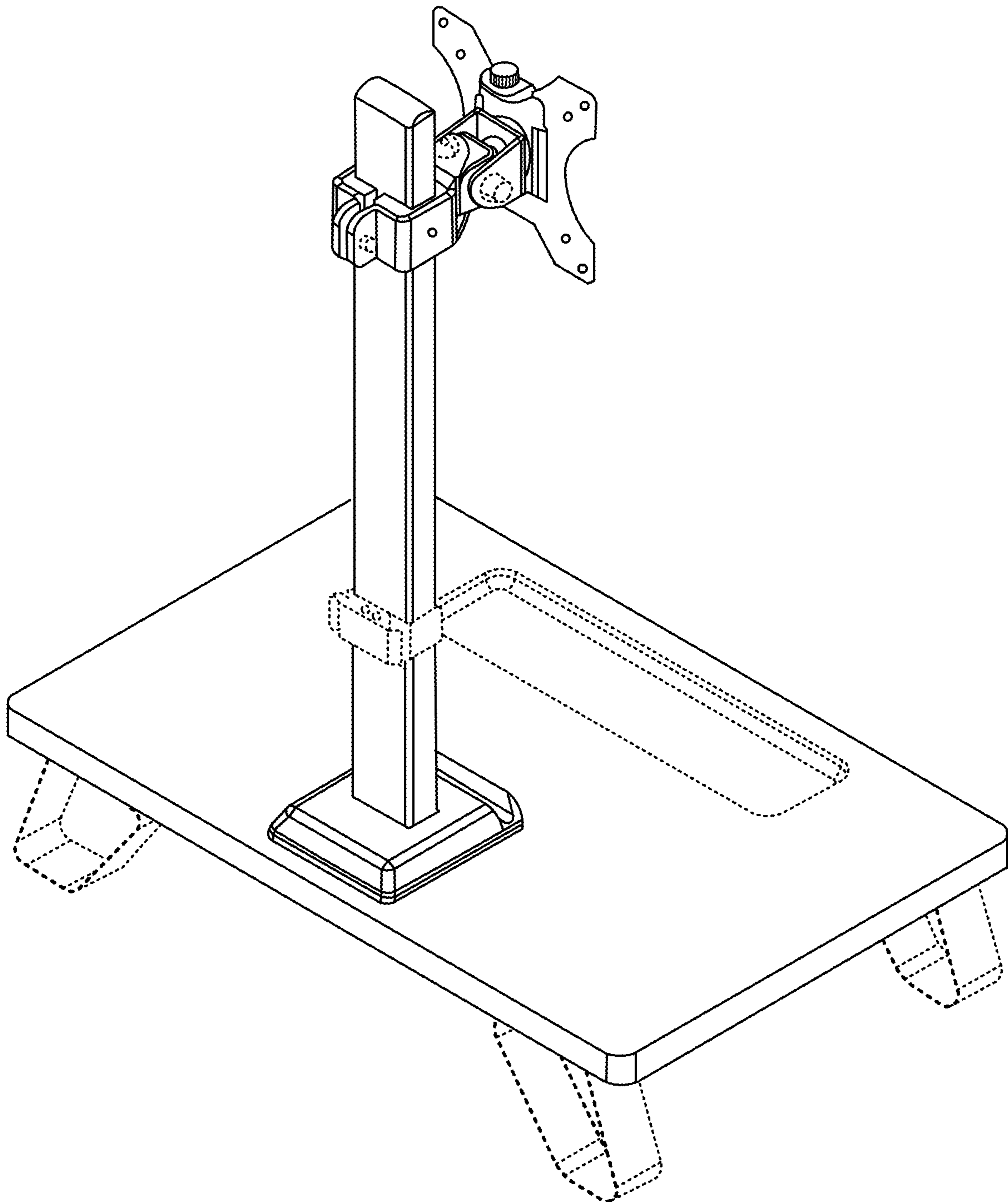


FIG. 2

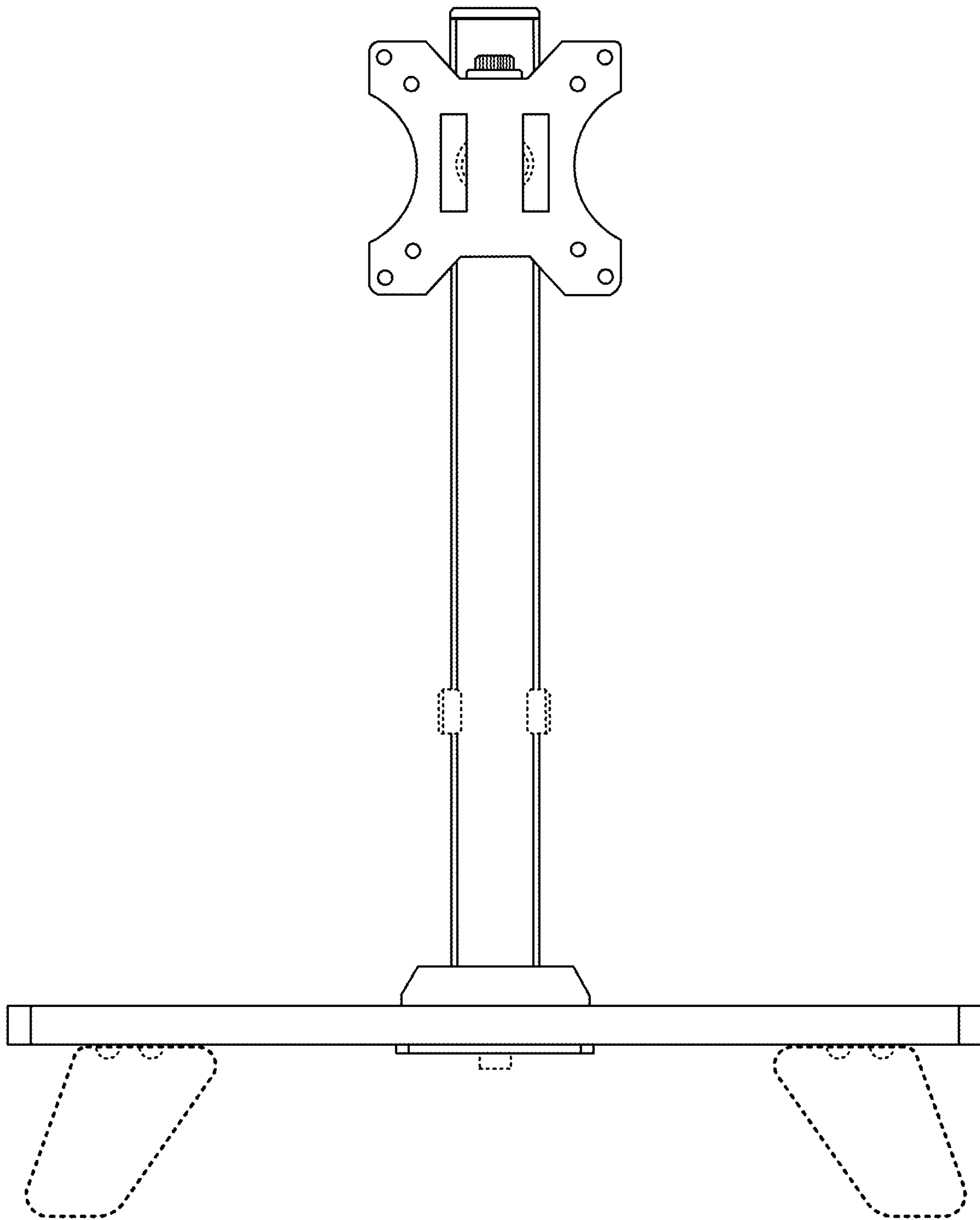


FIG. 3

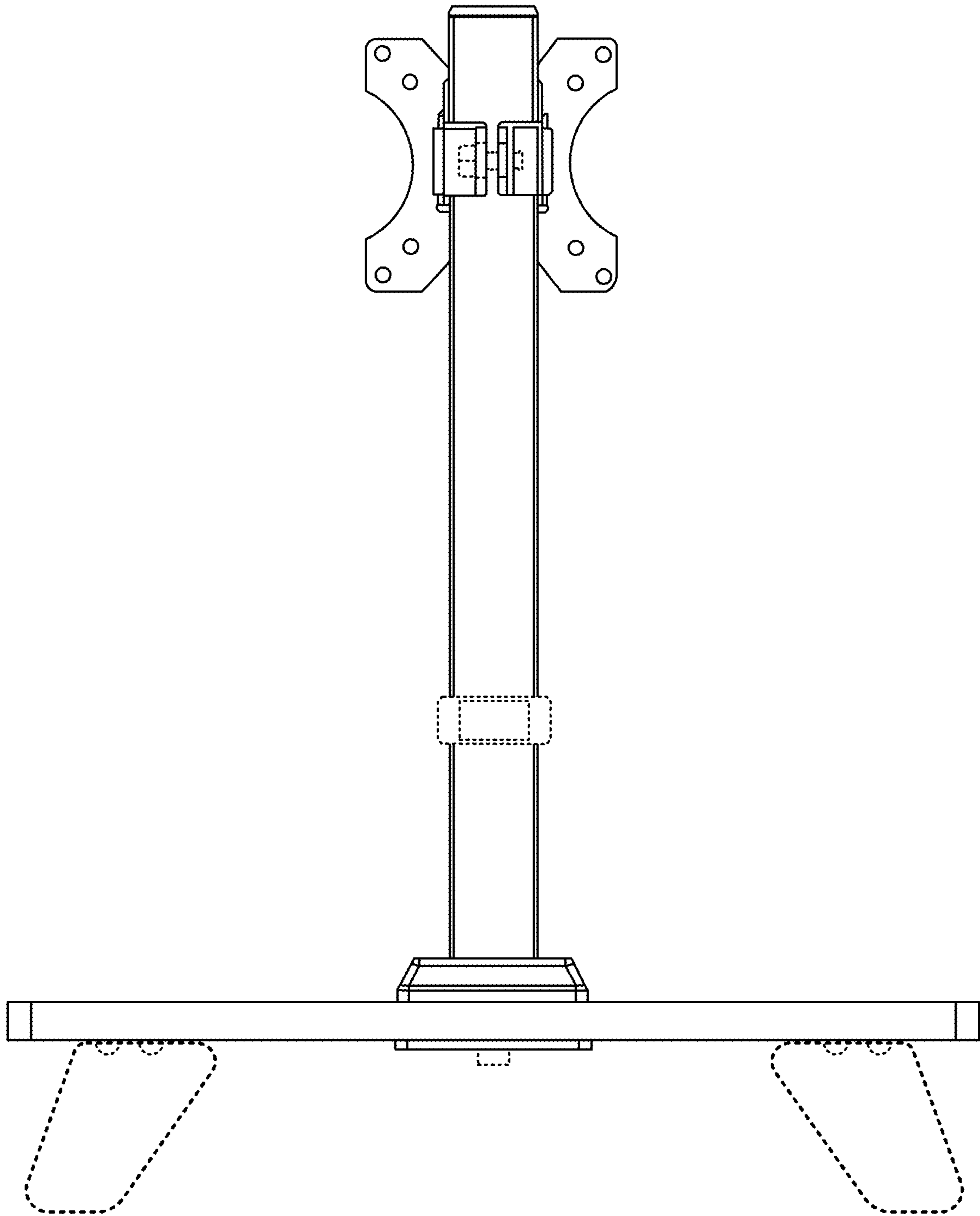


FIG. 4

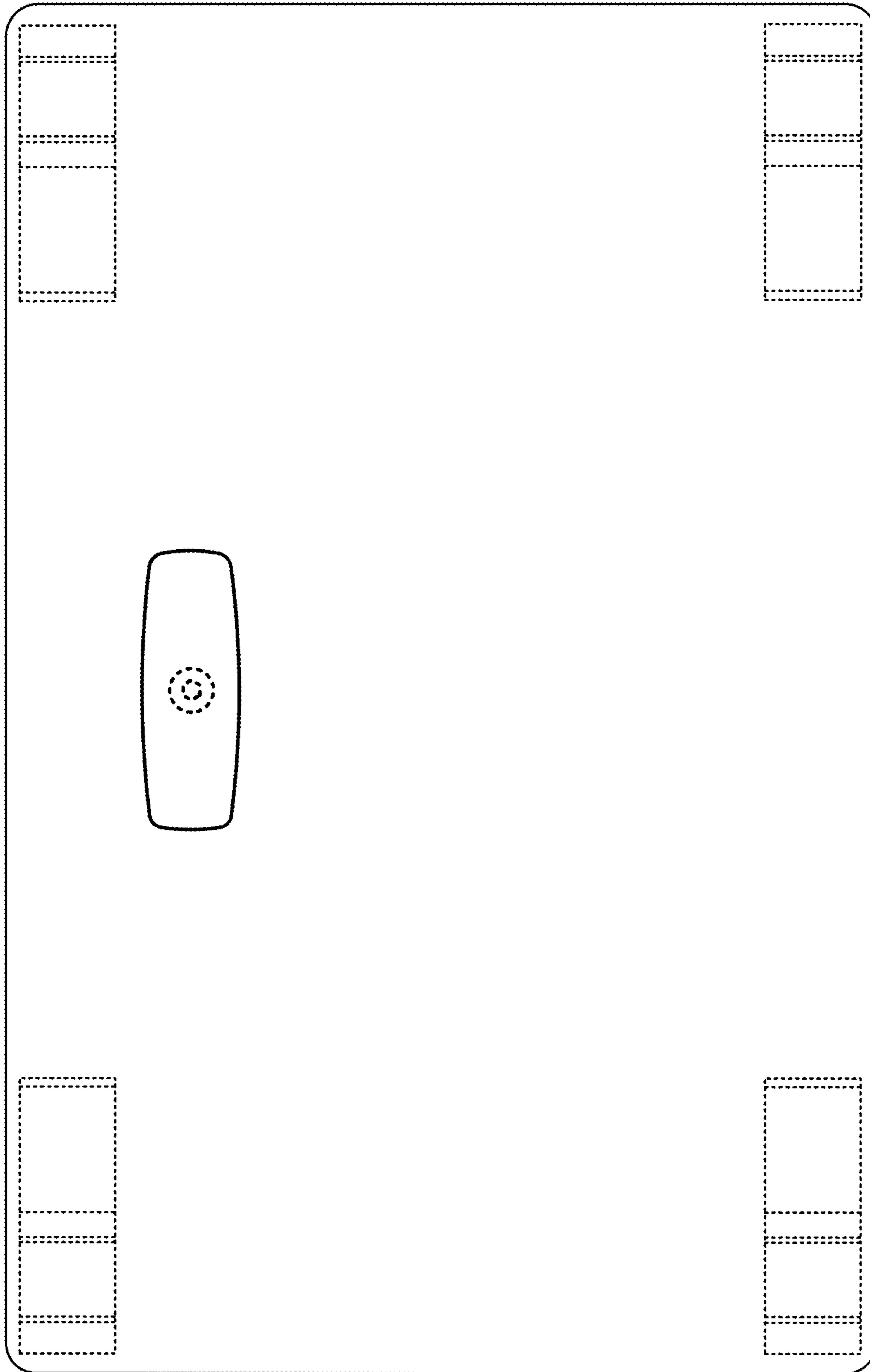


FIG. 5

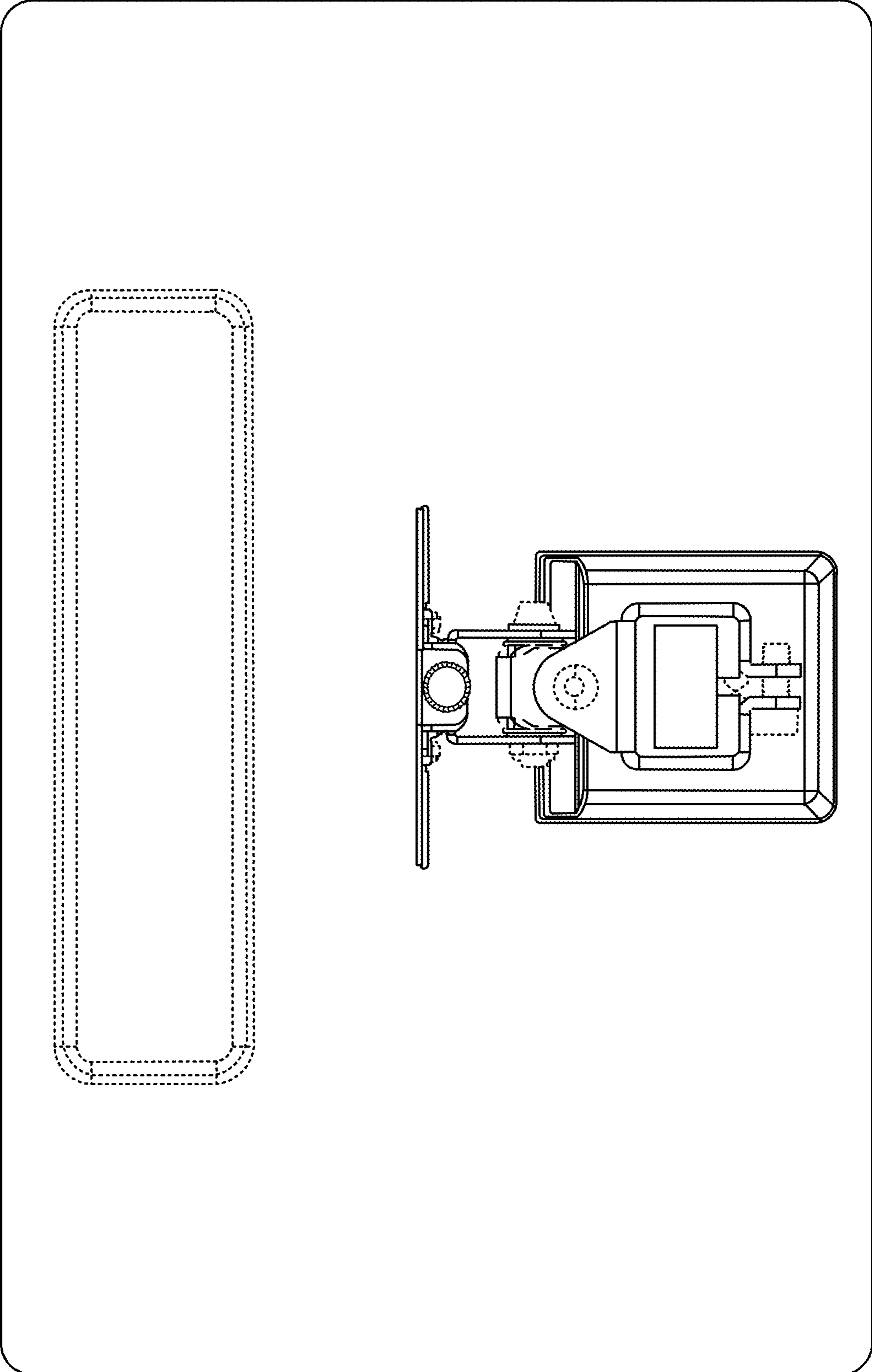


FIG. 6

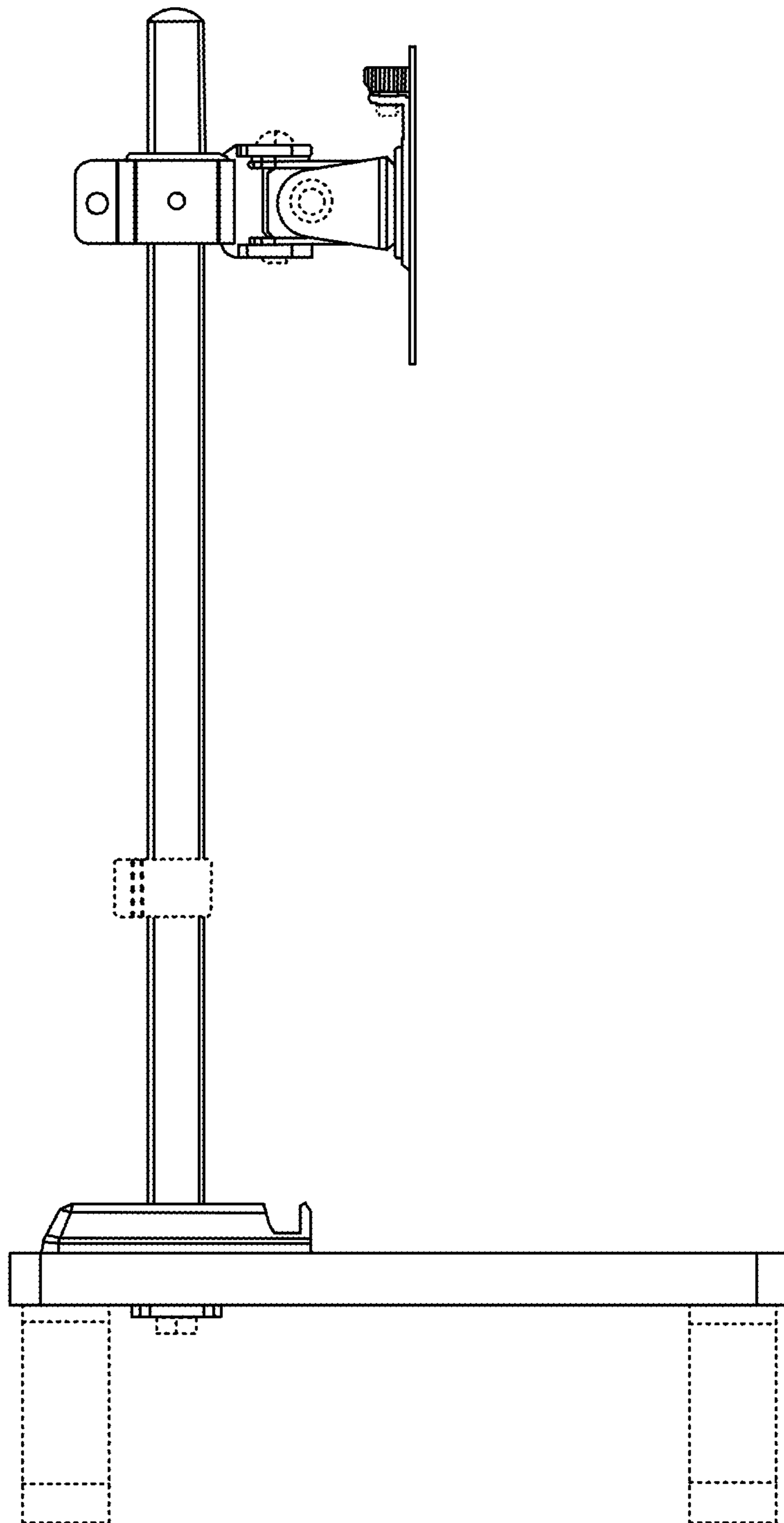


FIG. 7

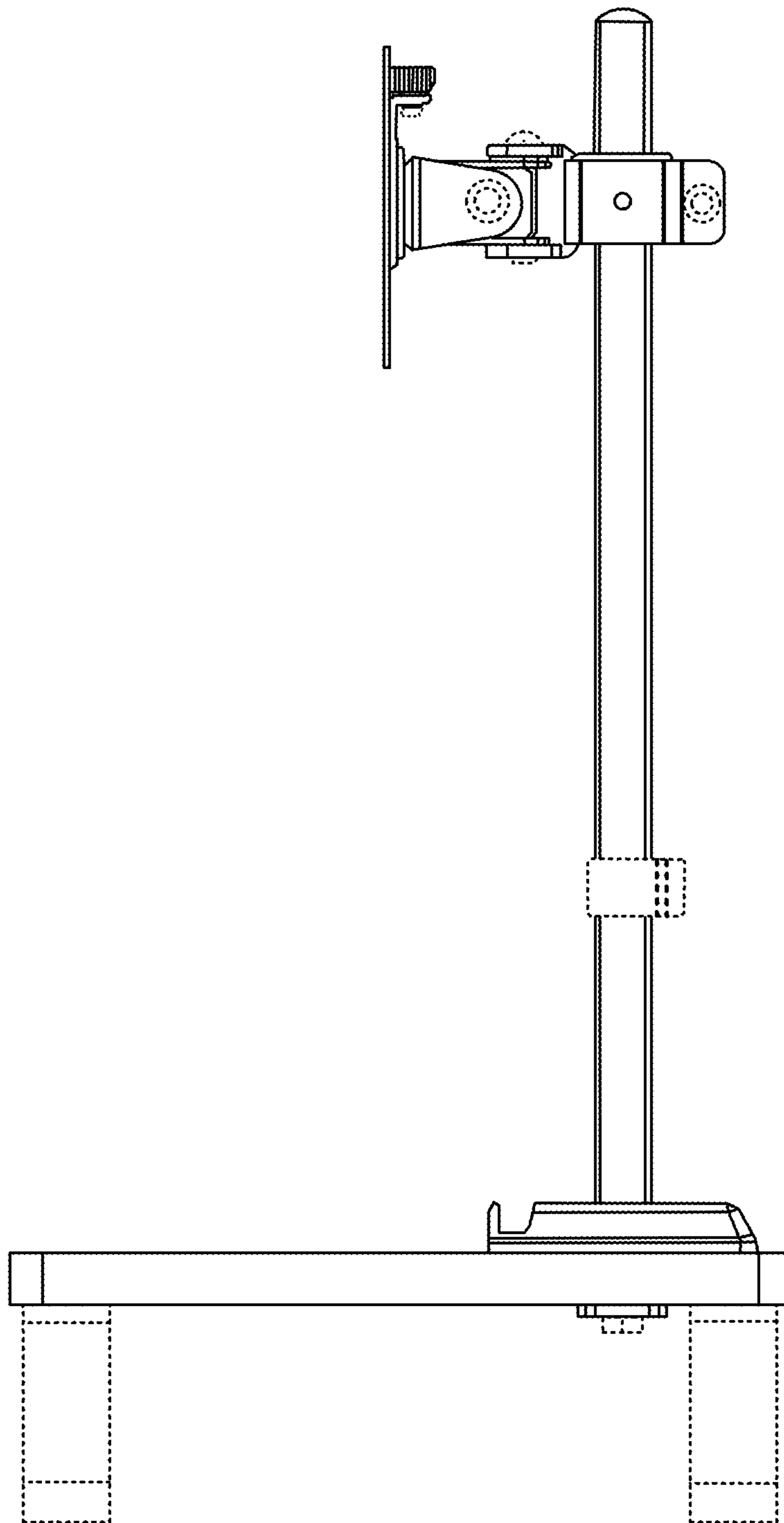


FIG. 8