



US00D909393S

(12) **United States Design Patent**
Benett et al.

(10) **Patent No.:** **US D909,393 S**

(45) **Date of Patent:** **** Feb. 2, 2021**

(54) **MOBILE DEVICE STAND**

(74) *Attorney, Agent, or Firm* — Hanley Flight & Zimmerman LLC

(71) Applicant: **Hewlett-Packard Development Company, L.P.**, Spring, TX (US)

(57) **CLAIM**

(72) Inventors: **Brigitte Benett**, Spring, TX (US); **Elan Leor**, Spring, TX (US); **Asaf Amran**, Spring, TX (US)

The ornamental design for “mobile device stand”, as shown and described.

(73) Assignee: **Hewlett-Packard Development Company, L.P.**, Spring, TX (US)

DESCRIPTION

(**) Term: **15 Years**

(21) Appl. No.: **29/676,704**

(22) Filed: **Jan. 14, 2019**

(51) **LOC (13) Cl.** **08-07**

(52) **U.S. Cl.**
USPC **D14/447**

(58) **Field of Classification Search**
USPC D14/447, 432, 434, 439, 440, 451, 452, D14/457, 239, 253; D8/363, 373, 380; D6/406.3, 406.4, 406.5, 406.6; D12/415
CPC A47B 21/04; A47B 2097/006; A47B 2097/005; A47B 2023/049; A45C 2011/002; A45C 2011/003; F16M 2200/00; F16M 13/00

See application file for complete search history.

FIG. 1 is a right, front perspective view of a mobile device stand showing an unclaimed mobile device for environment. FIG. 2 is a right, front perspective view of a mobile device stand of FIG. 1. FIG. 3 is a rear view of the mobile device stand of FIG. 1. FIG. 4 is a front view of the mobile device stand of FIG. 1. FIG. 5 is a left side view of the mobile device stand of FIG. 1. FIG. 6 is a right side view of the mobile device stand of FIG. 1. FIG. 7 is a top side view of the mobile device stand of FIG. 1. FIG. 8 is a bottom view of the mobile device stand of FIG. 1. FIG. 9 is a right, front perspective view of a mobile device stand. FIG. 10 is a rear view of the mobile device stand of FIG. 9. FIG. 11 is a front view of the mobile device stand of FIG. 9. FIG. 12 is a left side view of the mobile device stand of FIG. 9. FIG. 13 is a right side view of the mobile device stand of FIG. 9. FIG. 14 is a top side view of the mobile device stand of FIG. 9; and, FIG. 15 is a bottom view of the mobile device stand of FIG. 9. The features shown in broken lines form no part of the claimed design.

(56) **References Cited**

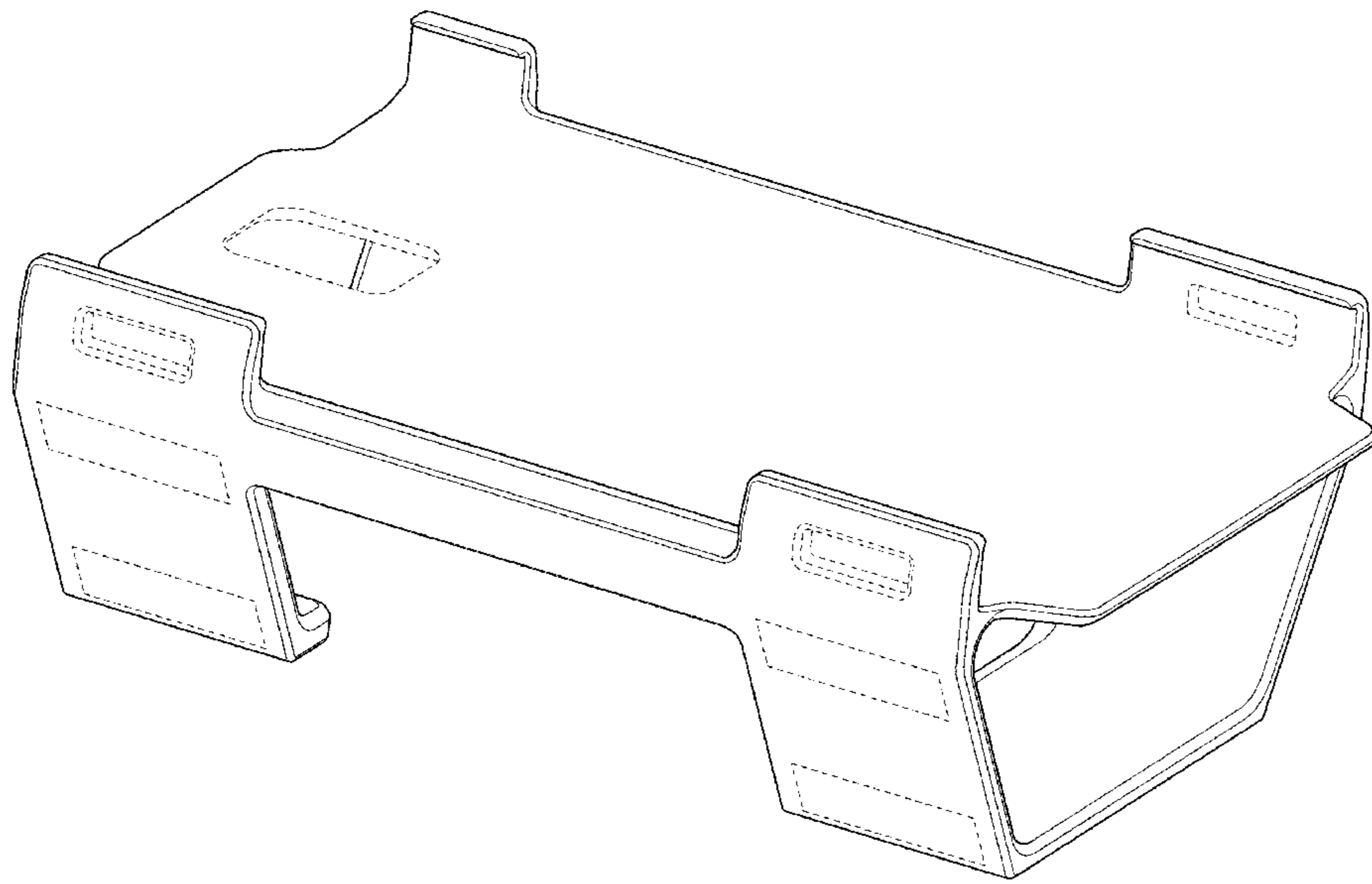
U.S. PATENT DOCUMENTS

D689,058 S *	9/2013	Waterman	D14/447
D696,672 S *	12/2013	Brittain	D14/447
D706,274 S *	6/2014	Shubin, Sr.	D14/447
D706,785 S *	6/2014	Brittain	D14/447
D745,014 S *	12/2015	Vales	D14/447
D753,126 S *	4/2016	Alesi	D14/447

(Continued)

Primary Examiner — Angela J Lee

1 Claim, 11 Drawing Sheets



(56)

References Cited

U.S. PATENT DOCUMENTS

D804,487 S	*	12/2017	Theis	D14/447
D829,724 S	*	10/2018	Chun	D14/447
D837,798 S	*	1/2019	Janzen	D14/447
D847,800 S	*	5/2019	Wengreen	D14/238.1
D847,821 S	*	5/2019	Gowda	D14/447
D859,419 S	*	9/2019	Cover	D14/447
D866,563 S	*	11/2019	Zhang	D14/447

* cited by examiner

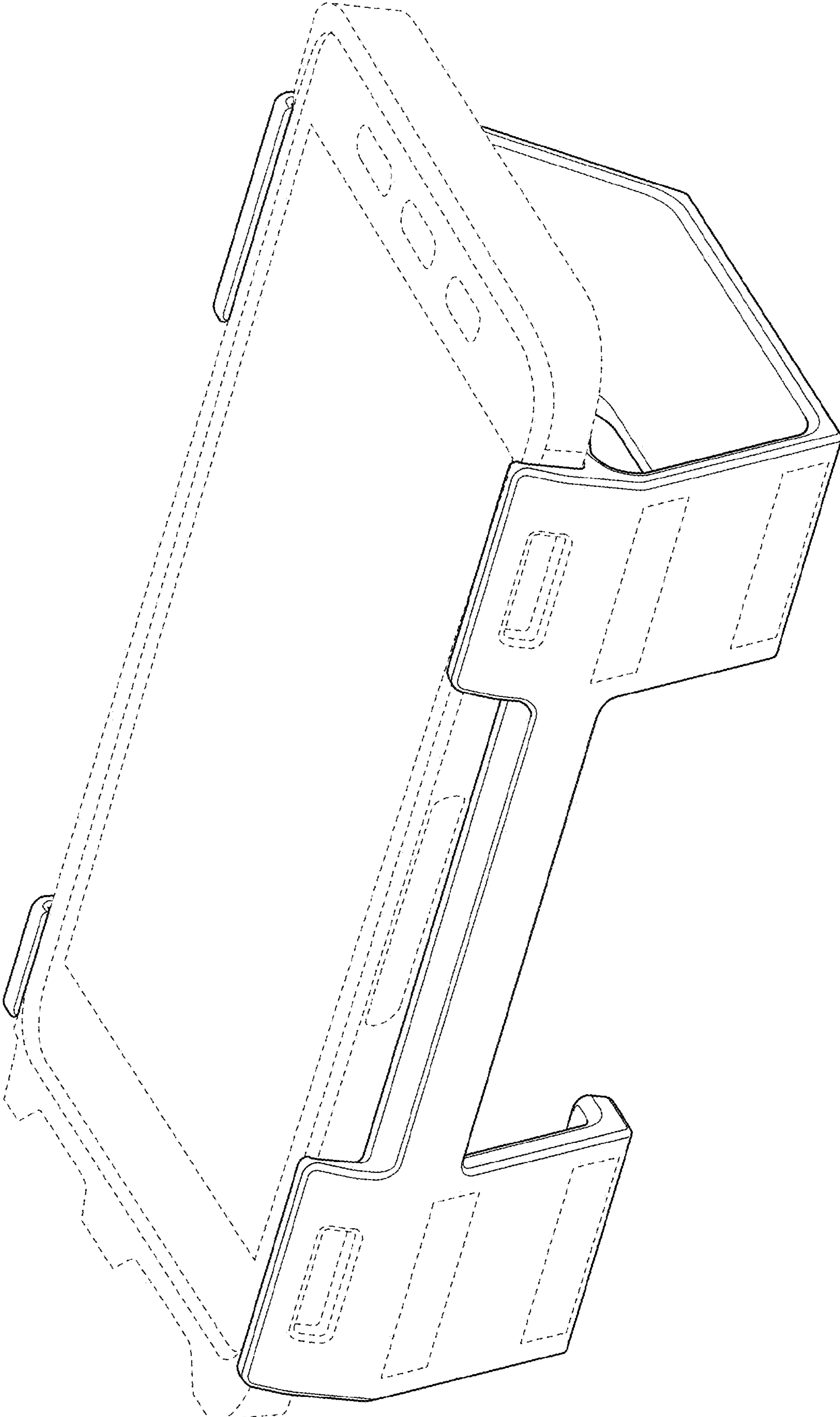


FIG. 1

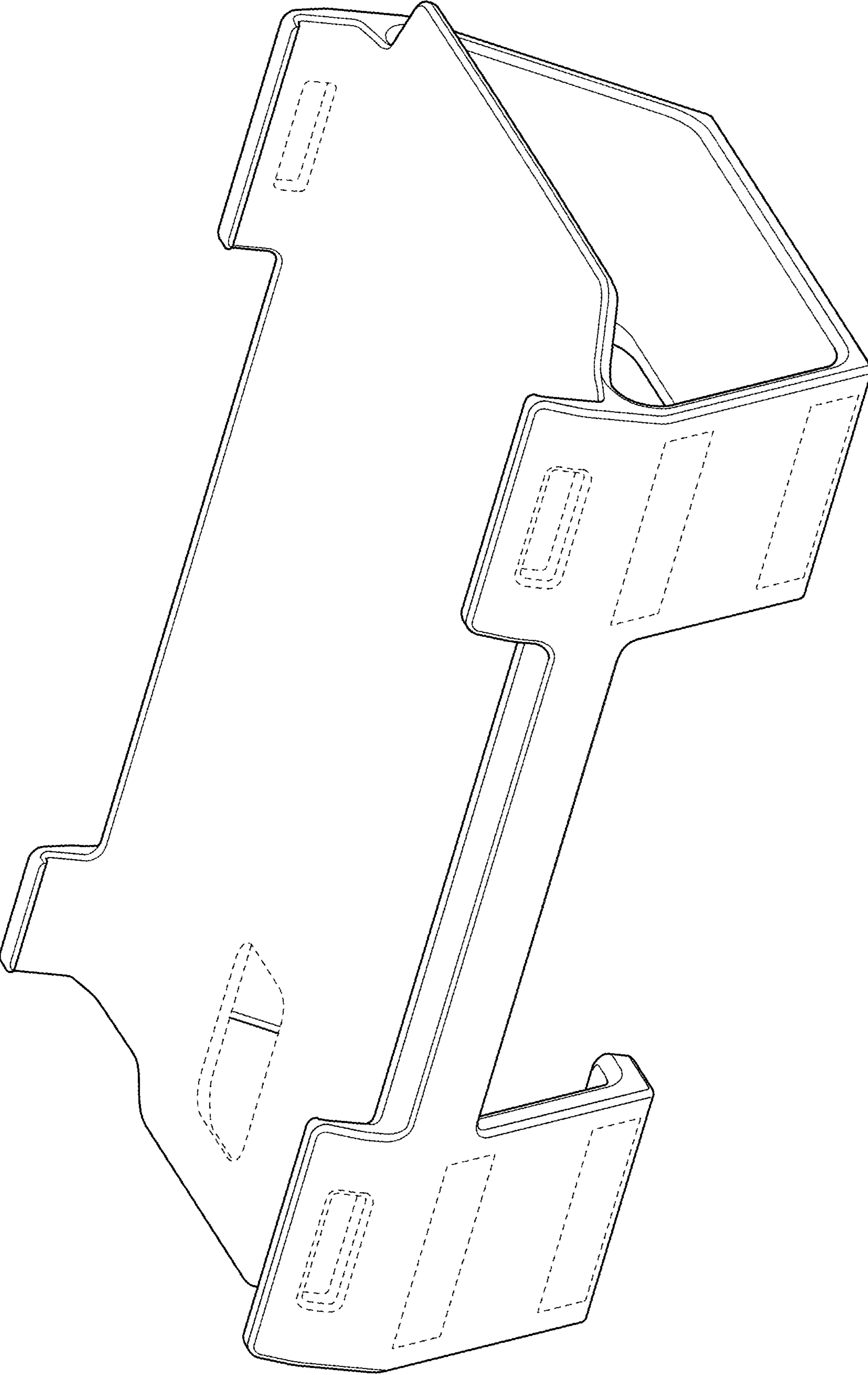


FIG. 2

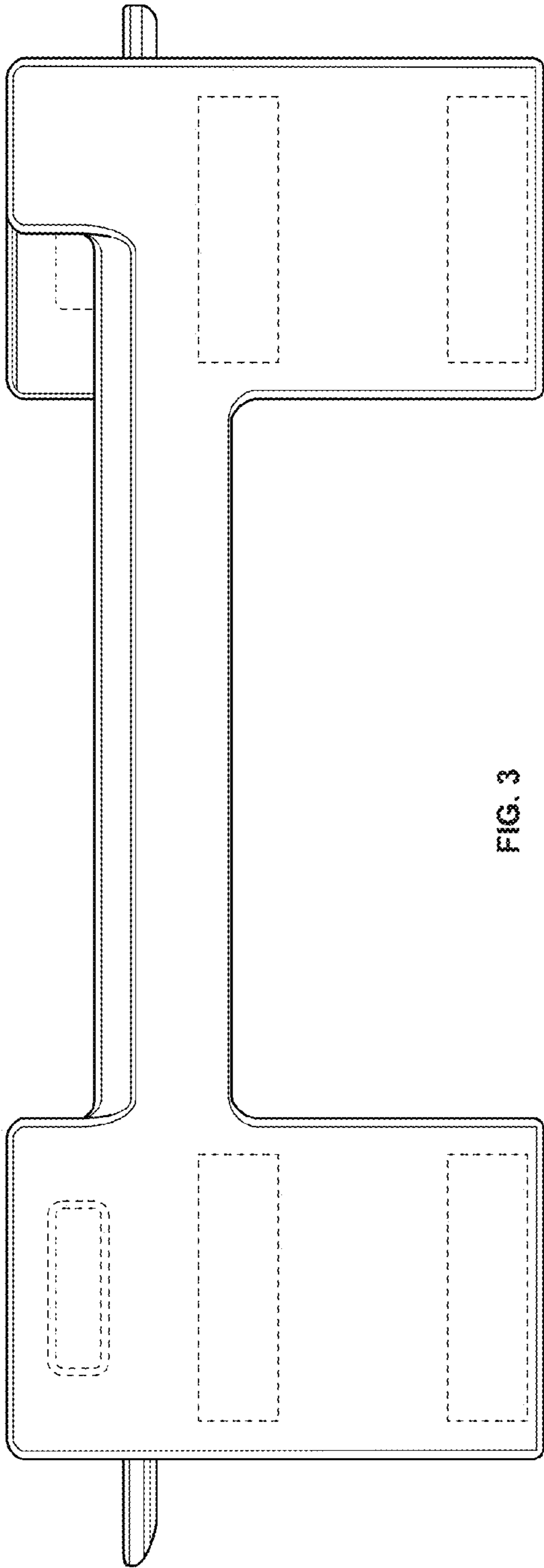


FIG. 3

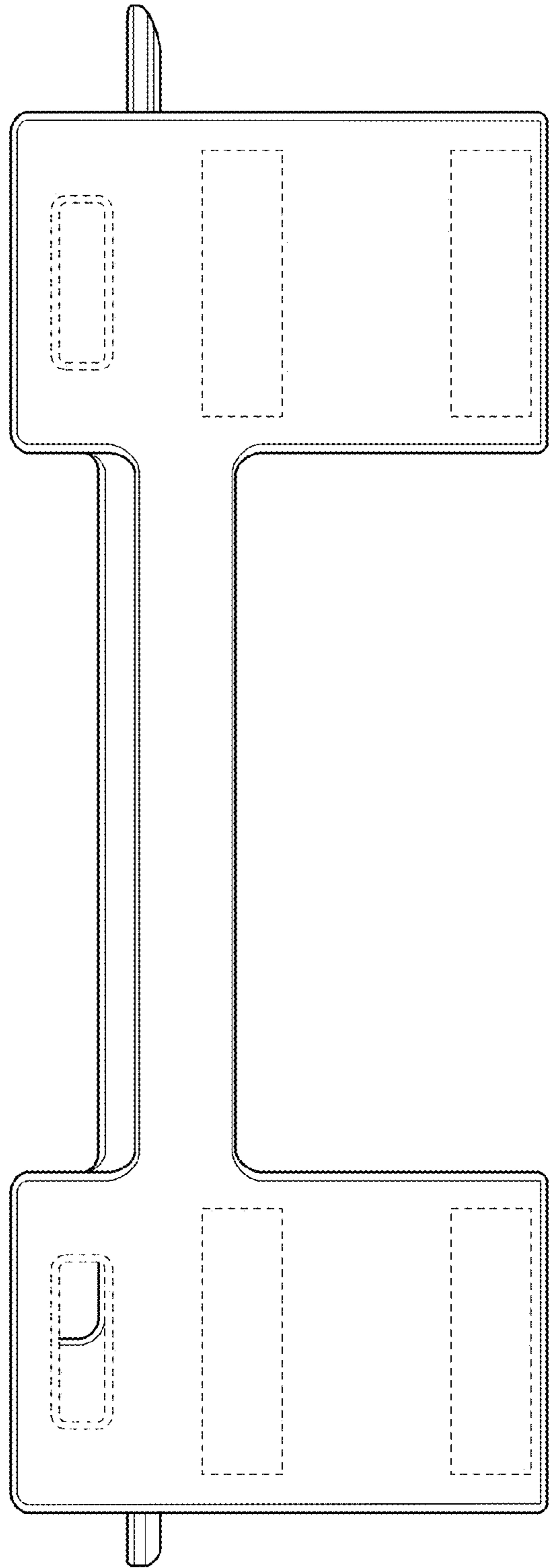


FIG. 4

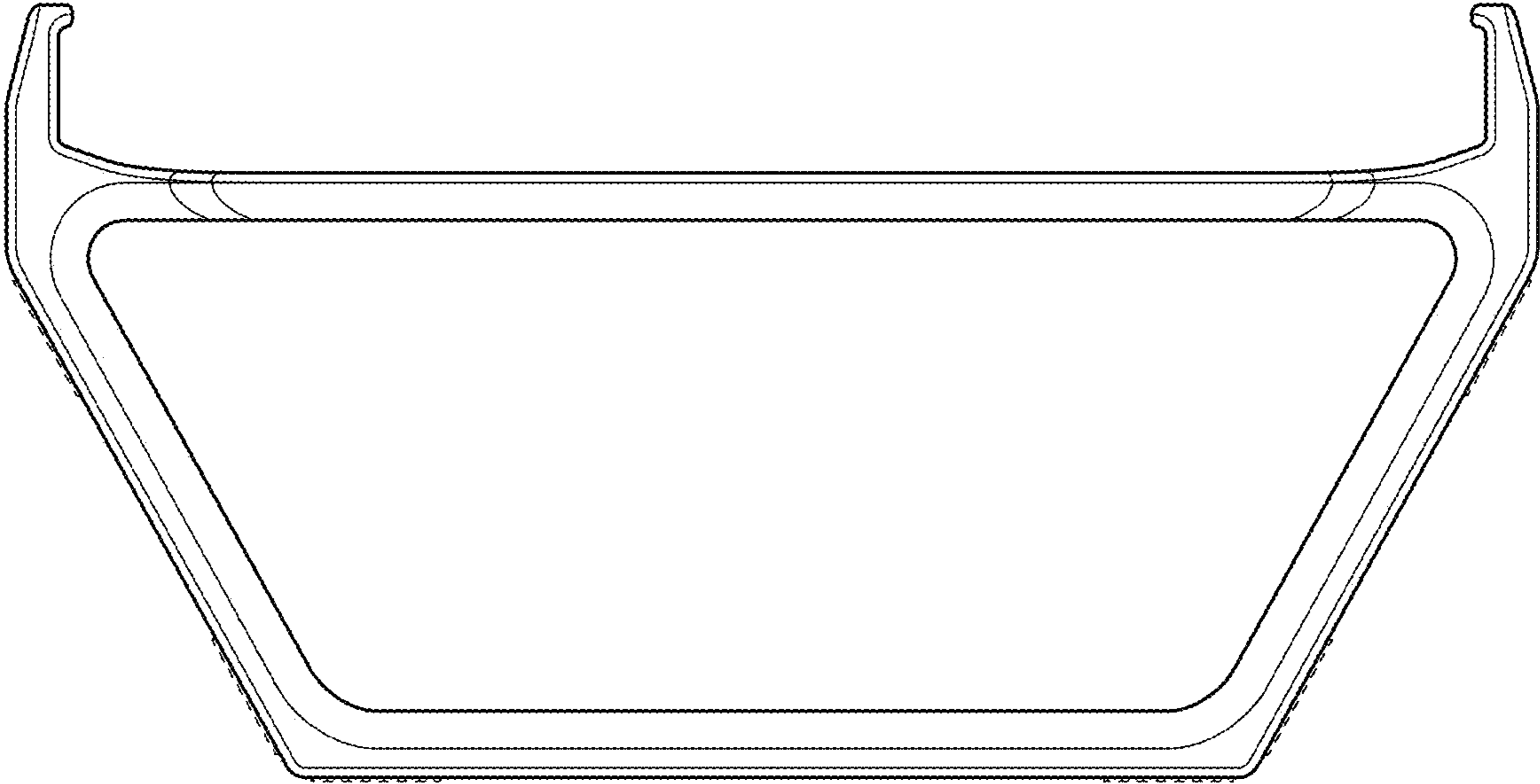


FIG. 5

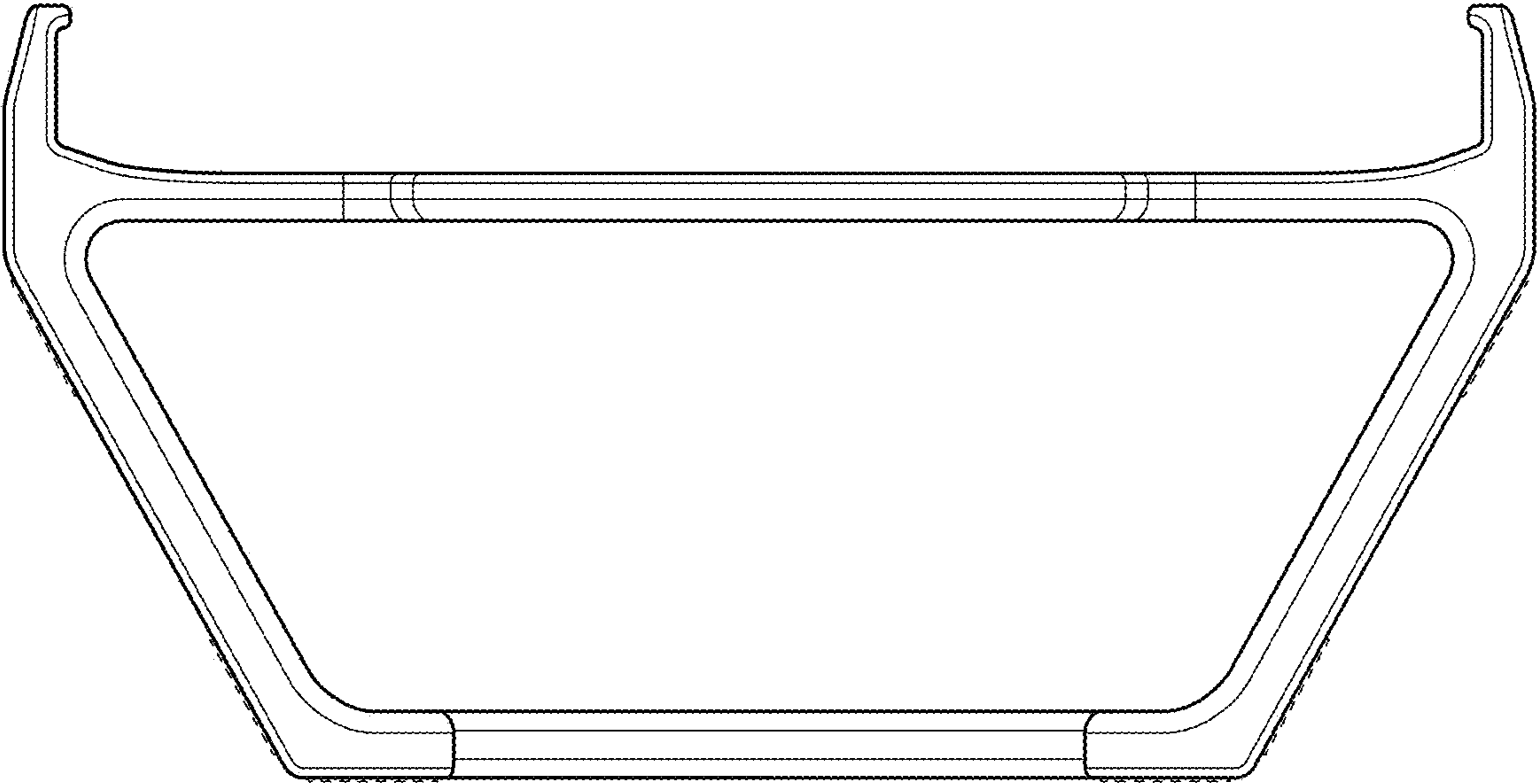


FIG. 6

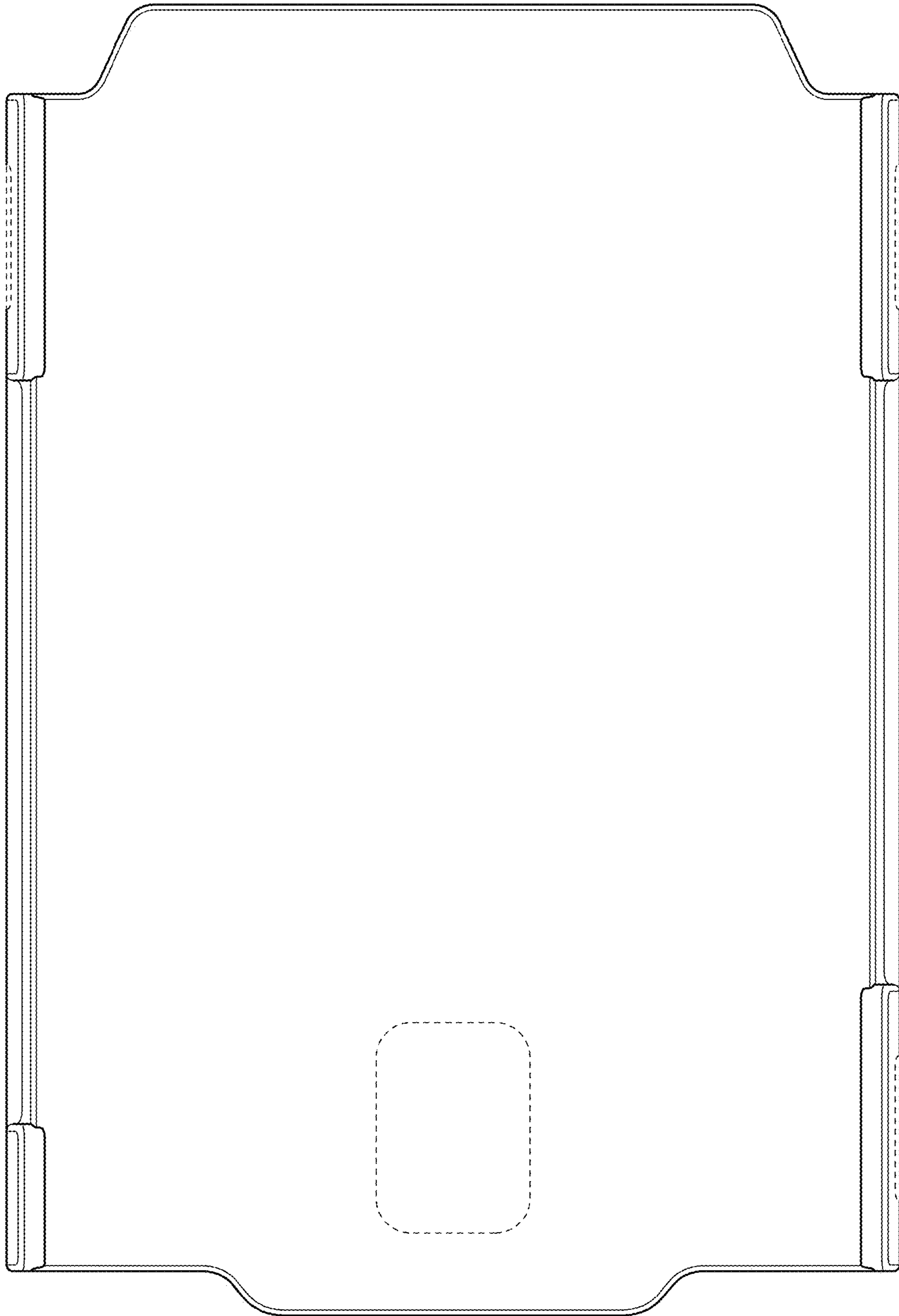


FIG. 7

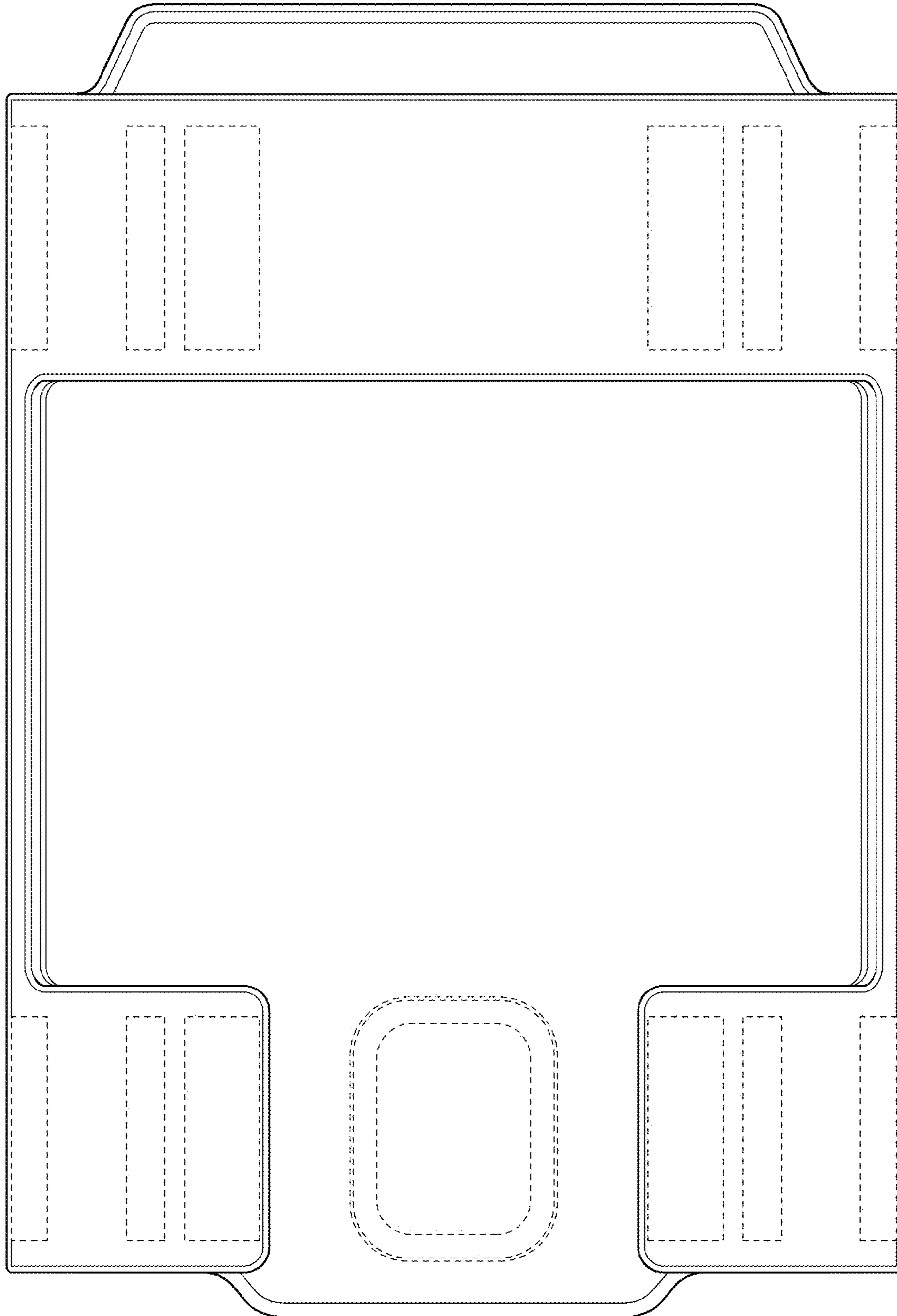


FIG. 8

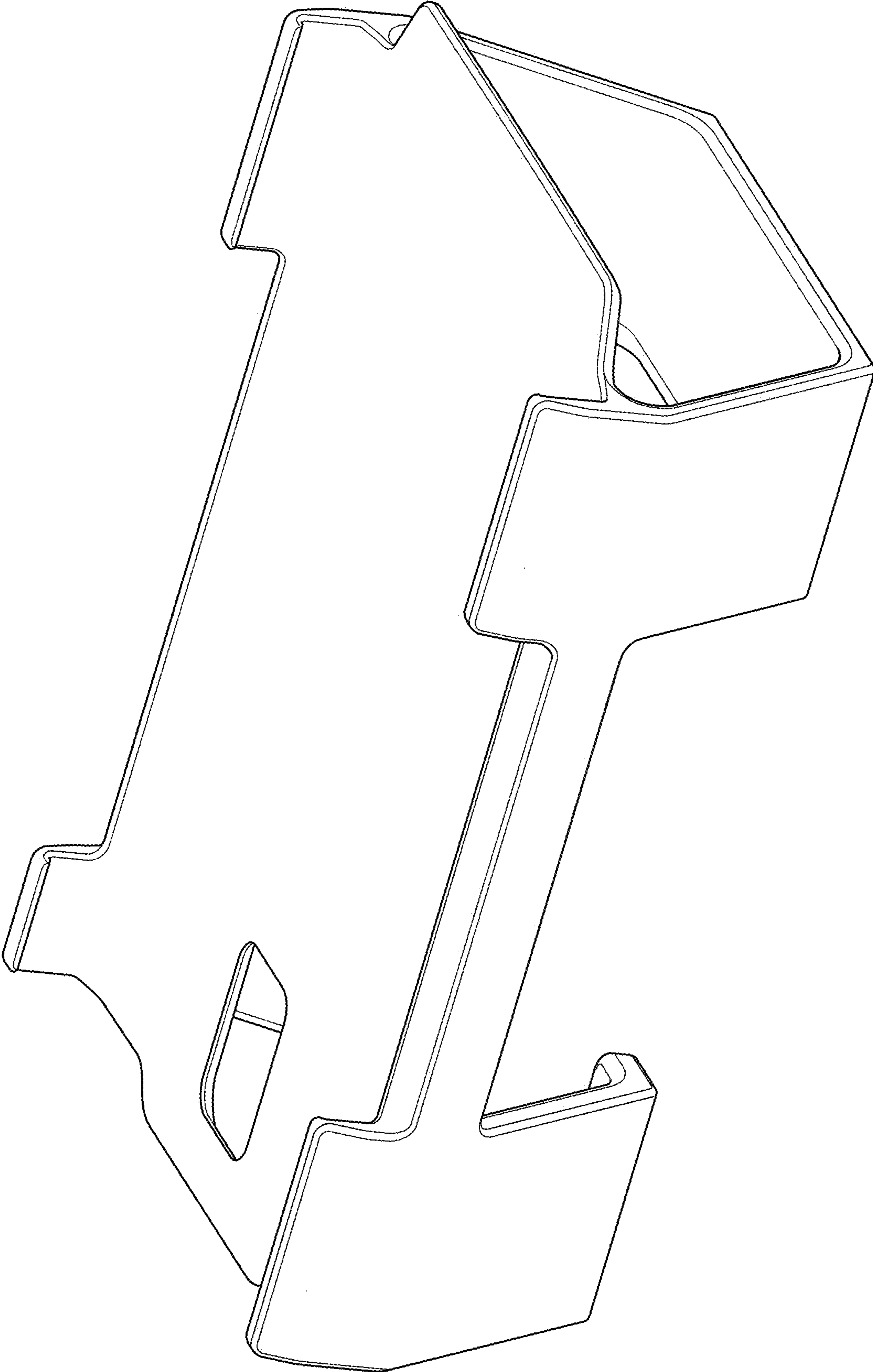


FIG. 9

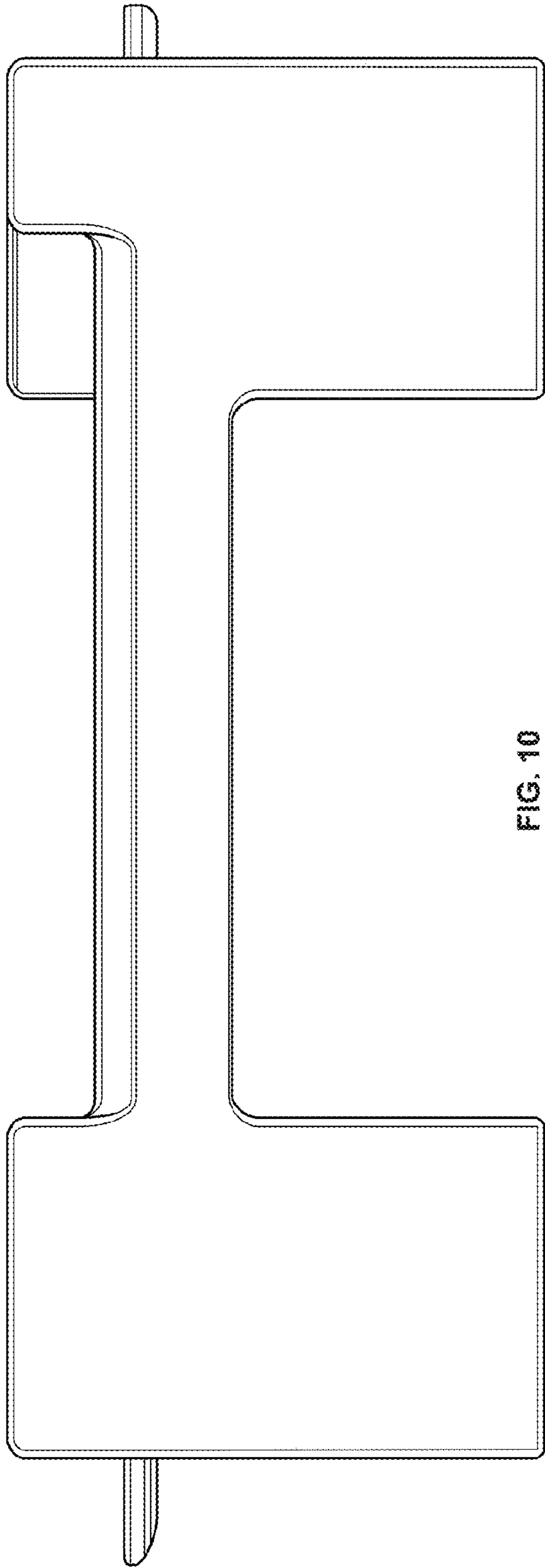


FIG. 10

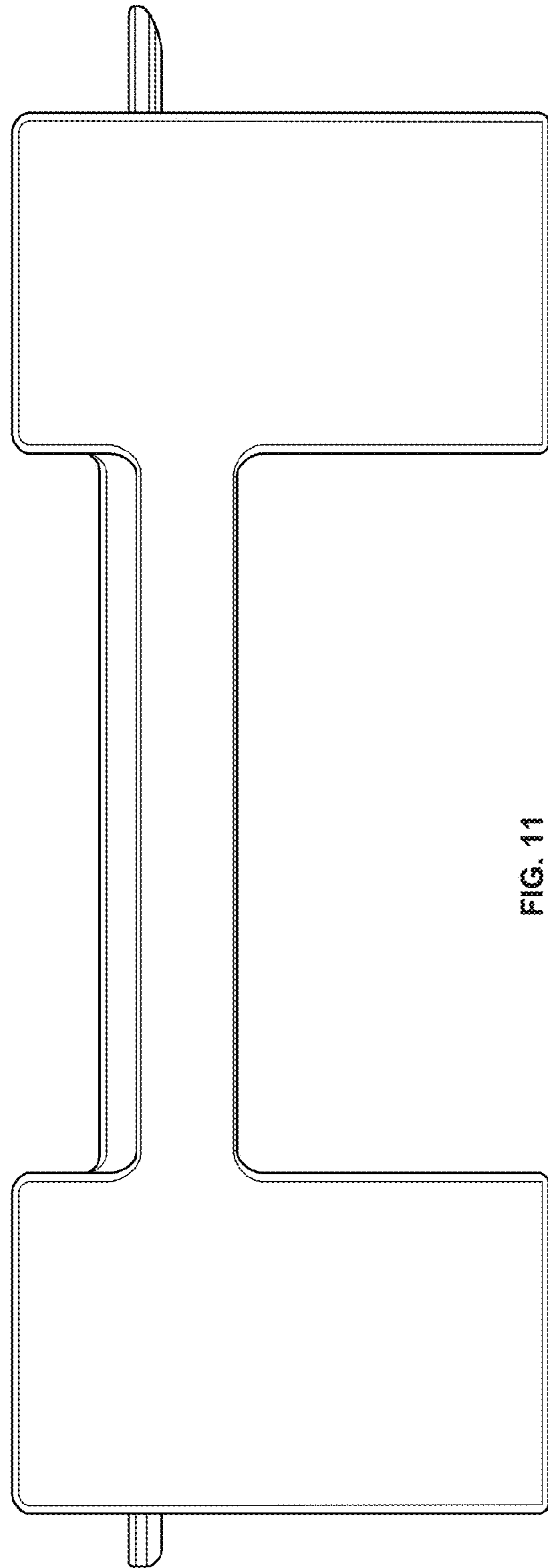


FIG. 11

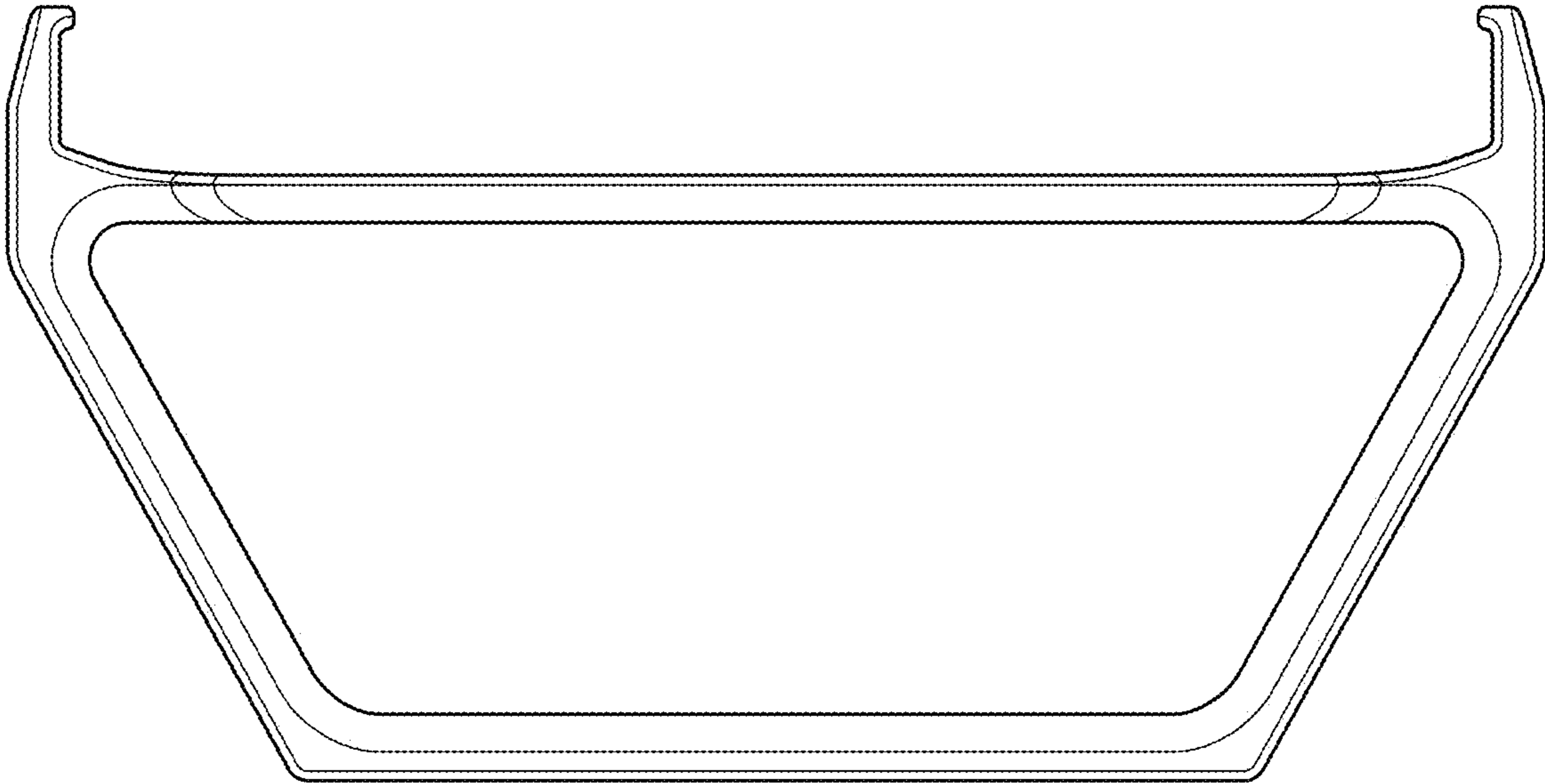


FIG. 12

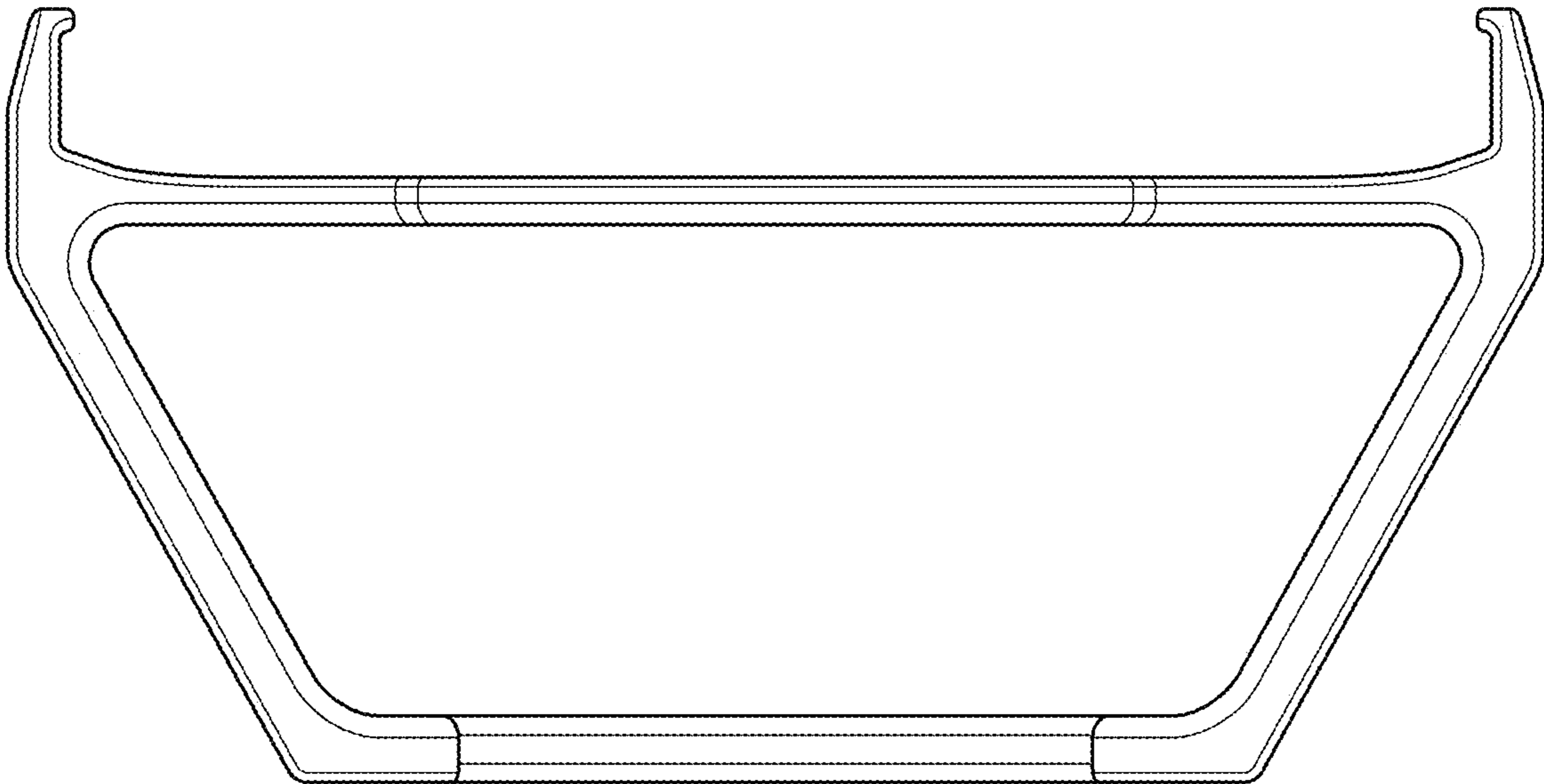


FIG. 13

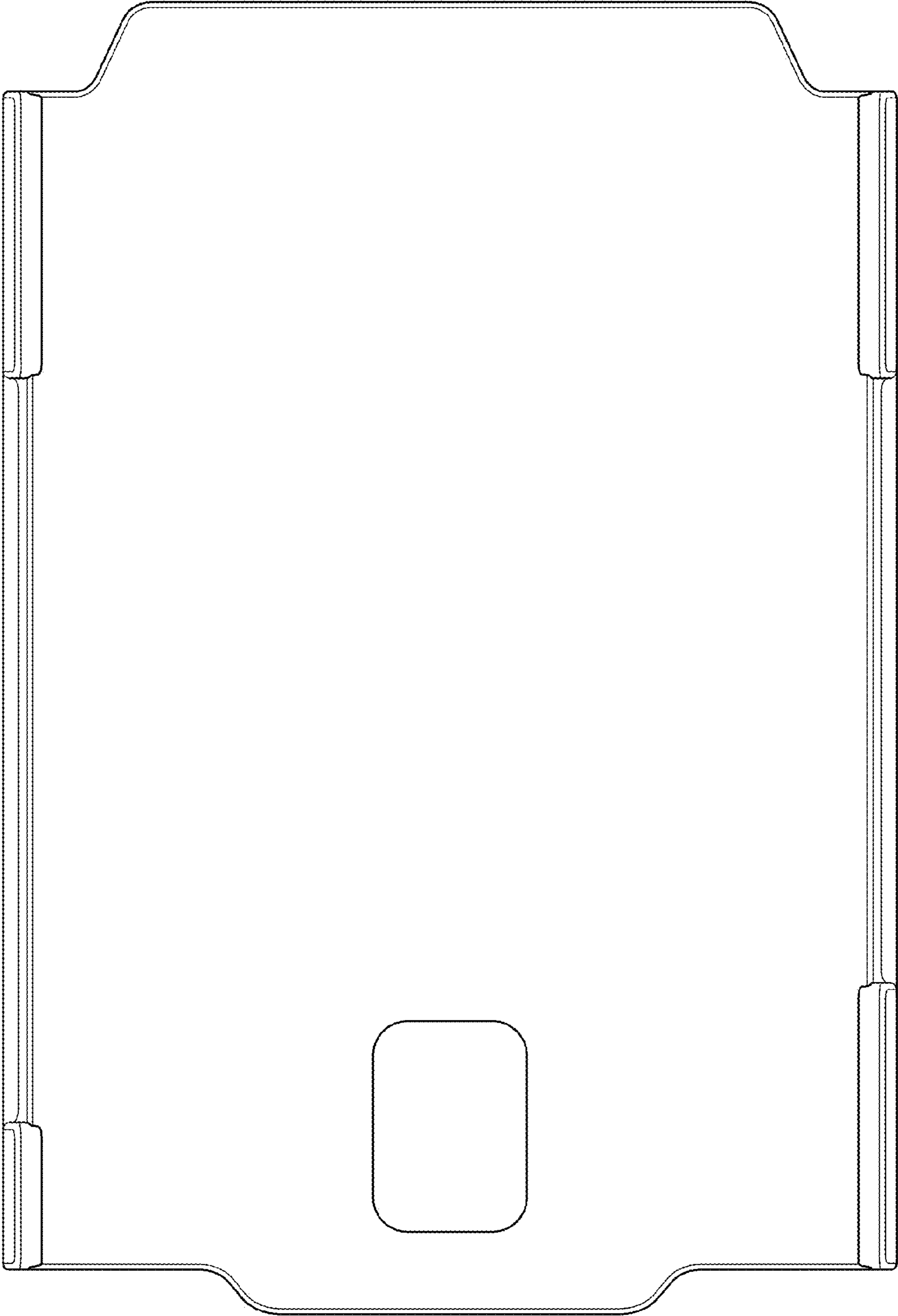


FIG. 14

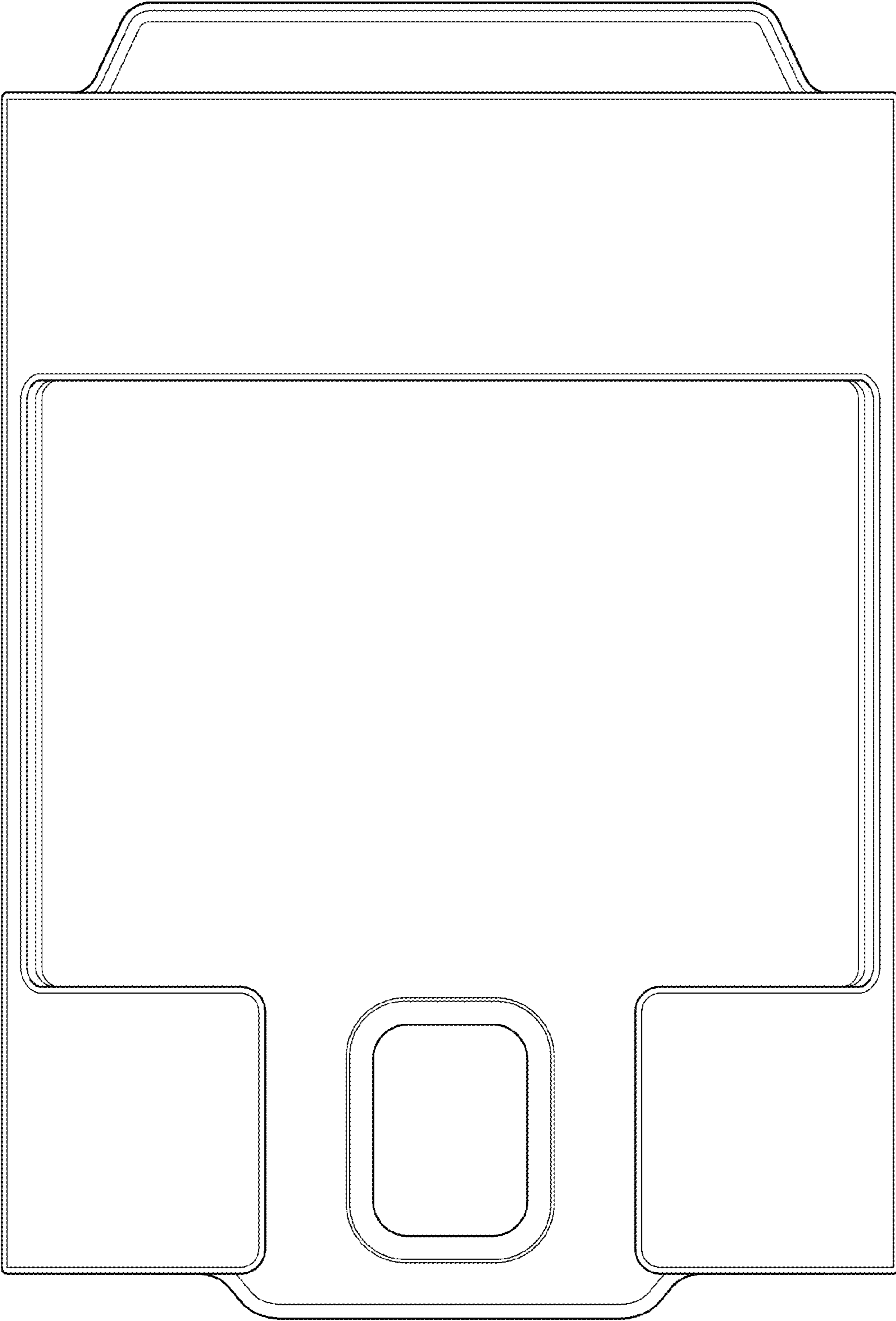


FIG. 15