



US00D909392S

(12) **United States Design Patent** (10) **Patent No.:** **US D909,392 S**  
**Lee** (45) **Date of Patent:** **\*\* Feb. 2, 2021**

(54) **COVER FOR ELECTRONIC DEVICE**  
(71) Applicant: **elago CO. LTD**, Goyang-si (KR)  
(72) Inventor: **Chanwoo Lee**, Goyang-si (KR)  
(73) Assignee: **elago CO. LTD**, Goyang-si (KR)

D846,264 S \* 4/2019 Wu ..... D3/201  
D849,401 S \* 5/2019 Akana ..... D3/274  
D851,913 S 6/2019 Yu  
D864,565 S \* 10/2019 Lee ..... D3/271.1  
D864,971 S \* 10/2019 Lee ..... D14/440  
D868,453 S \* 12/2019 Lee ..... D3/201  
D868,465 S \* 12/2019 Lee ..... D3/269  
D872,094 S \* 1/2020 Wright ..... D14/440

(Continued)

(\*\*) Term: **15 Years**

FOREIGN PATENT DOCUMENTS

(21) Appl. No.: **29/743,527**

CA 184659 7/2019  
CA 184660 7/2019

(22) Filed: **Jul. 22, 2020**

(Continued)

(51) **LOC (13) Cl.** ..... **14-02**

(52) **U.S. Cl.**  
USPC ..... **D14/440**

*Primary Examiner* — Cynthia R Underwood  
(74) *Attorney, Agent, or Firm* — Paratus Law Group, PLLC

(58) **Field of Classification Search**  
USPC ..... D14/440, 447, 250; 206/45.23, 320,  
206/45.2; 361/679.55; 294/25; 224/218;  
D3/294  
CPC ... G06F 1/1628; G06F 1/1626; A47B 23/044;  
H04B 1/3888

(57) **CLAIM**  
The ornamental design for a cover for electronic device, as shown and described.

See application file for complete search history.

**DESCRIPTION**

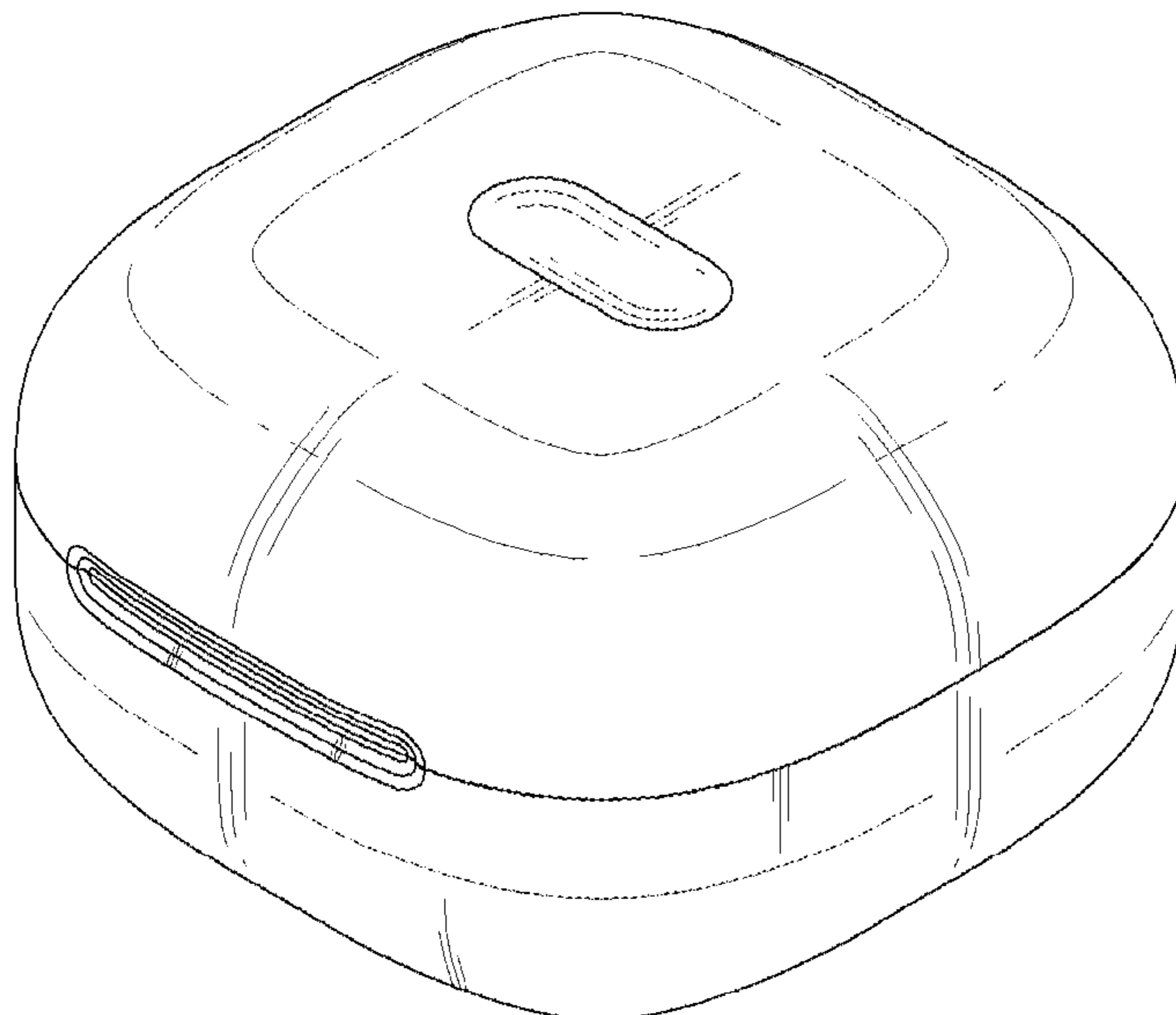
(56) **References Cited**

U.S. PATENT DOCUMENTS

D323,929 S \* 2/1992 Hodson ..... D14/440  
D377,788 S \* 2/1997 Carlson ..... D14/440  
D467,799 S \* 12/2002 Persson ..... D9/420  
D558,973 S \* 1/2008 Hussaini ..... D3/201  
D714,296 S \* 9/2014 Fujioka ..... D14/440  
8,831,538 B2 \* 9/2014 Yuen ..... A61B 5/222  
455/90.1  
D720,096 S \* 12/2014 McDougall ..... D28/66  
D731,793 S 6/2015 Houghton et al.  
D740,692 S \* 10/2015 Christie ..... D9/748  
D764,476 S \* 8/2016 Gleason, III ..... D14/440  
D808,791 S 1/2018 Johnston et al.  
D810,421 S \* 2/2018 Ross ..... D3/203.1  
D812,065 S \* 3/2018 Shim ..... D14/440  
D817,640 S \* 5/2018 Dang ..... D3/294  
D818,268 S \* 5/2018 Akana ..... D3/294

FIG. 1 is a front, top, and right sides perspective view of a cover for electronic device, showing my design;  
FIG. 2 is a front view thereof;  
FIG. 3 is a back view thereof;  
FIG. 4 is a left side view thereof;  
FIG. 5 is a right side view thereof;  
FIG. 6 is a top view thereof;  
FIG. 7 is a bottom view thereof;  
FIG. 8 is a back, top, and left sides perspective view thereof;  
and,  
FIG. 9 is a back, bottom, and left sides perspective view thereof.  
The broken lines shown in FIG. 3 depict inner parts of the cover for electronic device and form no part of the claimed design.

**1 Claim, 5 Drawing Sheets**



(56)

**References Cited**

U.S. PATENT DOCUMENTS

D872,468	S *	1/2020	Lee	.....	D3/269
D872,469	S *	1/2020	Lee	.....	D3/269
D873,217	S *	1/2020	Zhang	.....	D13/108
D876,821	S *	3/2020	Lee	.....	D3/203.3
D878,754	S *	3/2020	Lee	.....	D3/270
D882,259	S *	4/2020	Liu	.....	D3/269
D883,296	S *	5/2020	Lee	.....	D14/440
D886,453	S *	6/2020	Wright	.....	D3/294
D888,408	S	6/2020	Lee et al.		
D888,664	S	6/2020	Ma		
D891,434	S *	7/2020	Lee	.....	D14/440
D893,166	S *	8/2020	Lu	.....	D3/201
D894,123	S *	8/2020	Xiong	.....	D13/108
D904,025	S *	12/2020	Ma	.....	D3/295
D904,763	S *	12/2020	Koneru	.....	D3/274
2007/0256946	A1 *	11/2007	Godshaw	.....	B65D 25/10 206/320

FOREIGN PATENT DOCUMENTS

CN	304701574	6/2018
CN	304708016	7/2018
CN	304948858	12/2018
CN	305518857	12/2019
CN	305540304	1/2020
CN	305540454	1/2020
CN	305547740	1/2020
CN	305580768	1/2020
CN	305589150	2/2020
CN	305625297	2/2020
CN	305863782	6/2020
CN	305904240	7/2020
GB	6040802	8/2018

\* cited by examiner

FIG. 1

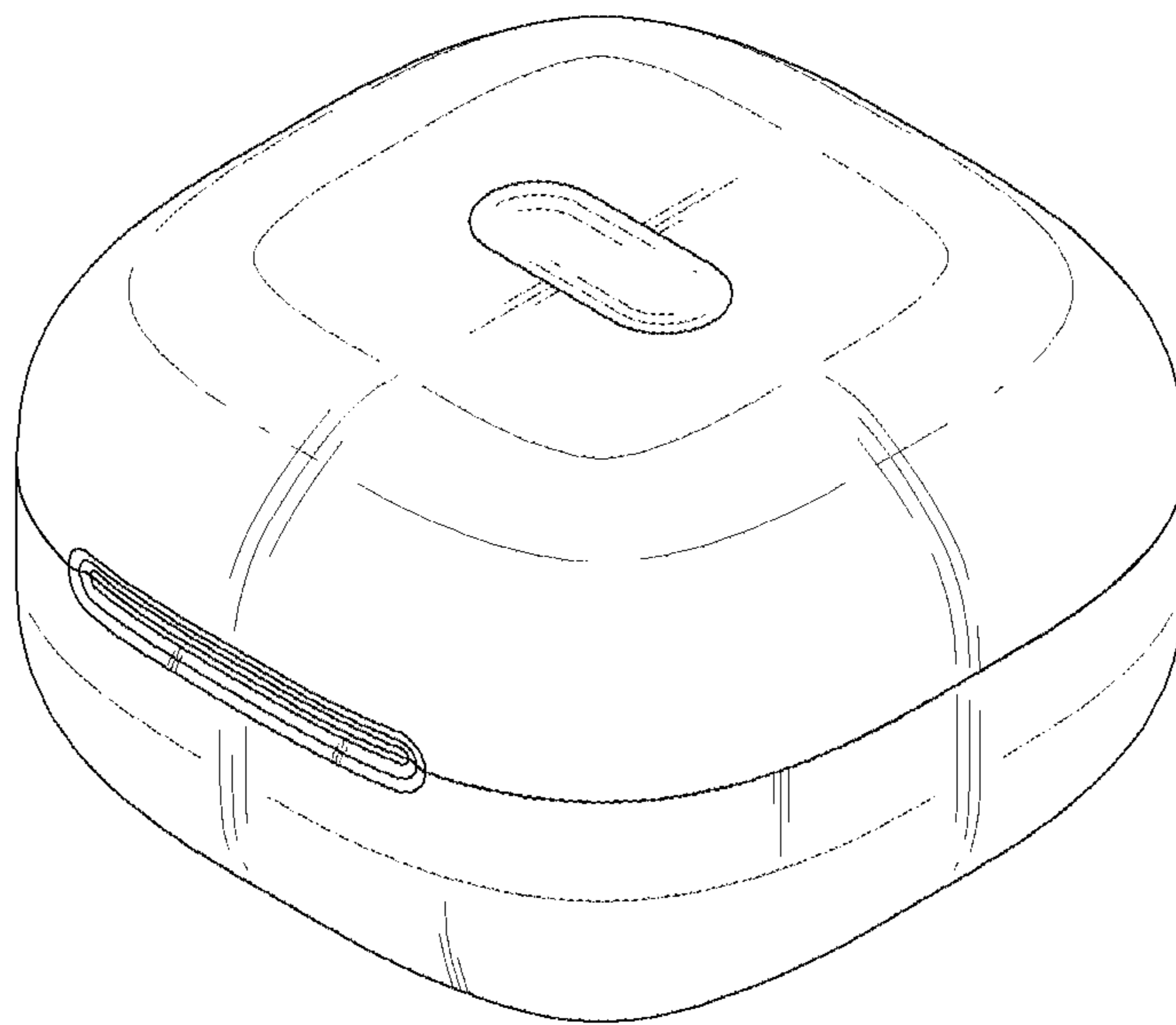


FIG. 2

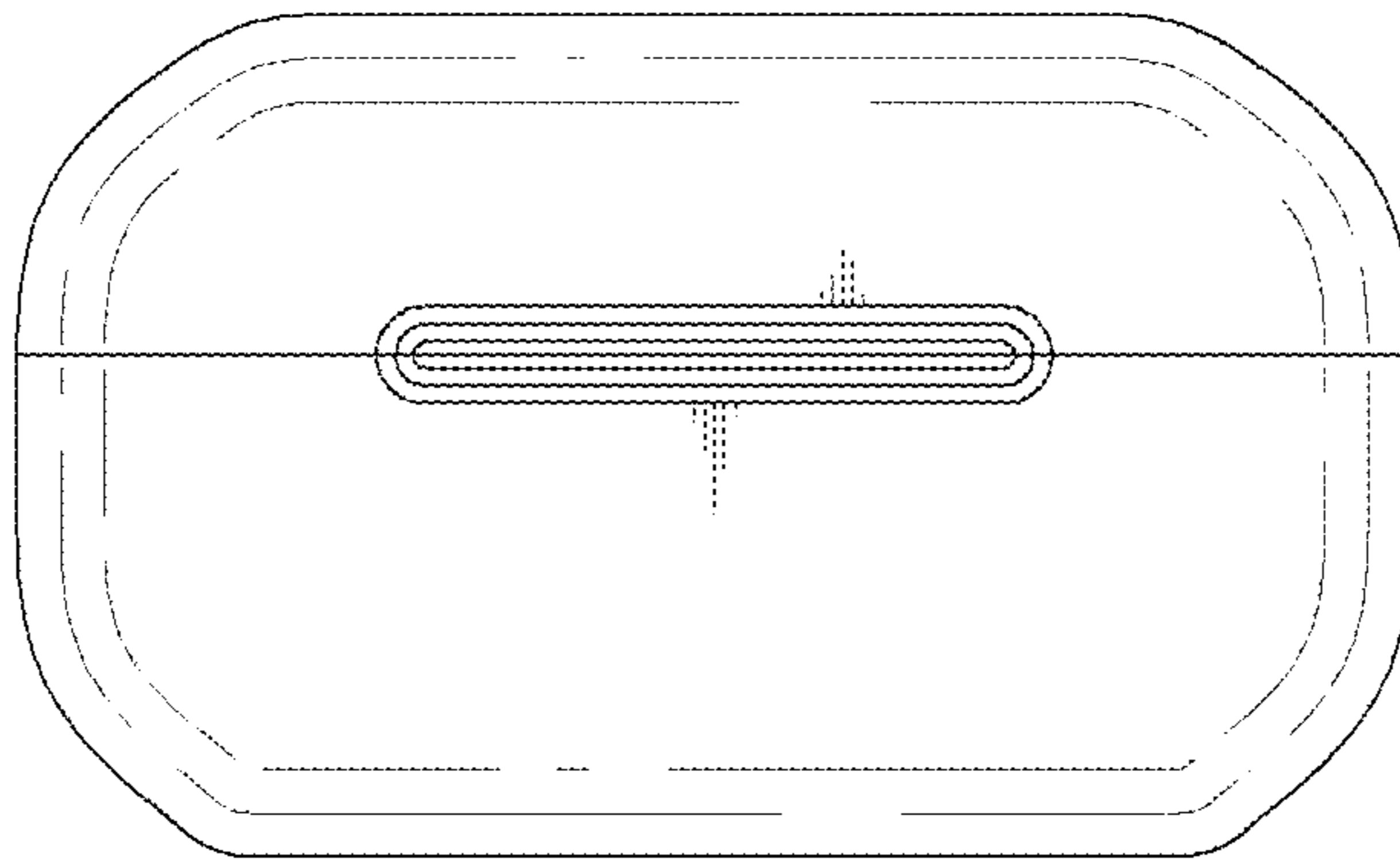


FIG. 3

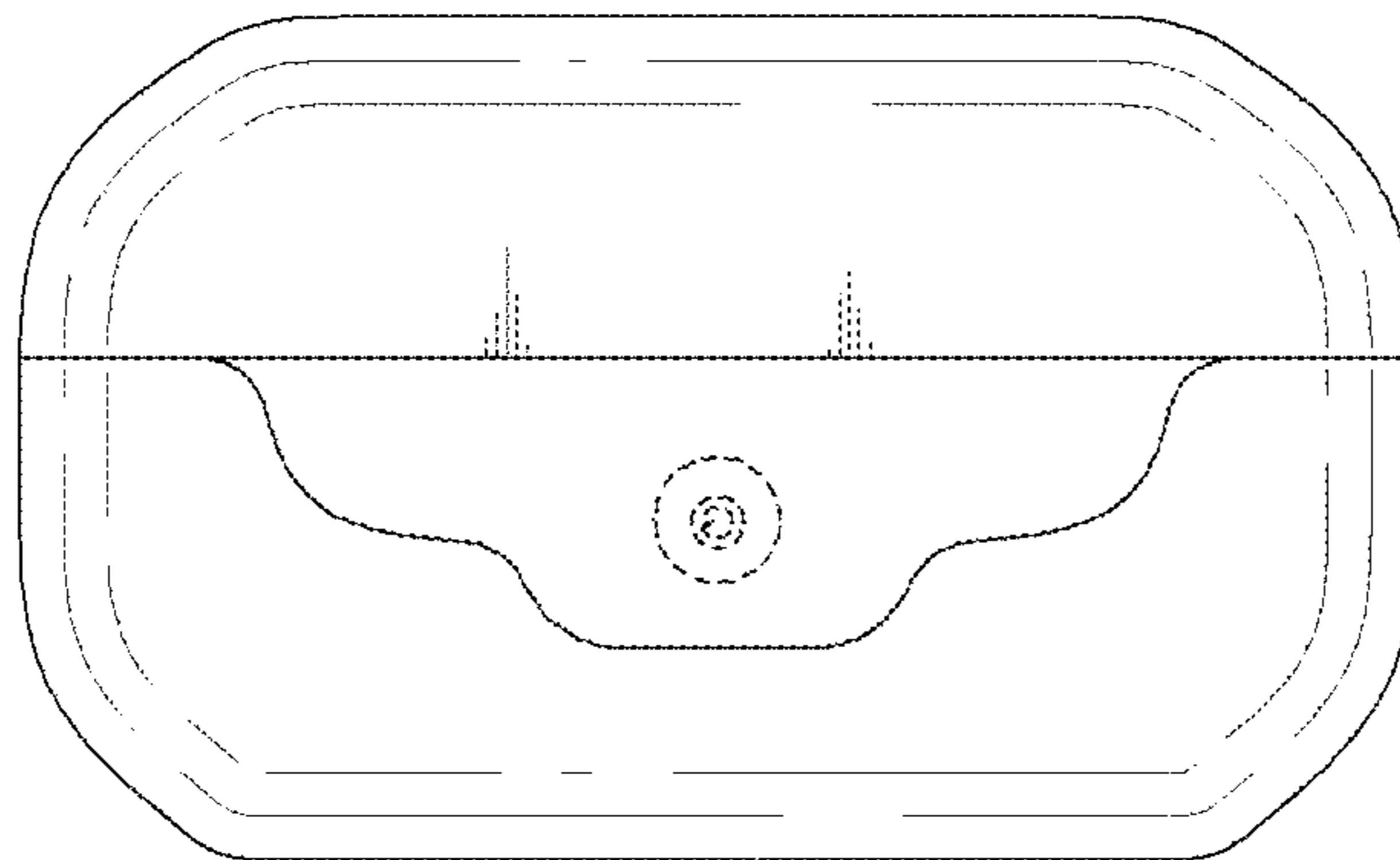


FIG. 4

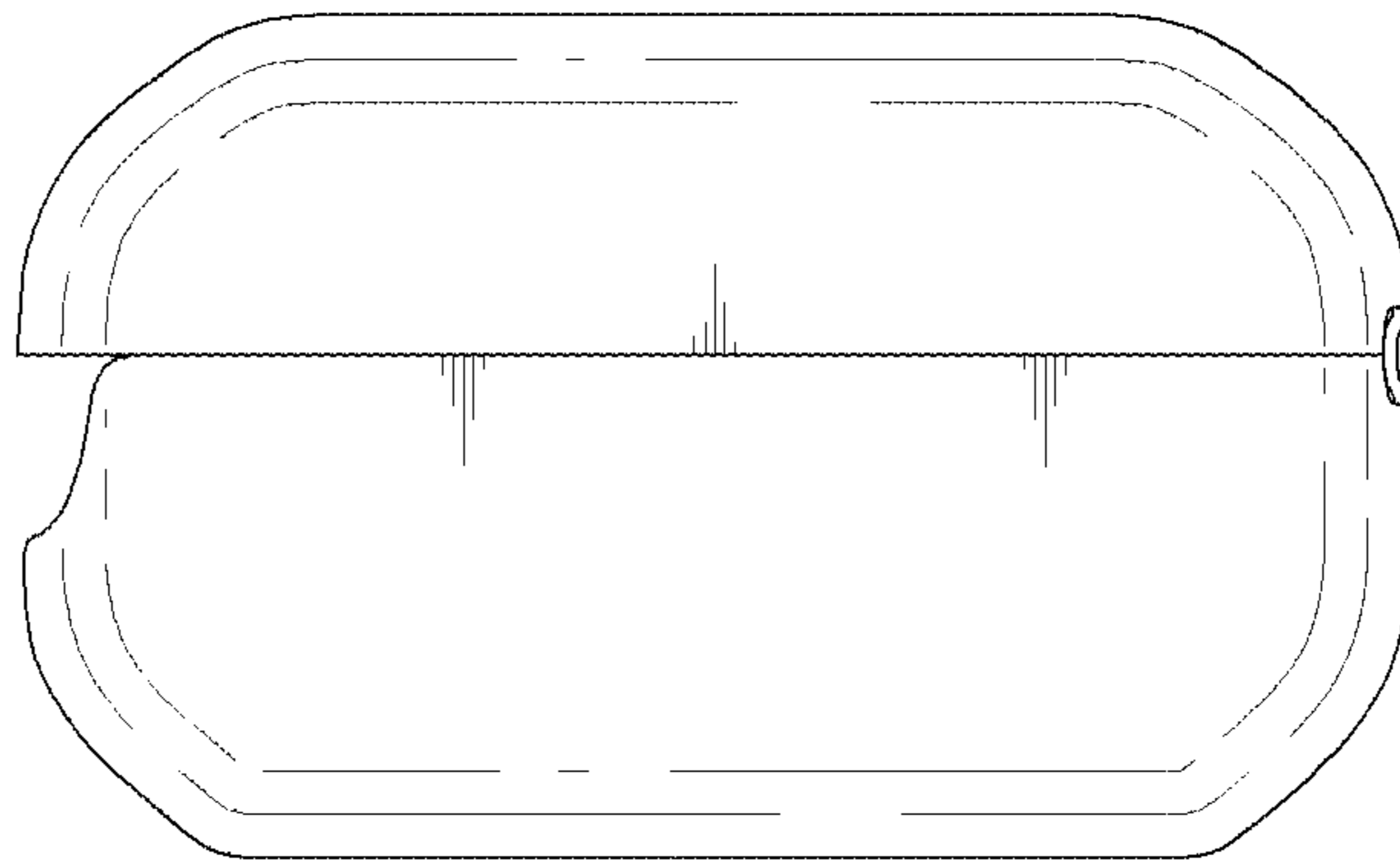


FIG. 5

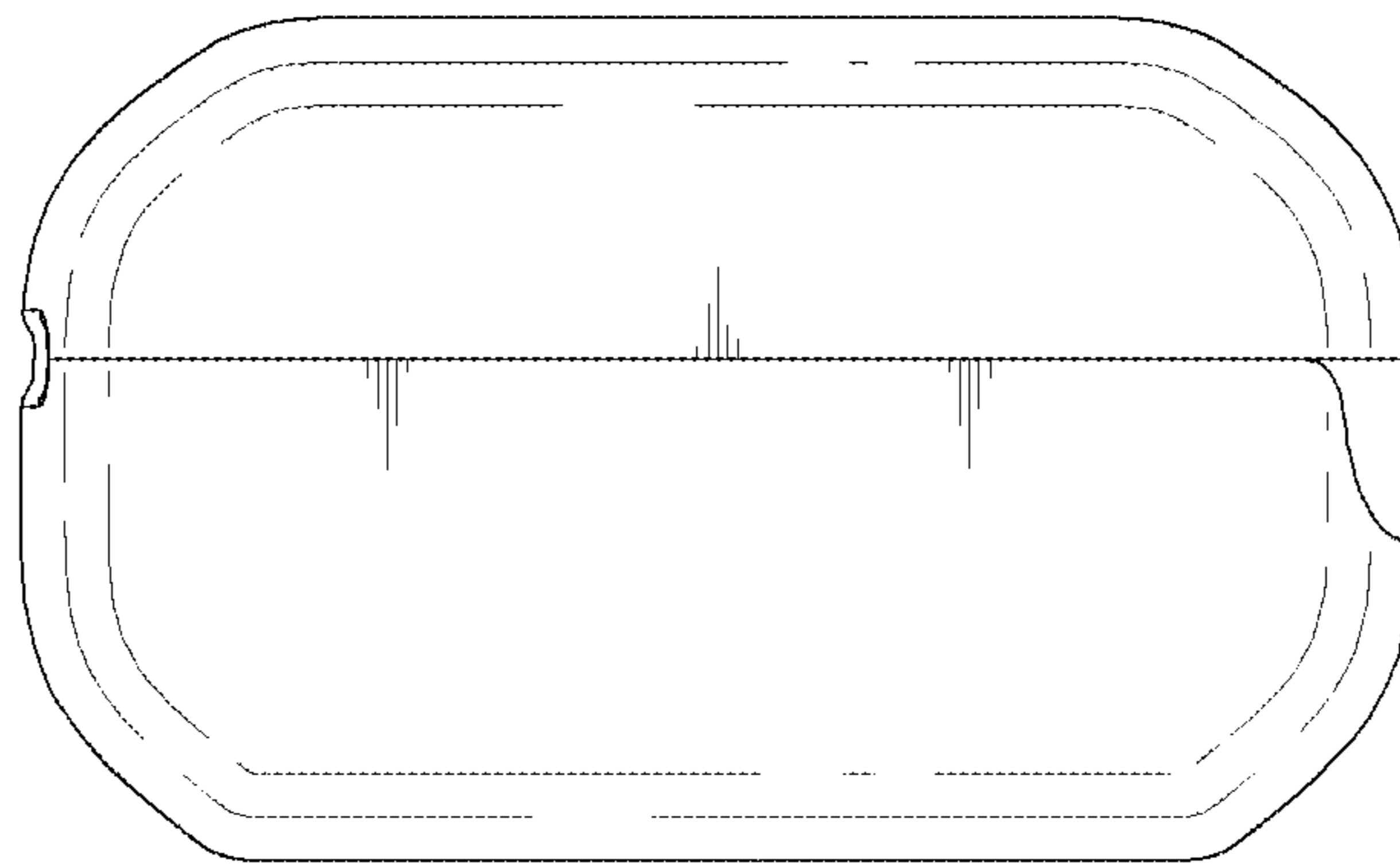


FIG. 6

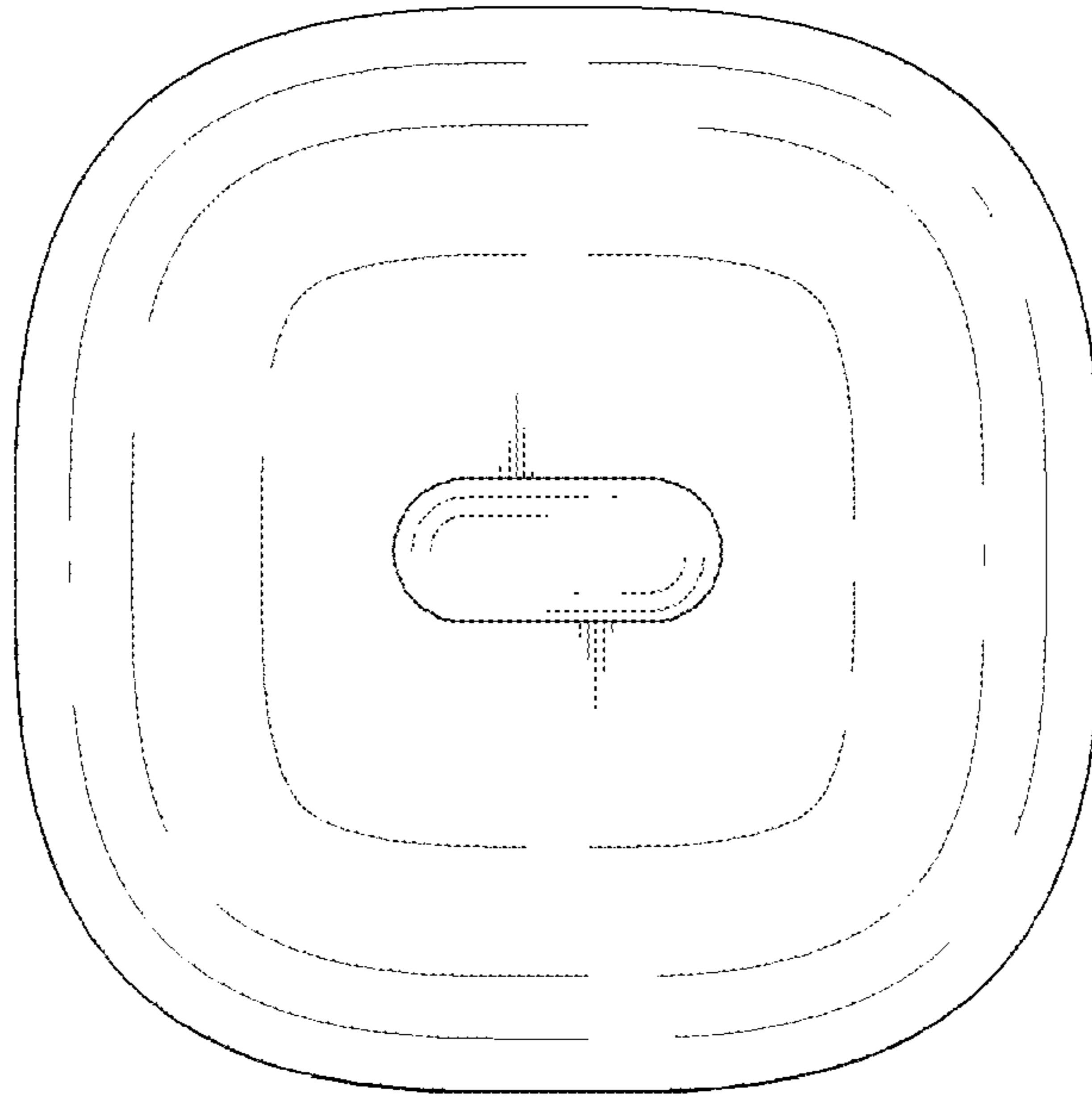


FIG. 7

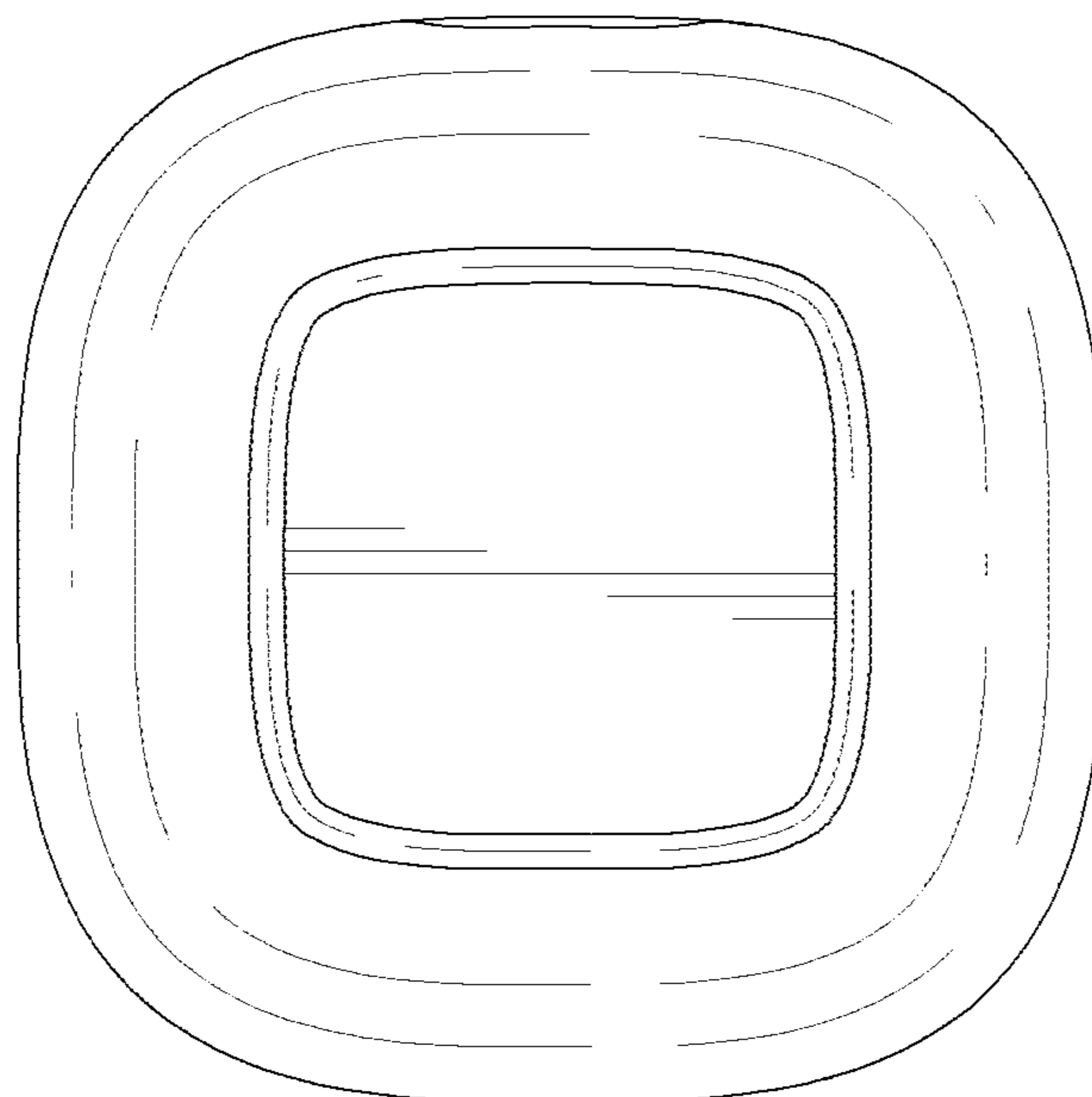


FIG. 8

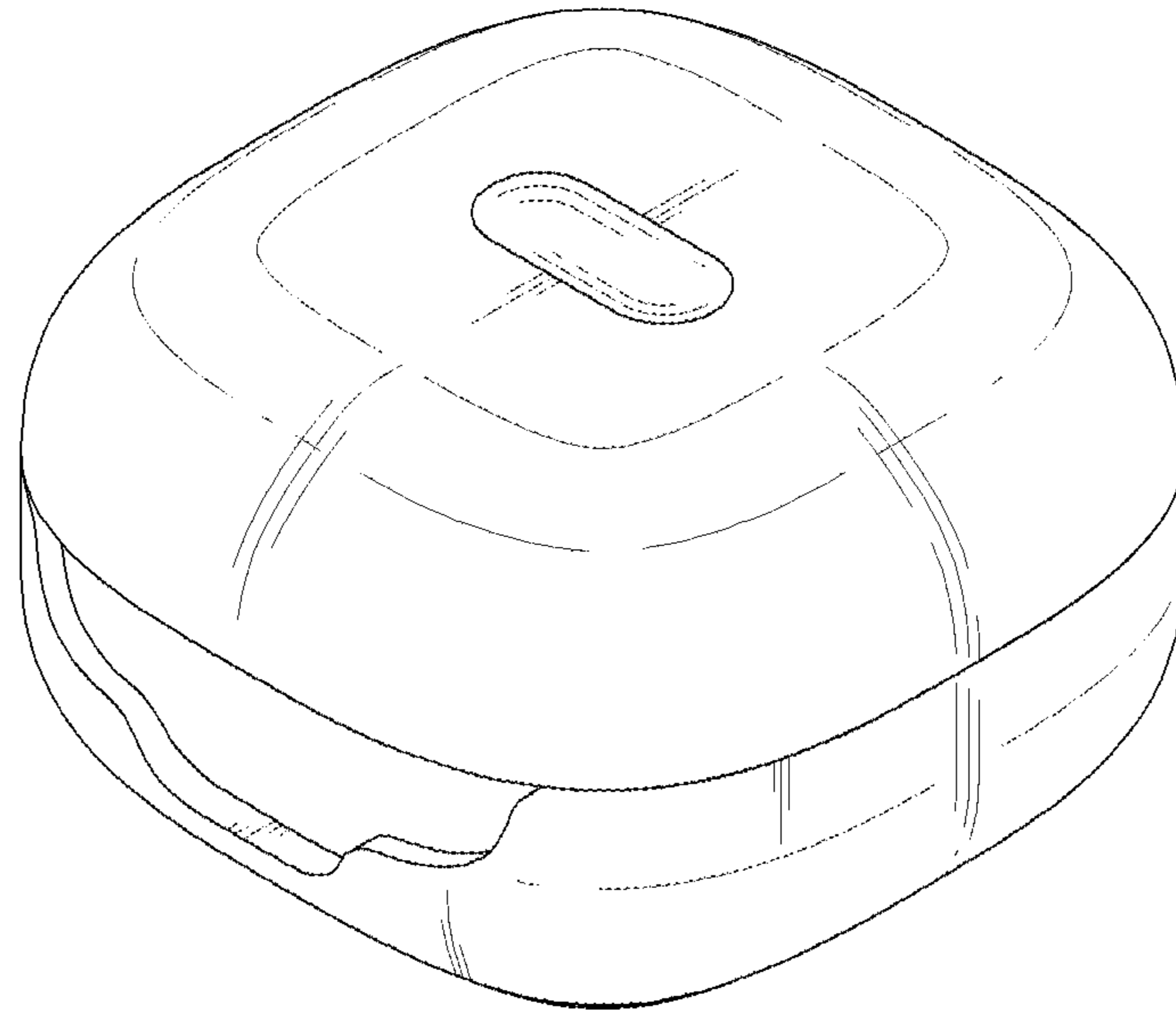


FIG. 9

