



US00D909391S

(12) **United States Design Patent** (10) **Patent No.:** **US D909,391 S**  
**Cheng** (45) **Date of Patent:** **\*\* Feb. 2, 2021**

(54) **CASE FOR ELECTRONIC DEVICE WITH MULTI-ANGLE STAND COVER**

*Primary Examiner* — Cynthia R Underwood  
(74) *Attorney, Agent, or Firm* — Standley Law Group LLP; Beverly A. Marsh

(71) Applicant: **Fintie LLC**, Hilliard, OH (US)

(72) Inventor: **Nai Chu Cheng**, Hilliard, OH (US)

(57) **CLAIM**

The ornamental design for a case for electronic device with multi-angle stand cover, as shown and described.

(73) Assignee: **Fintie LLC**, Hilliard, OH (US)

(\*\*) Term: **15 Years**

**DESCRIPTION**

(21) Appl. No.: **29/715,381**

(22) Filed: **Dec. 2, 2019**

(51) **LOC (13) Cl.** ..... **14-02**

(52) **U.S. Cl.**  
USPC ..... **D14/440**

(58) **Field of Classification Search**  
USPC ..... D14/440, 447, 250; 206/45.23, 320,  
206/45.2; 361/679.55; 294/25; 224/218  
CPC ... G06F 1/1628; G06F 1/1626; A47B 23/044;  
H04B 1/3888  
See application file for complete search history.

FIG. 1 is a front perspective view of a case for electronic device with multi-angle stand cover shown in a first open position;  
FIG. 2 is a front elevation view of the FIG. 1 device in the first open position;  
FIG. 3 is a rear elevation view of the FIG. 1 device in the first open position;  
FIG. 4 is a right-side elevation view of the FIG. 1 device in the first open position;  
FIG. 5 is a left-side elevation view of the FIG. 1 device in the first open position;  
FIG. 6 is a top plan view of the FIG. 1 device in the first open position;  
FIG. 7 is a bottom plan view of the FIG. 1 device in the first open position;  
FIG. 8 is a rear perspective view of the FIG. 1 device in the first open position;  
FIG. 9 is a front perspective view of the FIG. 1 device shown in the closed position;  
FIG. 10 is a front perspective view of the FIG. 1 device in a second open position;  
FIG. 11 is a right-side view of the FIG. 1 device shown in the second open position; and  
FIG. 12 is a front perspective view of the FIG. 1 device in a third open position; and  
FIG. 13 is a right-side elevation view of the FIG. 1 device shown in the third open position.  
The broken lines represent portions of the structure and an environment of use that forms no part of the claim.

(56) **References Cited**

**U.S. PATENT DOCUMENTS**

7,281,698 B2 10/2007 Patterson, Jr.  
D597,052 S 7/2009 Kim  
D611,253 S 3/2010 Lown et al.  
7,925,312 B2 4/2011 Takagi et al.  
D645,251 S 9/2011 Lee

(Continued)

**FOREIGN PATENT DOCUMENTS**

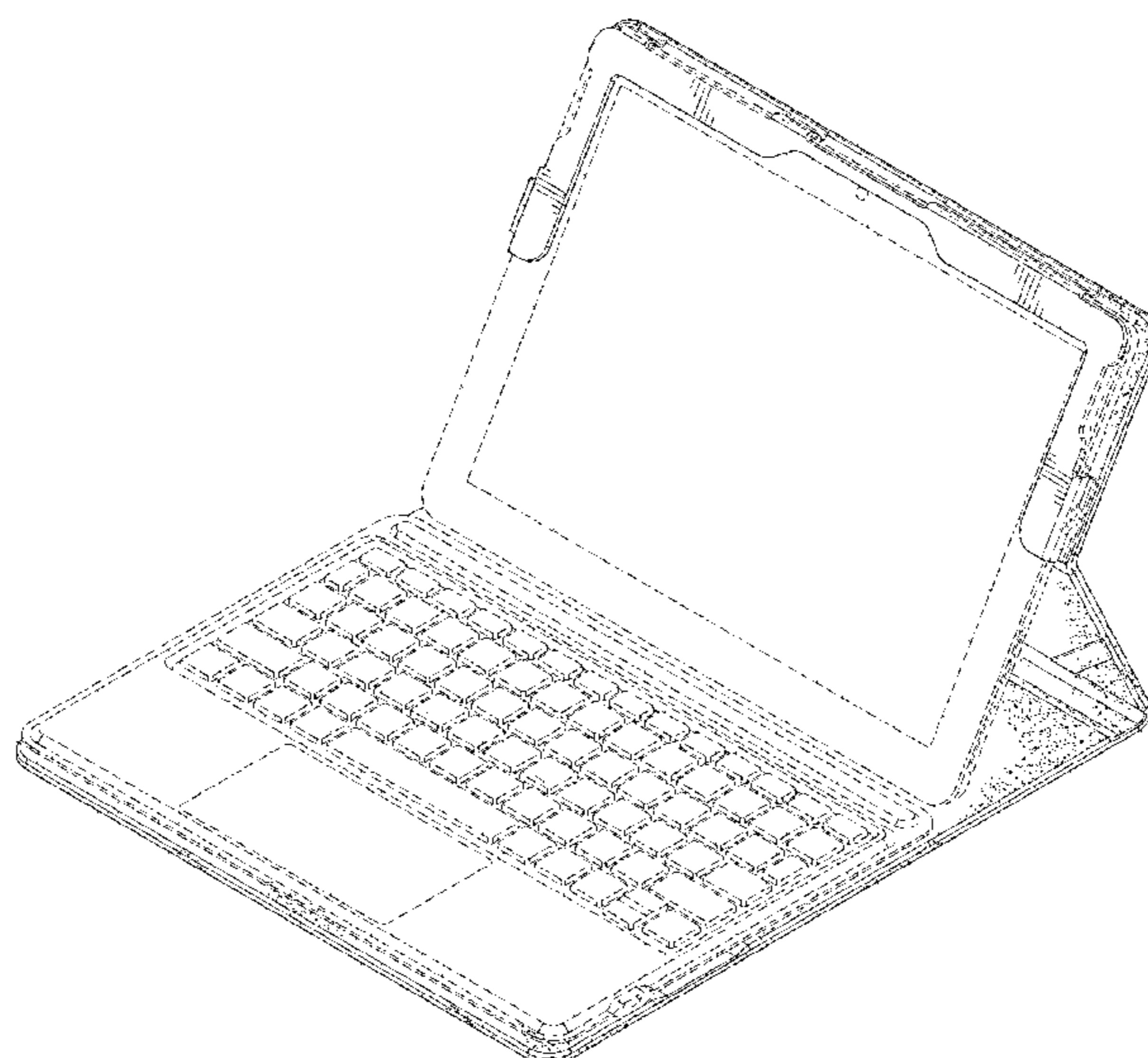
CN 2645409 Y 9/2004  
JP 2009253232 A 10/2009

**OTHER PUBLICATIONS**

Axis Case for iPad from Javo Edge Intl. LLC, at least as early as Jul. 8, 2010.

(Continued)

**1 Claim, 13 Drawing Sheets**



(56)

References Cited

U.S. PATENT DOCUMENTS

D649,144 S	11/2011	Fathollahi	D787,497 S	5/2017	Friedland
8,230,992 B2	7/2012	Law et al.	D789,342 S	6/2017	Sirichai
D667,831 S	9/2012	Stravitz	D789,937 S	6/2017	Zhang
D668,661 S	10/2012	Norfolk	D792,887 S	7/2017	Zhang
8,282,060 B2	10/2012	Fan	D794,626 S	8/2017	Armstrong
D672,353 S	12/2012	Liu	D795,264 S	8/2017	Wright et al.
D676,448 S	2/2013	Gorman et al.	9,717,314 B2	8/2017	Idehara
D676,449 S	2/2013	Probst et al.	D803,222 S	11/2017	Cheng
8,382,059 B2	2/2013	Le Gette et al.	D806,082 S	12/2017	Armstrong
D677,668 S	3/2013	Phillips et al.	D807,363 S	1/2018	Hallier
D678,886 S	3/2013	Heckler	D807,365 S	1/2018	Liu
D681,951 S	5/2013	Phillips et al.	D807,892 S	1/2018	Wang
D682,839 S	5/2013	Sampson et al.	D808,394 S	1/2018	Lakraa
D685,358 S	7/2013	Armstrong	D808,395 S	1/2018	Fenton
D685,786 S	7/2013	Seoc	D811,390 S	2/2018	Kim
D689,056 S	9/2013	Li	D811,411 S	2/2018	Moore
D690,704 S	10/2013	Padilla et al.	D819,038 S	5/2018	Dieble
D691,144 S	10/2013	Peters et al.	D819,603 S	6/2018	Pearce
D694,246 S	11/2013	Park et al.	D820,839 S	6/2018	Akana
D694,759 S	12/2013	Chang	D822,675 S	7/2018	Zhu
D696,256 S	12/2013	Piedra	D825,571 S	8/2018	Shannon, III
D696,669 S	12/2013	Akana	D829,722 S	10/2018	Kim
D696,864 S	1/2014	Phillips et al.	D832,269 S	10/2018	Cheng
D700,611 S	3/2014	Boldetti	D832,270 S	10/2018	Cheng
D703,672 S	4/2014	Kim et al.	D832,271 S	10/2018	Cheng
D706,783 S	6/2014	Almodova	10,117,505 B1	11/2018	Alvarez
8,746,449 B2	6/2014	Gallagher et al.	10,139,861 B2	11/2018	Gallagher et al.
D709,509 S	7/2014	Kim	D850,455 S	6/2019	Cheng
8,783,458 B2	7/2014	Gallagher et al.	D871,415 S *	12/2019	Lin ..... D14/440
D711,886 S	8/2014	Kerawala et al.	D881,895 S *	4/2020	Liu ..... D14/440
8,800,937 B1	8/2014	Lee et al.	D883,989 S *	5/2020	Cheng ..... D14/440
D712,412 S	9/2014	Bleau et al.	D885,399 S *	5/2020	Chen ..... D14/440
D712,413 S	9/2014	Fukai	D887,415 S *	6/2020	Claudepierre ..... D14/440
D715,052 S	10/2014	Fair	D888,718 S *	6/2020	Xu ..... D14/440
D715,785 S	10/2014	Jacob	D888,719 S *	6/2020	Moore ..... D14/440
D719,169 S	12/2014	McBroom	D889,474 S *	7/2020	Akana ..... D14/440
D720,355 S	12/2014	Akana et al.	D897,346 S *	9/2020	Claudepierre ..... D14/440
8,905,231 B2	12/2014	Couch, III	2003/0213886 A1	11/2003	Gilbert
D722,057 S	2/2015	Schoenith et al.	2005/0213298 A1	9/2005	Doherty et al.
8,960,421 B1	2/2015	Diebel	2007/0057140 A1	3/2007	Liou
D723,568 S	3/2015	Kim	2007/0177344 A1	8/2007	Hsia
D724,090 S	3/2015	Kim	2007/0254729 A1	11/2007	Freund
D727,916 S	4/2015	Melmon	2008/0029412 A1	2/2008	Ho
D727,917 S	4/2015	Yeo	2008/0167095 A1	7/2008	Kim
D727,919 S	4/2015	Melmon	2009/0159763 A1	6/2009	Kim
D729,252 S	5/2015	Smith et al.	2009/0178938 A1	7/2009	Palmer
D729,253 S	5/2015	Nyholm	2009/0194209 A1	8/2009	De Fiilippis
D729,256 S	5/2015	Feng	2009/0201254 A1	8/2009	Rais
D733,150 S	6/2015	Sirichai	2010/0230301 A1	9/2010	Fellig
D733,152 S	6/2015	Sirichai	2010/0294909 A1	11/2010	Hauser
D734,340 S	7/2015	Kim	2010/0300909 A1	12/2010	Hung
9,095,194 B2	8/2015	Hassett	2011/0227463 A1	9/2011	Hou
9,170,611 B2	10/2015	Gallagher et al.	2011/0266194 A1	11/2011	Bau
D743,170 S	11/2015	Akana et al.	2011/0284599 A1	11/2011	Sternick
D744,489 S	12/2015	Sirichai	2011/0290687 A1	12/2011	Han
D744,492 S	12/2015	Lin	2011/0297566 A1	12/2011	Gallagher
D749,069 S	2/2016	Senoff	2012/0012483 A1	1/2012	Fan
D749,083 S	2/2016	Senoff	2012/0075799 A1	3/2012	Pollex
D750,089 S	2/2016	Langhein	2012/0140396 A1	6/2012	Zeliff
D750,632 S *	3/2016	Diebel ..... D14/440	2012/0194448 A1	8/2012	Rothkopf
D752,052 S	3/2016	Park	2013/0088431 A1 *	4/2013	Ballagas ..... G06F 1/1626 345/168
D752,593 S *	3/2016	Diebel ..... G06F 1/1679 D14/440	2013/0140194 A1	6/2013	Han
D753,648 S	4/2016	Shyu	2013/0233762 A1	9/2013	Balaji
9,307,062 B2	4/2016	Kim	2013/0264459 A1	10/2013	McCosh
D764,472 S	8/2016	Corcoran	2014/0274215 A1 *	9/2014	Del Toro ..... G06F 1/1628 455/566
D765,662 S	9/2016	Kang	2014/0291175 A1	10/2014	Chung
D770,458 S	11/2016	Corcoran	2014/0291177 A1 *	10/2014	Ko ..... G06F 1/1626 206/45.23
D772,880 S	11/2016	Corcoran	2015/0001105 A1 *	1/2015	Nyholm ..... G06F 1/1628 206/45.2
9,489,054 B1	11/2016	Sumsion	2015/0041341 A1 *	2/2015	Marshall ..... G06F 1/1633 206/45.2
D773,470 S	12/2016	Akana	2015/0065208 A1 *	3/2015	Balaji ..... A45C 11/00 455/575.8
D779,485 S	2/2017	Akana	2015/0151887 A1 *	6/2015	Huang ..... A45C 11/00 224/191
9,578,941 B2	2/2017	MacLachlan			
D784,350 S	4/2017	Li			
D786,853 S	5/2017	Friedland			

(56)

**References Cited**

U.S. PATENT DOCUMENTS

2015/0237979 A1\* 8/2015 Huang ..... A45C 11/00  
 206/45.25  
 2015/0263776 A1\* 9/2015 Shyu ..... A45C 13/002  
 455/575.8  
 2015/0266610 A1\* 9/2015 Melmon ..... A45C 11/00  
 206/45.23  
 2015/0280768 A1\* 10/2015 Huang ..... H04M 1/7253  
 455/575.8  
 2015/0282354 A1\* 10/2015 Spollen ..... H05K 5/03  
 206/45.2  
 2015/0296060 A1 10/2015 Gu  
 2015/0296068 A1 10/2015 Chin  
 2016/0011628 A1 1/2016 Sato  
 2016/0187937 A1 6/2016 Ahee

OTHER PUBLICATIONS

JAVOedge Axis iPad Case for the iPad, JAVOedge, Jul. 8, 2010, youtube.com.

JAVOedge Fiber Axis iPad Case Review, Pat David, Aug. 13, 2010, patdavid.net.

Nanovision MIMO 710-S USB LCD display gets folding travel case/stand, Chris Davies, Aug. 4, 2009, slashgear.com.

EU Design Registration No. 002447318-0001, Apple Inc., Registered Apr. 15, 2014.

EU Design Registration No. 002447318-0002, Apple Inc., Registered Apr. 15, 2014.

EU Design Registration No. 002447318-0003, Apple Inc., Registered Apr. 15, 2014.

EU Design Registration No. 002447318-0004, Apple Inc., Registered Apr. 15, 2014.

\* cited by examiner

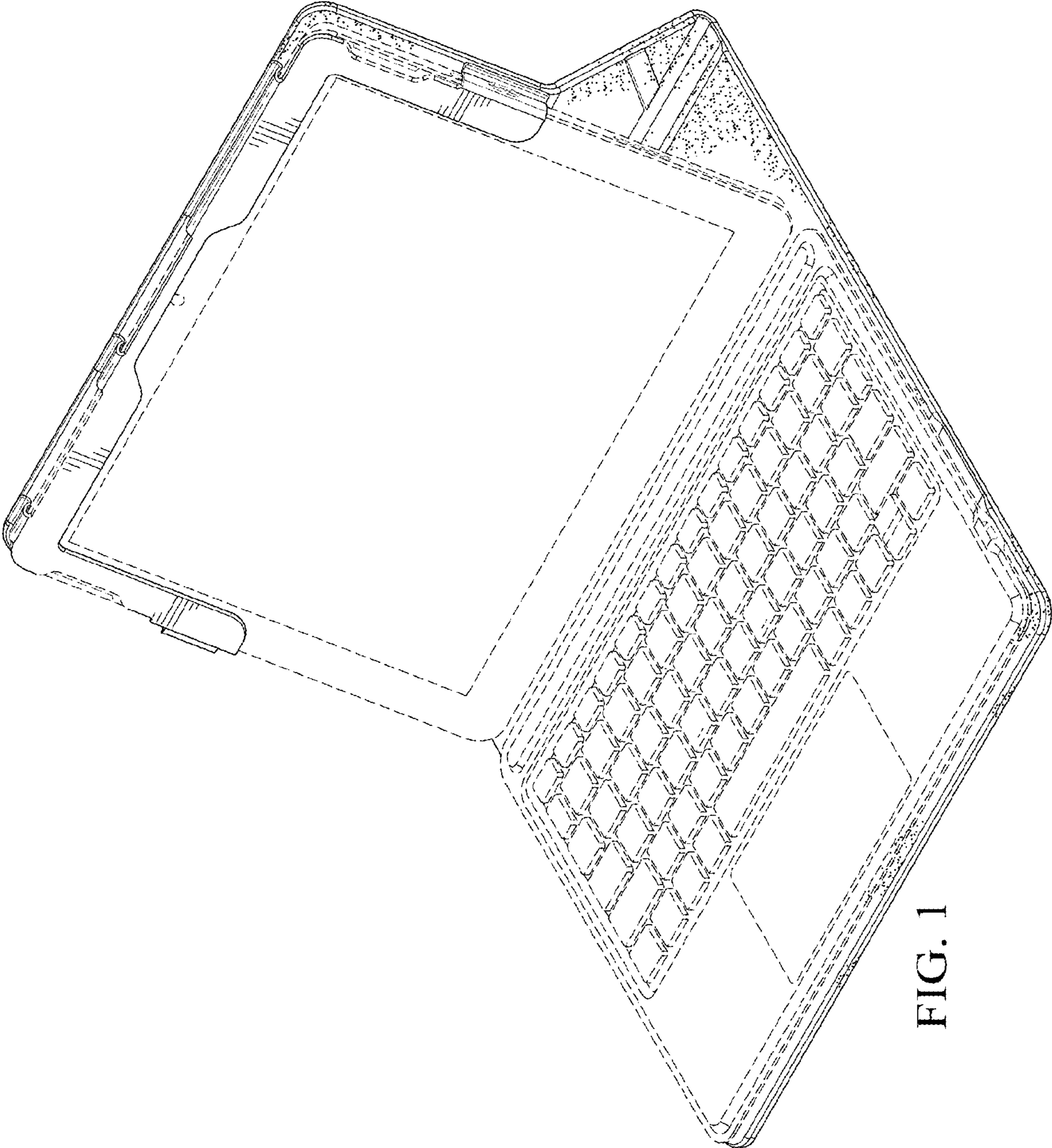


FIG. 1

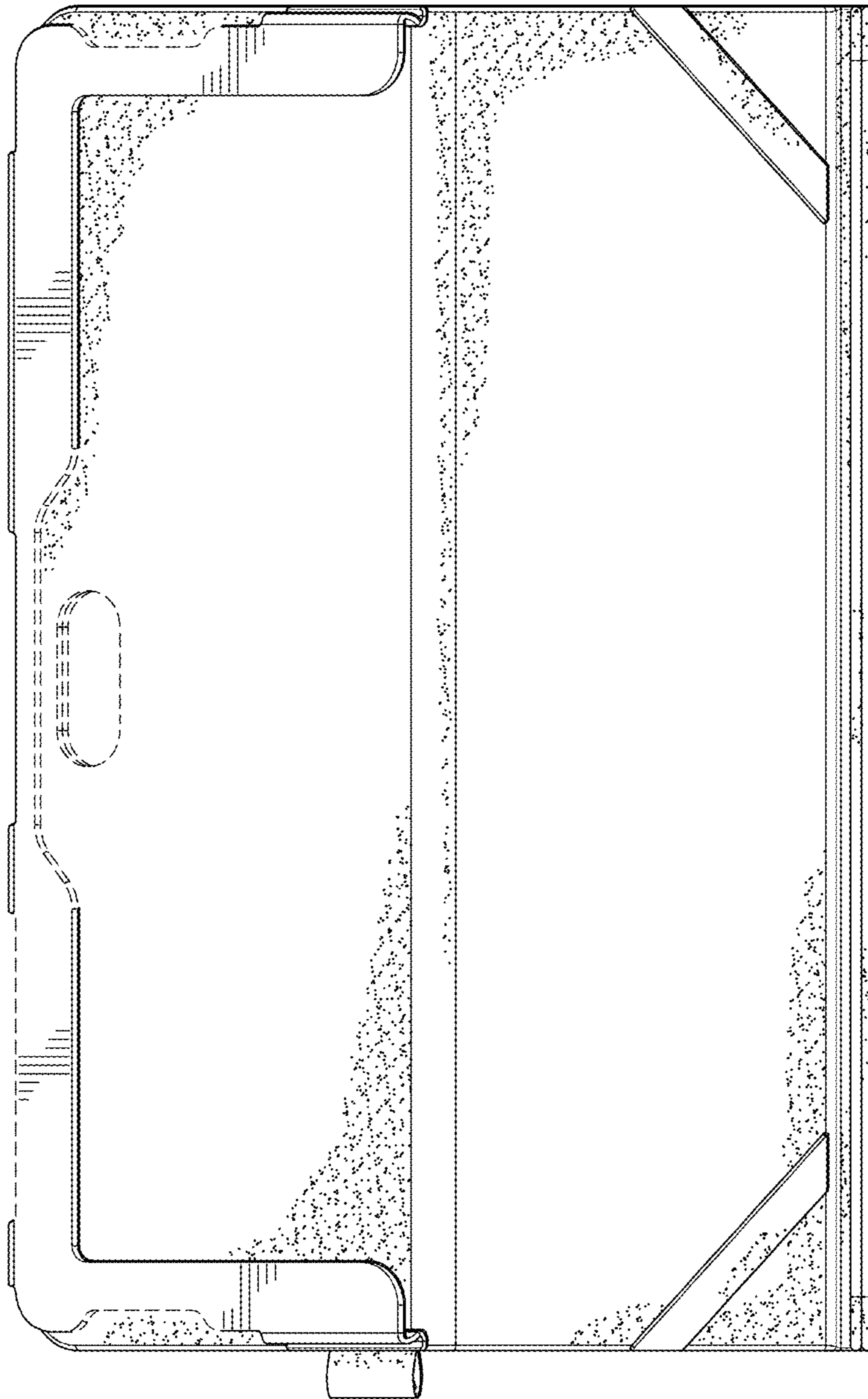


FIG. 2

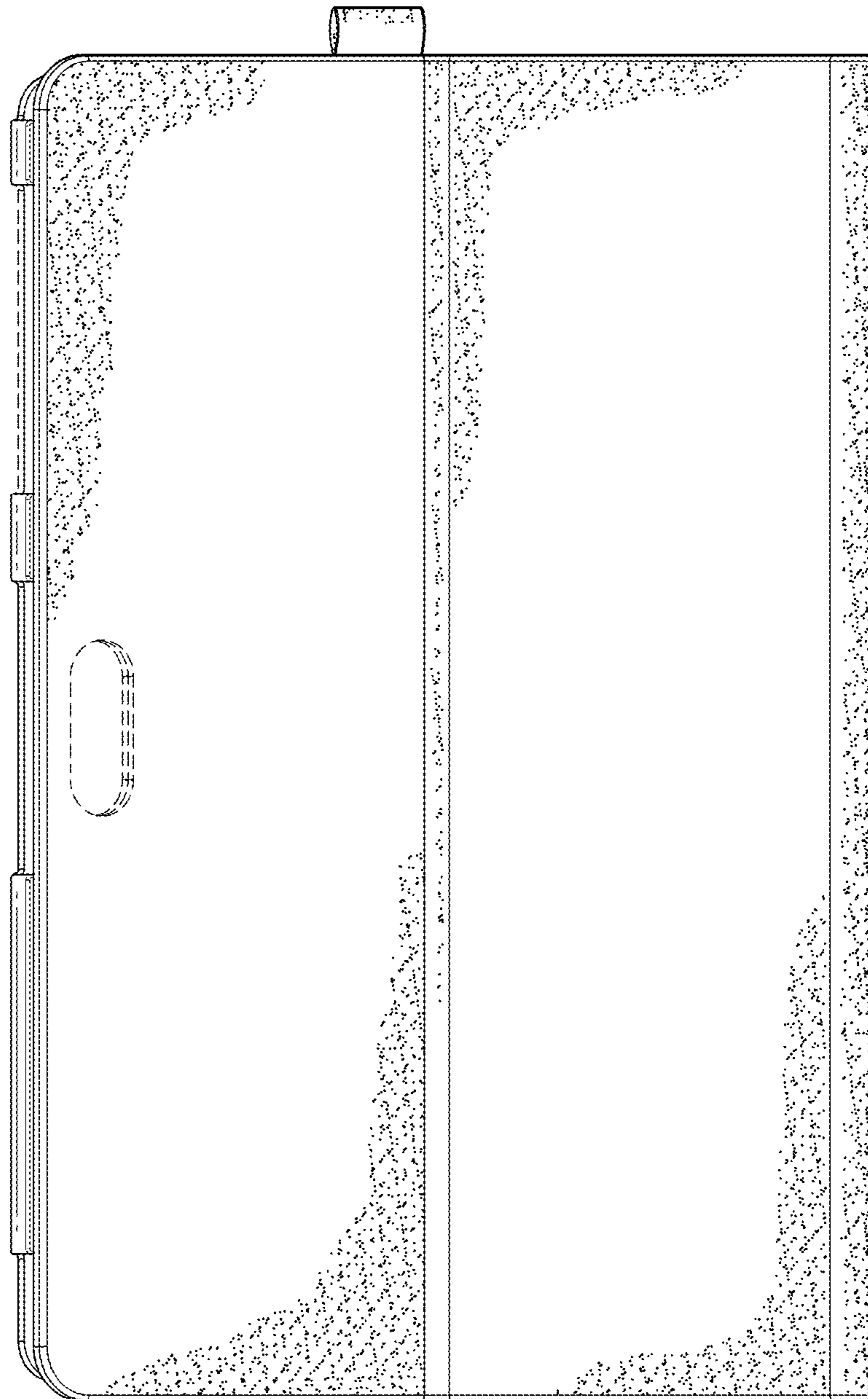


FIG. 3



FIG. 4

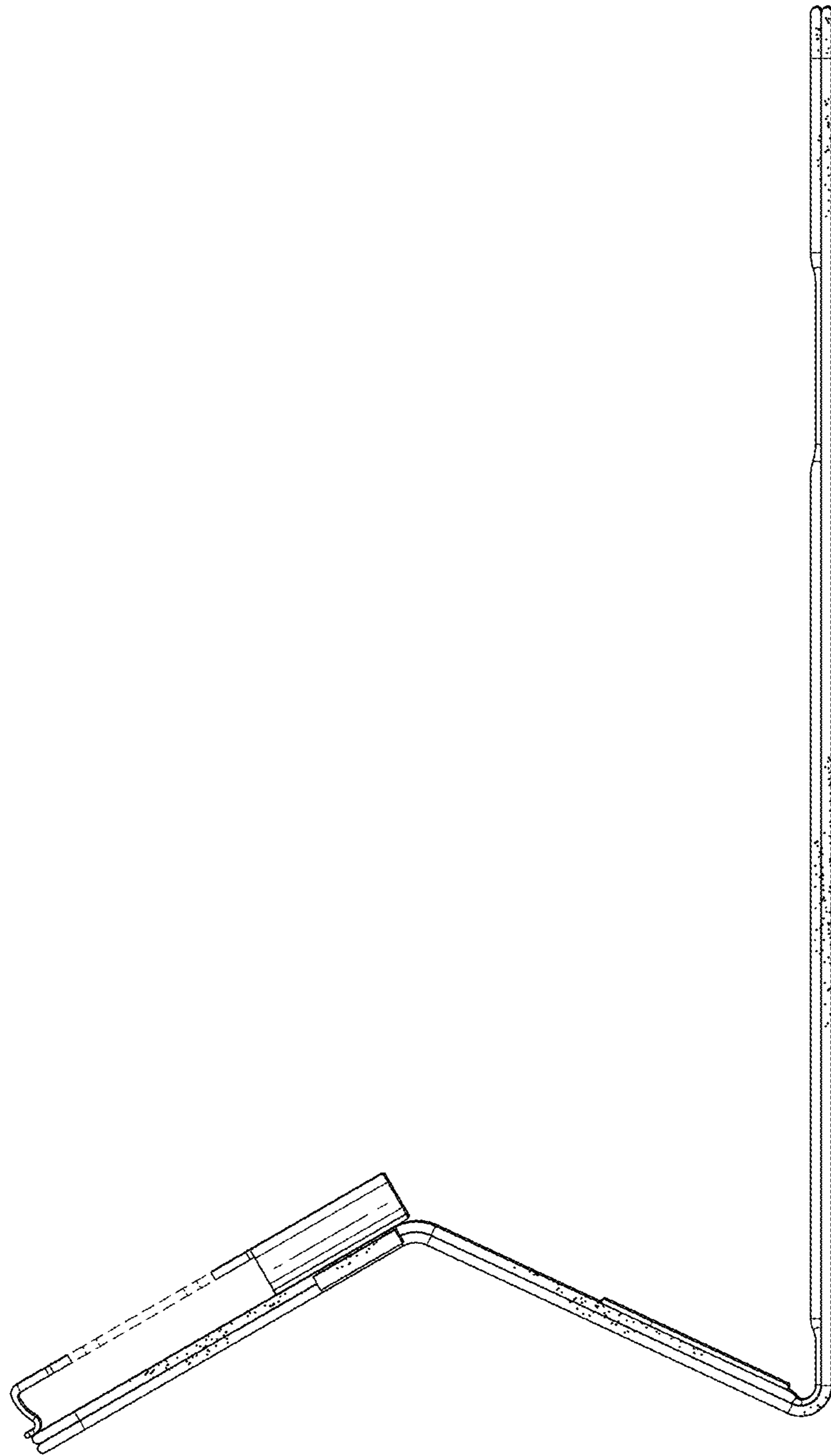


FIG. 5



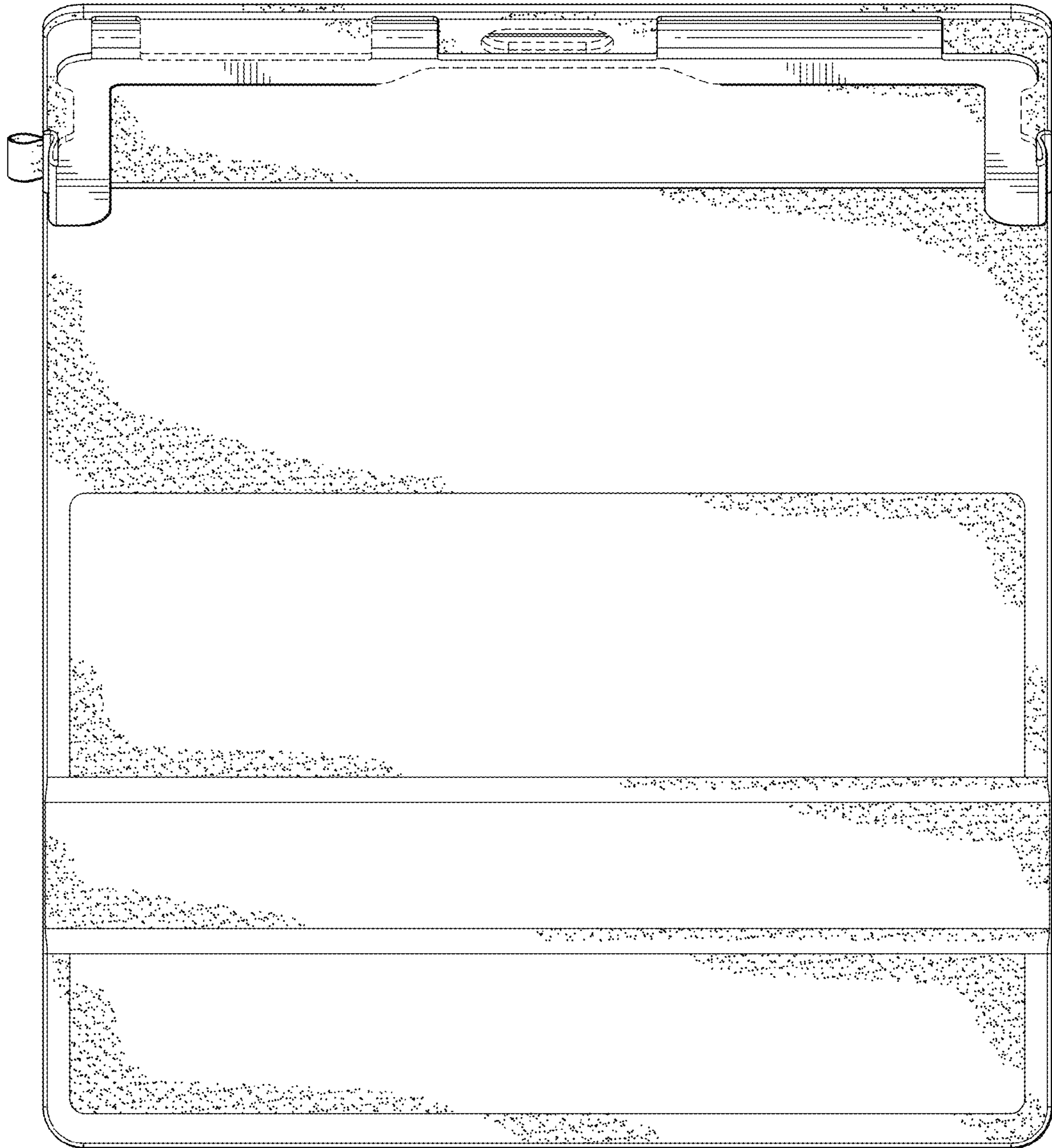


FIG. 6

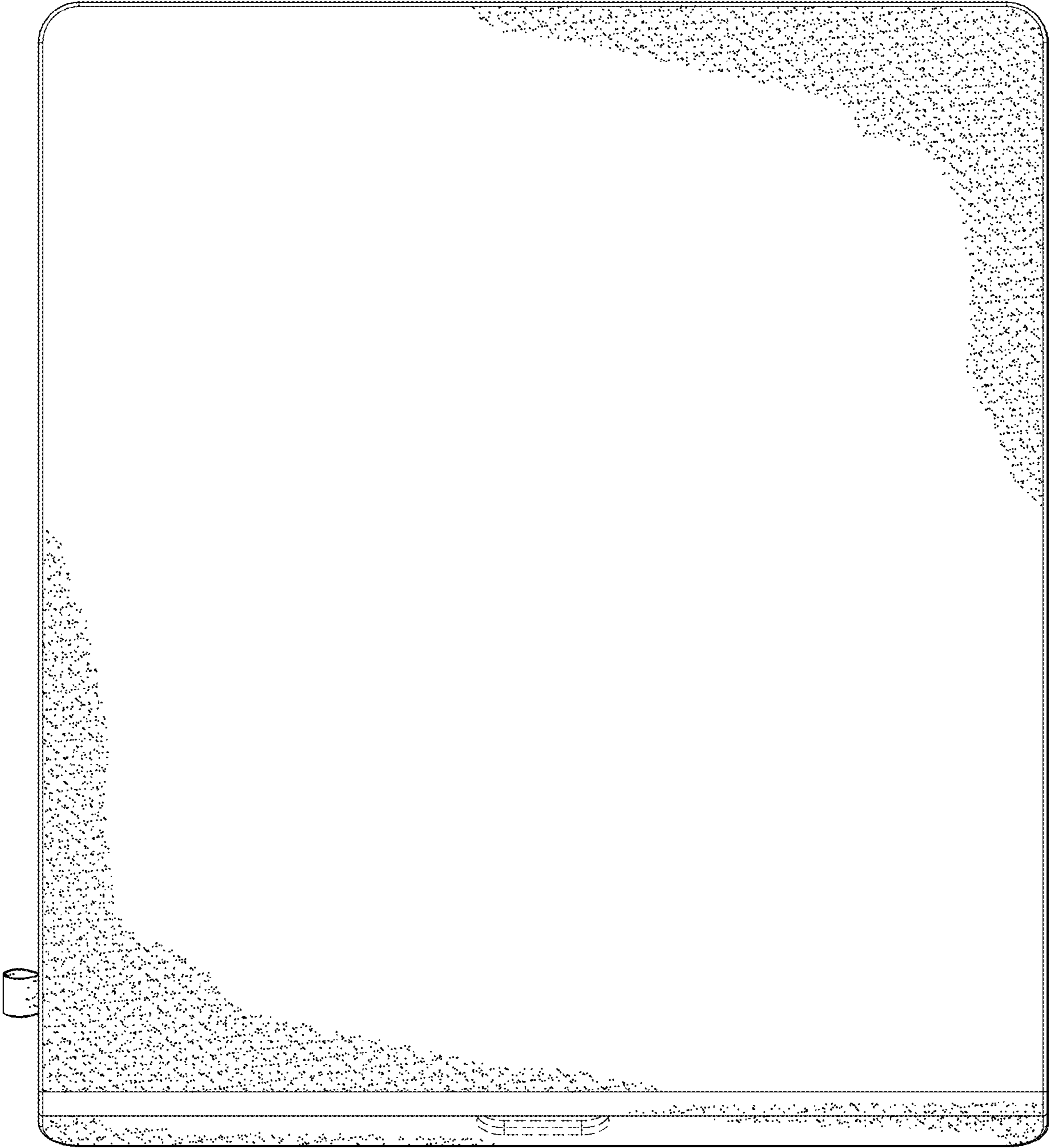


FIG. 7

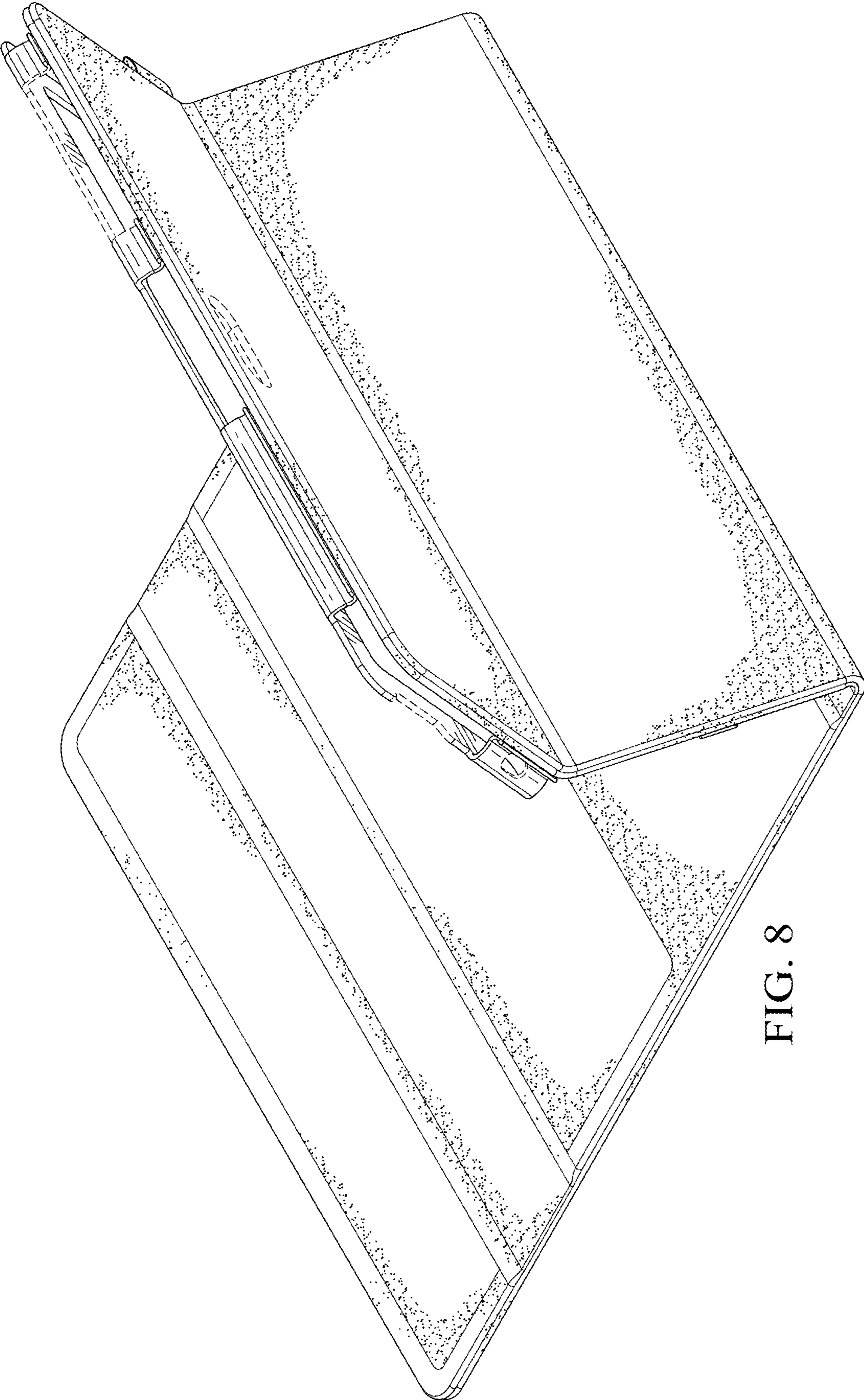


FIG. 8

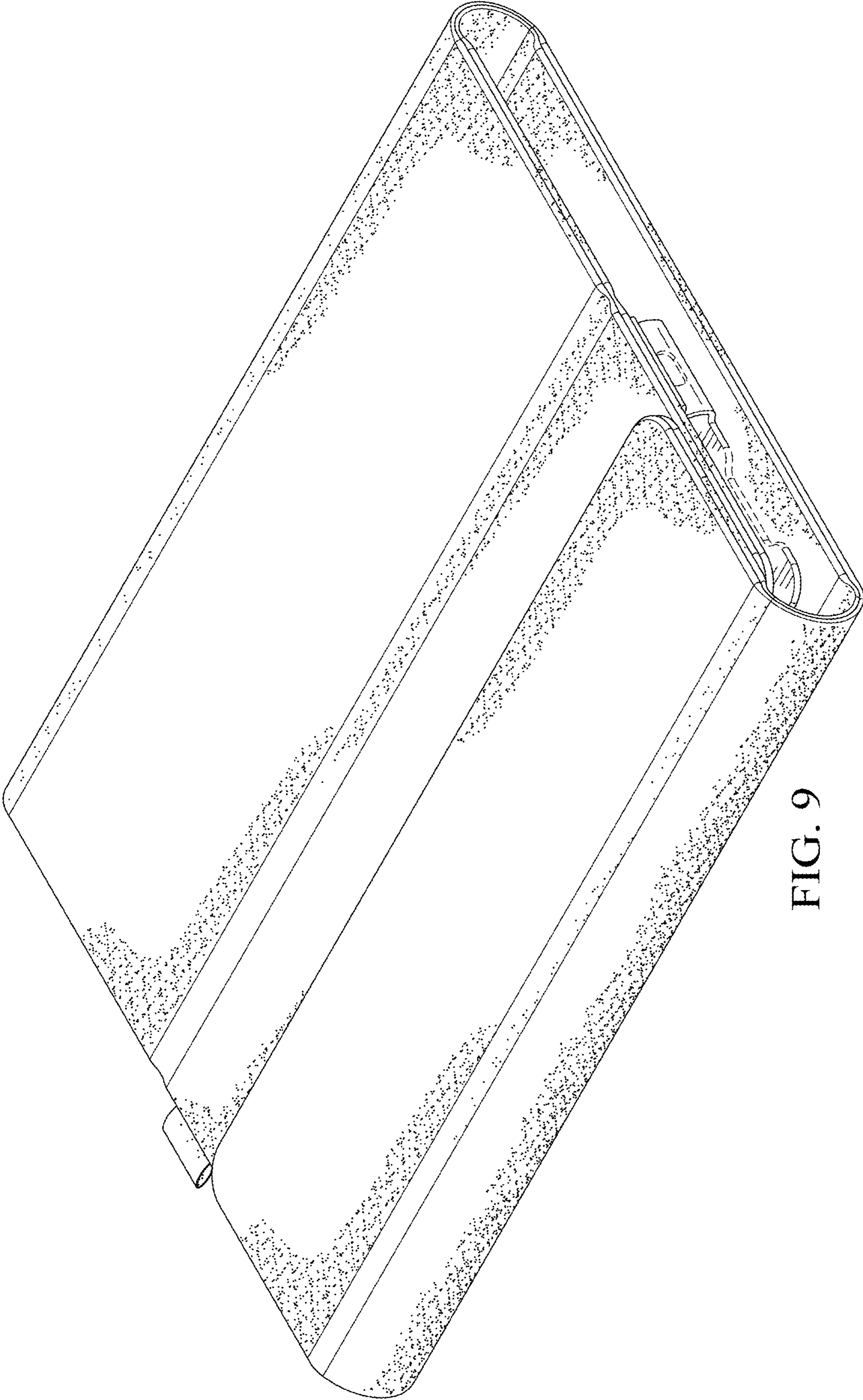


FIG. 9

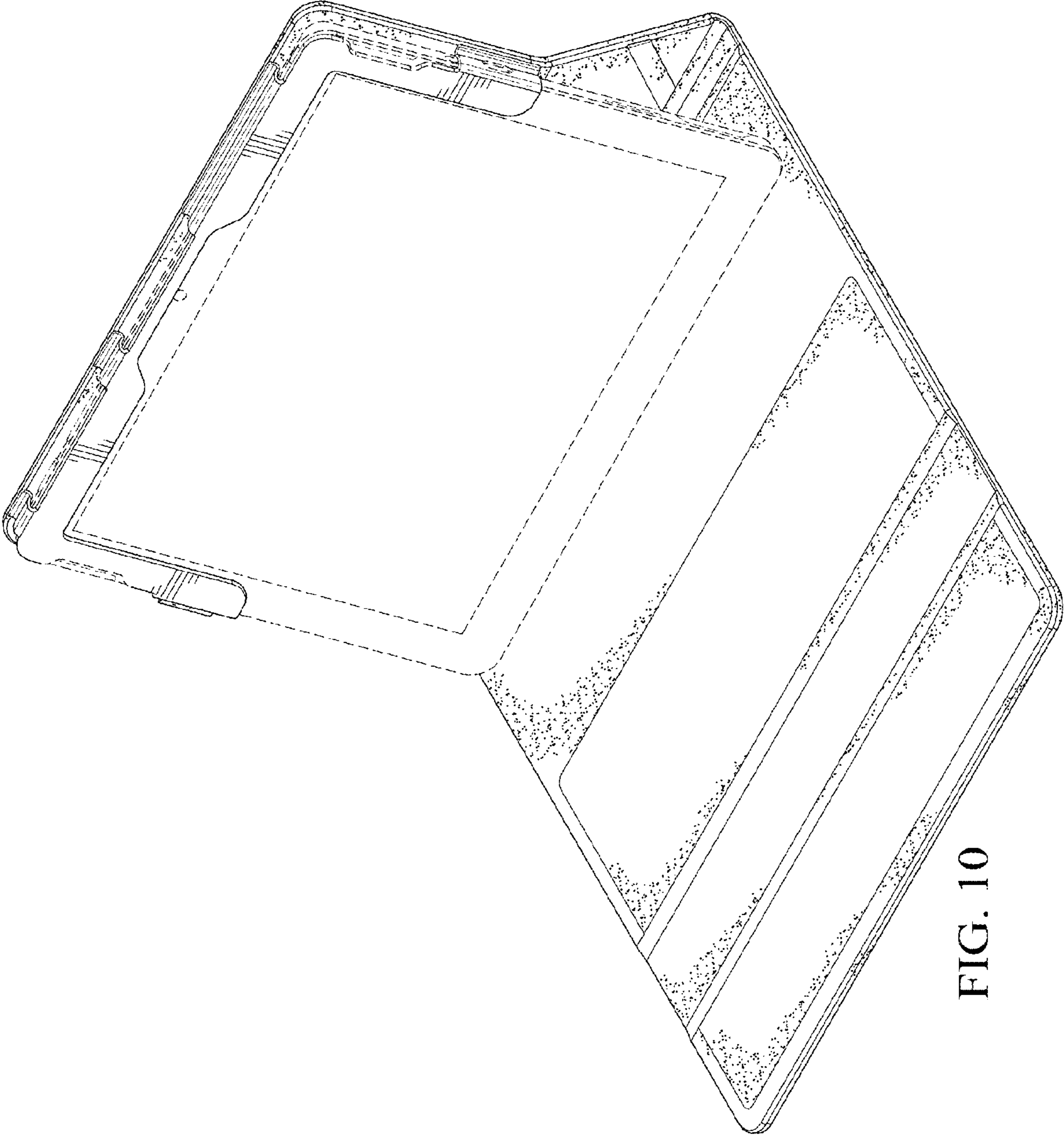


FIG. 10

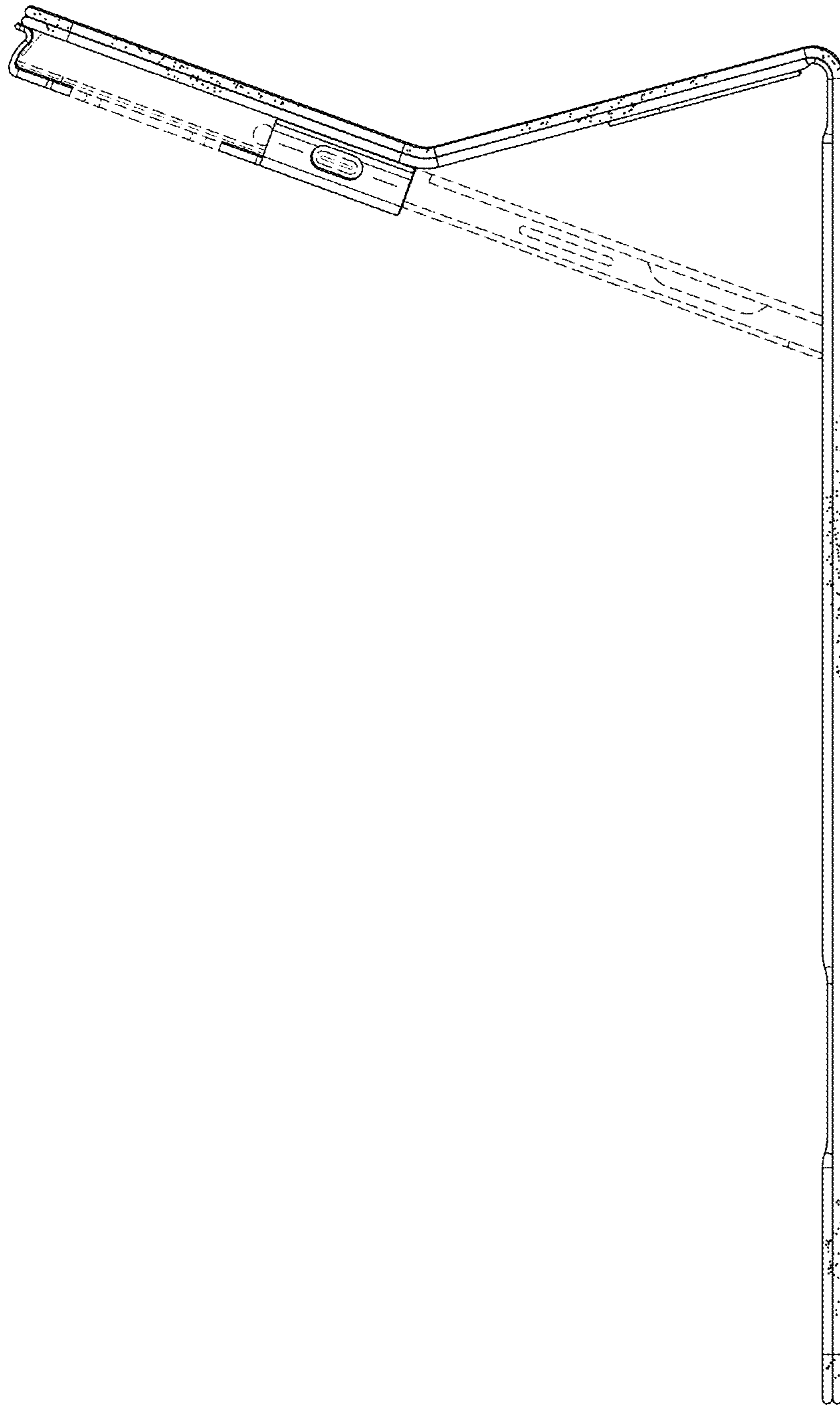


FIG. 11

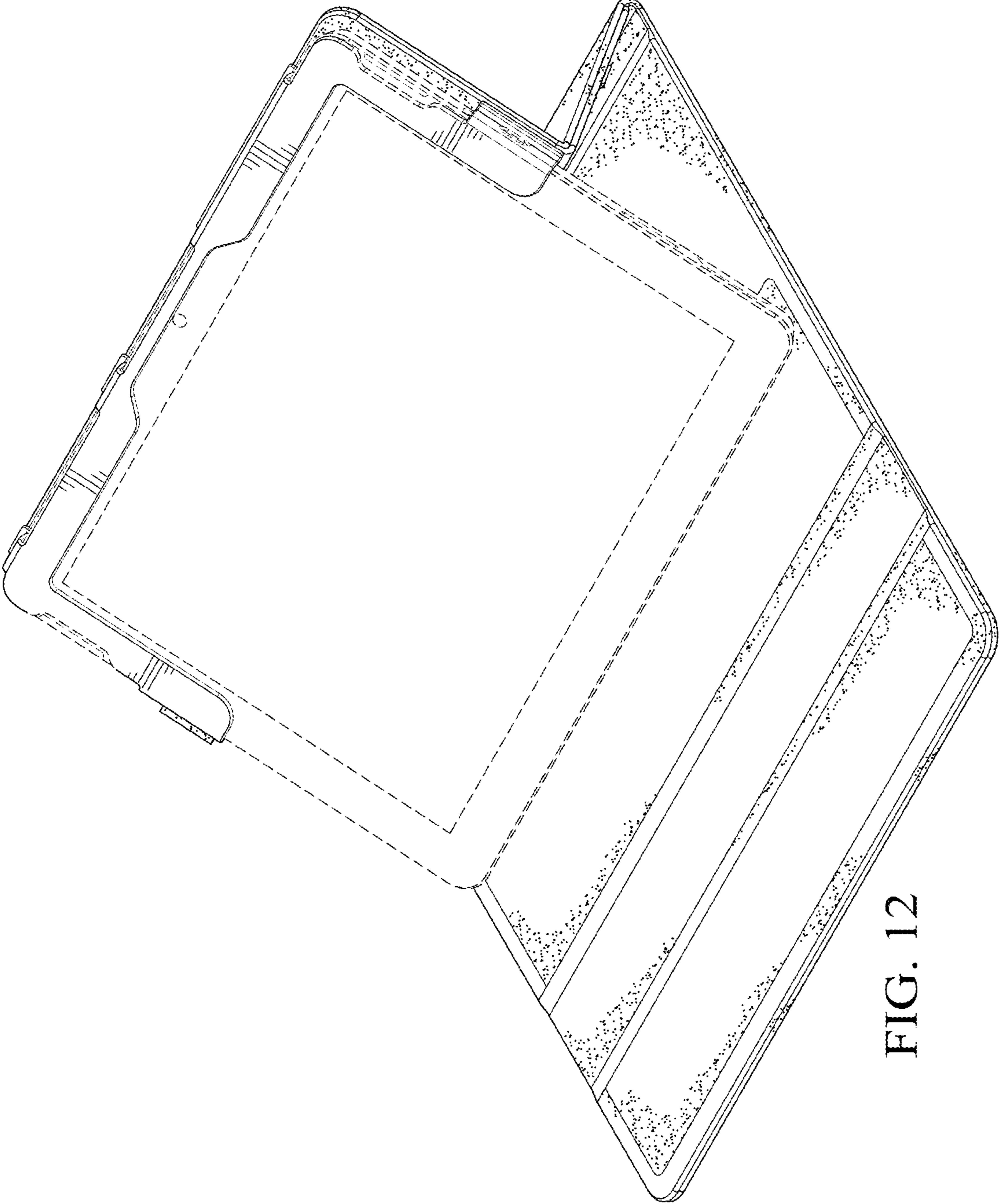


FIG. 12

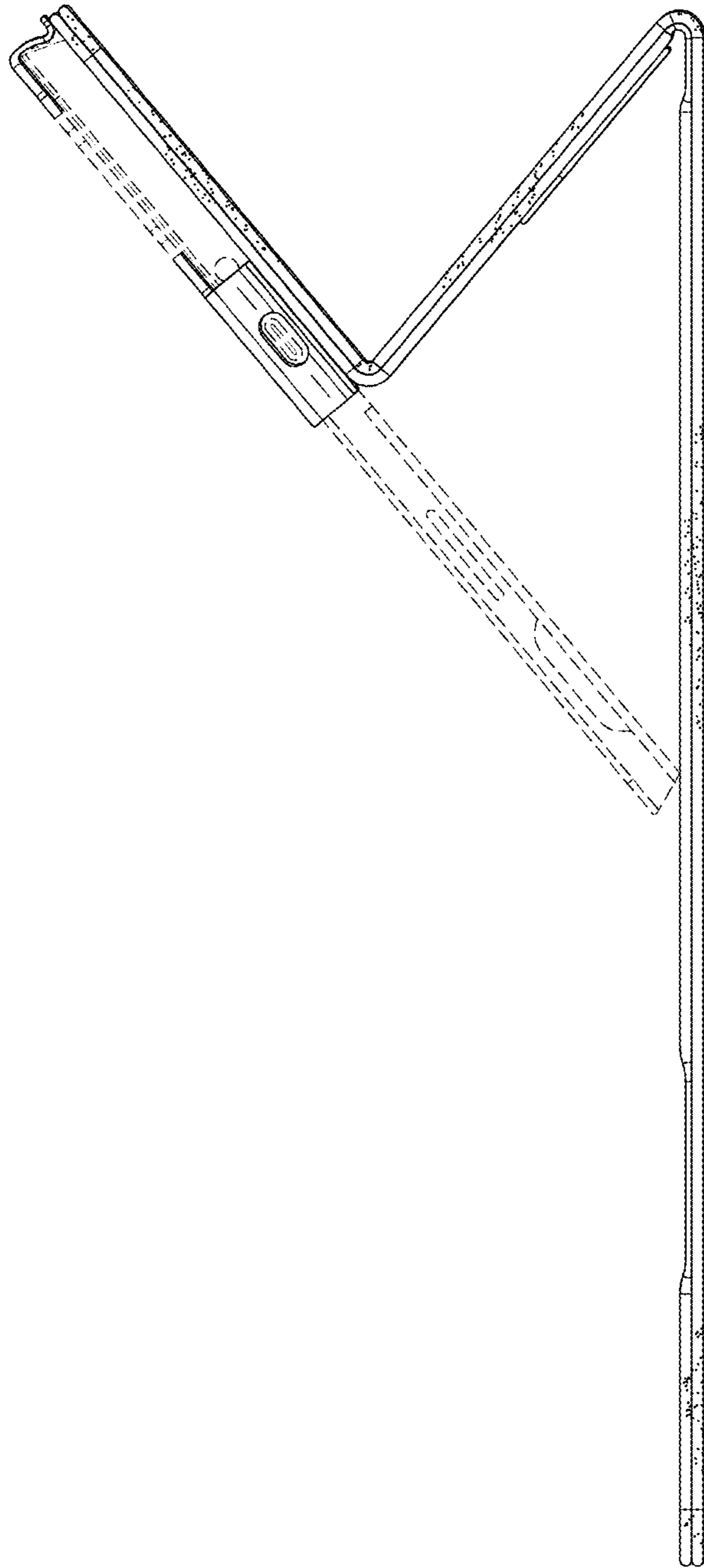


FIG. 13