

US00D909390S

(12) **United States Design Patent** (10) **Patent No.:** **US D909,390 S**
Kim (45) **Date of Patent:** **** Feb. 2, 2021**

(54) **CASE FOR TABLET COMPUTER**

- (71) Applicant: **SPIGEN KOREA CO., LTD.**, Seoul (KR)
- (72) Inventor: **Seung Joo Kim**, Seoul (KR)
- (73) Assignee: **SPIGEN KOREA CO., LTD.**, Seoul (KR)
- (**) Term: **15 Years**
- (21) Appl. No.: **29/704,042**
- (22) Filed: **Aug. 30, 2019**

Related U.S. Application Data

- (63) Continuation of application No. 29/659,270, filed on Aug. 7, 2018, now Pat. No. Des. 860,999.
- (51) **LOC (13) Cl.** **14-02**
- (52) **U.S. Cl.**
USPC **D14/440**
- (58) **Field of Classification Search**
USPC D14/440, 250, 447; 206/45.23, 320, 206/45.2; 361/679.55; 294/25; 224/218
CPC ... G06F 1/1628; G06F 1/1626; A47B 23/044; H04B 1/3888
See application file for complete search history.

References Cited

U.S. PATENT DOCUMENTS

D281,752 S	12/1985	Dickens et al.	
D364,040 S	11/1995	Suskind	
D414,976 S	10/1999	Su et al.	
D577,904 S	10/2008	Sasaki	
D597,052 S *	7/2009	Kim	D14/138 AB

(Continued)

OTHER PUBLICATIONS

“Amazon FreeTime Kid-Proof Case for Amazon Fire (Previous Generation—5th), Pink”, <https://www.amazon.com/Amazon-FreeTime-Kid-Proof-Previous-Generation/dp/B011VXQ2IS>, Earliest review date of Oct. 1, 2015, Downloaded on Apr. 26, 2019.

(Continued)

Primary Examiner — Cynthia R Underwood

(74) *Attorney, Agent, or Firm* — Heedong Chae; Lucem, PC

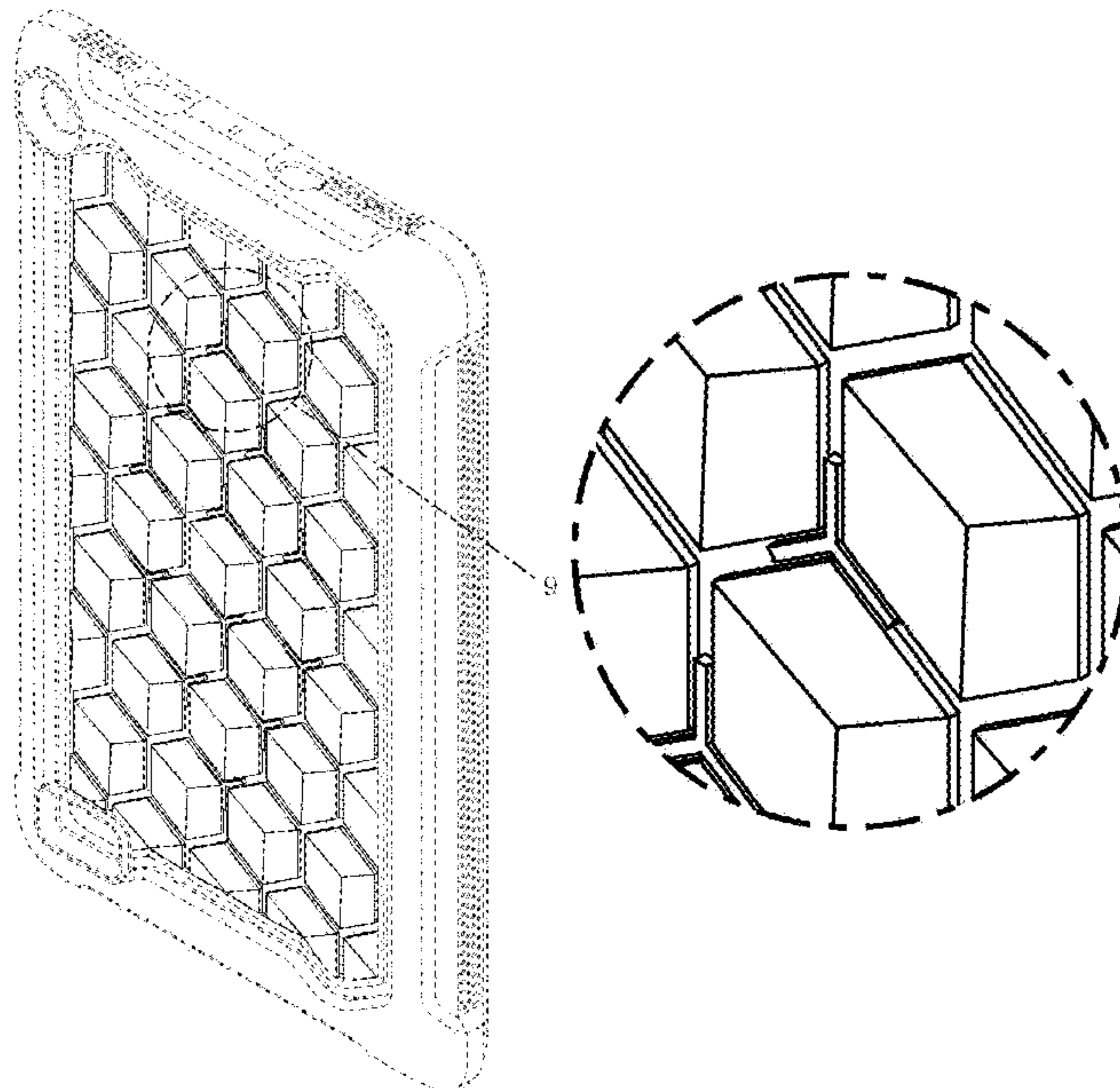
CLAIM

(57) The ornamental design for a case for tablet computer, as shown and described.

DESCRIPTION

FIG. 1 is a front perspective view of a case for tablet computer showing my new design;
 FIG. 2 is a rear perspective view thereof;
 FIG. 3 is a front elevational view thereof;
 FIG. 4 is a rear elevational view thereof;
 FIG. 5 is a left side elevational view thereof;
 FIG. 6 is a right side elevational view thereof;
 FIG. 7 is a top plan view thereof;
 FIG. 8 is a bottom plan view thereof;
 FIG. 9 is an enlarged detail view of the encircled region from FIG. 2;
 FIG. 10 is a cross-sectional view of the case for tablet computer taken in the direction of line 10-10 of FIG. 4; and,
 FIG. 11 is a cross-sectional view of the case for tablet computer taken in the direction of line 11-11 of FIG. 4.
 The dash-dot broken line circle in FIG. 2 delineates a portion of the case for tablet computer that is part of the claimed design and that is shown on an enlarged scale in FIG. 9. The broken lines throughout the drawing figures depict portions of the case for tablet computer that form no part of the claimed design. The broken lines and regions bounded by broken lines form no part of the claimed design.

1 Claim, 11 Drawing Sheets



(56)

References Cited

U.S. PATENT DOCUMENTS

D609,230 S 2/2010 Ferrari et al.
 D633,089 S 2/2011 Hsu
 D634,314 S * 3/2011 Fahrenedorff D14/250
 D649,144 S * 11/2011 Fathollahi D14/250
 D670,279 S 11/2012 Veltz
 D675,604 S 2/2013 Limber
 D683,338 S 5/2013 Wilson et al.
 D684,150 S 6/2013 Goradesky et al.
 D685,358 S * 7/2013 Armstrong D14/250
 D685,361 S 7/2013 Goradesky et al.
 D685,779 S 7/2013 Schriefer
 D689,851 S 9/2013 Chang
 D690,292 S * 9/2013 Bibla D14/250
 D694,742 S 12/2013 Pan
 D694,759 S 12/2013 Chang et al.
 D696,234 S 12/2013 Wright
 D697,060 S 1/2014 Yang
 D697,504 S 1/2014 Yang
 D703,649 S 4/2014 Wikel et al.
 D706,754 S 6/2014 Goradesky
 D709,057 S 7/2014 Wilson et al.
 D709,063 S 7/2014 Chang
 D709,064 S 7/2014 Chang
 D709,485 S 7/2014 Bishop
 D709,510 S 7/2014 Soare
 D709,869 S 7/2014 Witter et al.
 D715,785 S * 10/2014 Jacob D14/250
 D716,280 S 10/2014 Macrina et al.
 D716,294 S 10/2014 Park
 D719,144 S * 12/2014 Eulette D14/250
 D721,686 S * 1/2015 Jacob D14/250
 D724,093 S 3/2015 Dong
 D728,549 S 5/2015 Su
 D733,154 S 6/2015 Armstrong et al.
 D733,696 S * 7/2015 Burgett D14/250
 D742,868 S 11/2015 Odhwani et al.
 D742,869 S * 11/2015 Odhwani D14/250
 D745,524 S 12/2015 Hung
 D746,801 S 1/2016 Pan
 D750,610 S 3/2016 Chen
 D755,772 S 5/2016 Sasaki et al.
 D762,631 S 8/2016 Kim
 D762,633 S 8/2016 Fife
 D763,854 S 8/2016 Domke
 D766,249 S 9/2016 Veltz et al.
 D767,551 S 9/2016 Sasaki et al.
 D767,552 S 9/2016 Sasaki et al.
 D768,123 S * 10/2016 Armstrong D14/250
 D769,855 S 10/2016 Deng
 D770,458 S * 11/2016 Corcoran D14/440
 D771,027 S 11/2016 Prstojevich et al.
 D772,211 S 11/2016 Poon et al.
 D772,288 S * 11/2016 Montes D14/488
 D775,100 S 12/2016 Teruyama
 D775,198 S * 12/2016 Montes D14/489
 D775,617 S 1/2017 Samson
 D776,104 S 1/2017 Tien
 D776,105 S 1/2017 Han
 D777,727 S 1/2017 Maicon
 D779,471 S 2/2017 Tien
 D780,167 S 2/2017 Tien
 D780,741 S 3/2017 Yin
 D783,588 S 4/2017 Chang
 D785,612 S 5/2017 Kim
 D786,225 S 5/2017 Kim
 D786,226 S 5/2017 Kim
 D786,853 S 5/2017 Friedland et al.
 D787,497 S 5/2017 Friedland et al.
 D789,937 S 6/2017 Zhang
 D793,383 S 8/2017 Cai
 D794,006 S 8/2017 Dong
 D794,625 S 8/2017 Armstrong et al.
 D794,626 S 8/2017 Armstrong et al.
 D795,839 S 8/2017 Zhang
 D798,287 S 9/2017 Wright et al.

D800,103 S 10/2017 Andre et al.
 D800,712 S 10/2017 Lai et al.
 D801,976 S 11/2017 Li
 D802,576 S 11/2017 Ahn
 D802,577 S 11/2017 Ahn
 D806,082 S * 12/2017 Armstrong D14/440
 D806,692 S 1/2018 Jia
 D808,374 S 1/2018 Lee et al.
 D808,378 S 1/2018 Witter et al.
 D809,498 S 2/2018 Ahn
 D811,379 S 2/2018 Armstrong et al.
 D811,410 S 2/2018 Burmester
 D811,412 S 2/2018 McCurdy
 D812,600 S 3/2018 Altaras
 D816,075 S 4/2018 Cavenagh et al.
 D817,334 S 5/2018 Fenton et al.
 D825,571 S 8/2018 Shannon, III
 D831,638 S 10/2018 Kim
 D832,269 S 10/2018 Cheng
 D836,642 S 12/2018 Hong
 D837,796 S 1/2019 Kim et al.
 D840,990 S 2/2019 Kim
 D840,991 S 2/2019 Kim
 D841,011 S 2/2019 Mecchella et al.
 D841,012 S 2/2019 Kim et al.
 D841,013 S 2/2019 Ferren et al.
 D841,639 S 2/2019 Liao
 D843,363 S 3/2019 Yan
 D844,621 S * 4/2019 Chen D14/440
 D845,290 S 4/2019 Brubaker et al.
 D847,806 S 5/2019 Kim
 D849,735 S 5/2019 Fang
 D850,454 S 6/2019 Kim et al.
 D851,648 S * 6/2019 Tan D14/440
 D851,652 S 6/2019 Lee et al.
 D853,043 S * 7/2019 Turkbash D29/108
 D853,655 S * 7/2019 Turkbash D29/108
 D860,687 S * 9/2019 Parikh D6/655.1
 D860,999 S * 9/2019 Kim D14/440
 D861,665 S * 10/2019 Li D14/250
 D862,990 S * 10/2019 Goodman D7/602
 D868,053 S * 11/2019 Gao D14/250
 D868,071 S * 11/2019 Liu D14/440
 D868,788 S * 12/2019 Weng D14/440
 D868,789 S * 12/2019 Weng D14/440
 D868,791 S * 12/2019 Weng D14/440
 D869,353 S * 12/2019 Palovaara D12/163
 D871,111 S * 12/2019 Parikh D6/655.1
 D872,093 S * 1/2020 Xu D14/440
 10,557,460 B2 * 2/2020 Webster F03G 7/08
 10,557,464 B2 * 2/2020 Scancarello F04C 29/02
 D884,709 S * 5/2020 Cheng D14/440
 D885,399 S * 5/2020 Chen D14/440
 D892,803 S * 8/2020 Armstrong D14/440
 2012/0325720 A1 12/2012 Tages
 2013/0271897 A1 10/2013 Limber
 2014/0150658 A1 * 6/2014 Prax B01D 46/10
 96/74
 2015/0068934 A1 3/2015 Armstrong
 2015/0270734 A1 9/2015 Davison et al.
 2016/0021996 A1 1/2016 Tien
 2016/0219999 A1 8/2016 Chang
 2017/0045920 A1 2/2017 Armstrong et al.
 2019/0142992 A1 * 5/2019 Davidson B01J 20/3085
 424/445
 2019/0144163 A1 * 5/2019 Lim B65D 19/04
 108/53.5
 2019/0149808 A1 * 5/2019 Ng H04N 13/307
 348/59
 2019/0275714 A1 * 9/2019 Kanoh B29C 45/14065

OTHER PUBLICATIONS

“Poetic TurtleSkin Fire 7 2015 Rugged Case Cover with Heavy Duty Protection Silicone and Sound-Amplification Feature for Amazon Fire 7 5th Gen (Previous Generation—5th) 2015 Release

(56)

References Cited

OTHER PUBLICATIONS

Black”, <https://www.amazon.com/Poetic-TurtleSkin-Protection-Sound-Amplification-Generation/dp/B0160KTTD2>, Earliest review date of Nov. 18, 2015, Downloaded on Apr. 26, 2019.

“Fintie iPad 9.7 2018 2017 / iPad Air 2 / iPad Air Case—[Honey Comb Series] Light Weight Anti Slip Kids Friendly Shock Proof Silicone Protective Cover for iPad 6th / 5th Gen, iPad Air 1 2, Black”, <https://www.amazon.com/Fintie-iPad-2018-2017-Case/dp/B06Y665PL6>, Earliest review date of May 6, 2017, Downloaded on Apr. 29, 2019.

“Bear Motion Case for All-New Fire 7 Tablet with Alexa—Anti Slip Shockproof Light Weight Kids Friendly Protective Case for Amazon Kindle Fire 7 2017 (Only for 7th Generation 2017 Model) (Red)”, <https://www.amazon.com/Bear-Motion-All-New-Tablet-Alexa/dp/B071L7WS87>, Earliest review date of Jun. 9, 2017, Downloaded on Apr. 26, 2019.

“Amazon Kid-Proof Case for Amazon Fire HD 8 Tablet (Compatible with 7th and 8th Generation Tablets, 2017-2018 Releases), Yellow”, <https://www.amazon.com/Amazon-Kid-Proof-Compatible-Generation-2017-2018/dp/B07CG7HJ5F>, Earliest review date of Jun. 12, 2017, Downloaded on Apr. 25, 2019.

“MoKo Case for All-New Amazon Fire 7 Tablet (7th Generation, 2017 Release Only)—[Honey Comb Series] Light Weight Shock Proof Soft Silicone Back Cover [Kids Friendly] for Fire 7, Blue”,

<https://www.amazon.com/MoKo-All-New-Amazon-Generation-Release/dp/B0711TTWYD>, Earliest review date of Jun. 14, 2017, Downloaded on Apr. 25, 2019.

“Fintie Silicone Case for all-new Amazon Fire 7 Tablet (7th Generation, 2017 Release)—[Honey Comb Upgraded Version] [Kids Friendly] Light Weight [Anti Slip] Shock Proof Protective Cover, Blue”, <https://www.amazon.com/Fintie-Silicone-all-new-Generation-Release/dp/B0725SDWHR>, Earliest review date of Jun. 15, 2017, Downloaded on Apr. 25, 2019.

“Fire 7 2017 Case Cover-TIRIN Light Weight Shock Proof, Skid Proof Soft Silicone Back Cover Case for Fire 7 2017 (Do not Fit Fire 7 2015), Purple”, <https://www.amazon.com/Cover-TIRIN-Light-Weight-Silicone-Purple/dp/B07CVCLZJK>, Earliest review date of Jun. 5, 2018, Downloaded on Apr. 26, 2019.

“AVAWO Silicone Case for Amazon Fire 7 Tablet with Alexa (7th Generation, 2017 Release only)—Anti Slip Shockproof Light Weight Protective Cover, Purple”, <https://www.amazon.com/AVAWO-Silicone-Amazon-Generation-Release/dp/B07CHNBT2Y>, Earliest review date of Jun. 8, 2018, Downloaded on Apr. 26, 2019.

“BMOUO Silicone Case for All-New Amazon Fire 7 Tablet (7th Generation, 2017 Release)—[Upgraded Comb Version] [Kids Friendly] Light Weight [Anti Slip] Shock Proof Protective Cover, Purple”, <https://www.amazon.com/BMOUO-Silicone-All-New-Generation-Release/dp/B07BXCR2FN>, Earliest review date of Jun. 23, 2018, Downloaded on Apr. 26, 2019.

* cited by examiner

FIG. 1

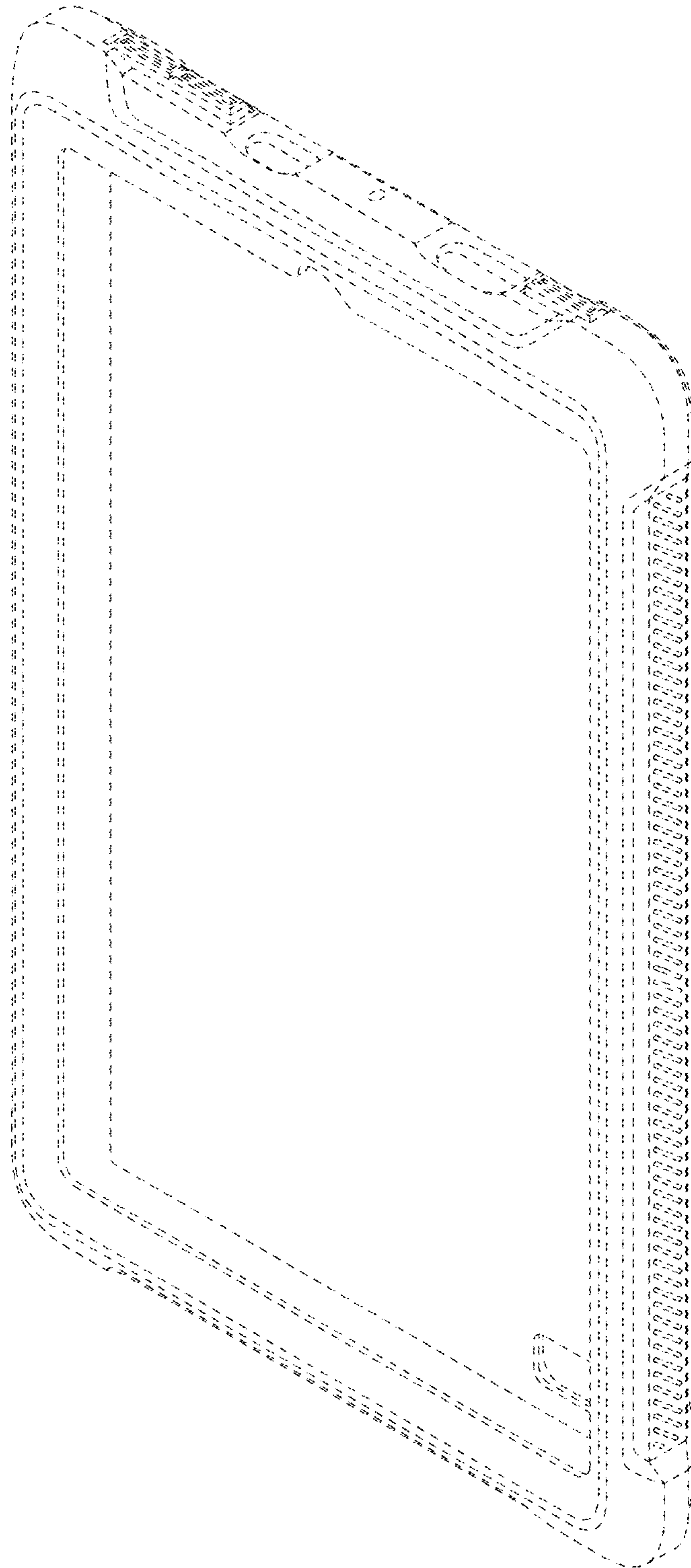


FIG. 2

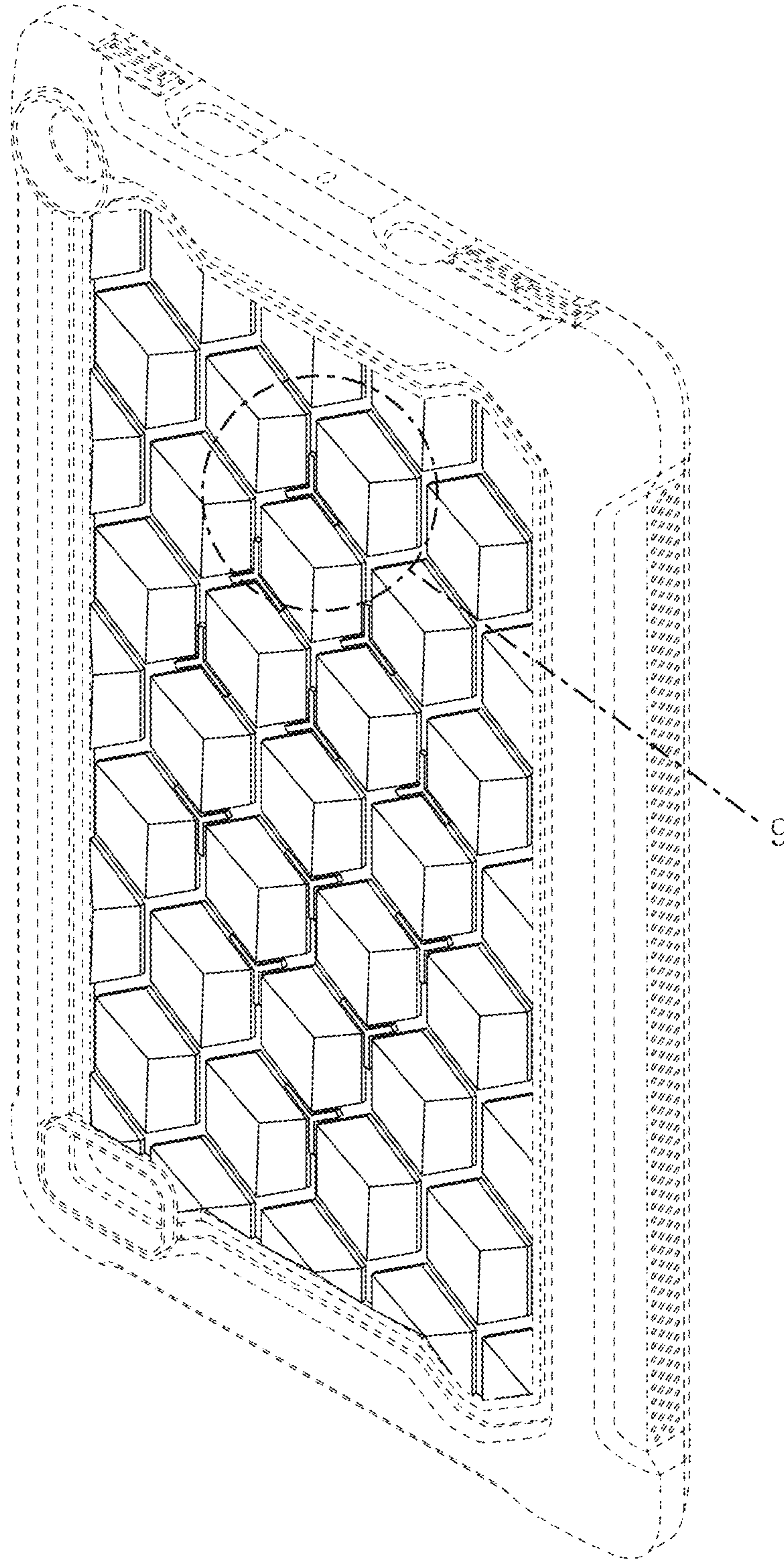


FIG. 3

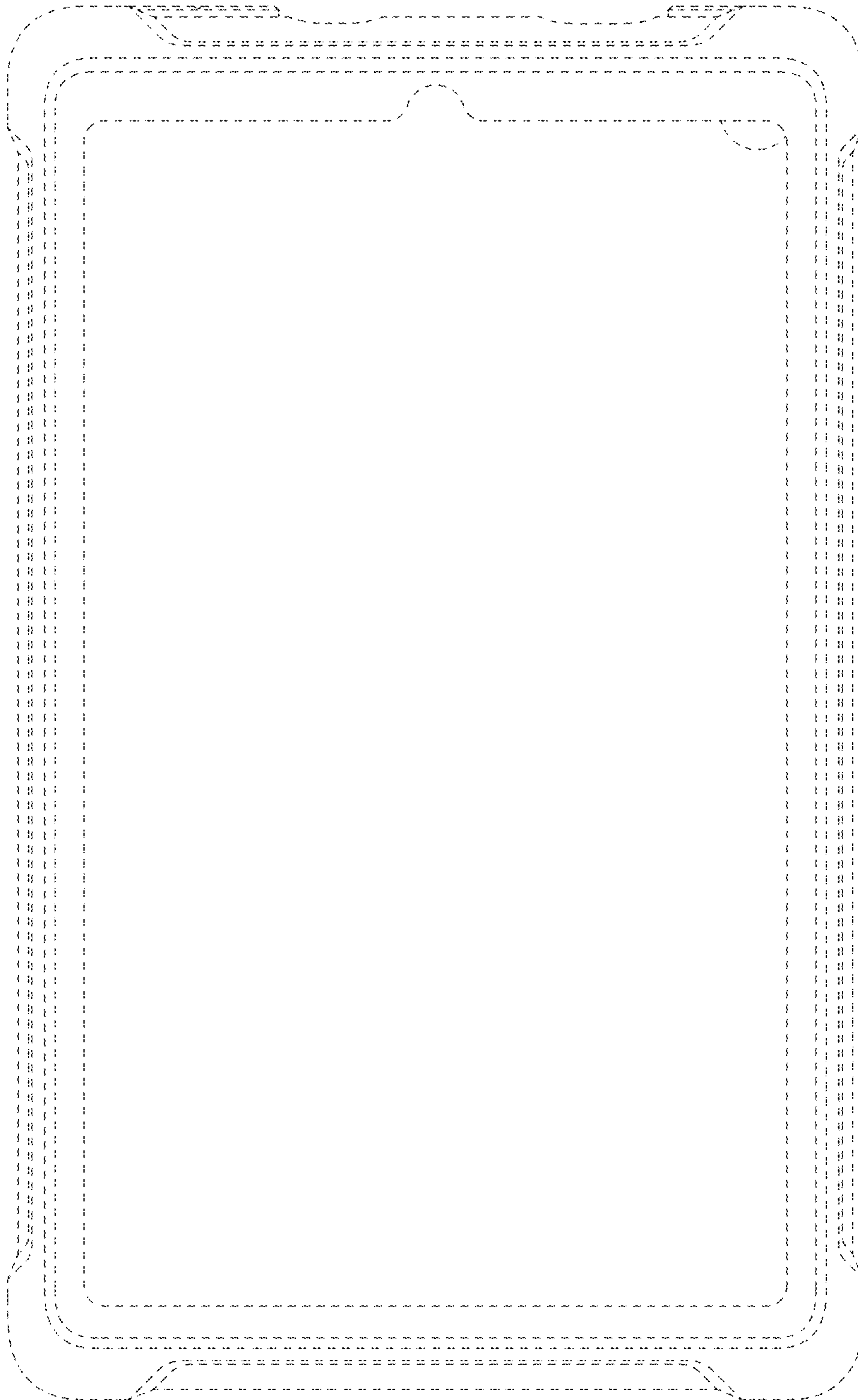


FIG. 4

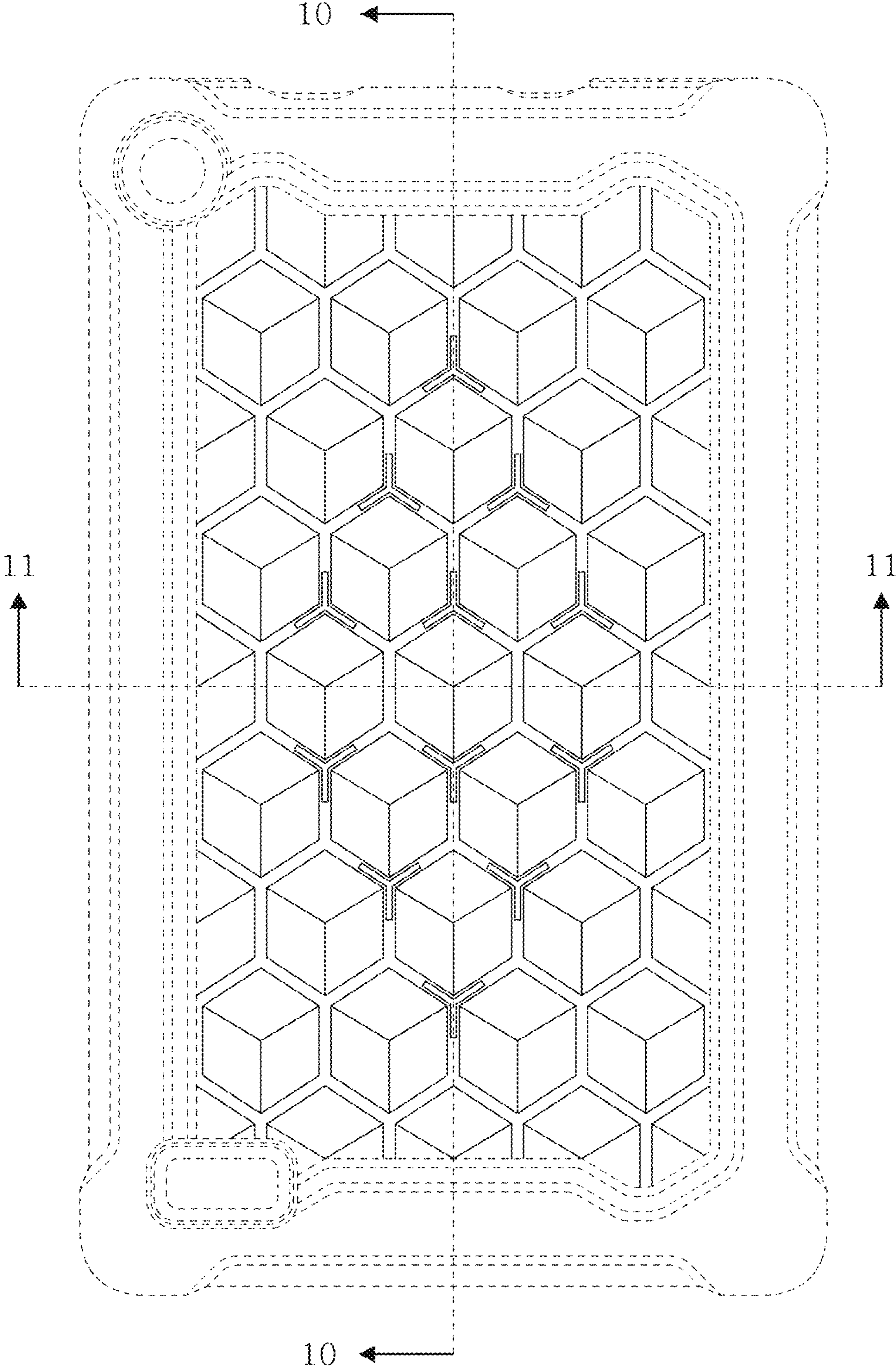


FIG. 5

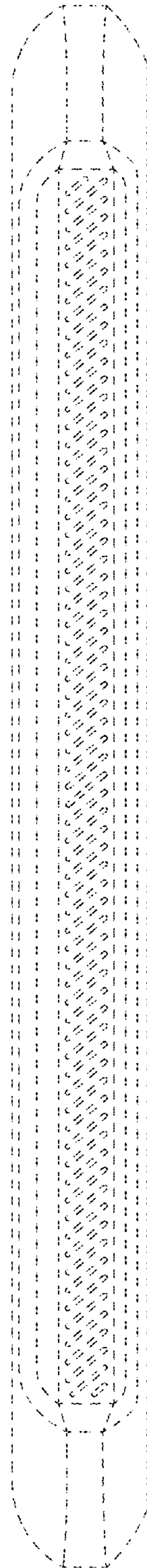


FIG. 6

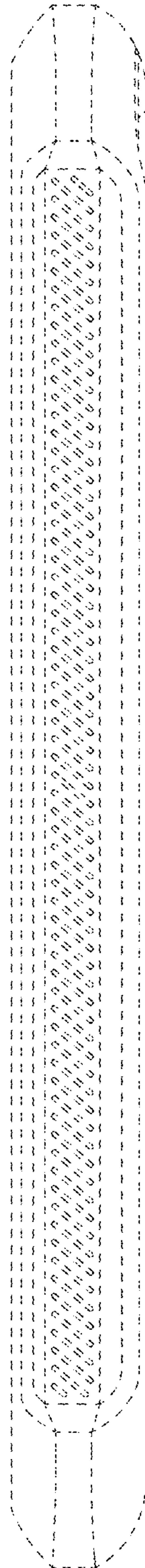


FIG. 7

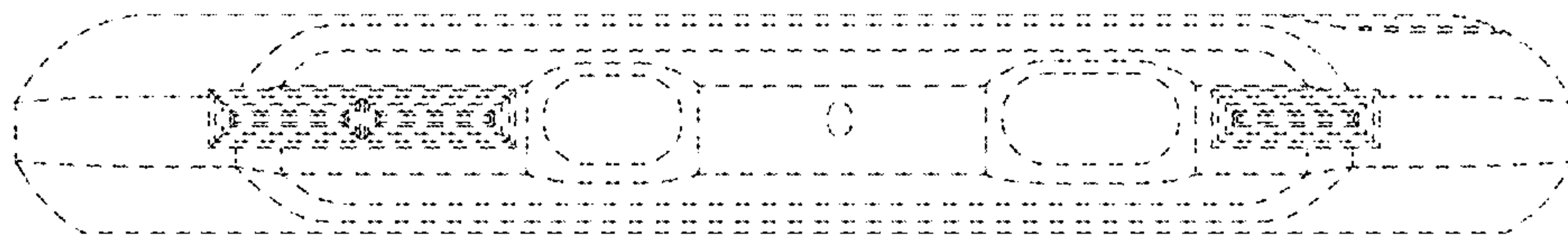


FIG. 8

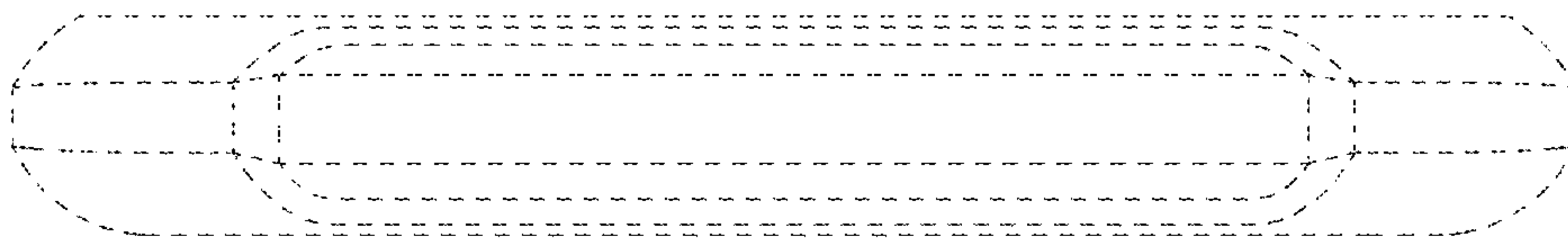


FIG. 9

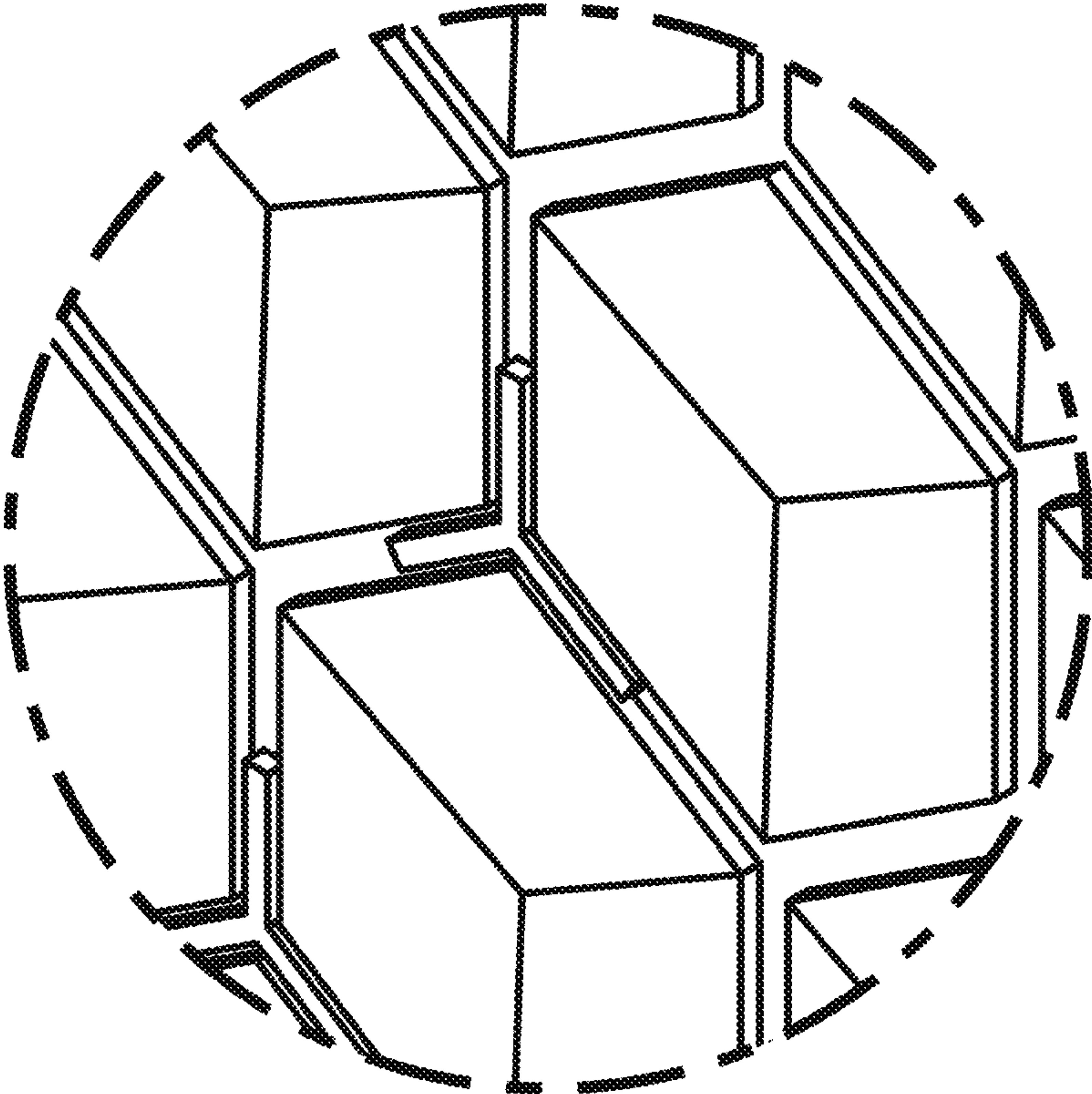


FIG. 10

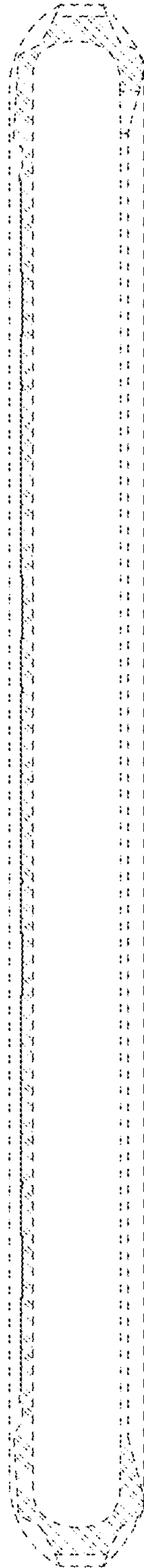


FIG. 11

