



US00D909389S

(12) **United States Design Patent** (10) **Patent No.:** **US D909,389 S**
Wall et al. (45) **Date of Patent:** **** Feb. 2, 2021**

(54) **DEVICE COVER**

FOREIGN PATENT DOCUMENTS

(71) Applicant: **Amazon Technologies, Inc.**, Seattle, WA (US)

JP D1638498 8/2019

(72) Inventors: **Tim Wall**, Sausalito, CA (US);
Jen-Yang Chang, Kaohsiung (CN)

OTHER PUBLICATIONS

(73) Assignee: **Amazon Technologies, Inc.**, Seattle, WA (US)

Canadian Office Action dated Sep. 9, 2019 for Canadian Design Application No. 185774, a counterpart of U.S. Appl. No. 29/661,335, 3 pages.

(**) Term: **15 Years**

Japanese Office Action dated Feb. 7, 2020 for Japanese Patent Application No. 2019-001239, a counterpart of U.S. Appl. No. 29/661,335, 3 pages.

(21) Appl. No.: **29/661,335**

Korean Office Action dated Sep. 9, 2019 for Korean Patent Application No. 30-2019-3938, a counterpart of U.S. Appl. No. 29/661,335, 4 pages.

(22) Filed: **Aug. 27, 2018**

* cited by examiner

(51) **LOC (13) Cl.** **14-02**

Primary Examiner — Cynthia R Underwood

(52) **U.S. Cl.**
USPC **D14/440**

(74) *Attorney, Agent, or Firm* — Lee & Hayes, P.C.

(58) **Field of Classification Search**
USPC D14/440; 206/45.23, 320, 45.2;
361/679.55; 294/25; 224/218
CPC G06F 1/626; A07B 23/044; H04B 1/3555;
H05K 5/0217
See application file for complete search history.

(57) **CLAIM**

The ornamental design for a device cover, as shown and described.

DESCRIPTION

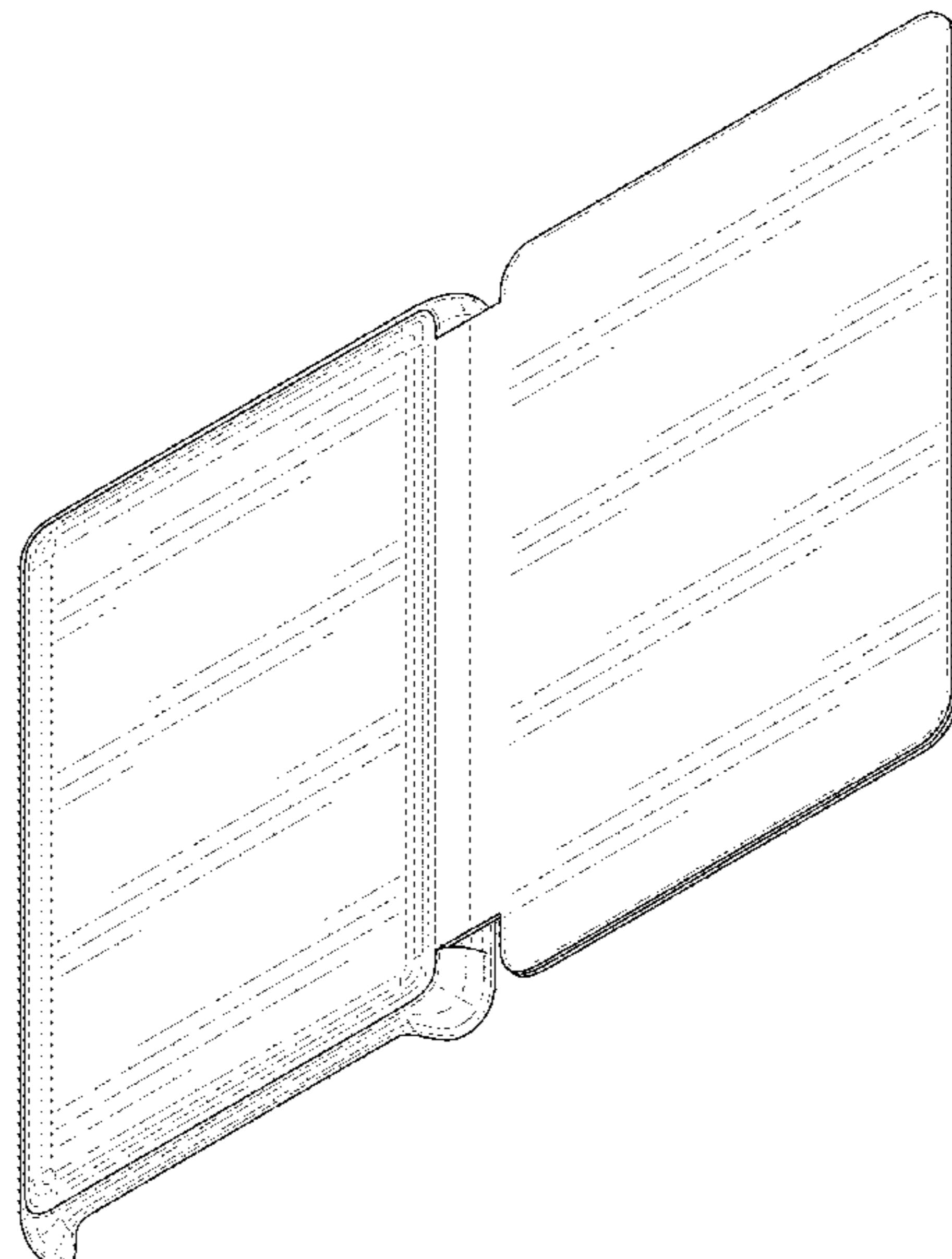
(56) **References Cited**

U.S. PATENT DOCUMENTS

D676,449 S *	2/2013	Probst	D14/440
D685,799 S *	7/2013	Canizares	D14/440
D685,800 S *	7/2013	Canizares	D14/440
D685,801 S *	7/2013	Canizares	D14/440
D685,802 S *	7/2013	Canizares	D14/440
D710,857 S *	8/2014	Mecchella	D14/440
D723,038 S *	2/2015	Kim	D14/440
D811,411 S *	2/2018	Moore	D14/440
D892,125 S *	8/2020	Ham	D14/440
2013/0015088 A1 *	1/2013	Wu	A45C 11/00 206/320

FIG. 1 is a front perspective view of a device cover;
FIG. 2 is a back perspective view thereof;
FIG. 3 is a front view thereof;
FIG. 4 is a back view thereof;
FIG. 5 is a left-side view thereof;
FIG. 6 is a right-side view thereof;
FIG. 7 is a top view thereof;
FIG. 8 is a bottom view thereof;
FIG. 9 is a front opened-state perspective view thereof; and,
FIG. 10 is a back opened-state perspective view thereof.
The dashed broken lines depict portions of the device that form no part of the claimed design. The dot-dashed broken lines represent boundaries of the claimed device cover and form no part of the claimed design.

1 Claim, 10 Drawing Sheets



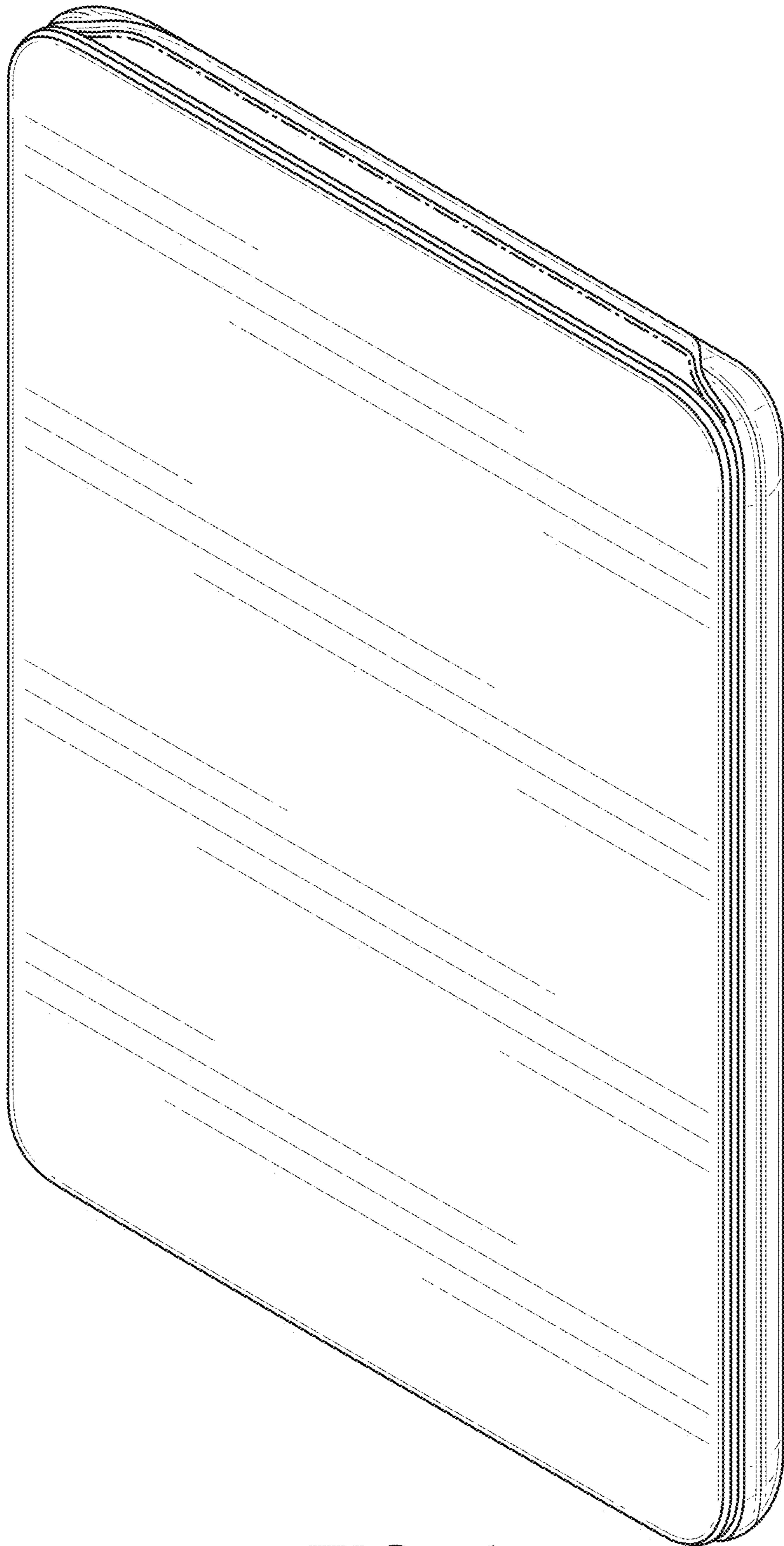


FIG. 1

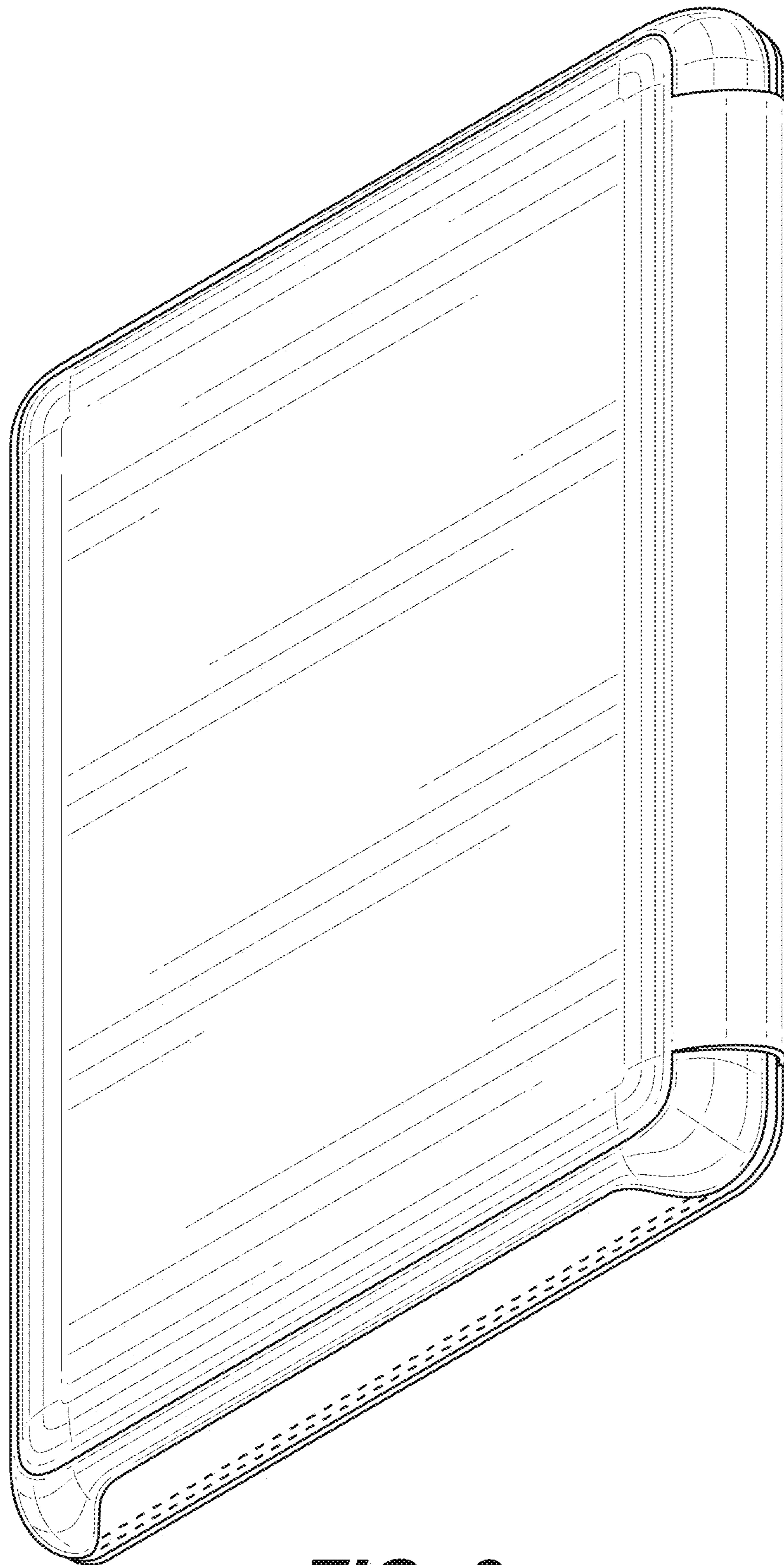


FIG. 2

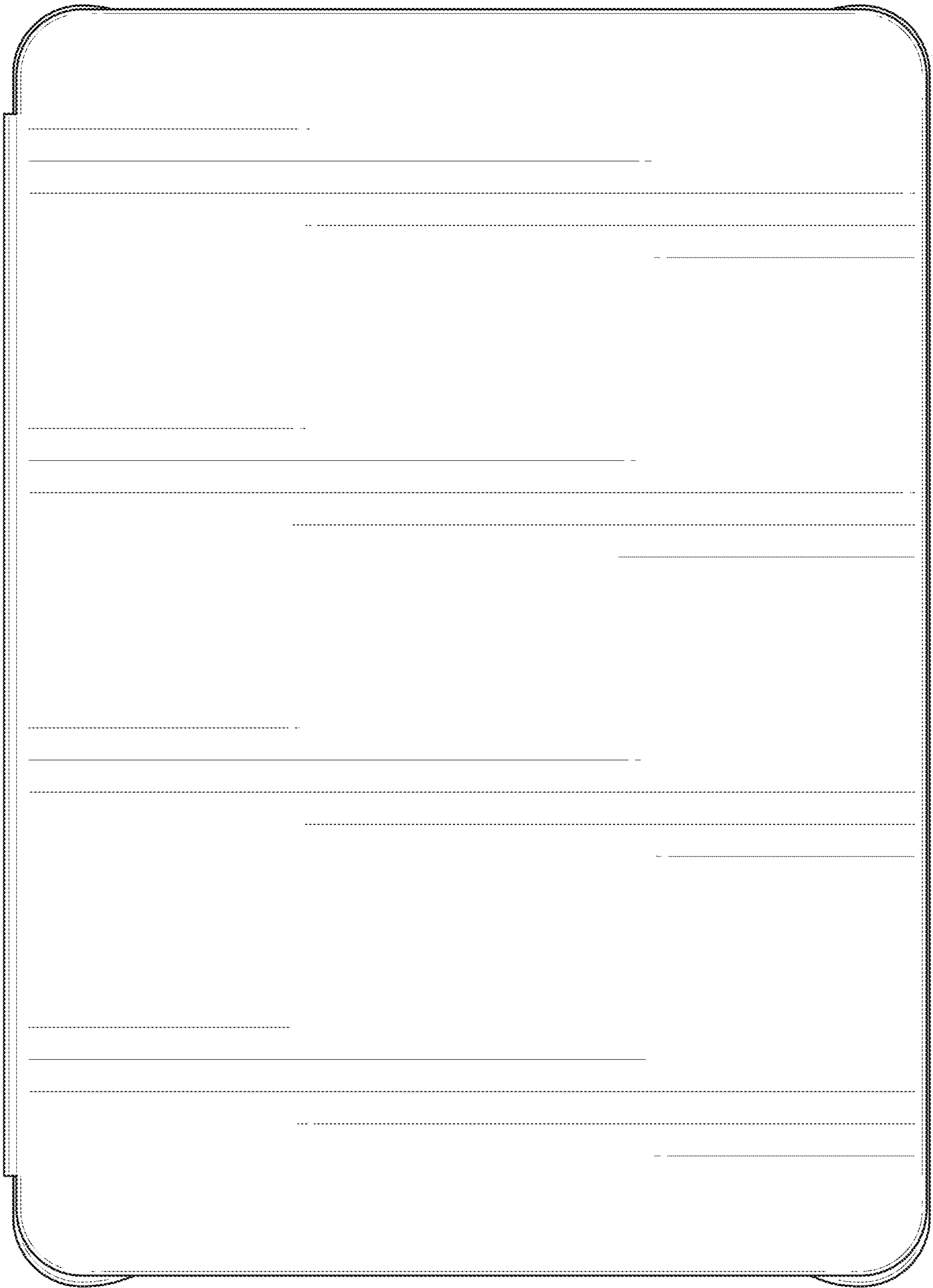


FIG. 3

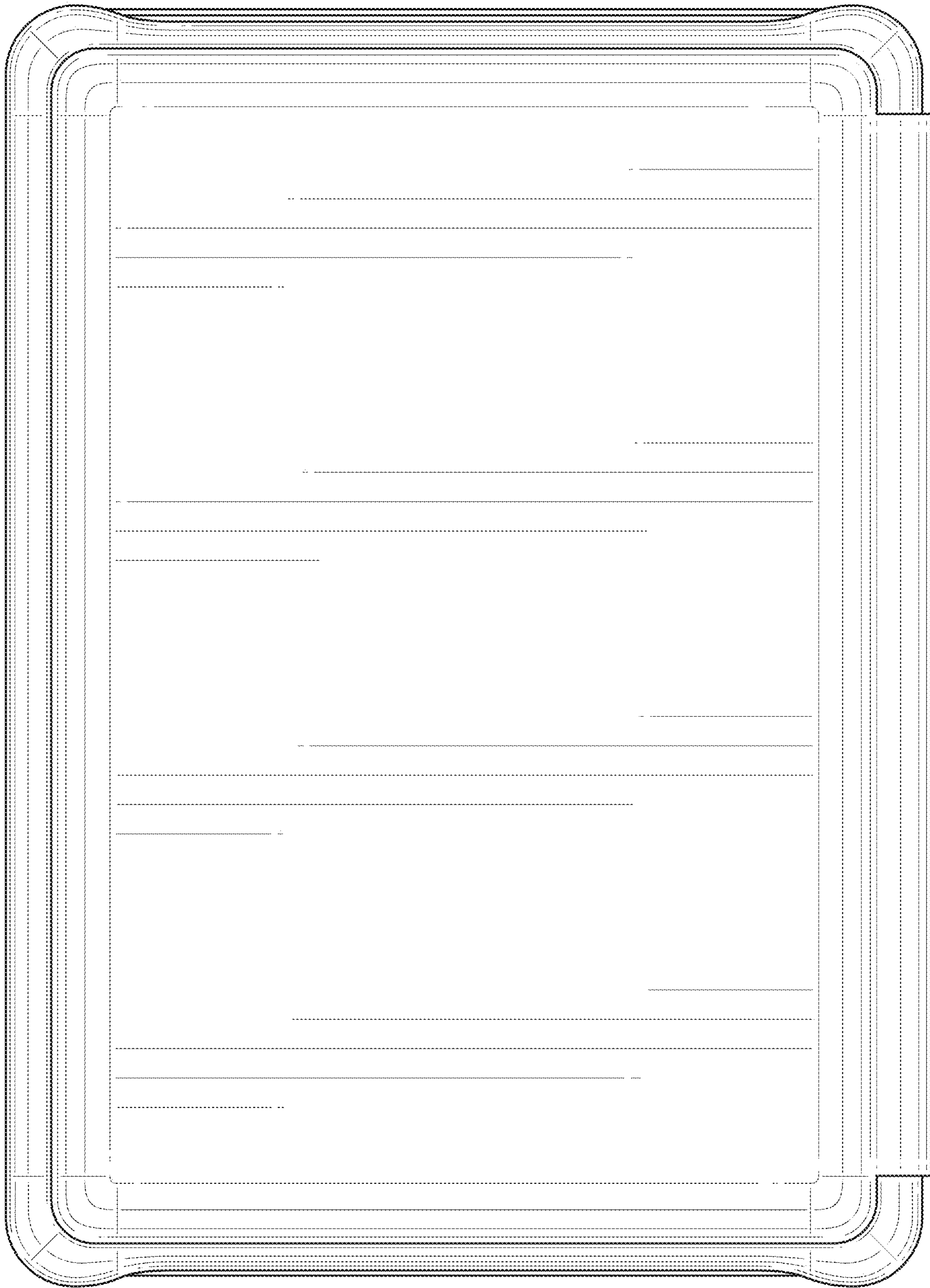


FIG. 4

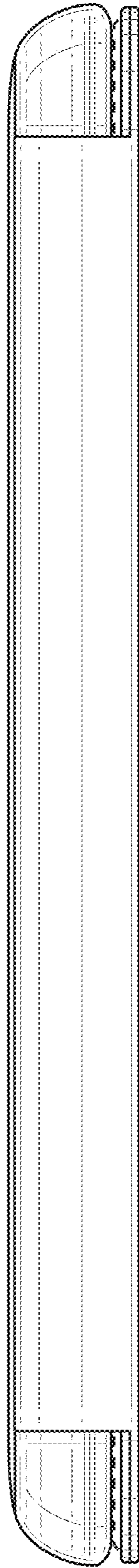


FIG. 5

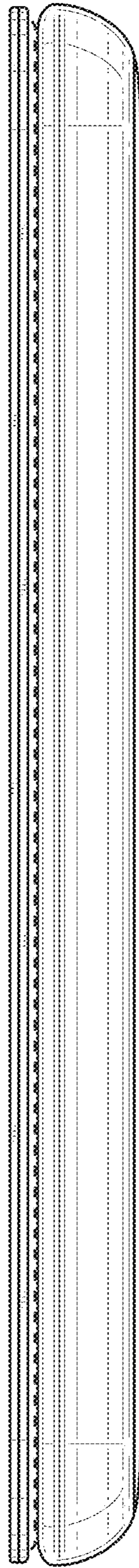


FIG. 6

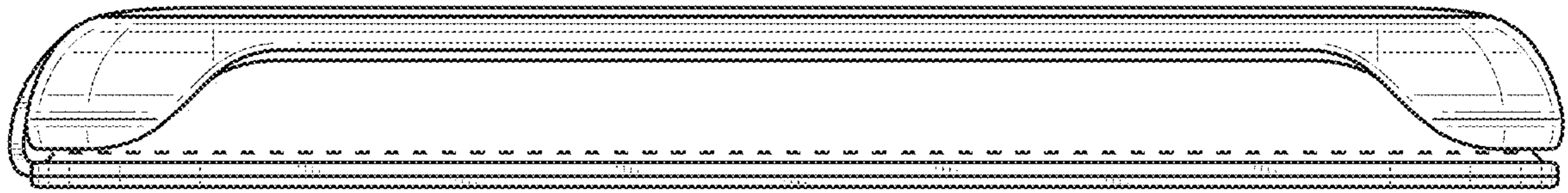


FIG. 7

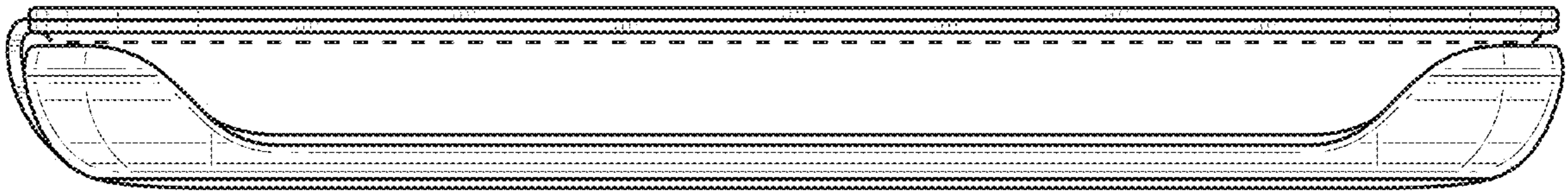


FIG. 8

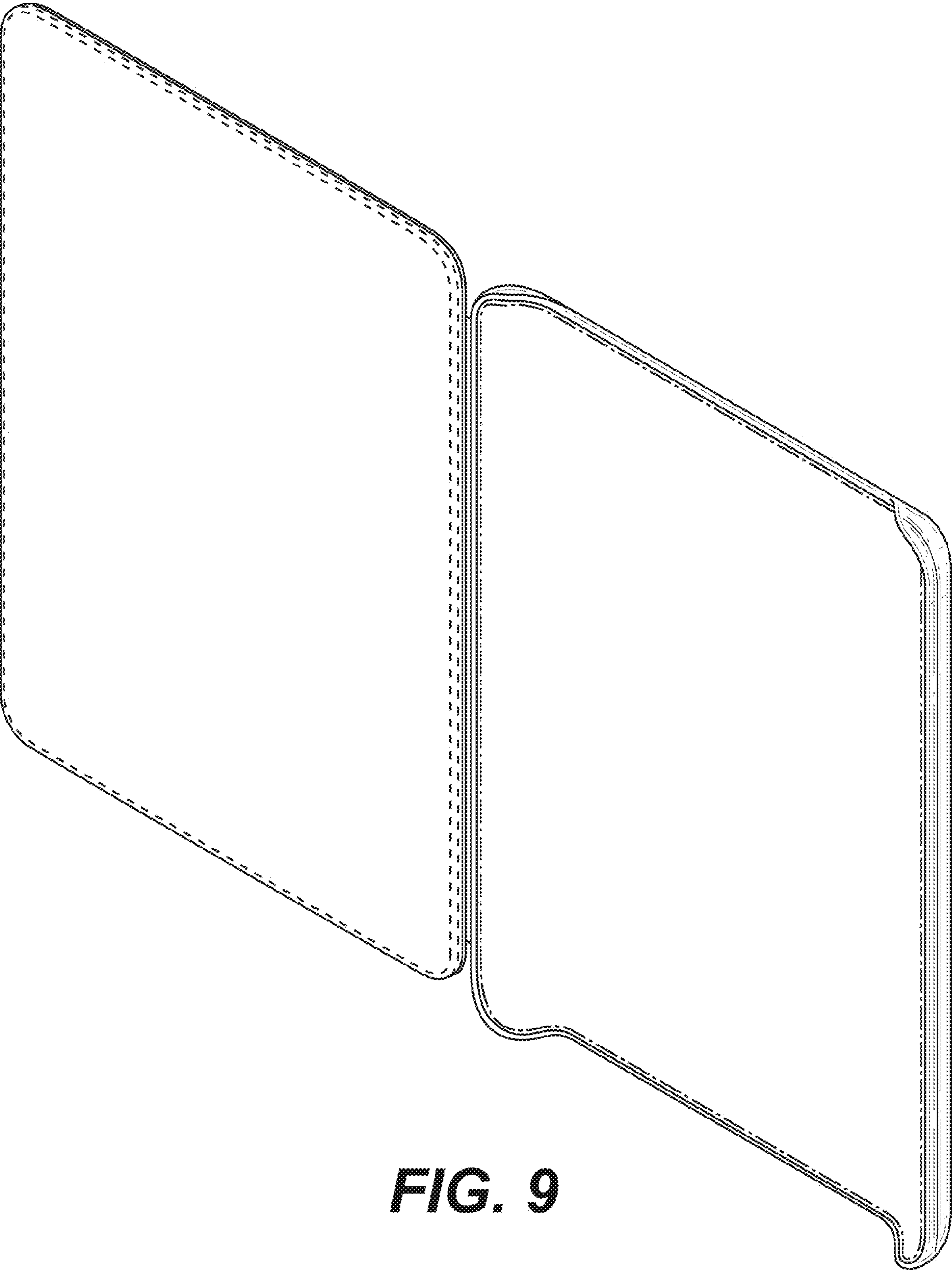


FIG. 9

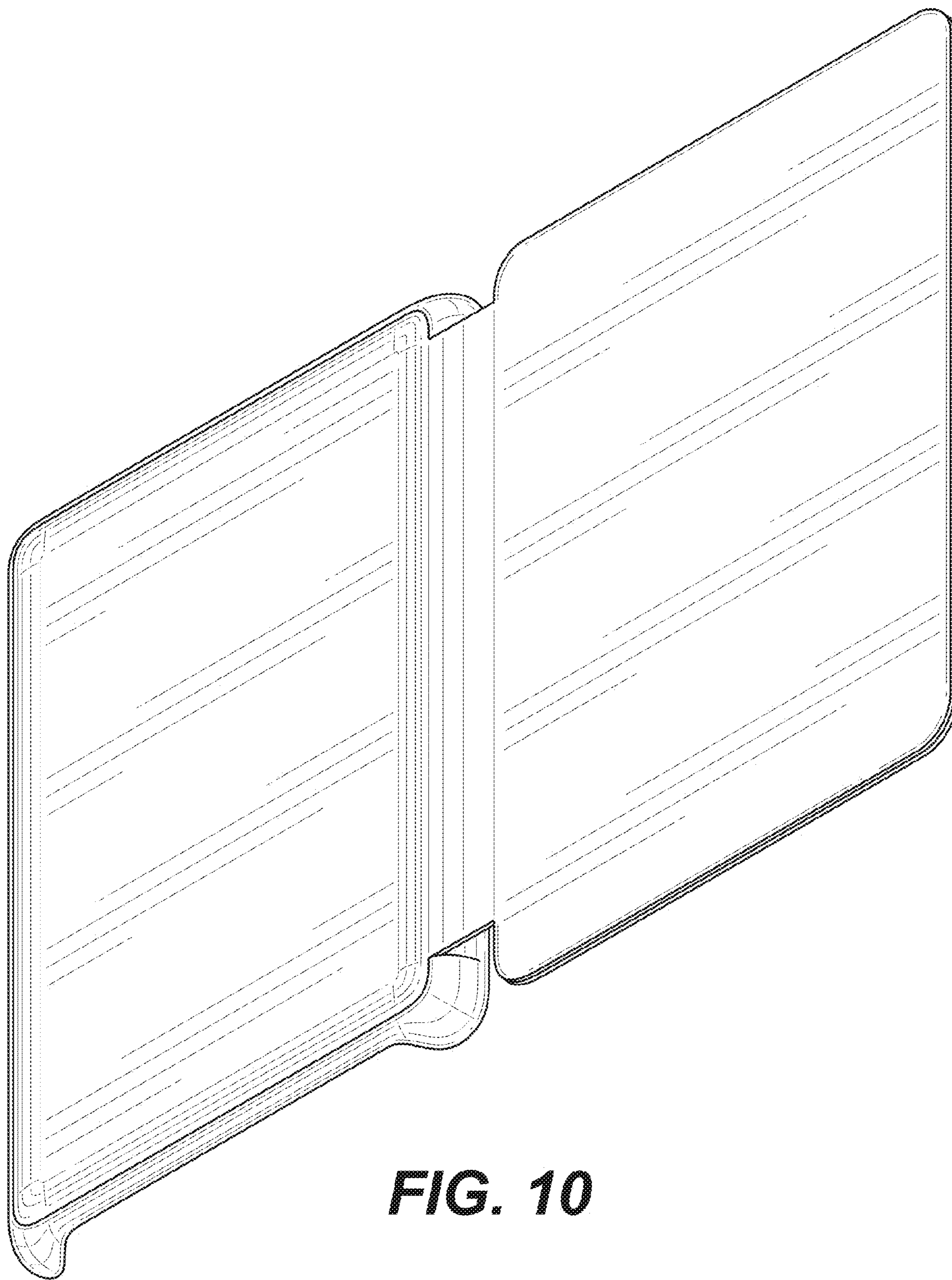


FIG. 10