



US00D909387S

(12) **United States Design Patent**
Turksu et al.

(10) **Patent No.:** **US D909,387 S**

(45) **Date of Patent:** **** Feb. 2, 2021**

(54) **HUB FOR SMART PHONE**

(71) Applicant: **SARIANA, LLC**, San Diego, CA (US)

(72) Inventors: **Alan Turksu**, San Diego, CA (US);
Mustafa Burak Guclu, San Diego, CA (US)

(73) Assignee: **SARIANA, LLC**, San Diego, CA (US)

(**) Term: **15 Years**

(21) Appl. No.: **29/699,803**

(22) Filed: **Jul. 29, 2019**

Related U.S. Application Data

(63) Continuation of application No. 29/668,265, filed on Oct. 29, 2018.

(51) **LOC (13) Cl.** **14-99**

(52) **U.S. Cl.**
USPC **D14/433**

(58) **Field of Classification Search**
USPC D14/240, 242, 356, 357, 358, 378, 383, D14/384, 385, 386, 433, 434, 435.1, D14/480.1, 480.4, 480.5, 217; D13/103, D13/107, 108, 110, 146, 147; D18/12, D18/12.1, 12.3

CPC H01R 25/003; H01R 25/006; H01R 27/02; H01R 31/005; H01R 13/60; H01R 13/6658; H01R 13/72; G06F 1/1607; G06F 1/1632; G06F 1/1684; G06F 13/382; G06F 13/4022

See application file for complete search history.

(56) **References Cited**

U.S. PATENT DOCUMENTS

1,165,840 A 12/1915 Brutus
1,359,347 A 11/1920 Fleisher
1,475,605 A 11/1923 Smith
1,550,588 A 8/1925 Soldani

1,646,562 A 10/1927 Snow
1,671,862 A 5/1928 Heinz
D137,618 S 4/1944 Rolfes
D147,151 S 7/1947 Schinske
2,436,292 A 2/1948 De Mott
2,629,023 A 2/1953 La Fitte
D182,462 S 4/1958 Gallion

(Continued)

FOREIGN PATENT DOCUMENTS

EM 006364378-0001 * 4/2019

OTHER PUBLICATIONS

Satechi Type-C USB 3.0 3-In-1 Combo Hub, online, no post date, URL: <https://satechi.net/collections/all/products/satechi-type-c-usb-3-0-3-in-1-combo-hub>, retrieved Dec. 16, 2019.*

(Continued)

Primary Examiner — Angela J Lee

Assistant Examiner — Rebekah A Caruso

(74) *Attorney, Agent, or Firm* — Wagenknecht IP Law Group, PC

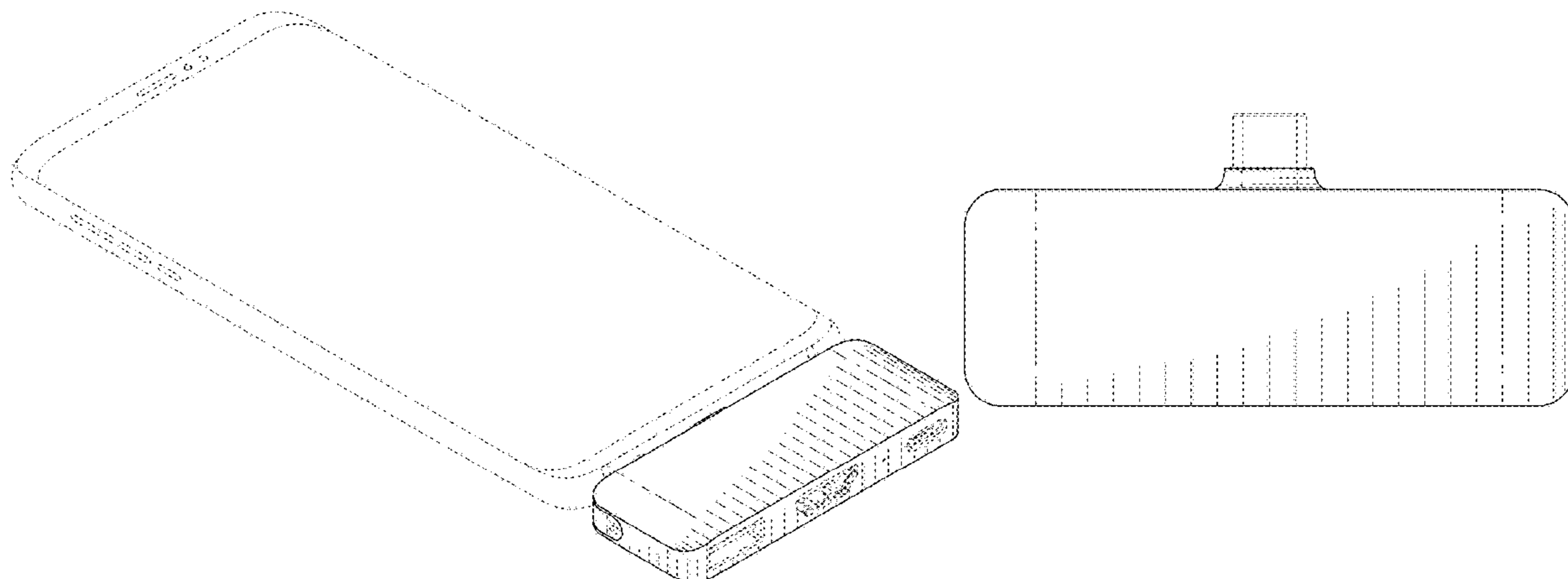
(57) **CLAIM**

What is claimed is the ornamental design for a hub for smart phone, as shown and described.

DESCRIPTION

FIG. 1 is a top, front, right perspective view of a hub for smart phone showing our new design; FIG. 2 is a top plan view thereof; FIG. 3 is a bottom plan view thereof; FIG. 4 is a right side elevational view thereof; FIG. 5 is a left side elevational view thereof; FIG. 6 is a rear elevational view thereof; and, FIG. 7 is a front elevational view thereof; wherein the broken lines are for illustrative purposes only and form no part of the claimed design.

1 Claim, 3 Drawing Sheets



(56)

References Cited

U.S. PATENT DOCUMENTS

2,878,324 A	3/1959	Guerrero	D599,331 S	9/2009	Bentley et al.
2,987,585 A	6/1961	Abysalh	D600,925 S	9/2009	Gulley
3,224,644 A	12/1965	Davis	D601,564 S	10/2009	Maeno
3,693,923 A	9/1972	Ayoub et al.	D602,008 S	10/2009	Bentley et al.
3,695,568 A	10/1972	Hogrebe	D602,911 S	10/2009	Wang et al.
D227,117 S	6/1973	Breger	D602,917 S	10/2009	Bentley
D230,014 S	1/1974	Edgell, Sr.	D602,940 S	10/2009	McLean
4,060,697 A	11/1977	Neal	D604,725 S	11/2009	Chen
D254,594 S	4/1980	Picard	D606,549 S	12/2009	He
D273,840 S	5/1984	Morita	D610,156 S	2/2010	Mudrick
4,527,018 A	7/1985	Offredi	D627,306 S	11/2010	Charleux
D285,772 S	9/1986	Oliver	7,841,876 B2	11/2010	Lin et al.
D286,636 S	11/1986	Cooke et al.	D635,978 S	4/2011	Chen
4,856,746 A	8/1989	Wrobel et al.	D641,753 S	7/2011	Obata
D308,870 S	6/1990	Rioux, Jr.	D642,585 S	8/2011	Lan et al.
D320,992 S	9/1991	Jondelius	D645,027 S	9/2011	Gougherty et al.
5,095,382 A	3/1992	Abe	D646,682 S	10/2011	Lim et al.
D325,578 S	4/1992	Daido et al.	D658,640 S	5/2012	Ivaskevicius
D329,370 S	9/1992	Manning	D659,094 S	5/2012	Brand et al.
5,144,290 A	9/1992	Honda et al.	D659,638 S *	5/2012	Wang D13/108
5,367,570 A	11/1994	Figueroa	D661,249 S	6/2012	Smith et al.
D353,532 S	12/1994	Miller	D662,089 S	6/2012	Gougherty et al.
D355,913 S	2/1995	Chong	D664,146 S	7/2012	Hoehn et al.
D357,016 S	4/1995	Li et al.	D665,734 S	8/2012	Fitch et al.
D357,248 S	4/1995	Cheng	D669,473 S	10/2012	Gronau et al.
D361,987 S	9/1995	Yamazaki	D669,888 S	10/2012	Gougherty et al.
D369,149 S	4/1996	Chang et al.	D670,291 S	11/2012	Dalton
D371,793 S	7/1996	Patton	D670,297 S	11/2012	Huang
D387,784 S	12/1997	Nakamura	D671,096 S	11/2012	Song et al.
D395,280 S	6/1998	Phelps	D671,528 S	11/2012	Fathollahi
D400,429 S	11/1998	Morita	D677,259 S	3/2013	van der Lande
D405,064 S	2/1999	Iino	D678,286 S	3/2013	Cheng
D407,985 S	4/1999	Pimental	D683,251 S	5/2013	Dumas et al.
D413,574 S	9/1999	Goto	D684,145 S	6/2013	Rath
D426,491 S	6/2000	Chan	D685,806 S	7/2013	Kim et al.
D430,882 S	9/2000	Tsai	D687,009 S	7/2013	Song et al.
D432,496 S	10/2000	Collins	D688,198 S	8/2013	Takeshita et al.
D433,005 S	10/2000	McGugan	D688,248 S	8/2013	Tsuda et al.
D435,835 S	1/2001	Steck	D688,255 S	8/2013	Daniel
D438,451 S	3/2001	Reiter	8,512,079 B2	8/2013	Vroom et al.
D441,639 S	5/2001	Reiter	D689,858 S	9/2013	Lo et al.
6,321,340 B1	11/2001	Shin et al.	D690,707 S	10/2013	Minn et al.
D461,400 S	8/2002	Aoki	D691,879 S	10/2013	Bernard
D461,794 S	8/2002	Polito et al.	D691,947 S	10/2013	Cole et al.
D464,482 S	10/2002	Shiu	D692,024 S	10/2013	Seong et al.
D464,562 S	10/2002	Reiter	D693,768 S	11/2013	Alesi et al.
D464,972 S	10/2002	Carrasco, Jr.	D696,673 S	12/2013	Vogel
D478,086 S	8/2003	Chuang	D700,904 S	3/2014	Miller et al.
D478,087 S	8/2003	Aldridge	D701,838 S	4/2014	Esses
6,612,534 B2	9/2003	Hennessey	D702,146 S	4/2014	Giovanni
D482,674 S	11/2003	Rath et al.	D702,242 S	4/2014	Tsuda et al.
D484,128 S	12/2003	Chung	D703,676 S	4/2014	Smith et al.
D492,307 S	6/2004	Aqqad et al.	D704,177 S	5/2014	Chun et al.
D496,029 S	9/2004	Skulley et al.	D705,189 S	5/2014	Chovin et al.
D511,985 S	11/2005	Kelly, Jr.	D705,748 S	5/2014	He
D512,417 S	12/2005	Hirakawa et al.	D706,248 S	6/2014	Myung et al.
D515,040 S	2/2006	Jones et al.	D706,249 S	6/2014	Holzer
D518,030 S	3/2006	Lin	8,758,032 B2	6/2014	Liang et al.
D522,531 S	6/2006	Solomon et al.	D709,066 S	7/2014	Byun
D526,973 S	8/2006	Gates et al.	D709,892 S	7/2014	Lui
D530,525 S	10/2006	Greene, II	8,777,656 B2	7/2014	Kuo et al.
D553,106 S	10/2007	Griffin	D711,884 S	8/2014	Turksu et al.
D554,115 S	10/2007	Liu et al.	8,838,029 B2	9/2014	Goldman et al.
D559,848 S	1/2008	Siu	D715,132 S	10/2014	McSweyn et al.
D559,849 S	1/2008	Siu	D715,797 S	10/2014	Hiraga
D559,850 S	1/2008	Lye	D717,803 S	11/2014	Takano et al.
D560,165 S	1/2008	Matityahu et al.	D718,612 S	12/2014	McSweyn et al.
D561,345 S	2/2008	Flick	D720,691 S	1/2015	Lo et al.
D564,501 S	3/2008	Rath	D720,755 S	1/2015	Nokuo
D580,436 S	11/2008	Kiyomiya et al.	D724,080 S	3/2015	Lin et al.
7,499,271 B2	3/2009	Wagatsuma et al.	D725,088 S	3/2015	Kwak et al.
D591,270 S	4/2009	Jakobson et al.	D726,161 S	4/2015	Howard et al.
D593,103 S	5/2009	Richter	D727,906 S	4/2015	Neumann
D593,998 S	6/2009	Bentley et al.	D728,467 S	5/2015	Hasbrook
D595,697 S	7/2009	Mao et al.	D729,277 S	5/2015	Uchida
			D729,773 S	5/2015	Salojarvi et al.
			D733,043 S	6/2015	Hasbrook et al.
			D733,144 S	6/2015	Kostrzewski et al.
			D733,773 S	7/2015	Lee et al.

(56)

References Cited

U.S. PATENT DOCUMENTS

D736,150 S 8/2015 Liu
 D737,201 S 8/2015 Liu
 D739,708 S 9/2015 McSweyn et al.
 D740,291 S 10/2015 Turksu et al.
 D743,382 S 11/2015 Katori
 D743,924 S 11/2015 Hillenmayer et al.
 D743,954 S 11/2015 Chuang et al.
 D746,165 S 12/2015 Li
 D746,166 S 12/2015 Li
 D747,229 S 1/2016 Perez
 D747,984 S 1/2016 Zhao et al.
 D750,083 S 2/2016 Chow
 D750,612 S 3/2016 Chen
 D750,633 S 3/2016 Min et al.
 D751,527 S 3/2016 Hinokio et al.
 D751,564 S 3/2016 Hahn et al.
 D753,090 S 4/2016 Langhammer et al.
 D754,131 S 4/2016 Shim
 D756,367 S 5/2016 Kim
 D762,170 S * 7/2016 Lei D13/108
 D765,623 S 9/2016 Yang et al.
 D765,651 S 9/2016 Liu et al.
 D766,844 S 9/2016 Turksu et al.
 D767,486 S 9/2016 Yu
 9,441,659 B2 9/2016 Ortwein
 D769,860 S 10/2016 Xiao
 D772,216 S 11/2016 Lau
 D772,879 S 11/2016 Eliyahu
 D774,514 S 12/2016 Turksu et al.
 D775,534 S 1/2017 Turksu et al.
 D776,659 S 1/2017 Hou
 D778,714 S 2/2017 McSweyn et al.
 D779,478 S 2/2017 Justiss et al.
 D779,493 S 2/2017 Eliyahu
 D780,168 S 2/2017 Du
 D780,186 S 2/2017 Lee
 D780,901 S 3/2017 Huang
 D781,297 S 3/2017 Liao
 D782,476 S 3/2017 Yamazaki
 D782,485 S 3/2017 Cai
 D783,592 S 4/2017 Ju
 D786,874 S 5/2017 Eliyahu
 D786,885 S 5/2017 Eliyahu
 D788,080 S 5/2017 Turksu et al.
 D788,112 S 5/2017 Liao
 D789,348 S 6/2017 Kim
 9,690,743 B2 6/2017 Eligahu
 D793,397 S 8/2017 Eliyahu
 D794,028 S 8/2017 Lin
 D795,876 S 8/2017 Fletcher et al.
 D797,747 S 9/2017 Xu
 D798,301 S 9/2017 Kujawski et al.
 D798,811 S 10/2017 Liao
 D799,423 S 10/2017 Eliyahu
 D799,463 S 10/2017 Deng
 D799,464 S 10/2017 Zaihui
 D800,730 S 10/2017 Liao
 D807,290 S * 1/2018 Liao D13/110
 D812,577 S 3/2018 Turksu et al.
 D813,805 S 3/2018 Zhong et al.
 D813,875 S 3/2018 Liao
 D814,413 S 4/2018 Zhong
 D815,639 S 4/2018 Lau
 D816,027 S 4/2018 Chen
 D816,030 S 4/2018 Sumida
 D820,264 S 6/2018 Lai et al.
 D826,942 S 8/2018 Lu
 10,045,568 B2 * 8/2018 Monsees A61M 11/042
 10,058,130 B2 * 8/2018 Monsees A24B 15/167
 D828,354 S * 9/2018 Chuang D14/433
 D828,839 S 9/2018 Zhang
 D828,840 S 9/2018 Zhang
 D828,841 S 9/2018 Zhang
 D829,215 S 9/2018 Magargee et al.
 D829,216 S 9/2018 Belitz et al.

D829,725 S 10/2018 Luo
 D830,366 S * 10/2018 Turksu D14/433
 D836,640 S 12/2018 Hou
 D839,869 S 2/2019 Wang
 D839,876 S 2/2019 Turksu et al.
 D844,618 S * 4/2019 Liao D14/434
 D847,139 S * 4/2019 Wang D14/433
 D855,054 S * 7/2019 Turksu D14/433
 D855,616 S * 8/2019 Chin D14/433
 D862,474 S * 10/2019 Liu D14/433
 D864,205 S * 10/2019 Wang D14/433
 D864,208 S * 10/2019 Duan D14/433
 D864,964 S * 10/2019 Lyu D14/433
 D866,557 S * 11/2019 Xiong D14/433
 D869,467 S * 12/2019 Lin D14/434
 D878,375 S * 3/2020 Turksu D14/433
 D879,102 S * 3/2020 Turksu D14/433
 2002/0003875 A1 1/2002 Stewart et al.
 2003/0148656 A1 * 8/2003 Huang H01R 13/6658
 439/501
 2005/0245254 A1 11/2005 Hall
 2006/0085584 A1 * 4/2006 Chen G06F 1/1632
 710/303
 2010/0315041 A1 12/2010 Tan
 2012/0255505 A1 10/2012 Gauthier
 2013/0072042 A1 3/2013 Liao
 2013/0130524 A1 5/2013 Wang
 2013/0224976 A1 8/2013 Yu et al.
 2013/0272775 A1 10/2013 Ortwein
 2013/0292481 A1 11/2013 Filson et al.
 2014/0138419 A1 5/2014 Minn et al.
 2015/0171386 A1 * 6/2015 Yang H01M 2/1022
 429/163
 2017/0035172 A1 2/2017 Kim
 2017/0170858 A1 6/2017 Tiller et al.
 2017/0223862 A1 8/2017 Justiss et al.

OTHER PUBLICATIONS

Satechi Type-c USB 3.0: 3 in 1 Combo Hub for MacBook, Buy Valuable Stuff online, post date Oct. 15, 2017, URL: <https://buyvaluablestuff.com/satechi-type-c-usb-3-0-3-in-1-combo-hub/>, retrieved Dec. 16, 2019.*
 Aceluxe Arm R1 Hinge Holder Stand For Table Device and Any Smartphone, amazon online, no post date, [URL: <https://uedata.amazon.com/Aceluxe-Holder-Tablet-Device-Smartphone/dp/B014115SYY>] [Retreived from Internet on Feb. 12, 2019].
 Pecham Multi-Angle Stand for Cell Phone, amazon online, first review with picture posted Jun. 28, 2017 [URL: <https://www.amazon.com/PECHAM-Multi-Angle-Nintendo-Smartphones-Universal/dp/B072JCY5XY>] [Retreived from Internet on Feb. 12, 2019].
 Sariana, LLC, US Registration No. 5,134,820, Jan. 31, 2017.
 Satechi Aluminum Multi-Port Adapter V2-4K HDMI, Satechi, first listed on amazon.com on Sep. 7, 2017, retrieved on Dec. 3, 2018, [retrieved from the Internet] URL: https://www.amazon.com/Satechi-Aluminum-Multi-Port-Ethernet-Pass-Throught/dp/B075FW7H5J/ref=sr_1_3?ie=UTF8&qid=1543853703&sr=8-3&keywords=satechi+adapter.
 Satechi R1 Arm Series Review, YouTube online, post date Mar. 27, 2012, [URL: <https://www.youtube.com/watch?v=edjrfelhElk>].
 Turksu et al. "Certificate of Registration for European Community Design Registration No. 003618826-0001," Registration Date: Jan. 11, 2017. EUIPO.
 Turksu et al. "Certificate of Registration for European Community Design Registration No. 003618834-0001," Registration Date: Jan. 11, 2017. EUIPO.
 Ugreen USB C Hub VGA Type C Multiport Adapter, Ugreen, first available on amazon.com on Apr. 7, 2018, retrieved on Dec. 3, 2018, [retrieve from the Internet], URL: <https://www.amazon.com/UGREEN-Multiport-Delivery-ie=UTF8&qid=1543851422&sr=8-1spons&keywords=ugreen+adapte>.
 Wong, Thomas. "Quick Look: Satechi Premium 4 Port Aluminum," [retrieved from Internet] <http://iSource.com/2012/07/04/quick-look->

(56)

References Cited

OTHER PUBLICATIONS

satechi-premium-4-port-aluminum-usb-hub/ , Jul. 4, 2012 [retrieved from Internet on Nov. 1, 2017] 13 pgs.

* cited by examiner

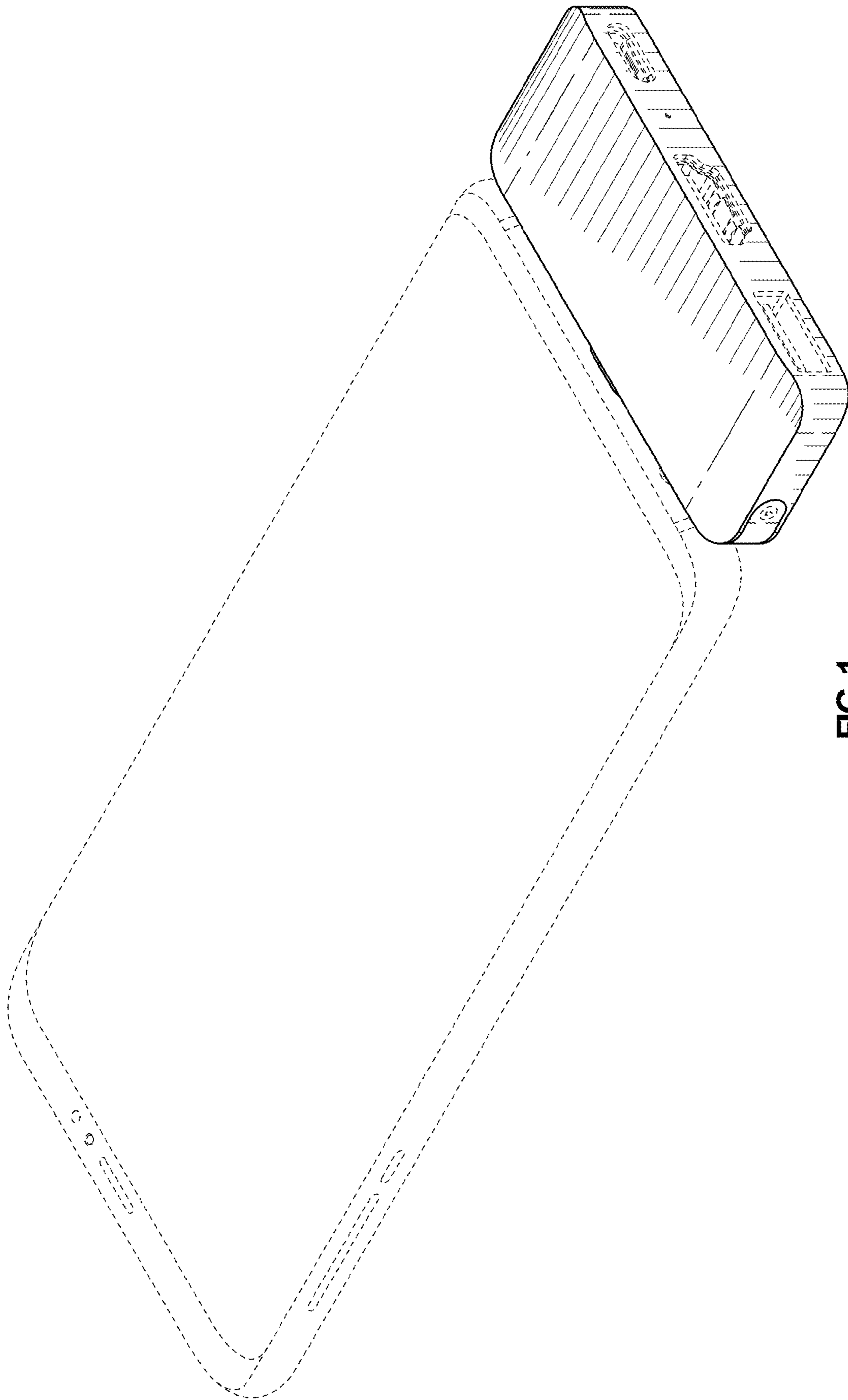


FIG. 1

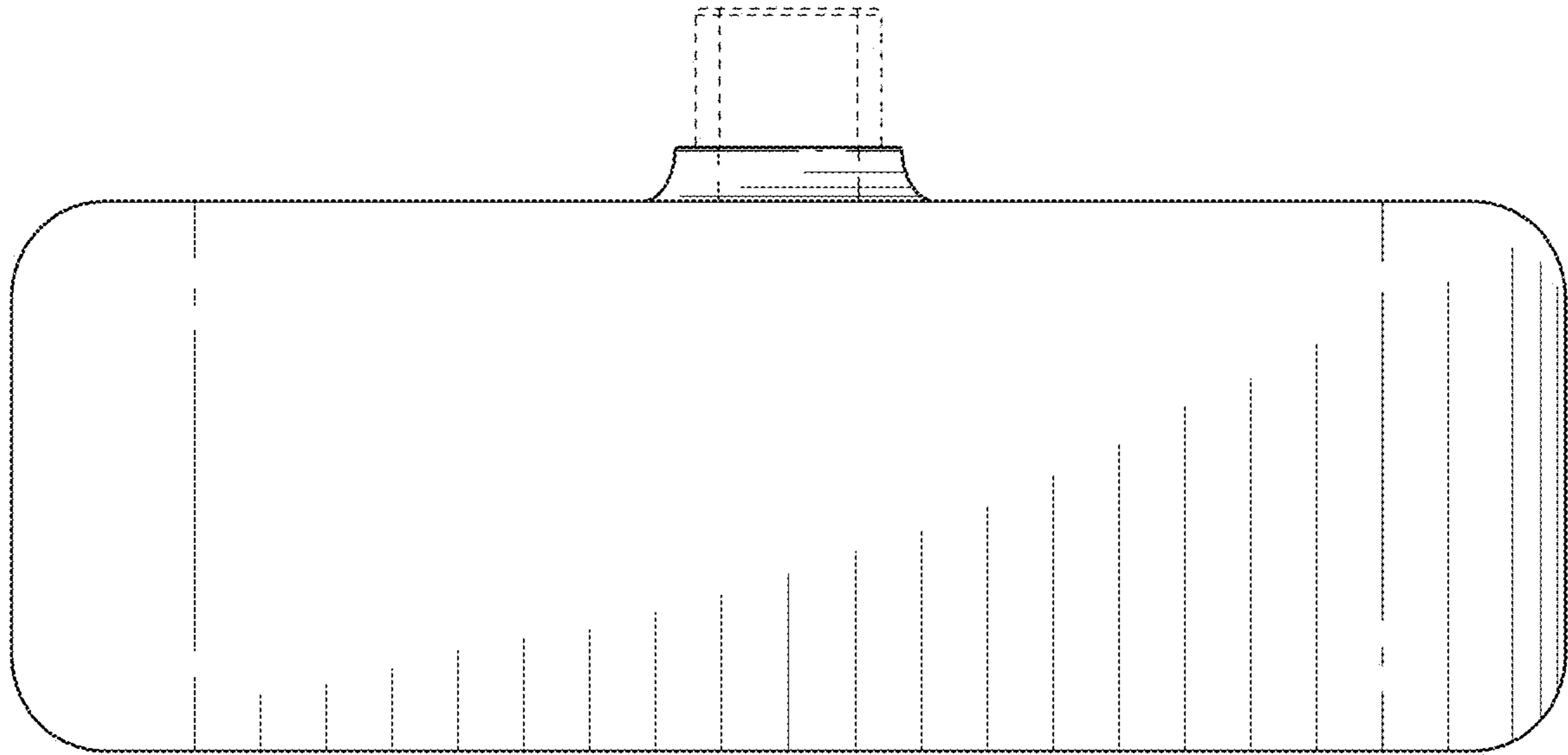


FIG. 2

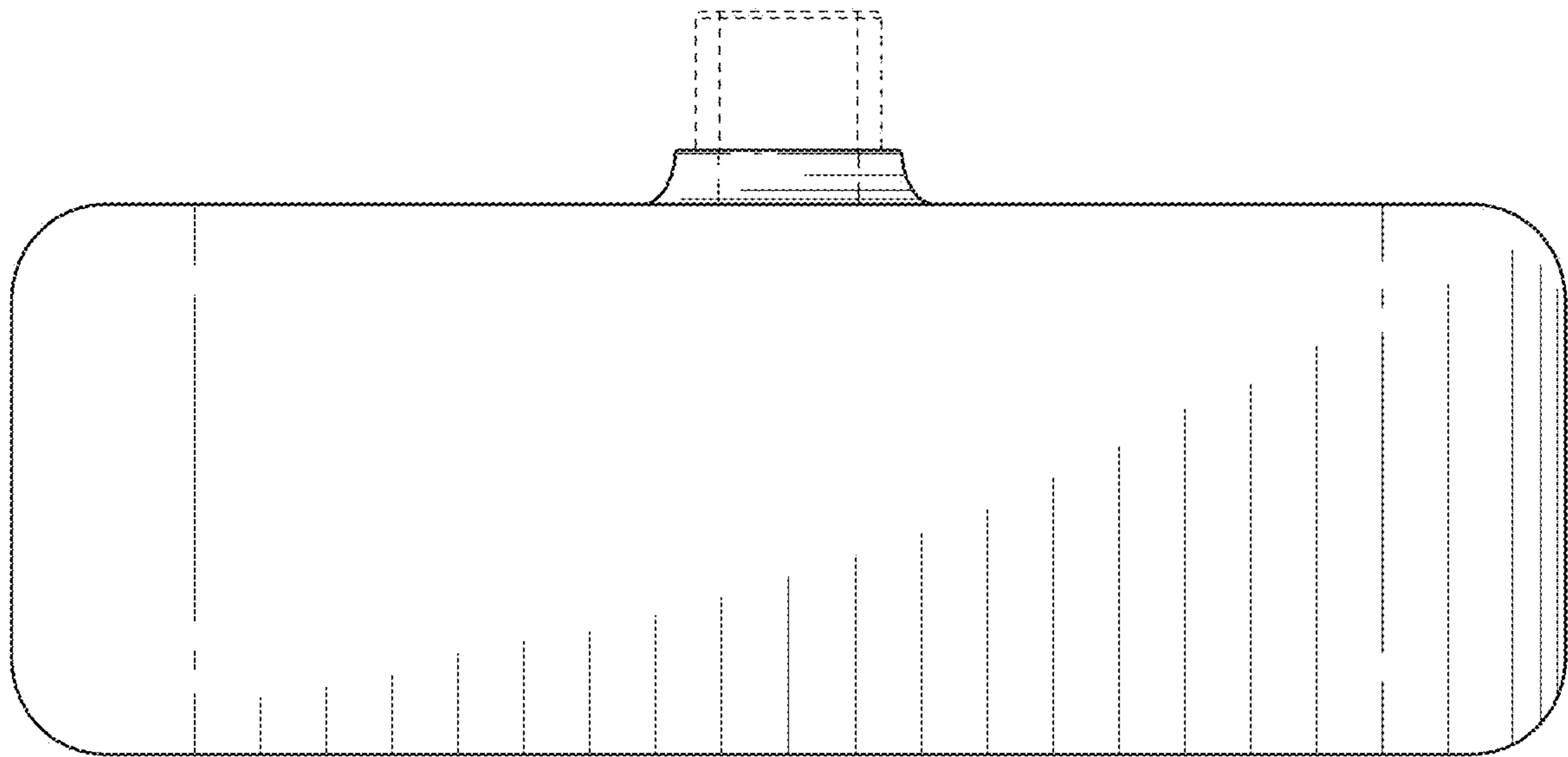


FIG. 3

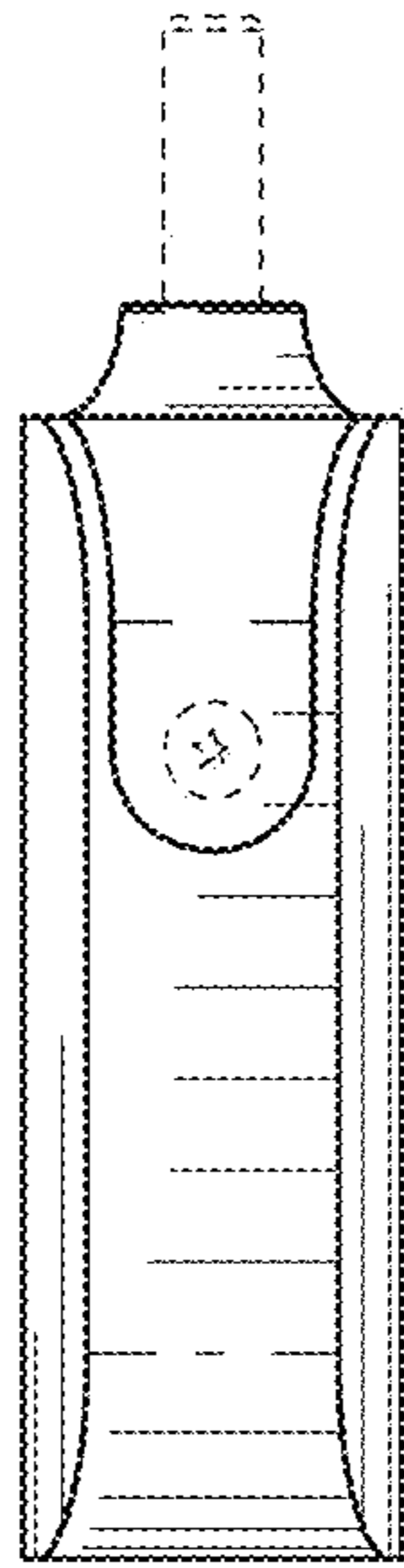


FIG. 4

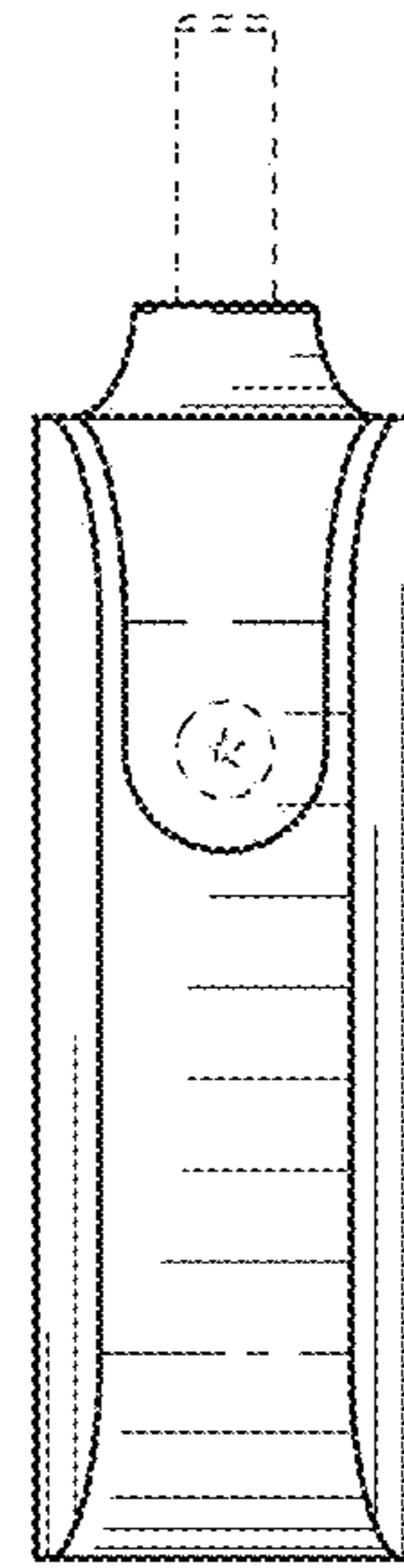


FIG. 5

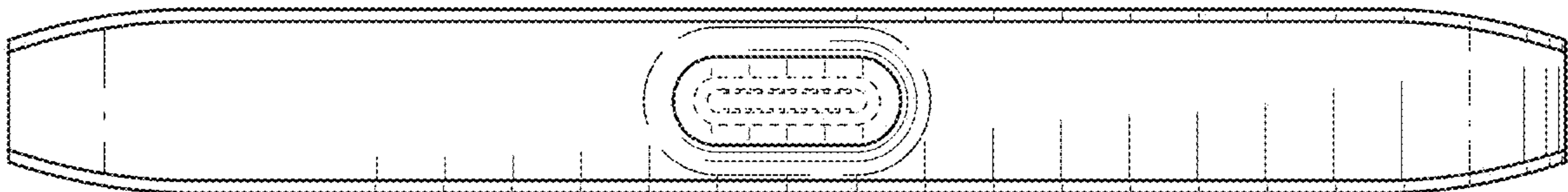


FIG. 6

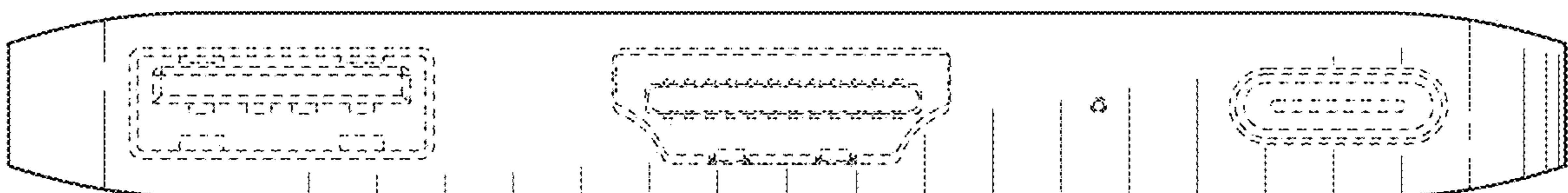


FIG. 7